

F01 LIGHTS 灯具



POSITION NO.	CODE	CN DESCRIPTION	EN DESCRIPTION	QYT / UNIT	REMARKS
F01-01	TJB33100A1A00	前照灯总成	HEADLIGHT ASSY	1	
F01-02	TJB33550A0A00	前左转向灯	WINKER, FRONT, LH	1	
F01-03	TJB33510A0A00	前右转向灯	WINKER, FRONT, RH	1	
F01-04	TJB33650A0A00	后左转向灯	WINKER, REAR, LH	1	
F01-05	TJB33610A0A00	后右转向灯	WINKER, REAR, RH	1	
F01-06	TJB30700A1A00	左尾灯总成	TAILLIGHT ASSY, LH	1	
F01-07	TJB33700A1A00	右尾灯总成	TAILLIGHT ASSY, RH	1	
F01-08	QLL33760A1A00	牌照灯组合	LIGHT COMP., LICENSE PLATE	1	

F02 FRONT WINDSHIELD & METER ASSY 前挡风板、仪表总成



POSITION NO.	CODE	CN DESCRIPTION	EN DESCRIPTION	QYT / UNIT	REMARKS
F02-01	TJB43211A0A00	挡风板	WINDSHIELD	1	WITHOUT STICKER
F02-01-01	TJB59316B1A00	前挡风板贴花	WINDSHIELD LABEL - "WMOTO"	1	
F02-02	TJB43820A0A00	挡风板支架组件	STAY SET, WINDSHIELD	1	
F02-03	TJB37911A0A00	仪表安装支架	BRACKET, METER	1	
F02-04	TJB49720A0A00	前挡风板安装压板组件	PLATE SET, FRONT WINDSHIELD	2	
F02-05	TJB93216A0N07	锁紧螺母	LOCKNUT	2	
F02-06	TJB37000A1A00	仪表总成	METER ASSY	1	

F03 MANTLE ASSY FRAME I 车体护罩总成 I



POSITION NO.	CODE	CN DESCRIPTION	EN DESCRIPTION	QYT / UNIT	REMARKS
F03-01	TJB43111A0A00	前照灯护罩	HOUSING, HEADLIGHT	1	
F03-02	TJB43117A0W01	前照灯护罩装饰罩	ORNAMENT, HEADLIGHT HOUSING	1	
F03-03	TJB43115A0A00	前照灯护罩装饰板	ORNAMENT, HEADLIGHT HOUSING	1	
F03-03-01	TJB59113A0A00	前照灯护罩标牌	"W" ROUND LOGO	1	
F03-04	TJB43264A0F11-GY	前面罩右装饰板 - 灰色	ORNAMENT, FRONT COWL, RH - GREY	1	
F03-04	TJB43264A0F11-RD	前面罩右装饰板 - 红色	ORNAMENT, FRONT COWL, RH - RED	1	
F03-04	TJB43264A0F11-GN	前面罩右装饰板 - 绿色	ORNAMENT, FRONT COWL, RH - GREEN	1	
F03-05	TJB43251A0A00	前面罩	COWL, FRONT	1	
F03-06	TJB43265A0F11-GY	前面罩左装饰板 - 灰色	ORNAMENT, FRONT COWL, LH - GREY	1	
F03-06	TJB43265A0F11-RD	前面罩左装饰板 - 红色	ORNAMENT, FRONT COWL, LH - RED	1	
F03-06	TJB43265A0F11-GN	前面罩左装饰板 - 绿色	ORNAMENT, FRONT COWL, LH - GREEN	1	
F03-07	TJB53115A0A00	前挡泥板中体	BODY, FRONT FENDER MID	1	
F03-08	TJB53211A0A00	前挡泥板后体	TAIL, FRONT FENDER	1	
F03-09	TJB53362A0A00	前挡水胶皮	FLAP, FRONT MUD	1	
F03-10	TJB59345A2A00	前面罩装饰板贴纸	ORNAMENT, HEADLIGHT HOUSING STICKER	2	

F04 MANTLE ASSY FRAME II 车体护罩总成 II



POSITION NO.	CODE	CN DESCRIPTION	EN DESCRIPTION	QYT / UNIT	REMARKS
F04-01	TJB47713A0A00	方向把上护罩	HOOD, STEERING BAR TOP	1	
F04-02	TJB47723A0A00	方向把下护罩	HOOD, STEERING BAR, BOTTOM	1	
F04-03	TJB43651A0A00	前置物箱	TRUNK, FRONT	1	
F04-04	TJB48440A0A00	前置物箱锁组件	LOCK SET, FRONT TRUNK	2	
F04-05	TJB35963A0A00	点火开关罩胶套	BOOT, IGNITION SWITCH HOOD	1	
F04-06	TJB35951A0W01	点火开关罩	HOOD, IGNITION SWITCH	1	
F04-07	TJB43653A0F11-GY	前置物箱右盖 - 灰色	COVER, FRONT TRUNK, RH - GREY	1	
F04-07	TJB43653A0F11-RD	前置物箱右盖 - 红色	COVER, FRONT TRUNK, RH - RED	1	
F04-07	TJB43653A0F11-GN	前置物箱右盖 - 绿色	COVER, FRONT TRUNK, RH - GREEN	1	
F04-08	TJB43656A0F11-GY	前置物箱左盖 - 灰色	COVER, FRONT TRUNK, LH - GREY	1	
F04-08	TJB43656A0F11-RD	前置物箱左盖 - 红色	COVER, FRONT TRUNK, LH - RED	1	
F04-08	TJB43656A0F11-GN	前置物箱左盖 - 绿色	COVER, FRONT TRUNK, LH - GREEN	1	
F04-09	TJB43685A0A00	前置物箱右内板	INNER COVER,FRONT TRUNK, RH	1	
F04-10	TJB43686A0A00	前置物箱左内板	INNER COVER,FRONT TRUNK, LH	1	
F04-11	TJB93721A2N07	销轴φ4-73	PIN, ø4-73	2	
F04-12	TJB43963A0A00	前置物箱盖铰链左盖	COVER, FRONT TRUNK COVER HINGE, LH	1	
F04-13	TJB43962A0A00	前置物箱盖铰链右盖	COVER, FRONT TRUNK COVER HINGE, RH	1	

F05 GRIP, SWITCH & CABLES 握把、开关、拉索



POSITION NO.	CODE	CN DESCRIPTION	EN DESCRIPTION	QYT / UNIT	REMARKS
F05-01	TJB47370A0B01	方向把平衡块组合	WEIGHT, STEERING BAR	2	
F05-02	QJZ47300A0B01	油门握把组合	GRIP COMP., THROTTLE	1	
F05-03	TJB57100B1B25	右后视镜	MIRROR, REARVIEW, RH	1	
F05-04	TJB57200B1B25	左后视镜	MIRROR, REARVIEW, LH	1	
F05-05	TJB47151A0B03	右方向把卡夹	CLAMP, STEERING BAR, RH	1	
F05-06	TJB47161A0B03	左方向把卡夹	CLAMP, STEERING BAR, LH	1	
F05-07	TJB35100A2A00	右手把开关	SWITCH, HANDLEBAR, RH	1	
F05-08	TJB35200A0A00	左手把开关	SWITCH, HANDLEBAR, LH	1	
F05-09	QJZ47411A0B01	左握把	GRIP, LH	1	
F05-10	TJB47110A0A00	方向把管组件	PIPE SET, STEERING BAR	1	
F05-11	TJB47120A0B03	方向把管固定座组件	HOLDER SET, STEERING BAR PIPE, LH	2	
F05-12	TJB46300A1A00	油门拉索组合	CABLE, THROTTLE	1	
F05-13	Q184B1050T1F37	螺栓M10×1.25×50-Zn c2C (SJ)	BOLT, M10X1.25X50-ZN C2C(SJ)	1	
F05-14	YGA47187A0N07	方向把管连接卡	CLAMP, STEERING BAR PIPE	1	
F05-15	TJB47180A0B01	方向把管连接杆组件	ROD SET, STEERING BAR PIPE	1	
F05-16	Q330B10T2F37	螺母M10×1.25-Zn c2C (SJ)	NUT, M10X1.25-ZN C2C(SJ)	1	
F05-17	TJB47374A0N05	方向把平衡轴	SHAFT, STEERING BAR BALANCE	1	



F06 GUARD MID 中护板



POSITION NO.	CODE	CN DESCRIPTION	EN DESCRIPTION	QYT / UNIT	REMARKS
F06-01	TJB43333A0W01	右下护板	GUARD, LOWER, RH	1	
F06-02	TJB43433A0W01	左下护板	GUARD, LOWER, LH	1	
F06-03	TJB43334A0A00	前护板	GUARD, FRONT	1	
F06-04	TJB42381A0A00	前右搁脚踏板	TREADLE, RIDER, RH	1	
F06-05	TJB42481A0A00	前左搁脚踏板	TREADLE, RIDER, LH	1	
F06-06	TJB43671A0A00	右脚踏板胶板	MAT, TREADLE, RH	1	
F06-07	TJB43675A0A00	左脚踏板胶板	MAT, TREADLE, LH	1	
F06-08	TJB43314A0W01	右侧盖装饰板	ORNAMENT, SIDE COVER, RH	1	
F06-09	TJB43414A0W01	左侧盖装饰板	ORNAMENT, SIDE COVER, LH	1	

F07 FRONT FORK ASSY 前叉总成



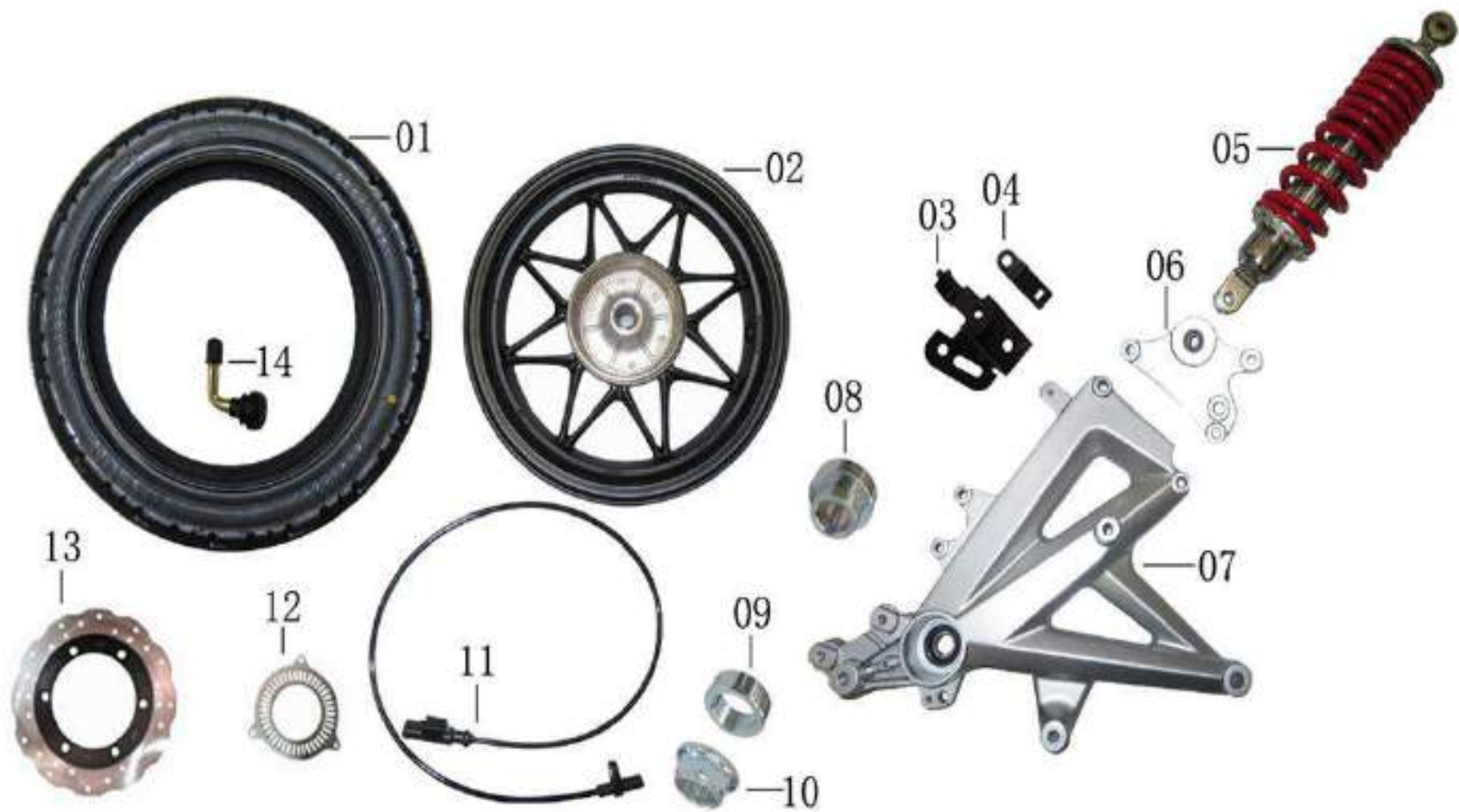
POSITION NO.	CODE	CN DESCRIPTION	EN DESCRIPTION	QYT / UNIT	REMARKS
F07-01	TJB52400A0B03	前右减震器	SHOCK ABSORBER, FRONT, RH	1	
F07-02	TJB53111A0F44-GY	前挡泥板 - 灰色	FENDER, FRONT - GREY	1	
F07-02	TJB53111A0F44-RD	前挡泥板 - 红色	FENDER, FRONT - RED	1	
F07-02	TJB53111A0F44-GN	前挡泥板 - 绿色	FENDER, FRONT - GREEN	1	
F07-03	TJB52500A0B03	前左减震器	SHOCK ABSORBER, FRONT, LH	1	
F07-04	TJB56760A0B03	前制动油管支架组件	STAY SET, FRONT BRAKE HOSE	1	
F07-05	TJB51210A0B01	方向柱组件	STEM SET, STEERING	1	
F07-06	TJB93231A0N07	方螺母	NUT, SQUARE	1	
F07-07	TJB51976A0N07	调节螺母止动垫圈	LOCK RING, ADJUSTING NUT	1	
F07-08	TJB93241A0N07	调节螺母	NUT, ADJUSTING	1	
F07-09	TJB51975A0A00	方向柱防尘盖	DUST COVER, STEERING STEM	1	
F07-10	TJB51950A0A00	方向上轴承组件	BEARING SET, STEERING STEM TOP	1	
F07-11	TJB51960A0A00	方向下轴承组件	BEARING SET, STEERING STEM BOTTOM	1	
F07-12	TJB93541A0N07	平垫圈	WASHER, PLAIN	1	
F07-13	TJB51973A0A00	方向柱防尘圈	DUST RING, STEERING STEM	1	
F07-14	TJB59114A0A00	前叉标牌	"ABS" LABEL	2	

F08 FRONT WHEEL 前轮总成



POSITION NO.	CODE	CN DESCRIPTION	EN DESCRIPTION	QYT / UNIT	REMARKS
F08-01	TJB54700A0A00	前轮外胎	TYRE, FRONT	1	
F08-02	TJB54100A0B03	前轮毂组件	HUB COMP., FRONT WHEEL	1	
F08-02	TJB54100A0X25	前轮毂组件 - 绿色	HUB COMP., FRONT WHEEL - GREEN	1	
F08-03	TJB56311A0B01	前制动盘	DISC, FRONT BRAKE	1	
F08-04	TJB54913A0N07	前轮左衬套	BUSH, FRONT WHEEL, LH	1	
F08-05	TJB54911A1N07	前轮轴	AXLE, FRONT	1	
F08-06	TJB54912A0N07	前轮右衬套	BUSH, FRONT WHEEL, RH	1	
F08-07	Q330B12T2F37	螺母M12x1.25-Zn c2C(SJ)	NUT, M12X1.25-ZN C2C(SJ)	1	
F08-08	Q981C	气门嘴	VALVE,TUBE	1	

F09 REAR WHEEL 后轮总成



POSITION NO.	CODE	CN DESCRIPTION	EN DESCRIPTION	QYT / UNIT	REMARKS
F09-01	TJB64700A0A00	后轮外胎	TYRE, REAR	1	
F09-02	TJB64210A0B03	后轮毂组件	HUB SET, REAR WHEEL	1	
F09-02	TJB64210A0X25	后轮毂组件 - 绿色	HUB SET, REAR WHEEL - GREEN	1	
F09-03	TJB66760A1B03	后制动油管支架组件	STAY SET, REAR BRAKE HOSE	1	
F09-04	TJB66762A0B12	后制动油管线夹	CLAMP, REAR BRAKE HOSE	1	
F09-05	TJB62100A0R01	后减震器总成	SHOCK ABSORBER ASSY, REAR	1	
F09-06	TJB62510A1W01	后右上摇臂组合	ROCKER COMP., REAR-TOP, RH	1	
F09-07	TJB62530A0W01	后右下摇臂组合	ROCKER COMP., REAR-BOTTOM, RH	1	
F09-08	TJB61911A0N07	后叉内轴套	SLEEVE, REAR FORK INNER	1	
F09-09	TJB61912A0N07	后叉外轴套	SLEEVE, REAR FORK OUTER	1	
F09-10	Q330B16T3F37	螺母M16x1.5-Zn c2C(SJ)	NUT, M16X1.5-ZN C2C(SJ)	1	
F09-11	TJB56650A0A00	ABS传感器	ABS SENSOR	1	
F09-12	TJB64216A0N01	后齿圈	RING, REAR GEAR	1	
F09-13	TJB66311A0B01	后制动盘	DISC, REAR BRAKE	1	
F09-14	Q981C	气门嘴	VALVE,TUBE	1	

F10 FUEL TANK 油箱总成



POSITION NO.	CODE	CN DESCRIPTION	EN DESCRIPTION	QYT / UNIT	REMARKS
F10-01	TJB19111A0A00	贮备水箱盖	FILLER CAP, RESERVE TANK	1	
F10-02	TJB37816A0B12	燃油传感器线卡	CABLE CLIPS,FUEL SENSOR	1	
F10-03	TJB19550A1A00	散热器出水管组件	HOSE, RADIATOR OUTLET	1	
F10-04	TJB19121A0A00	贮备水箱体	BODY, RESERVE TANK	1	
F10-05	TJB19130A1A00	贮备水箱出水管组件	PIPE, RESERVE TANK OUTLET	1	
F10-06	TJB37810A0A00	燃油传感器	SENSOR, FUEL	1	
F10-07	TJB16516A0A00	油箱防掉链环	CAP HOLDER,FUEL TANK	1	
F10-08	TJB16500A0N03	油箱盖组合	CAP,FUEL TANK	1	
F10-09	TJB16681A0A00	油箱护套	HOOD, AUXILIARY TANK	1	
F10-10	TJB16620A0B01	油箱焊接组合	TANK WELDMENT, FUEL	1	
F10-11	TY039520B1A00	燃油泵	FUEL PUMP	1	
F10-12	TJB16700A0A00	油管连接组合	OIL PIPE, COMP.	1	
F10-13	UMB56762A0A00	前制动油管线夹	CIRCLIP, HOSE	2	

F11 EXHAUST MUFFLER 排气消声器、空滤器



POSITION NO.	CODE	CN DESCRIPTION	EN DESCRIPTION	QYT / UNIT	REMARKS
F11-01	TJB18391-0001	消声器装饰罩	ORNAMENT, MUFFLER	1	
F11-02	TJB18392-0001	消声器护罩	MANTLE, MUFFLER	1	
F11-03	TJB18000-0002	排气消声器总成	EXHAUST MUFFLER ASSY	1	
F11-04	TJB17100A0A00	空气滤清器总成	AIR CLEANER ASSY	1	
F11-04-01	TJB59162A0A00	空滤器标牌	AIR CLEANER ASSY LABEL - "EEC"	1	
F11-05	TJB17120A0A00	空滤器滤网组件	FILTER COMP.,AIR CLEANER	1	
F11-06	TJB18396A0B11	消声器护罩II	MANTLE II, MUFFLER	1	



F12 SEAT & MID-TRUNK 坐垫、中置物箱



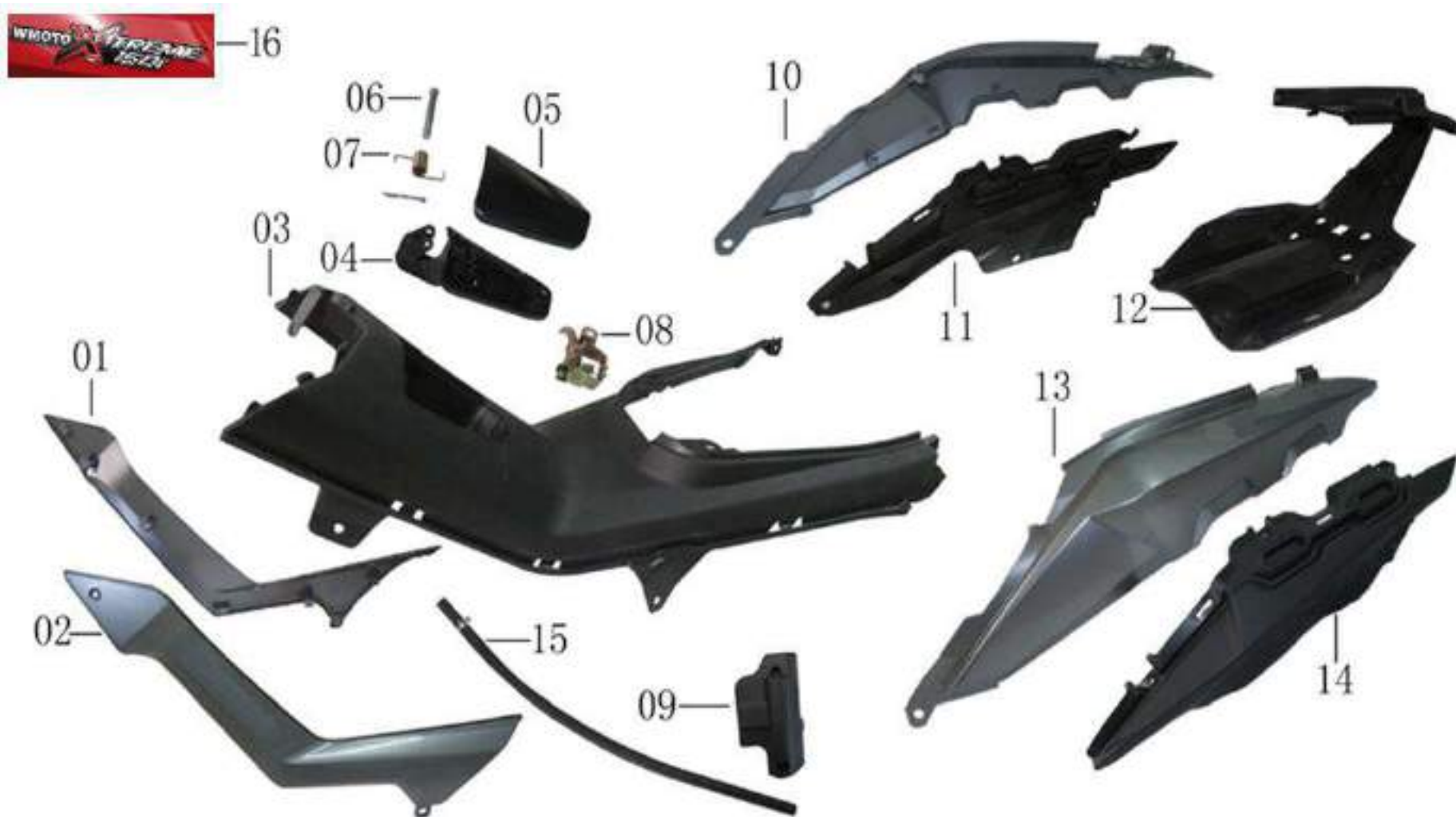
POSITION NO.	CODE	CN DESCRIPTION	EN DESCRIPTION	QYT / UNIT	REMARKS
F12-01	TJB44100A1A00	坐垫总成	SEAT ASSY	1	
F12-02	TJB44913A0A00	坐垫前支撑板	PLATE,SEAT FRONT SUPPORTING	1	
F12-03	TJB44915A0A00	坐垫前连接板	PLATE, SEAT FRONT CONNECTING	1	
F12-04	TJB44912A0N03	坐垫开启支架	STAY,SEAT OPENING	2	
F12-05	RID33440A0A00	后置物箱灯开关	SWITCH,REAR TRUNK LAMP	1	
F12-06	TJB45864A0N07	后置物箱铰链销轴	PIN, TAIL CASE HINGE	1	
F12-07	TJB43662A0A00	后置物箱盖	COVER, REAR TRUNK	1	
F12-08	TJB43661A0A00	后置物箱	REAR TRUNK	1	
F12-09	TJB31812A0A00	蓄电池盒盖	COVER, BATTERY CASE	1	
F12-10	RID33450A0A00	后置物箱灯	LAMP,REAR TRUNK	1	

F13 REAR FENDER 后挡泥板



POSITION NO.	CODE	CN DESCRIPTION	EN DESCRIPTION	QYT / UNIT	REMARKS
F13-01	QLL63311A0A00	后挡泥板尾翘	WING, REAR FENDER TAIL	1	
F13-02	QLL63420A0B03	后尾翘支架组件	BRACKET, REAR FENDER TAIL	1	
F13-03	TJB63411A0A00	后挡水胶皮	FLAP, REAR MUD	1	
F13-04	TJB63111A0A00	后挡泥板	FENDER, REAR	1	
F13-05	QLL63381A0B03	后挡泥板尾翘安装支架	STAY, TAIL WING	1	
F13-06	QLP33820A0A00	后反射器	REAR REFLECTOR	1	
F13-07	QLP33810A0A00	前反射器	REFLECTOR, SIDE	2	
F13-08	QJS63710A0B14	后牌照支架	BRACKET SET, REAR LICENSE PLATE	1	
F13-09	TJB63910A0B12	后挡泥板支架组件	BRACKET SET, REAR FENDER	1	
F13-10	TJB63151A0A00	后挡泥板后体	TAIL, REAR FENDER	1	

F14 REAR PANEL 后围板



POSITION NO.	CODE	CN DESCRIPTION	EN DESCRIPTION	QYT / UNIT	REMARKS
F14-01	TJB43311A0F11-GY	右侧盖 - 灰色	COVER, SIDE, RH - GREY	1	
F14-01	TJB43311A0F11-RD	右侧盖 - 红色	COVER, SIDE, RH - RED	1	
F14-01	TJB43311A0F11-GN	右侧盖 - 绿色	COVER, SIDE, RH - GREEN	1	
F14-02	TJB43411A0F11-GY	左侧盖 - 灰色	COVER, SIDE, LH - GREY	1	
F14-02	TJB43411A0F11-RD	左侧盖 - 红色	COVER, SIDE, LH - RED	1	
F14-02	TJB43411A0F11-GN	左侧盖 - 绿色	COVER, SIDE, LH - GREEN	1	
F14-03	TJB43331A0A00	中护板	GUARD, MID	1	
F14-04	TJB48215A0A00	油箱锁装饰内盖	COVER, FUEL TANK LOCK ORNAMENTAL INNER	1	
F14-05	TJB48214A0A00	油箱锁装饰外盖	COVER, FUEL TANK LOCK ORNAMENTAL OUTER	1	
F14-06	TJB93721A1N07	销轴Φ5-43	PIN, è5-43	1	
F14-07	TJB48284A0A00	油箱锁盖回位簧	RETURN SPRING,COVER,FUEL FILLER	1	
F14-08	TJB16530A0N03	油箱盖装饰盖开启支架组合	LOCK SET,FUEL FILLER COVER	1	
F14-09	TJB43561A0A00	发动机装饰罩	ORNAMENT, ENGINE	1	
F14-10	TJB43711A0F11-GY	右后围板 - 灰色	PANEL, REAR, RH - GREY	1	WITHOUT STICKER
F14-10	TJB43711A0F11-RD	右后围板 - 红色	PANEL, REAR, RH - RED	1	WITHOUT STICKER
F14-10	TJB43711A0F11-GN	右后围板 - 绿色	PANEL, REAR, RH - GREEN	1	WITHOUT STICKER
F14-11	TJB43372A0A00	右后围板护板	GUARD, REAR SKIRT, RH	1	
F14-12	TJB43753A0A00	后围板连接板	PLATE, REAR PANEL CONNECTING	1	
F14-13	TJB43721A0F11-GY	左后围板 - 灰色	PANEL, REAR, LH - GREY	1	WITHOUT STICKER
F14-13	TJB43721A0F11-RD	左后围板 - 红色	PANEL, REAR, LH - RED	1	WITHOUT STICKER
F14-13	TJB43721A0F11-GN	左后围板 - 绿色	PANEL, REAR, LH - GREEN	1	WITHOUT STICKER
F14-14	TJB43472A0A00	左后围板护板	GUARD, REAR SKIRT, LH	1	
F14-15	TJB16550A2A00	溢流管组件	PIPE, OVERFLOW	1	
F14-16	TJB59361B1A00	后围板贴花	REAR PANEL LABEL - "WMOTO X TREME 150i"	2	

F15 FUEL EVAPORATING SYSTEM 燃油蒸发系统



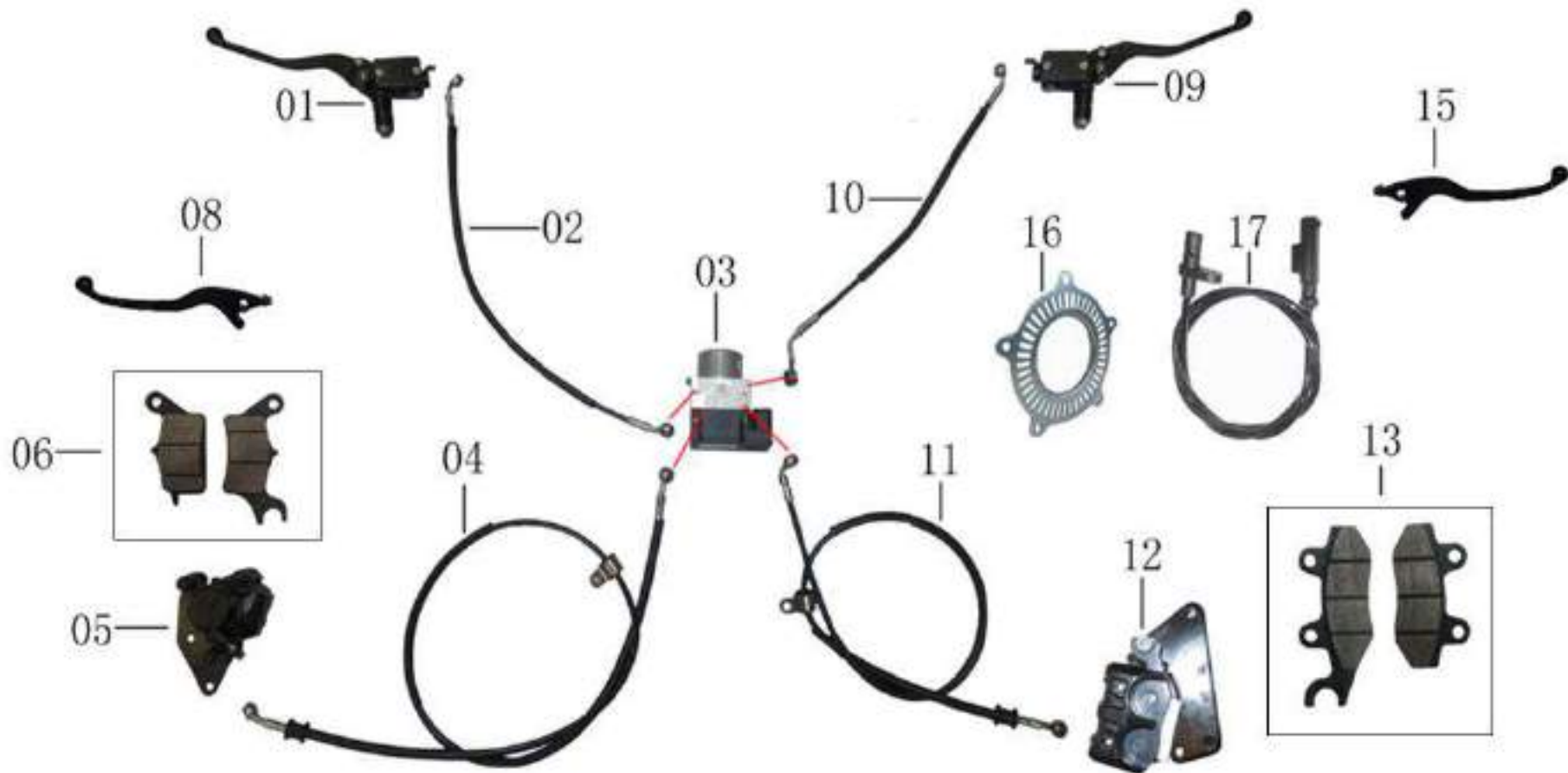
POSITION NO.	CODE	CN DESCRIPTION	EN DESCRIPTION	QYT / UNIT	REMARKS
F15-01	TJB20720A1A00	油气输送管组件	PIPE, OIL/GAS DELIVERY	1	
F15-02	XHL20380A1A00	防倾阀	VALVE, ANTI-TILT	1	
F15-03	TJB20730B1A00	活性炭罐吸附管组件	TUBE, ABSORPTION	1	
F15-04	QLL20310B1A00	活性炭罐	CANISTER, ACTIVE CARBON	1	
F15-05	TJB17680A1A00	气压平衡管组件	PIPE, AIR PRESSURE BALANCE	1	
F15-06	TJB20740A1A00	活性炭罐脱附管组件	TUBE, DESORPTION	1	
F15-07	RID20610A0A00	单向阀组合	ONE-WAY VALVE COMP.	1	
F15-08	TJB20650A1A00	单向阀通气管组合	VENT PIPE, ONE-WAY VALVE	1	

## F16 EFI SYSTEM 电喷系统



POSITION NO.	CODE	CN DESCRIPTION	EN DESCRIPTION	QYT / UNIT	REMARKS
F16-01	WKP39310A1A00	氧传感器	SENSOR, OXYGEN	1	
F16-02	3.00029.303.0.25983	水温传感器	SENSOR, WATER TEMPERATURE	1	
F16-03	WKP39580A0A00	炭罐阀组合	CARBON CANISTER SOLENOID VALVE	1	
F16-04	TJB20690A1A00	二次空气补气阀进气管组件	PIPE, IDLING GULP	1	
F16-05	TJB20470A1A00	二次空气补气阀出气管组件	PIPE, IDLING GULP VALVE INLET	1	
F16-06	AIA39630A0A00	油轨组合	RAIL, FUEL	1	
F16-07	TY039650A4A00	喷嘴	NOZZLE	1	
F16-08	TY039330A0A00	进气压力传感器	SENSOR, INTAKE AIR PRESSURE	1	
F16-09	MJA17310A0Z50	进气管组合	PIPE SET, INLET	1	
F16-10	TJB39100A0A00	电喷控制器	ECU	1	
F16-11	AIA39601A0A00	节气门阀体总成	BODY COMP., THROTTLE VALVE	1	
F16-12	WKP39350A0A00	空温传感器	SENSOR, INTAKE AIR TEMPERATURE	1	

F18 ABS 防抱死制动系统



POSITION NO.	CODE	CN DESCRIPTION	EN DESCRIPTION	QYT / UNIT	REMARKS
F18-01	TJB66400A1B03	后制动主泵	MASTER CYLINDER, REAR BRAKE	1	
F18-02	TJB66720A0A00	后制动油管组件	HOSE, REAR BRAKE	1	
F18-03	TJB56610A0A00	防抱死制动组合	ANTI-LOCK BRAKE COMP.	1	
F18-04	TJB66730A0A00	后制动油管组件Ⅱ	HOSE II, REAR BRAKE	1	
F18-05	TJB66500A0B03	后制动分泵	SUB-CYLINDER, REAR BRAKE	1	
F18-06	TJB66530A0B01-A	后制动蹄片组件	REAR BRAKE PAD SET	1	
F18-08	TJB47651A0B01	后制动手柄	LEVEL, REAR BRAKE	1	
F18-09	TJB56400A1B03	前制动主泵	MASTER CYLINDER, FRONT BRAKE	1	
F18-10	TJB56720A0A00	前制动油管组件	HOSE, FRONT BRAKE	1	
F18-11	TJB56730A0A00	前制动油管组件Ⅱ	HOSE II, FRONT BRAKE	1	
F18-12	TJB56500A0B03	前制动分泵	SUB-CYLINDER, FRONT BRAKE	1	
F18-13	TJB56530A0B01-A	前制动蹄片组件	FRONT BRAKE PAD SET	1	
F18-15	TJB47511A0B01	前制动手柄	LEVEL, FRONT BRAKE	1	
F18-16	TJB54216A0N01	前齿圈	RING, FRONT GEAR	1	
F18-17	TJB56650A0A00	ABS传感器	ABS SENSOR	1	



F19 ELECTRICAL ELEMENTS 电器



POSITION NO.	CODE	CN DESCRIPTION	EN DESCRIPTION	QYT / UNIT	REMARKS
F19-01	TJB32100A3A00	主电缆	CABLE, MAIN	1	
F19-02	MJA34790A1A00	启停控制器组合	CONTROLLER, AUTOMATIC START-UP AND SHUTDOWN	1	
F19-03	TJB35400A3A00	点火开关	SWITCH, IGNITION	1	
F19-05	QLL36150A2A00	充电器组合	CHARGER COMP.	1	
F19-06	RID36281A0A00	点烟器插座	SOCKET, CIGARETTE LIGHTER	1	
F19-07	QMA38210B1A00	闪光继电器	RELAY, FLASHING	1	
F19-08	QMR38280A0A00	电喷主继电器	RELAY, EFI MAIN	1	
F19-09	TJB38270A0A00	辅助继电器	AUXILIARY RELAY	1	
F19-10	TJB38100A0B01	喇叭	HORN	1	
F19-11	ZJX31500A0A00	蓄电池	BATTERY	1	

F20 MAIN FRAME 车架焊接总成



POSITION NO.	CODE	CN DESCRIPTION	EN DESCRIPTION	QYT / UNIT	REMARKS
F20-01	TJB33910A0B12	前照灯支架组合	STAY COMP., HEADLIGHT	1	
F20-02	TJB41100A1B12	车架焊接总成	FRAME WELDMENT	1	

POSITION NO.	CODE	CN DESCRIPTION	EN DESCRIPTION	QYT / UNIT	REMARKS
F20-03	TJB63952A0B12	线卡II	CLAMP II	1	
F20-04	TJB39319A1B03	氧传感器支架	BRACKET,OXYGEN SENSOR	1	
F20-05	TJB42510A0W01	后右搁脚组合	FOOTREST COMP., RH	1	
F20-06	TJB42511A0A00	后右搁脚踏板	TREADLE, PILLION, RH	1	
F20-07	QLX31971A0B03	保险盒支架	BRACKET,FUSE BOX	1	
F20-08	TJB38940A1N03	辅助继电器连接板组件	CONNECTING BOARD,AUXILIARY RELAY	1	
F20-09	TJB45511A0W01	右后扶手	HANDRAIL, RH	1	
F20-10	TJB45531A0W01	左后扶手	HANDRAIL, LH	1	
F20-11	TJB48344A0A00	座垫锁座盖	COVER,SEAT LOCK BASE	1	
F20-12	DTX48340A0N01	座垫锁座组件	BODY SET, SEAT LOCK BASE	1	
F20-13	TJB39910A0B12	电喷控制器支架组件	BRACKET,ECU	1	
F20-14	QMP38942A0B01	辅助继电器连接板	CONNECTING BOARD,RELAY, EFI MAIN	1	
F20-15	TJB66782A0B12	后制动油管线夹III	CLAMP III, REAR BRAKE HOSE	1	
F20-16	TJB36970A0B03	电源控制器支架组件	STAY SET, POWER CONTROLLER	1	
F20-17	TJB42610A0W01	后左搁脚组合	FOOTREST COMP., LH	1	
F20-18	TJB42611A0A00	后左搁脚踏板	TREADLE, PILLION, LH	1	
F20-19	TJB46530A0A00	座垫锁拉索	CABLE, SEAT LOCK	1	
F20-20	TJB46520B1A00	油箱盖板拉索组件	CABLE,FUEL TANK LOCK	1	
F20-21	ZPA93121A0N07	台阶螺栓	BOLT, PIVOT M10X1.25X35-è12X15	1	
F20-22	TJB42200A0B12	侧支架	STAND, SIDE	1	
F20-23	TJB42922A0N07	侧支架回位弹簧	SPRING, SIDE STAND	1	
F20-24	TJB42410A0B12	前左搁脚组合	FOOTREST COMP., RIDER, LH	1	
F20-25	TJB42310A0B12	前右搁脚组合	FOOTREST COMP., RIDER, RH	1	
F20-26	TJB42974A1N07	发动机悬挂轴II	SHAFT II, ENGINE MOUNTING	1	
F20-27	TJB42718A0A00	发动机前连板缓冲垫	CUSHION, ENGINE FRONT CONNECTING PLATE	3	
F20-28	TJB42700A0B12	发动机悬挂组合	SHAFT, ENGINE MOUNTING	1	
F20-29	TJB42971A1N07	发动机悬挂轴	SHAFT , ENGINE MOUNTING	1	
F20-30	TJB35360A0A00	熄火开关	SIDE STAND FLAMEOUT SWITCH	1	
F20-31	TJB42110A0B12	主支架	MAIN STAND	1	

E01 RADIATOR ASSY & WATER 散热器总成、水泵总成



POSITION NO.	CODE	CN DESCRIPTION	EN DESCRIPTION	QYT / UNIT	REMARKS
E01-01	3.00029.079.0.25762	右散热器护罩	HOOD, RADIATOR, RH	1	
E01-02	3.00029.300.0.25699	散热器水箱盖	CAP, RADIATOR	1	
E01-03	3.00029.300.0.25698	散热器总成	RADIATOR ASSY	1	
E01-04	3.00029.158.0.25760	冷却风扇罩组合	COVER UNIT, FAN	1	
E01-05	3.00029.091.0.25801	散热器进水管	OUTLET PIPE, RADIATOR	1	
E01-06	3.00029.084.0.25967	(水箱、节温器盖) 发动机水管环箍	CLAMP (12-22)	3	
E01-07	3.00029.303.0.25811	节温阀	THERMOSTAT VALVE	1	
E01-08	3.00029.303.0.25812	节温器盖	COVER, THERMOSTAT	1	
E01-09	3.00029.091.0.25964	小循环水管Ⅲ	SMALL CYCLE PIPE (III)	1	
E01-10	3.00029.091.0.25963	小循环水管组合	SMALL CYCLE PIPE COMP.	1	
E01-11	3.00029.091.0.25802	散热器出水管	INLET PIPE, RADIATOR	1	
E01-12	3.00029.084.0.25800	发动机水管	WATER PIPE, ENGINE	1	
E01-13	3.00029.090.0.25970	水泵总成	WATER PUMP ASSY	1	
E01-14	3.00029.090.0.259701	水泵O型圈	O-RING, WATER PUMP	1	
E01-15	3.00029.084.0.25808	(气缸体、水泵) 发动机水管环箍	CLAMP (16-24)	3	
E01-16	3.00029.090.0.25724	水泵总成密封垫	GASKET, WATER PUMP	1	

E02 CYLINDER HEAD & CYLINDER 气缸头、气缸体



POSITION NO.	CODE	CN DESCRIPTION	EN DESCRIPTION	QYT / UNIT	REMARKS
E02-01	3.00029.083.0.25779	汽缸头废气管	PIPE, EXHAUST	1	
E02-02	3.00029.008.0.25710	汽缸头盖组合	CYLINDER HEAD COVER	1	
E02-03	3.00029.090.0.25723	迷宫盖板密封垫	GASKET, LABYRINTH COVER	1	
E02-04	3.00029.169.0.25749	迷宫盖板	LABYRINTH COVER	1	
E02-05	3.00029.099.0.25731	气缸头盖密封圈	GASKET, CYLINDER HEAD COVER	1	
E02-06	3.00029.168.0.25752	凸轮轴挡板	RETAINER, CAMSHAFT	1	
E02-07	3.00006.076.0.25678	法兰面螺母 M8	NUT M8	4	
E02-08	3.00029.049.0.25868	进气管隔热垫	INLET PIPE INSULATOR	1	
E02-09	3.00029.049.0.258681	进气管隔热垫O型圈	O-RING, INLET PIPE INSULATOR	1	
E02-10	3.00029.084.0.25788	缸头废气管管夹	CLAMP SET, EXHAUST PIPE	1	
E02-11	3.00004.077.0.20598	定位销10×16	DOWEL PIN 10X16	2	
E02-12	3.00029.007.0.25697	汽缸头	CYLINDER HEAD	1	
E02-12	3.00029.007.0.25697B	汽缸头组合	CYLINDER HEAD ASSY	1	
E02-13	3.00029.041.0.20645	火花塞NGK/CPR8EA-9	SPARK PLUG NGK/CPR8EA-9	1	
E02-14	3.00029.090.0.20648	汽缸头密封垫	GASKET, CYLINDER HEAD	1	
E02-15	3.00029.006.0.25711	汽缸体	CYLINDER BLOCK	1	
E02-16	3.00029.090.0.20647	汽缸体密封垫	GASKET, CYLINDER BLOCK	1	
E02-17	3.00029.168.0.25787	点火线圈支架组合	STAY, IGNITION COIL ASSY	1	
E02-18	3.00029.168.0.25915	高压油管支架	STAY, HIGH-PRESSURE PIPE	1	
E02-19	3.00029.076.0.25823	双头螺栓M7*42.5	STUD BOLT M7*42.5	2	

E03 VALVE TRAIN 配气机构





POSITION NO.	CODE	CN DESCRIPTION	EN DESCRIPTION	QYT / UNIT	REMARKS
E03-01	3.00029.062.0.25737	摇臂轴	SHAFT, ROCKER ARM	1	
E03-02	3.00029.025.0.25748	正时从动链轮	SPROCKET, TIMING DRIVEN	1	
E03-03	3.00029.062.0.25736	摇臂轴II	SHAFT, ROCKER ARM (II)	1	
E03-04	3.00029.062.0.25744	排气摇臂组合	ROCKER ARM	2	
E03-05	3.00029.062.0.25718	凸轮轴组合	CAMSHAFT UNIT	1	
E03-06	3.00029.047.0.25781	气门锁夹	SPLIT CONE, VALVE	4	
E03-07	3.00029.048.0.25746	气门弹簧上座	SEAT, VALVE SPRING, UPPER	2	
E03-08	3.00029.089.0.25721	气门弹簧	VALVE SPRING	2	
E03-09	3.00004.100.0.20246	挡油罩	OIL SEAL, VALVE STEM	2	
E03-10	3.00029.048.0.25747	气门弹簧下座	SEAT, VALVE SPRING, LOWER	2	
E03-11	3.00029.039.0.25719	进气门	VALVE, INTAKE	1	
E03-12	3.00029.040.0.25720	排气门	VALVE, EXHAUST	1	
E03-13	3.00006.076.0.25663	张紧器密封螺塞 (张紧器调节孔螺钉)	PLUG, TENSIONER	1	
E03-14	3.00004.099.0.20327	张紧器调节孔螺钉O型圈	ADJUSTING SCREW O-RING, TENSIONER	1	
E03-15	3.00029.177.0.25745	张紧器总成	BODY UNIT, TENSIONER	1	
E03-16	3.00029.090.0.25775	张紧器密封垫	GASKET, TENSIONER	1	
E03-17	3.00029.130.0.25739	张紧板衬套	BUSH, TENSIONER	1	
E03-18	3.00029.177.0.25734	张紧板	TENSIONER	1	
E03-19	3.00029.164.0.25777	正时链条	CHAIN, TIMING	1	
E03-20	3.00029.161.0.25735	导向板	GUIDING PLATE	1	

E04 CRANKSHAFT & PISTON & OIL PUMP 曲轴、活塞、机油泵



POSITION NO.	CODE	CN DESCRIPTION	EN DESCRIPTION	QYT / UNIT	REMARKS
E04-01	3.00029.036.0.257571	机油泵从动齿轮	DRIVEN SPROCKET, OIL PUMP	1	
E04-02	3.00029.076.0.25817	定位销8×10	DOWEL PIN 8X10	2	
E04-03	3.00029.036.0.25757	机油泵总成	OIL PUMP ASSY	1	
E04-04	3.00029.043.0.25771	活塞环组	RING SET, PISTON	1	
E04-05	3.00029.045.0.25770	活塞销挡圈	PISTON PIN CIRCLIP	2	
E04-06	3.00029.042.0.25768	活塞	PISTON	1	
E04-07	3.00029.044.0.25769	活塞销	PIN, PISTON	1	
E04-08	3.00029.027.0.25863	曲轴连杆总成	CRANKSHAFT & CONNECTING ROD	1	EXCLUDING NO.9 - BEARING 6207
E04-09	3.00029.027.0.25780	轴承	BEARING 6207, LH, CRANKSHAFT	1	

E05 TRANSMISSION CASE ASSY 传动箱



POSITION NO.	CODE	CN DESCRIPTION	EN DESCRIPTION	QYT / UNIT	REMARKS
E05-01	3.00029.069.0.25716	输出轴组合	TERMINAL SHAFT	1	
E05-02	3.00029.090.0.25973	传动箱盖密封垫	GASKET , TRANSMISSION COVER	1	
E05-03	3.00029.083.0.25763	传动箱废气管	PIPE, TRANSMISSION EXHAUST	1	
E05-04	3.00029.084.0.25790	(传动箱废气管) 钢带夹Φ11	CIRCLIP è11	1	
E05-05	3.00029.100.0.25981	输出轴油封	OIL SEAL, TERMINAL SHAFT	1	
E05-06	3.00029.178.0.25707	传动箱盖组合	TRANSMISSION COVER COMP.	1	
E05-07	3.00001.077.0.10001	定位销10×14	DOWEL PIN 10?14	2	
E05-08	3.00029.032.0.25866	轴承6205-2RS	BEARING 6205-2RS	1	
E05-09	3.00004.032.0.20785	轴承6201	BEARING 6201	1	
E05-10	3.00004.032.0.20786	轴承6202	BEARING 6202	1	
E05-11	3.00029.076.0.25935	中间轴垫圈	WASHER, COUNTER SHAFT	1	
E05-12	3.00029.069.0.25717	输出轴齿轮	TERMINAL SHAFT GEAR	1	
E05-13	3.00029.029.0.25714	中间轴组合	COUNTER SHAFT UNIT	1	
E05-14	3.00029.162.0.25713	驱动轴	DRIVE SHAFT	1	

E06 BLET & DRIVING & DRIVEN PULLEY 皮带、主动轮、从动轮



POSITION NO.	CODE	CN DESCRIPTION	EN DESCRIPTION	QYT / UNIT	REMARKS
E06-01	3.00029.156.0.257651-A	卡盘滑块	SLIDE, CLAMP (3PCS/SET)	1	
E06-02	3.00029.156.0.257652	主动轮卡盘	DRIVE GEAR CHUCK	1	
E06-03	3.00029.156.0.257653-A	离心滚子组合	CENTRIFUGAL ROLLER SET (6PCS/SET)	1	
E06-04	3.00029.156.0.257654	主动轮滑动盘组合	DRIVING PULLEY SLIDING PLATE	1	
E06-05	3.00029.156.0.257655	主动轮轴套	DRIVE GEAR SLEEVE	1	
E06-06	3.00029.156.0.257656	主动轮固定盘	DRIVING PULLEY FIXING PLATE	1	
E06-07	3.00031.156.0.20808	主动轮垫圈	WASHER, DRIVING PULLEY	1	
E06-08	3.00029.076.0.25819	螺母M14x1.5	NUT M14X1.5	1	
E06-09	3.00029.157.0.25766	从动轮总成	DRIVEN PULLEY ASSY	1	
E06-10	3.00029.160.0.25767	皮带	DRIVE BELT	1	
E06-11	3.00029.076.0.25818	螺母M12	NUT M12	1	
E06-12	3.00004.080.0.20058	从动轮垫片	WASHER 12	1	

E07 LEFT CRANKCASE 左曲轴箱



POSITION NO.	CODE	CN DESCRIPTION	EN DESCRIPTION	QYT / UNIT	REMARKS
E07-01	3.00029.079.0.25761	转速传感器护罩组件	HOOD, SPEED SENSOR	1	
E07-02	3.00004.077.0.20598	定位销10×16	DOWEL PIN 10X16	2	
E07-03	3.00006.076.0.25644	气缸螺栓B	BOLT, CYLINDER B	2	
E07-04	3.00029.001.0.25705	左曲轴箱组合	CRANKCASE UNIT, LH	1	
E07-05	3.00029.076.0.25959	发动机悬挂衬套组合	SLEEVE SET, ENGINE SUSPENSION	1	
E07-06	3.00004.032.0.20783	轴承6204	BEARING 6204	1	
E07-07	3.00004.032.0.20784	轴承6301	BEARING 6301	1	
E07-08	3.00029.032.0.25865	轴承6302	BEARING 6302	1	
E07-09	3.00001.077.0.10002	定位销8×14	DOWEL PIN 8×14	2	
E07-10	3.00004.100.0.20087	驱动轴油封	OIL SEAL, DRIVE SHAFT	1	
E07-11	3.00029.100.0.25728	曲轴左油封	OIL SEAL, CRANKSHAFT, LH	1	
E07-12	3.00001.085.0.10011	机油滤网组合	GAUZE SET	1	
E07-13	3.00004.089.0.20095	机油滤网弹簧	SPRING, GAUZE	1	
E07-14	3.00004.099.0.20015	机油滤网盖O型圈	O-RING, COVER GAUZE	1	
E07-15	3.00004.052.0.20171	机油滤网盖	COVER, GAUZE	1	
E07-16	3.00029.076.0.25838	挡圈32 (左盖轴承挡圈)	RETAINER 32	1	
E07-17	3.00029.032.0.25867	滚动轴承6002-2RS	BEARING 6002-2RS	1	
E07-18	3.00029.090.0.25726	左曲轴箱盖密封垫	GASKET, CRANKCASE COVER, LH	1	
E07-19	3.00029.003.0.25987	左曲轴箱盖	COVER, CRANKCASE, LH	1	
E07-20	3.00029.079.0.25795	进风口防尘罩下壳体 (含自攻钉1件)	LOWER BODY, DUST COVER, AIR INLET	1	
E07-21	3.00029.079.0.25794	进风口防尘罩上壳体 (含进风口防尘罩轴套)	UPPER BODY, DUST COVER, AIR INLET	1	
E07-22	3.00029.099.0.25792	进风口防尘罩O型圈	O-RING, DUST COVER, AIR INLET	2	
E07-23	3.00029.130.0.25742	驱动轴固定轴套	SLEEVE, DRIVE SHAFT	1	
E07-24	3.00029.079.0.257941	进风口防尘罩轴套	BUSH, DUST COVER, AIR INLET	3	
E07-25	3.00029.130.0.25740	主支架衬套	SLEEVE SET, MAIN STAND	1	

E08 RIGHT CRANKCASE 右曲轴箱





POSITION NO.	CODE	CN DESCRIPTION	EN DESCRIPTION	QYT / UNIT	REMARKS
E08-01	3.00029.079.0.25759	风扇叶轮组合	IMPELLER SET, FAN	1	
E08-02	3.00029.076.0.25818	螺母M12	NUT M12	1	
E08-03	3.00004.080.0.20058	磁电机螺母垫片	WASHER 12	1	
E08-04	3.00029.017.0.25796	磁电机转子组合	ROTOR SET, MAGNETO	1	
E08-05	3.00029.018.0.25797	磁电机定子组合	STATOR SET, MAGNETO	1	
E08-06	3.00029.100.0.25729	曲轴右油封	OIL SEAL, CRANKSHAFT, RH	1	
E08-07	3.00029.101.0.25708	右小盖	SMALL LID, RH	1	
E08-08	3.00029.076.0.25817	定位销8×10	DOWEL PIN 8X10	2	
E08-09	3.00029.076.0.25773	水箱连接螺栓	CONNECTING BOLT, RADIATOR	4	
E08-10	3.00029.168.0.25751	磁电机线夹	PRESSING PLATE, WIRE, MAGNETO	1	
E08-11	3.00029.168.0.25750	正时链条限位板	LIMITING PLATE, TIMING CHAIN	1	
E08-12	3.00029.089.0.25722	压销弹簧	SPRING, PRESSING PIN	1	
E08-13	3.00029.053.0.25738	压销体	PRESSING PIN	1	
E08-14	3.00006.076.0.25672	曲轴箱放油螺塞	DRAIN PLUG	1	
E08-15	3.00004.080.0.25986	放油螺塞垫圈 (铜垫)	WASHER, DRAIN PLUG	1	
E08-16	3.00029.037.0.25754	机油尺	DIPSTICK	1	
E08-17	3.00001.099.0.10075	机油尺O型圈	OIL, DIPSITCK	1	
E08-18	3.00029.002.0.25706	右曲轴箱组合	CRANKCASE, RH	1	
E08-19	3.00001.077.0.10001	定位销10×14	DOWEL PIN 10?14	2	
E08-20	3.00006.076.0.25643	气缸螺栓A	BOLT, CYLINDER A	2	
E08-21	3.00029.168.0.25753	主电缆线夹	CLAMP, WIRE, MAGNETO	1	
E08-22	3.00029.130.0.25740	主支架衬套	SLEEVE SET, MAIN STAND	1	
E08-23	3.00029.076.0.25959	发动机悬挂衬套组合	SLEEVE SET, ENGINE SUSPERSION	1	
E08-24	3.00029.099.0.25732	右小盖密封圈	OIL SEAL, SMALL LID, RH	1	
E08-25	3.00029.076.0.25957	散热器连接螺栓减震套	RUBBERÿSLEEVE, CONNECTING BOLT, RADIATOR	4	
E08-26	3.00029.076.0.25956	水箱连接螺栓垫圈	WASHER, CONNECTING BOLT, RADIATOR	4	