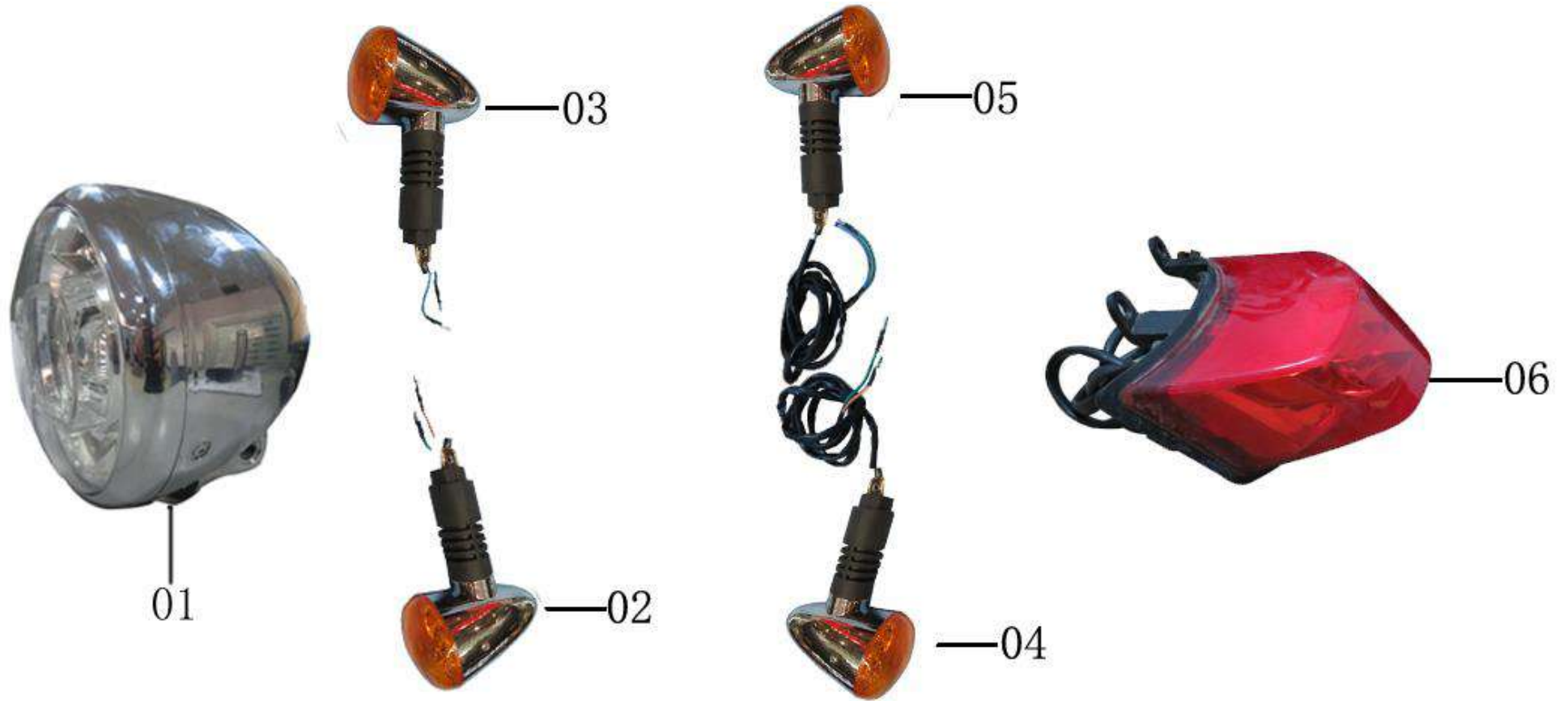
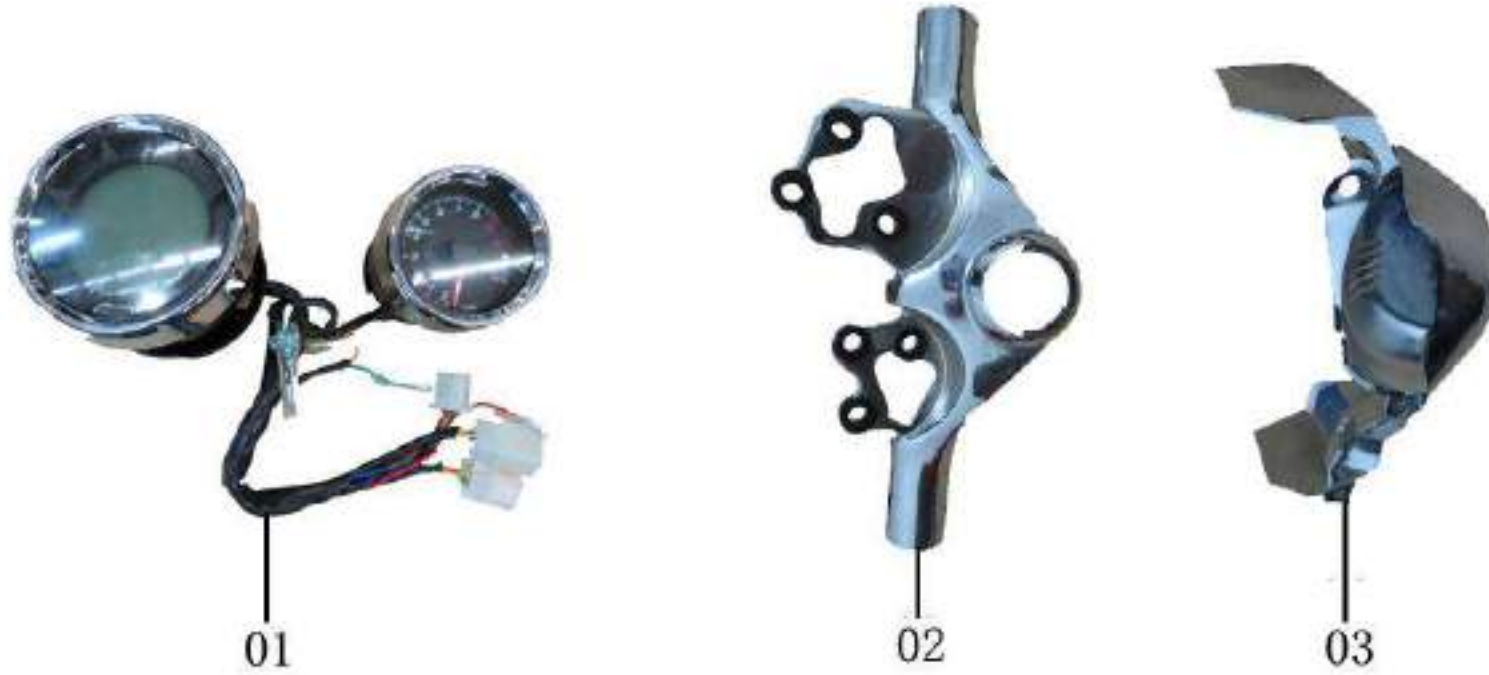


## F01 灯具 LIGHTS



Model	Position No.	Code	CN Description	EN Description	Qty/Unit	Notes
V16	F01-01	ZMD33100A1A00	前照灯总成	HEADLIGHT WIRE	1	
V16	F01-02	ZMD33550A1A00	前左转向灯	FRONT WINKER, LH	1	
V16	F01-03	ZMD33510A1A00	前右转向灯	FRONT WINKER,RH	1	
V16	F01-04	ZMD33650A1A00	后左转向灯	REAR WINKER,LH	1	
V16	F01-05	ZMD33610A1A00	后右转向灯	REAR WINKER,RH	1	
V16	F01-06	ZMD33700A0A00	尾灯总成	TAILLIGHT ASSY	1	

## F02 仪表总成 METER



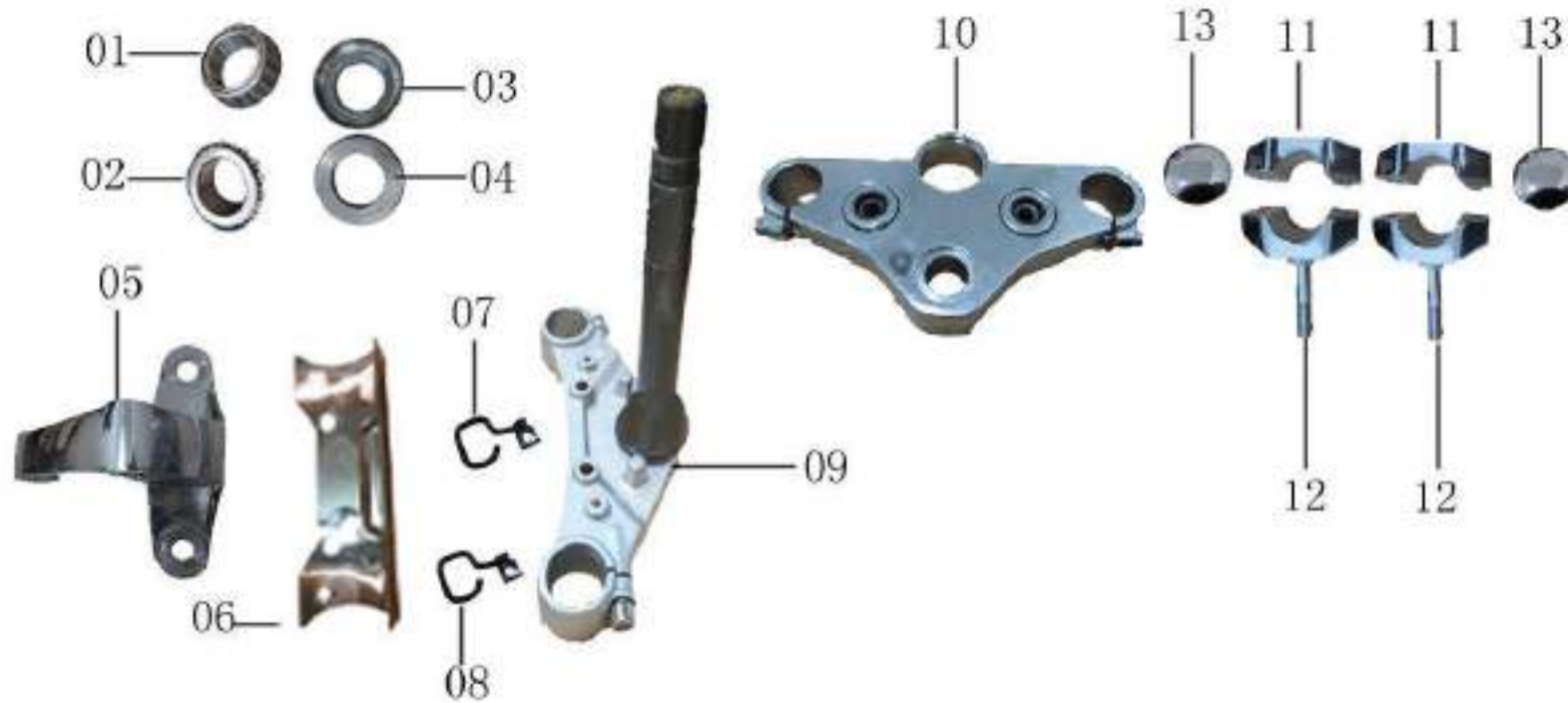
Model	Position No.	Code	CN Description	EN Description	Qty/Unit	Notes
V16	F02-01	ZMD37000A0A00	仪表总成	METER ASSY	1	
V16	F02-02	ZMD37911A0M01	仪表安装支架	BRACKET, METER	1	
V16	F02-03	ZMD43111A0M01	前照灯护罩	HOUSING, HEADLIGHT	1	

## F03 手把开关 HANDLEBAR SWITCH



Model	Position No.	Code	CN Description	EN Description	Qty/Unit	Notes
V16	F03-01	ZMD46200A0A00	离合拉索	CLUTCH CABLE	1	
V16	F03-02	ZMD47370A1M01	方向把平衡块组合	STEERING BAR WEIGHT SET	2	
V16	F03-03	ZMD47411A0A00	左握把	GRIP COMP.,LH	1	
V16	F03-04	ZMD47600A1W01	离合器手柄组合	CLUTCH LEVER HOLDER SET	1	
V16	F03-05	ZMD47611A0Z51	离合器手柄	CLUTCH LEVER	1	
V16	F03-06	ZMD57200A1M01	左后视镜	REARVIEW MIRROR	1	
V16	F03-07	ZMD35200A1A00	左手把开关	HANDLEBAR SWITCH,LH	1	
V16	F03-08	ZMD47110A0M01	方向把管组件	STEERING BAR PIPE COMP.	1	
V16	F03-09	ZMD35100A1A00	右手把开关	HANDLEBAR SWITCH,RH	1	
V16	F03-10	ZMD57100A1M01	右后视镜	REARVIEW MIRROR	1	
V16	F03-11	ZMD47300A0A00	油门握把组合	THROTTLE GRIP COMP.	1	
V16	F03-12	ZMD46310A0A00	油门拉索	THROTTLE CABLE	1	

## F04 方向柱 STEERING STEM



Model	Position No.	Code	CN Description	EN Description	Qty/Unit	Notes
V16	F04-01/03	ULU51950A0A00	方向轴承组件	STEEL BALL SET	1	SELL BY SET
V16	F04-02/04	Q96332006	方向下轴承组件	BEARING SET, LOWER, STEERING	1	SELL BY SET
V16	F04-05	ZMD33921A0M01	前照灯支架	STAY, HEADLIGHT	1	
V16	F04-06	ZMD33932A0M01	前照灯支架连接板	PLATE, HEADLIGHT STAY	1	
V16	F04-07	ZMD33937A0A00	线卡II	CLAMP II	1	
V16	F04-08	ZMD33937A0A00	线卡	CLAMP	1	
V16	F04-09	ZMD51210A0W01	方向柱组件	STEERING STEM ASSY	1	SET
V16	F04-10	ZMD51310A0W01	上联板组件	TOP STEERING STEM CONNECTION BOARD	1	
V16	F04-11	ZMD47151A0W01	方向把卡夹	HOLDER CAP	2	
V16	F04-12	ZMD47120A0W01	方向把管固定座组件	STEERING BAR HOLDER	2	
V16	F04-13	ZMA47186A0M01	方向把管固定座装饰盖	STEERING BAR PIPE HOLDER ORNAMNENT	2	

## F05 前挡泥板 减震器 FRONT FENDER & SHOCK ABSORBER



Model	Position No.	Code	CN Description	EN Description	Qty/Unit	Notes
V16	F05-01	ZMD53111A0W17-BK	前挡泥板 (黑)	FRONT FENDER - BLACK	1	
V16	F05-01	ZMD53111A0W17-BL	前挡泥板 (蓝)	FRONT FENDER - BLUE	1	
V16	F05-01	ZMD53111A0W17-WH	前挡泥板 (白)	FRONT FENDER - WHITE	1	
V16	F05-02	ZMD52611A0M01	前减震器上导筒	GUIDE SLEEVE, UPPER, FRONT SHOCK ABSORBER	2	
V16	F05-03	ZMD52500A0W01	前左减震器	FRONT SHOCK ABSORBER,LH	1	
V16	F05-04	ZMD52400A0W01	前右减震器	FRONT SHOCK ABSORBER,RH	1	
V16	F05-05	ZJY52612A0A00	上导筒上胶垫	RUBBER, UPPER GUIDE TUBE TOP	2	
V16	F05-06	ZJY52613A0A00	上导筒下胶垫	RUBBER, LOWER, UPPER GUIDE	4	
V16	F05-07	ZMD52650A0M01	前左减震器下导筒组件	GUIDE SLEEVE SET, LOWER, FRONT SHOCK ABSORBER LH	1	
V16	F05-08	ZMD52620A0M01	前右减震器下导筒组件	GUIDE SLEEVE SET, LOWER, FRONT SHOCK ABSORBER RH	1	
V16	F05-09	ZMD52439A0A00	防尘盖	DUST COVER	1	
V16	F05-10	ZMD52437A0A00	减震器油封	FRONT SHOCK ABSORBER OIL SEAL	1	
V16	F05-11	ZMD56770A0B14	前制动油管支架组件II	STAY SET II, FRONT BRAKE HOSE	1	
V16	F05-12	ZMD62100A0M01	后减震器总成	REAR SHOCK ABSORBER ASSY	2	

F06 护板 侧盖 GUARD & SIDE COVER



01



03



02



04



05



06



07



08



09



10



11



12



13



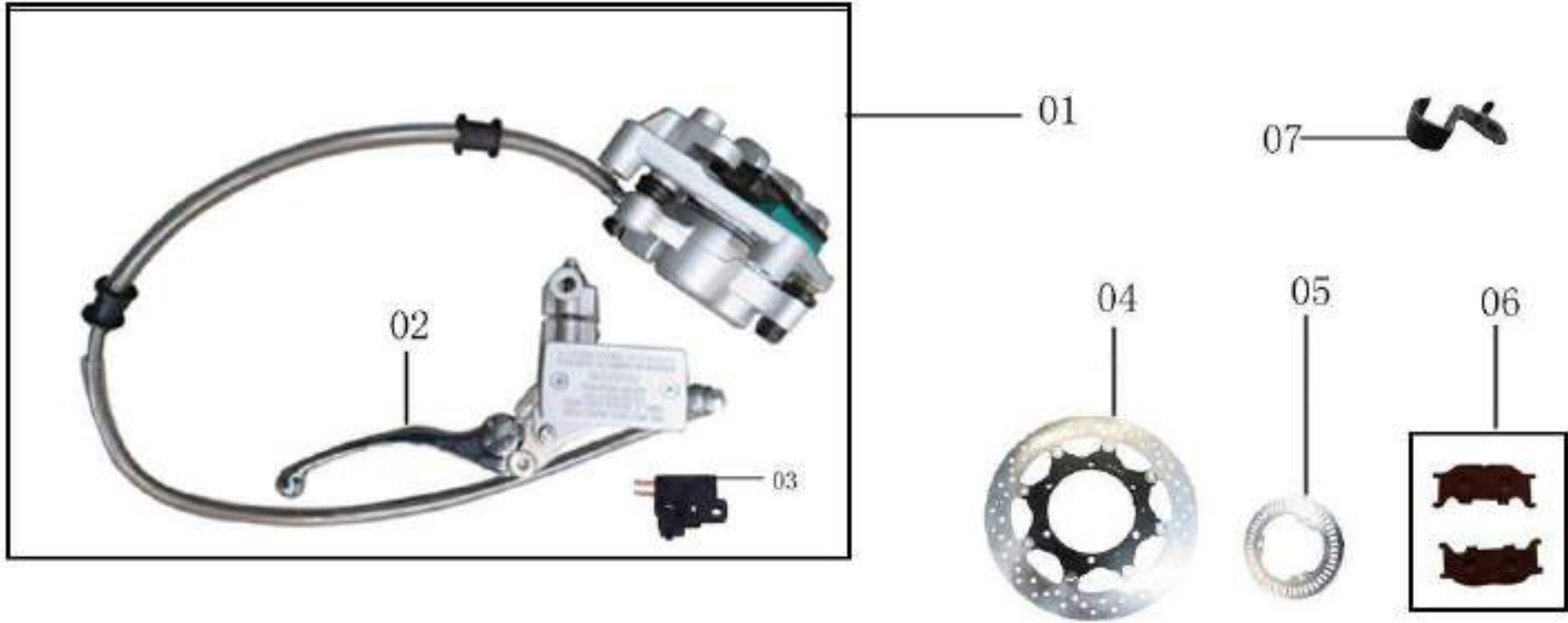
14



15

Model	Position No.	Code	CN Description	EN Description	Qty/Unit	Notes
V16	F06-01	ZMD43461A0A00	左护板	GUARD, LH	1	
V16	F06-02	ZMD43361A0A00	右护板	GUARD, RH	1	
V16	F06-03	QLP33810A0A00	前反射器	REFLECTOR, SIDE	1	
V16	F06-04	ZMD43310A1W17-BK	右侧盖组件 (黑)	COVER, SIDE, RH - BLACK	1	
V16	F06-04	ZMD43310A1W17-BL	右侧盖组件 (蓝)	COVER, SIDE, RH - BLUE	1	
V16	F06-04	ZMD43310A1W17-WH	右侧盖组件 (白)	COVER, SIDE, RH - WHITE	1	
V16	F06-05	ZMD43410A1W17-BK	左侧盖组件 (黑)	COVER, SIDE, LH - BLACK	1	
V16	F06-05	ZMD43410A1W17-BL	左侧盖组件 (蓝)	COVER, SIDE, LH - BLUE	1	
V16	F06-05	ZMD43410A1W17-WH	左侧盖组件 (白)	COVER, SIDE, LH - WHITE	1	
V16	F06-06	ZMD43572A0A00	发动机左装饰盖底座	SUPPORT, ORNAMENT, ENGINE LH	1	
V16	F06-07	ZMD43932A0B14	侧盖锁座	SEAT, SIDE COVER LOCK	1	
V16	F06-08	ZMD43571A0M01	发动机左装饰罩	ORNAMENT, ENGINE, LH	1	
V16	F06-09	ZMD65120A0A00	后制动器盖组件	COVER SET, REAR BRAKE	1	
V16	F06-10	ZMD43333A0A00	下护板	GUARD, LOWER	1	
V16	F06-11	ZMD56451A0A00	制动油杯油窗	OIL SIGHT GLASS, BRAKE RESERVOIR	1	
V16	F06-12	ZMD43681A0A00	中置物箱	TRUNK, MID	1	
V16	F06-13	ZMD43612A0A00	工具箱盖	COVER, TOOL BOX	1	
V16	F06-14	ZMD43611A0A00	工具箱	BOX, TOOL	1	
V16	F06-15	ZMD43580A0M01	后右装饰盖组件	ORNAMENTAL COVER,RH	1	

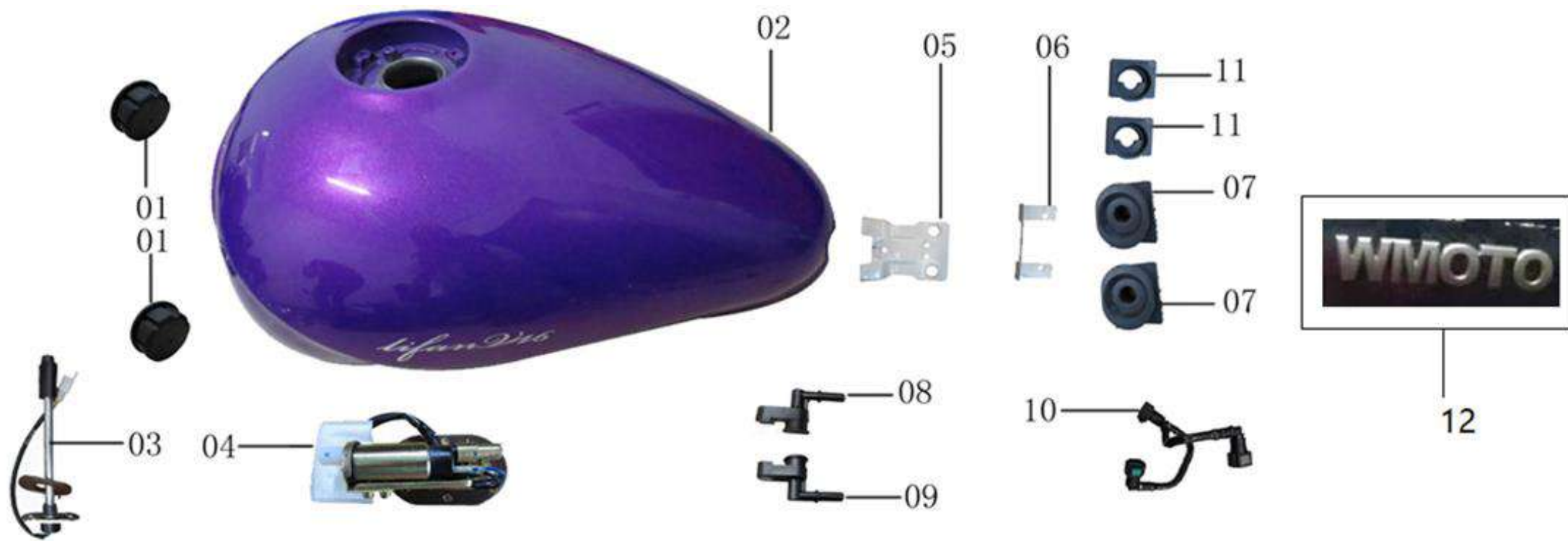
F07 前液压制动器总成 FRONT HYDRAULIC BARKE ASSY



Model	Position No.	Code	CN Description	EN Description	Qty/Unit	Notes
V16	F07-01	ZMD56010A1A00	前液压制动器组合	FRONT HYDRAULIC BRAKE ASSY	1	
V16	F07-02	ZMD47511A0Z51	前制动手柄	FRONT BRAKE LEVER	1	
V16	F07-03	ZMD35310A0A00	前制动开关	FRONT BRAKE SWITCH	1	
V16	F07-04	ZMD56310A0B01	前制动盘组合	FRONT BRAKE DISC	1	
V16	F07-05	ZMD54216A0N01	前齿圈	RING GEAR, FRONT	1	
V16	F07-06	ZMD56520A1A00	前制动蹄片	FRONT BRAKE PAD	1	
V16	F07-07	ZMD56762A0B14	前制动油管线夹	CIRCLIP, HOSE	1	



F08 油箱 FUEL TANK



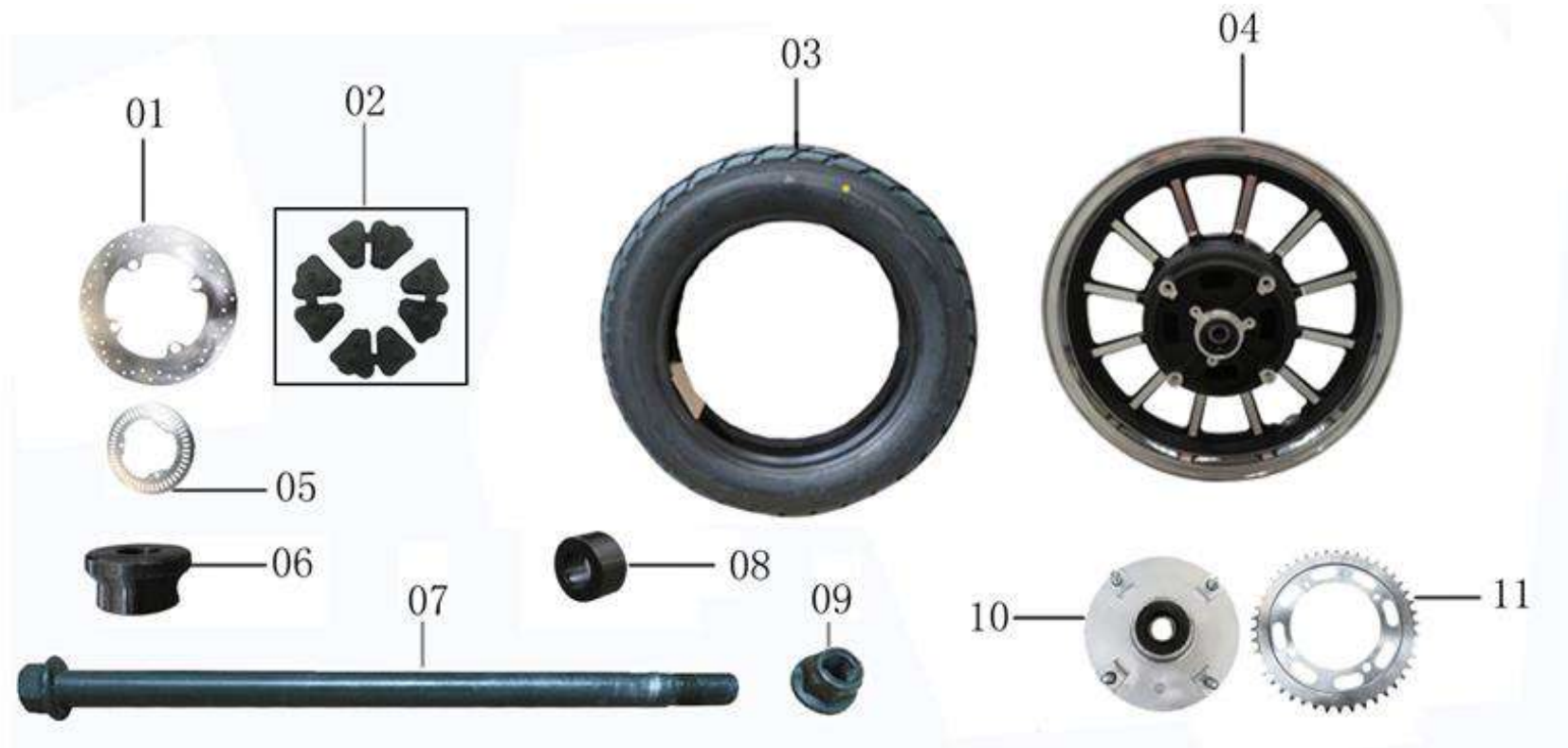
Model	Position No.	Code	CN Description	EN Description	Qty/Unit	Notes
V16	F08-01	ZMB16951A2A00	油箱前减震垫	FUEL TANK FRONT CUSHION	2	
V16	F08-02	ZMD16610A1W17-BK	油箱组合 (黑)	FUEL TANK WELDMENT - BLACK	1	
V16	F08-02	ZMD16610A1W17-BL	油箱组合 (蓝)	FUEL TANK WELDMENT - BLUE	1	
V16	F08-02	ZMD16610A1W17-WH	油箱组合 (白)	FUEL TANK WELDMENT - WHITE	1	
V16	F08-03	ZMD37810A0A00	燃油传感器	SENSOR, FUEL	1	
V16	F08-04	TY039520A1A00	燃油泵	PUMP, OIL	1	
V16	F08-05	ZMD16971A0C27-BK	油箱后安装支架 (黑)	STAY, REAR FUEL TANK - BLACK	1	
V16	F08-05	ZMD16971A0C27-BL	油箱后安装支架 (蓝)	STAY, REAR FUEL TANK - BLUE	1	
V16	F08-05	ZMD16971A0C27-WH	油箱后安装支架 (白)	STAY, REAR FUEL TANK - WHITE	1	
V16	F08-06	ZMD16991A0C27	油箱后安装压板	PRESSING PLATE, REAR FUEL TANK	1	
V16	F08-07	ZMD16996A0A00	油箱后安装上胶圈	GROMMET, UPPER, REAR FUEL TANK	2	
V16	F08-08	ZMD39614A0A00	油轨	FUEL RAIL	1	
V16	F08-09	ZMD39614A0A00	油轨	FUEL RAIL	1	
V16	F08-10	ZMD16750A0A00	油管三通组合	PIPE TEE COMP., HOSE	1	
V16	F08-11	ZMD16995A0A00	油箱后减震垫	FUEL TANK REAR CUSHION	2	
V16	F08-12	ZMD59115A2M01	标贴	LOGO	1	

F09 前轮总成 FRONT WHEEL ASSY



Model	Position No.	Code	CN Description	EN Description	Qty/Unit	Notes
V16	F09-01	ZMD54700A1A00	前轮外胎	TYRE, FRONT	1	
V16	F09-02	ZMD54100A0B01	前轮毂组合	HUB COMP., FRONT WHEEL	1	
V16	F09-03	ZMD54911A0W01	前轮轴	AXLE, FRONT	1	
V16	F09-04	ZMD54912A0N05	前轮右衬套	BUSH, FRONT WHEEL, RH	1	
V16	F09-05	ZMD37870A0A00	速度传感器组合	SENSOR, SPEED	1	

## F10 后轮 REAR WHEEL



Model	Position No.	Code	CN Description	EN Description	Qty/Unit	Notes
V16	F10-01	ZMD66311A0A00	后制动盘	DISC, REAR BRAKE	1	
V16	F10-02	ZMD64253A0A00	后轮缓冲块	BUFFER, REAR WHEEL	1	
V16	F10-03	ZMD64700A0A00	后轮外胎	TYRE, REAR	1	
V16	F10-04	ZMD64100A0B01	后轮毂组合	HUB, REAR WHEEL	1	
V16	F10-05	ZMD54216A0N01	前齿圈	RING GEAR, FRONT	1	
V16	F10-06	ZMD64913A0N05	后轮左衬套	REAR WHEEL BUSH,LH	1	
V16	F10-07	ZMD64911A0N05	后轮轴	AXLE, REAR	1	
V16	F10-08	ZMD64912A0N05	后轮右衬套	REAR WHEEL BUSH, RH	1	
V16	F10-09	Q330B14F15	螺母	NUT	1	
V16	F10-10	ZMA68511A0W01	链轮毂	HUB ASSY, SPROCKET	1	
V16	F10-11	ZMA68521A0N01	链轮	SPROCKET	1	

## F11 座垫 SEAT



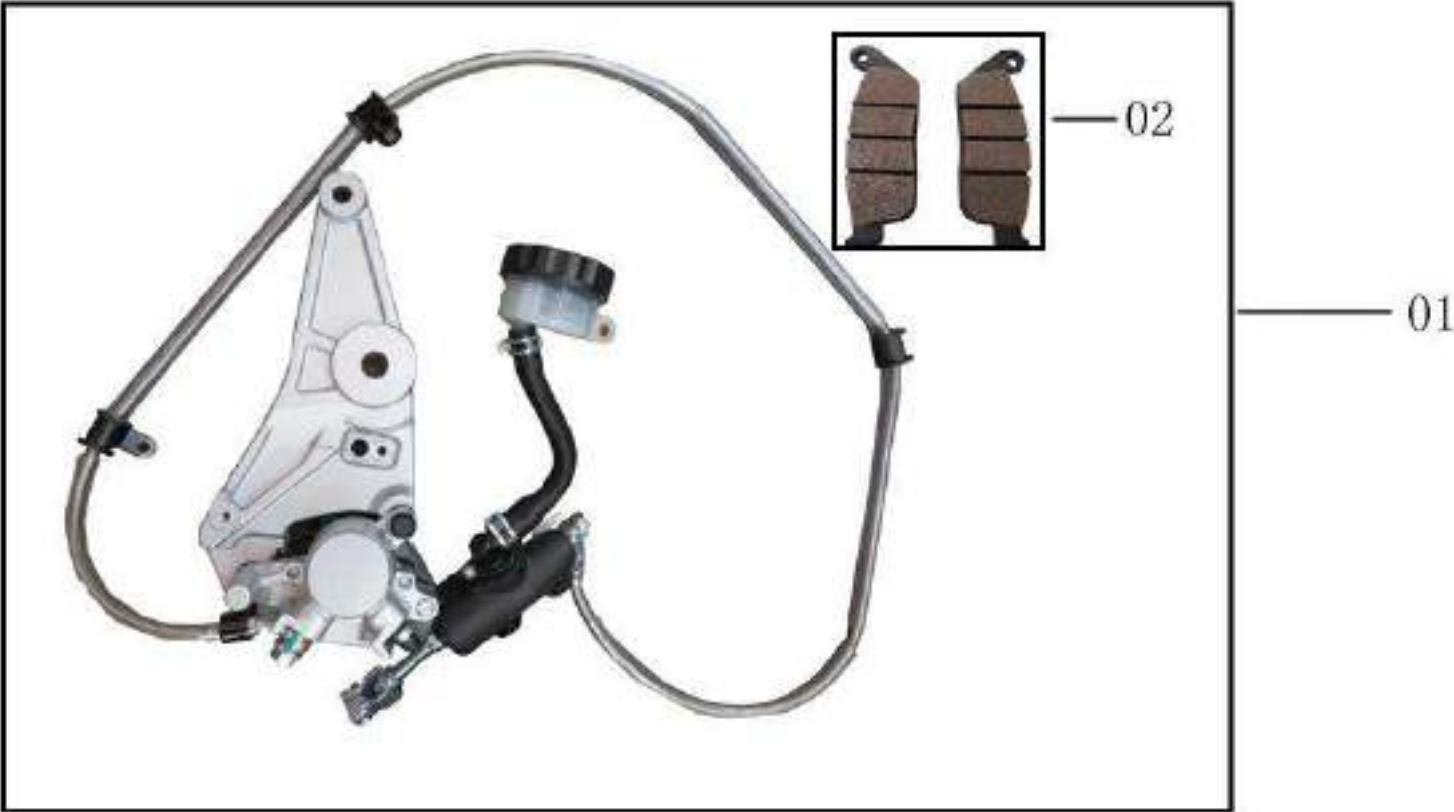
Model	Position No.	Code	CN Description	EN Description	Qty/Unit	Notes
V16	F11-01	QLP33820A0A00	后反射器	REAR REFLECTOR	1	
V16	F11-02	ZMD44351A0A00	后反射器固定支架	STAY, REAR REFLECTOR	1	
V16	F11-03	ZMD44340A0B14	后座垫前连接板组件	PLATE SET, PILLION FRONT CONNECTING	1	
V16	F11-04	ZMD44300A0A00	后座垫总成	PASSENGER SEAT ASSY	1	
V16	F11-05	ZMD44922A0A00	座垫后连接板胶垫	RUBBER, SEAT REAR CONNECTING PLATE	1	
V16	F11-06	FB093733D6N07	衬套	BUSH	1	
V16	F11-07	ZMD44921A0B14	座垫后连接板	PLATE, PILLION REAR CONNECTING	1	
V16	F11-08	ZMD44100A0A00	前座垫总成	SEAT ASSY	1	

## F12 后挡泥板 REAR FENDER



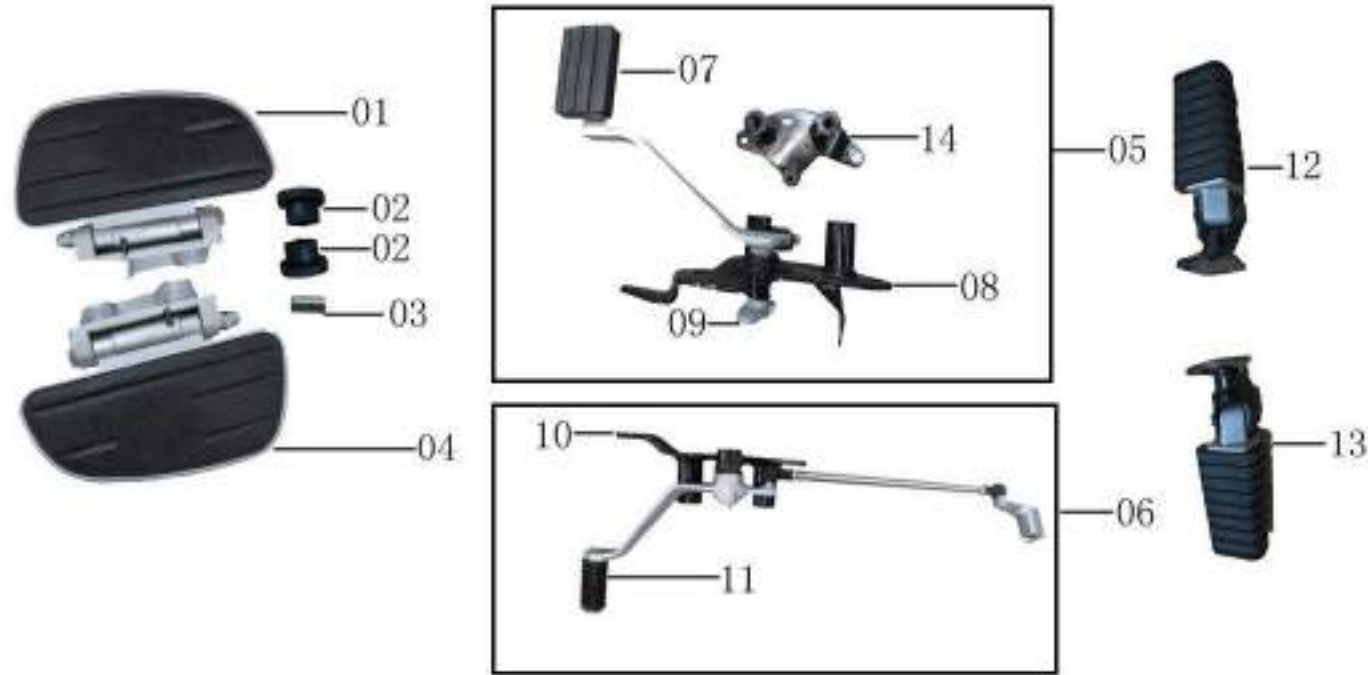
Model	Position No.	Code	CN Description	EN Description	Qty/Unit	Notes
V16	F12-01	ZMD43591A0M01	后左装饰盖	ORNAMENT, REAR, LH	1	
V16	F12-02	ZMD63111A0W17-BK	后挡泥板 (黑)	FENDER, REAR - BLACK	1	
V16	F12-02	ZMD63111A0W17-BL	后挡泥板 (蓝)	FENDER, REAR - BLUE	1	
V16	F12-02	ZMD63111A0W17-WH	后挡泥板 (白)	FENDER, REAR - WHITE	1	
V16	F12-03	ZMD43581A0M01	后右装饰盖	ORNAMENT, REAR, RH	1	
V16	F12-04	ZMD63151A0W17-BK	后挡泥板后体 (黑)	TAIL, REAR FENDER - BLACK	1	
V16	F12-04	ZMD63151A0W17-BL	后挡泥板后体 (蓝)	TAIL, REAR FENDER - BLUE	1	
V16	F12-04	ZMD63151A0W17-WH	后挡泥板后体 (白)	TAIL, REAR FENDER - WHITE	1	
V16	F12-05	ZMD63794A0A00	后牌照减震垫	CUSHION, REAR LICENSE PLATE	1	
V16	F12-06	ZJX63711A0B14	后牌照支架	REAR LICENSE BRACKET COMP.	1	
V16	F12-07	ZMD63910A0B14	后挡泥板支架组件	BRACKET SET, REAR FENDER REAR BODY	1	

F13 后制动器 REAR BRAKE



Model	Position No.	Code	CN Description	EN Description	Qty/Unit	Notes
V16	F13-01	ZMD66010A0A00	后液压制动器组合	REAR HYDRAULIC DISC BRAKE	1	
V16	F13-02	ZMD66520A1A00	后制动蹄片	REAR BRAKE SHOE SET	1	

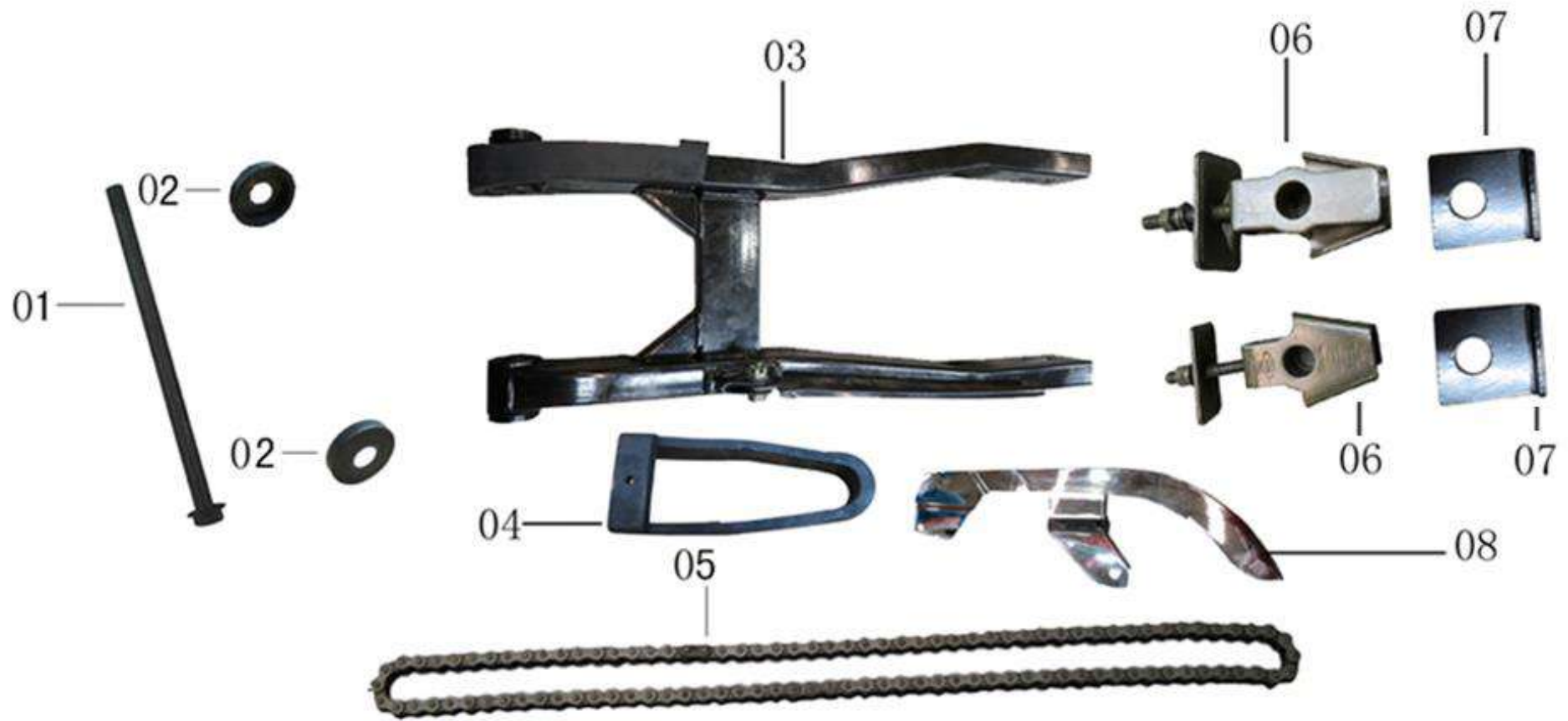
## F14 搁脚组合 FOOTREST



Model	Position No.	Code	CN Description	EN Description	Qty/Unit	Notes
V16	F14-01	ZMD42300A0W01	前右搁脚总成	FOOTREST ASSY, RIDER, RH	1	
V16	F14-02	ZMD42353A0A00	胶垫	RUBBER	2	
V16	F14-03	ZMD42351A0A00	衬套	BUSH	1	
V16	F14-04	ZMD42400A0W01	前左搁脚总成	FOOTREST ASSY, RIDER, LH	1	
V16	F14-05	ZMD42930A0B14	前右搁脚踏板支架组合	BRACKET COMP., RIDER FOOTREST RH	1	
V16	F14-06	ZMD42940A1B14	前左搁脚踏板支架组合	BRACKET COMP., RIDER FOOTREST LH	1	
V16	F14-07	ZMD65410A0W01	后制动踏板	PEDAL, REAR BRAKE	1	
V16	F14-08	ZMD42440A0B14	后踏板安装支架	BRACKET, REAR PEDAL	1	
V16	F14-09	ZMD65183A0A00	后制动摇臂	REAR BRAKE PEDAL ARM SET	1	
V16	F14-10	ZMD42440A0B14	前左搁脚安装支架	BRACKET, RIDER FOOTREST LH	1	
V16	F14-11	ZMD24700A0B16	变档杆总成	LEVER, GEARSHIFT	1	
V16	F14-12	ZMD42500A0W01	后右搁脚总成	FOOTREST ASSY, PILLION, RH	1	
V16	F14-13	ZMD42600A0W01	后左搁脚总成	FOOTREST ASSY, PILLION, LH	1	
V16	F14-14	ZMD42340A0B14	前右搁脚杆组件 (含右搁脚安装支架)	BRACKET, REAR PEDAL WITH RIDER FOOTREST RH	1	



## F15 后叉 REAE FORK



Model	Position No.	Code	CN Description	EN Description	Qty/Unit	Notes
V16	F15-01	ZMD61951A0N05	后叉轴	SHAFT, REAR FORK	1	
V16	F15-02	ZMD61240A0N05	后叉轴防尘盖组件	DUST COVER, REAR FORK SHAFT	2	
V16	F15-03	ZMD61101A0B14	后叉组合	FORK COMP., REAR	1	
V16	F15-04	ZMD61491A0A00	链条护卡	GUIDE, CHAIN	1	
V16	F15-05	Q980530116C	链条530×116	CHAIN530×116	1	
V16	F15-06	UMX61400A0N04	链条调节器组合	ADJUSTER SET, CHAIN	2	
V16	F15-07	QMA61422A0B01	链条调节器定位板	STOPPER SET, CHAIN ADJUSTER	2	
V16	F15-08	ZMD61310A0M01	链盒组件	CHAINCASE	1	

## F16 空气滤清器总成 AIR CLEANER ASSY



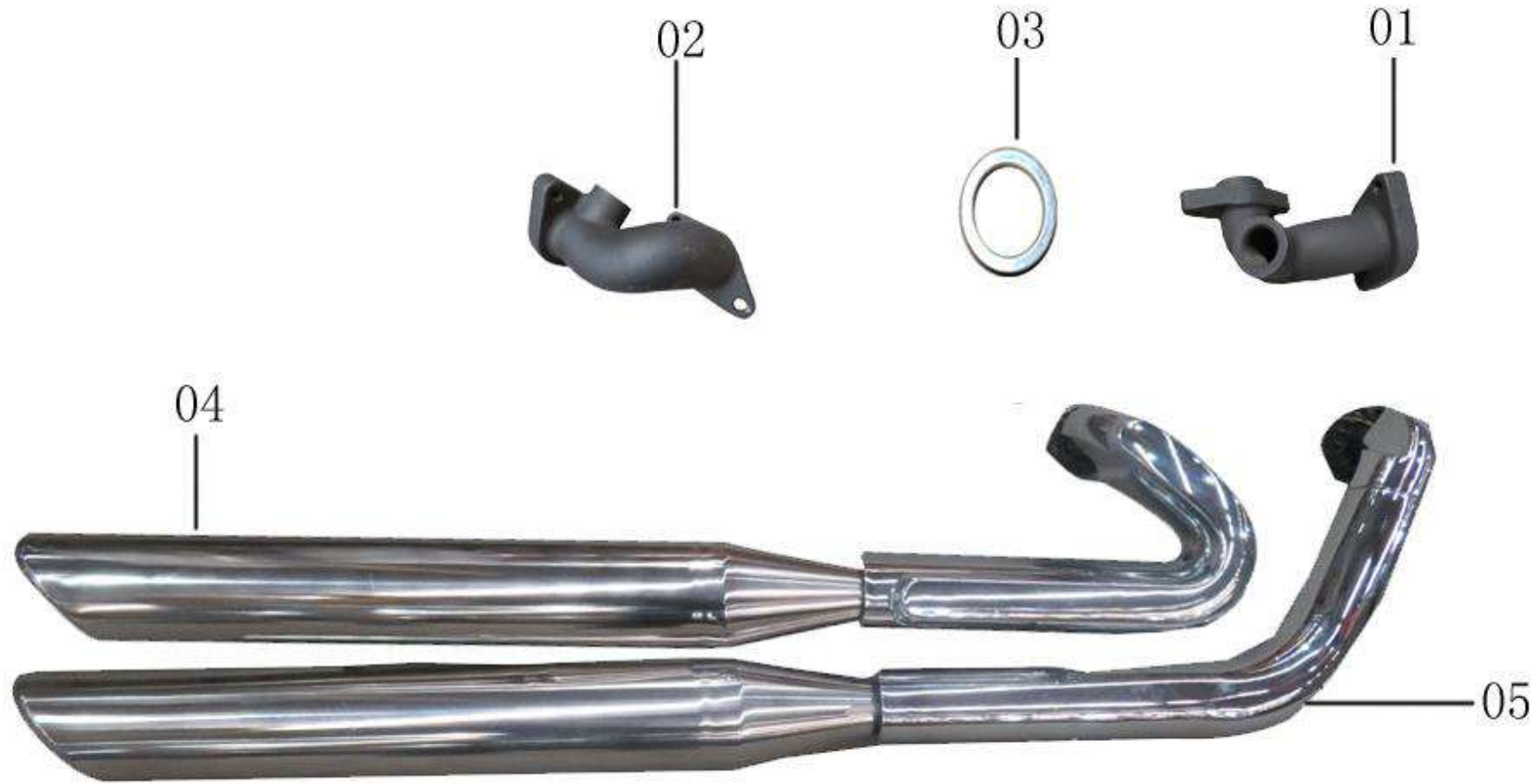
Model	Position No.	Code	CN Description	EN Description	Qty/Unit	Notes
V16	F16-01	ZMD17610A0A00	空滤器进气室组合	CHAMBER COMP., AIR CLEANER	1	
V16	F16-02	ZMD17181A0M01	空滤器盖	AIR CLEANER COVER	1	
V16	F16-03	ZMD17100A0A00	空气滤清器总成	AIR CLEANER	1	
V16	F16-04	ZMD17120A0A00	空滤器滤芯	ELEMENT, AIR CLEANER	1	
V16	F16-05	ZMD17911A0B14	空滤器连接板	PLATE, AIR CLEANER CONNECTING	1	
V16	F16-06	ZMD17920A0B14	空滤器滤芯支架	BRACKET, AIR CLEANER ELEMENT	1	
V16	F16-09	ZMD20181A0A00	废气管	CRANKCASE	1	
V16	F16-10	ZMD20152A0A00	曲轴箱废气管	CRANKCASE WASTE PIPE	1	
V16	F16-11	GIA20201A1A00	油气分离器II	SEPARATOR, OIL/GAS	1	

## F17 车架总成 FRAME BODY



Model	Position No.	Code	CN Description	EN Description	Qty/Unit	Notes
V16	F17-01	ZMD48000A0A00	锁具总成	LOCK ASSY	1	
V16	F17-02	ZMD41100A0B15	车架焊接总成	BODY WELDMENT, FRAME	1	
V16	F17-03	ZMD42711A0B14	发动机前连板	PLATE, ENGINE FRONT CONNECTING	1	
V16	F17-04	ZMD42750A0B14	发动机后上连板组合	PLATE COMP., ENGINE REAR TOP CONNECTING	1	
V16	F17-05	ZMD42754A0B14	发动机后上连板II	PLATE II, REAR TOP CONNECTING	1	
V16	F17-06	ZMD42200A1A00	侧支架	STAND, SIDE	1	
V16	F17-07	ZMD42926A0B14	侧支架弹簧挂板	SIDE STAND SPRING LATCH	1	
V16	F17-08	ZMD42922A0N05	侧支架回位弹簧	SPRING, SIDE STAND	1	
V16	F17-09	QGR65419A0A00	侧支架限位胶垫	RUBBER,CENTER STAND, SIDE	1	

F18 排气消声器总成 EXHAUST MUFFLER ASSY



Model	Position No.	Code	CN Description	EN Description	Qty/Unit	Notes
V16	F18-01	VMP18211A2B11	前排气管	FRONT EXHAUST PIPE SET	1	
V16	F18-02	VMP18611A1B11	后排气管	PIPE SET, EXHAUST	1	
V16	F18-03	YHL18920A0A00	消声器密封垫组件	GASKET SET, MUFFLER	1	
V16	F18-04	ZME18100A0A00	上排气消声器组合	EXHAUST MUFFLER COMP., UPPER	1	
V16	F18-05	ZME18400A0A00	下排气消声器组合	MUFFLER COMP., EXHAUST, BOTTOM	1	

## F19 电器 ELECTRICAL ELEMENTS



01



02



03



04



08



05



05



06



07

Model	Position No.	Code	CN Description	EN Description	Qty/Unit	Notes
V16	F19-01	ZMA31500A0A00	蓄电池	BATTERY	1	
V16	F19-02	ZMD32100A1A00	主电缆	CABLE, MAIN	1	
V16	F19-03	NIX38100A1B01	喇叭	HORN	1	
V16	F19-04	DTX38210A0A00	闪光继电器	RELAY, FLASHING	1	
V16	F19-05	JJJ38280A0A00	电喷主继电器	EFI RELAY	2	
V16	F19-06	ZMD35330A0A00	后制动开关	REAR BRAKE SWITCH	1	
V16	F19-07	ZMD35913A0N05	后制动开关拉簧	SPRING,REAR BRAKE SWITCH	1	
V16	F19-08	ZME31710A0A00	保险管	FUS COMP.	1	

F20 燃油蒸发系统 FUEL EVAPORATING SYSTEM



Model	Position No.	Code	CN Description	EN Description	Qty/Unit	Notes
V16	F20-01	ZMD20300A0A00	燃油蒸发控制系统	FUEL EVAPORATING SYSTEM	1	SET

## F21 电喷系统 ELECTRONIC FUEL INJECTION SYSTEM



Model	Position No.	Code	CN Description	EN Description	Qty/Unit	Notes
V16	F21-01	VMP39330A1A00	进气压力传感器	SENSOR, INTAKE AIR PRESSURE	1	
V16	F21-02	VMP39100A1A00	电喷控制器 (ECU)	EFI CONTROLLER	1	
V16	F21-03	VMP39360A0A00	缸温传感器	WATER TEMPERATURE SENSOR	1	
V16	F21-04	VMP39650A1A00	喷油器	INJECTOR	2	
V16	F21-05	VMP39310A0A00	氧传感器	OXYGEN SENSOR	2	
V16	F21-07	VMP39601A0A00	节气门阀体组合	THROTTLE BODY	1	

# E01 气缸头&气缸体 CYLINDER HEAD & CYLINDER BLOCK



## 2.1.1 Removal, Maintenance and Installation

1) Remove the cylinder head cover (A&B) from the engine.





Model	Position No.	Code	CN Description	EN Description	Qty/Unit	Notes
V16	E01-01	VMA12243A0M01	气门盖	VALVE COVER	4	
V16	E01-02	VMA12246A0A00	气门盖O型圈	VALVE COVER O-RING 44.5X3.1	4	
V16	E01-03	VMP12510A0B08	气缸头装饰盖组件	ORNAMENT,CYLINDER HEAD COMP. I	1	
V16	E01-04	VMP12210A4B08	气缸头组合 I	CYLINDER HEAD COMP. I	1	
V16	E01-05	VMP12242A0B08	气缸头左盖	CYLINDER HEAD COVER,LH	2	
V16	E01-06	VMA12247A2A00	气缸头左盖O型圈	CYLINDER HEAD COVER O-RING,LH 79X2.9	2	
V16	E01-07	VMA12245A1A00	气缸头左盖密封垫	CYLINDER HEAD COVER GASKET, LH	2	
V16	E01-08	VMP12230A2B08	气缸头组合II	CYLINDER HEAD COMP. II	1	
V16	E01-09	VMP12520A0B08	气缸头装饰盖组件II	ORNAMENT,CYLINDER HEAD COMP. II	1	
V16	E01-10	VMA34210A0A00	火花塞	SPARK PLUG	2	
V16	E01-11	Q1290645F12	螺柱M6×45	STUD M6X42	4	
V16	E01-12	VMA12220A1A00	气缸头密封垫组合	CYLINDER HEAD GASKET	2	
V16	E01-13	GIA11118A0A00	气缸头定位销	CYLINDER HEAD DOWEL PIN 10X14	8	
V16	E01-14	VMP12110A0B08	气缸体组合 I	CYLINDER BLOCK COMP. I	1	
V16	E01-15	VMP12150A0B08	气缸体组合II	CYLINDER BLOCK COMP. II	1	
V16	E01-16	VMA12121A2A00	气缸体密封垫	CYLINDER BLOCK GASKET	1	
V16	E01-17	VMA12122A0A00	气缸体密封垫II	CYLINDER BLOCK GASKET II	1	
V16	E01-18	Q983A081815216TF2	气缸螺栓M8×216	CYLINDER BOLT M8X216	8	
V16	E01-19	BJX12313A0M01	发动机盖形螺母	CAP NUT	8	
V16	E01-20	VMA14519A1A00	张紧器密封垫	TENSIONER GASKET	2	
V16	E01-21	VMP17310A8Z50	进气管组件	INLET PIPE SET	1	
V16	E01-22	VMP17312A0N01	进气管后法兰	INLET PIPE FLANGE	2	
V16	E01-23	VMP17318A0A00	进气管O型圈	O-RING,INLET PIPE	2	
V16	E01-24	Q67650T31	环箍50	INLET PIPE CLIP	1	
V16	E01-25	VMP12381-0001	气缸头罩II	CYLINDER HEAD COVER II	1	
V16	E01-26	VMP12411-0001	气缸头罩III	CYLINDER HEAD COVER III	1	
V16	E01-27	VMP12412A2M01	气缸头罩IV	CYLINDER HEAD COVER IV	1	
V16	E01-28	VMP12321A3M01	气缸头罩	CYLINDER HEAD COVER	1	

## E02 气缸头支架 CYLINDER HEAD BRACKET



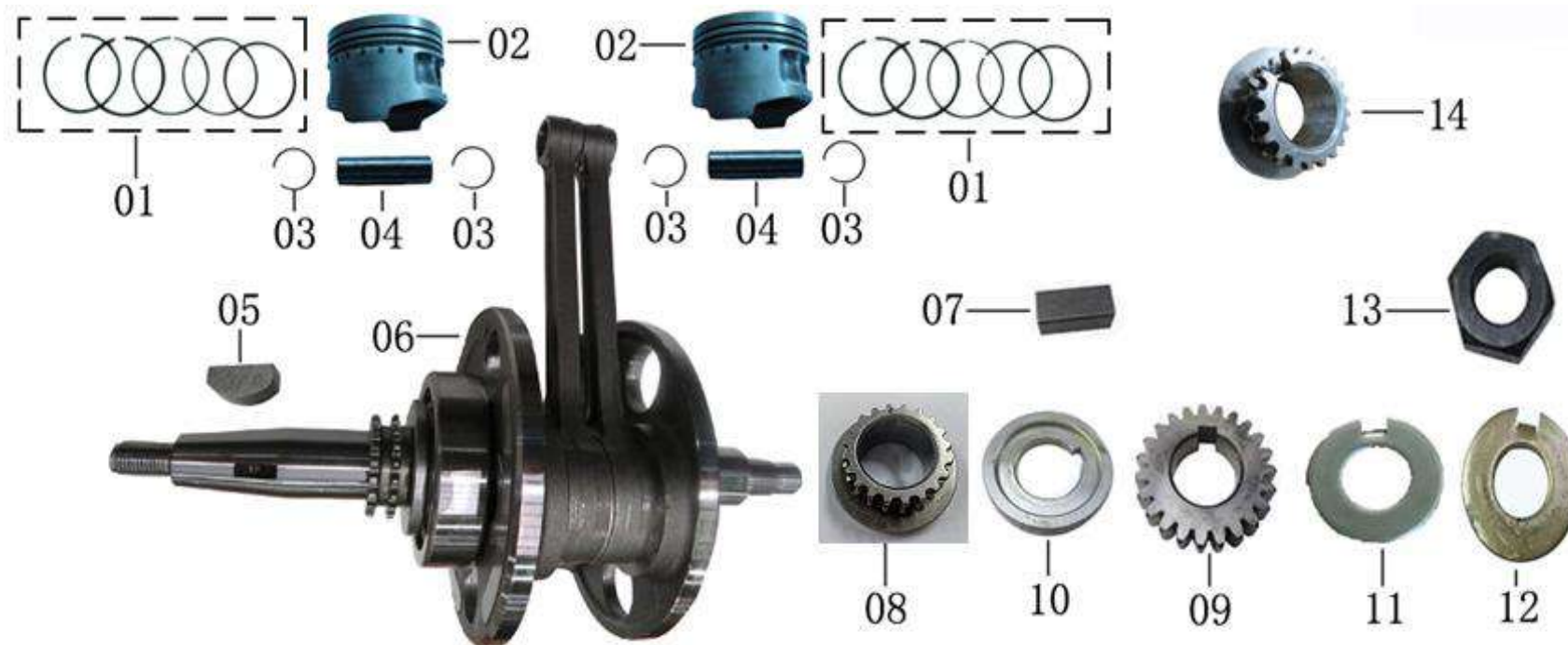
Model	Position No.	Code	CN Description	EN Description	Qty/Unit	Notes
V16	E02-01	VMP12420A0N05	气缸头罩支架组件	CYLINDER HEAD COVER SUPPORT COMP.	1	
V16	E02-02	VMP12920A0N05	气缸头左挂架组件	CYLINDER HEAD BRACKET LH	1	
V16	E02-03	VMP12910A0N05	气缸头右挂架组件	CYLINDER HEAD BRACKET RH	1	
V16	E02-04	VMP12440A0N05	气缸头罩支架组件II	CYLINDER HEAD COVER SUPPORT COMP.II	1	
V16	E02-05	VMP12480A0A00	气缸头罩隔热垫组件	CYLINDER HEAD COVER THERMAL INSULATION	1	
V16	E02-06	VMP12490A0A00	气缸头罩隔热垫组件II	CYLINDER HEAD COVER THERMAL INSULATION II	1	

# E03 配气机构 VALVE TRAIN



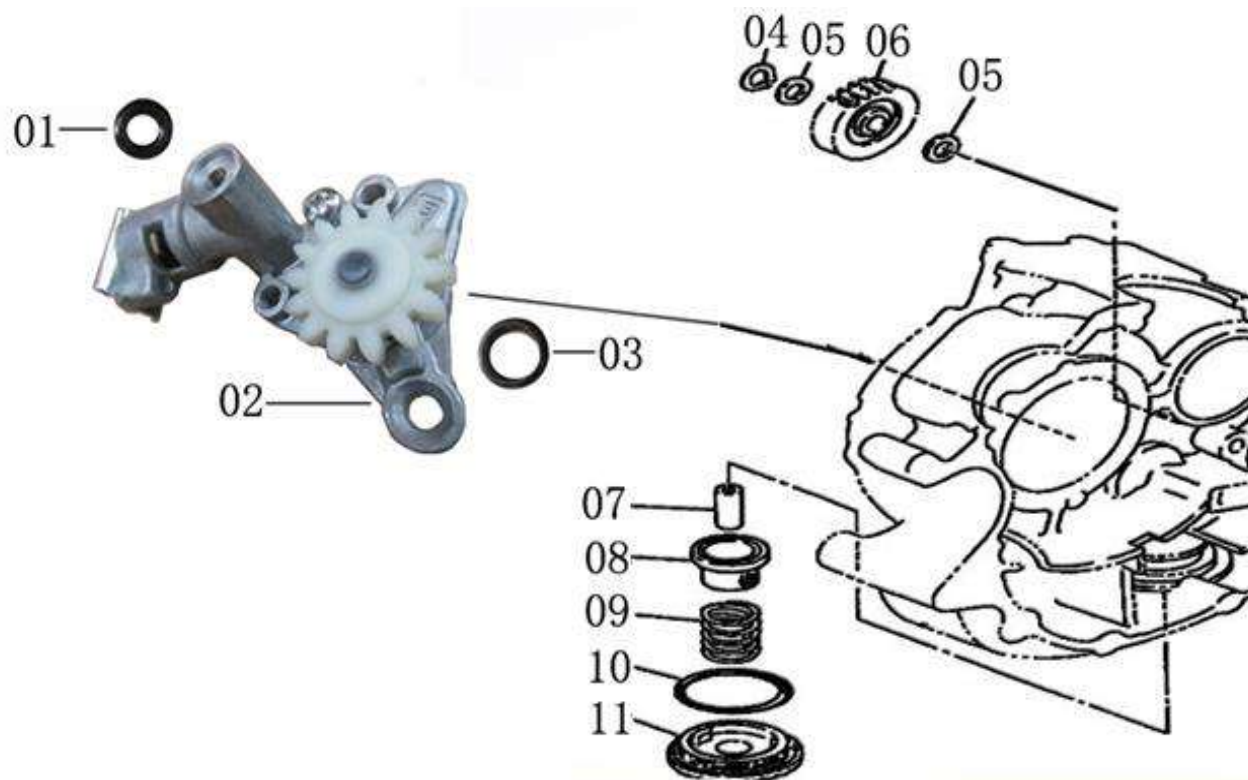
Model	Position No.	Code	CN Description	EN Description	Qty/Unit	Notes
V16	E03-02	VMA14411A0A00	气门摇臂	VALVE ROCKER ARM	4	
V16	E03-03	VMA14752A0A00	气门锁夹	VALVE SPLIT CONE	8	
V16	E03-04	VMA14751A0A00	气门弹簧上座	VALVE SPRING UPPER SEAT	4	
V16	E03-05	VMA14126A0A00	凸轮轴衬套压板	CAMSHAFT BUSH CLAMPING PLATE	2	
V16	E03-06	VMA14113A0A00	凸轮轴衬套	CAMSHAFT BUSH	2	
V16	E03-07	VMA14111A0A00	凸轮轴	CAMSHAFT	1	
V16	E03-08	VMA14121A0A00	凸轮轴II	CAMSHAFT II	1	
V16	E03-09	VMA14321A1A00	正时从动链轮	TIMING DRIVEN SPROCKET	2	
V16	E03-10	VMA14755A0A00	气门弹簧	VALVE OUTER SPRING	4	
V16	E03-11	PGA14730A0A00	挡油罩	VALVE STEM OIL SEAL	4	
V16	E03-12	VMA14753A0A00	气门弹簧下座	VALVE OUTER SPRING SEAT	4	
V16	E03-13	VMA14710A0A00	进气门	INTAKE VALVE	2	
V16	E03-14	VMA14720A0A00	排气门	EXHAUST VALVE	2	
V16	E03-15	VMP14610A0A00	导向板	GUIDE WHEEL	1	
V16	E03-16	VMA14350A1A00	正时链条	TIMING CHAIN	1	
V16	E03-17	VMP14640A0A00	张紧板总成	TENSIONING PLATE	1	
V16	E03-18	VMA14500-0001	张紧器总成	TENSIONER ASSY	1	

## E04 曲柄连杆 & 活塞总成 CRANKSHAFT & PISTO SAAY



Model	Position No.	Code	CN Description	EN Description	Qty/Unit	Notes
V16	E04-01	VMA13300A0A00	活塞环组	PISTON RING SET	2	
V16	E04-02	VMA13211A0A00	活塞	PISTON	2	
V16	E04-03	VMA13222A0A00	活塞销挡圈	PISTON PIN CIRCLIP	4	
V16	E04-04	VMA13221A0A00	活塞销	PISTON PIN	2	
V16	E04-05	VMA13118A0A00	半圆键	CRANKSHAFT WOODRUFF KEY	1	
V16	E04-06	VMA13100A1A00	曲柄连杆组合	CRANKSHAFT & CONNECTING ROD	1	
V16	E04-07	VMA13123A0A00	曲轴平键	PIN	1	
V16	E04-08	VMA14311A0A00	正时主动链轮 I	TIMING DRIVE SPROCKET	1	
V16	E04-09	VMA22621A0A00	初级主动齿轮	PRIMARY DRIVE GEAR	1	
V16	E04-10	VMA14315A1A00	正时主动链轮轴套	TIMING DRIVE SPROCKET HUB	1	
V16	E04-11	VMA22634A0A00	初级主动齿轮挡圈	STARTING SHAFT SNAP RING II	1	
V16	E04-12	VMA22632A0A00	初级主动齿轮止退垫圈	PRIMARY DRIVE GEAR THRUST WASHER	1	
V16	E04-13	VMA22631A0A00	初级主动齿轮紧固螺母	PRIMARY DRIVE GEAR LOCKNUT	1	

## E05 机油泵 OIL PUMP



Model	Position No.	Code	CN Description	EN Description	Qty/Unit	Notes
V16	E05-01	VIA15133A0A00	机油泵出油O形密封圈	SEAL 6X3	1	
V16	E05-02	VMA15100A0A00	机油泵总成	OIL PUMP ASSY	1	
V16	E05-03	BIA15131A0A00	机油泵密封垫	O-RING,OIL PUMP	1	
V16	E05-04	Q43110F92	挡圈10-Ct O BU	CIRCLET 10-CT O BU	1	
V16	E05-05	VMA15212A0A00	机油泵主动齿轮垫圈10	WASHER 10	2	
V16	E05-06	VMA15211A0A00	机油泵主动齿轮	OIL PUMP DRIVING GEAR	1	
V16	E05-07	VMA15555A0A00	过油管	PASS-BY PIPE	1	
V16	E05-08	VMA15450A0A00	机油滤网组合	OIL FILTER SCREEN	1	
V16	E05-09	VMA15461A0A00	机油滤网弹簧	OIL FILTER SCREEN SPRING	1	
V16	E05-10	VMA15462A1A00	机油滤网盖O型圈	OIL FILTER SCREEN COVER O-RING	1	
V16	E05-11	VMA15463A0M01	机油滤网盖	OIL FILTER SCREEN COVER	1	

## E06 左曲轴箱盖 & 磁电机 LEFT COVER & MAGNETO



Model	Position No.	Code	CN Description	EN Description	Qty/Unit	Notes
V16	E06-01	VMP31210A5A00	磁电机定子组合	MAGNETO STATOR COMP.	1	
V16	E06-02	VMP31102A1A00	磁电机转子装配组合	MAGNETO ROTOR COMP.	1	
V16	E06-03	VMA11412A0M01	观察孔螺塞	VIEW HOLE PLUG	1	
V16	E06-04	BIA11414A1A00	观察孔螺塞O型圈	WATCH HOLE PLUG O-RING	1	
V16	E06-05	VMA11410A0M01	左曲轴箱盖组合	CRANKCASE COVER, LH	1	
V16	E06-06	VMA11419-0001	左曲轴箱盖密封垫	CRANKCASE COVER GASKET,LH	1	
V16	E06-07	VMA12118A0A00	左曲轴箱盖定位销	CRANKCASE DOWEL PIN	2	
V16	E06-08	VMA11413A0M01	螺塞	PLUG	1	
V16	E06-09	VMA11415A2A00	螺塞O型圈	O-RING 22.7X3.1	1	
V16	E06-10	VMA28150A0A00	起动离合器齿轮组合	STARTING CLUTCH GEAR COMP.	1	
V16	E06-11	VMA31312A0A00	磁电机紧固螺母垫圈	THRUST WASHER	1	
V16	E06-12	GID31311A1N03	磁电机紧固螺母	MAGNETO LOCKNUT	1	
V16	E06-13	VMA31911A0A00	磁电机线夹	MAGNETO WIRE CLAMP	1	

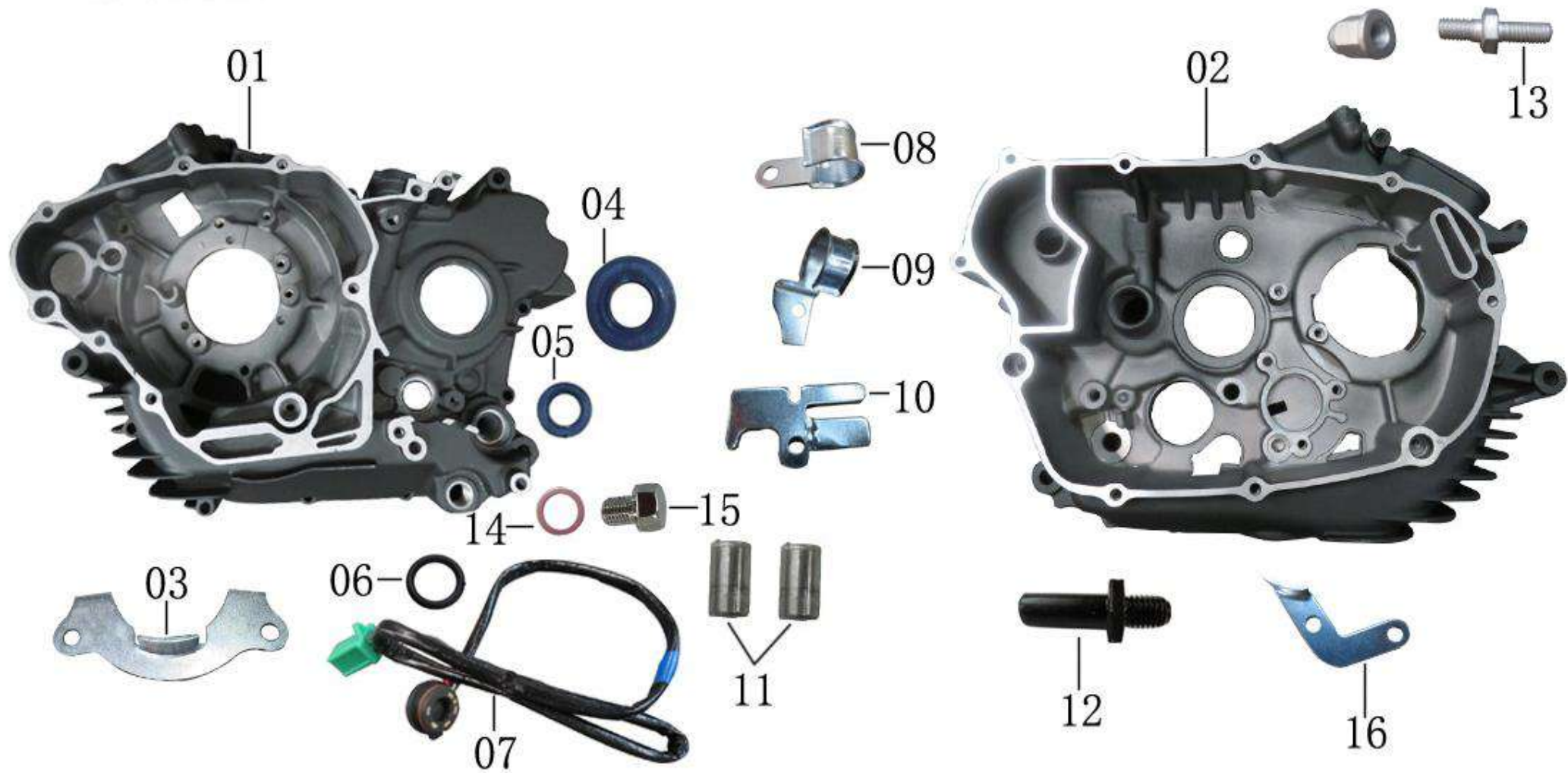
## E07 右曲轴箱盖 RIGHT CRANKCASE COVER



Model	Position No.	Code	CN Description	EN Description	Qty/Unit	Notes
V16	E07-01	VMP22813A0N05	离合器拉索支座	STAY,CLUTCH CABLE	1	
V16	E07-02	VMP11311A4M01	右曲轴箱盖	CRANKCASE COVER, RH	1	
V16	E07-03	GIA15620A0A00	机油观察窗	SIGHT GLASS	1	
V16	E07-04	VMA11319-0001	右曲轴箱盖密封垫	CRANKCASE COVER GASKET,RH	1	
V16	E07-05	VMA15480A0A00	机油滤芯	OIL FILTER	1	
V16	E07-06	GIA11422A2A00	过轮盖O型圈	O-RING 63X3	1	
V16	E07-07	VMP15492-0002	机油滤芯盖	OIL FILTER COVER	1	
V16	E07-08	VMA13190A0A00	曲轴左油封	CRANKSHAFT OIL SEAL,LH	1	
V16	E07-09	Q430B26F92	挡圈26-Ct O BU	CIRCLET	1	
V16	E07-10	VMA12118A0A00	曲轴箱盖定位销	CRANKCASE DOWEL PIN	2	
V16	E07-11	VMA15611A1M01	注油塞	DIPSTICK	1	
V16	E07-12	BIA15612A2A00	机油尺O型圈	O-RING 3X18X3.8	1	

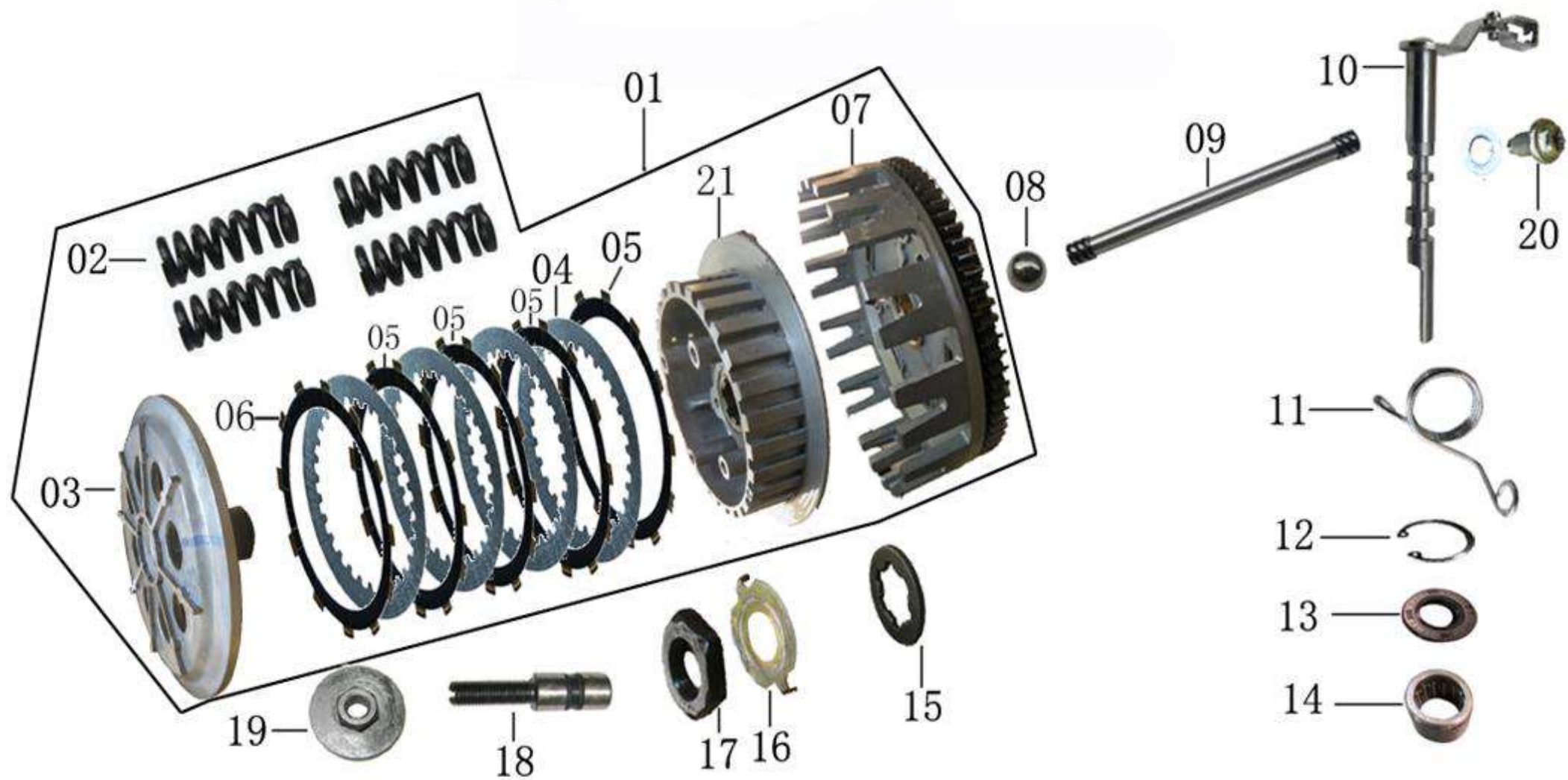


# E08 曲轴箱 CRANKCASE



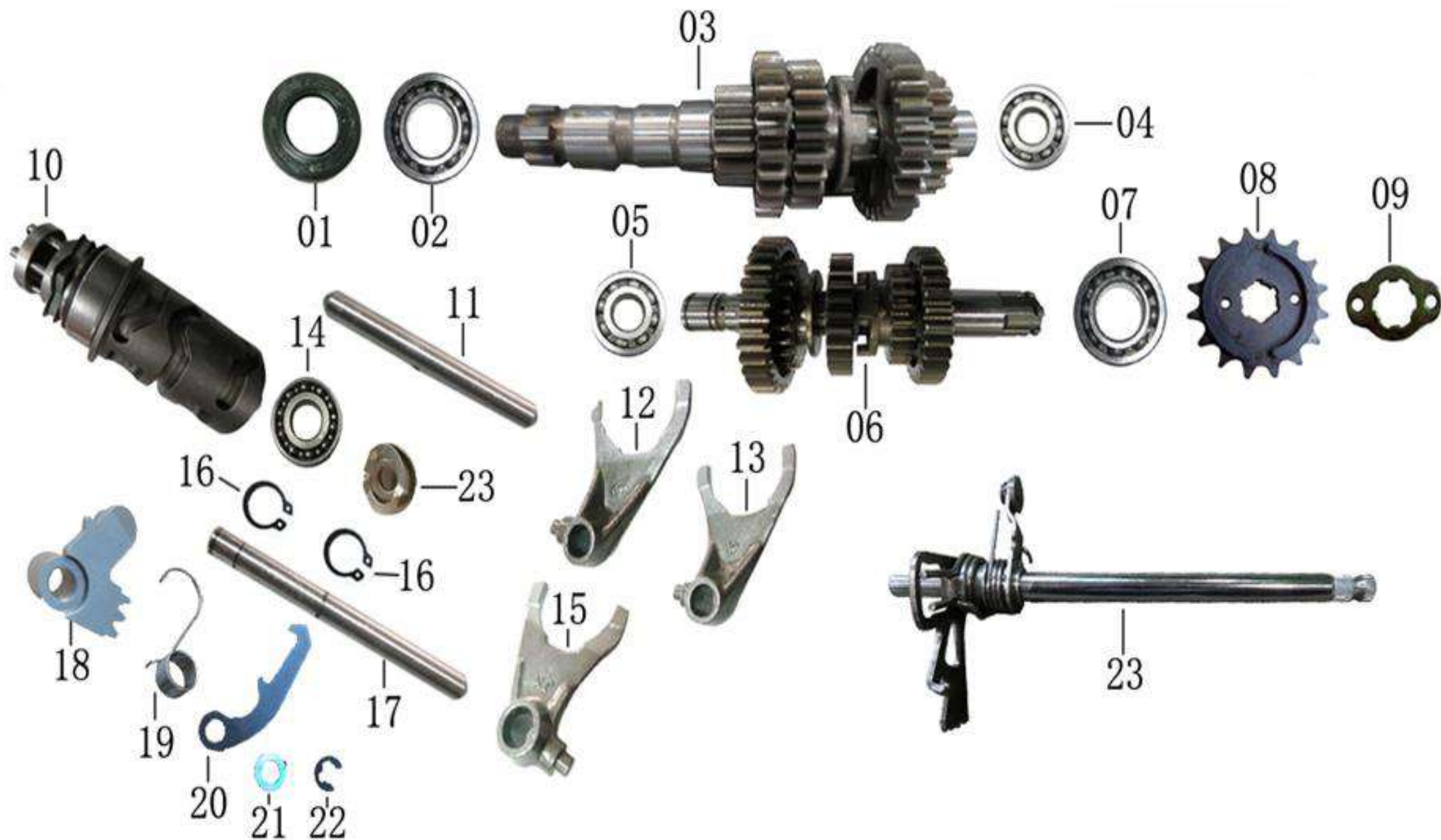
Model	Position No.	Code	CN Description	EN Description	Qty/Unit	Notes
V16	E08-01	VMA11210A5B08	左曲轴箱组合	CRANKCASE COMP., LH	1	
V16	E08-02	VMA11110A5B08	右曲轴箱组合	CRANKCASE COMP, RH	1	
V16	E08-03	VMA14361A1A00	正时链条限位板	TIMING CHAIN LIMITING PLATE	1	
V16	E08-04	VMA23790A0A00	副轴油封	COUNTERSHAFT OIL SEAL	1	
V16	E08-05	150025040000	油封 12 x 22 x5	OIL SEAL 12 x 22 x5	1	
V16	E08-06	VMP35723A0A00	档位指示器O型圈	O-RING,GEAR INDICATOR	1	
V16	E08-07	VMA35710A7A00	档位指示器	GEAR INDICATOR	1	
V16	E08-08	VMA34931A0N01	点火线圈线夹	IGNITION COIL WIRE CLAMP	1	
V16	E08-09	VMA31933A0N01	磁电机线夹Ⅲ	MAGNETO WIRE CLAMP Ⅲ	1	
V16	E08-10	VMA31932A0N01	磁电机线夹Ⅱ	MAGNETO WIRE CLAMP Ⅱ	1	
V16	E08-11	VMA12118A0A00	曲轴箱盖定位销	CRANKCASE DOWEL PIN	2	
V16	E08-12	VMA24131A0Z02	回位弹簧止动螺钉	RETURN SPRING SET SCREW	1	
V16	E08-13	VMA11125A0E18	右曲轴箱堵头	RIGHT CRANKCASE PLUG	1	
V16	E08-14	VMA11213A1A00	放油螺塞垫圈	DRAIN PLUG WASHER	1	
V16	E08-15	VMA11212A0E18	曲轴箱放油螺塞	DRAIN PLUG	1	
V16	E08-16	VMA14367A0N01	正时链条限位板Ⅱ	TIMING CHAIN LIMITING PLATE Ⅱ	1	

E09 离合器 CLUTCH



Model	Position No.	Code	CN Description	EN Description	Qty/Unit	Notes
V16	E09-01	VMA22100A2A00	离合器主体组合	CLUTCH MAIN BODY	1	
V16	E09-02	VMA22371A0A00	离合器弹簧	CLUTCH SPRING	4	
V16	E09-03	VMA22351A0A00	离合器压盘	CLUTCH PRESSURE PLATE	1	
V16	E09-04	VMA22341A0A00	离合器从动片	DRIVEN PLATES	4	
V16	E09-05	VMA22330A3A00	离合器主动片组合 I	DRIVE PLATES	4	
V16	E09-06	VMA22380A3A00	离合器主动片组合 II	DRIVE PLATES II	1	
V16	E09-07	VMA22110A0A00	离合器主动盘组合	DRIVE DISC SET	1	
V16	E09-08	Q9608731	钢球8.731	STEEL BALL 8.7	1	
V16	E09-09	VMA22860A0A00	离合器推杆组合	CLUTCH PUSHER COMP.	1	
V16	E09-10	VMA22810A0M01	离合器操纵杆组合	CLUTCH LEVER COMP.	1	
V16	E09-11	VMA22821A0A00	离合器操纵杆弹簧	CLUTCH LEVER SPRING	1	
V16	E09-12	Q430B28F92	挡圈28-Ct 0 BU	CIRCLIP	1	
V16	E09-13	VMA22840A0A00	离合器操纵杆油封	CLUTCH LEVER OIL SEAL	1	
V16	E09-14	Q9611412Z	滚动轴承HK1412-Z	NEEDLE BEARING	1	
V16	E09-15	VMA22372A0A00	离合器花键垫圈	CLUTCH SPLINE WASHER	1	
V16	E09-16	VMA22152A0A00	离合器紧固垫圈	WASHER	1	
V16	E09-17	VMA22631A0A00	初级主动齿轮紧固螺母	PRIMARY DRIVE GEAR LOCKNUT	1	
V16	E09-18	VMA22851A0A00	离合器调节螺杆	CLUTCH ADJUSTING SCREW	1	
V16	E09-19	VMA22871A0A00	离合器顶杆	CLUTCH MANDREL	1	
V16	E09-20	VMA22825A0A00	离合器操纵杆定位销	CLUTCH LEVER DETENT PIN	1	
V16	E09-21	VMA22320A0A00	离合器从动盘	CLUTCH DRIVEN DISC	1	

E10 变速机构 TRANSMISSION



Model	Position No.	Code	CN Description	EN Description	Qty/Unit	Notes
V16	E10-01	VMA23690A0A00	主轴油封	OIL SEAL 17X28X3.5	1	
V16	E10-02	Q9656205F	滚动轴承6205P5/FJK	BEARING 6205P5/FJK	1	
V16	E10-03	VMA23600A0A00	主轴组合	MAINSHAFT ASSY	1	
V16	E10-04	Q9656003F	滚动轴承6003/FJK	BEARING 6003/FJK	1	
V16	E10-05	Q9656004F	滚动轴承6004/FJK	BEARING 6004/FJK	1	
V16	E10-06	VMP23700A0A00	副轴组合	COUNTERSHAFT ASSY	1	
V16	E10-07	Q9656305F	滚动轴承6305/FJK	BEARING 6305/FJK	1	
V16	E10-08	VMA22711A0B01	输出链轮	OUTPUT SPROCKET	1	
V16	E10-09	VMA22712A0N01	输出链轮固定板	OUTPUT SPROCKET LOCATING PLATE	1	
V16	E10-10	VMA24200A1A00	变档凸轮装配组合	GEARSHIFT DRUM ASSY	1	
V16	E10-11	VMA24421A0A00	变档拨叉轴	FORK SHAFT	1	
V16	E10-12	VMA24413A0A00	拨叉Ⅲ	FORK Ⅲ	1	
V16	E10-13	VMA24411A0A00	拨叉Ⅰ	FORK	1	
V16	E10-14	Q965D16001	滚动轴承16001-RS	BEARING 16001-RS	1	
V16	E10-15	VMA24412A0A00	拨叉Ⅱ	FORK Ⅱ	1	
V16	E10-16	Q43110F92	挡圈10-Ct O BU	CIRCLET 10-CT O BU	2	
V16	E10-17	VMA24422A0A00	变档拨叉轴Ⅱ	FORK SHAFT Ⅱ	1	
V16	E10-18	VMA24510A0A00	变档从动臂	GEARSHIFT DRIVEN ARM	1	INCLUDING SCREW
V16	E10-19	VMA24122A0A00	变档拨板弹簧	SHIFTER SPRING	1	
V16	E10-20	VMA24115A0A00	副变档拨板	SUBSIDIARY SHIFTER	1	
V16	E10-21	VMA24127A0N01	副变档拨板垫圈	WASHER,SUBSIDIARY SHIFTER	1	
V16	E10-22	VMA24514A0A00	变档从动臂挡圈	GEARSHIFT CAM SNAP RING	1	
V16	E10-23	VMA24100A1M01	变档轴总成	GEARSHIFT SHAFT ASSY	1	

## E11 启动电机 STARTING MOTOR



Model	Position No.	Code	CN Description	EN Description	Qty/Unit	Notes
V16	E11-01	VMA34700A5B01	启动电机总成	MOTOR ASSY STARTING	1	
V16	E11-02	VMA28321A0A00	双联齿轮轴	TWIN-GEAR SHAFT	1	
V16	E11-03	VMA28311A0A00	双联齿轮	DUAL-GEAR	1	

## E16 电器 ELECTRIC ELEMENT



Model	Position No.	Code	CN Description	EN Description	Qty/Unit	Notes
V16	E16-01	VMA31600A2A00	电压调节器	VOLTAGE REGULATOR	1	
V16	E16-02	GJM34500A0A00	点火线圈	IGNITION COIL	2	
V16	E16-03	GIA34600A1A00	起动继电器	STARTING RELAY	1	