

PARTS CATALOGUE 零件目录图册

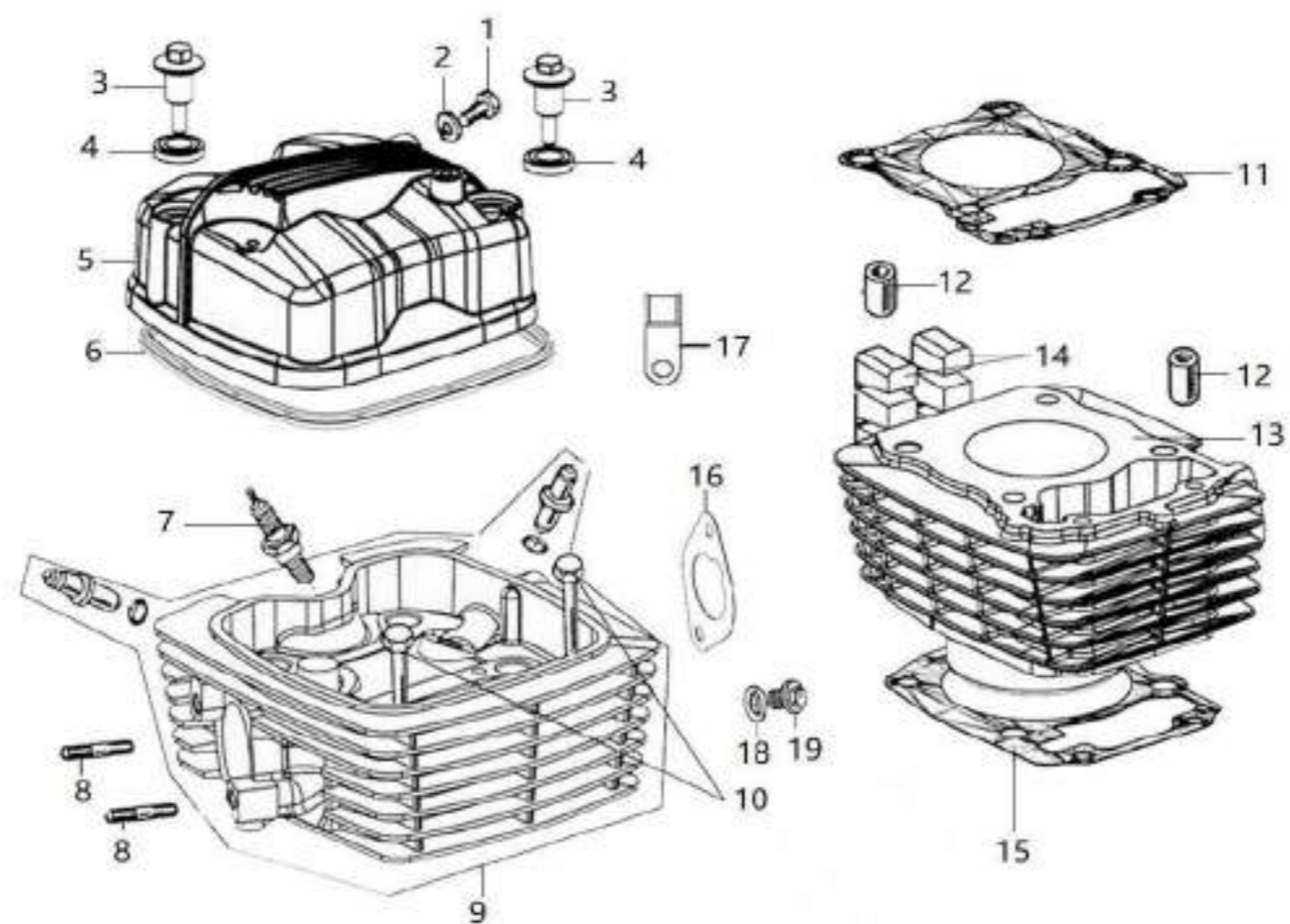
FLASH 150



CONTENTS 目录

01	CYLINDER HEAD ASSY/CYLINDER ASSEMBLY 气缸头部件/气缸体部件
02	VALVE MECHANISM 配气机构
03	CRANKCASE COVER 曲轴箱盖
04	CLUTCH ASSY 离合器总成
05	OIL PUMP/OIL FILTER 机油泵部件/机油滤清器部件
06	CRANKCASE 曲轴箱
07	CRANKSHAFT CONNECTING-ROD ASSY/PISTON 曲轴连杆部件/活塞
08	TRANSMISSION MECHANISM 传动机构
09	GEARSHIFT MECHANISM 变速机构
10	MAGNETO COMP 磁电机总成
11	ELECTRIC STARTING MECHANISM 电启动机构
12	ENGINE ASSY 发动机总成
13	FRAME ASSY 车架
14	REAR SUSPENSION 后悬挂
15	FRONT FORK SUSPENSION 前叉总成
16	HANDLE BAR & DISC BRAKESYSTEM 手把组合
17	WIRE HARNESS & ELECTRIC DEVICE 主电缆及电器件
18	FUEL TANK 油箱总成
19	REAR FENDER ASSY/TAIL FRAME ASSEMBLY 后挡泥总成/尾框总成
20	WINDSHIELD ASSEMBLY 挡风总成
21	ELECTRONIC CONTROL SYSTEM COMPONENTS OF ELECTRONIC INJECTION ENGINE 电喷系统部件

01 CYLINDER HEAD ASSY/CYLINDER ASSEMBLY 气缸头部件/气缸体部件



气缸头部件/气缸体部件
CYLINDER HEAD ASSY/ CYLINDER ASSEMBLY

NO.	Part Code	Chinese Description	English Description	Qty	Remark
1	100011261-0002	螺栓M6×12(黑锌)	Bolt, M6×12	1	
2	100106538	平垫圈(φ6.2×1.5×φ13_铝_RoHS)	Washer, φ6.2×1.5×φ13	1	
3	100100407-0006	缸头盖固定螺栓(黑锌)	Screw	2	
4	100208911	缸头盖胶垫(22×12)	Gasket	2	
5	100205616-0012	缸头上盖	Upper Cover Cylinder Head	1	
6	100208447	气缸头上盖密封圈	Seal Ring, Of Upper Cover Cylinder Head	1	
7	299074470010	火花塞部件(NGK_CPR8EA)	Spark Plug	1	
8	100100449-0002	缸头排气口双头螺栓M8×44(兰白锌)	Bolt, M8×44	2	
9	100152497-0002	电喷气缸头组合(3#_M8_56_进气侧上四片铣缺角)	Cylinder Head Assy	1	
10	100011285-0005	螺栓M6×105(黑锌)	Bolt, M6×105	2	
11	100208866	气缸头密封垫组合(金属)	Gasket Assy Cylinder Head	1	
12	100010556	定位销φ10×12(RoHS)	Pin, φ10×12	2	
13	100207541-0021	气缸体部件(缸标149_离心缸套_带减震胶条)	Cylinder Block Assembly	1	
14	100102822	气缸体减震胶条	Shock Absorption Colloid	2	
15	100208589	气缸体密封垫	Gasket Cylinder Block	1	

NO.	Part Code	Chinese Description	English Description	Qty	Remark
16	100721217	电喷进气管密封垫(2#)	Gasket Inlet Pipe	2	
17	100204385-0003	高压线固定夹(黑锌)	Clip High Voltage Wire	1	
18	100106575	平垫圈($\phi 8.5 \times 1.2 \times \phi 15$)	Washer, $\phi 8.5 \times 1.2 \times \phi 15$	1	
19	100100432-0005	水泵盖放水螺栓M8×10(黑锌)	Bolt, M8×10	1	

02 VALVE MECHANISM 配气机构



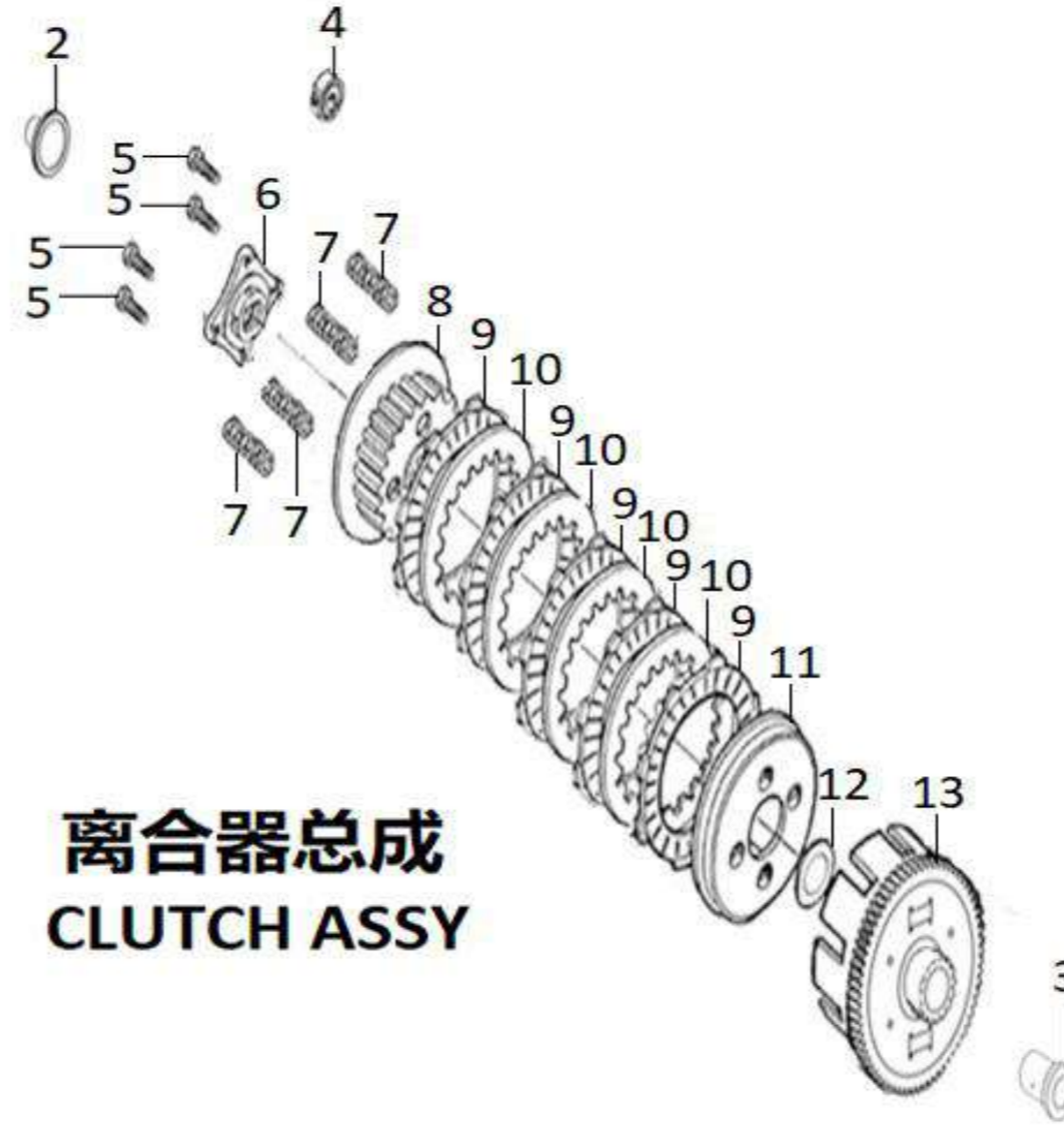
配气机构
VALVE MECHANISM

NO.	Part Code	Chinese Description	English Description	Qty	Remark
1	100011266-0006	螺栓M6×20(白铬)	Bolt, M6×20	2	
2	100105158	脚气门间隙调节螺母	Nut Valve Clearance	2	
3	100105168	脚气门间隙调节螺钉	Screw,Valve Clearance	2	
4	100066671	摇臂组合(不带螺栓及螺母_滚轮式)	Rocker Arm Parts	2	Bolt, Nut, Screw are not included, Please Order 02-01 - 02-03
5	100200371	气门摇臂轴	Rocker Shaft	2	
6	100303225	上摇臂支座	Support Of Upper Rocker Arm	1	
7	100100911	圆柱销φ6×10	Pin,φ6×10	2	
9	100105320	气门锁夹	Valve Locker	4	
10	100200691	气门弹簧座(上)	SpRing,Seat	2	
11	100200726	气门内外弹簧组合	Inner SpRing,Assy	2	
12	100062531	挡油罩组合	Seal Valve Stem	2	
13	100200702	气门弹簧座圈(下)	Outer Valve SpRing,Retainer	2	
14	100200637	排气门	Exhaust Valve	1	
15	100200588	进气门	Intake Valve	1	
16	100200182	凸轮轴部件	Gamp Shaft Comp	1	

NO.	Part Code	Chinese Description	English Description	Qty	Remark
17	100011264-0003	螺栓M6×16(兰白锌)	Bolt, M6×16	2	
18	100053423	凸轮轴挡板	Stop Plate Camshaft	1	
19	100200498	链条导向板组合	Guide Plate Chain	1	
20	100072152	水冷正时从动链轮	Timing Driven Sprocket	1	
21	100011171-0002	螺栓M6×12(兰白锌)	Bolt, M6×12	2	
22	100105099	正时链条组合(5×94_齿形链)	Sproket Chain	1	
23	100200474	链条张紧板组合	Tension Plate Assy	1	
24	100208744	张紧器密封垫(金属)	Gasket Tensioner	1	
25	100200522-0029	张紧器组合(带螺栓_带密封圈)	Chain Tensioning Wheel	1	
26	100055588-0004	小盘螺栓M6×20(黑锌)	Bolt, M6×20	2	
27	100202745	链条护板组合	Assembly Chain Protect Plate	1	
28	100011279-0005	螺栓M6×70(黑锌)	Bolt, M6×70	1	
29	100100868	定位销φ8×14×φ6.3	Dowel Pin,φ8×14×φ6.3	1	
30	100107799	O型圈(φ6.5×1.8)	O-Ring,φ6.5×1.8	1	

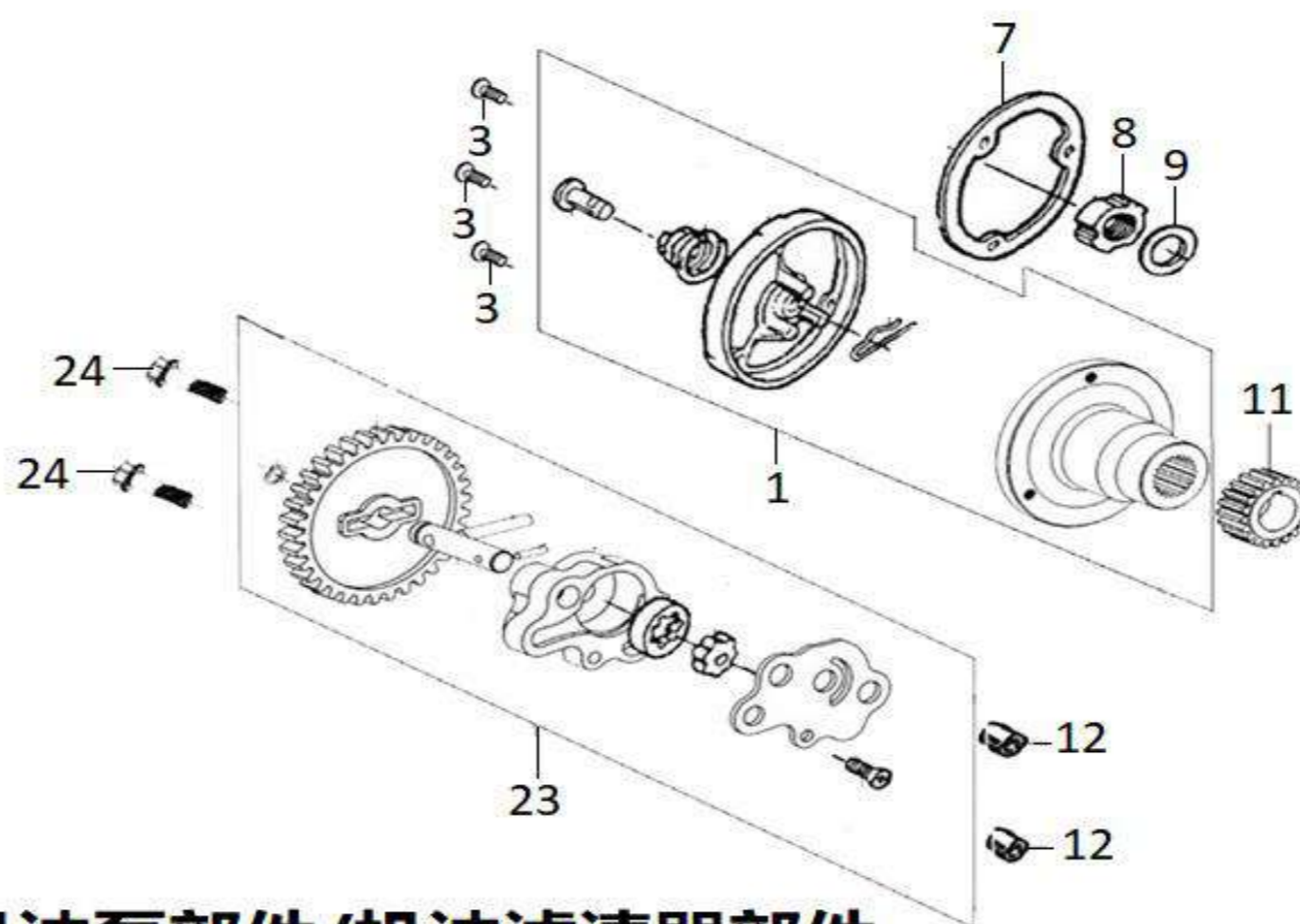
NO.	Part Code	Chinese Description	English Description	Qty	Remark
17	100204853-0020	左盖	Front Part,L.Crankcase Cover	1	
18	100206185-0005	大视孔盖	Cap Big View Hole	1	
19	100107733	O型圈(φ27.4×2.65)	O-Ring,φ27.4×2.65	1	
20	100206182-0005	小视孔盖	Cap Small View Hole	1	
21	100138362	O型圈(φ13.2×2.65)	O-Ring,φ13.2×2.65	1	
22	100011539-0006	小盘螺栓M6×45(黑锌)	Bolt, M6×45	2	
23	100011536-0006	小盘螺栓M6×30(黑锌)	Bolt, M6×30	2	
24	100011537-0006	小盘螺栓M6×35(黑锌)	Bolt, M6×35	7	
25	100011537-0006	小盘螺栓M6×35(黑锌)	Bolt, M6×35	1	
26	100104735	脚启动轴油封(16×28×7)	Oil Seal 16×28×7	1	

04 CLUTCH ASSY 离合器总成



NO.	Part Code	Chinese Description	English Description	Qty	Remark
2	100203082	离合器推杆	Pushing Rod Clutch	1	
3	100103354	离合器轴套	Sleeve Clutch	1	
4	100010669	轴承(6003)	Bearing, 6003	1	
5	100011533-0005	小盘螺栓M6×22(兰白锌)	Bolt, M6×22	4	
6	100202938	离合器端盖	End Cover Clutch	1	
7	100103394	离合器弹簧	SpRing,Clutch	4	
8	100202920	离合器中心套	Center Sleeve Clutch	1	
9	100203033	脚离合器主动摩擦片(富士摩擦片)	Drive Friction Disk	5	
10	100203061	离合器从动摩擦片	Outer Friction Disk A	4	
11	100202952	离合器压盘	Pressure Plate Clutch	1	
12	100103342	离合器花键垫圈	Washer	1	
13	100202996	离合器外罩组合(电脚)	Out Case Assembly Clutch	1	

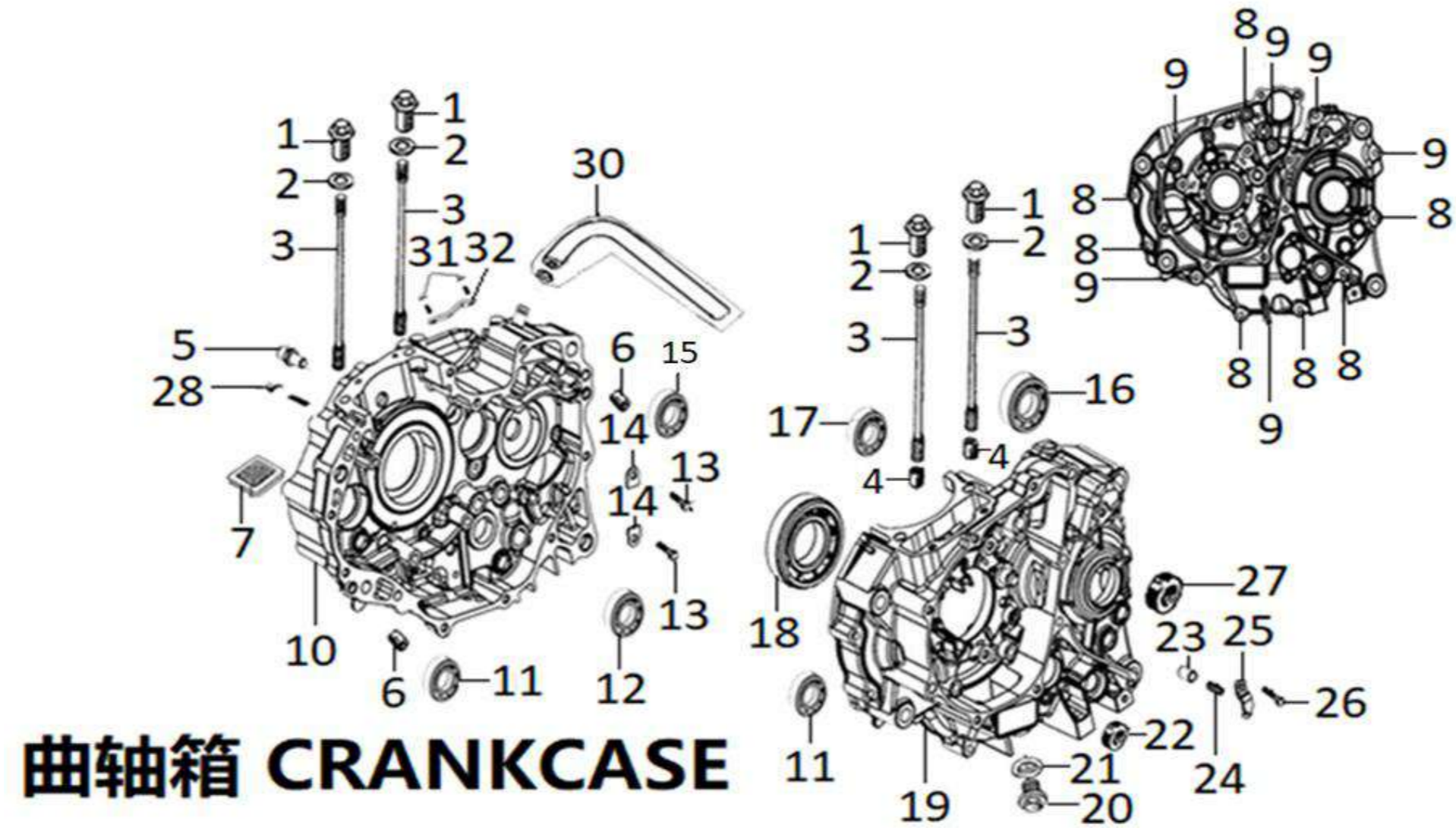
05 OIL PUMP/OIL FILTER 机油泵部件/机油滤清器部件



机油泵部件/机油滤清器部件
OIL PUMP/OIL FILTER

NO.	Part Code	Chinese Description	English Description	Qty	Remark
1	100053714	机油滤清器部件	Oil Filter Comp	1	
3	100010978-0001	螺钉M5×12(兰白锌)	Screw, M5×12	3	
7	100104599	脚机油滤清器端盖密封垫	Gasket Oil Filter	1	
8	100100514	主离合器锁紧螺母M14×1	Lock Nut Clutch	1	
9	100103344	主离合器碟形垫圈	Dish Washer, Clutch	1	
11	100103496	主动齿	Primary Drive Gear	1	
12	100100868	定位销φ8×14×φ6.3	Dowel Pin, φ8×14×φ6.3	2	
23	100100056	机油泵部件	Oil Pump Assy	1	
24	100011537-0006	小盘螺栓M6×35(黑锌)	Bolt, M6×35	2	

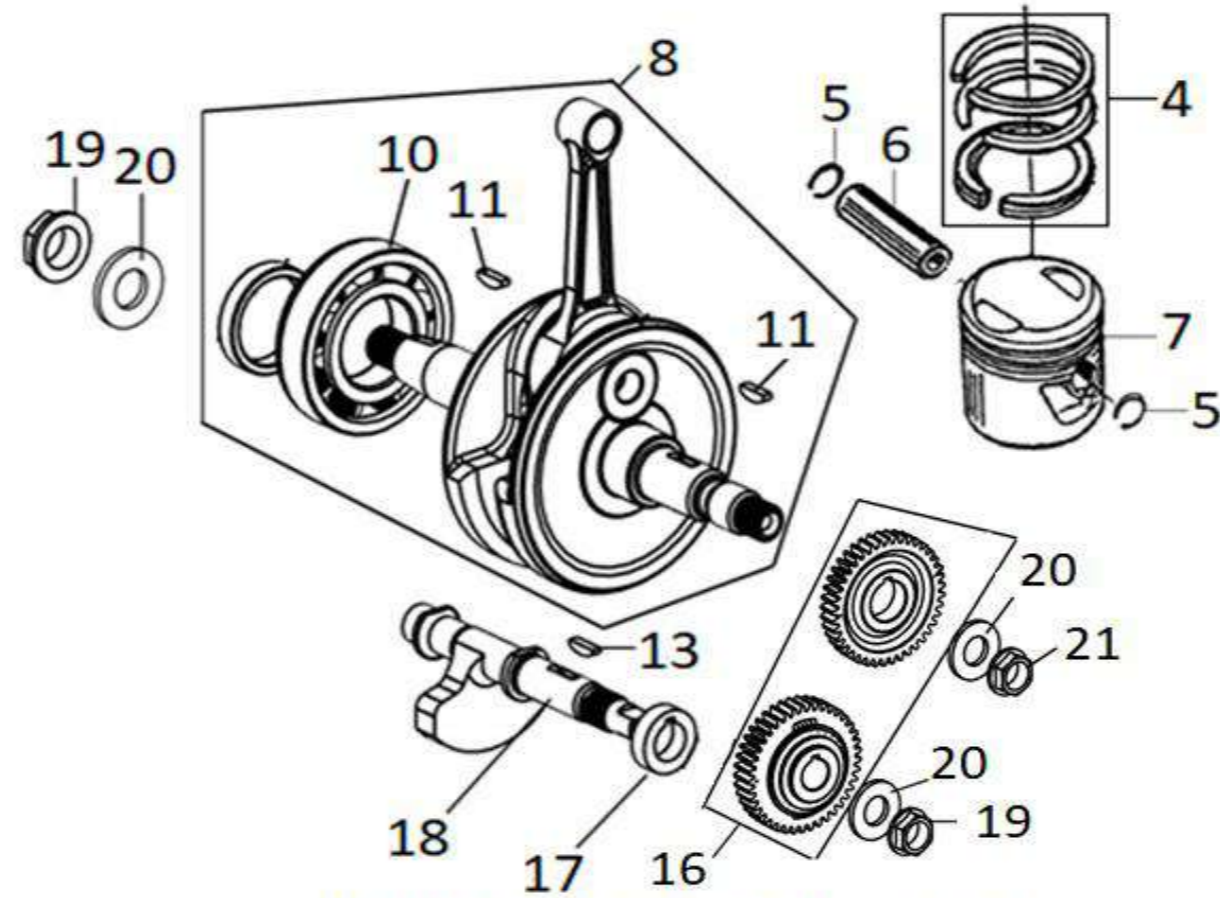
06 CRANKCASE曲轴箱



NO.	Part Code	Chinese Description	English Description	Qty	Remark
1	100100537-0002	气缸头AB栓长螺母M8×63(兰白锌)	Nut	4	
2	100106609	平垫圈(φ12.5×2×φ22_白锌)	Washer, φ12.5×2×φ22	4	
3	100100253	气缸双头螺栓AB(144mm)	Cylinder Stud Bolt A	4	
4	100010556	定位销φ10×12(RoHS)	Pin, φ10×12	2	Used for Cylinder Block and Crankcase
5	100100396	变档臂定位螺栓M8×30	Bolt Return Springn Fixing, M8×30	1	
6	100100868	定位销φ8×14×φ6.3	Dowel Pin, φ8×14×φ6.3	2	
7	100104941	机油过滤网组合	Strainer Oil Filter	1	
8	100011273-0002	螺栓M6×40(黑锌)_8.8级	Bolt, M6×40	7	
9	100011279-0005	螺栓M6×70(黑锌)_8.8级	Bolt, M6×70	6	
10	100052343-0020	右曲轴箱组合(热装_7884)	Right Crankcase Block	1	
11	100100984	轴承(6202_东培)	BeaRing, (6202)	2	
12	100101149	轴承(6203_P63_游隙11-25)	BeaRing, (6203_P63)	1	
13	100011264-0003	螺栓M6×16(兰白锌)	Bolt, M6×16	2	
14	100053140	泰125轴承压板	Pressure Plate Bearing	2	
15	100101050	轴承(6303X3_RS)	BeaRing, (6303X3_Rs)	1	

NO.	Part Code	Chinese Description	English Description	Qty	Remark
16	100101245	轴承(TM6204)	BeaRing,(Tm6204)	1	
17	100101235	轴承(6201_RS)	BeaRing,(6201_Rs)	1	
18	100101111	轴承(63/28_X2H)	BeaRing,(63/28_X2H)	1	
19	100052342-0059	左曲轴箱组合	Left Crankcase Block	1	
20	100100331-0006	放油螺塞(兰白锌)	Oil Drain Plug	1	
21	100106548	平垫圈($\phi 12.1 \times 2 \times \phi 20$)	Washer, $\phi 12.1 \times 2 \times \phi 20$	1	
22	100300424	档显油封(14x22x5)	Oil Seal 14x22x5	1	
23	100102998	压销体顶销	Pressing Pin,Body Upper Pin	1	
24	100103003	压销体弹簧	Pressing Pin,Body Spring	1	
25	100053422	压销体挡板	Pressing Pin,Body Stop Plate	1	
26	100055589-0006	小盘螺栓M6x16(兰白锌)	Bolt, M6x16	1	
27	100104702	脚副轴油封(20x34x7)	Oil Seal 20x34x7	1	
28	100011539-0006	小盘螺栓M6x45(黑锌)	Bolt, M6x45	1	
30	100102977	通气管组件(1#_卡箍1个_复合层材料)	Pipe Assy	1	
31	100011264-0003	螺栓M6x16(兰白锌)	Bolt, M6x16	2	
32	100303334	启动轴限位板	Stopper Kick Starter	1	

07 CRANKSHAFT CONNECTING-ROD ASSY/PISTON 曲轴连杆部件/活塞

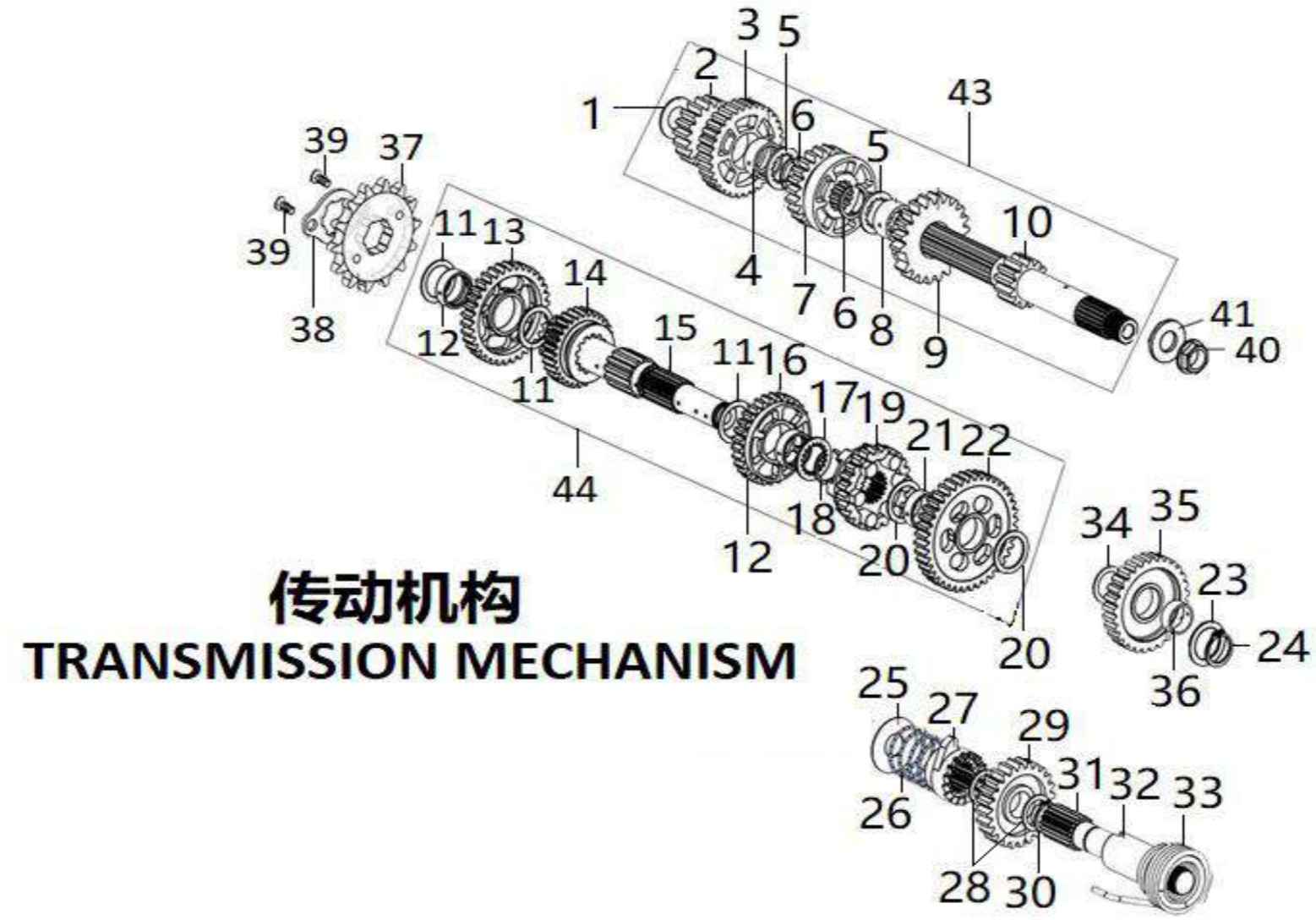


曲轴连杆部件/活塞 CRANKSHAFT CONNECTING-ROD ASSY/ PISTON

NO.	Part Code	Chinese Description	English Description	Qty	Remark
4	100304485	活塞环总成(2#_一环油环)	Piston Ring,Comp	1	
5	100100584	活塞销挡圈	Check Ring Piston Pin	2	
6	100101527	活塞销	Pin,Piston	1	
7	100057933	活塞(2#)	Piston	1	
8	100206916-0001	曲轴连杆部件	Crankshaft Connecting-Rod Assy	1	
10	100101138	轴承(TMT6207YA9_P5CS20)	BeaRing,(Tmt6207Ya9_P5Cs20)	1	
11	100100643	半圆键(25×14×4)	Semicircular Key	2	
13	100100640	半圆键(2#_25×14×4)	Semicircular Key	1	
16	100085749	平衡主从动齿轮组件(2#)	Drive Gear Set Balance Shaft	1	

NO.	Part Code	Chinese Description	English Description	Qty	Remark
17	100103569	平衡轴轴套	Balance Shaft Bush	1	
18	100207225	平衡轴	Balance Shaft	1	
19	100100545-0001	磁电机螺母M14×1.25×11(兰白锌)	Nut M14×1.25×11	2	
20	100106364	平垫圈(φ14.5×2.8×φ29)	Washer,φ14.5×2.8×φ29	3	
21	100053886	离合器锁紧螺母M14×1×9(2#)	Lock Nut Clutch	1	

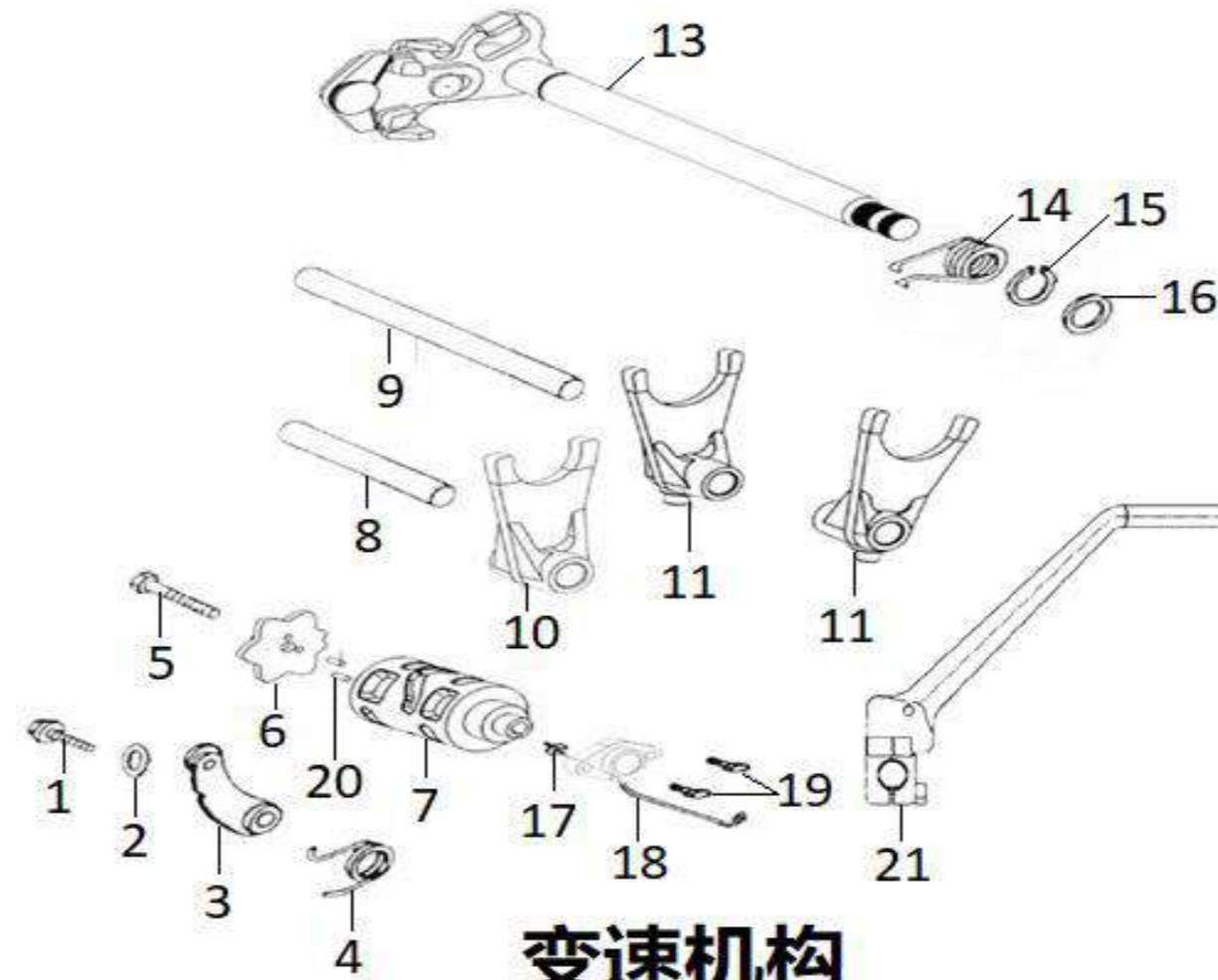
08 TRANSMISSION MECHANISM 传动机构



NO.	Part Code	Chinese Description	English Description	Qty	Remark
1	100106503	平垫圈($\phi 12.2 \times 1 \times \phi 22.5$)	Washer, $\phi 12.2 \times 1 \times \phi 22.5$	1	
2	100135435	水冷主轴2档齿轮	Gear M-2	1	
3	100135438	水冷主轴5档齿轮	Gear M-5	1	
4	100103655	主轴5档齿轮衬套	Bush	1	
5	100103648	主副轴齿轮隔圈($17 \times 1.6 \times 23$)	Washer	2	
6	100100595	70启动轴挡圈($\phi 15.5 \times 1.2 \times \phi 19$)	Circli, $\phi 15.5 \times 1.2 \times \phi 19$	2	
7	100135436	水冷主轴3档齿轮	Gear M-3	1	
8	100135448	水冷主轴4档齿衬套	Gear Bush	1	
9	100135437	水冷主轴4档齿轮	Gear M-4	1	
10	100135439	水冷主轴芯轴	Transmission Main Shaft	1	
11	100106524	平垫圈($\phi 20.1 \times 1 \times \phi 27$)	Washer, $\phi 20.1 \times 1 \times \phi 27$	3	
12	100103567	副轴2档齿轮衬套	Gear Bush	2	
13	100135442	水冷副轴2档齿轮	Gear C-2	1	
14	100135446	水冷副轴5档齿轮	Gear C-5	1	
15	100135440	水冷副轴芯轴(1#_副轴163)	Transmission Counter Shaft	1	

NO.	Part Code	Chinese Description	English Description	Qty	Remark
16	100135444	水冷副轴3档齿轮	Gear C-3	1	
17	100103649	主副轴齿轮隔圈(20×1.6×27)	Washer	1	
18	100100629	C100副轴齿轮挡圈(φ18.5×1.2×φ22)	Check Ring,φ18.5×1.2×φ22	1	
19	100135445	水冷副轴4档齿轮	Gear C-4	1	
20	100106520	平垫圈(φ17.2×1.2×φ26)	Washer,φ17.2×1.2×φ26	2	
21	100103566	副轴1档齿轮衬套	Gear Bush	1	
22	100135443	水冷副轴1档齿轮	Gear C-1	1	
23	100106453	平垫圈(φ17.3×1.2×φ24)	Washer,φ17.3×1.2×φ24	1	
24	100011099	GB894.1挡圈17(轴径17_内径15.7)	Retaining Ring, 17	1	
25	100106408	平垫圈(φ14.2×1×φ34)	Washer,φ14.2×1×φ34	1	
26	100105786	70启动棘轮弹簧	SpRing,Kick Starting Ratchet Wheel	1	
27	100303346	启动棘轮	Starting Ratchet	1	
28	100106433	平垫圈(φ16.3×1×φ22)	Washer,φ16.3×1×φ22	2	
29	100105776	启动齿轮	Gear Kick Starter	1	
30	100011098	GB894.1挡圈16(轴径16_内径14.7)	Retaining Ring, 16	1	
31	100201916	启动轴芯轴	Pivot Kick Starting Shaft	1	
32	100105731	启动轴轴套	Sleeve	1	
33	100105747	启动轴复位弹簧	Return SpRing,Kick Starting Shaft	1	
34	100106453	平垫圈(φ17.3×1.2×φ24)	Washer,φ17.3×1.2×φ24	1	
35	100103781	启动过桥齿轮	Gear	1	
36	100201921	启动轴轴环	Collapsible	1	
37	100103809	脚主动链轮(428.14)	Drive Sprocket	1	
38	100103850	脚主动链轮固定板	Fixing Plate Drive Sprocket	1	
39	100010835-0001	GB70.1螺栓M6×10(兰白锌)	Bolt, M6×10	2	
40	100106364	平垫圈(φ14.5×2.8×φ29)	Washer,φ14.5×2.8×φ29	1	
41	100053886	离合器锁紧螺母M14×1×9(2#)	Lock Nut Clutch	1	
43	100135434	水冷主轴组合	Main Shaft Transmission	1	
44	100135441	水冷副轴组合(1#_副轴163)	Coutershaft Transmission	1	

09 GEARSHIFT MECHANISM 变速机构

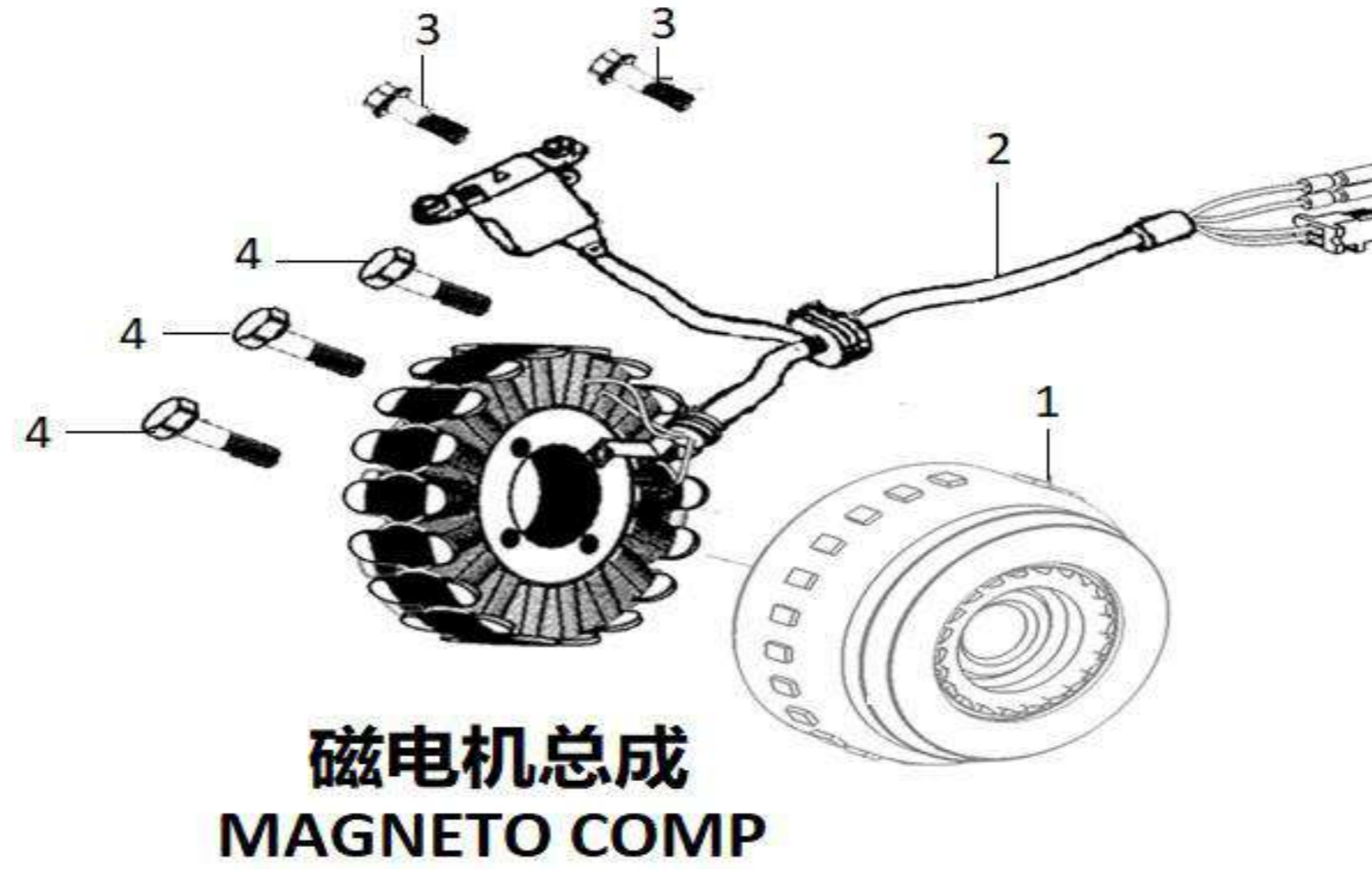


变速机构
GEARSHIFT MECHANISM

NO.	Part Code	Chinese Description	English Description	Qty	Remark
1	100100389	泰125档位定位板螺栓	Bolt Fixing Plate	1	
2	100106373	平垫圈(φ6.2×1×φ14)	Washer, φ6.2×1×φ14	1	
3	100203962	定位板组合	Locating Plate Assy	1	
4	100103986	定位板弹簧(2#)	SpRing, Locating Plate	1	
5	100011174-0004	螺栓M6×20(兰白锌)	Bolt, M6×20	1	
6	100053426	五星板	Stopping Plate	1	
7	100203796	变速鼓部件(五档国际档)	Gearshift Drum Comp	1	
8	100203759	主轴拨叉轴	Shaft Gearshift Fork	1	
9	100203761	副轴拨叉轴	Guide Pin, Selector Fork Center	1	
10	100203750	主轴拨叉	Center Fork Mainshaft	1	
11	100203722	副轴拨叉	Right Fork Countershaft	2	
13	100203916	换档轴组合	Gearshift Shaft Comp	1	
14	100103972	换档回位弹簧	Return Spring	1	
15	100011096	挡圈14(轴径14_内径12.9)	Retaining Ring, 14	1	
16	100300796	平垫圈(φ14×1×φ21)	Washer, φ14×1×φ21	1	

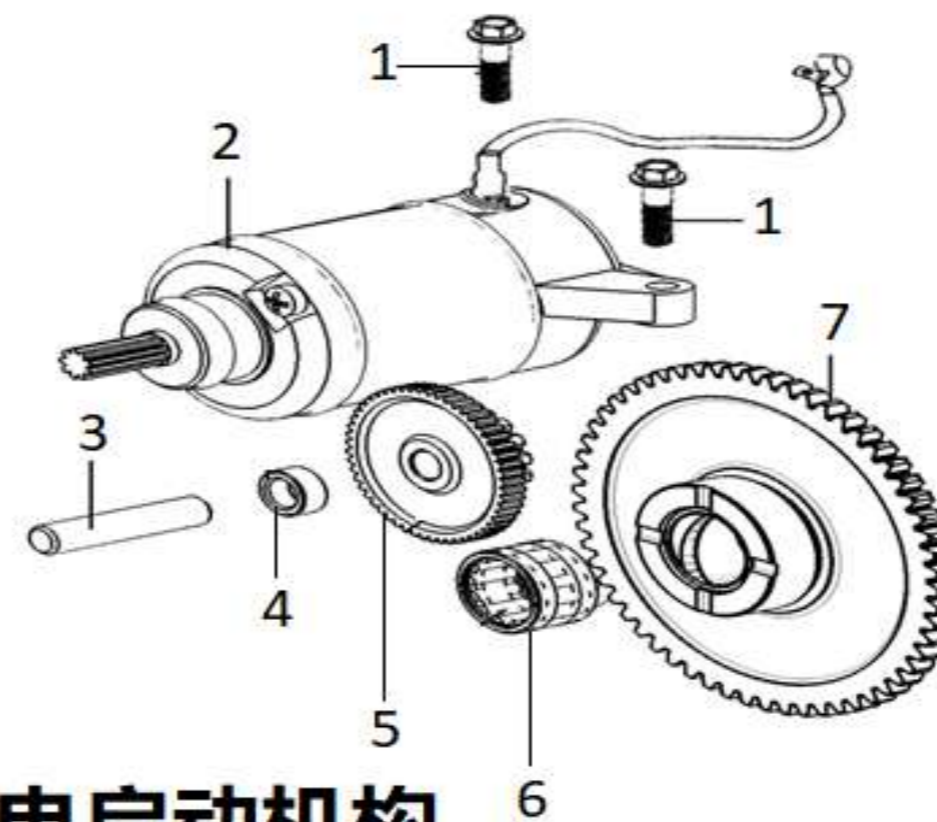
NO.	Part Code	Chinese Description	English Description	Qty	Remark
17	100120663	档显动触头(3#不锈钢)	Contact Cearindication	1	
18	100104500-0014	档显线束(五档国际_接口5G-D01_L:300)	Gearshift Switch Lamp	1	
19	100011268-0002	螺栓M6×25(黑锌)	Bolt, M6×25	2	
20	100100887	圆柱销φ3×8.5	Pin φ3×8.5	2	
21	100055659-0003	启动杆部件(磨砂黑)	Start-Up Bar Comp	1	

10 MAGNETO COMP 磁电机总成



NO.	Part Code	Chinese Description	English Description	Qty	Remark
1	100104214	电喷磁电机转子组合(12V18极_凸包个数23)	Rotor Assy Magneto	1	
2	100104186-0029	磁电机定子组合(2#_12V18极_三相全波直流_接口SQBZ-B89_L:230)	Stator Assy Magneto	1	
3	100055589-0006	小盘螺栓M6×16(兰白锌)	Bolt, M6×16	2	
4	100031909-0002	螺栓M5×30(兰白锌)	Bolt, M5×30	3	

11 ELECTRIC STARTING MECHANISM 电启动机构

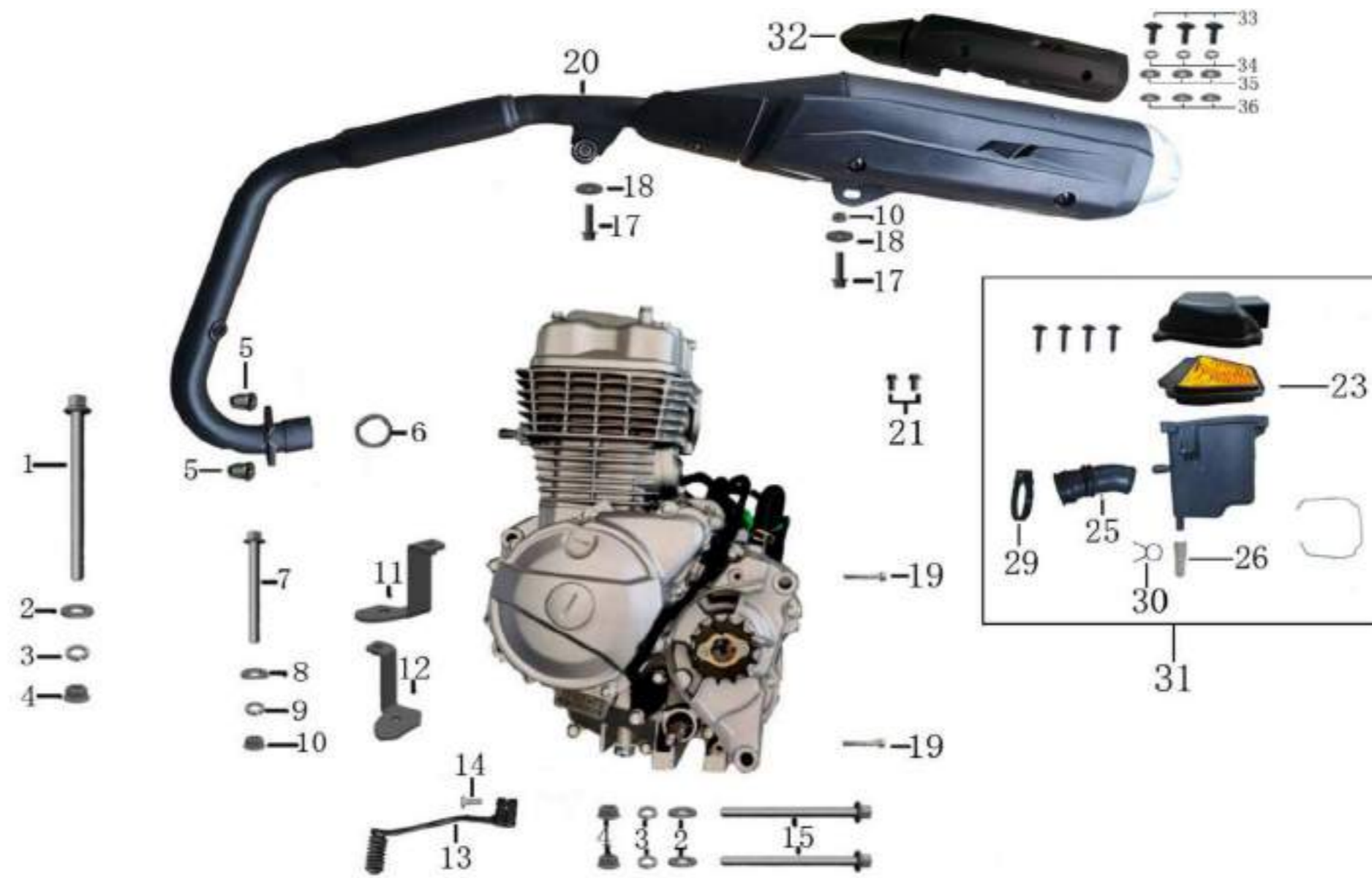


电启动机构

ELECTRIC STARTING MECHANISM

NO.	Part Code	Chinese Description	English Description	Qty	Remark
1	100011268-0002	螺栓M6×25(黑锌)	Bolt, M6×25	2	
2	100067260-0007	启动电机(单线_圆形_400_7884_接线柱逆时针旋转90度_自带螺栓黑锌)	Starting Motor Assy	1	
3	100053424	双联齿轮轴	Shaft Reduction	1	
4	100103244	双联齿轮轴套	Reduction Shaft Sleeve	1	
5	100053425	双联齿轮	Twin Gear Set	1	
6	100101017	轴承(K22×29×17_滚针)	Needle BeaRing,(K22×29×17)	1	
7	100202731	启动大齿轮组合(2#)	Plate Gear Assy	1	

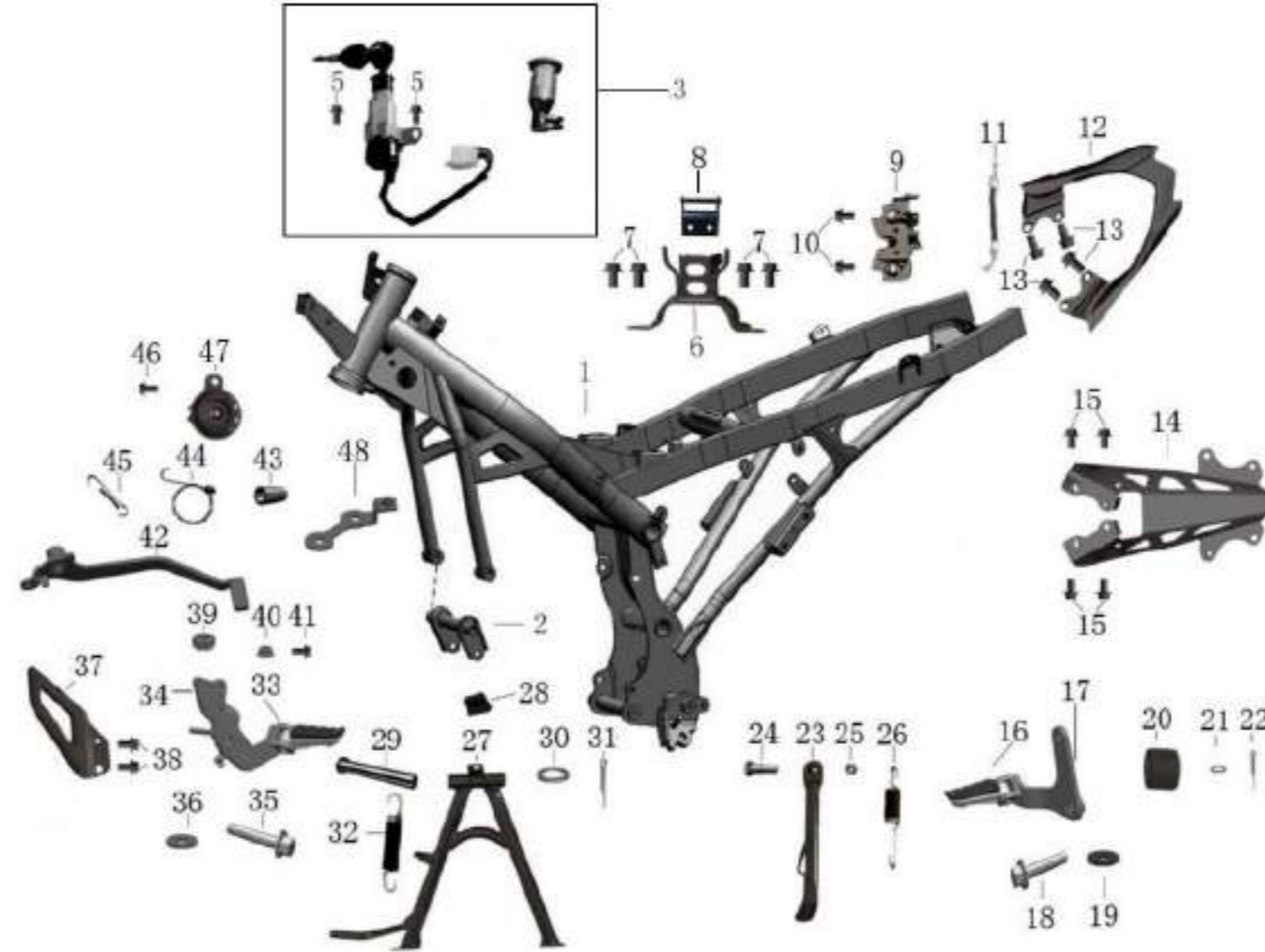
12 ENGINE ASSY 发动机总成



NO.	Part Code	Chinese Description	English Description	Qty	Remark
1	380870005-0001	前悬挂轴 M10*200	FRONT SUSPENSION SHAFT M10*200	1	
2	380450005-0001	平垫 10	WASHER Φ10	3	
3	380460002-0001	弹垫 10	SPRING WASHER Φ10	3	
4	380400002-0001	螺母 M10*1.25	NUT M10*1.25	2	
5	380330001-0001	盖形螺母 M8	NUT M8	2	
6	180650001-0001	隔热铜垫	INSULATION COPPER PAD	1	
7	380140010-0001	前悬挂螺栓 M8*90	BOLT M8*90	1	
8	380450004-0001	平垫 8	WASHER Φ8	1	
9	380460001-0001	弹垫 8	SPRING WASHER Φ8	1	
10	380400001-0001	螺母 M8	NUT M8	1	
11	341540001-0001	导流罩左支架	LEFT SHROUD BRACKET	1	
12	341540002-0001	导流罩右支架	RIGHT SHROUD BRACKET	1	
13	193700004-0001	变档杆	SHIFT ARM	1	
14	380070001-0001	螺栓 M6*20	BOLT M6*20	1	
15	380140014-0001	后悬挂螺栓 M10*1.25*115	BOLT M10*1.25*115	2	

NO.	Part Code	Chinese Description	English Description	Qty	Remark
17	380140008-0001	螺栓 M8*35	BOLT M8*35	2	
18	380450002-0001	平垫 $\Phi 8*\Phi 24*2$	WASHER $\Phi 8*\Phi 24*2$	2	
19	380100001-0001	螺栓 M6*25	BOLT GB70.1 M6*25	2	
20	180560005-0001	消声器总成	MUFFLER ASSY	1	
21	380140001-0001	螺栓 M6*12	BOLT M6*12	2	
23	180130001-0001	空滤器芯	AIR FILTER	1	
25	180230002-0001	喉管	THROAT PIPE	1	
26	381000003-0001	透明管	TRANSPARENT PIPE	1	
29	382450002-0001	抱箍	HOOP	1	
30	381760002-0001	透明管卡扣	CLIP, TRANSPARENT PIPE	1	
31	180010004-0001	空滤器总成	AIR CLEANER ASS.	1	
32	180960001-0001	消声器护罩	MUFFLER COVER	1	
33	381240006-0001	内六角带盘 M6*16	BOLT WITH PIN M6*16	3	
34	380460004-0001	弹垫 GB93 ϕ 6	SPRING WASHER GB93 ϕ 6	3	
35	380450001-0001	平垫 GB96 Φ 6	WASHER GB96 Φ 6	3	
36	380450011-0001	钢丝平垫 Φ 6	STEEL WASHER Φ 6	3	

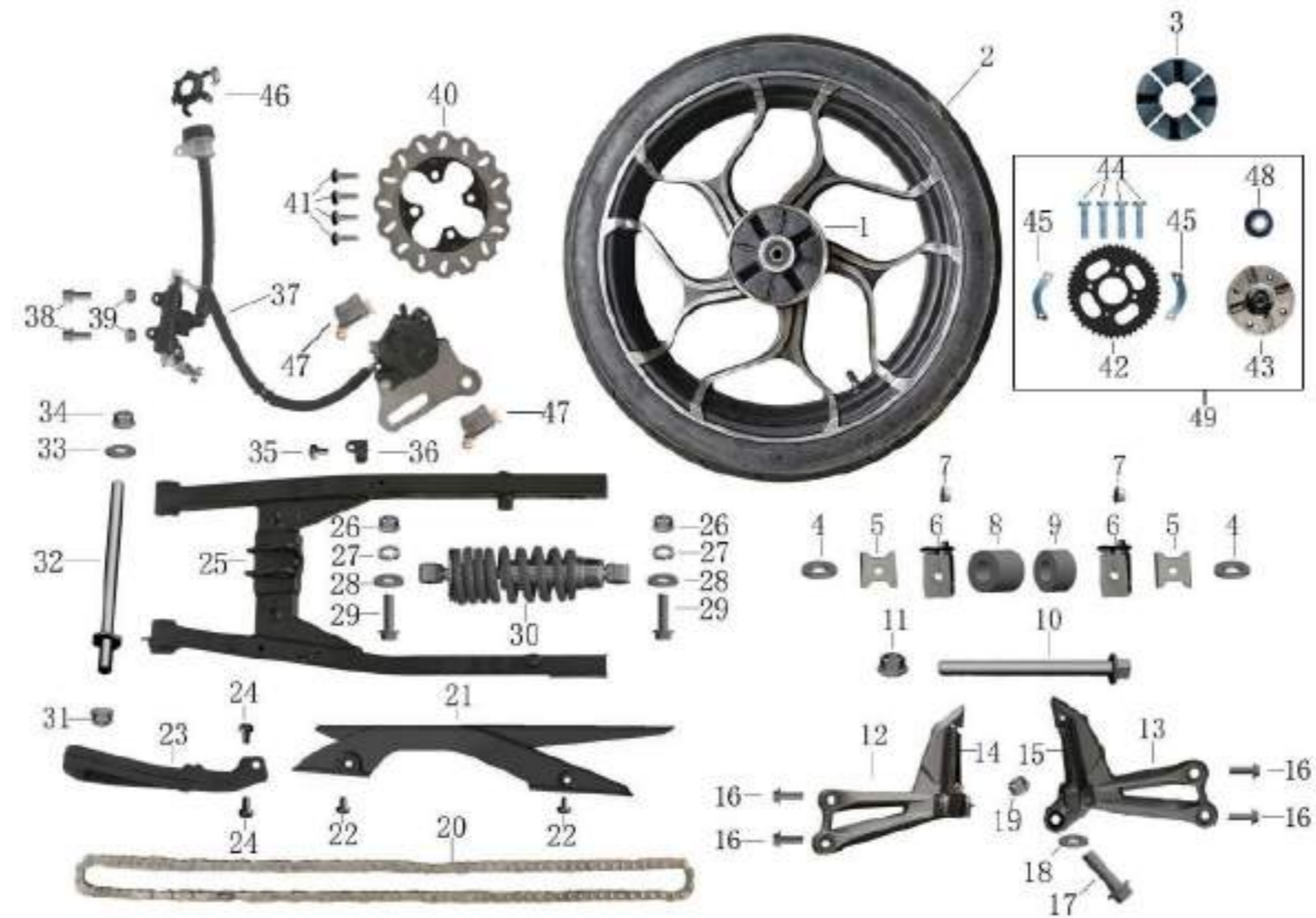
13 FRAME ASSY 车架



NO.	Part Code	Chinese Description	English Description	Qty	Remark
1	020170005-0001	车架	FRAME ASSY	1	
2	300020001-0001	发动机前悬挂	FRONT SUSPENSION	1	
3	500320009-0001	套锁 (点火锁, 钥匙, 坐垫锁)	LOCK SET (IGNITION LOCK,KEY,SEAT LOCK)	1	
5	380140001-0001	螺栓 M6*12	BOLT M6*12	2	
6	330230001-0001	坐垫支架	SEAT BRACKET	1	
7	380140001-0001	螺栓 M6*12	BOLT M6*12	4	
8	330100001-0001	铰链	HINGE	1	
9	330170001-0001	坐垫锁座	SEAT LOCK BASE	1	
10	380140002-0001	螺栓 M6*16	BOLT M6*16	2	
11	330250001-0001	坐垫拉索	CABLE, SEAT LOCK	1	
12	330480001-0001	后扶手	REAR GRIP	1	
13	380140007-0001	螺栓 M8*25	BOLT M8*25	4	
14	300390001-0001	后挡泥支架	REAR FENDER BRACKET	1	
15	380140002-0001	螺栓 M6*16	BOLT M6*16	4	

NO.	Part Code	Chinese Description	English Description	Qty	Remark
16	311650003-0001	左前脚蹬	L, FRONT FOOTPEG	1	
17	311670003-0001	左前脚蹬支架	FRONT FOOTPEG BRACKET, L	1	
18	380140007-0001	螺栓 M8*25	BOLT M8*25	1	
19	380450002-0001	平垫 Φ8*24	WASHER Φ8*24	1	
20	312530002-0001	导链轮	CHAIN TENSIONING PULLEY	1	
21	380450004-0001	平垫 Φ8	WASHER Φ8	1	
22	380590001-0001	开口销 2.5*30	SPLIT PIN 2.5*30	1	
23	311880005-0001	侧支架	SIDE STAND	1	
24	312550002-0001	安装台阶螺栓 M10*35+12*15	BOLT M10*35+12*15	1	
25	380400002-0001	螺母 M10*1.25	NUT M10*1.25	1	
26	381140003-0001	侧支架弹簧 (长130, 180°)	SIDE STAND SPRING L=130, 180°	1	
27	311970001-0001	主站架	MAIN STAND	1	
28	311990001-0001	主站架缓冲胶	MAIN STAND BUFFER RUBBER	1	
29	380870004-0001	主站架轴 φ17×107 (孔) 销孔: φ3.3	MAIN STAND SHAFT φ17×107 HOLES φ3.3	1	
30	380450008-0001	垫圈 Φ17*23	WASHER Φ17*23	1	
31	380590002-0001	开口销	PIN COTTER	1	
32	314380001-0001	主站架弹簧 (长105, 180°)	MAIN STAND SPRING L=105, 180°	1	
33	311660003-0001	右前脚蹬	FRONT FOOTPEG, R	1	
34	311680003-0001	右前脚蹬支架	FRONT FOOTPEG BRACKET, R	1	
35	380070001-0001	螺栓 GB5783 M6*20	BOLT M6*20	1	
36	380450002-0001	垫圈 Φ8*24	WASHER Φ8*24	1	
37	292820001-0001	后碟主泵装饰板	REAR MAIN PUMP TRIM PLATE	1	
38	380140002-0001	不锈钢内六角M6*16 盘Φ13.5	STAINLESS STEEL BOLT M6*16 PLATE Φ13.5	2	
39	380340002-0001	螺母 M12*1.25	NUT M12*1.25	1	
40	380370002-0001	螺母 M6	NUT M6	1	
41	380140009-0001	螺栓 GB5789 M8*70	BOLTM8*70	1	
42	290870004-0001	制动臂	REAR BRAKE PEDAL	1	
43	380820001-0001	制动臂衬套	BUSHING, REAR BRAKE PEDAL	1	
44	291320003-0001	制动回位扭簧	BRAKE RETURN SPRING	1	
45	291330002-0001	制动开关簧 (长45, 360°)	BRAKE SWITCH SPRING L=45, 360°	1	
46	380140002-0001	螺栓 M6*16	BOLTM6*16	1	
47	280190003-0001	喇叭	HORN	1	
48	29350001-0001	油杯支架	OIL CUP HOLDER	1	

14 REAR SUSPENSION 后悬挂



NO.	Part Code	Chinese Description	English Description	Qty	Remark
1	290220004-0001	后轮轮辋	REAR WHEEL RIM ASSY. (2.75*17)	1	
2	AC-110/70-17 KT119R	后轮内外胎	TYRE,R 110/70-17 KT119 TUBELESS, REAR	1	
3	290310001-0001	缓冲块	BUFFER RUBBER	4	
4	380450007-0001	垫圈 Φ12*Φ24*2 军绿	WASHER Φ12 army green	2	
5	311460001-0001	侧挡板	CHAIN ADJUSTER BLOCK	2	
6	311430002-0001	调节器	CHAIN ADJUSTER	2	
7	343250001-0001	螺纹装饰盖	COVER CAP	2	
8	380820002-0001	后轮左衬套 φ12×φ26×24	L BUSHING, REAR WHEEL	1	
9	380820003-0001	后轮右衬套 φ12×φ26×10	R BUSHING, REAR WHEEL	1	
10	380870002-0001	后轮轴 M12*1.25*270	REAR WHEEL AXLE	1	
11	380400003-0001	螺母 M12*1.25	NUT M12	1	
12	312170003-0001	左后脚蹬支架	REAR FOOTPEG BRACKET, L	1	
13	312180003-0001	右后脚蹬支架	REAR FOOTRPEG BRACKET, R	1	
14	312150003-0001	左后脚蹬	L, REAR FOOTPEG	1	
15	312160003-0001	右后脚蹬	R, REAR FOOTPEG	1	

NO.	Part Code	Chinese Description	English Description	Qty	Remark
16	380140007-0001	螺栓 M8*25	BOLT M8*25	4	
17	380140008-0001	螺栓 M8*35	BOLT M8*35	1	
18	380450002-0001	垫圈 8*24	WASHER 8*24	1	
19	380370003-0001	螺母 M8	NUT M8	1	
20	260010004-0001	链条 428HS-124, 不带油封	CHAIN	1	
21	260060002-0001	链盒	CHAIN CASE	1	
22	381240001-0001	螺栓 M6*12	BOLT M6*12	2	
23	311410003-0001	链条护卡	CHAIN GUARD	1	
24	381240001-0001	螺栓 M6*12	BOLT M6*12	2	
25	311080004-0001	平叉	REAR SWING ARM	1	
26	380400002-0001	螺母 M10*1.25	NUT M10	2	
27	380460002-0001	弹垫 10	ELASTIC WASHER Φ10	2	
28	380450005-0001	平垫 10	WASHER Φ10	2	
29	380140013-0001	螺栓 M10*1.25*50	BOLT M10*50	2	
30	45014-F15-001	后减	REAR SHOCK ABSORBER	1	
31	380400003-0001	螺母 M12*1.25	NUT M12	1	
32	380870003-0001	平叉轴	REAR SWING ARM AXLE	1	
33	380450007-0001	平垫 Φ12xΦ24x2 军绿	WASHER Φ12	1	
34	380400003-0001	螺母 M12*1.25	NUT M12	1	
35	380140001-0001	内六角花盘螺栓 M6*12	BOLT M6*12	1	
36	360760002-0001	碟刹油管定位卡	LINE CARD	1	
37	291920007-0001	后碟刹总成	REAR DISC BRAKE ASSY	1	
38	380140004-0001	螺栓 M6*25	BOLT M6*25	2	
39	380370002-0001	螺母 M6	NUT M6	2	
40	291930002-0001	后碟刹盘	REAR BRAKE DISC	2	
41	380140008-0001	螺栓 M8*35	BOLT M8*35	1	
42	290420002-0001	链盘45齿	SPROCKET 45 GEAR	1	
43	290320001-0001	缓冲体本体	BUFFER BODY	1	
44	380140008-0001	链盘安装螺栓 8*35	BOLT 8*35	4	
45	296020001-0001	止退片	RETAINING WASHER	2	
46	293160001-0001	油杯装饰罩	OIL CUP DECORATION COVER	1	
47	292020002-0001	后碟刹片	REAR DISC BRAKE PADS	2	
48	380630009-0001	缓冲体轴承6103	BUFFER BEARING 6103	1	
49	290380001-0001	缓冲体总成	BUFFER BODY ASS.	1	

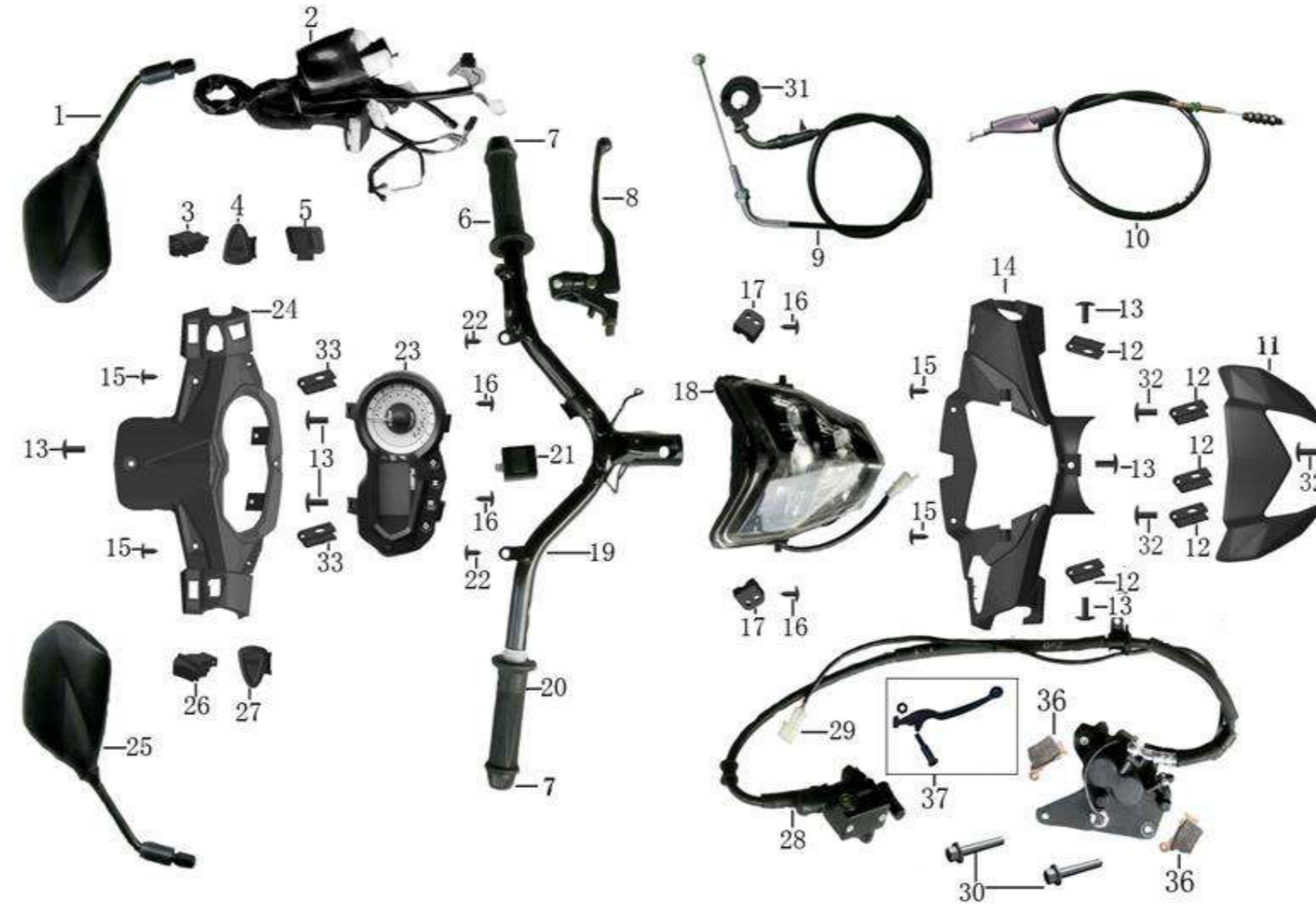
15 FRONT FORK SUSPENSION 前叉总成



NO.	Part Code	Chinese Description	English Description	Qty	Remark
1	020230004-0001	方向柱	STEERING STEM	1	
2	380140011-0001	螺栓 M10*1.25*50	BOLT M10*50	4	
3	310370002-0001	上座圈	UPPER SEAT RING	1	
4	190050001-0001	上保持架	STEEL BALL UPPER	1	
5	310390001-0001	上弹碗	UPPER SPRING BOWL	1	
6	310400001-0001	下弹碗	LOWER SPRING BOWL	1	
7	190050002-0001	保持架	STEEL BALL LOWER	1	
8	310380001-0001	下座圈	LOWER SEAT RING	1	
9	310350001-0001	方向柱卡圈	STEERING STEM RING Φ 34	1	
10	310320001-0001	方向柱防尘垫	DUSTPROOF GASKET, STEERING STEM	1	
11	310260001-0001	锁紧螺母	LOCKING NUT, STEERING STEM	1	
12	310280001-0001	锁紧卡垫 Φ 26	WASHER Φ 26	1	
13	310310002-0001	防尘盖	DUSTPROOF GASKET, STEERING STEM	1	
14	380140011-0001	螺栓 M10*1.25*50	BOLT M10*50	1	
15	310340002-0001	手把卡子	HANDLEBAR BUSHING	1	front

NO.	Part Code	Chinese Description	English Description	Qty	Remark
16	310340001-0001	方向柱卡子	STEERING STEM BUSHING	1	rear
17	380400002-0001	螺母 M10*1.25	NUT M10	1	
18	310460006-0001	右前减震器	FRONT SHOCK ABSORBER R	1	
19	310450006-0001	左前减震器	FRONT SHOCK ABSORBER L	1	
20	290020004-0001	前轮轮辋	ALUMINUM WHEEL	1	
21	AC-70/90-17 KT119F	前轮内外胎	TYRE, F 70/90-17 KT119 TUBELESS, FRONT	1	
22	291420002-0001	前碟刹盘	FRONT BRAKE DISC	1	
23	380140004-0001	螺栓 M6*25	BOLT M6*25	5	
24	380820004-0001	前轮右衬套 $\phi 12 \times \phi 23 \times 12 + \phi 12 \times \phi 26 \times 9$ 总长21	FRONT WHEEL BUSHING, R	1	
25	380820005-0001	前轮左衬套 $\phi 12 \times \phi 25 \times 12 + \phi 12 \times \phi 26 \times 19$ 总长31	FRONT WHEEL BUSHING, L	1	
26	380870001-0001	前轮轴 $\phi 12 \times 168 + \phi 17 \times 50$ 总长218	FRONT WHEEL AXLE	1	
27	291850002-0001	计速器 (齿圈)	RING GEAR	1	
28	310570002-0001	前减油封	FRONT ABSORBER OIL SEAL	2	
29	380190002-0001	前轮轴锁紧螺栓 8*25	FRONT WHEEL AXLE LOCK NUT 8*25	2	
30	310570003-0001	前减防尘油封	DUSTPROOF SEAL, FRONT ABSORBER	2	

16 HANDLE BAR & DISC BRAKESYSTEM 手把组合



NO.	Part Code	Chinese Description	English Description	Qty	Remark
1	360530001-0001	右后视镜	SIDE MIRROR, R	1	
2	281430005-0001	仪表线束	METER WIRING HARNESS	1	
3	324170001-0001	转向开关	TURN SWITCH	1	
4	271450001-0001	喇叭开关	HORN SWITCH	1	
5	271440001-0001	远近光开关	HIGH AND LOW BEAM SWITCH	1	
6	320180005-0001	左手把胶	HANDLEBAR RUBBER, L	1	
7	320560005-0001	手把胶装饰盖	COVER CAP, HANDLRBAR RUBBER	2	
8	271510005-0001	离合手柄	CLUTCH LEVER	1	
9	171210003-0001	油门线	THROTTLE CABLES	1	
10	320240004-0001	离合拉索	CLUTCH CABLES	1	
11	341420001-0001	灯壳上盖 深蓝	LAMP HOUSING UPPER COVER dark blue	1	
11	341420001-0002	灯壳上盖 亮黑	LAMP HOUSING UPPER COVER black	1	
12	380420003-0001	螺纹夹 M5	THREAD CLIP M5	5	
13	380230001-0001	十字大扁头 M5	SCREW M5	8	
14	280400001-0001	灯壳	HEADLIGHT PLASTIC COVER	1	

NO.	Part Code	Chinese Description	English Description	Qty	Remark
15	380310007-0001	自攻钉1 ST4.2*13	TAPPING SCREW1 ST4.2*13	4	
16	380310007-0001	自攻钉1 ST4.2*13	TAPPING SCREW1 ST4.2*13	4	
17	360760001-0001	大灯定位卡	HEADLIGHT POSITIONING CARD	2	
18	280350003-0001	大灯	HEADLIGHT	1	
19	320020004-0001	手把管	HANDLEBAR	1	
20	320180006-0001	右手把胶	HANDLEBAR RUBBER, R	1	
21	280150001-0001	闪光器	FLASHER	1	
22	380310006-0001	自攻钉 ST4.8*13	TAPPING SCREWS ST4.8*13 ?12.6	2	
23	281370004-0001	仪表	METER ASSY	1	
24	341650001-0001	仪表壳	METER HOUSING	1	
25	360500001-0001	左后视镜	SIDE MIRROR,L	1	
26	271640003-0001	电启动开关	ELECTRIC START SWITCH	1	
27	150200001-0001	大灯开关堵盖	HEADLIGHT SWITCH COVER	1	
28	291410005-0001	前碟刹	FRONT DISC BRAKE	1	
29	281660001-0001	里程传感线	SPEED COUNTER	1	
30	380140007-0001	螺栓 M8*25	BOLT M8*25	2	
31	271650003-0001	加油器座	OILER SEAT	1	
32	380230001-0001	十字大扁头 M5	SCREW M5	8	
33	380420003-0001	螺纹夹 M5	THREAD CLIP M5	2	
36	291730002-0001	前碟刹蹄片	FRONT DISC BRAKE PADS	2	
37	271710002-0001	前碟刹手柄(带附件)	FRONT DISC BRAKE LEVER	1	

17 WIRE HARNESS & ELECTRIC DEVICE 主电缆及电器件



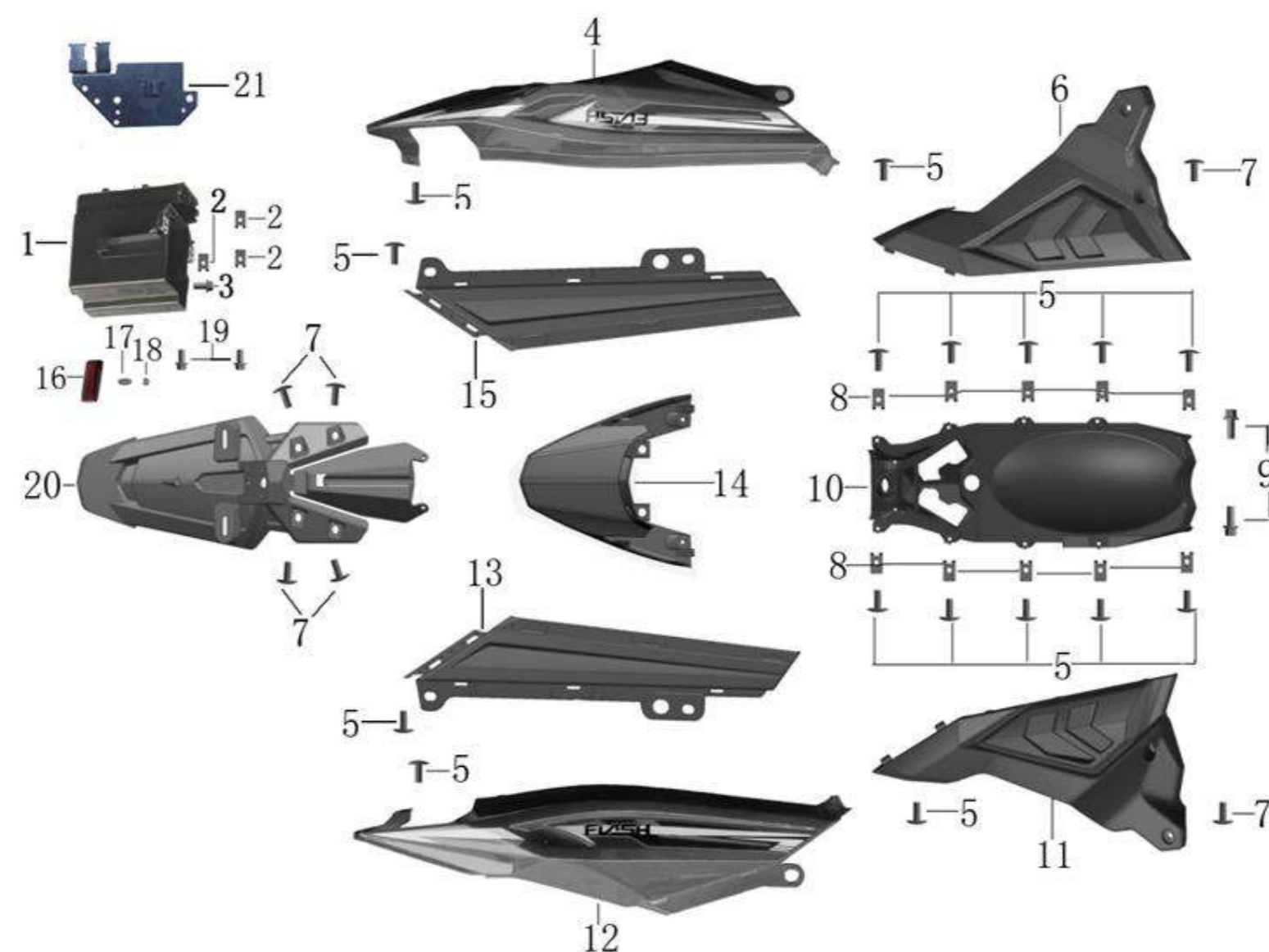
NO.	Part Code	Chinese Description	English Description	Qty	Remark
1	AC-YTX6.5L-BS	电瓶 6MF6L 12V6Ah	BATTERY 6MF6L 12V6Ah	1	
2	280780002-0001	右前转向灯	FRONT TURE SIGNAL LAMP, R	1	
3	280760002-0001	左前转向灯	FRONT TURE SIGNAL LAMP, L	1	
4	380310006-0001	自攻钉1 ST4.8*13 军绿	TAPPING SCREWS ST4.8*13 Φ12.6 army green	8	
5	280580003-0001	尾灯	TAILLIGHT	1	
6	380310007-0001	自攻钉2 ST4.2*13 Φ8.6 军绿	TAPPING SCREWS ST4.2*13 Φ8.6 army green	4	
7	280770002-0001	后左转向灯	REAR TURN SIGNAL LAMP, L	1	
8	280790002-0001	后右转向灯	REAR TURN SIGNAL LAMP, R	1	
9	280720001-0001	后牌照灯	REAR REGISTRATION PLATE LAMP	1	
10	380370001-0001	螺母 M5	NUT M5	2	
11	380450009-0001	平垫 5	WASHER Φ5	2	

18 FUEL TANK 油箱总成



NO.	Part Code	Chinese Description	English Description	Qty	Remark
1	330010003-0001	座垫	SEAT CUSHION	1	
2	502060003-0001	油箱	FUEL TANK	1	
3	380140005-0001	螺栓 M6*30	BOLT M6*30	4	
4	380820006-0001	T型衬套	BUSHING	4	
5	170700001-0001	油箱减震胶垫	RUBBER MAT	4	
6	170870002-0001	油箱盖	FUEL TANK FILLER CAP	1	
7	380140005-0001	螺栓M6×30	BOLT M6×30	4	
10	173150001-0001	油泵盖板	FUEL PUMP COVER BOARD	1	
11	170690002-0001	油箱定位胶	FUEL TANK POSITIONING RUBBER	2	
12	380340001-0001	螺母 M6	NUT M6	2	

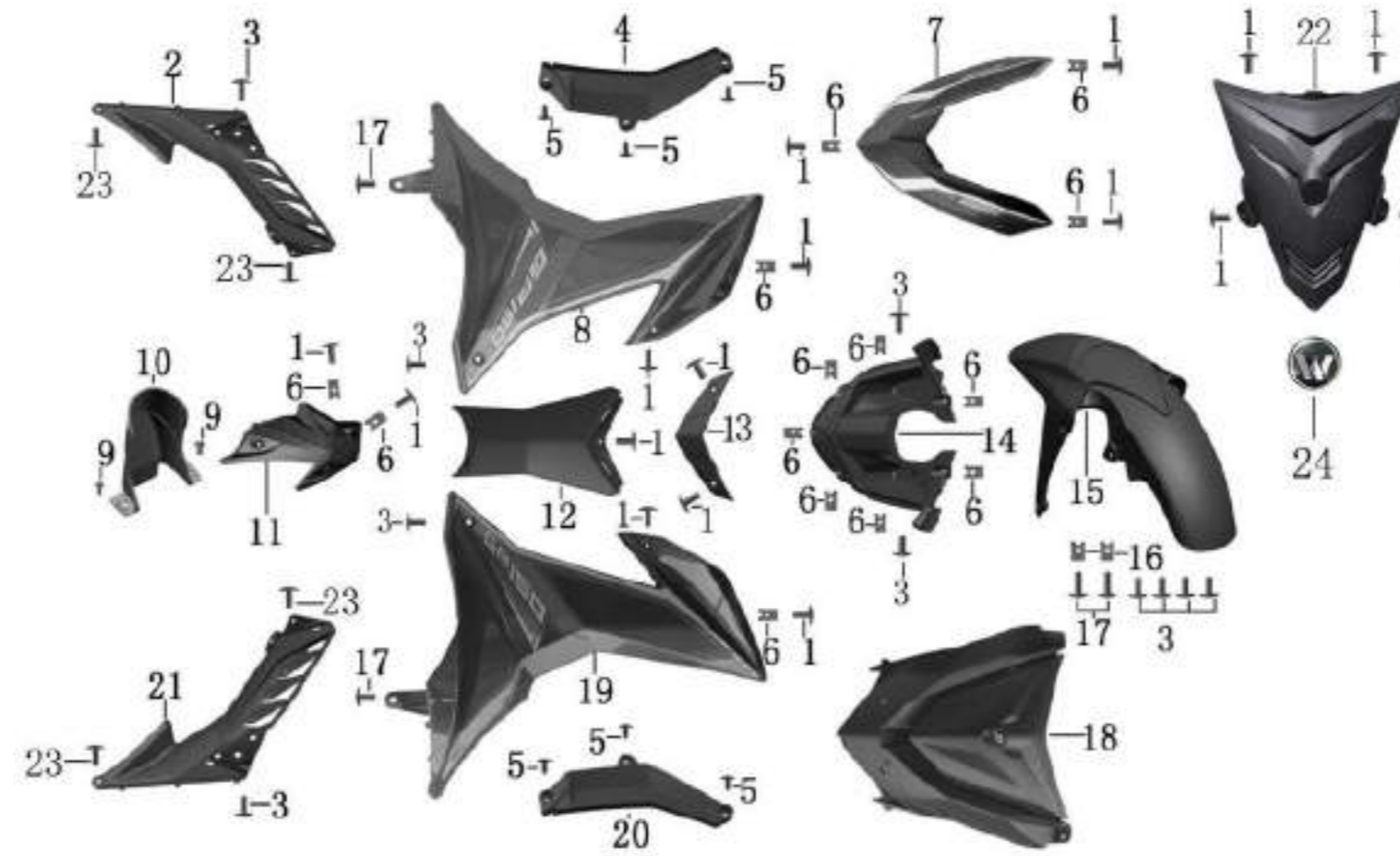
19 REAR FENDER ASSY/TAIL FRAME ASSEMBLY 后挡泥总成/尾框总成



NO.	Part Code	Chinese Description	English Description	Qty	Remark
1	271110001-0001	电瓶盒	BATTERY BOX	1	
2	380420002-0001	螺母夹	NUT CLAMP M6	3	
3	380140005-0001	螺栓 M6*30	BOLT M6*30	1	
4	342040001-0001	左车体 深蓝	LEFT BODY dark blue	1	
4	342040001-0002	左车体 亮黑	LEFT BODY black	1	
5	380230001-0001	螺栓 大扁头 M5*14	BOLT M5*14	12	
6	341030002-0001	左侧盖	LEFT SIDE COVER	1	
7	381240002-0001	螺栓 大扁头 M6*16	BOLT M6*16	6	
8	380420003-0001	螺纹夹 M5	THREAD CLIP M5	10	
9	380140002-0001	螺栓 M6*16	BOLT M6*16	2	
10	340450002-0001	后挡泥前段	REAR FENDER FRONT PART	1	
11	341050002-0001	右侧盖	RIGHT SIDE COVER	1	
12	342080001-0001	右车体 深蓝	RIGHT BODY dark blue	1	
12	342080001-0002	右车体 亮黑	RIGHT BODY black	1	
13	342090001-0001	右车体前段	RIGHT BODY FRONT PART	1	

NO.	Part Code	Chinese Description	English Description	Qty	Remark
14	342390002-0001	尾盖	TAIL COVER	1	
15	342060001-0001	左车体前段	LEFT BODY FRONT PART	1	
16	280110001-0001	后反射器	REAR REFLECTOR	1	
17	380450009-0001	平垫 5	WASHER Φ 5	1	
18	380370001-0001	螺母 M5	NUT M5	1	
19	380140002-0001	螺栓 M6*16	BOLT M6*16	2	
20	340660002-0001	后挡泥板	REAR FENDER	1	
21	271170002-0001	电瓶盒压板	BATTERY BOX PRESSING BOARD	1	

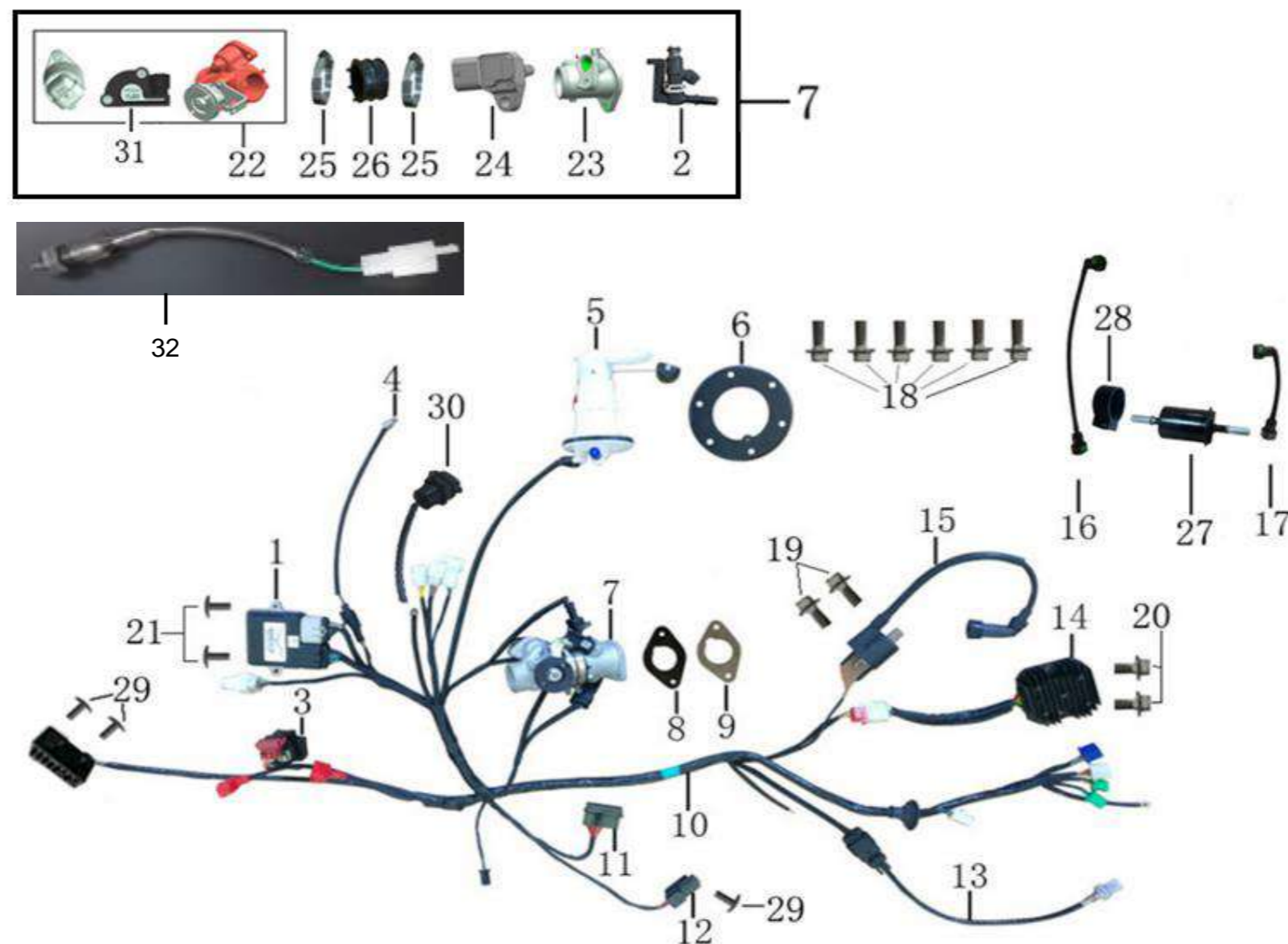
20 WINDSHIELD ASSEMBLY 挡风总成



NO.	Part Code	Chinese Description	English Description	Qty	Remark
1	380230001-0001	螺栓 十字大扁头 M5*14	BOLT M5*14	16	
2	342070001-0001	左中护板后段	MIDDLE COVER REAR PART, L	1	
3	381240003-0001	螺栓 M6*16	BOLT M6*16	10	
4	341190001-0001	左挡风装饰罩	LEFT WINDSHIELD TRIM COVER	1	
5	380310006-0001	自攻钉 ST4.2*13 Φ12.6 军绿	TAPPING SCREWS ST4.2*13 Φ12.6 army green	6	
6	380420003-0001	螺纹夹 M5	THREAD CLIP M5	14	
7	346610001-0001	前面板装饰罩 深蓝	FRONT PANEL TRIM COVER dark blue	1	
7	346610001-0002	前面板装饰罩 亮黑	FRONT PANEL TRIM COVER black	1	
8	341150002-0001	左挡风 深蓝	LEFT WINDSHIELD dark blue	1	
8	341150002-0002	左挡风 亮黑	LEFT WINDSHIELD black	1	
9	380140001-0001	螺栓 M6*12	BOLT M6*12	2	
10	347520001-0001	后减装饰盖	REAR ABSORBER TRIM COVER	1	
11	341870001-0001	下导流罩	LOWER SHROUD	1	
12	342230001-0001	中护板维修盖	MIDDLE GUARD SERVICE COVER	1	
13	344860001-0001	中护板前装饰盖	MIDDLE GUARD PLATE FRONT TRIM COVER	1	

NO.	Part Code	Chinese Description	English Description	Qty	Remark
14	342220001-0001	中护板前段	MIDDLE GUARD PLATE FRONT COVER	1	
15	340140003-0001	前挡泥 深蓝	FRONT FENDER dark blue	1	
15	340140003-0002	前挡泥 亮黑	FRONT FENDER black	1	
16	380420002-0001	螺纹夹 M5	NUT CLAMP M5	2	
17	380140004-0001	螺栓 M6*25	BOLT M6*25	2	
18	341210001-0001	前面板	FRONT PANEL	1	
19	341170002-0001	右挡风 深蓝	RIGHT WINDSHIELD dark blue	1	
19	341170002-0002	右挡风 亮黑	RIGHT WINDSHIELD black	1	
20	341200001-0001	右挡风装饰罩	RIGHT WINDSHIELD TRIM COVER	1	
21	342100001-0001	右中护板后段	MIDDLE COVER REAR PART, R	1	
22	341280001-0001	前面板装饰盖	FRONT PANEL TRIM PLATE	1	
23	380230001-0002	螺栓 十字大扁头 M5*14 军绿	BOLT M5*14 Army Green	4	
24	370350001-0001	水晶标 直径30mm, 定位孔距16.8mm	CRYSTAL LOGO	1	
25	500360004-0001	贴花 深蓝	DECALS dark blue	1	Sticker Set (Dark Blue)
26	500360004-0002	贴花 绿色	DECALS green	1	Sticker Set (Green)
27	500360004-0003	贴花 绿松石	DECALS turquoise	1	Sticker Set (Turquoise)

21 ELECTRONIC CONTROL SYSTEM COMPONENTS OF ELECTRONIC INJECTION ENGINE 电喷系统部件



NO.	Part Code	Chinese Description	English Description	Qty	Remark
1	172710001-0001	ECU	ELECTRONIC CONTROL UNIT	1	
2	173010001-0001	喷油器	FUEL INJECTOR	1	
3	270810003-0001	继电器	RELAY	1	
4	160720001-0001	缸温传感器	CYLINDER TEMPERATURE SENSOR	1	
5	172720001-0001	燃油泵	FUEL OIL PUMP ASSEMBLY	1	
6	172800001-0001	燃油泵压板	PRESSING PLATE	1	
7	172810001-0001	节气门及进气管总成	THROTTLE AND INTAKE PIPE ASS.	X	refer child part
8	170440001-0001	隔热垫	INSULATION PAD	1	
9	174170001-0001	纸垫	PAPER WASHER	1	
10	271230005-0001	主电缆 (FI)	WIRE HARNESS (FI)	1	
11	381740001-0001	保险盒	FUSE BOX	1	
12	273030001-0001	油泵继电器	PUMP RELAY	1	
13	172750001-0001	氧传感器	OXYGEN SENSORS	1	
14	271930005-0001	调压器 (FI)	VOLTAGE REGULATOR(FI)	1	
15	277950003-0001	高压包 (FI)	IGNITION COIL(FI)	1	

NO.	Part Code	Chinese Description	English Description	Qty	Remark
16	175280002-0001	高压油管275mm	HIGH PRESSURE FUEL HOSE 275mm	1	
17	175280001-0001	高压油管100mm	HIGH PRESSURE FUEL HOSE 100mm	1	
18	380140001-0001	螺栓 M6*12	BOLT M6×16	6	
19	380140003-0001	螺栓 M6*20	BOLT M6*20	2	
20	380140001-0001	螺栓 M6*12	BOLT M6*12	2	
21	380270001-0001	螺栓 M6*16	BOLT M6×16	2	
22	173160001-0001	节流阀体分总成	THROTTLE BODY ASSY	1	
23	180430001-0001	进气歧管	INTAKE MANIFOLD	1	
24	172760001-0001	进气温压传感器	INTAKE TEMPERATURE SENSOR	1	
25	382450001-0001	进气管抱箍	INTAKE PIPE HOOP	2	
26	183250001-0001	进气管连接胶套	INTAKE PIPE CONNECTION RUBBER	1	
27	170010002-0001	燃油过滤器	OIL FILTER	1	
28	173060001-0001	燃油过滤器安装胶套	OIL FILTER INSTALLING RUBBER	1	
29	380230001-0001	螺栓十字大扁头 M5*14	BOLT M5*14 (盘Φ13)	3	
30	284700001-0001	USB接口	USB PORT	1	
31	172780001-0001	节气门位置传感器	THROTTLE POSITION SENSOR	1	
32	291380001-00	后刹车开关线 L=150mm	REAR BRAKE SWITCH WIRE	1	