

RIDLEY™

AMERICA'S AUTOMATIC MOTORCYCLE

DIAGRAMS & SPECIFICATIONS
For Most Auto-Glide Models

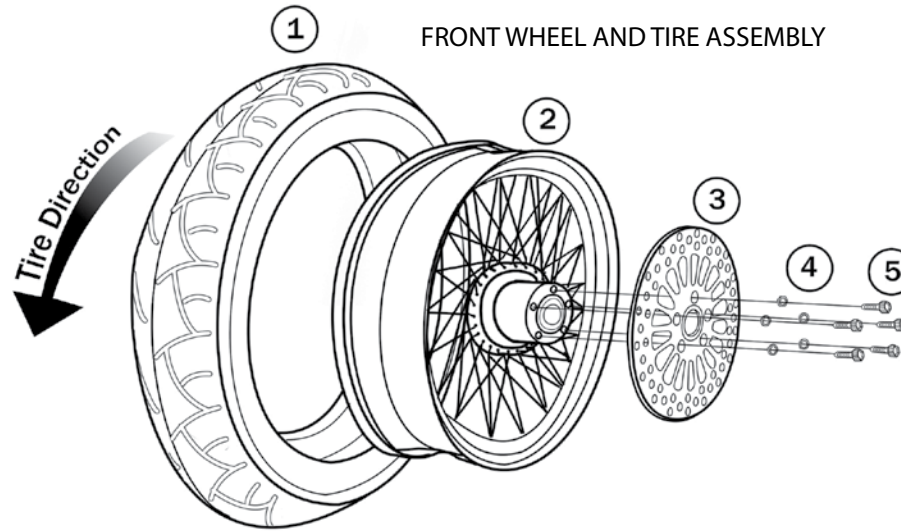


WHEELS

Drawing #43282

Model	
D Sport	✓
W Classic	✓
G TT	✓
N Old School	✓
H Chopper	✓

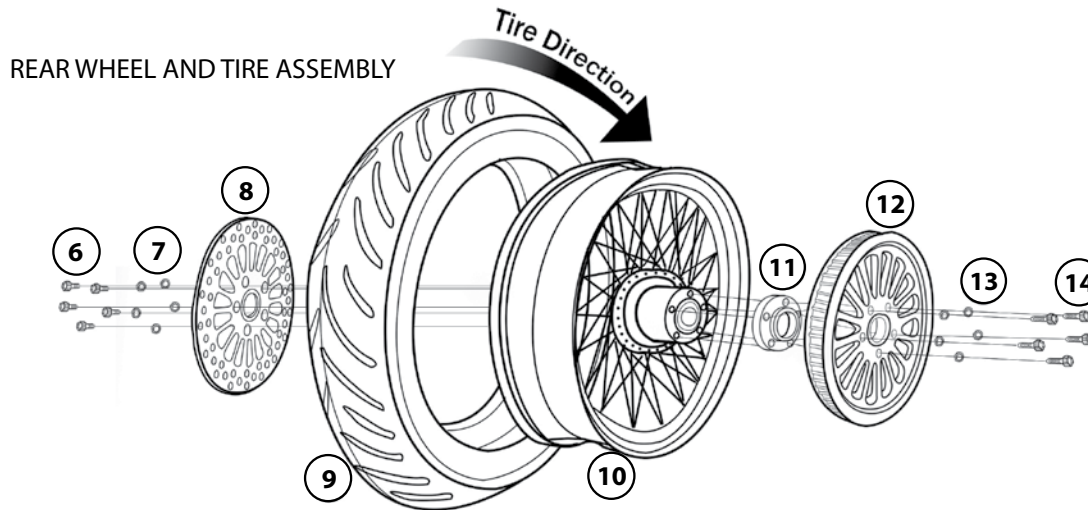
A-19



FRONT WHEEL AND TIRE ASSEMBLY

Front Wheel and Tire

Ridley Motorcycle Company		
Part Description	Qty.	Part No.
1.) Tire: See Pg. 43373	1	N/A
2.) Wheel: See Pg. 43373	1	N/A
3.) Rotor	1	B2170
4.) Washer 010	5	83239
5.) Bolt 285	5	83240



REAR WHEEL AND TIRE ASSEMBLY

Rear Wheel and Tire

Ridley Motorcycle Company		
Part Description	Qty.	Part No.
6.) Bolt 815A	5	83235
7.) Washer 015	5	83236
8.) Rotor	1	B2171
9.) Tire: See Pg. 43373	1	N/A
10.) Wheel: See Pg. 43373	1	N/A
11.) Spacer	1	12902
12.) Pulley	1	11354
13.) Washer 865	5	83237
14.) Bolt 835	5	83238

TORQUES

Part Description	Qty.	Torque
5.) Bolt 285	5	17 ft/lbs
6.) Bolt 815A	5	25 ft/lbs
14.) Bolt 835	5	40 ft/lbs

Diagrams & Specs

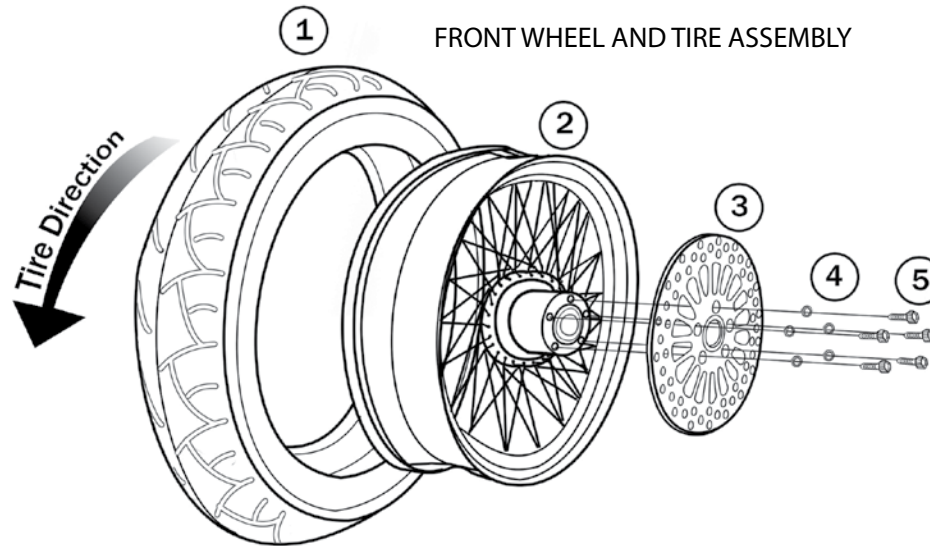
Models: AUTO-GLIDE (2006-UP)

A-20

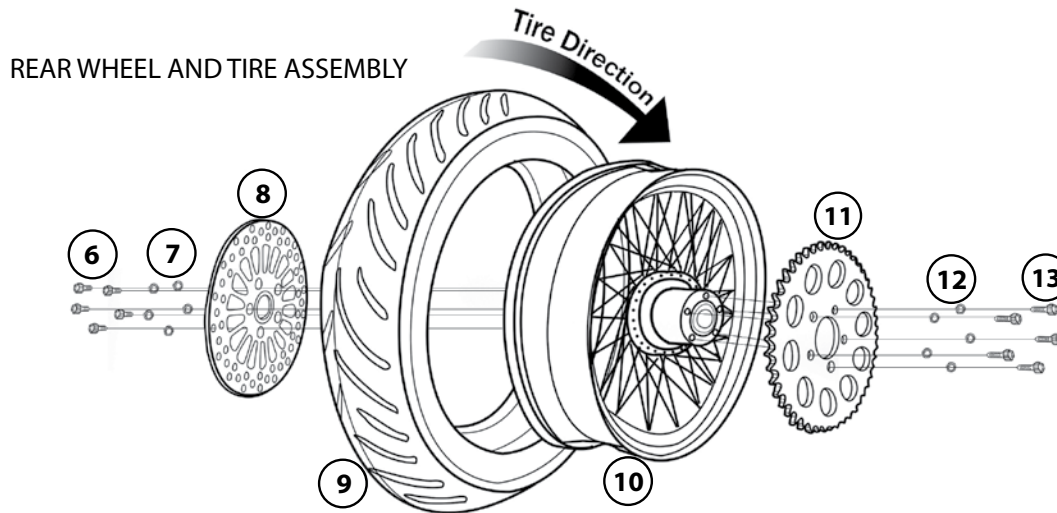


Drawing #43388

Model	
D Sport	✓
W Classic	✓
G TT	✓
N Old School	✓
H Chopper	✓



FRONT WHEEL AND TIRE ASSEMBLY



REAR WHEEL AND TIRE ASSEMBLY

Front Wheel and Tire

Ridley Motorcycle Company		
Part Description	Qty.	Part No.
1.) Tire: See Pg. 43373	1	N/A
2.) Wheel: See Pg. 43373	1	N/A
3.) Rotor	1	B2170
4.) Washer 010	5	83239
5.) Bolt 285	5	83240

Rear Wheel and Tire

Ridley Motorcycle Company		
Part Description	Qty.	Part No.
6.) Bolt 815A	5	83235
7.) Washer 015	5	83236
8.) Rotor	1	B2171
9.) Tire: See Pg. 43373	1	N/A
10.) Wheel: See Pg. 43373	1	N/A
11.) Sprocket	1	11665
12.) Washer 865	5	83237
13.) Bolt 835	5	83238

TORQUES

Part Description	Qty.	Torque
5.) Bolt 285	5	17 ft/lbs
6.) Bolt 815A	5	25 ft/lbs
14.) Bolt 835	5	40 ft/lbs

Diagrams & Specs

Models: AUTO-GLIDE (2006-UP)

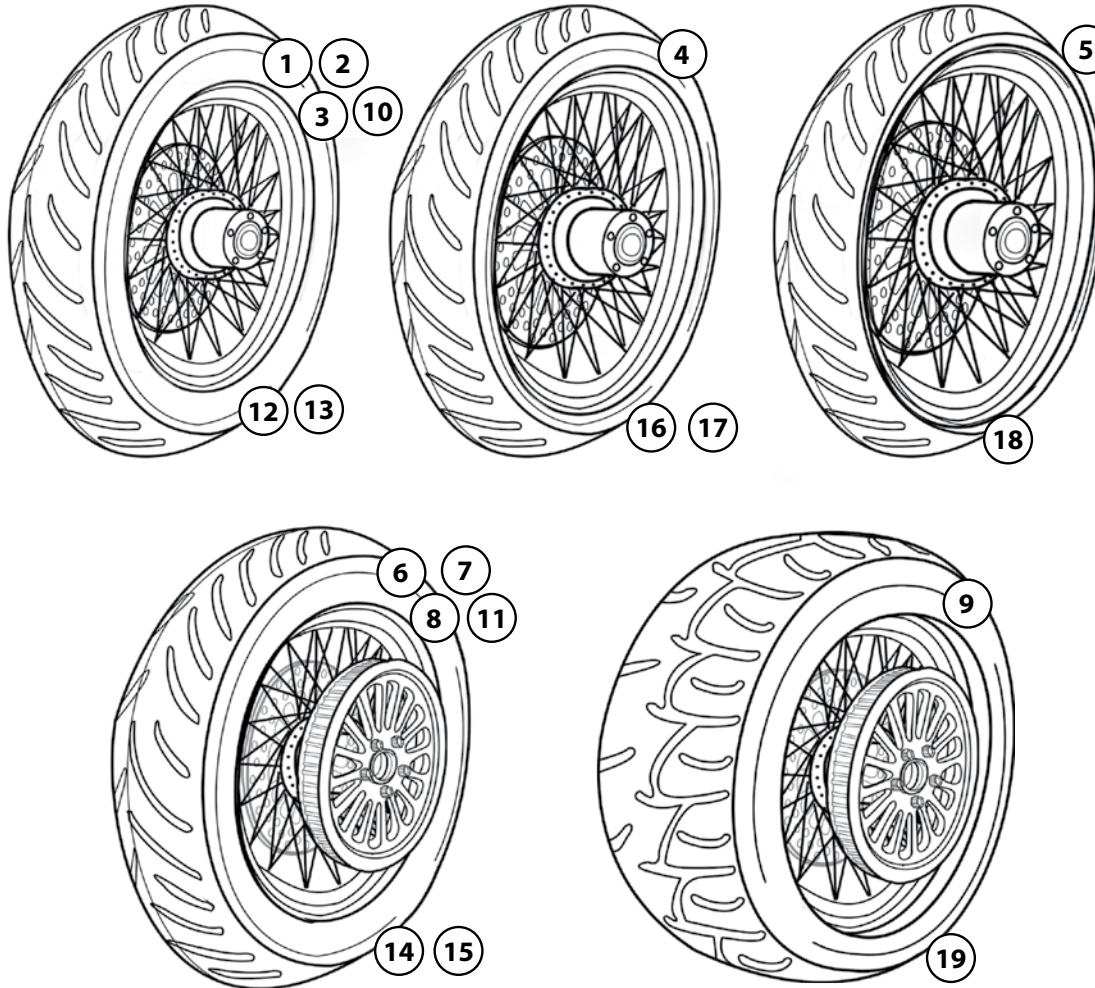
WHEEL AND TIRE OPTIONS



A-21

Drawing #43373

Model	
D Sport	✓
W Classic	✓
G TT	✓
N Old School	✓
H Chopper	✓



60 Spoke Wheel Options

Ridley Motorcycle Company		
Part Description	Qty.	Part No.
1.) 16" Front wheel	1	41673
2.) 16" Black Front wheel	1	41673-B
3.) 16" Red Front wheel	1	41673-R
4.) 19" Front wheel	1	42859
5.) 21" Front wheel	1	41978
6.) 16" Rear wheel	1	41673
7.) 16" Black Rear wheel	1	41673-B
8.) 16" Red Rear wheel	1	41673-R
9.) 18" 240 Rear wheel	1	42858

40 Spoke Wheel Options

Ridley Motorcycle Company		
Part Description	Qty.	Part No.
10.) 16" Front wheel	1	42537
11.) 16" Rear wheel	1	42838

Tire Options*

Ridley Motorcycle Company		
Part Description	Qty.	Part No.
12.) 130 Metzeler Tire (F)	1	42533
13.) 130 White Wall Tire (F)	1	42544
14.) 160 Metzeler Tire (R)	1	42532
15.) 160 White Wall Tire (R)	1	42545
16.) 19" Metzeler Tire	1	42561
17.) 19" White Wall Tire	1	42925
18.) 21" Metzeler Tire	1	43023
19.) 240 Metzeler Tire	1	42562

*Tread pattern shown to left is only a representational drawing and does not reflect the actual tread pattern.

Diagrams & Specs

Models: AUTO-GLIDE (2006-UP)

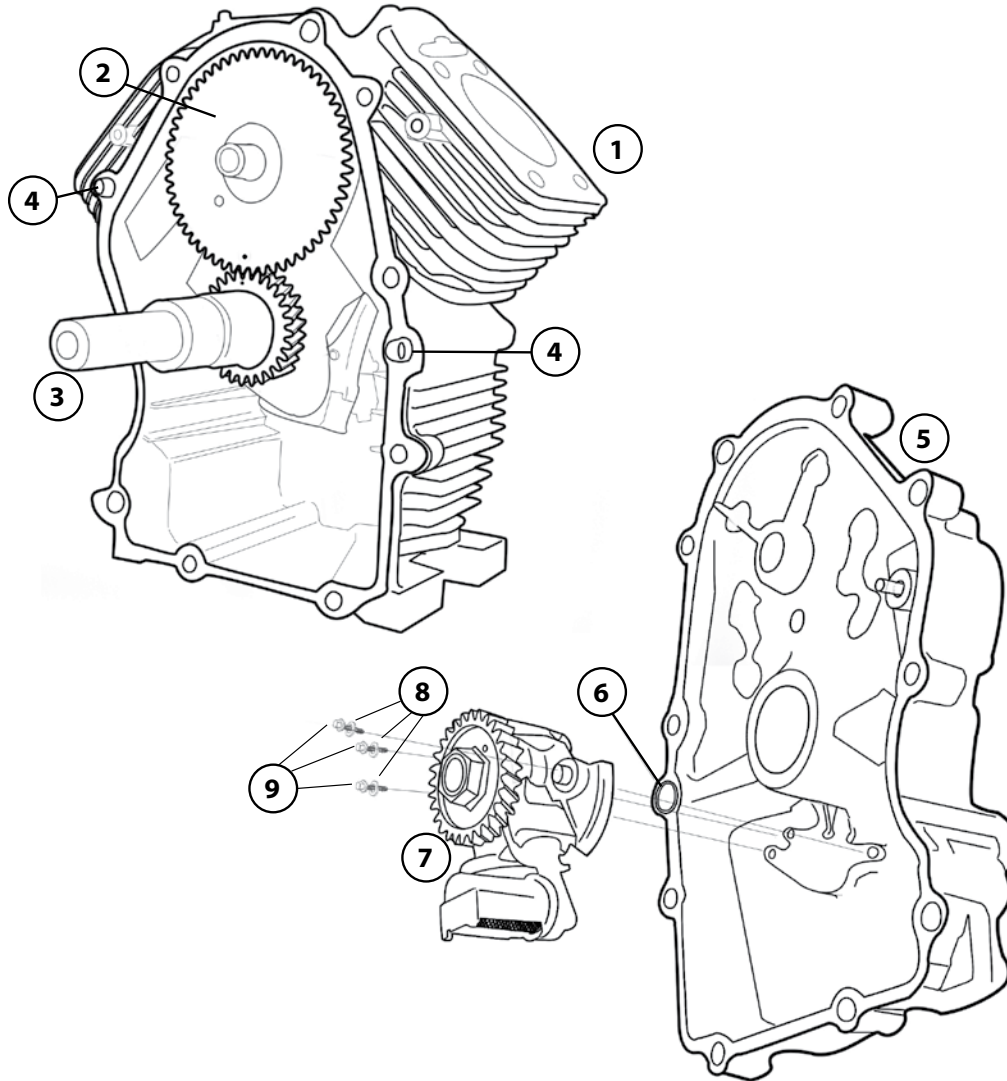


Engine Parts

Drawing #13362

Model	
D Sport	✓
W Classic	✓
G TT	✓
N Old School	✓
H Chopper	✓

ENGINE BLOCK



Engine Block

Ridley Motorcycle Company		
Part Description	Qty.	Part No.
1.) Engine Block	1	12682
2.) Camshaft	1	12613
3.) Crankshaft	1	13390
4.) Guide	2	11872
5.) Crank Case Cover	1	12184
6.) O-Ring	1	83389
7.) Oil Pump	1	13391
8.) Pump Washer	3	83387
9.) Pump Bolt	3	83386

TORQUES		
Part Description	Qty.	Torque
9.) Pump Bolt	3	65 in/lbs

Diagrams & Specs

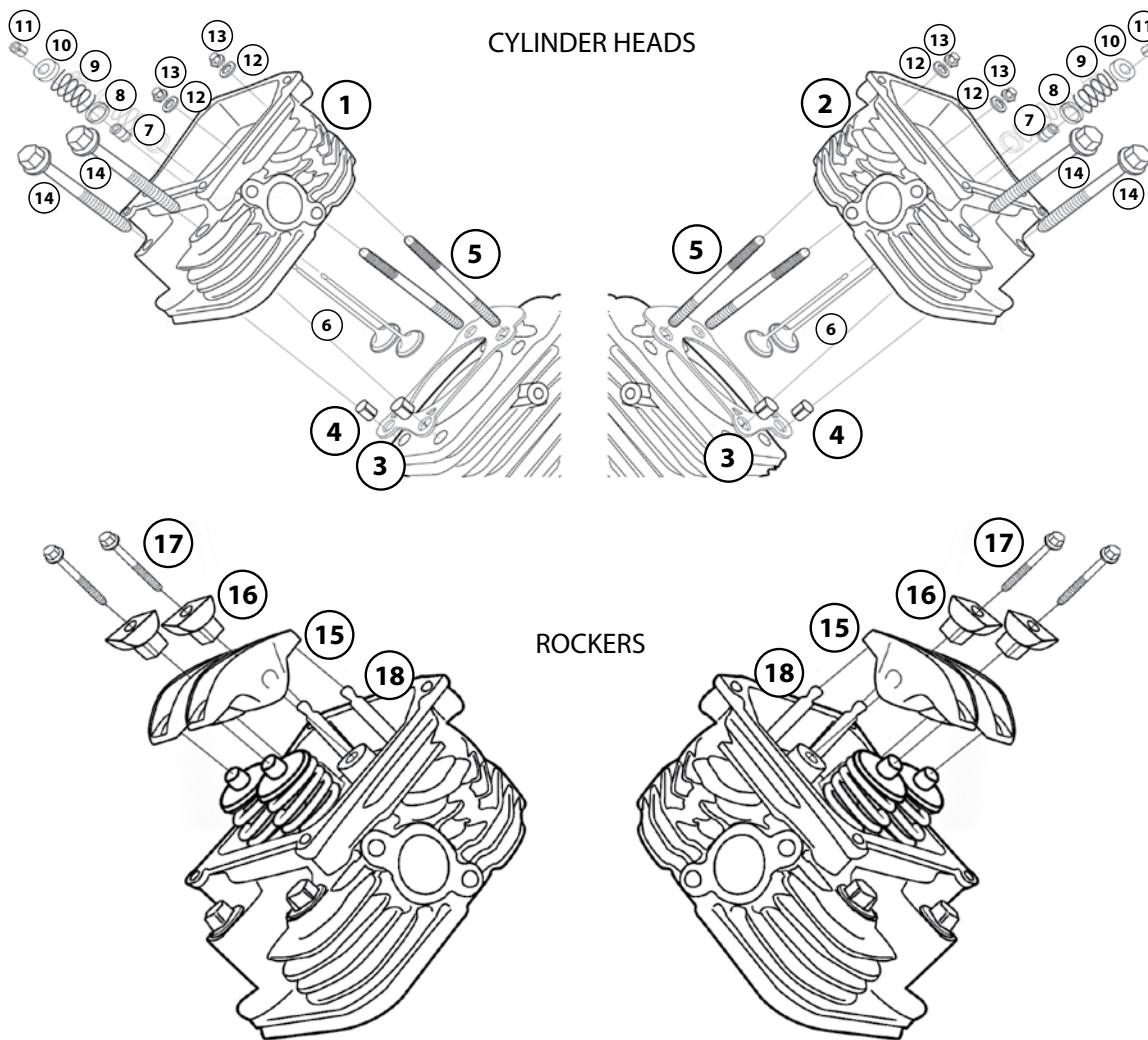
Models: AUTO-GLIDE (2006-UP)

A-23

Engine Parts

Drawing #13363

Model	
D Sport	✓
W Classic	✓
G TT	✓
N Old School	✓
H Chopper	✓



Cylinder Heads

Ridley Motorcycle Company		
Part Description	Qty.	Part No.
1.) Cylinder Head (#1 side)	1	12136
2.) Cylinder Head (#2 side)	1	12137
3.) Head Gasket	2	12183
4.) Dowel Pin	4	13397
5.) Grade 8 Studs	4	11799
6.) Valves	4	13398
7.) Valve Seal	2	13401
8.) Valve Spring Seat	4	13400
9.) Valve Spring	4	13399
10.) Valve Retainer	4	13402
11.) Valve Keeper (2 pieces)	2	13403
12.) Washer	4	83404
13.) Nut	4	11800
14.) Head Bolt	4	13027
15.) Rocker Arm	4	13405
16.) Rocker Pivot	4	13406
17.) Rocker Bolt	4	12827
18.) Push Rods	4	13407
19.) Valve Set*	1	12688

*The valve set comes with parts 6-11 and parts 15-18. The set builds up one cylinder head. Two sets will be needed if building cylinder head sides 1 and 2.

TORQUES		
Part Description	Qty.	Torque
13.) Nut	4	25 ft/lbs
14.) Head Bolt	4	25 ft/lbs
17.) Rocker Bolt	4	124 in/lbs

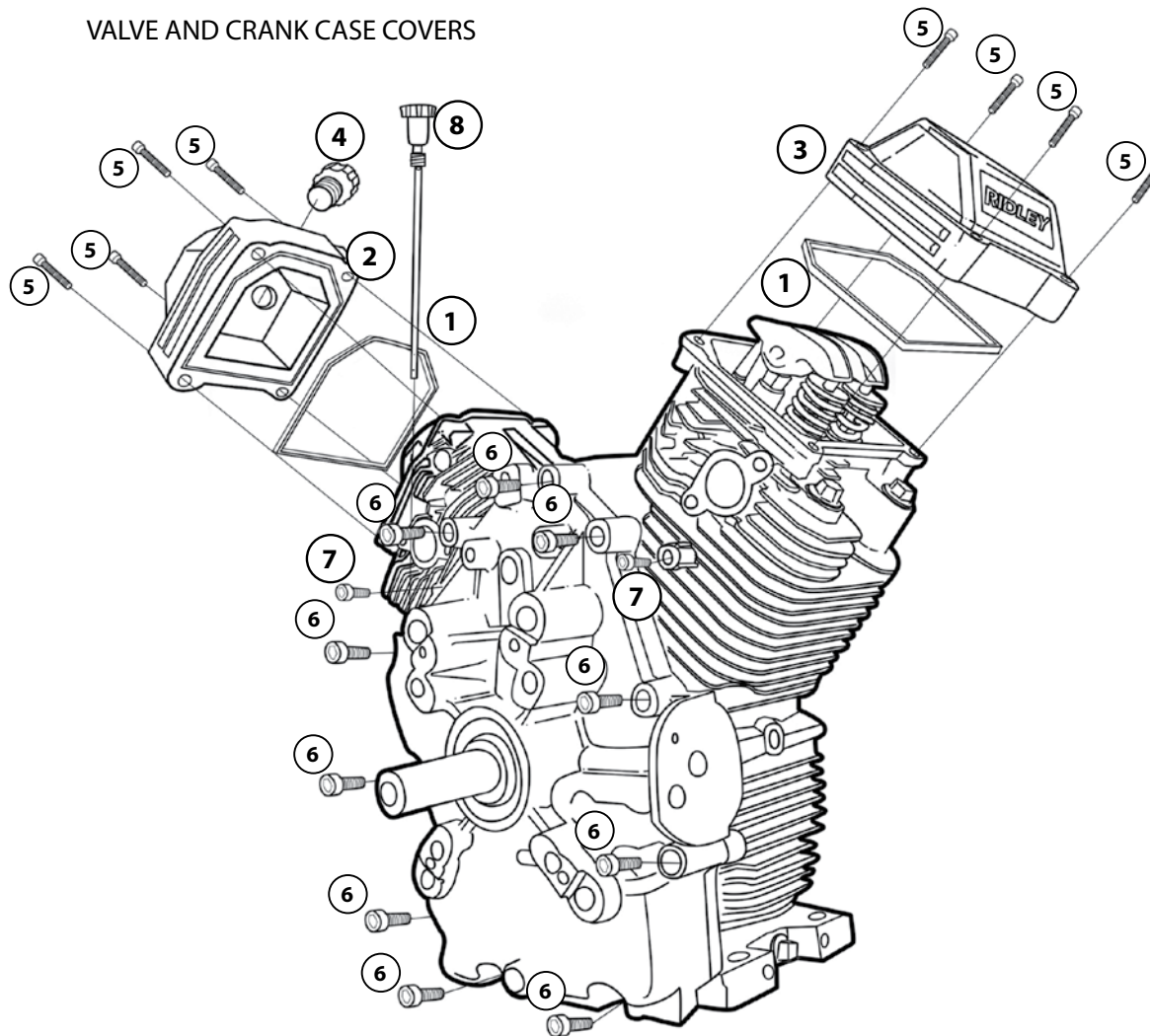


Engine Parts

Drawing #23361

Model	
D Sport	✓
W Classic	✓
G TT	✓
N Old School	✓
H Chopper	✓

VALVE AND CRANK CASE COVERS



Engine Block

Ridley Motorcycle Company		
Part Description	Qty.	Part No.
1.) Valve Cover Seal	2	13392
2.) Valve Cover (#1 side)*	1	11692
3.) Valve Cover (#2 side)*	1	11693
4.) Valve Oil Cap	1	11903
5.) Bolt 821	8	83382
6.) Bolt 917	10	83383
7.) Filler Bolt 997	2	83252
8.) Dipstick	1	12962

*Valve Covers for Chopper Model are different part #s as follows:

Valve Cover (#1 side)	13085
Valve Cover (#2 side)	13086

TORQUES

Part Description	Qty.	Torque
5.) Bolt 821	8	70 in/lbs
6.) Bolt 917	10	18 ft/lbs
7.) Filler Bolt 997	2	N/A

A-25

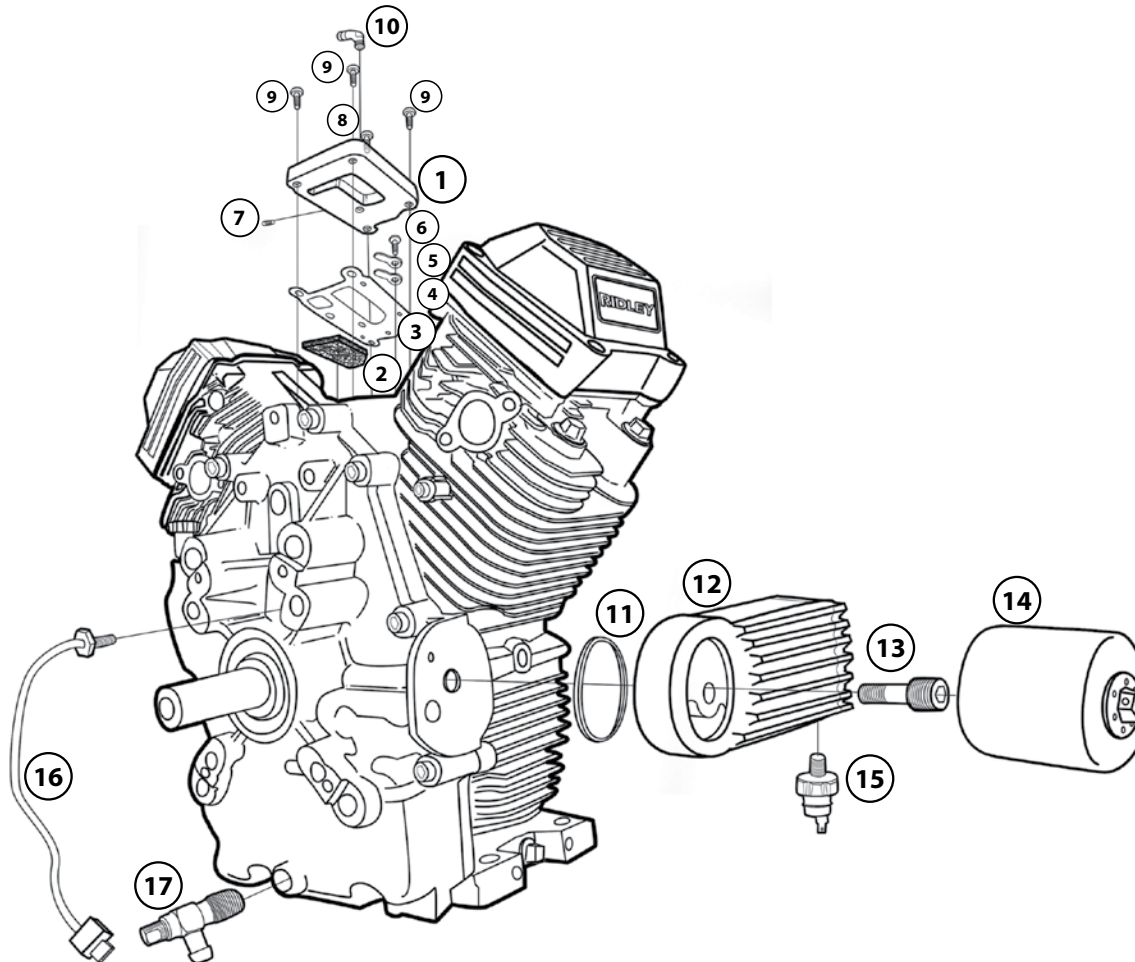


Engine Parts

Drawing #13371

Model	
D Sport	✓
W Classic	✓
G TT	✓
N Old School	✓
H Chopper	✓

ENGINE PARTS AND OIL SYSTEM



Engine Parts and Oil System

Ridley Motorcycle Company		
Part Description	Qty.	Part No.
1.) Breather Plate	1	12581
2.) Breather Filter	1	13370
3.) Gasket	1	12521
4.) Breather Reed Valve	1	12522
5.) Reed Valve Retainer	1	12816
6.) Reed Valve Bolt	1	83365
7.) Set Screw 950A	1	83366
8.) Bolt 799 B	1	83367
9.) Bolt 768	3	83368
10.) 90° Breather Fitting	1	12582
11.) O-Ring	1	83369
12.) Oil Cooler	1	13169
13.) Bolt "Kan Ban"	1	12824
14.) Oil Filter	1	11801
15.) Oil Pressure Switch	1	31661
16.) Tachometer Sensor	1	32893
17.) Oil Drain Valve	1	12181

TORQUES		
Part Description	Qty.	Torque
6.) Reed Valve Bolt	1	N/A
7.) Set Screw 950A	1	N/A
8.) Bolt 799 B	1	65 in/lbs
9.) Bolt 768	3	65 in/lbs
13.) Bolt "Kan Ban"	1	30 ft/lbs

Diagrams & Specs

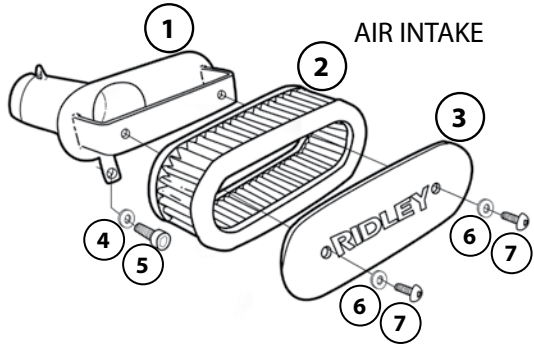
Models: AUTO-GLIDE (2006-UP)



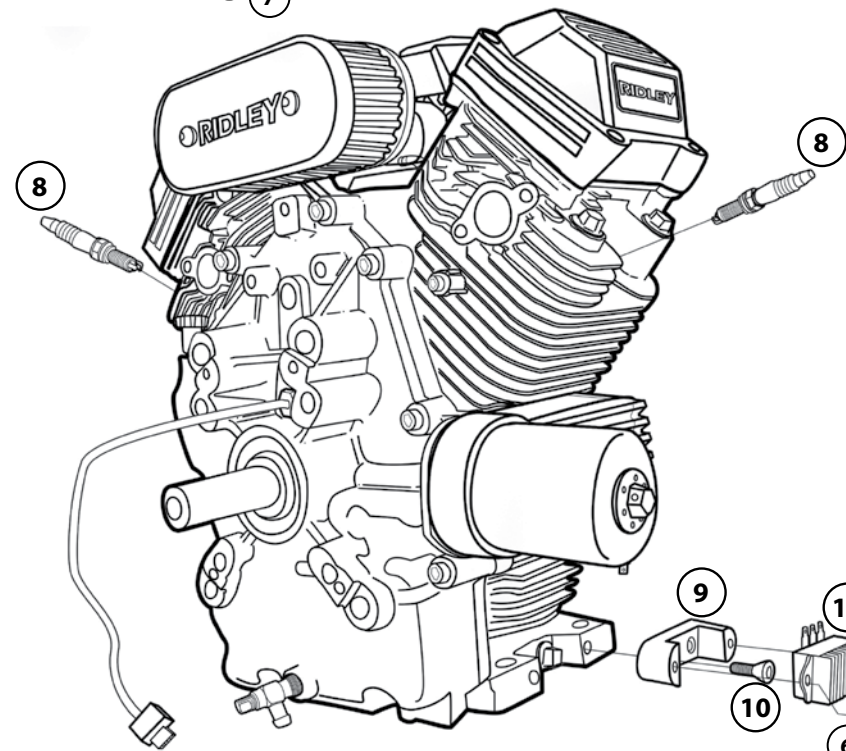
Engine Parts

Drawing #13381

Model	
D Sport	✓
W Classic	✓
G TT	✓
N Old School	✓
H Chopper	✓



AIR INTAKE



SPARK PLUGS AND REGULATOR

Engine Parts

Ridley Motorcycle Company		
Part Description	Qty.	Part No.
1.) Air Intake Tubing	1	11869
2.) Air Filter	1	11280
3.) Air Intake Face-Plate	1	12463
4.) Washer 010	1	83239
5.) Bolt 285	1	83240
6.) Washer 005	4	83242
7.) Bolt 305	4	83241
8.) Spark Plug	2	11814
9.) Regulator Bracket	1	31862
10.) Bolt 385	1	83380
11.) Regulator	1	32574

TORQUES		
Part Description	Qty.	Torque
5.) Bolt 285	1	10 ft/lbs
7.) Bolt 305	4	65 in/lbs
10.) Bolt 385	1	15 ft/lbs

A-26

A-27

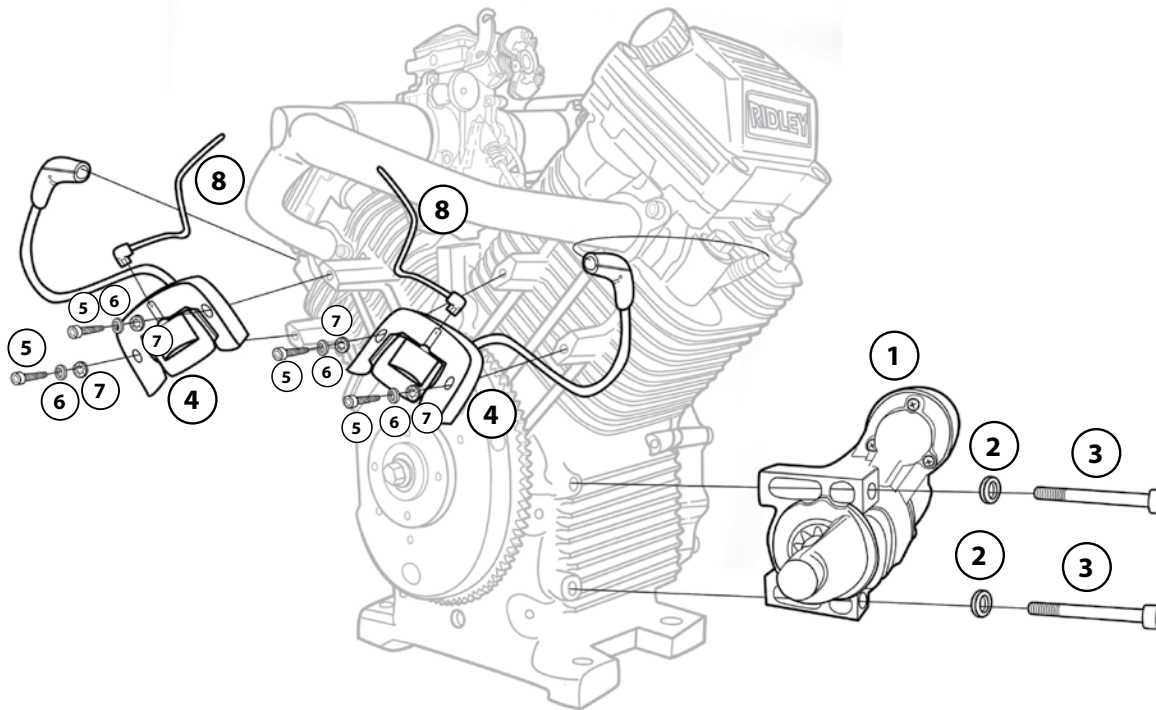


Engine Parts

Drawing #13375

Model	
D Sport	✓
W Classic	✓
G TT	✓
N Old School	✓
H Chopper	✓

ENGINE PARTS



Engine Parts

Ridley Motorcycle Company		
Part Description	Qty.	Part No.
1.) Starter	1	11968
2.) Washer 010	1	83239
3.) Bolt 918	1	83375
4.) Magneto/Coil	1	12366
5.) Bolt 829	4	83376
6.) Washer 020	4	83377
7.) Star Washer 833	4	83378
8.) Wiring	2	13379

TORQUES		
Part Description	Qty.	Torque
3.) Bolt 918	1	20 ft/lbs
5.) Bolt 829	4	50 in/lbs

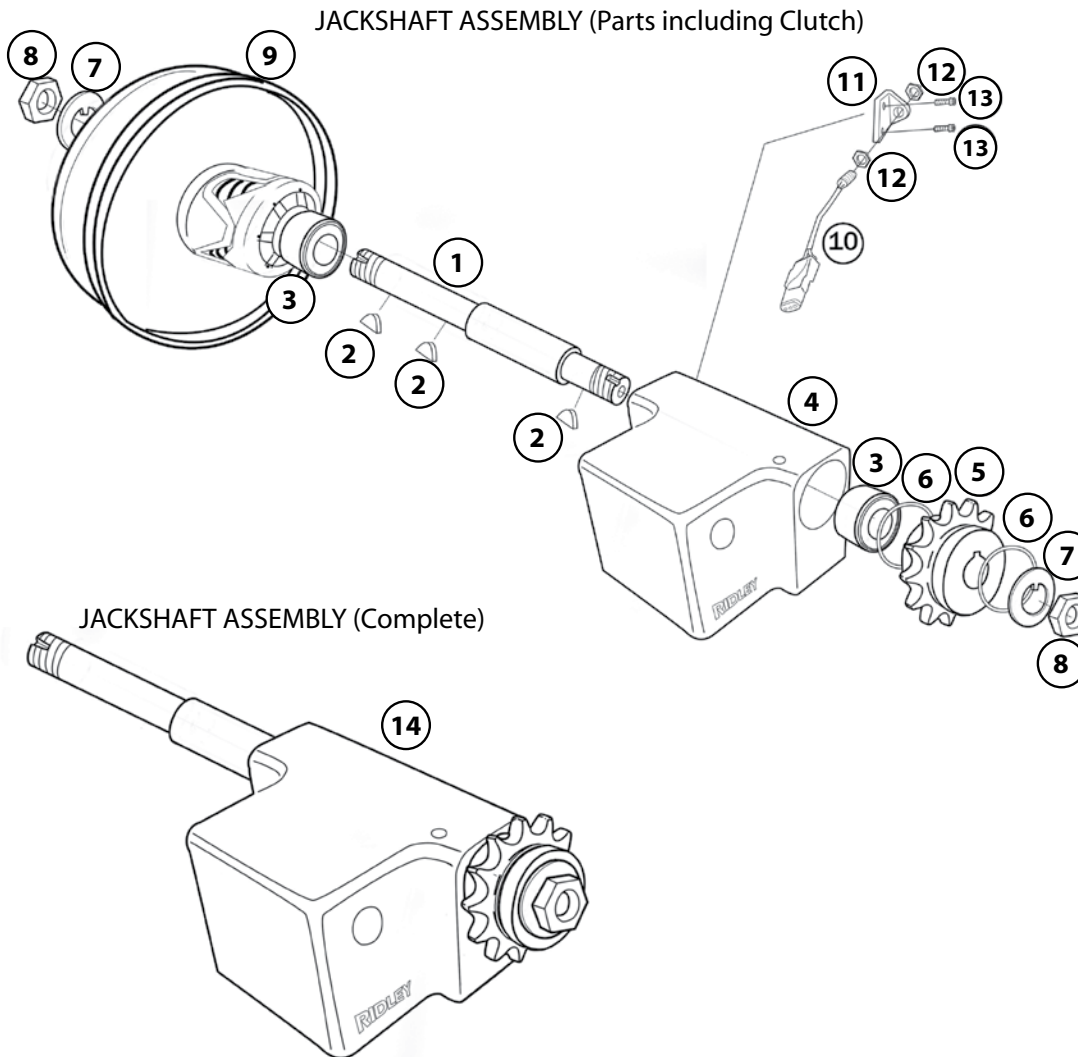


Jackshaft

Drawing #13394

A-28

Model	
D Sport	✓
W Classic	✓
G TT	✓
N Old School	✓
H Chopper	✓



Jackshaft

Ridley Motorcycle Company		
Part Description	Qty.	Part No.
1.) Jackshaft	1	12584
2.) Woodruff Keys	3	12443
3.) Jackshaft Bearing	2	11876
4.) Jackshaft Housing	1	12100
5.) Quiet Ride Sprocket	1	12468
6.) O-ring 974	1	83393
7.) Tab Washer	2	12580
8.) Nut 395	2	83254
9.) Type II Driven	1	11941
10.) Speedometer Sensor	1	32892
11.) Speedo Sensor Mount	1	32427
12.) Nut	2	83317
13.) Bolt 760	2	83276
14.) Jackshaft Assembly	1	12441

TORQUES		
Part Description	Qty.	Torque
8.) Nut 395	2	50 ft/lbs
13.) Bolt 760	2	N/A



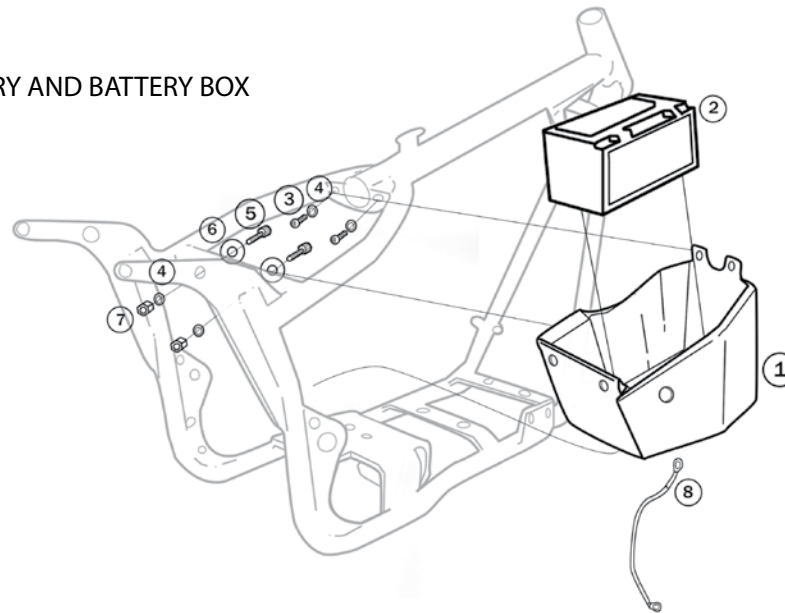
FRAME

A-29

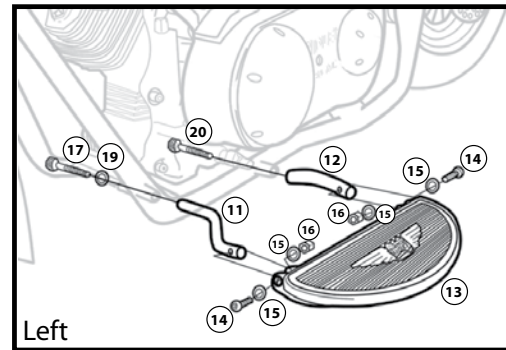
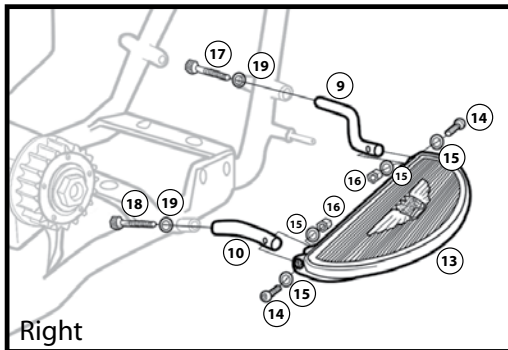
Drawing #23352

Model	
D Sport	✓
W Classic	✓
G TT	✓
N Old School	✓
H Chopper	

BATTERY AND BATTERY BOX



FLOOR BOARDS



Front End Assembly

Ridley Motorcycle Company		
Part Description	Qty.	Part No.
1.) Battery Box	1	22412
2.) Battery	1	32146
3.) Bolt 305	2	83241
4.) Washer 005	4	83242
5.) Bolt 781	2	83243
6.) Washer 040	2	83244
7.) Nut 390	2	83245
8.) Ground Cable	1	33248
9.) Rt Front Bracket	1	22989
10.) Rt Rear Bracket	1	22987
11.) Lt Front Bracket	1	22990
12.) Lt Rear Bracket	1	22988
13.) Floor Board	1	23319
14.) Bolt 240	4	83294
15.) Washer 005	8	83242
16.) Nut 085	4	83268
17.) Bolt 780**	2	83319
18.) Bolt 910	1	83255
19.) Washer 015	3	83236
20.) Bolt 905	1	83320
21.) Alt. Bolt 988**	2	83321

**Use alternate Bolt 988, part # 83321, if motorcycle has road bars installed.

Diagrams & Specs

Models: AUTO-GLIDE (2006-UP)

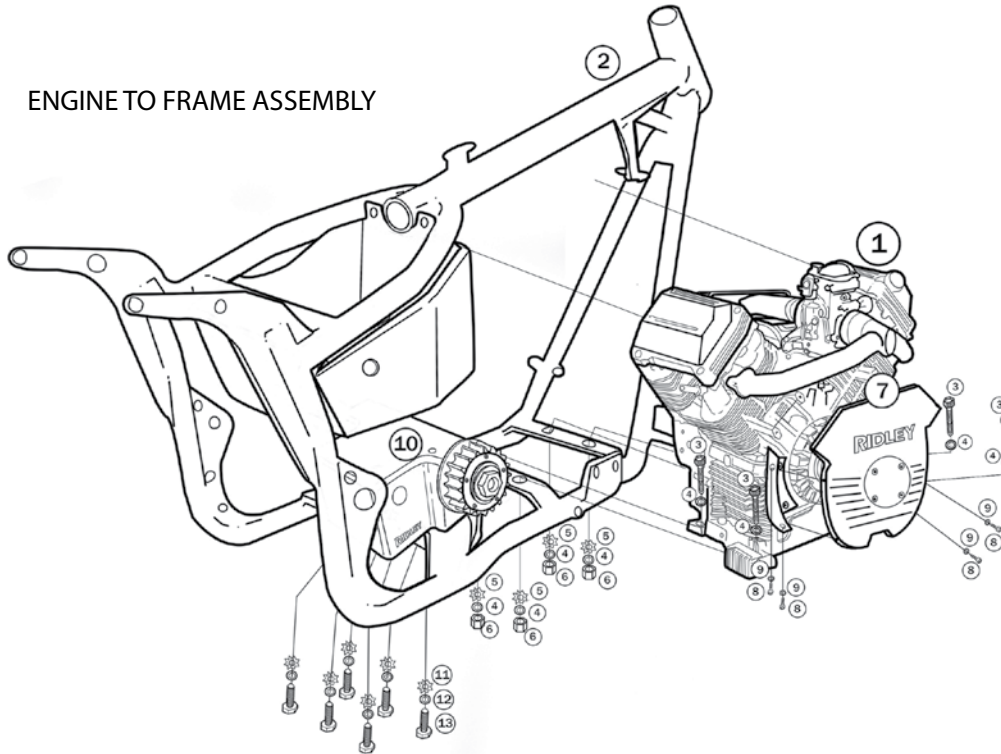
A-30

FRAME

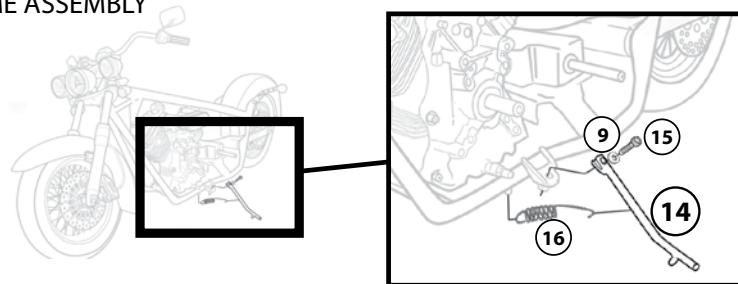
Drawing #23353

Model	
D Sport	✓
W Classic	✓
G TT	✓
N Old School	✓
H Chopper	

ENGINE TO FRAME ASSEMBLY



KICKSTAND TO FRAME ASSEMBLY



Engine to Frame Assembly

Ridley Motorcycle Company		
Part Description	Qty.	Part No.
1.) Engine Assembly	1	N/A
2.) Frame	1	22411
3.) Bolt 940 A	4	83249
4.) Washer 015	8	83236
5.) Star Washer 590	4	83250
6.) Nut 725	4	83251
7.) Flywheel Cover	1	11757
8.) Bolt 997	4	83252
9.) Washer 005	5	83242
10.) Jackshaft Assembly	1	12441
11.) Star Washer 035	6	83246
12.) Washer 010	6	83239
13.) Bolt 740A	6	83247
14.) Kickstand	1	21103
15.) Bolt 225	1	83292
16.) Spring	1	21107

TORQUES		
Part Description	Qty.	Torque
3.) Bolt 940 A	4	30 ft/lbs
8.) Bolt 997	4	25 ft/lbs
13.) Bolt 740A	6	17 ft/lbs
15.) Bolt 225	1	76 in/lbs

Diagrams & Specs

Models: AUTO-GLIDE (2006-UP)

A-31

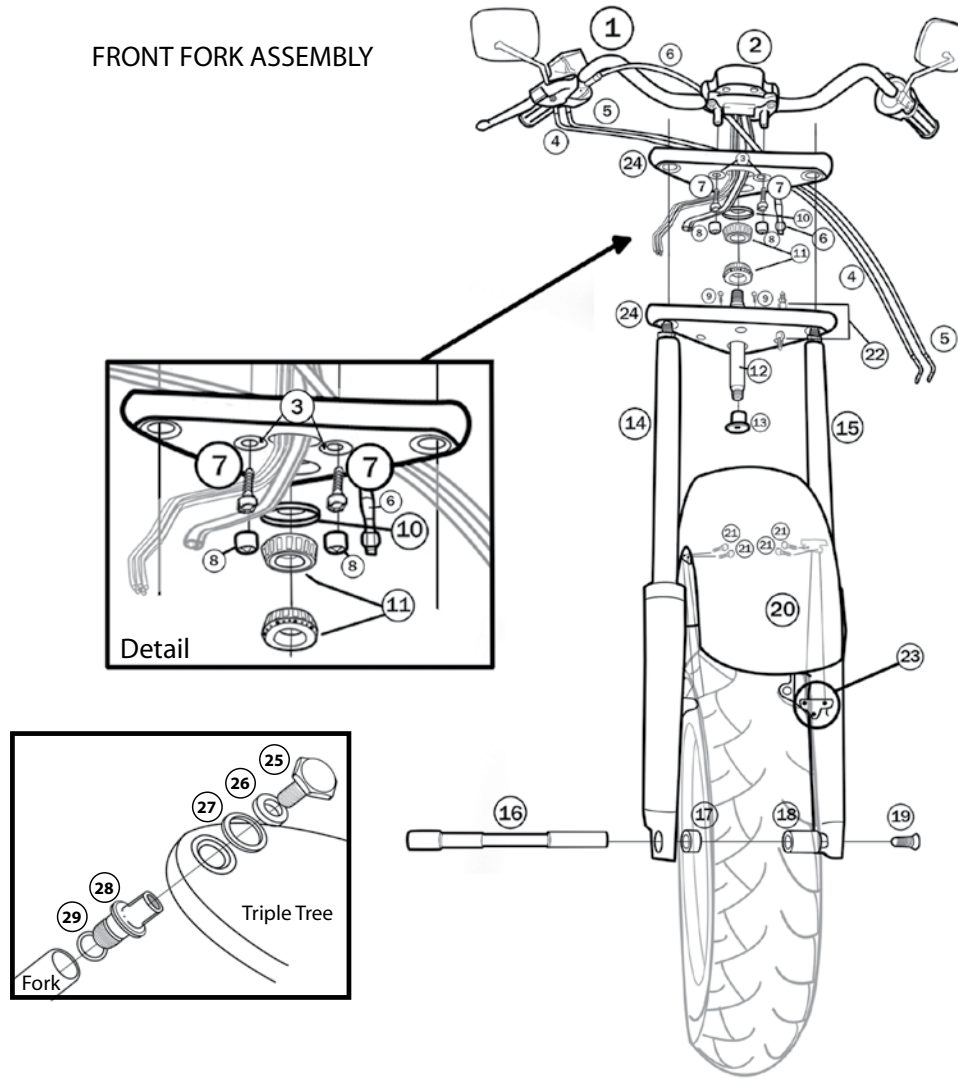


FRONT END

Drawing #73286

Model	
D Sport	✓
W Classic	✓
G TT	
N Old School	✓
H Chopper	

FRONT FORK ASSEMBLY



Front Fork Assembly*

Ridley Motorcycle Company		
Part Description	Qty.	Part No.
1.) Handlebars*	1	61845
2.) Speedometer	1	32834
3.) Bushing	2	61690
4.) Throttle Cable	1	11946
5.) Idle Cable	1	11951
6.) Brake Line	1	B3015
7.) Riser Bolt 165	2	83300
8.) Hot Topper	2	92439
9.) Fork Stop (Bolt 285)	2	83240
10.) Dust Shield	1	71837
11.) Bearing	2	21752
12.) Steering Spindle	1	73303
13.) Nut/Spindle	1	83302
14.) Fork/Right Side	1	73305
15.) Fork/Brake Side	1	73306
16.) Front Axle	1	41794
17.) Spacer	1	42180
18.) Spacer	1	42179
19.) Axle Bolt	1	83304
20.) Fender	1	51676
21.) Bolt 620	4	83265
22.) Fitting/Brake	2	B1179
23.) Bracket/ Fender Mount	2	51949
24.) Triple Tree (Set)	1	72070
25.) Fork Nut	2	
26.) Fork Seal	2	
27.) Fork Washer/Cover	2	
28.) Fork Mount	2	
29.) Fork Mount O-Ring	2	

Diagrams & Specs

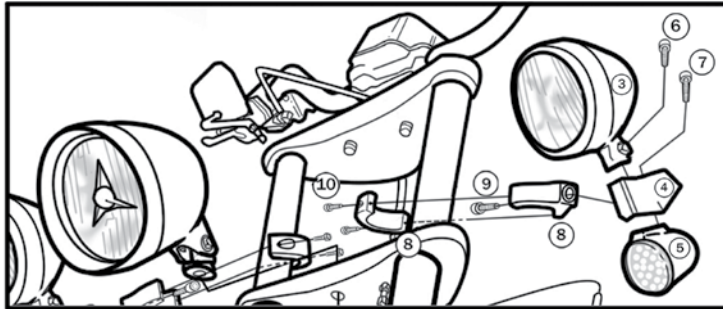
Models: AUTO-GLIDE (2006-UP)



FRONT END

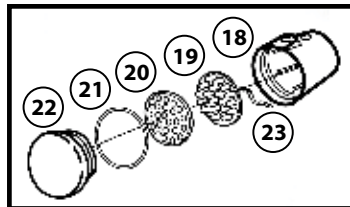
Drawing #73351

Model	
D Sport	✓
W Classic	✓
G TT	✓
N Old School	✓
H Chopper	



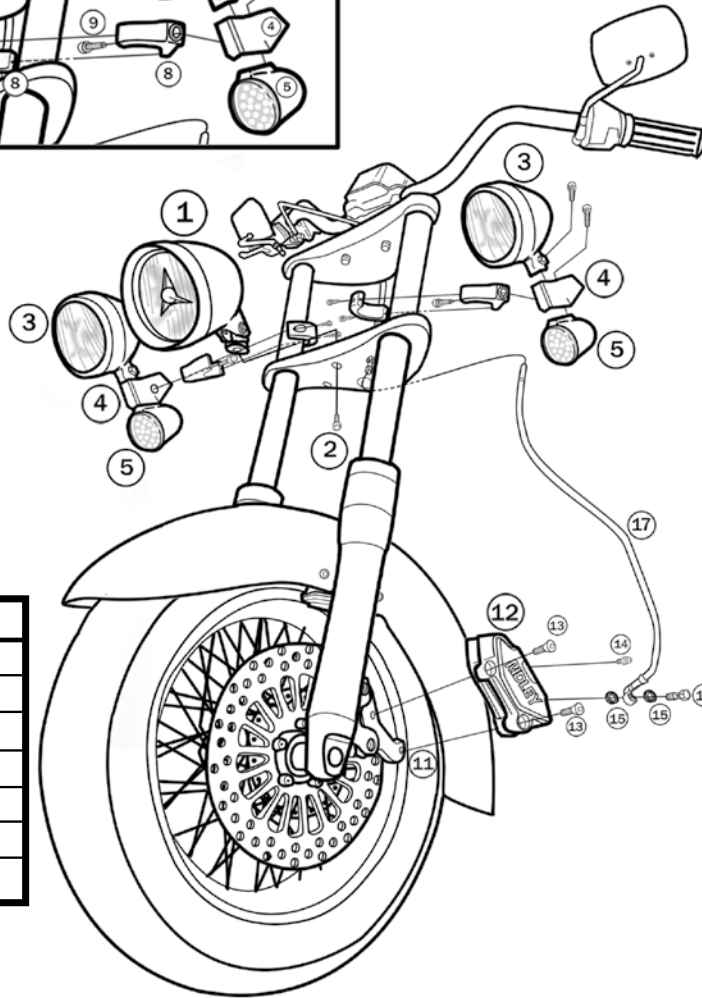
FRONT END ASSEMBLY

TURN SIGNAL ASSEMBLY



Turn Signal Assembly

Ridley Motorcycle Company		
Part Description	Qty.	Part No.
18.) Turn Signal Housing	1	33433
19.) Amber LED Board	1	33427
20.) Colored Lens (Amber)	1	33432
21.) O-Ring	1	33439
22.) Turn Signal Cover	1	33437
23.) Wiring Lead/Pigtail	1	33436



Front End Assembly

Ridley Motorcycle Company		
Part Description	Qty.	Part No.
1.) Headlight	1	31670
2.) Bolt 820	1	83270
3.) Driving Light	2	32571
4.) Driving Light Bracket set	1	32583
5.) Turn Signal	2	32189
6.) Bolt	2	83322
7.) Bolt 899	2	83264
8.) Turn Signal Mount	2	31753
9.) Bolt 215	2	83271
10.) Bolt 360	4	83272
11.) Brake Bracket	1	B1643
12.) Brake Caliper	1	B1642
13.) Bolt 800	2	83258
14.) Bleeder Screw	1	83323
15.) Washer	2	B1468
16.) Banjo Bolt	1	B1180
17.) Brake Line	1	B3016

*Driving Lights and brackets are optional parts as shown.

TORQUES		
Part Description	Qty.	Torque
2.) Bolt 820	1	23 ft/lbs
6.) Bolt	2	N/A
7.) Bolt 899	2	19 ft/lbs
9.) Bolt 215	2	19 ft/lbs
10.) Bolt 360	4	19.8 in/lbs
13.) Bolt 800	2	25 ft/lbs
16.) Banjo Bolt	1	N/A

Diagrams & Specs

Models: AUTO-GLIDE (2006-UP)

A-33

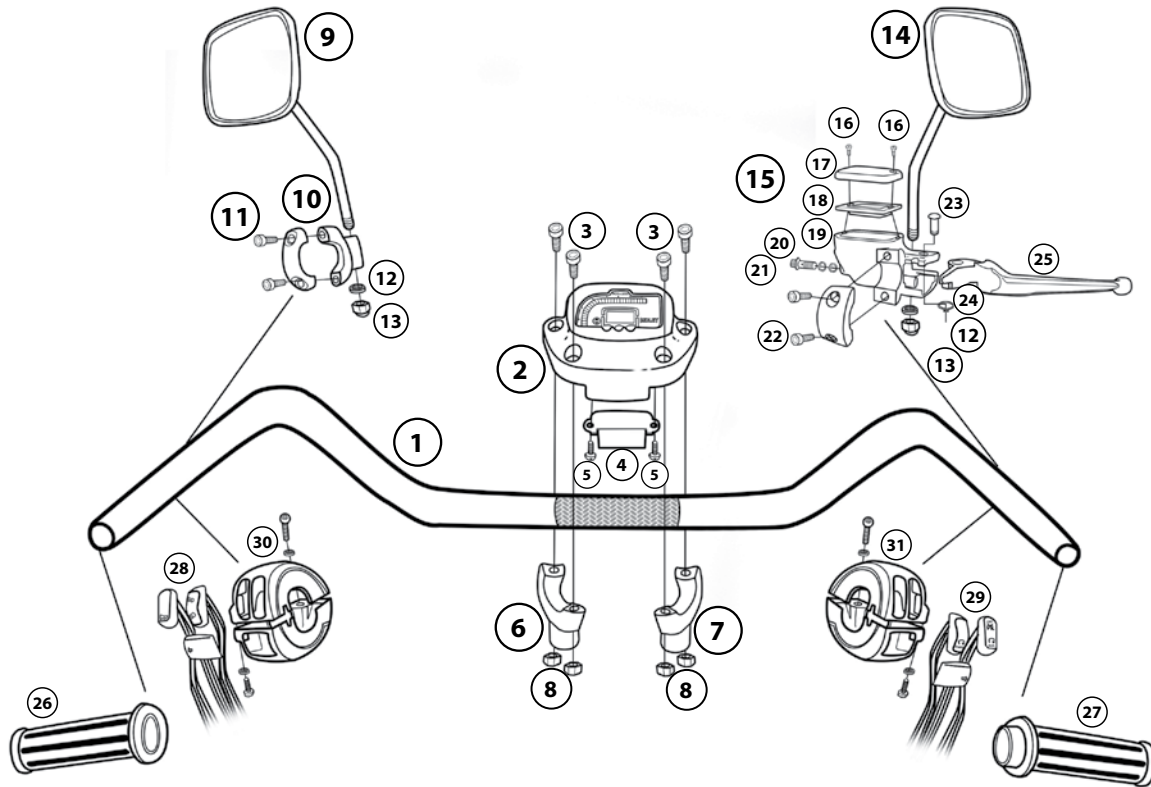


Handlebars

Drawing #63364

Model	
D Sport	✓
W Classic	✓
G TT	✓
N Old School	
H Chopper	

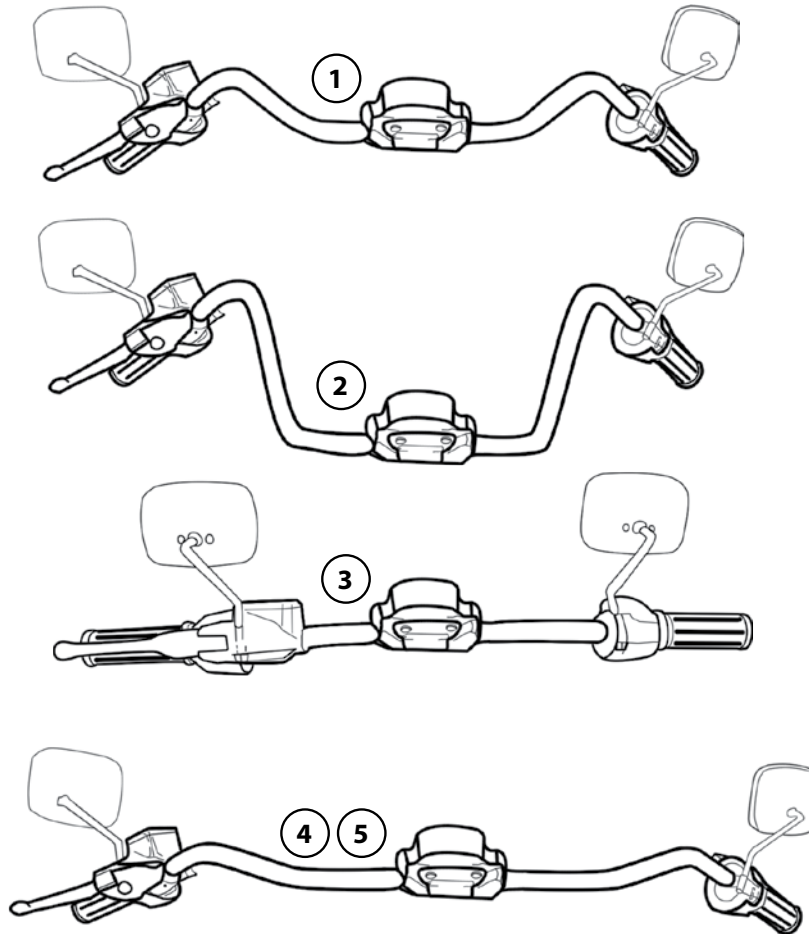
HANDLEBAR DETAIL



Handlebars

Ridley Motorcycle Company		
Part Description	Qty.	Part No.
1.) Auto-Glide Bars	1	61845
2.) Speedometer	1	32905
3.) Bolt 160	4	83408
4.) Speedo Back Plate	1	32905
5.) Bolt 755	2	
6.) Riser Set	1	61006
8.) Nut 100	4	83339
9.) Left Mirror	1	31638
10.) Left Mirror Bracket (set)	1	31175
11.) Bolt 155	2	83409
12.) Washer	2	83410
13.) Nut	2	83411
14.) Right Mirror	1	33162
15.) Master Cylinder Set	1	B2222
16.) Bolt	2	83412
17.) Mast. Cyl. Cover	1	B3413
18.) Mast. Cyl. Gasket/Seal	1	B3414
19.) Master Cylinder	1	B3415
20.) Mast. Cyl. Bolt	1	B1229
21.) Copper Washer	2	B1467
22.) Bolt	2	
23.) Brake Lever Pin	1	B2296
24.) E-Clip	1	B3416
25.) Brake Lever	1	B2295
26.) Left Grip	1	33417
27.) Right Grip	1	33418
28.) Left Switches (set)	1	33419
29.) Right Switches (set)	1	33420
30.) Lt Switch Housing (set)	1	33421
31.) Rt Switch Housing (set)	1	33422

HANDLEBAR OPTIONS



Handlebars

Ridley Motorcycle Company		
Part Description	Qty.	Part No.
1.) Auto-Glide Bars	1	61845
2.) Ape Hangers	1	61486
3.) Drag Bars	1	61509
4.) Beach Bars	1	61575
5.) Colored Beach Bars	1	62399

*Handlebars shown with assembly of handles, front master cylinder, mirrors, etc. for demonstration of style. The Part No. shown here are for the handlebars only.



Diagrams & Specs

Models: AUTO-GLIDE (2006-UP)



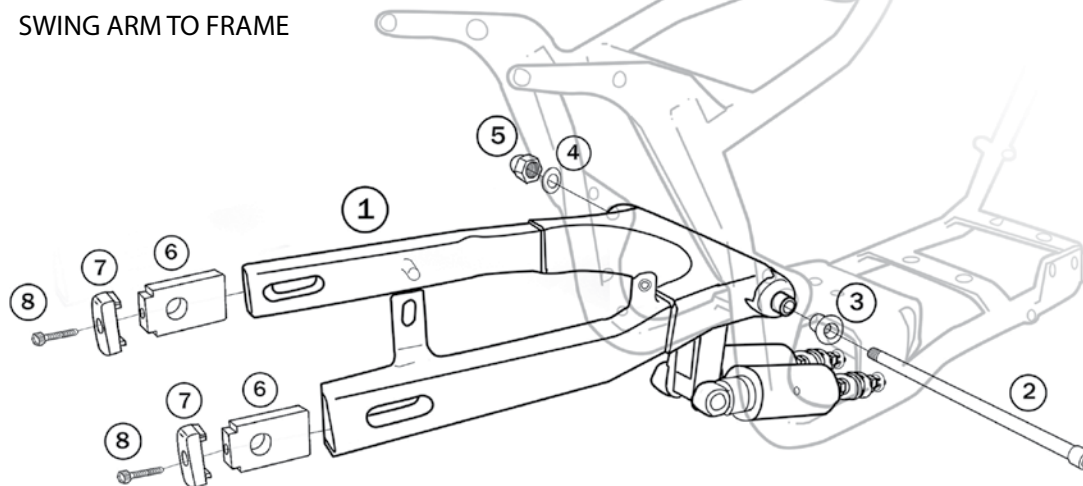
BACK END

A-35

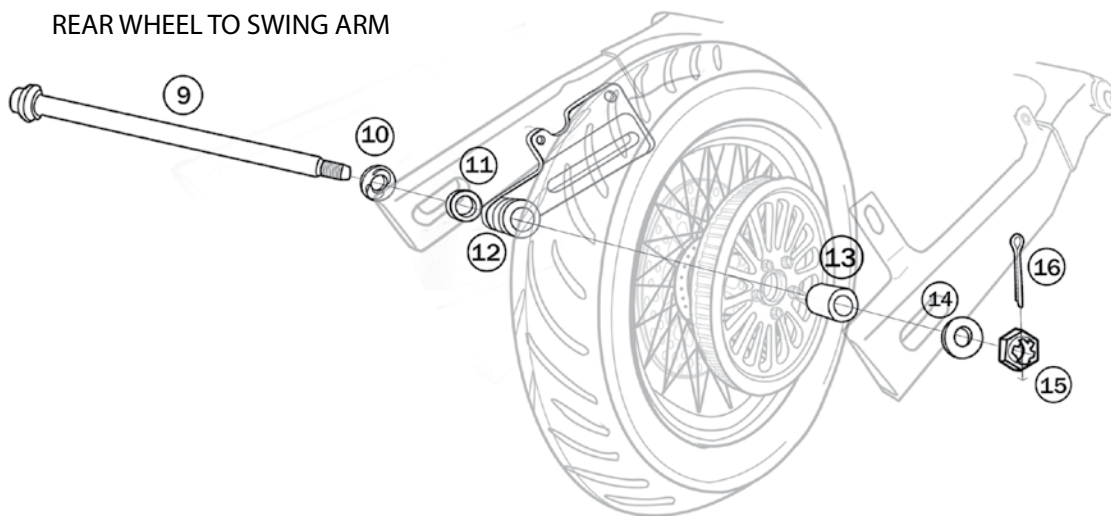
Drawing #23283

Model	
D Sport	✓
W Classic	✓
G TT	✓
N Old School	✓
H Chopper	

SWING ARM TO FRAME



REAR WHEEL TO SWING ARM



Swing Arm Assembly

Ridley Motorcycle Company		
Part Description	Qty.	Part No.
1.) Swing Arm	1	22776
2.) Swing Arm Bolt	1	21863
3.) Swing Arm Bushing	1	21791
4.) Washer 625	1	83273
5.) Acorn Nut 885	1	83274
6.) Axle Adjuster	2	41607
7.) Axle Adjuster Cap	2	51846
8.) Bolt 975	2	83275
9.) Axle (Set)	1	42769
10.) Washer (Thick)	1	42894
11.) Spacer	1	42889
12.) Brake Bracket	1	B2887
13.) Spacer	1	42888
14.) Washer (Thin)	1	42894
15.) Castellated Nut (Set)	1	42769
16.) Pin (Set)	1	42769

*Parts 9, 15 and 16 come in a set.

TORQUES		
Part Description	Qty.	Torque (ft/lbs)
5.) Acorn Nut 885	1	57 ft/lbs
8.) Bolt 975	2	N/A
15.) Castellated Nut	1	50 ft/lbs

Diagrams & Specs

Models: AUTO-GLIDE (2006-UP)

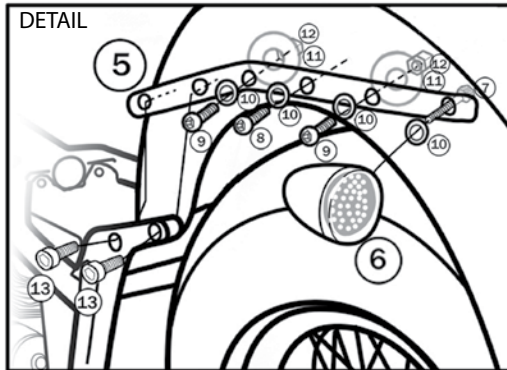


BACK END

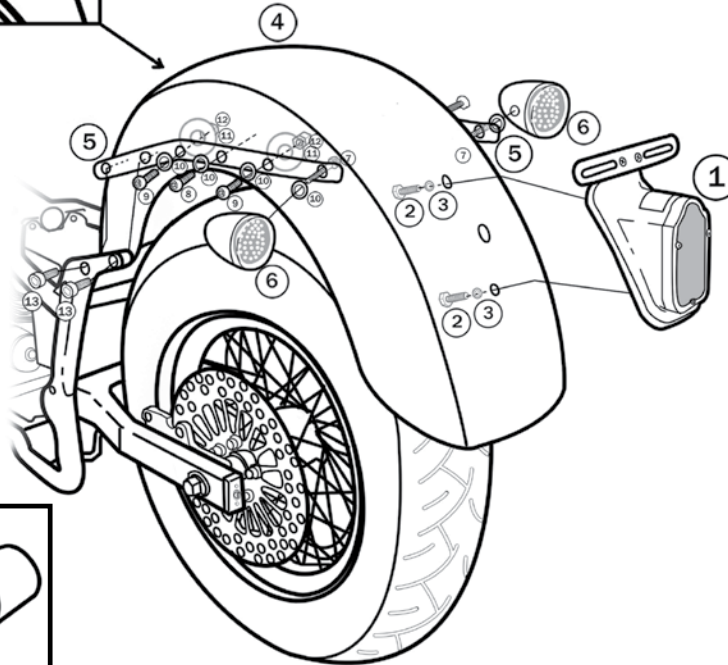
Drawing #53284

A-36

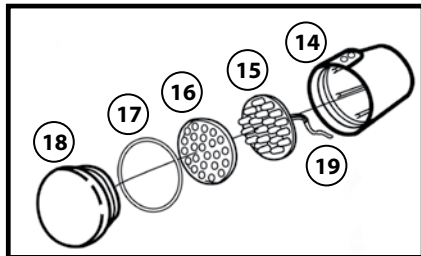
Model	
D Sport	✓
W Classic	✓
G TT	✓
N Old School	✓
H Chopper	



REAR FENDER ASSEMBLY



TURN SIGNAL ASSEMBLY



Rear Fender

Ridley Motorcycle Company		
Part Description	Qty.	Part No.
1.) Brake Light	1	31078
2.) Bolt 265	2	83262
3.) Washer 766	2	83263
4.) Rear Fender	1	51675
5.) Fender Strut	2	52164
6.) Turn Signal	2	32190
7.) Bolt 899	2	83264
8.) Bolt 620	2	83265
9.) Bolt 610	4	83266
10.) Washer 010	8	83239
11.) Washer 045	4	83267
12.) Nut 085	4	83268
13.) Bolt 845	4	83269
14.) Signal/Brake Housing	1	33434
15.) Red LED Board	1	33426
16.) Colored Lens (Red)	1	33435
17.) O-Ring	1	33439
18.) Signal/Brake Cover	1	33437
19.) Wiring Lead/Pigtail	1	33436

TORQUES		
Part Description	Qty.	Torque
2.) Bolt 265	2	8 ft/lbs
7.) Bolt 899	2	14 ft/lbs
8.) Bolt 620	2	23 ft/lbs
9.) Bolt 610	4	23 ft/lbs
13.) Bolt 845	4	57 ft/lbs

Diagrams & Specs

Models: AUTO-GLIDE (2006-UP)

A-37

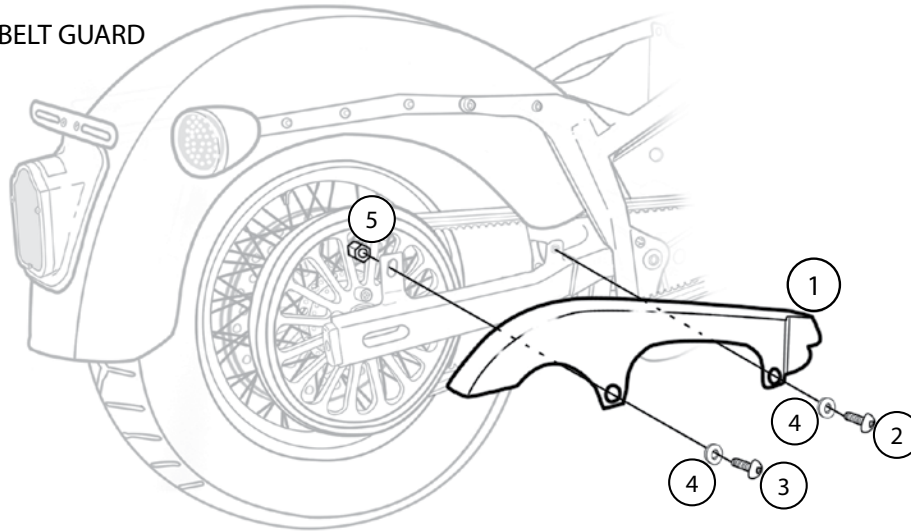
BACK END



Drawing #B3205

Model	
D Sport	✓
W Classic	✓
G TT	✓
N Old School	✓
H Chopper	

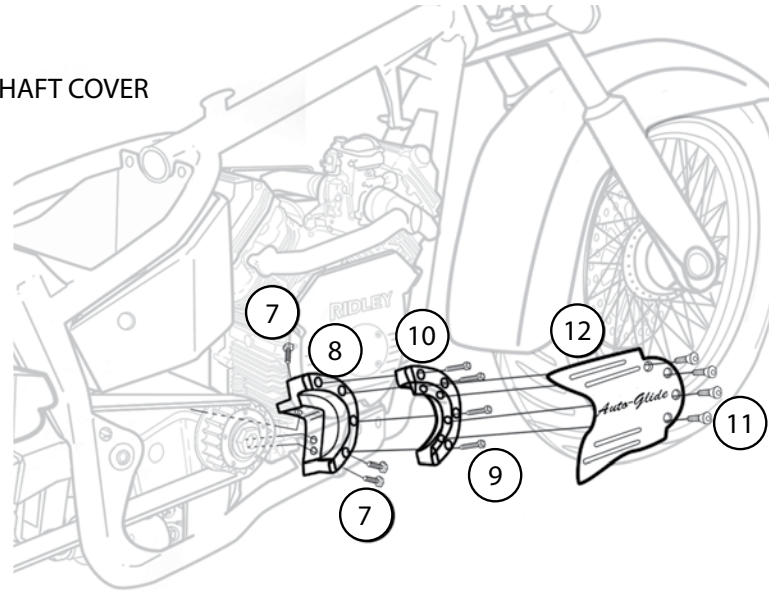
CHAIN/BELT GUARD



Rear Chain/Belt Guard

Ridley Motorcycle Company		
Part Description	Qty.	Part No.
1.) Chain/Belt Guard	1	12838
2.) Bolt 992	1	83259
3.) Bolt 778	1	83260
4.) Washer 015	2	83236
5.) Nut 782	1	83261
6.) Complete Assembly	1	N/A

JACKSHAFT COVER



Jackshaft Cover

Ridley Motorcycle Company		
Part Description	Qty.	Part No.
7.) Bolt 616	3	83291
8.) Jackshaft Cover Inner	1	12765
9.) Bolt 225	4	83292
10.) Jackshaft Cover Outer	1	12766
11.) Bolt 745	4	83293
12.) Jackshaft Cover Flat	1	12767
13.) Complete Assembly	1	N/A

TORQUES		
Part Description	Qty.	Torque
2.) Bolt 992	1	26 ft/lbs
3.) Bolt 778	1	26 ft/lbs
7.) Bolt 616	3	76 in/lbs
9.) Bolt 225	4	76 in/lbs
11.) Bolt 745	4	76 in/lbs

A-38

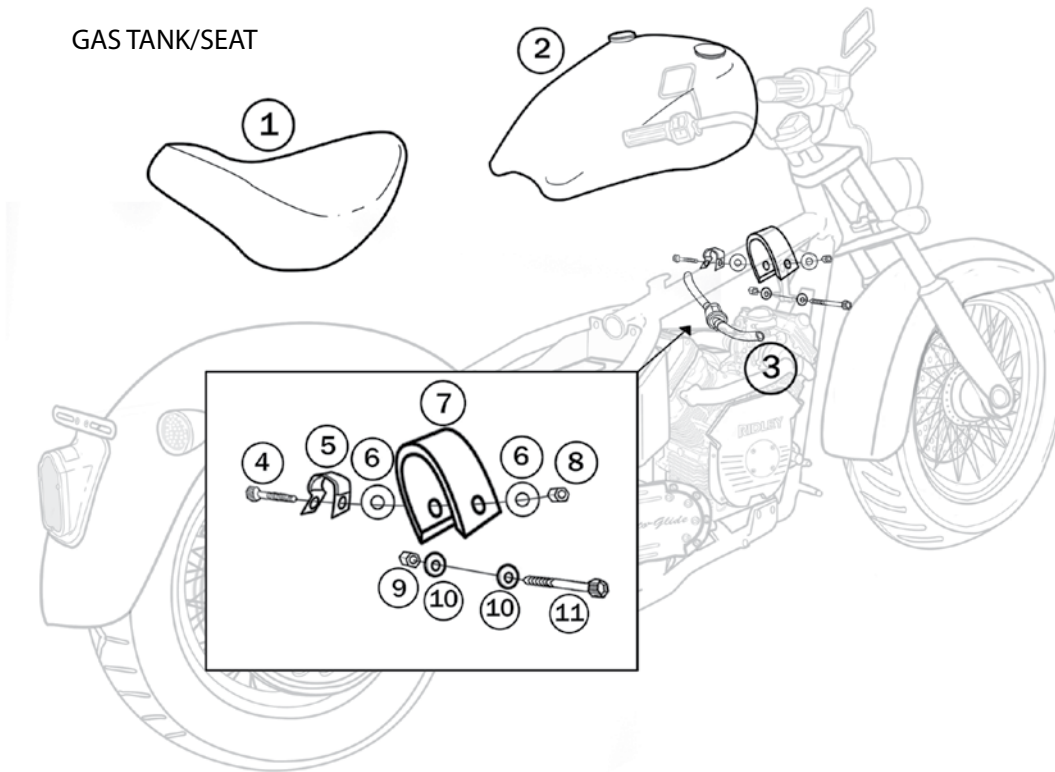


Gas Tank-Seat

Drawing #53348

Model	
D Sport	✓
W Classic	✓
G TT	✓
N Old School	✓
H Chopper	

GAS TANK/SEAT



Gas Tank/Seat

Ridley Motorcycle Company			
Part Description	Qty.	Part No.	
1.) Seat See Pg. 63347	1	N/A	
2.) Gas Tank (4.2 gallon)*	1	51961	
3.) Fuel Filter	1	13333	
4.) Bolt 240	1	83294	
5.) Clamp 813	1	83296	
6.) Washer 040	2	83244	
7.) Tank Strap	1	53299	
8.) Nut 85	1	83268	
9.) Nut 805	1	83297	
10.) Powder Coated Washer	2	53008	
11.) Bolt 825	1	83295	

*Also see Page 53289

TORQUES		
Part Description	Qty.	Torque
4.) Bolt 240	1	N/A
11.) Bolt 825	1	30 ft/lbs

Diagrams & Specs

Models: AUTO-GLIDE (2006-UP)

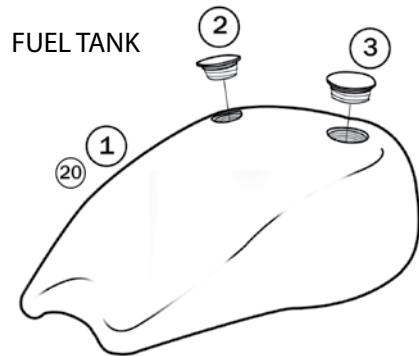


FUEL TANK

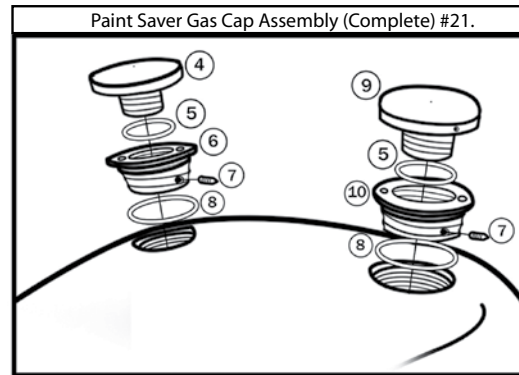
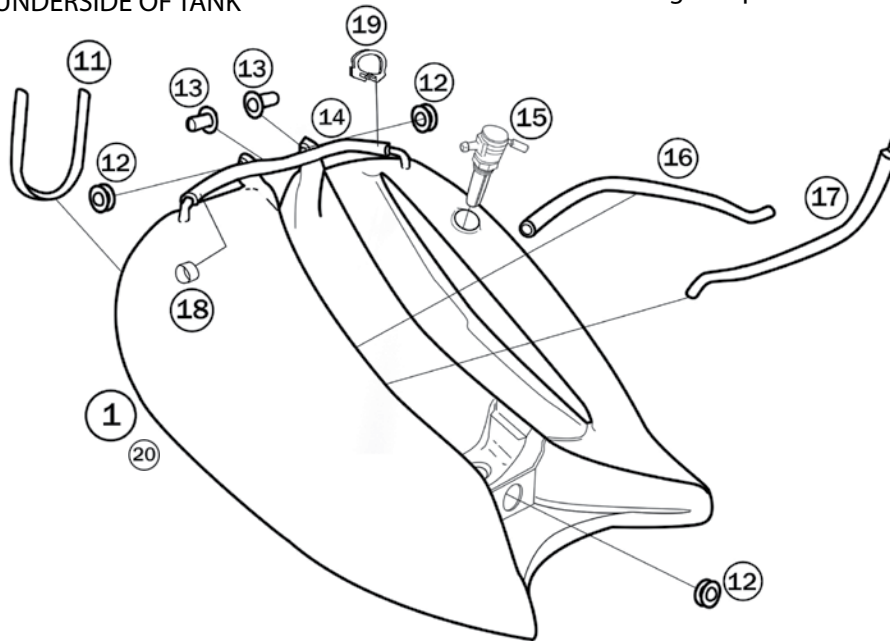
Drawing #53289

Model	
D Sport	✓
W Classic	✓
G TT	✓
N Old School	
H Chopper	

A-39



UNDERSIDE OF TANK



***OPTIONAL PAINT-SAVER FUEL CAPS**
 Note: These use different gas caps than the standard issue gas caps.

Fuel Tank

Ridley Motorcycle Company		
Part Description	Qty.	Part No.
1.) Fuel Tank (4.2 gallons)	1	51961
2.) Left Gas Cap	1	51925
3.) Right Gas Cap (vented)	1	52639
4.) Left Gas Cap	1	53065
5.) O-Ring 2	2	83324
6.) Left Paint Saver Base	1	52999
7.) Set Screw 3	2	83326
8.) O-Ring 1	2	83325
9.) Right Gas Cap (vented)	1	53001
10.) Right Paint Saver Base	1	53000
11.) Tunnel Trim	1	53290
12.) Grommet	3	51806
13.) Bushing	2	51742
14.) Hose Cross Over	1	11880
15.) Fuel Valve	1	51508
16.) Vent Tube	1	52626
17.) Vent Tube	1	52627
18.) Clamp	1	11878
19.) Herbie Clamp	1	13804
20.) Opt. Tank (5 gallons)	1	51626
21.) Gas Cap Set (2 caps)	1	53196
22.) Paint Saver Install Tool	1	T3194

*#22 Not Shown to left.

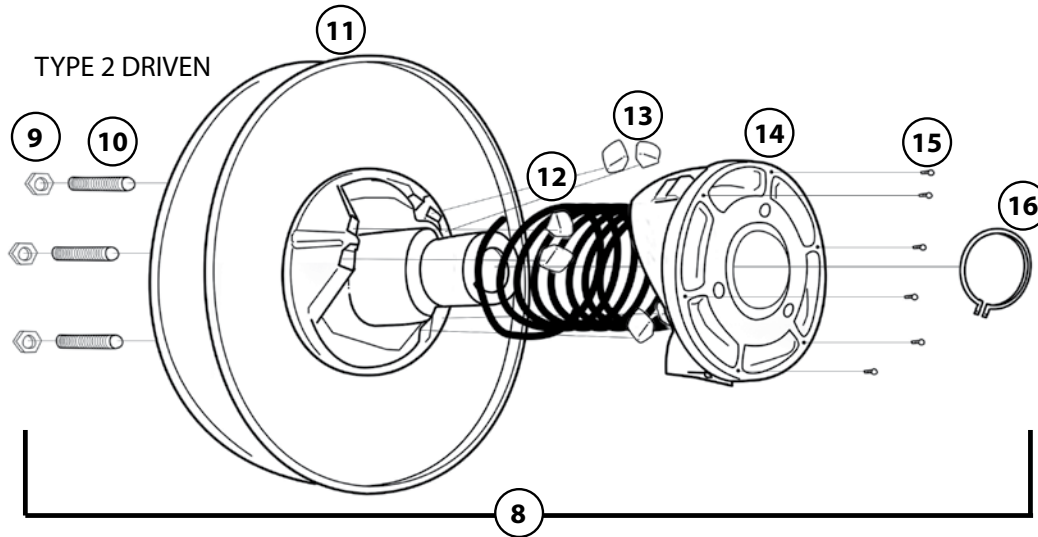
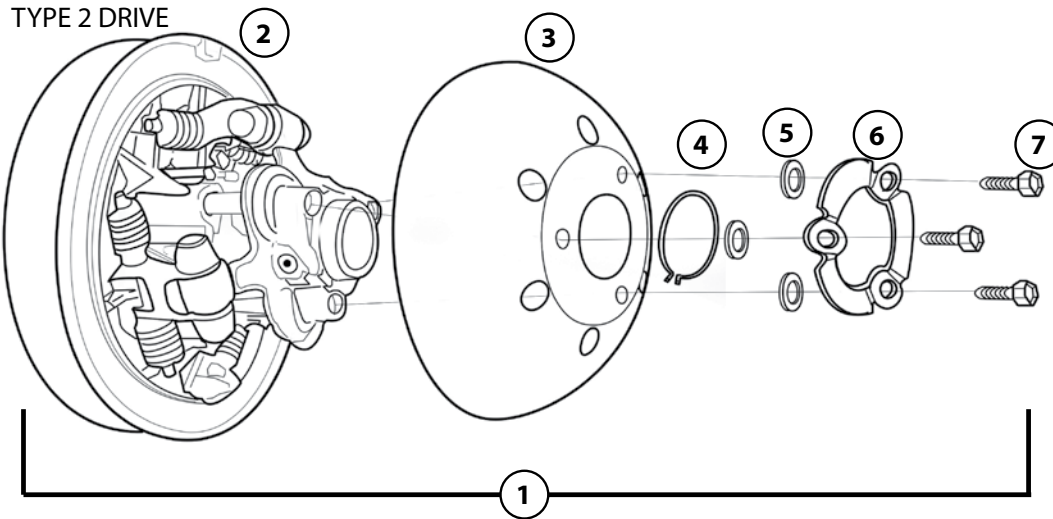


Transmission

Drawing #13350

Model	
D Sport	✓
W Classic	✓
G TT	✓
N Old School	✓
H Chopper	✓

A-41



Transmission

Ridley Motorcycle Company		
Part Description	Qty.	Part No.
1.) Clutch Assembly	1	11940
2.) Clutch	1	N/A
3.) Ramp Plate	1	12530
4.) Snap Ring	1	13307
5.) Washer/Spacer	3	83308
6.) Lock Ring	1	13309
7.) Bolt	3	83310
8.) Clutch Assembly	1	11941
9.) Nut 819	3	83334
10.) Bolt/ Set Screw 818	3	83335
11.) Clutch	1	N/A
12.) Spring	1	N/A
13.) Cam Button (3)	1	12610
14.) Helix	1	N/A
15.) Rivet-Drive	6	N/A
16.) Snap Ring	1	83336

TORQUES		
Part Description	Qty.	Torque
7.) Bolt	3	
10.) Bolt/ Set Screw 818	3	

A-42

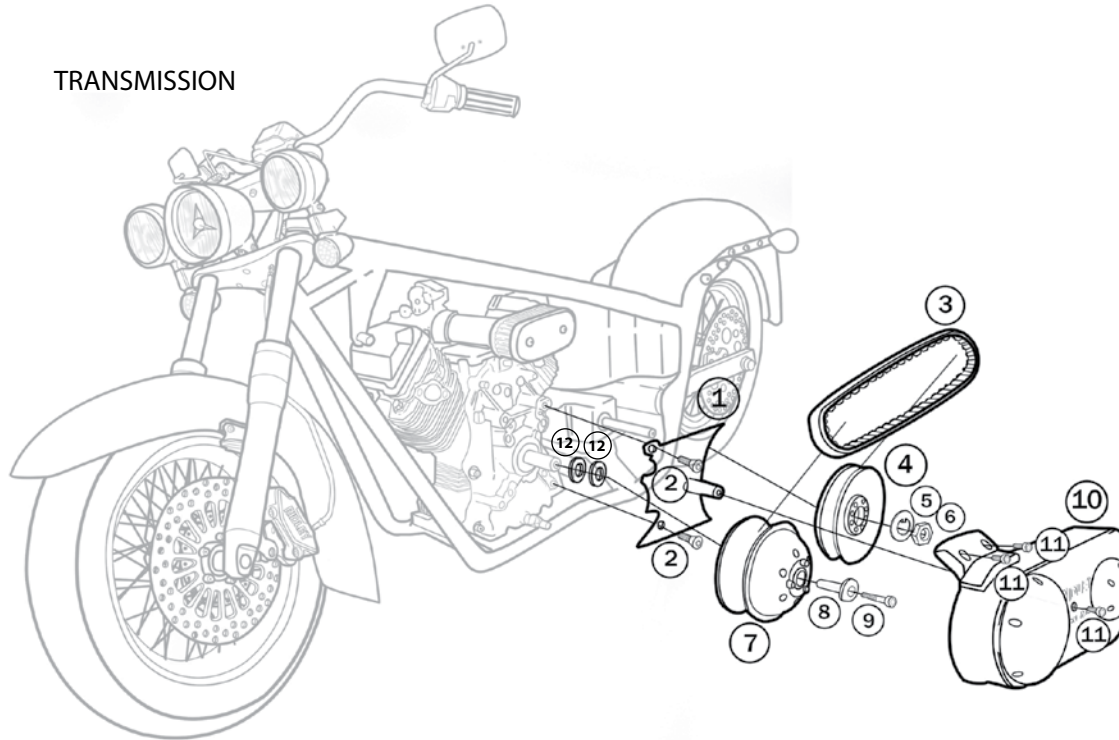


Transmission

Drawing #13349

Model	
D Sport	✓
W Classic	✓
G TT	✓
N Old School	✓
H Chopper	✓

TRANSMISSION



Transmission

Ridley Motorcycle Company		
Part Description	Qty.	Part No.
1.) Cover Mount	1	12702
2.) Bolt 972	2	83253
3.) Transmission Belt	1	12447
4.) Driven	1	11941
5.) Tabbed Washer	1	12580
6.) Nut 395	1	83254
7.) Drive	1	11940
8.) Drive Bushing	1	12095
9.) Bolt 910	1	83255
10.) Transmission Cover	1	12701
11.) Bolt 831	3	83256
12.) Washer 065	2	83308

Note: If the model is a pre-2006 production model and does not have a cover mount/backing plate, then part number 12 (Washer 065) will only have a qty. of 1.

TORQUES		
Part Description	Qty.	Torque
2.) Bolt 972	2	95 in/lbs
6.) Nut 395	1	50 ft/lbs
9.) Bolt 910	1	30 ft/lbs
11.) Bolt 831	3	156 in/lbs

A-43

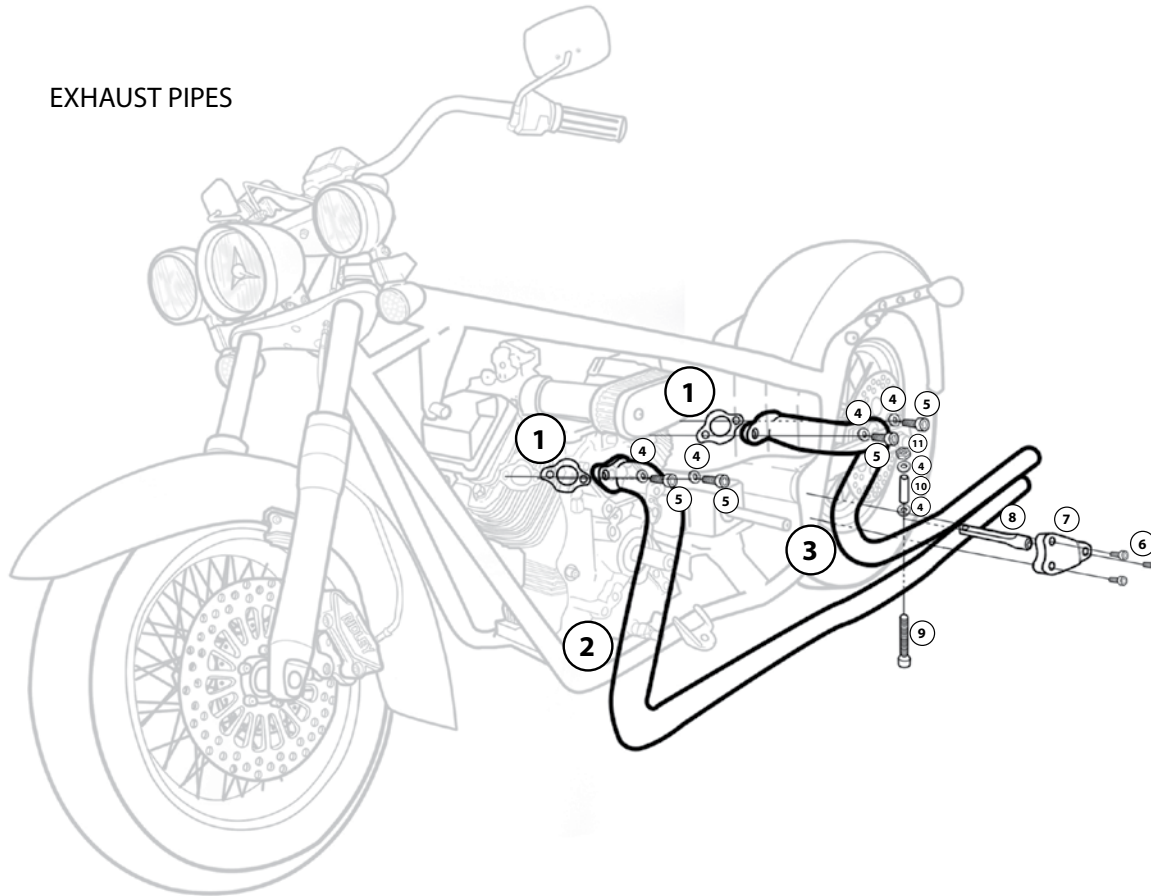


Exhaust Pipes

Drawing #13344

Model	
D Sport	✓
W Classic	✓
G TT	✓
N Old School	✓
H Chopper	

EXHAUST PIPES



Exhaust

Ridley Motorcycle Company		
Part Description	Qty.	Part No.
1.) Exhaust Gasket	2	11844
2.) Front Exhaust Pipe	1	12863
3.) Rear Exhaust Pipe	1	12862
4.) Washer 010	6	83239
5.) Bolt 884	4	83337
6.) Bolt 285	3	83240
7.) Exhaust Mount Bracket	1	22524
8.) Exhaust Mount	1	22553
9.) Bolt 824	1	83338
10.) Exhaust Mount Spacer	1	22554
11.) Nut 100	1	83339

TORQUES		
Part Description	Qty.	Torque
5.) Bolt 884	4	25 ft/lbs
6.) Bolt 285	3	25 ft/lbs
9.) Bolt 824	1	25 ft/lbs

A-44

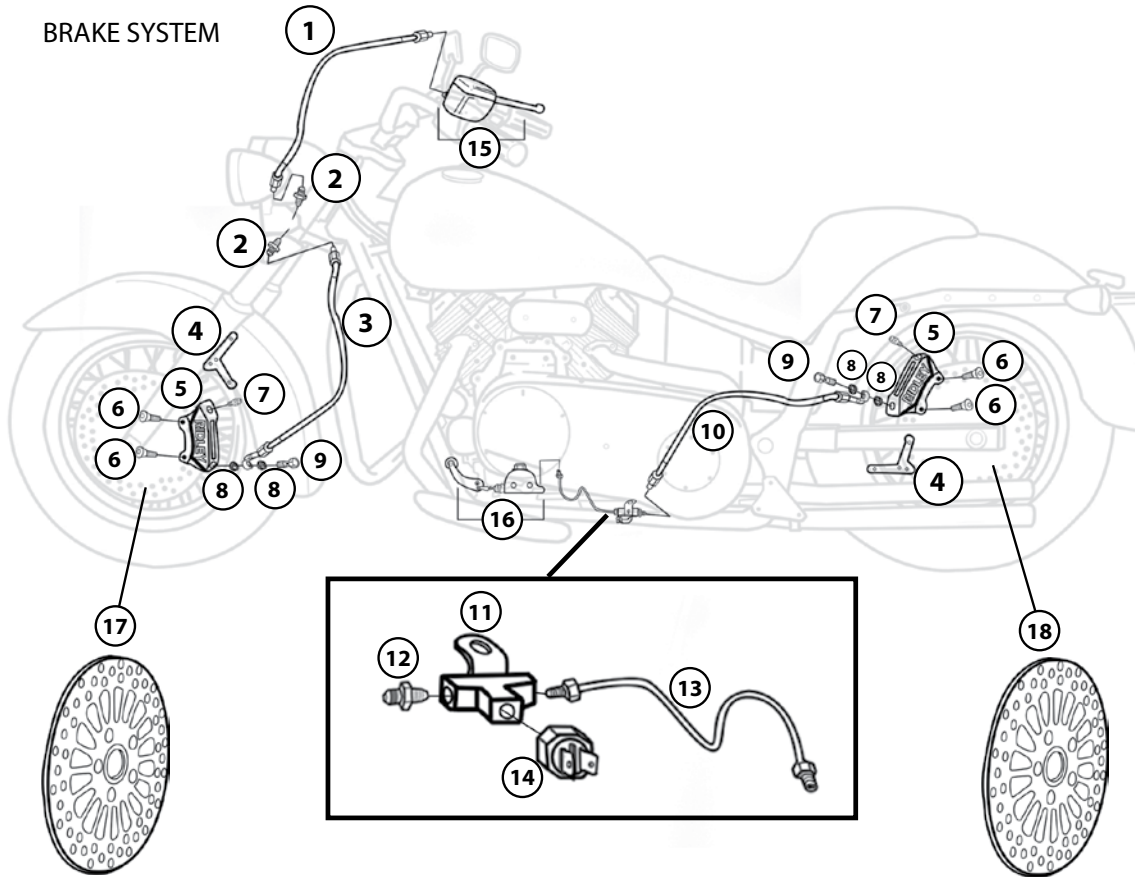


Brake System

Drawing #B3345

Model	
D Sport	✓
W Classic	✓
G TT	✓
N Old School	✓
H Chopper	

BRAKE SYSTEM



Brake System

Ridley Motorcycle Company		
Part Description	Qty.	Part No.
1.) Brake Line	1	B3015
2.) Fitting/Brake	2	B1179
3.) Brake Line	1	B3016
4.) Brake Bracket	2	B1643
5.) Brake Caliper	2	B1642
6.) Bolt 800	4	83258
7.) Bleeder Screw	2	B3323
8.) Washer (Rubber)	4	B1468
9.) Banjo Bolt	2	B1180
10.) Brake Line	1	B3017
11.) Brake "T"	1	B1805
12.) Fitting/Brake	1	B1775
13.) Brake Line	1	42934
14.) Brake Light Switch	1	11142
15.) Front Master Cylinder	1	See Pg. B3384
16.) Rear Master Cylinder	1	See Pg. B3384
17.) Front Rotor	1	B2170
18.) Back Rotor	1	B2171

Diagrams & Specs

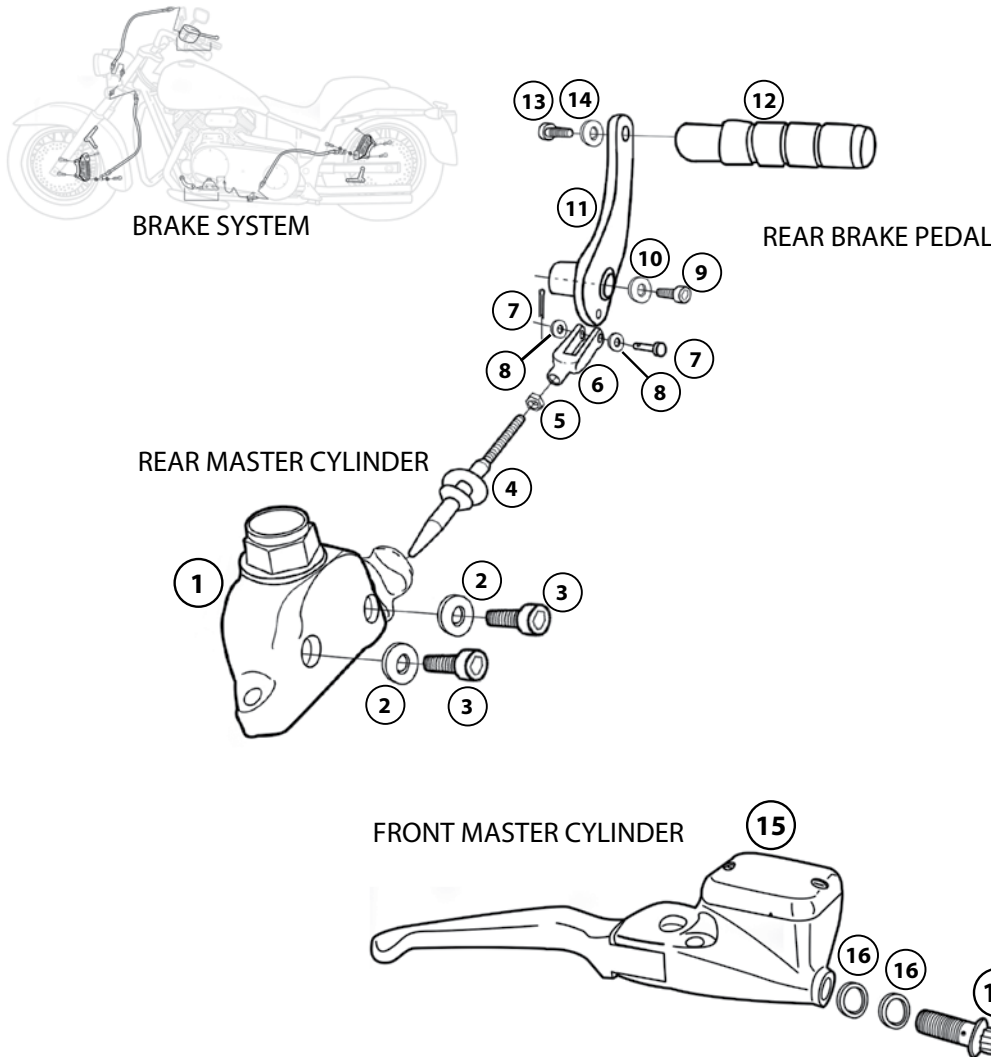
Models: AUTO-GLIDE (2006-UP)

A-45



Drawing #B3384

Model	
D Sport	✓
W Classic	✓
G TT	✓
N Old School	✓
H Chopper	



Brake System

Ridley Motorcycle Company		
Part Description	Qty.	Part No.
1.) Rear Master Cylinder	1	B1578
2.) Washer 015	2	83236
3.) Bolt 325	2	83340
4.) Brake Rod	1	B1820
5.) Nut 110	1	83341
6.) Brake Clevis	1	B1823
7.) Clevis & Cotter Pin (Set)	1	B1824
8.) Washer 005	2	83242
9.) Bolt 305A	1	83385
10.) Washer 766	1	83263
11.) Brake Lever	1	B1839
12.) Brake Pedal	1	B1864
13.) Bolt 185	1	83343
14.) Washer 010	1	83239
15.) Front Master Cylinder	1	32680
16.) Copper Washer	1	B1467

TORQUES		
Part Description	Qty.	Torque
3.) Bolt 325	2	30 ft/lbs
9.) Bolt 305A	1	87 in/lbs
13.) Bolt 185	1	17 ft/lbs

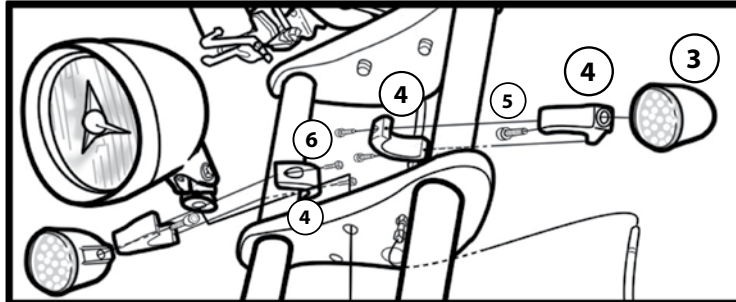
A-46



FRONT END

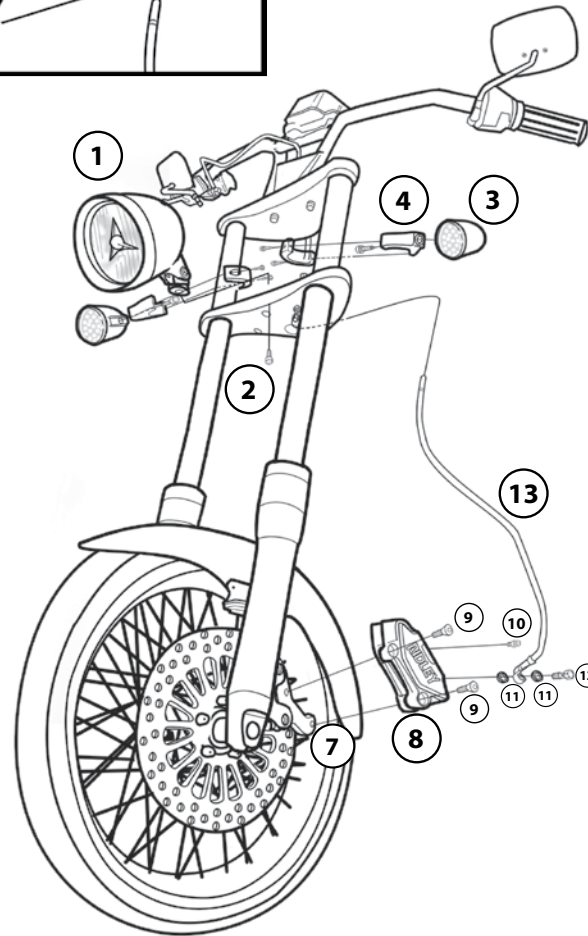
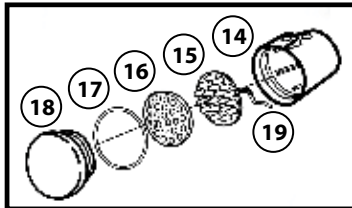
Drawing #73452

Model	
D Sport	
W Classic	
G TT	
N Old School	
H Chopper	✓



FRONT END ASSEMBLY

TURN SIGNAL ASSEMBLY



Front End Assembly

Ridley Motorcycle Company		
Part Description	Qty.	Part No.
1.) Headlight	1	31670
2.) Bolt 820	1	83270
3.) Turn Signal	2	32189
4.) Turn Signal Mount	2	31753
5.) Bolt 215	2	83271
6.) Bolt 360	4	83272
7.) Brake Bracket	1	B1643
8.) Brake Caliper	1	B1642
9.) Bolt 800	2	83258
10.) Bleeder Screw	1	83323
11.) Washer	2	B1468
12.) Banjo Bolt	1	B1180
13.) Brake Line	1	B3016
14.) Turn Signal Housing	1	33433
15.) Amber LED Board	1	33427
16.) Colored Lens (Amber)	1	33432
17.) O-Ring	1	33439
18.) Turn Signal Cover	1	33437
19.) Wiring Lead/Pigtail	1	33436

TORQUES		
Part Description	Qty.	Torque
2.) Bolt 820	1	23 ft/lbs
9.) Bolt 215	2	19 ft/lbs
10.) Bolt 360	4	19.8 in/lbs
13.) Bolt 800	2	25 ft/lbs
16.) Banjo Bolt	1	N/A

RIDLEY™

AMERICA'S AUTOMATIC MOTORCYCLE

www.RidleyParts.com

(405) 525-5400