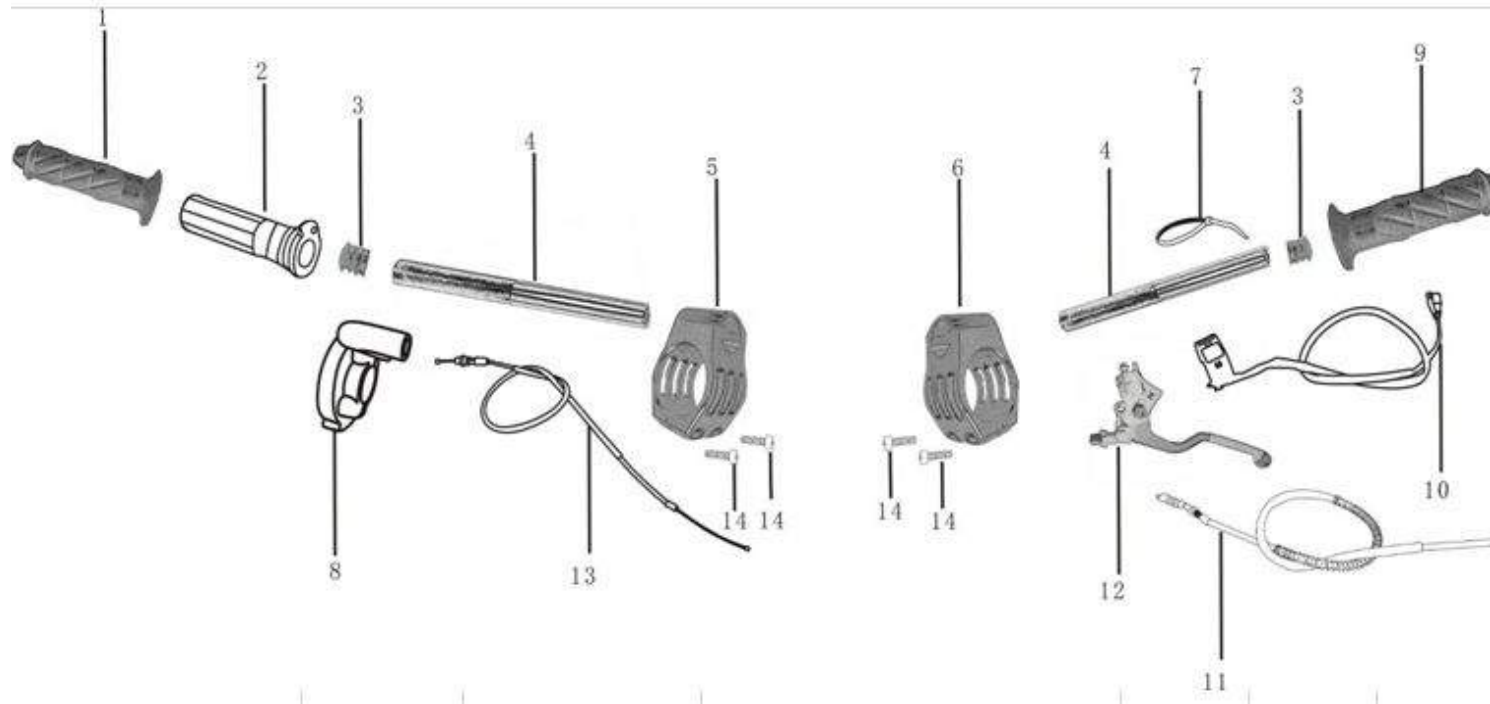
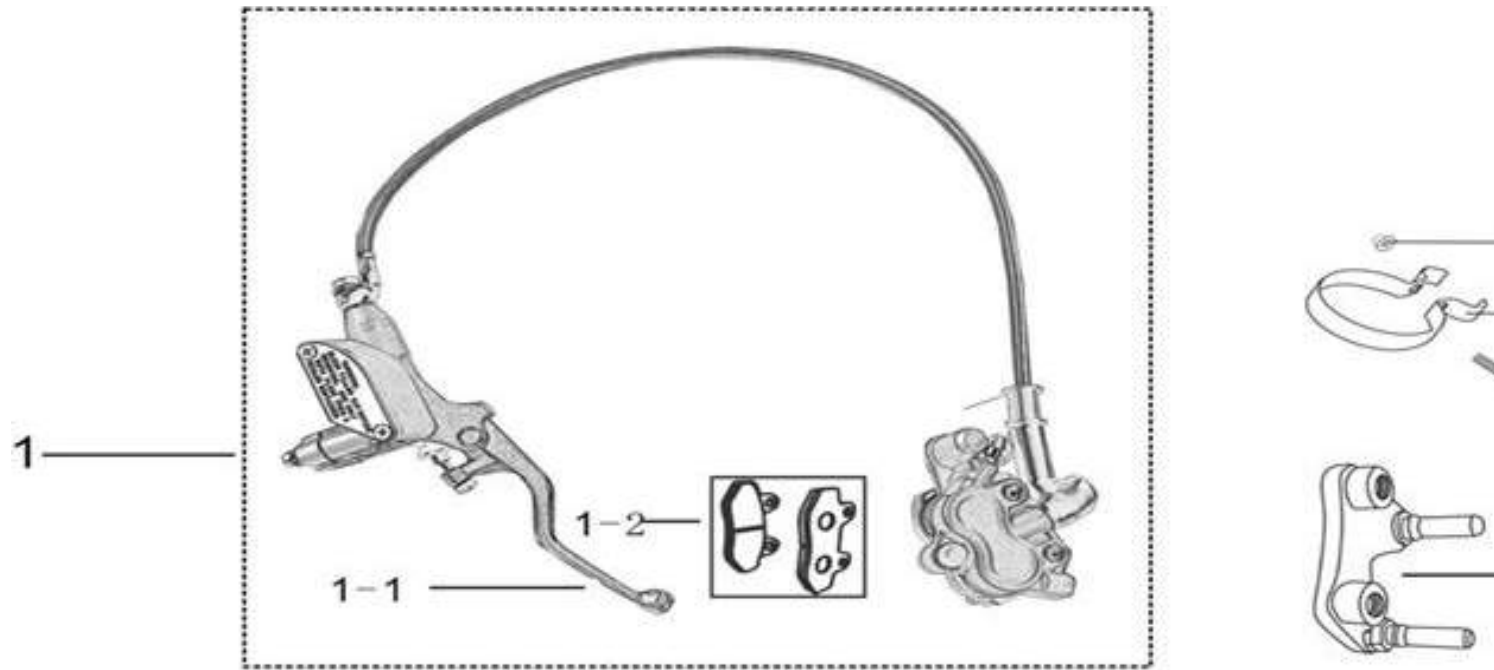


MINIGP 150



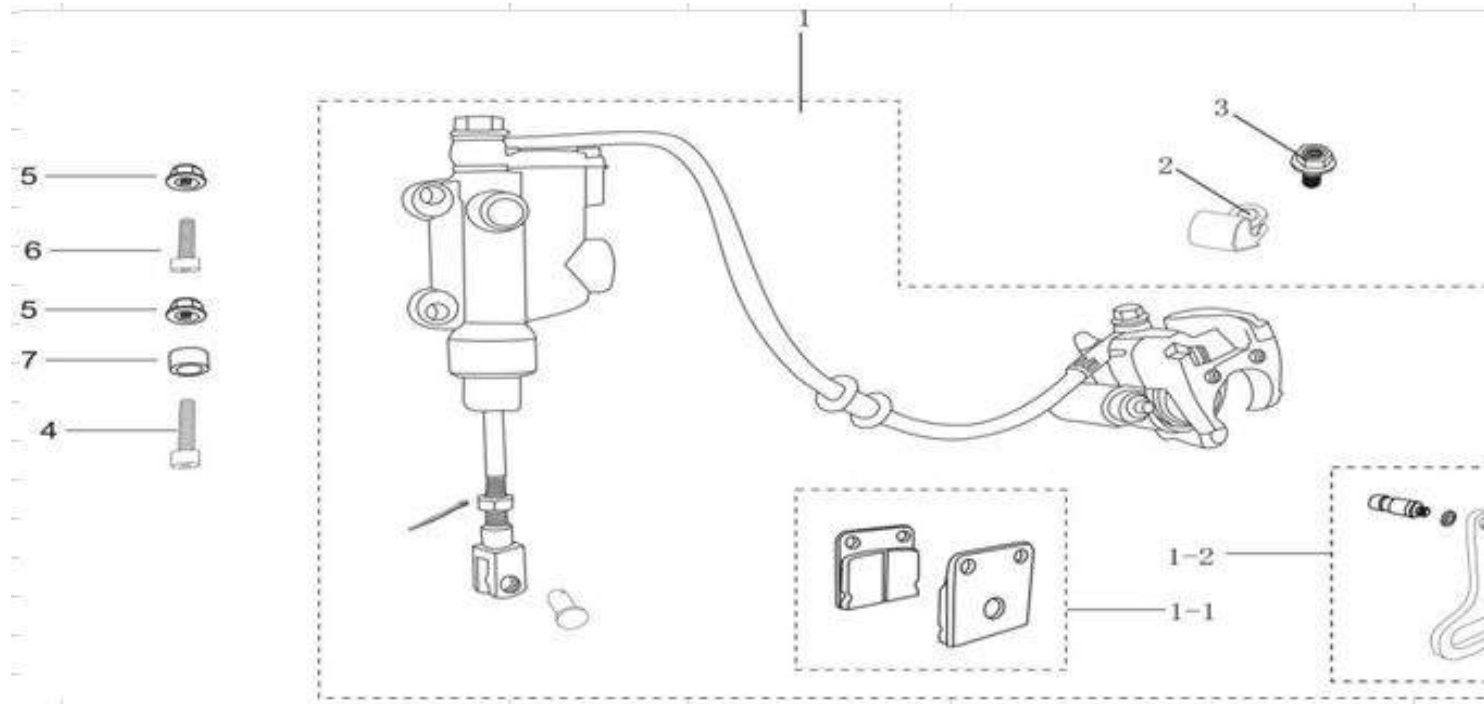
S/N	part name in EN	U8 code	Part No.	Specification in EN	Quantity for one bike
1	left handle bar grip. Black	W090032		XL60 without grip tube	1
2	throttle perch tube. White	W090021	KB0101-P01		1
3	rubber block	W400013	AR0100-015	heat-insulating block for muffler	2
4	alloy pipe. Black	L060173	AP0100-036	Φ22*2*L240	2

5	CNC left handlebar perch. Silvery	W070084	AP0101-037	84.5*40.5/ 3 holes	1
6	CNC right handlebar perch. Silvery	W070085	AP0102-037	84.5*40.5/ 3 holes	1
7	plastic belt. Black	J450024	AR0100-006	5*200mm	1
8	throttle perch. Black	W080019	KB0100-P01	without grip tube	1
9	right handle bar grip. Black	W090033		XL60 without grip tube	1
10	engine stop	D040001	AM0300-001	combined switch. Black/red button/ female plug	1
11	clutch cable. Black/ with scald protection spring	W060118	AN0200-030	rubber=670 tail=90	1
12	clutch lever assy.Silvery	W100051		no folding/with choke lever wireless	1
13	throttle cable. Black	W060060	AN0100-031	rubber=850 tail=122	1
14	screw. Blue white zinc	J350007	GB70 M6*30	GB70-85 M6*30	4



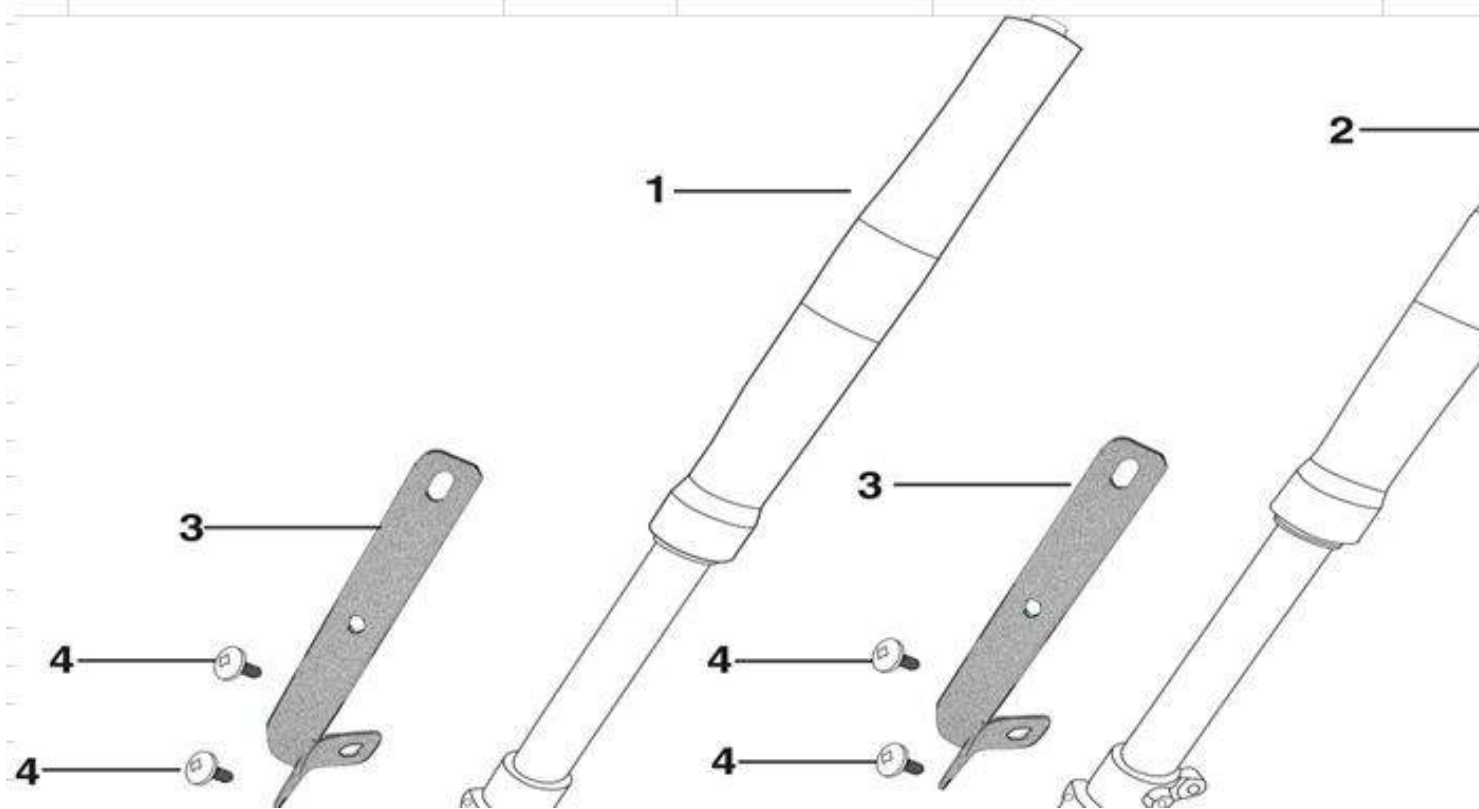
S/N	part name in EN	U8 code	Part No.	Specification in EN	Quantity for one bike
1	front disc brake assy/ L=750	W110225	KE0200-072	no-folding lever/ no pipe/ no bracket/ no-asbestos brake pad	1
1-1	brake lever. Silvery	W450747		T4/KL2G683 with handle bolt & nut	1
1-2	front brake pad	W450108	KE0500-012		1

2	flange bolt/ big head/blue white zinc	J400011	30、GB5789-86	GB5789-86 M8*30	2
3	front double disc rake bracket	W450141	KE0400-009		1
4	front brake oil tube bracket	W440176	AS0100-009	Φ42	1
5	screw/blue white zinc	J090004	GB23 M5*16	GB823-88 M5*16	1
6	flange self-locking nut/blue white zinc	J070001	55、GB6187-86	GB6187-86 M5	1



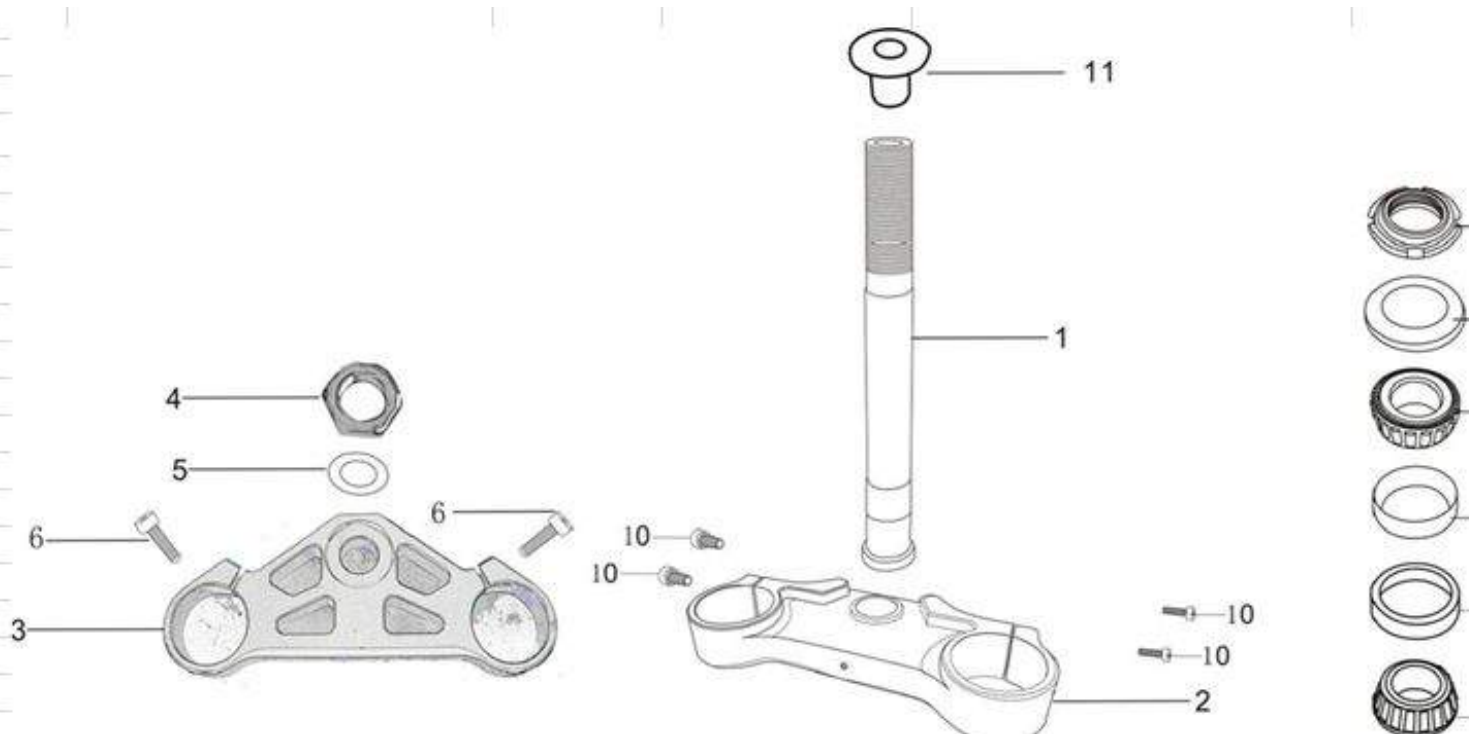
S/N	part name in EN	U8 code	Part No.	Specification in EN	Quantity for one bike
1	rear disc brake assy/ L=520	W120136	KF0200-036	180 disc/Φ15 bracket/ no-asbestos brake pad	1
1-1	rear brake pad	W450105	KF0400-004	no asbestos	1

1-2	rear brake bracket	W451223	KF0300-002		1
2	oil pipe clip. Steel	W120075	KF0300-003		1
3	flange bolt/blue white zinc	J400001	GB5789-86	M6*12	1
4	screw /blue white zinc	J350045		GB70-85 M6*35	1
5	flange nut /blue white zinc	J060001	Gb6177-86	M6	2
6	screw/blue white zinc	J350005	5、GB70-85	GB70-85 M6*20	1
7	bushing /blue white zinc	W040133	AV0006-005	Φ6.2*13.5*H9	1

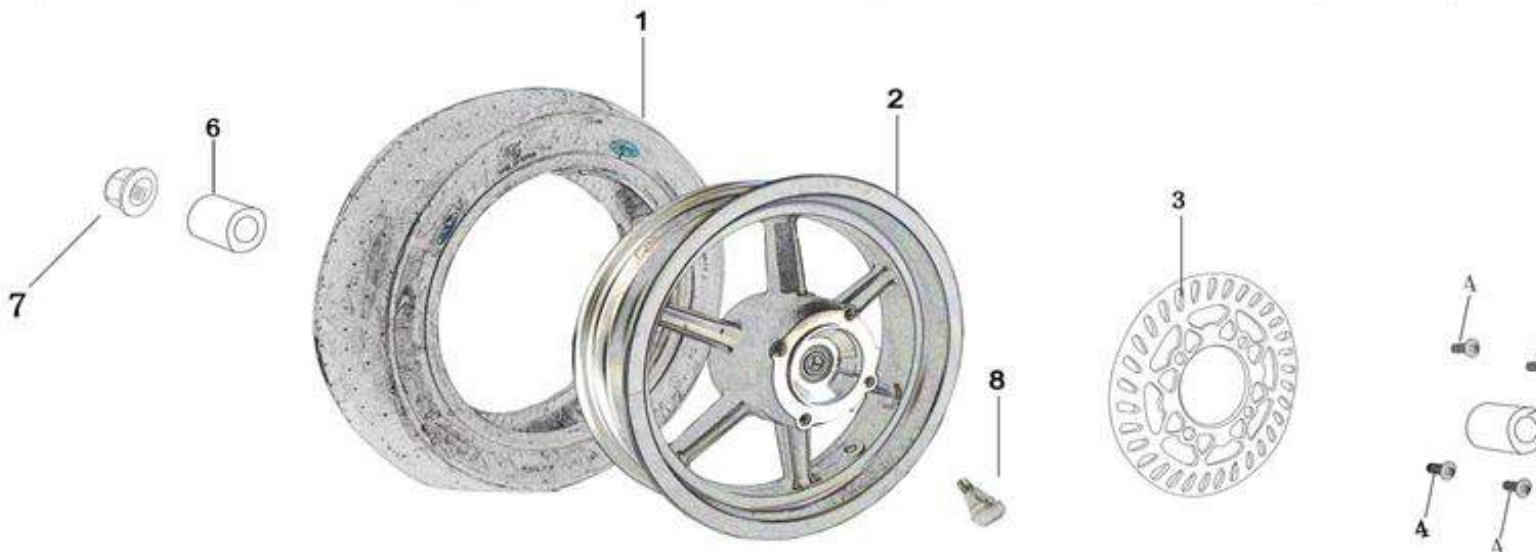




S/N	part name in EN	U8 code	Part No.	Specification in EN	Quantity for one bike
1	front right fork. Black	W140199	KH0102-071-K	610mm	1
2	front left fork. Black	W140198	KH0101-071-K	610mm	1
3	front fender bracket. Black plastic	W440302	AS0100-068		2
4	screw /blue white zinc	J230002	AW0100-007	TM5*10	4



S/N	part name in EN	U8 code	Part No.	Specification in EN	Quantity for one bike
1	steering stem. Black	W160023	KK0100-041	Φ25.1*L230	1
2	casting lower clamp. Silvery	W150045	KJ0102-028-S	Φ48/holes distance 170 with bolts	1
3	CNC upper clamp. Silvery	W150199	KJ0101-037	Φ45*2+holes distance 170+H18	1
4	nut /blue white zinc	W170002	KL0101-B03	M22*1*H9	1
5	big washer /blue white zinc	W170003	KL0102-B01	φ23*36*1.5	1
6	screw /blue white zinc	J350011	9、GB70*85	GB70-85 M8*20	2
7	locknut	W170005	KL0103-B01	thickness M22*1	1
8	dust seal	W170006	KL0104-B01		1
9	upper bearing	W170010	KL0105-B01	320/22	2
10	screw/blue white zinc	J350005		GB70-85 M6*20	4
11	nylon bushing	W400038	AR0100-026	Φ30*22+Φ15*20/T-shaped	1

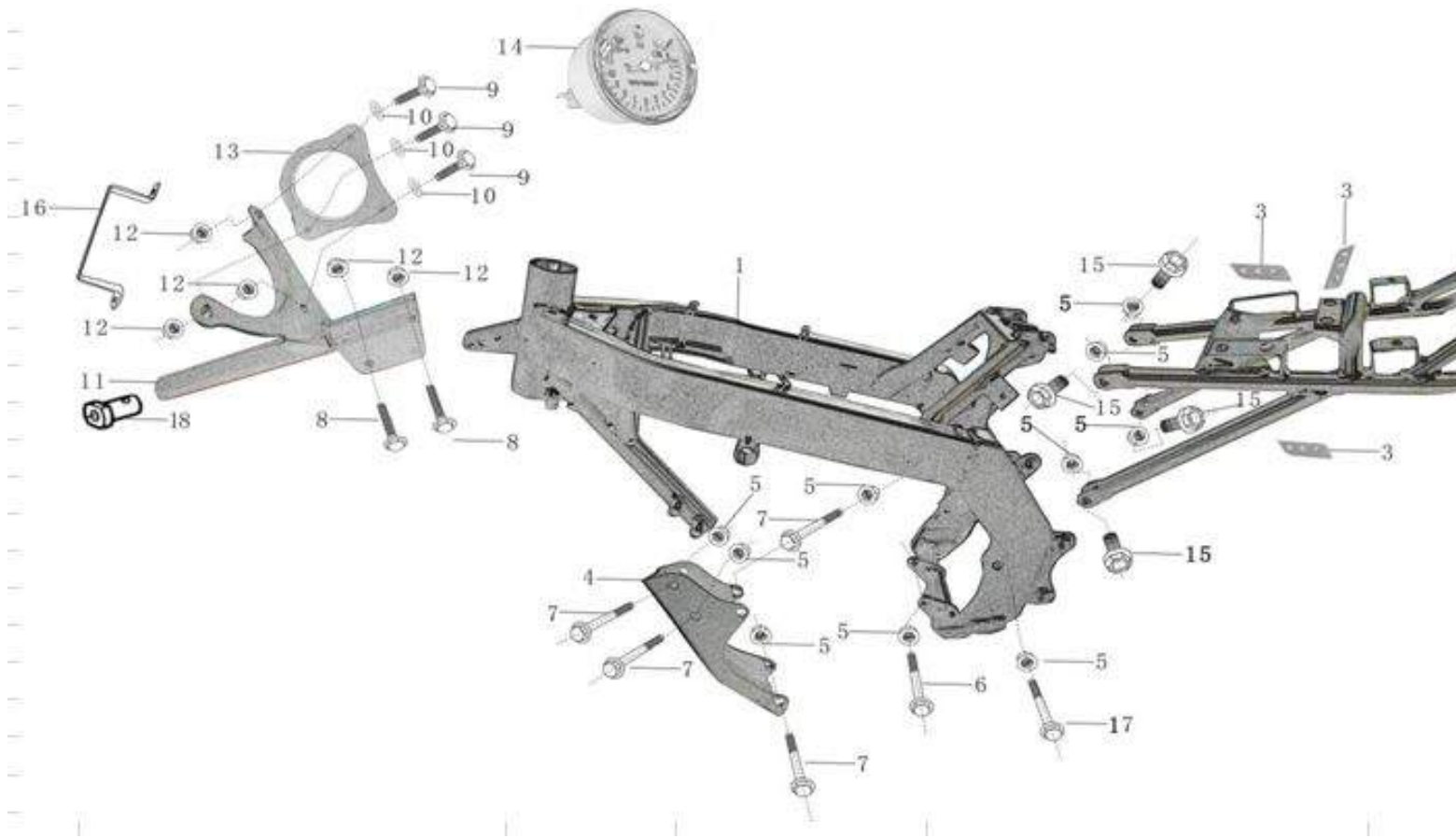


S/N	part name in EN	U8 code	Part No.	Specification in EN	Quantity for one bike
1	tire/ Smooth tread	W450821		100/80-12	1
2	casting front rim assy. Ivory/vacuum	W190232		MT3.00-12/T-23Y-55	1
3	front brake disc. Black edging	W130005	KG0101-Y02	Φ210 with groove	1
4	bolt/blue white zinc	W450029	AW0100-002	M8*16	4
5	bearing bushing /blue white zinc	W040072	AV0015-030	Φ15*25*H31 (inner*outer*height)	1
6	reducing bushing	W040119	AV0100-011	Φ15*25*H21+Φ22+H7	1
7	locking nut	J070009		M14*1.5	1
8	tire valve stem	W440108		including cap	1
9	flange axle/blue white zinc	W030037	AU0015-016	Φ15*230*M14*1.5mm	1



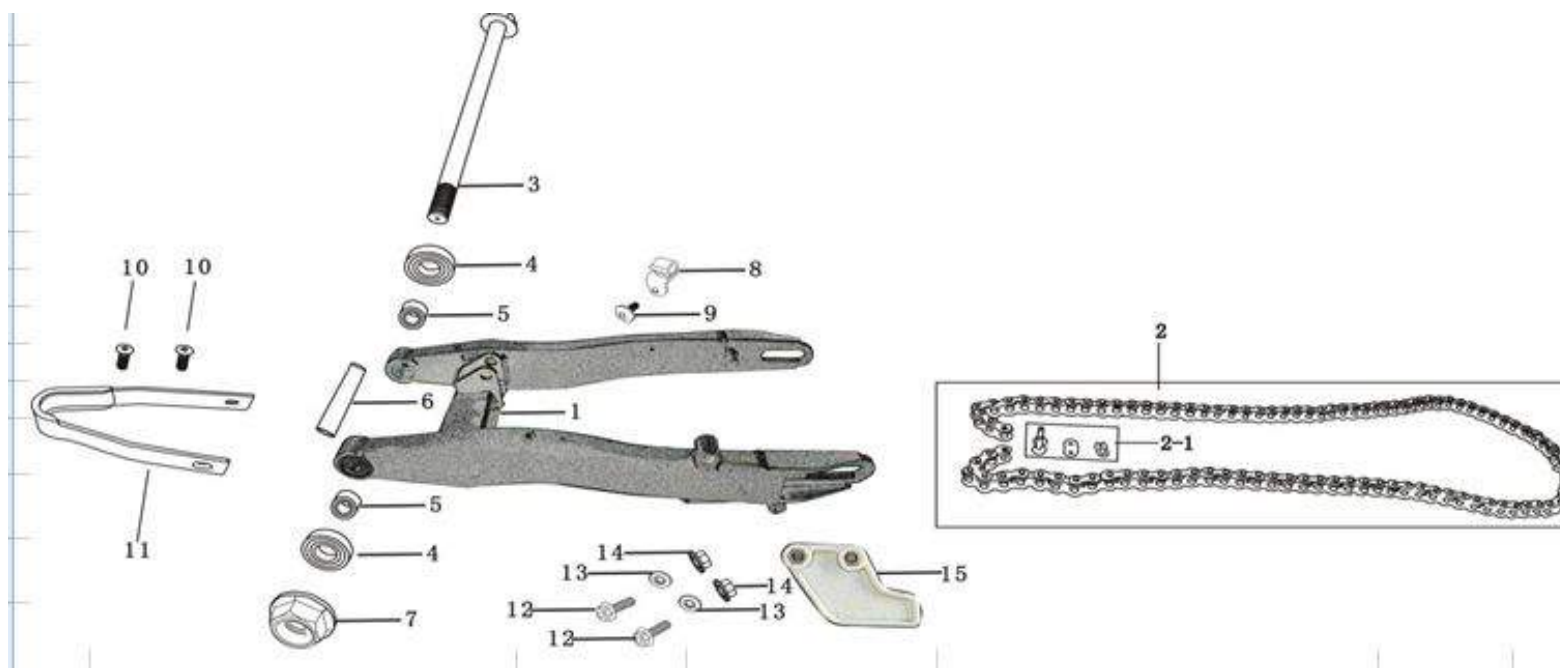


S/N	part name in EN	U8 code	Part No.	Specification in EN	Quantity for one bike
1	outer tire/ Smooth tread	W450822		120/80-12	1
2	casting rear rim assy. Ivory/vacuum	W200187		MT3.50-12/T-23Y-56	1
3	rear brake disc. Black edging	W130004	KG0102-Y01	Φ180	1
4	bolt of rear brake disc/blue white zinc	W450030	AW0100-003	M8*20	4
5	bushing /blue white zinc	W040066	AV0015-006	Φ15*25*H25	1
6	flange shaft	W030037	AU0015-016	Φ15*230*M14*1.5mm	1
7	flat bushing /blue white zinc	W040074	AV0015-044	Φ15*25*H33	1
8	bolt/black	J380004	GB/T5783 M8*30	GB5783 M8*30	4
9	screw/blue white zinc	J350012	10、GB70-85	GB70-85 M8*25	4
10	steel sproket. Black	W350006	AD0100-G04	428/41 Φ76*7	1
11	steel chain adjusting block	W340025	AC0300-003	scerw M8/ Φ15.2	2
12	bolt/blue white zinc	J050004	53、GB6170-86	GB6170-86 M8	8
14	flange locking nut	J070009		M14*1.5	1
15	tire valve stem	W440108		including cap	1
16	flat bushing /blue white zinc	J020004	76、GB97.1-85	GB97.1-85 Φ8*16*1.5	4



S/N	part name in EN	U8 code	Part No.	Specification in EN	Quantity for one bike
1	frame. Black	L060408	KQ9500-G00	ZS-ZY125/150	1
2	subframe. Black	L060077	KQ9600-G00		1
3	subframe absorber rubber block	W400041	AR0500-002	52*20 including 2 tightening bolts	3
4	steel front bracket engine. Black	W440419	AS0200-028		1
5	locking nut/blue white zinc	J070003	57、GB6187-86	GB6187-86 M8	10
6	flange bolt/blue white zinc	J390017	37、GB5787-86	GB5787-86 M8*105	1

7	flange bolt/blue white zinc	J400027		Q1841090TF6P1.25 M10*90*1.25 10.9	4
8	flange bolt/blue white zinc	J400006	26、 GB5789-86	GB5789-86 M6*35	2
9	flange bolt/blue white zinc	J390009	107GB5787-86	GB5787-86 M6*25	3
10	washer /blue white zinc	J020003	68、 GB96-76	GB97.1-85 Φ6*18*1.5	3
11	monitoring instrument braket	L060078	AS0200-029	L240/including mounting plate/CDI bracket	1
12	locking nut /blue white zinc	J070002	GB/T6187.1 M6	GB6187-86 M6	5
13	absorber gasket/black	W400042	AR0500-003	Φ84.5+3	1
14	speedo	D090006		GN125	1
15	flange bolt /blue white zinc	J400011	30、 GB5789-86	GB5789-86 M8*30	4
16	speedo bracket. Black plastic	W440307	AS0100-069	U-shaped/142*20*45.5	1
17	flange bolt /blue white zinc	J390054		GB5787-86 M8*100	1
18	Nylon bushing	W400037	AR0100-025	Φ21+17*H24.5*M6/T-shaped	1

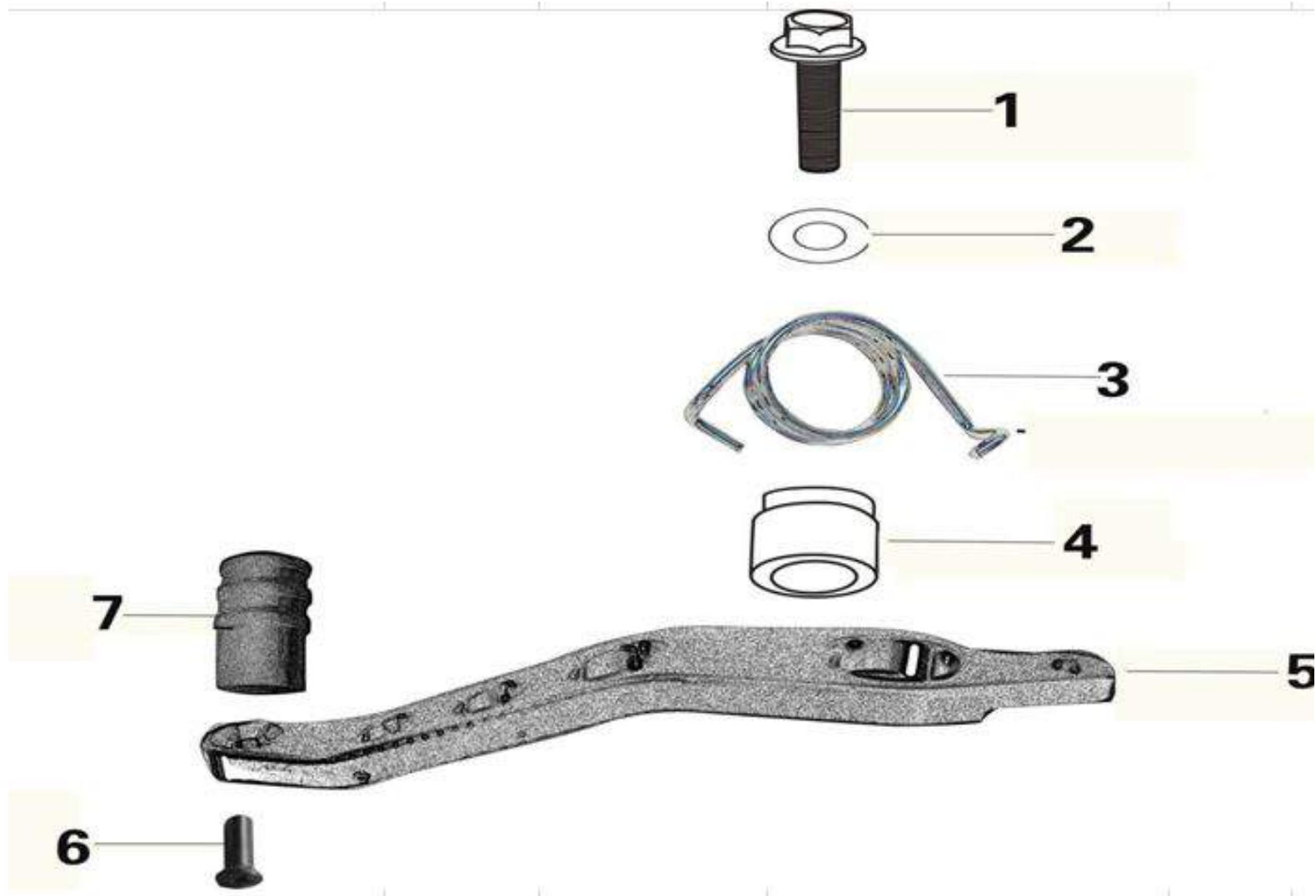


S/N	part name in EN	U8 code	Part No.	Specification in EN	Quantity for one bike
1	steel swing arm. Black	W240165	KR3007-G10	410mm	1
2	KMC chain. Gray	W020035	KMC 428-104	428 104L	1
2-1	428 master link. Gray	W450026	LTJT002		1
3	flange shaft /blue white zinc	W030064		Φ12*250*M12*1.25mm	1
4	bearing	W010022		6200Z-12/P6	2
5	bushing /blue white zinc	W040043	AV0027-G00	Φ12.2*22.5*H17	2
6	pipe for swing arm. Black	L060407	AV0200-021	Φ18*2*L122 steel pipe	1
7	locking nut /blue white zinc	J070006	59、GB6187-86	GB6187-86 M12*1.25	1
8	rear oil pipe clip. Black plastic	W120074	AW0100-004		1
9	screw /blue white zinc	J230009		TM6*12	1
10	screw /blue white zinc	J310001	GB819 M6*12	GB819 M6*12	2
11	chain slider. Black	W340036	AC0200-005	V-shaped	1
12	flange bolt /blue white zinc	J400004	24、GB5789-86	GB5789-86 M6*25	2

13	washer /blue white zinc	J020003	68、 GB96-76	GB97.1-85 $\Phi 6*18*1.5$	2
14	flange nut /blue white zinc	J060001	61、 GB6177-86	GB6177-86 M6	2
15	chain guider. White	W340001	AC0400-003		1

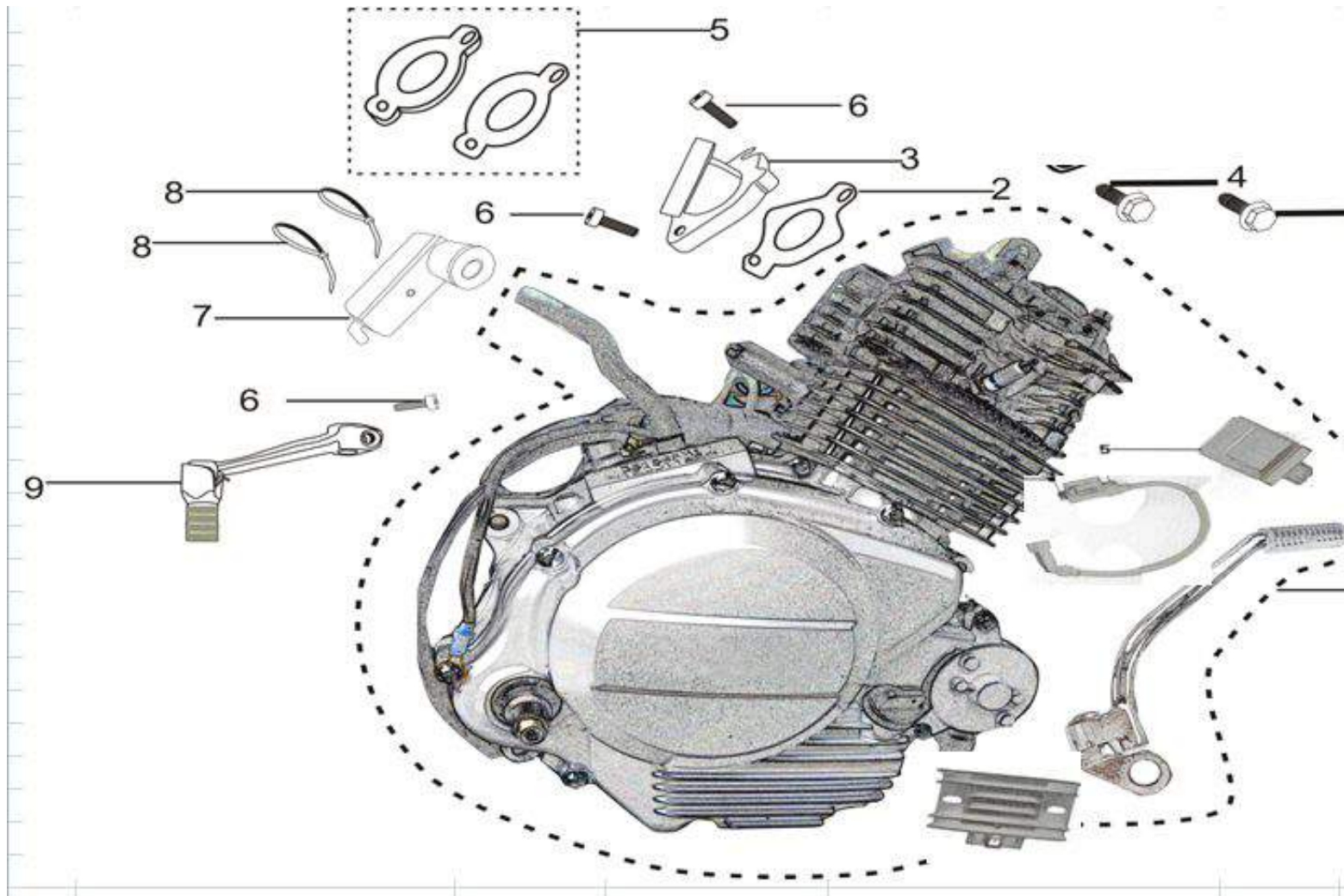


S/N	part name in EN	U8 code	Part No.	Specification in EN	Quantity for one bike
1	rear shock. black base/white spring	W360118	AE0200-W10	airbag L=215	1
2	flange locknut /blue white zinc	J070004	58、 GB6187-86	GB6187-86 M10*1.25	2
3	flange bolt /blue white zinc	J390028	44、 GB5787-86	GB5787-86 M10*40*1.25	2
4	hoop	J450018	QTKK001	$\Phi 51-70$ /aluminum double girder	1

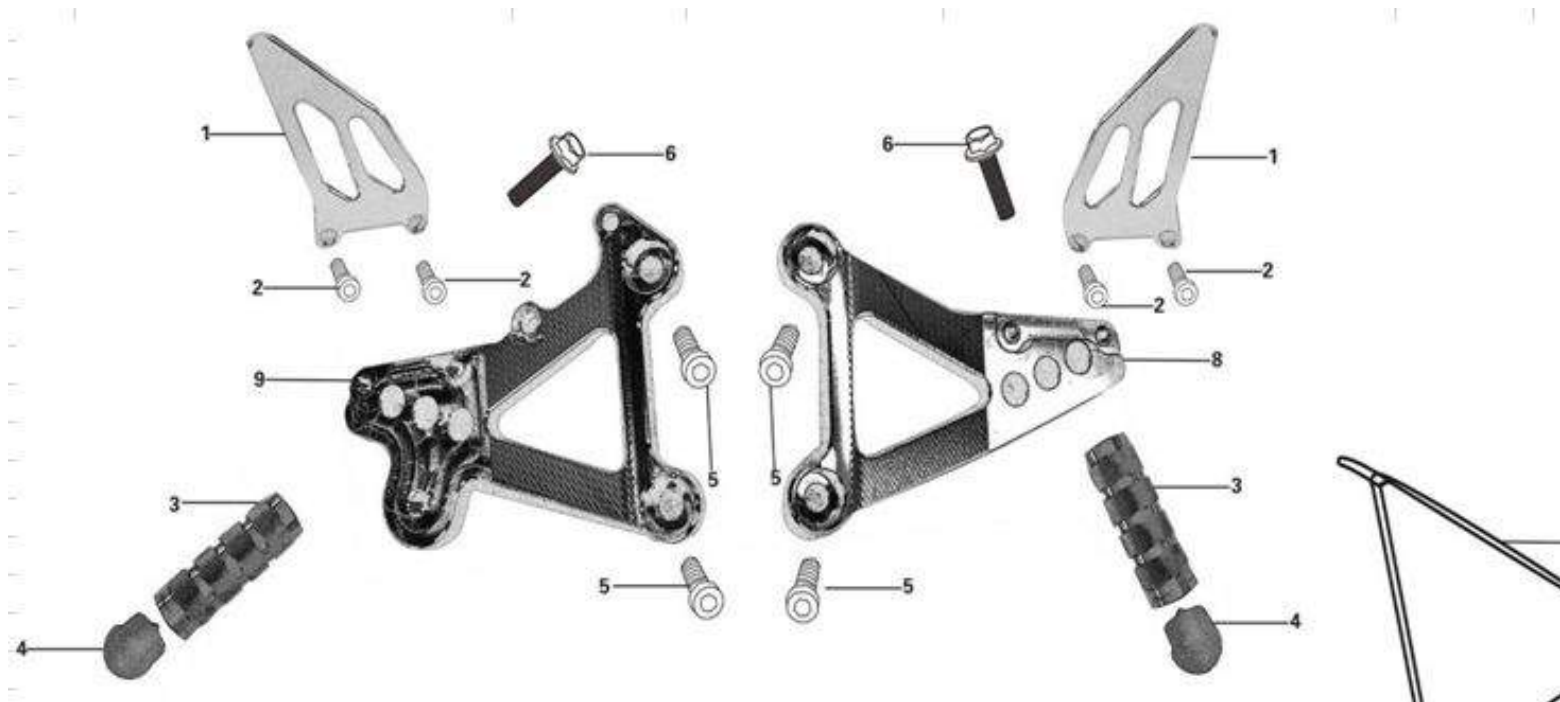


S/N	part name in EN	U8 code	Part No.	Specification in EN	Quantity for one bike
1	flange bolt /blue white zinc	J390010	31、 GB5787-86	GB5787-86 M8*35 S12/ half thread	1

2	washer /blue white zinc	J020006	AW0300-001	GB97.1-85 $\Phi 8*28*1.5$	1
3	brake spring /blue white zinc	W050026	AQ0200-009	$\Phi 26*\Phi 2.5*4$ ring	1
4	reducing bushing /blue white zinc	W040134	AV0100-013	$\Phi 8.2*25*H23+\Phi 20+H8.5$	1
5	CNC brake pedal. Silvery	W330093	AA4000-L02	holes	1
6	screw /blue white zinc	J310002	GB819 M6*20	GB819 M6*20	1
7	gear shift/brake pedal lever knob	W330062	AA4100-N01-K	GP	1



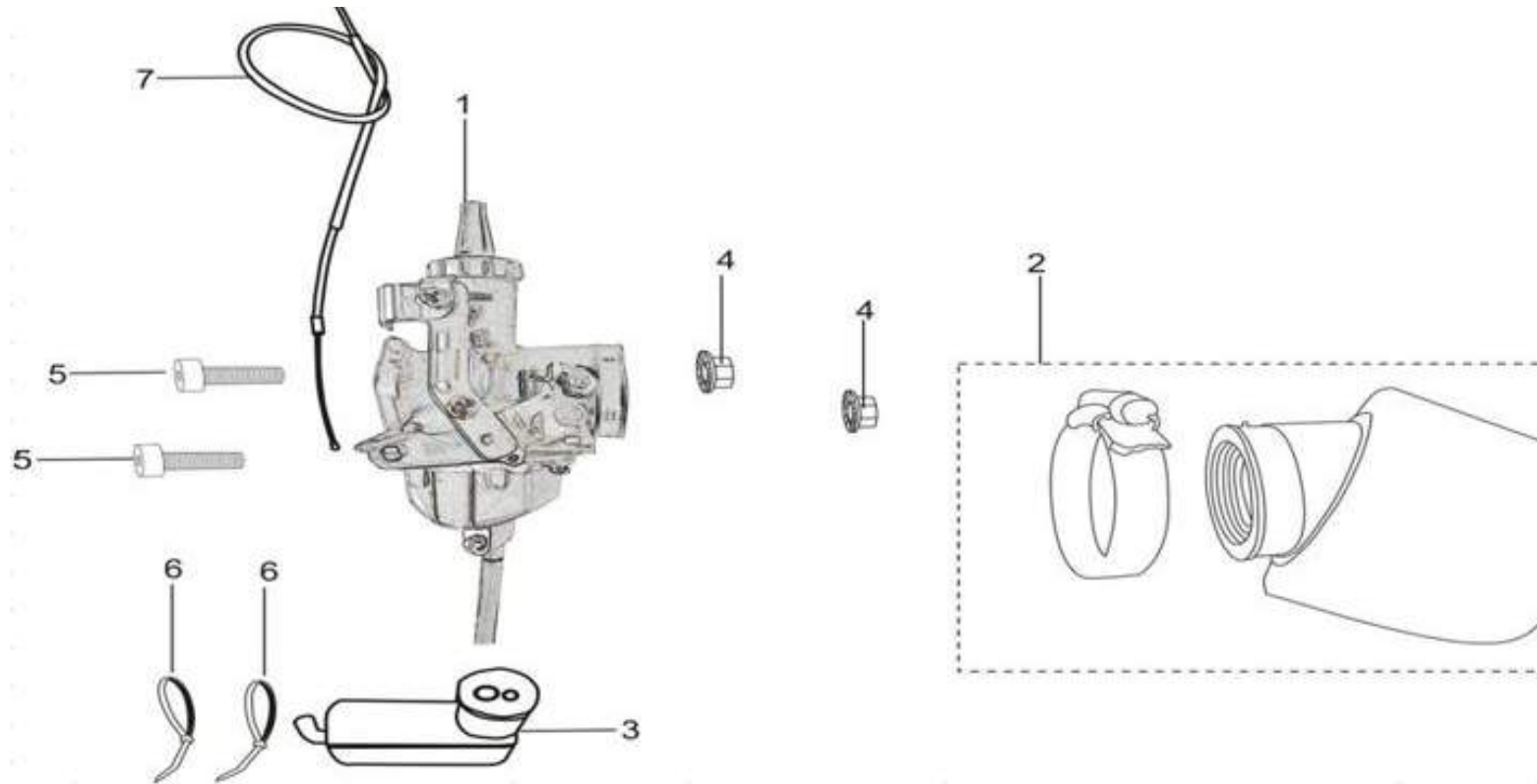
S/N	part name in EN	U8 code	Part No.	Specification in EN	Quantity for one bike
1	ZS ZY150 engine. Silvery	W250779		with asbestos 428-14 manual clutch/ full cap/aluminum cylinder chromed starter /including intake pipe, voltage regulator, CDI, ignition coil L=150	1
4	flange bolt /blue white zinc	J390001	103GB5787-86	GB5787-86 M6*12	2
6	screw /blue white zinc	J350005	5、 GB70-85	GB70-85 M6*20	3
7	slop oil bottle/white	W400022			1
	slop oil bottle cap/white	W400023		single hole/ connect the engine	1
8	plastic belt. Black	J450024	AR0100-006	5*200mm	2
9	gear shift lever. Chromed	W440329			1





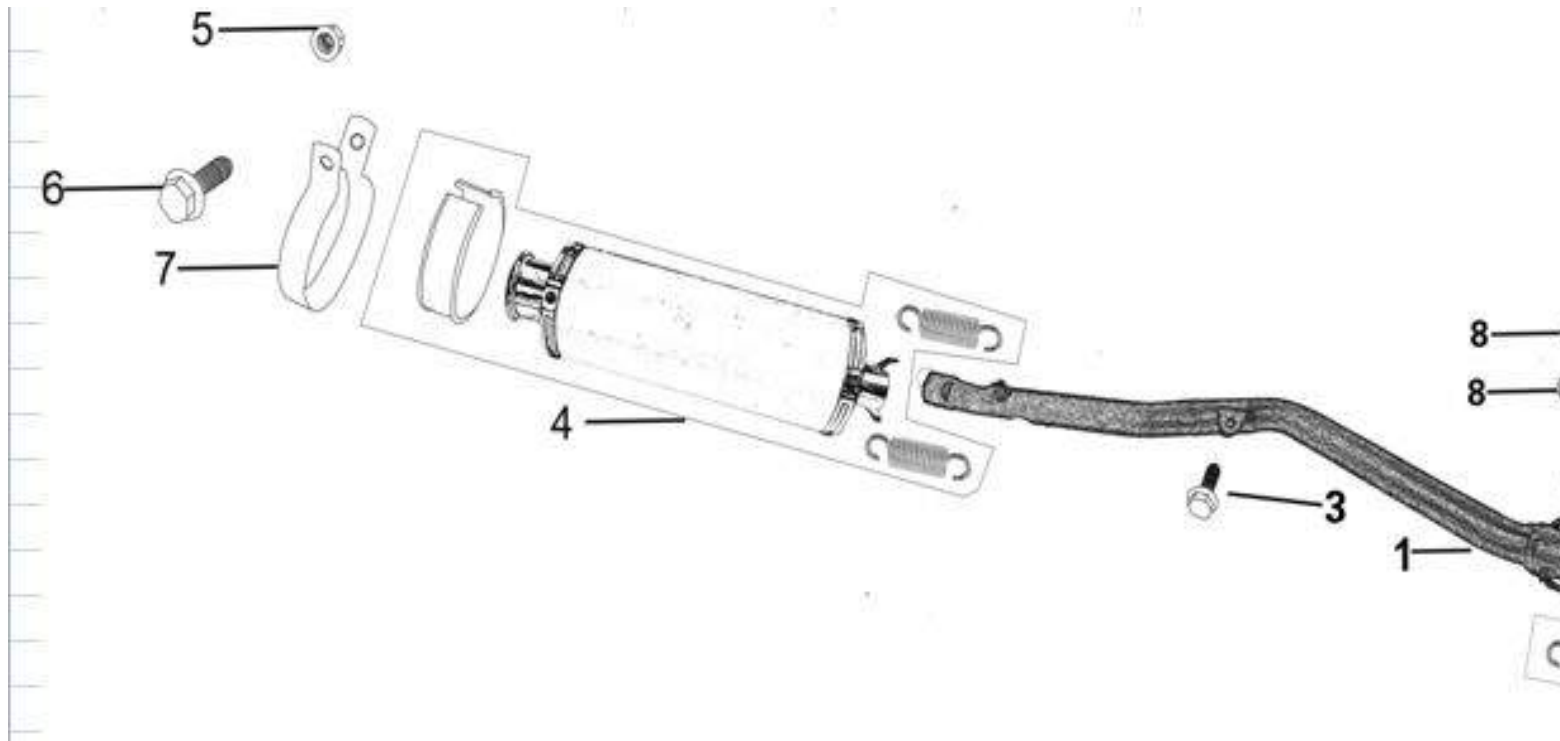
S/N	part name in EN	U8 code	Part No.	Specification in EN	Quantity for one bike
1	CNC footrest bracket fender. Silvery	W320061	AP0100-035		2
2	inside socket head cap screw /blue white zinc	J350003	GB70-85M6×12	GB70-85 M6*12	4
3	left/right brake pedal lever. Silvery	W320029	KZ0101-GP01-S		2
4	nylon end cap. Black	W400043	AR0500-005	Φ18.5*10+Φ24*12 half circle	2
5	screw /blue white zinc	J350010	8、GB70-85	GB70-85 M8*16	4
6	flange bolt /blue white zinc	J390026	99GB5787-86	GB5787-86 M10*30*1.5	2
7	triangle sidestand. Black	W310109	KY0200-P09-K	14/12	1
8	CNC left footrest bracket. Silvery	W320060	KZ0102-020		1
9	CNC right footrest bracket. Silvery	W320059	KZ0101-020		1





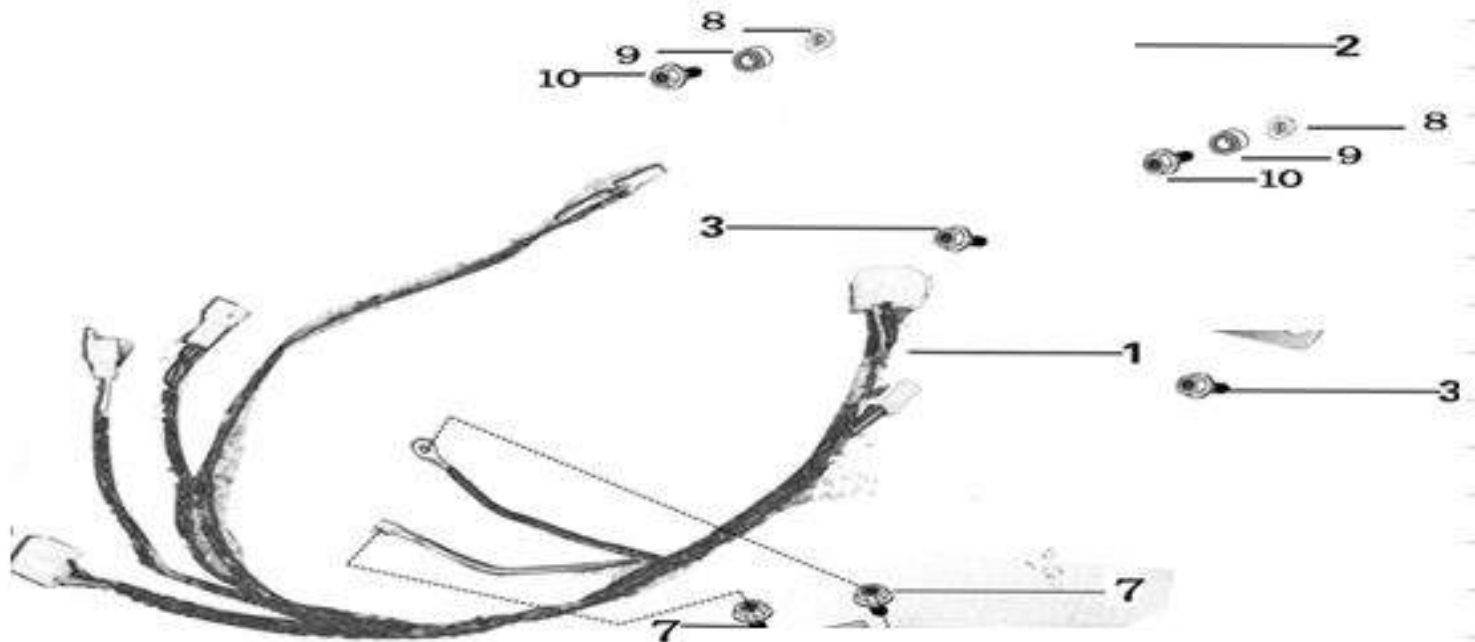
S/N	part name in EN	U8 code	Part No.	Specification in EN	Quantity for one bike
1	choke lever	W270017	KU0100-S02	SG 30 VM26	1
	choke cable bracket	W270030		including torsional spring/SG 30 VM26	1
	carburetor main metering jet	W450263	QTHY016	115	1
2	sponge air filter. Black	W280026		Φ42 including hoop	1
3	slop oil bottle. White	W400022			1
	slop oil bottle cap. White	W400024		double holes/ connect the carburetor	1

4	flange locknut	J060001	GB6177-86	M6	2
5	screw /blue white zinc	J350007	GB70 M6*30	GB70-85 M6*30	2
6	plastic belt. Black	J450024	AR0100-006	5*200mm	2
7	choke cable	W060078	AN0100-054	rubber=710 tail=58	1



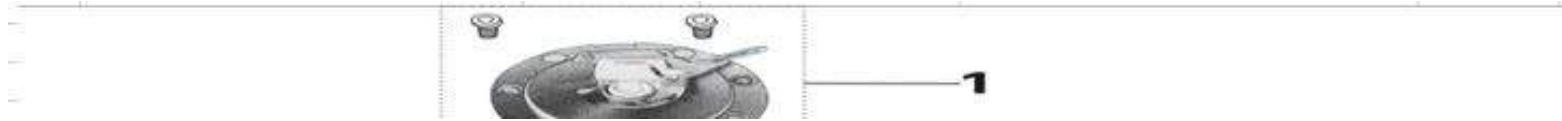
S/N	part name in EN	U8 code	Part No.	Specification in EN	Quantity for one bike
1	exhaust pipe B. Black	W290148	KW0202-052	ZS-ZY125/150	1
2	exhaust pipe A. Black	W290147	KW0201-052	ZS-ZY125/150	1
3	flange bolt/big head /blue white zinc	J400001	21、GB5789-86	GB5789-86 M6*12	1

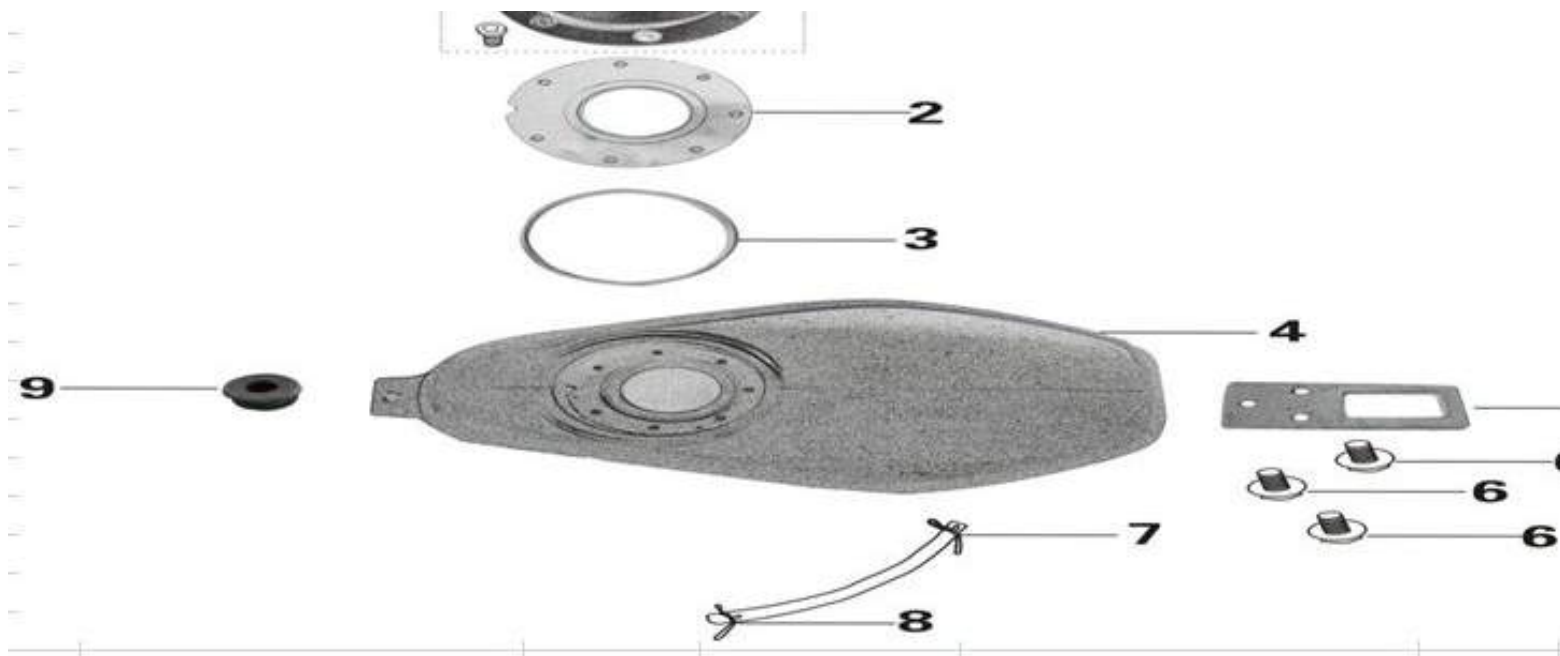
4	muffler. Silvery	W290108	KW0104-052	with hoop/leather cushion/seal washer/4 tention springs	1
5	flange locknut/blue white zinc	J070003	57、GB6187-86	GB6187-86 M8	1
6	flange bolt/big head /blue white zinc	J400010	29、GB5789-86	GB5789-86 M8*25	1
7	muffler hoop stainless	W290109			1
8	flange bolt/big head /blue white zinc	J400004	24、GB5789-86	GB5789-86 M6*25	2



S/N	part name in EN	U8 code	Part No.	Specification in EN	Quantity for one bike
1	main wire harness 038 waterproof	D050083	AM0400-038	ZS-ZY125/150	1

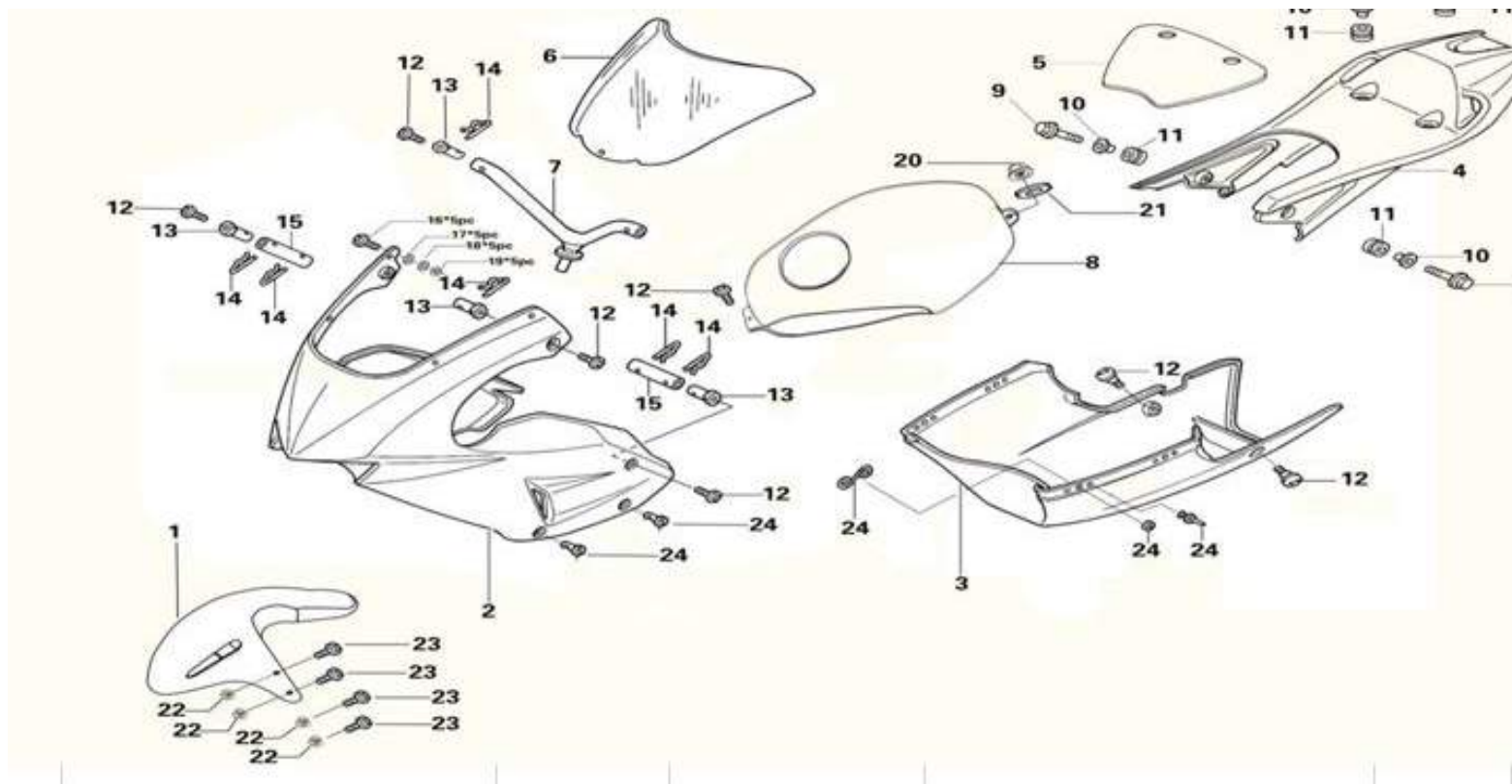
3	flange bolt /blue white zinc	J390004	105GB5787-86	GB5787-86 M6*20 S8	2
7	flange bolt /blue white zinc	J390004	105GB5787-86	GB5787-86 M6*20 S8	2
8	flange nut /blue white zinc	J060001	61、 GB6177-86	GB6177-86 M6	2
9	flat bushing /blue white zinc	W040133	AV0006-005	Φ6.2*13.5*H9	2
10	flange bolt /blue white zinc	J390009	107GB5787-86	GB5787 S8 M6*25 full thread	2





S/N	part name in EN	U8 code	Part No.	Specification in EN	Quantity for one bike
1	fuel tank cap	W380058		ZD236	1
2	arresting gasket. Silvery	W380057	AR0500-004	Φ51+114	1
3	fuel tank seal ring	W400040	AR0400-002	Φ80*3	1
4	fuel tank	W370024	AF0100-007	XL/585.8*292.2*219.3	1
5	fuel tank plug-in. Black	W440289	AS0200-027	95*43*5.5/with square hole	1
6	flange bolt/big head /blue white zinc	J400001	21、GB5789-86	GB5789-86 M6*12	3
7	oil pipe clip	J450020	AR0100-008	Φ7.5	1
8	oil pipe clip	J450021	AR0200-008	Φ9	1
9	rubber cushion	W400006	AR0100-003		1





S/N	part name in EN	U8 code	Part No.	Specification in EN	Quantity for one bike
1	front fender. White	W390251		MR	1
2	front palstics. White	W390252		MR	1
3	lower plastics. White	W390253		with rubber plug	1
4	rear plastics. White	W390254		MR	1
5	seat pad. Black	W400039	AJ0100-014	273+150*243	1
6	wind-proof glass	W390250		MR	1
7	support frame. Black	L060181	AS0200-039	V-shapedΦ16*2*L=303.4	1
8	fuel tank cover. White	W390255		MR	1
9	flange bolt/big head /blue white zinc	J400005	25、GB5789-86	GB5789-86 M6*30 full thread	4

10	oil cooler busher	W260033	KT0300-006		4
11	oil cooler rubber washer. Black	W260032	KT0300-005		4
12	screw /blue white zinc	J230009	AW0100-004	TM6*12	7
13	nylon bushing	W400037	AR0100-025	Φ21+17*H24.5*M6/T-shaped	4
14	B-shaped plug pin	J420008	AW0600-005		6
15	bracing pipe of front plastics. Black	L060170	AS0200-030	Φ16*2*L68 steel pipe	2
16	screw /blue white zinc	J090004	GB23 M5*16	GB823-88 M5*16	5
17	rubber cushion	W400005	AR0100-002		5
18	gasket /blue white zinc	J020003	68、GB96-76	GB97.1-85 Φ6*18*1.5	5
19	flange locknut /blue white zinc	J070001	55、GB6187-86	GB6187-86 M5	5
20	flange nut /blue white zinc	J060002	62、GB6177-86	GB6177-86 M8	1
21	gasket /blue white zinc	J020006	AW0300-001	GB97.1-85 Φ8*28*1.5	1
22	flange nut /blue white zinc	J060001	61、GB6177-86	GB6177-86 M6	4
23	screw /blue white zinc	J230010		TM6*16	4
	MR glass reinforced plastic thread springs 1:4	J450035		stainless steel/two holes	4

问题:

- 1 前碟刹油管长度
- 2 内外辐条一个U8号码
- 3 导链轮, 平垫片 一个U8号码
- 4 刹车踏板改上走
- 5 单撑的图号和 MX110的单撑图号一样, 但是U8号不一样
- 6 前泥板安装螺栓 有一个的数量不对图片序号17的
- 7 两张车架的图片不一样
- 8 车架图片里的编码 有遗漏 (序号11), 序号9的 数量不对
- 9 平叉 轴承的螺母 编号不对
- 10 发动机的附件 重新整理, 纸垫, 隔热垫, 螺栓等
- 11 单撑螺栓的螺母 数量不对
- 12 单撑和单撑簧的序号不对
- 13 塑料件图片 两个图片 不一样
- 14
- 15