

# OWNERS MANUAL

Electric, Foldable & Portable Scooter

<https://www.motorcycle-manual.com/>

## IMPORTANT

Please read and understand this entire manual before attempting to assemble or operate your **HORWIN GT Slider**. It will help you stay safe and keep your scooter in good working order.

This scooters can be used by adults and children of 14 years and up. Please read the Warnings section of this manual to see if any limitations or restrictions apply to you.

Before using the scooter for the first time, make sure to also check the instructions for its safe use, maintenance, charging, storage and disposal.

### **Save the planet – ride a scooter to make our cities less congested and polluted.**

The scooter is a means of transportation that you may want to use on your way to work, school, nearby grocery store or any other destination. By leaving your car at home, you help to make our cities better places to live. Before entering traffic, please practice in a safe area. Please check the local regulations for scooters and helmets and follow the law.

### **Happy riding**



#### **UPDATES TO THE OWNER'S MANUAL**

Please check [www.horwin.eu](http://www.horwin.eu) periodically for important updates to the owner's manual.



# TABLE OF CONTENT

<b>PART 1: BEFORE YOU RIDE</b> .....	1
1.1 Safety Warnings.....	1
1.2 Safety Tips .....	1- 2
1.3 Pre-Ride Checklist.....;	2
1.4 Product Features.....	4
1.5 Product Specifications .....	4
<b>PART 2: ASSEMBLY &amp; SETUP</b> .....	5
2.1 LCD Screen .....	5
2.2 Scooter Diagram .....	6
2.3 Folding and Unfolding .....	7
<b>PART 3: MAINTENANCE TIPS</b> .....	8
3.1 Maintenance .....	8
3.2 Battery & Charger Use & Care .....	8- 9
<b>PART 4: WARRANTY</b> .....	9

# PART 1: BEFORE YOU RIDE

## 1.1 Safety Warnings



**GENERAL WARNING:** Riding the **GT Slider** can be a hazardous activity even under the best circumstances. Proper maintenance of the GT Slider is your responsibility and can help reduce risk of injury. Certain conditions may cause the equipment to fail without fault of the manufacturer. The electric scooter is intended to move and it is therefore possible to lose control, fall off and/or get into dangerous situations that no amount of care, instruction or expertise can eliminate. If such things occur you can be seriously injured or die, even when using safety equipment and other precautions. **RIDE AT YOUR OWN RISK AND ALWAYS USE COMMON SENSE.**

This manual contains many warnings and cautions concerning the consequences of failing to maintain, inspect or properly use your electric scooter. Because any incident can result in serious injury or even death, we do not repeat the warning of possible serious injury or death each time such a possibility is mentioned.

**YOUR SAFETY IS UP TO YOU WHEN YOU ARE OPERATING YOUR GT SLIDER .**



**WARNING:** The GT SLIDER is not a toy and not meant to be used by children. It is NOT child-proof.

*Check and obey all local laws and regulations regarding helmet use and scooter operation in the locations where the electric scooter may be used.*

## 1.2 Safety Tips

**YOUR SAFETY IS UP TO YOU WHEN YOU ARE OPERATING YOUR GT SLIDER.** We list a few safety tips below to help you reduce the risk of injury, but it is not possible to list all.

- Always wear a helmet, other safety equipment, appropriate clothing, and shoes.
- Check the condition of your GT Slider each time you're going to ride it. Make sure all the components, including the tires are in good condition and working properly.
- Always maintain a grip on both handlebars while riding.
- Never allow more than one person at a time to ride the scooter.
- Do not exceed the weight limit of 264 lbs.
- Keep your fingers and other body parts away from wheels and all other moving components.

- Do not ride your scooter in rain, wet or icy weather and never immerse the scooter in water.
- Always avoid excess speed associated with downhill rides.
- Do not brake harshly.
- Only use authorized charger and parts.
- Do not allow hands, feet, hair or any other body parts to come in contact with moving parts while engine is running.
- Do not ride while using a cell phone, other electronics, or wearing headphones
- Always be alert and ride defensively to help prevent accidents. Watch out for obstacles that could catch one of the scooter's wheels or force you to turn suddenly and/or lose control.
- Do not improperly disassemble or modify the GT Slider . The warranty will be voided.

### **1.3 Pre-Ride Checklist**

#### **Brake**

Check that the brakes are working properly. When you squeeze the lever, the brake should provide positive braking action.

#### **Frame, handlebars**

Check for cracks or broken connections.

#### **Tires**

To ensure safety, check the tread and tire pressure of both tires each time before riding. Make sure tire pressure is properly inflated to the manufacturer's recommended tire pressure.

#### **Hardware**

Check all parts such as nuts, bolts, cables, etc. to ensure they are secure and assembled correctly. If the unit is damaged, do not ride.

#### **Laws & Regulations**

Always check and obey any local laws or regulations regarding helmet use and scooter operation.

#### **Insurance**

Do not assume that your existing insurance provides coverage for use of this product. Check with your insurance company for information before riding.

#### **Proper Attire**

Always wear proper protective equipment such as an approved safety helmet with chin strap securely buckled. A long-sleeved shirt, long pants, and gloves are recommended. Never ride barefooted or in sandals, and keep shoelaces tied and out of the way of the wheels.

**YOUR SAFETY IS UP TO YOU WHEN YOU ARE OPERATING YOUR GT SLIDER.**

---

WELCOME TO  
THE

---



The HORWIN GT Slider is one of the first electric, foldable scooters created to provide the best last mile solution for Urban Commuters. The foldable, innovative design and top-level technology makes it the perfect choice for urban living.

Congratulations on your new GT Slider and we know you will enjoy the ride!



## 1.4 Product Features

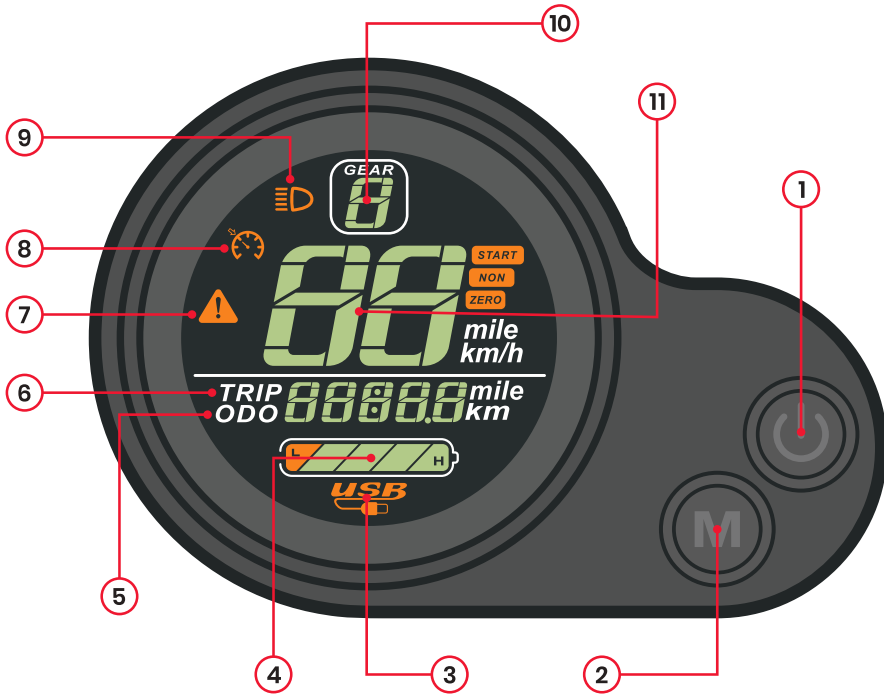
1. High Performance Electric Engine
2. Powerful LED Light
3. Foldable Design
4. Front and Rear Disc Brakes
5. The perfect Cockpit
6. Large, anti-slip surface for more stability and grip while driving
7. Integrated, foldable parking stand with increased durability
8. Adjustable height of the steering bar to fit any body size

## 1.5 Product Specifications

MODEL	GT SLIDER
MAX LOAD	120KGS
GRADEABILITY	15°
MAX RANGE	40KM
COLOR	BLACK/WHITE
MATERIAL	ALUMINUM ALLOY
TIRE SIZE	10"
TIRE TYPE	AIR TIRE
TOP SPEED	35KM/H
NET WEIGHT	16KG
UNFOLDED SIZE	1150*500*1180mm
FOLDED SIZE	1030*200*380mm
PEDAL WIDTH	18CM
VOLTAGE	48V
BATTERY	ENVIRONMENTAL LITHIUM BATTERY
BATTERY CAPACITY	13AH
MOTOR	DC BRUSHLESS TOOTHLESS MOTOR
POWER	500W
INPUT VOLTAGE	AC110-220V
CHARGING TIME	4~5H

## PART 2: ASSEMBLY & SETUP

### 2.1 LCD Screen

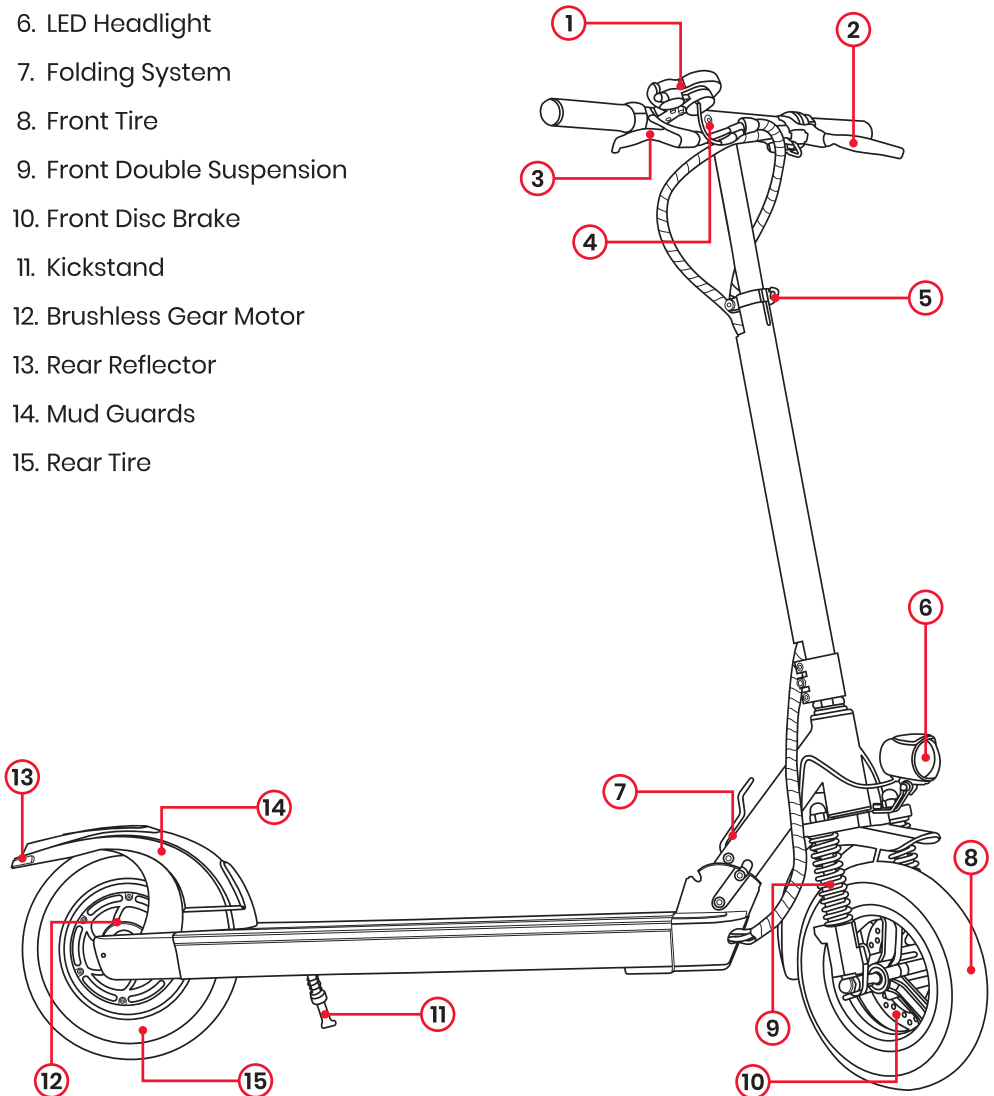


1. On/Off Switch
2. Gear Switch
3. USB Indicator
4. Power Indicator
5. Total Trip Mileage
6. Single Trip Mileage
7. Brake Display
8. Cruise Control
9. Headlight Indicator
10. Gear Indicator
11. Speed Indicator

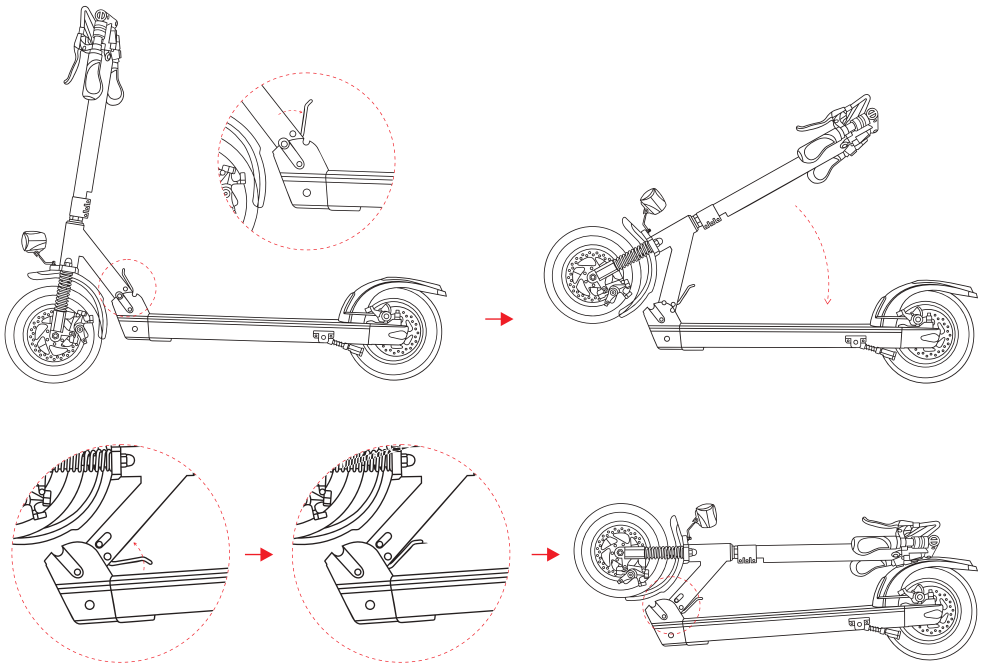


## 2.2 Scooter Diagram

1. LCD Display
2. Rear Brake
3. Front Brake
4. Foldable Handlebar
5. Height Adjustment
6. LED Headlight
7. Folding System
8. Front Tire
9. Front Double Suspension
10. Front Disc Brake
11. Kickstand
12. Brushless Gear Motor
13. Rear Reflector
14. Mud Guards
15. Rear Tire

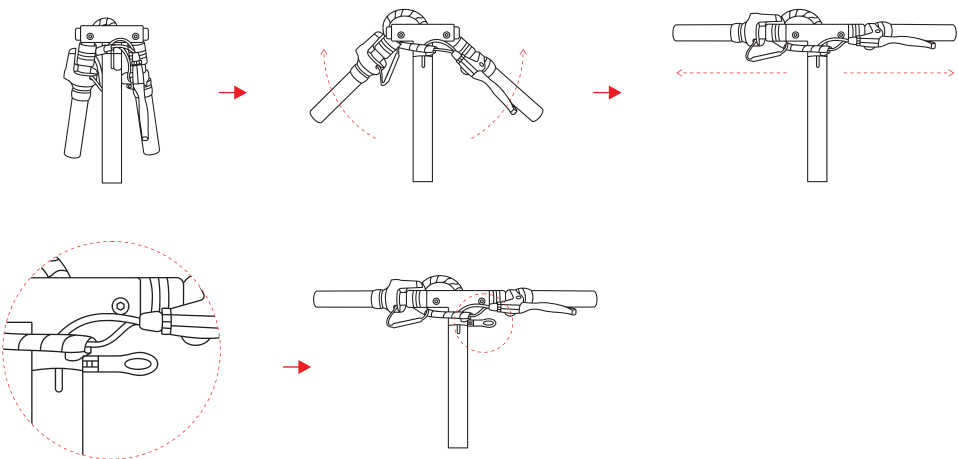


## 2.3 Folding and Unfolding



*Note: The card slot must be in place*

Follow the steps below to open and lock the handlebars in place.



## **PART 3: MAINTENANCE TIPS**

### **3.1 Maintenance**

1. Please make sure the tire pressure is 40 psi or properly inflated to the manufacturer's recommended tire pressure.
2. Fully charge the battery before storing the scooter. Fully charge and discharge battery every two months if the scooter will be unused for a long period of time.
3. Form a good habit to charge the battery everyday in order to guarantee longer battery life.
4. Check if screws of the front and back wheels are tightened completely.
5. Do not wash or spray down using water hose in order to avoid damaging inner parts of circuitry.
6. Use a neutral cleaner to wipe the scooter surface softly, then wipe with a dry clean cloth.
7. Do not inject oil on disc, brake or rim.

### **3.2 Battery & Charger Use & Care**

#### **Battery**

1. Keep away from fire and flammable, explosive and corrosive gas.
2. Do not dismount the battery arbitrarily in order to avoid damaging inner parts.
3. Do not damage the label on the battery to avoid losing manufacturer warranty.
4. Use only the manufacturer's battery which can be purchased from

**HORWIN**

#### **Charger**

1. Use **ONLY** with the recommended charger. The charger supplied with the scooter should be regularly examined for damage to the cord, plug, enclosure and other parts. In the event of such damage, the electric scooter must not be charged until it has been repaired or replaced.
2. Charge the battery fully before initial use.
3. The charger contains high-voltage circuit, don't dismount arbitrarily.
4. Use the charger in a dry & ventilated environment.
5. Do not operate charger near flammable materials.
6. Unplug charger and disconnect from scooter when not in use.
7. Always disconnect scooter from the charger prior to wiping down and cleaning your scooter with liquid.

8. Charge in safe place where children can't reach.

## **PART 5: WARRANTY**

### **HORWIN GT Slider Limited Warranty**

The manufacturer warrants this product to be free of manufacturing defects for a period of one year from date of purchase. This Limited Warranty does not cover normal wear and tear, tires, tubes or cables, or any damage, failure or loss caused by improper assembly, maintenance, or storage or use of the GT Slider. The Limited Warranty will be void if the product is ever modified in any way.

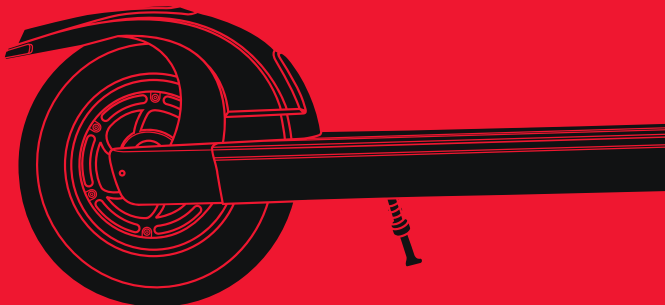
The manufacturer is not liable for incidental or consequential loss or damage due directly or indirectly to the use of this product.

### **Need help?**

Contact our Customer Service Team at  
**[service@horwinglobal.com](mailto:service@horwinglobal.com)**



**HORWIN**



<https://www.motorcycle-manual.com/>