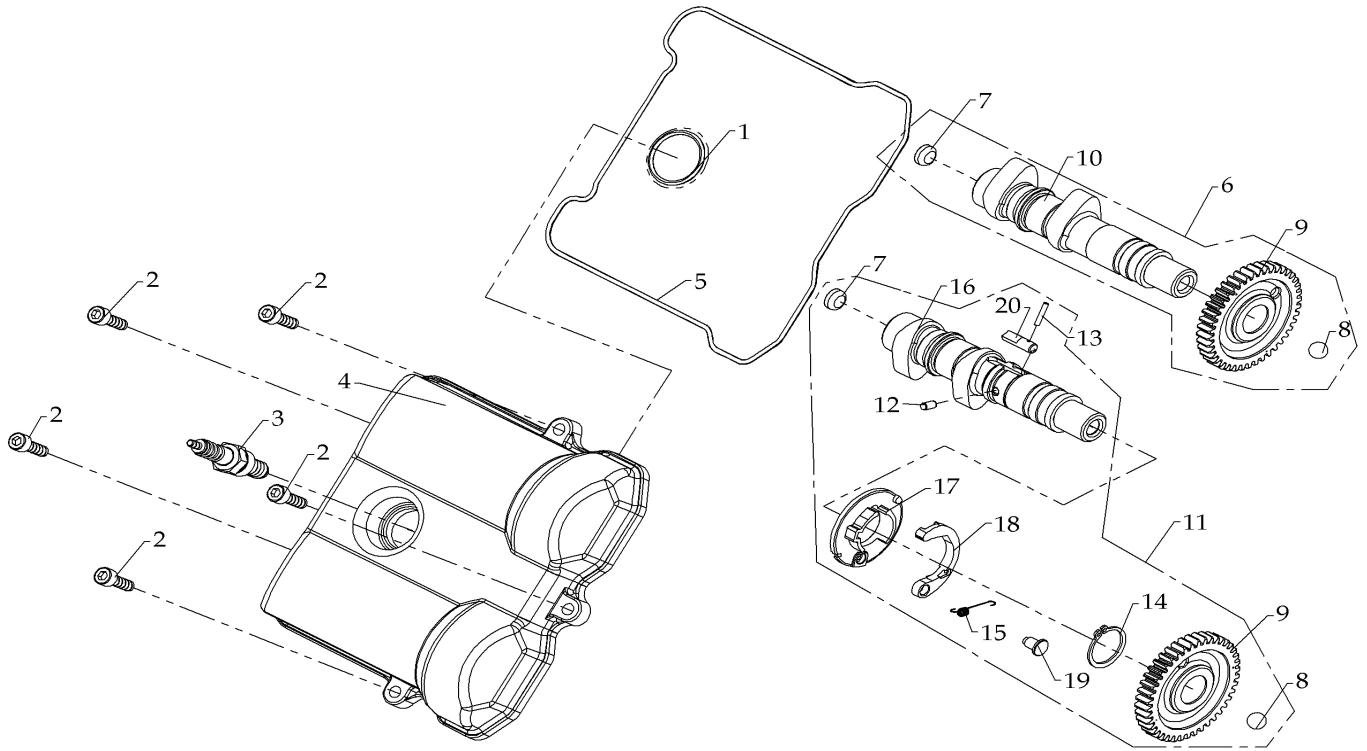
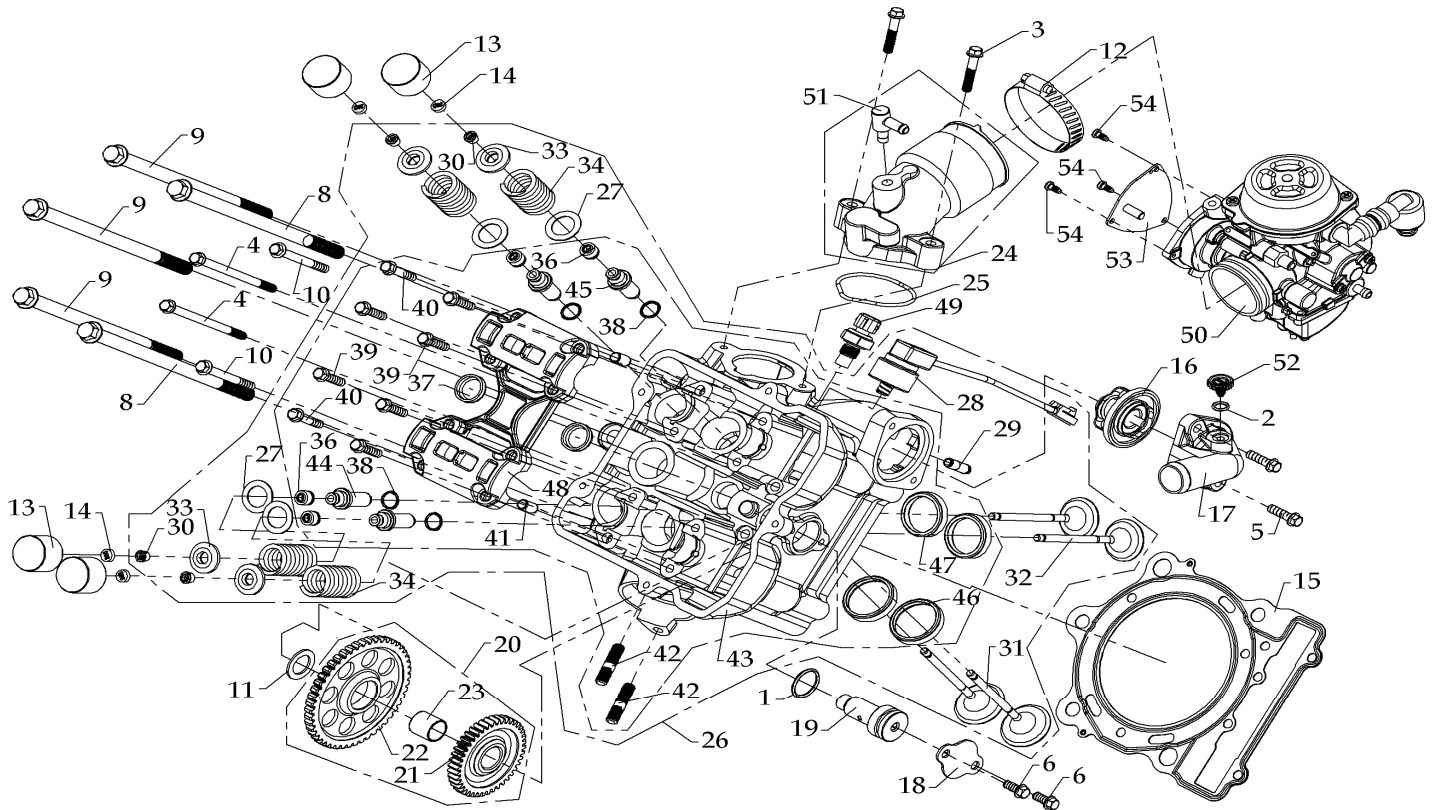


CYLINDER HEAD COVER & CAMSHAFT



Item	Part no	Description	Specification	Q'ty
1	A040050-00	O RING	Ø27.8XØ2.4	1
2	A050053-41	HEX SOCKET BOLT	M8X1.25X20L	5
3	A160011-00	STARK PLUG	NGK-CR6E	1
4	E150009-01	CYLINDER HEAD COVER	GRAY,PANTONE 432U	1
5	E150123-00	GASKET		1
6	E150143-00	CAMSHIFT ASSY.		1
7	A030047-42	CAP	Ø12	2
8	A150001-00	BALL,BEARING	Ø9.525	2
9	E150132-00	GEAR, CAMSHAFT	42T	2
10	E150139-00	CAMSHAFT IN		1
11	E150144A00	CAMSHIFT ASSY.		1
12	A070044-00	PIN	Ø4X8L	1
13	A070045-00	PIN , NEEDLE ROLLER	F2.5X13.8	1
14	A100034-43	CIRCLIP,C TYPE	Ø23	1
15	A110058-00	SPRING		1
16	E150142-00	CAMSHAFT EX		1
17	E150192-00	BODY,DECOMPRESSOR		1
18	E150191-00	ARM,DECOMPRESSOR		1
19	E150149A00	PIN		1
20	E150150-00	PIN		1

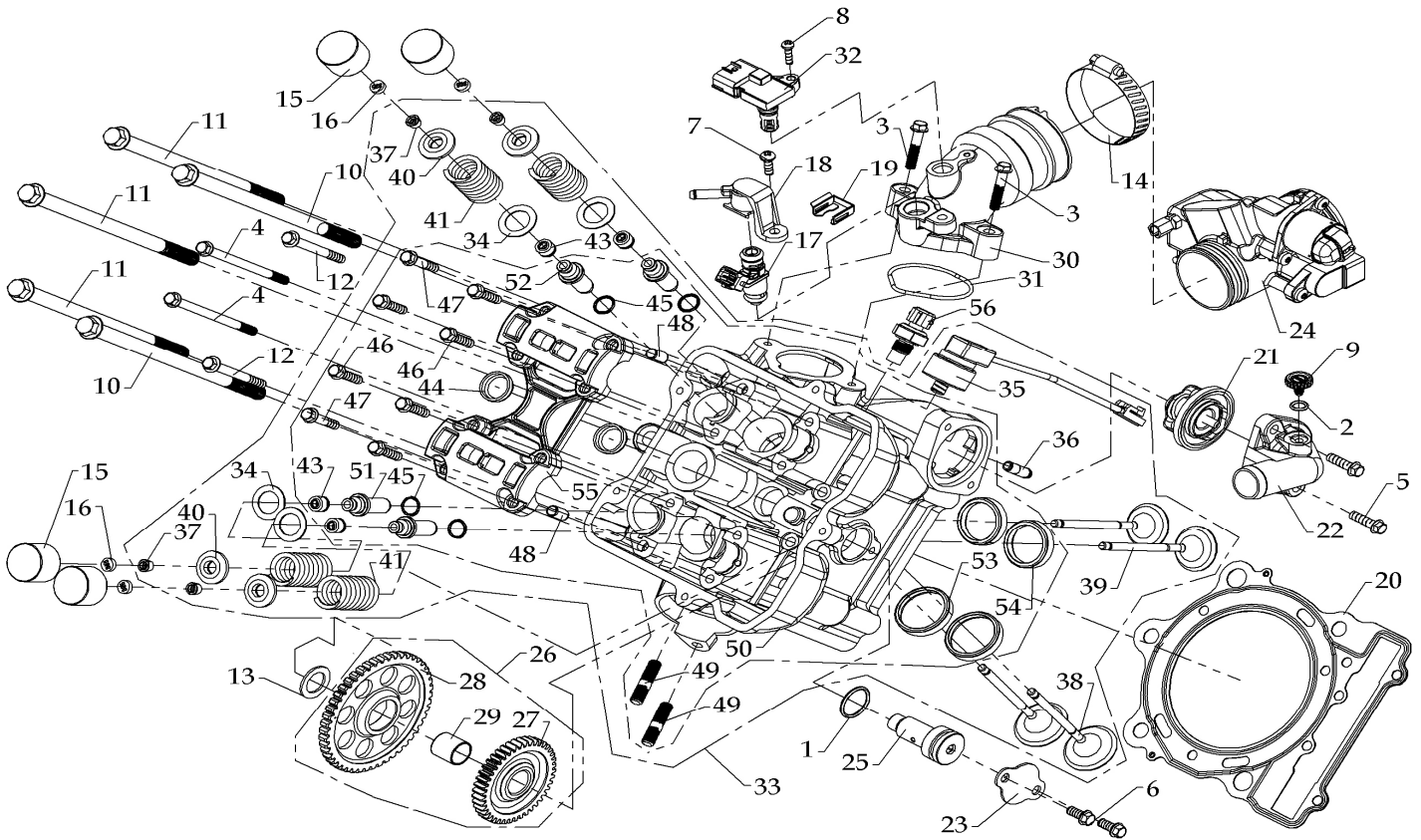
CYLINDER HEAD(CARBURETOR)



Item	Part no	Description	Specification	Q'ty
1	A040049-01	O RING	Ø21XØ2 (VITON)	1
2	A040039-00	O RING	P8-7.8x1.9	1
3	A050124-41	HEX WASHER FACE BOLT	M6X1.0X32L	2
4	A050126-41	HEXAGONAL FLANGE BOLT	M6x1.0X95L	2
5	A050131-41	HEXAGONAL FLANGE BOLT	M6x1.0X22L	2
6	A050137-41	HEXAGONAL FLANGE BOLT	M6X1.0X14L	2
7	A050241-56	BOLT,AIR RELIE	M6x1.0	1
8	A050240-00	HEXAGONAL FLANGE BOLT	M10X1.25X200L-12T	2
9	A050244-00	HEXAGONAL FLANGE BOLT	M10X1.25X190L-12T	3
10	A050248-41	HEXAGONAL FLANGE BOLT	M6x1.0x60L	2
11	A080121-00	SPACER	Ø16.2XØ25X1.5t	1
12	A220047-00	ZEBRA HOSE CLAMPS	40-64x12.7	1
13	E150004-02	TAPPET		4
14	E150005-XX	SHIM TAPPET		4
15	E150012-00	CYLINDER HEAD COMP		1
16	E150119-00	THERMOSTAT,WATER	Ø48.5XØ25X82°C	1
17	E150122-00	COVER,THERMOSTAT		1
18	E150126-41	COVER		1
19	E150133-00	24T		1
20	E150134-00	DRIVER GEAR,TIMING CHAIN ASSY		1
21	E150131-00	TIMING GEAR	42T	1
22	E150048-00	DRIVER GEAR,TIMING CHAIN	48T	1
23	A020013-00	BAERING	Ø15.9xØ18x18	1
24	E150174-00	CONNCTOR,CARBURETOR		1
25	E150138-00	GASKET		1
26	E150166-00	CYLINDER HEAD & VALVE ASSY"		1

27	A090044-00	WASHER	Ø16.6XØ25.5X0.8	4
28	A190116-00	SUBHARNASS ASSY		1
29	A220049-42	UNION, HOSE		1
30	E130083-00	VALVE KEEPER		8
31	E150002-00	INTAKE VALVE		2
32	E150003-00	EXHAUST VALVE		2
33	E150008-00	RETAINER, VALVE SPRING		4
34	E150027-00	VALVE SPRING		4
35	E150181-00			1
36	A030025-01	SEAL, VALVE STEM	Ø5.5,VITON	4
37	A030041-42	CAP		2
38	A040025-01	O RING	S12X1.5,VITON	4
39	A050121-41	HEXAGONAL FLANGE BOLT	M6x1.0X25L	6
40	A050122-41	HEXAGONAL FLANGE BOLT	M6X1.0X30L	2
41	A070018-00	DOWEL PIN	Ø8x14L	2
42	A140015-00	STUD BOLT	M8X1.25X35L	2
43	E150011-01	CYLINDER HEAD COMP	GRAY,PANTONE 432U	1
44	E150015-00	GUIDE,EX. VALVE		2
45	E150031-00	GUIDE,IN. VALVE		2
46	E150050-00	SEAT,INTAKE VALAE		2
47	E150129-00	SEAT,EXHAUST VALVE	EH-8	2
48	E150151-00	COVER, CAMSHAFT		1
49	E150169-00	COOLANT TEMPERATURE		1
50	E150167-00	CARBURETOR	Ø42	1
51	A220054-41	BREATHHER TUBE CONNECTOR		1
52	A050241-56	BOLT,AIR RELIE	M6x1.0	1
53	A230312-41	CARBURETOR,PLATE		1
54	A050281-00	SPECIAL HEAD SCREW		3

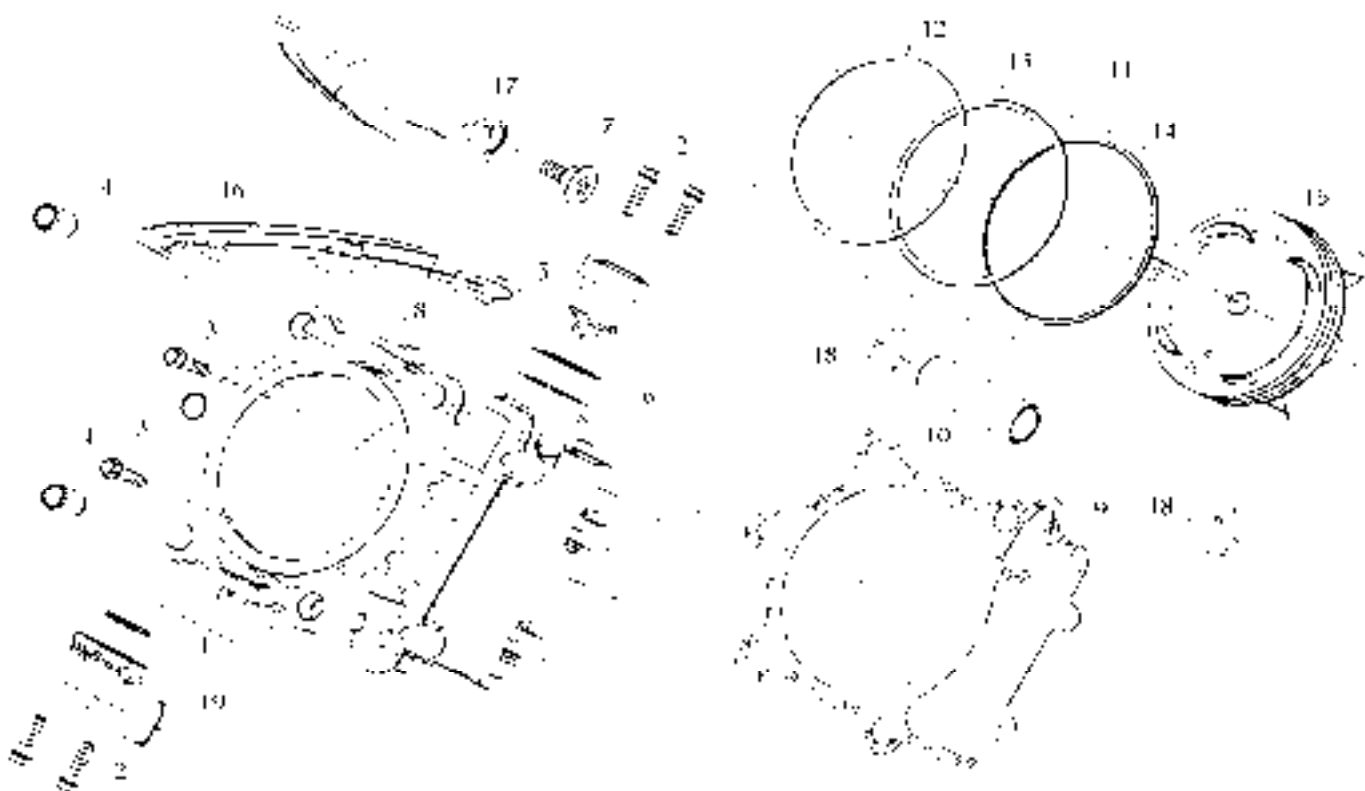
CYLINDER HEAD (E.F.I)



Item	Part no	Description	Specification	Q'ty
1	A040049-01	O RING	Ø21XØ2 (VITON)	1
2	A040039-00	O RING	P8-7.8x1.9	1
3	A050124-41	HEX WASHER FACE BOLT	M6X1.0X32L	2
4	A050126-41	HEXAGONAL FLANGE BOLT	M6x1.0X95L	2
5	A050131-41	HEXAGONAL FLANGE BOLT	M6x1.0X22L	2
6	A050137-41	HEXAGONAL FLANGE BOLT	M6X1.0X14L	2
7	A050156-41	PANHEAD SCREW & SPRING WASHER	M6x1.0x16L	1
8	A050173-43	SCREW	M4x0.7x16L	1
9	A050241-56	BOLT,AIR RELIE	M6x1.0	1
10	A050240-00	HEXAGONAL FLANGE BOLT	M10X1.25X200L-12T	2
11	A050244-00	HEXAGONAL FLANGE BOLT	M10X1.25X190L-12T	3
12	A050248-41	HEXAGONAL FLANGE BOLT	M6x1.0x60L	2
13	A080121-00	SPACER	Ø16.2XØ25X1.5t	1
14	A220047-00	ZEBRA HOSE CLAMPS	40-64x12.7	1
15	E150004-02	TAPPET		4
16	E150005-XX	SHIM TAPPET		4
17	E150010-00	PLUG,OIL		1
18	E150136-00	CAP,OIL JET		1
19	E150137-00	CLIP,OIL JET		1
20	E150012-00	CYLINDER HEAD COMP		1
21	E150119-00	THERMOSTAT,WATER	Ø48.5XØ25X82°C	1
22	E150122-00	COVER,THERMOSTAT		1
23	E150126-41	COVER		1
24	E150130-00	BODY,THROTTLE	Ø42	1
25	E150133-00	DRIVER GEAR,TIMING CHAIN		1
26	E150134-00	DRIVER GEAR,TIMING CHAIN ASSY		1

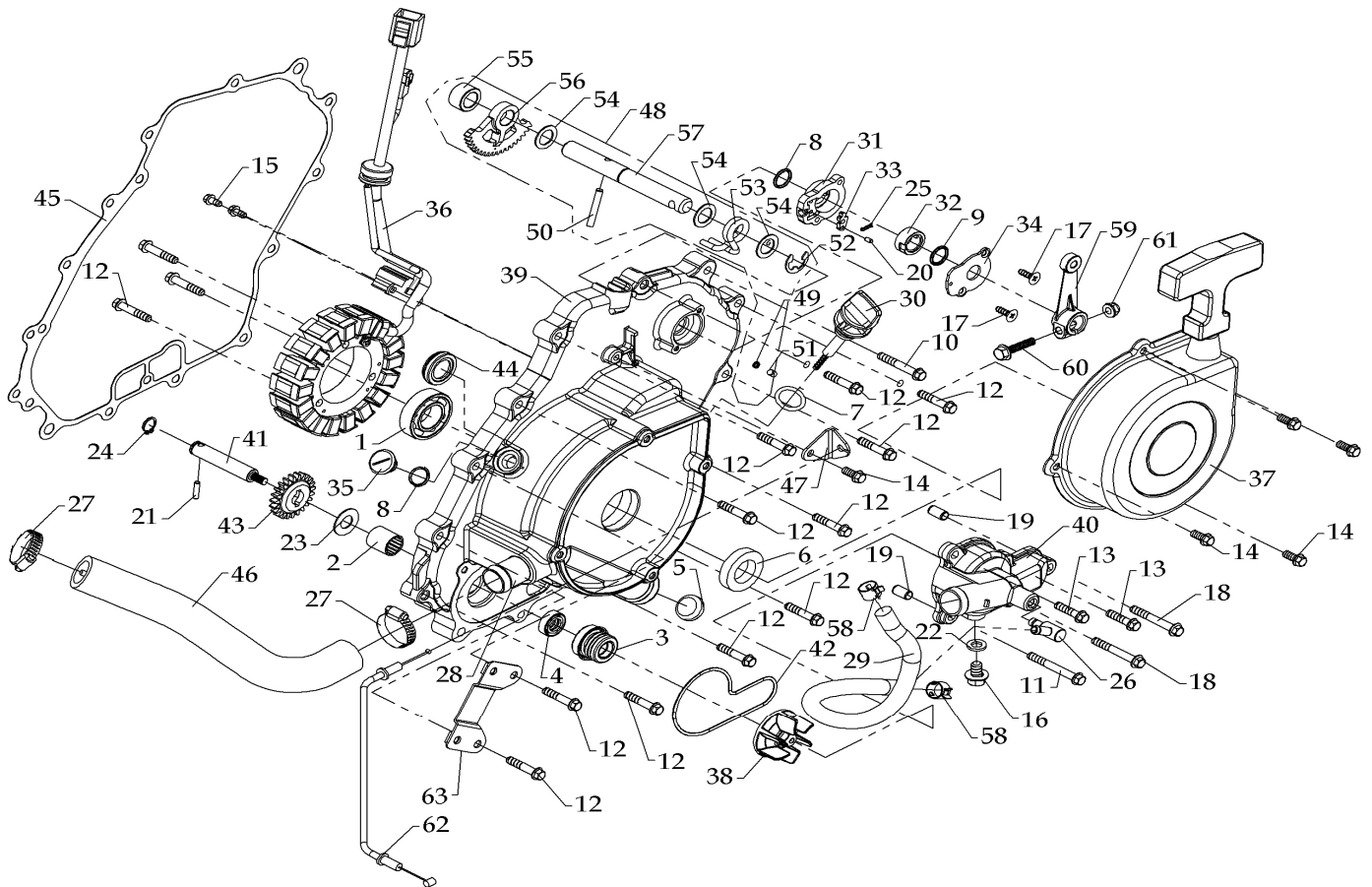
27	E150131-00	TIMING GEAR	42T	1
28	E150048-00	DRIVER GEAR,TIMING CHAIN	48T	1
29	A020013-00	BAERING	Ø15.9xØ18x18	1
30	E150135-00	CONNECTOR,THROTTLE		1
31	E150138-00	GASKET		1
32	E150141-00	T-MAP SENEER		1
33	E150166-00	CYLINDER HEAD & VALVE ASSY"		1
34	A090044-00	WASHER	Ø16.6XØ25.5X0.8	4
35	A190116-00	SUBHARNESS ASSY		1
36	A220049-42	UNION, HOSE		1
37	E130083-00	VALVE KEEPER		8
38	E150002-00	INTAKE VALVE		2
39	E150003-00	EXHAUST VALVE		2
40	E150008-00	RETAINER, VALVE SPRING		4
41	E150027-00	VALVE SPRING		4
42	E150181-00	CYLINDER HEAD ASSY"		1
43	A030025-01	SEAL, VALVE STEM	Ø5.5,VITON	4
44	A030041-42	CAP		2
45	A040025-01	O RING	S12X1.5,VITON	4
46	A050121-41	HEXAGONAL FLANGE BOLT	M6x1.0X25L	6
47	A050122-41	HEXAGONAL FLANGE BOLT	M6X1.0X30L	2
48	A070018-00	DOWEL PIN	Ø8x14L	2
49	A140015-00	STUD BOLT	M8X1.25X35L	2
50	E150011-01	CYLINDER HEAD COMP	GRAY,PANTONE 432U	1
51	E150015-00	GUIDE,EX. VALVE		2
52	E150031-00	GUIDE,IN. VALVE		2
53	E150050-00	SEAT,INTAKE VALAE		2
54	E150129-00	SEAT,EXHAUST VALVE	EH-8	2
55	E150151-00	COVER, CAMSHAFT		1
56	E150169-00	COOLANT TEMPERATURE		1

CYLINDER



Item	Part no	Description	Specification	Q'ty
1	A040049-01	O RING	Ø21XØ2 (VITON)	1
2	A050131-41	HEXAGONAL FLANGE BOLT	M6x1.0X22L	4
3	A050138-41	HEX WASHER FACE BOLT	M6X1.0X28L	2
4	A070047-00	DOWEL PIN	Ø10.5XØ14X20L	2
5	E020065-00	CAM CHAIN TENSIONER		1
6	E020066-00	GASKET, TENSIONER LIFTER		1
7	E130093-00	PIVOT,CHAIN TENSIONER		1
8	E150013-01	CYLINDER COMP	01-A CLASS	1
*	E150013-02	CYLINDER COMP	02-B CLASS	1
*	E150013-03	CYLINDER COMP	01-A CLASS,GRAY,PAN	1
*	E150013-04	CYLINDER COMP	02-B CLASS,GRAY,PAN	1
9	E150014-00	GASKET, CYLINDER		1
10	E150019-00	PISTON PIN		1
11	E150023-00	RING SET, PISTON (STD.)		1
12	E150023-01	RING, PISTON (STD.)	TOP	1
13	E150023-02	RING,PISTON (STD.)	2ND	1
14	E150023-03	OIL RING		1
15	E150022-01	PISTON (STD.)	01-A CLASS	1
*	E150022-02	PISTON (STD.)	02-B CLASS	1
16	E150029-00	GUIDE,TIMING CHAIN		1
17	E150030-00	TENSIONER,TIMING CHAIN		1
18	E150079-00	INTERNAL CIRCLIP	Ø23	2
19	E150086-01	UNION,WATER HOSE	GRAY,PANTONE 432U	1

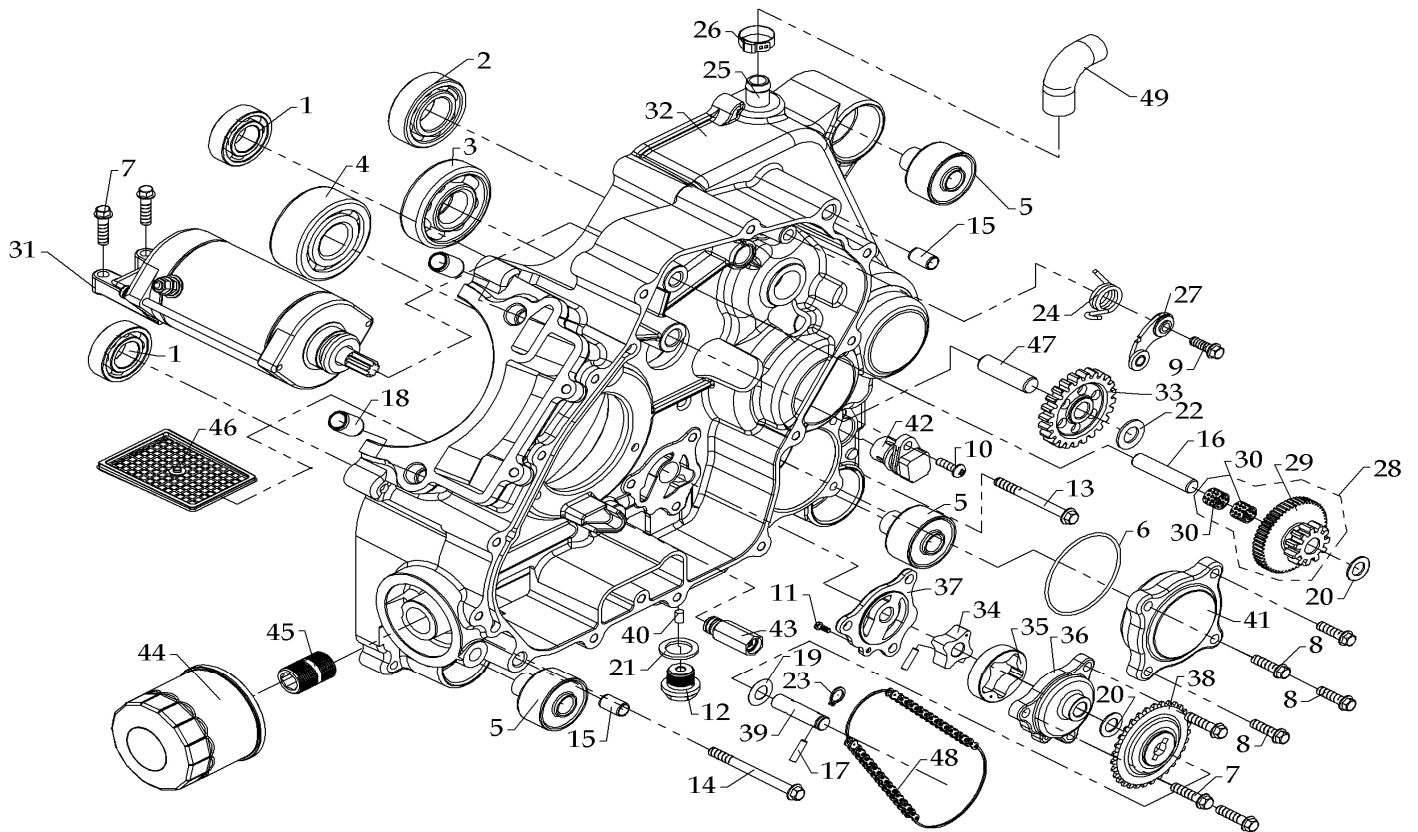
CRANKCASE



Item	Part no	Description	Specification	Q'ty
1	A010077-00	DEEP-GROOVE BALL BEARING	60/22	1
2	A010078-00	NEEDLE ROLLER BEARING	HMK1220	1
3	A030032-00	MECHANICAL SEAL COMPL	EH790	1
4	A030027-00	OIL SEAL	TC12x22x7t	1
5	A030041-42	CAP		1
6	A030046-00	OIL SEAL	TC 22x38x8	1
7	A040020-00	O RING	Ø18XØ3	1
8	A040005-00	O RING	P14	2
9	A040024-00	O RING	S14	1
10	A050069-41	HEXAGONAL FLANGE BOLT	M6X1.0X40L	1
11	A050070-41	HEXAGONAL FLANGE BOLT	M6X1.0X50L	1
12	A050122-41	HEXAGONAL FLANGE BOLT	M6X1.0X30L	14
13	A050121-41	HEXAGONAL FLANGE BOLT	M6x1.0X25L	2
14	A050137-41	HEXAGONAL FLANGE BOLT	M6X1.0X14L	5
15	A050149-41	HEXAGONAL FLANGE BOLT	M5X0.8X12L	2
16	A050169-41	HEXAGONAL FLANGE BOLT	M8x1.25x12L	1
17	A050175-41	MACHINE SCREW	M4x0.7x15L	2
18	A050249-41	HEXAGONAL FLANGE BOLT	M6x1.0x45L	2
19	A070018-00	DOWEL PIN	Ø8x14L	2
20	A070030-00	PIN	Ø3x6L	1
21	A070041-00	PIN , NEEDLE ROLLER	Ø4X15.8L	1
22	A080120-00	SPACER	Ø8.2XØ14.5X2t	1
23	A090043-00	WASHER	Ø12.2XØ25X1t	1
24	A100023-43	CIRCLIP,C TYPE	Ø12	1
25	A110032-41	SPRING,COMPRESSION	Ø3x10L	1
26	A220054-41	BREATHER TUBE CONNECTOR		1

27	A220048-00	ZEBRA HOSE CLAMPS	19-38x8.0	2
28	A220043-41	UNION,WATER HOSE		1
29	A220052-00	TUBE	Ø7.3XØ13.5X400L	1
30	E020074-00	OIL LEVEL GAUGE		1
31	E130060-00	REVERS SWITCH DEVICE		1
32	E130061-00	RATCH		1
33	E130062-00	STOPPER		1
34	E130063-00	COVER		1
35	E130104-00	TIMING SCREEN COVER		1
36	E150084A00	STATOR ASSY,MAGNETO		1
37	E150108-00	STARTER ASSY,RECOIL		1
38	E150109-00	IMPELLER		1
39	E150110-01	COVER, L.	GRAY,PANTONE 432U	1
40	E150111-01	COVER,VANE PUMP	GRAY,PANTONE 432U	1
41	E150113-00	SHAFT,VANE PUMP		1
42	E150114-00	SEAL,VANE PUMP		1
43	E150115-00	GEAR,VANE PUMP		1
44	E150120-00	GAUGE,LEVEL	Ø30X12.8	1
45	E150124-00	GASKET, L. COVER		1
46	E150128-00	PIPE,COOLING		1
47	E150154-00	HOLDER,WIRE		1
48	E150156A00	GEARSHTFT SHAFT ASSY.		1
49	A040032-00	O RING	S3□	1
50	A070026-00	PIN	Ø5X35L	1
51	A070036-00	PIN	Ø5X6.67L	1
52	A100020-00	RETAINING RINGS E TYPE	Ø12	1
53	A110065-00	TORSION SPRING		1
54	A080005-41	SPACER	Ø14.2xØ22x1t	3
55	A090038-00	SPACER	Ø14XØ22X12.5L	1
56	E150100A00	GEAR, GEARSHIFT		1
57	E150155A00	SHAFT, GEARSHIFT		1
58	F020196-00	CLAMP	12X0.8	2
59	E150162-00	LEVER , GEAR SHIFT		1
60	A050274-41	HEX WASHER FACE BOLT	M6X1.0X30L	1
61	A060053-41	HEX INSERT LOCK NUT	M6x1.0	1
62	F210062-00	REVERSE SWITCH CABLE		1
63	E150193-50	BRACKET		1

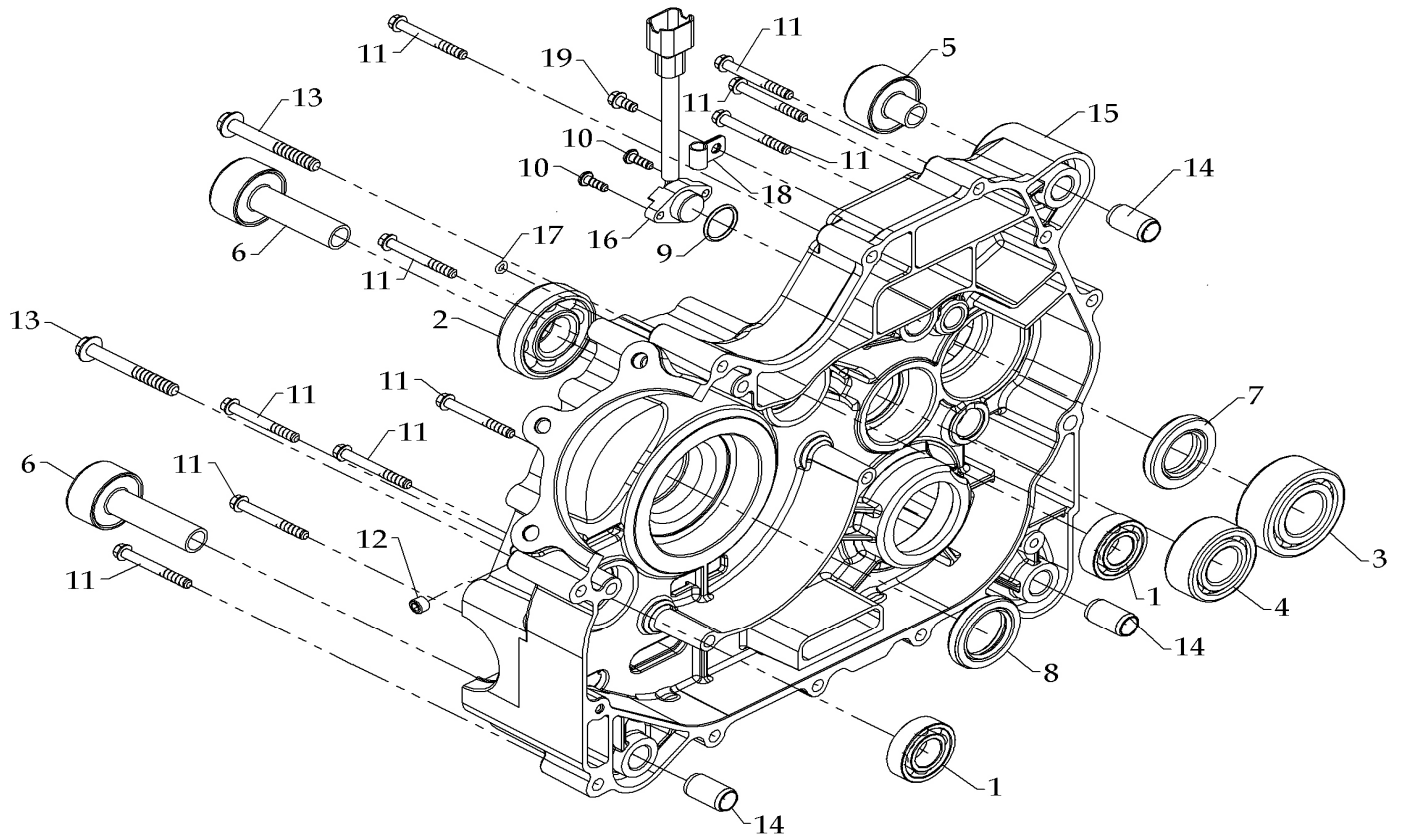
CRANKCASE L.



Item	Part no	Description	Specification	Q'ty
1	A010025-00	DEEP-GROOVE BALL BEARING	6004	2
2	A010045-00	DEEP-GROOVE BALL BEARING	6205	1
3	A010065-03	DEEP-GROOVE BALL BEARING	6305LU	1
4	A010071-00	BALL BEARING	5305;Ø25XØ62X25.4t	1
5	A020012-00	BUSH,ENG MTG		3
6	A040047-00	O RING	Ø59X2.0	1
7	A050121-41	HEXAGONAL FLANGE BOLT	M6x1.0X25L	5
8	A050131-41	HEXAGONAL FLANGE BOLT	M6x1.0X22L	4
9	A050132-41	HEXAGONAL FLANGE BOLT	M6x1.0X18L	1
10	A050156-41	PANHEAD SCREW & SPRING WASHER	M6x1.0x16L	1
11	A050207-41	SCREW	M3x0.5x8L	1
12	A050243-41	BOLT,DRAIN	M16X1.5X13L-6T	1
13	A050248-41	HEXAGONAL FLANGE BOLT	M6x1.0x60L	1
14	A050250-41	HEXAGONAL FLANGE BOLT	M6x1.0x70L	1
15	A070019-00	DOWEL PIN	Ø10X16L	2
16	E150026-00	PIN,STARTER IDEL GEAR		1
17	A070041-00	PIN , NEEDLE ROLLER	Ø4X15.8L	2
18	A070047-00	DOWEL PIN	Ø10.5xØ14x20L	2
19	A080099-00	SPRING WASHER	Ø10.2XØ20X0.3t	1
20	A080114-00	SPACER	Ø10.2XØ18X1.0t	2
21	A080115-00	WASHER,DRAIN	Ø16.2XØ23.5X2.0t	1
22	A090042-00	WASHER	Ø12.2XØ22X1.5t	1
23	A100015-43	CIRCLIP,C TYPE	Ø10	1
24	A110063-00	TORSION SPRING		1
25	A220044-41	UNION, HOSE		1
26	A220045-41	CLAMP	18~20.8X7	1
27	E030001-00	STOPPER,SHIFT CAM		1
28	E130059-00	STARTER REDUCTION ASSY.		1

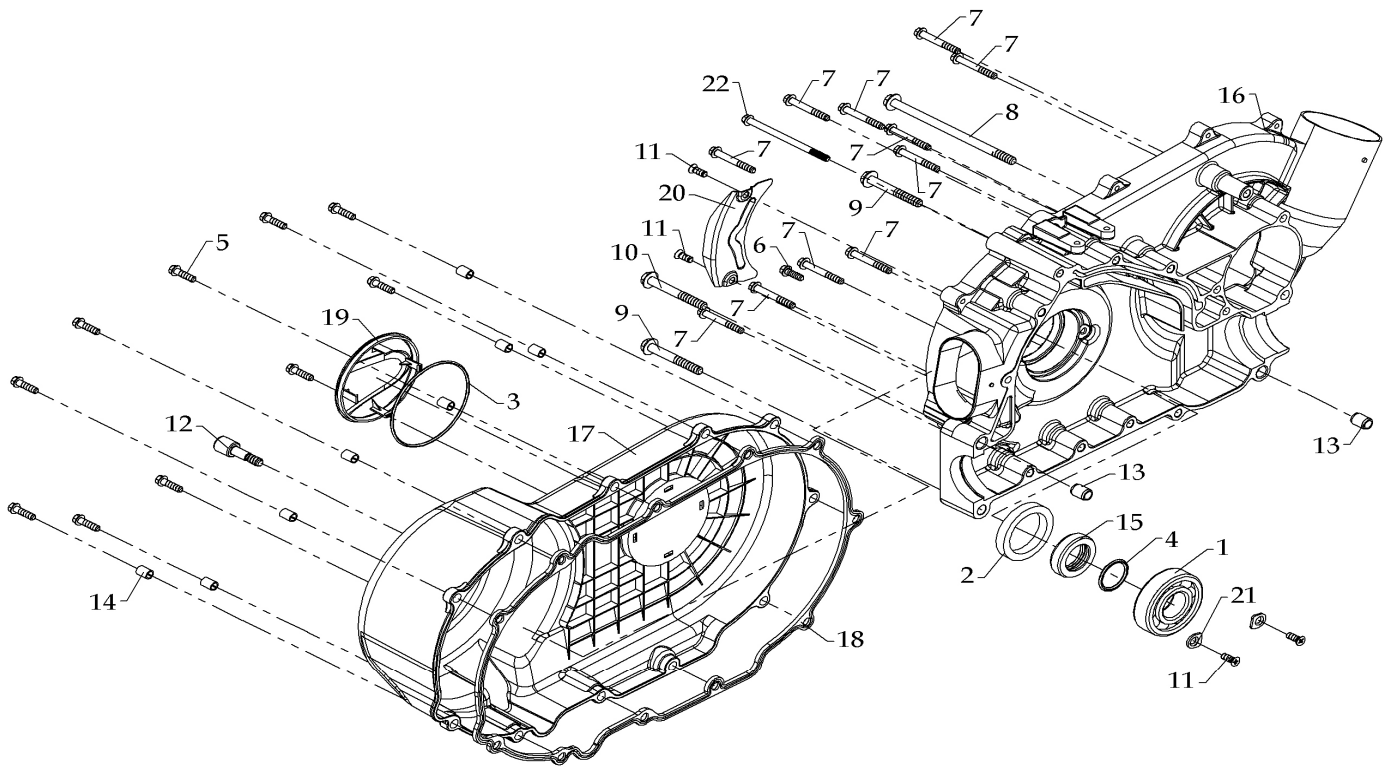
29	E130045-00	GEAR, STARTER REDUCTION		1
30	A020004-00	BUSH,BAERING	Ø10xØ12x10t	2
31	E150006-00	STARTER MOTOR ASSY.		1
32	E150016A01	CRANKCASE L.	GRAY,PANTONE 432U	1
33	E150025-00	GEAR,STARTER IDEL		1
34	E150089-00	INTERNAL ROTOR,OIL PUMP		1
35	E150090-00	EXTERNAT ROTOR,OIL PUMP		1
36	E150091-00	BUDY,OIL PUMP		1
37	E150093-00	COVER,OIL PUMP		1
38	E150094A00	SPROCKET,OIL PUMP DRIVEN		1
39	E150095-00	SHAFT,OIL PUMP		1
40	E150097-00	MAGNET	Ø5X8.5L	1
41	E150112-00	COVER,OUTPUT SHAFT		1
42	E150117-00	SENSOR,SPEED		1
43	E150118-00	VALVE,RELIEF	5KGXM12X1.25	1
44	E150121-00	FILTER,ENGINE OIL	Ø72XM20X1.5	1
45	E150127-44	UNION,WATER HOSE	M20X30.5L	1
46	E150146-00	STRAINER,ENGINE OIL		1
47	E150153-00	SHAFT,STARTER IDEL		1
48	E150165-00	CHAIN	60 LINKS	1
49	F210047-00	TUBE		1

CRANKCASE R.



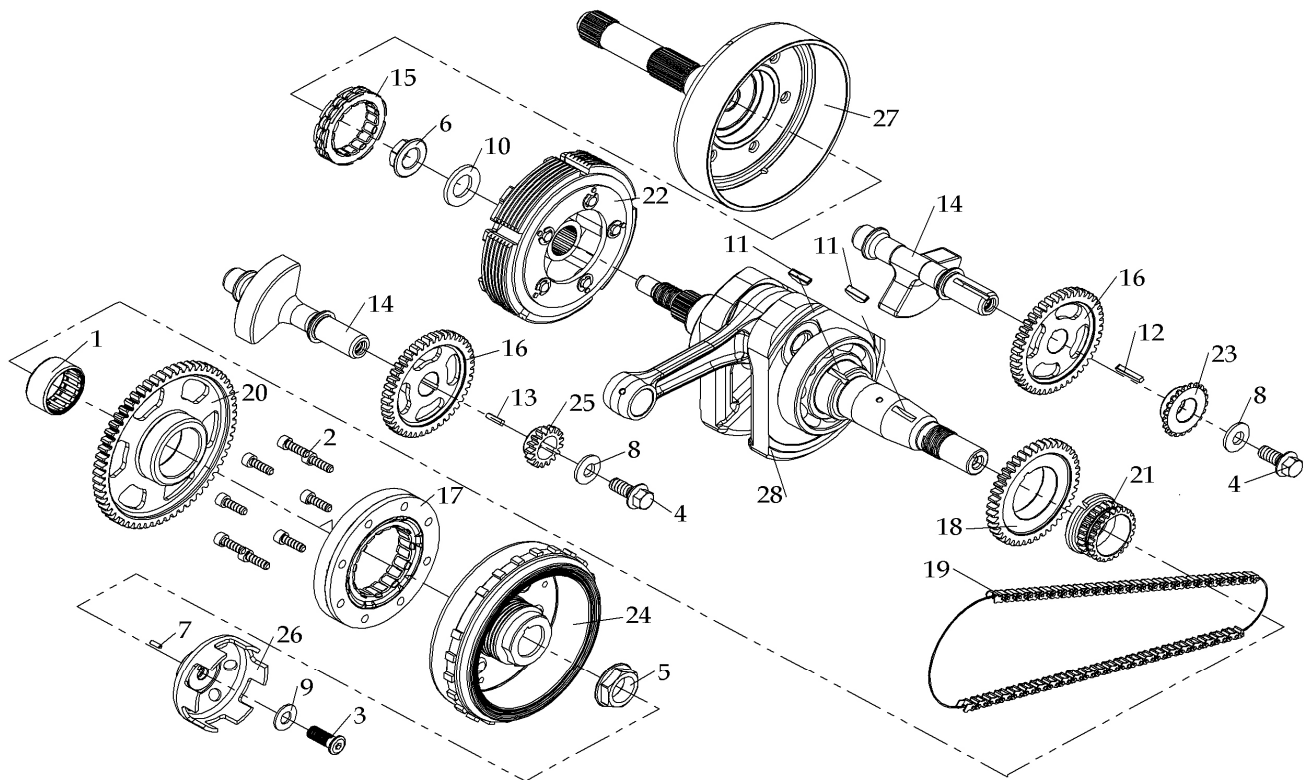
Item	Part no	Description	Specification	Q'ty
1	A010025-00	DEEP-GROOVE BALL BEARING	6004	2
2	A010038-00	DEEP-GROOVE BALL BEARING	6305	1
3	A010072-00	BALL BEARING	5206;Ø30XØ62X23.8t	1
4	A010070-03	BALL BEARING	5205LU	1
5	A020012-00	BUSH,ENG MTG		1
6	A020015-00	BUSH,ENG MTG		2
7	A030042-00	OIL SEAL	TB 30X50X8	1
8	A030043-00	OIL SEAL	TB 35X50X8	1
9	A040012-00	O RING	P21(Ø21xØ2.4)	1
10	A050035-41	SCREW	M5X1.0X14L	2
11	A050070-41	HEXAGONAL FLANGE BOLT	M6X1.0X50L	10
12	A050238-43	SCREW HEXAGONAL SOCKET	PT1/8	1
13	A050253-41	HEXAGONAL FLANGE BOLT	M8X1.25X65L	2
14	A070046-00	DOWEL PIN	Ø12.5xØ16x28L	3
15	E150017A01	CRANKCASE R.	GRAY,PANTONE 432U	1
16	E150107-00	INDICATOR,GEAR SHIFT		1
17	A040051-01	O RING	P5-Ø4.8XØ1.9	1
18	F150134-00	FIXED PLATE		1
19	A050129-41	HEXAGONAL FLANGE BOLT	M6X1.0X12L	1

RIGHT CRANKCASE COVER



Item	Part no	Description	Specification	Q'ty
01	A010068-00	DEEP-GROOVE BALL BEARING	63/28;Ø28XØ68X18t	1
02	A030050-00	OIL SEAL	TC45x60x9	1
03	A040046-00	O RING	Ø89.5xØ2.5	1
04	A040048-00	O RING	P28(Ø27.7XØ3.5)	1
05	A050131-41	HEXAGONAL FLANGE BOLT	M6x1.0X22L	10
06	A050132-41	HEXAGONAL FLANGE BOLT	M6x1.0X18L	1
07	A050249-41	HEXAGONAL FLANGE BOLT	M6x1.0x45L	11
08	A050251-41	HEXAGONAL FLANGE BOLT	M8x1.25x145L	1
09	A050252-41	HEXAGONAL FLANGE BOLT	M8x1.25x60L	2
10	A050253-41	HEXAGONAL FLANGE BOLT	M8x1.25x65L	1
11	A050255-41	HEXAGONAL FLANGE BOLT	M6x15L	4
12	A050257-42	BOLT,DRAIN	M8x1.25x13L	1
13	A070008-00	DOWEL PIN	Ø12x16l	2
14	A090036-41	BUSHING		10
15	E150072-00	SPACER		1
16	E150080A01	R.COVER,CRANKCASE	GRAY,PANTONE 432U	1
17	E150087-00	COVER, C.V.T.		1
18	E150088-00	SEAL,COVER C.V.T		1
19	E150092-00	PLATE,LOGO		1
20	E150145-00	PLATE		1
21	E150160-00	RETAINER,BEARING		2
22	A050126-41	HEXAGONAL FLANGE BOLT	M6x1.0X95L	1

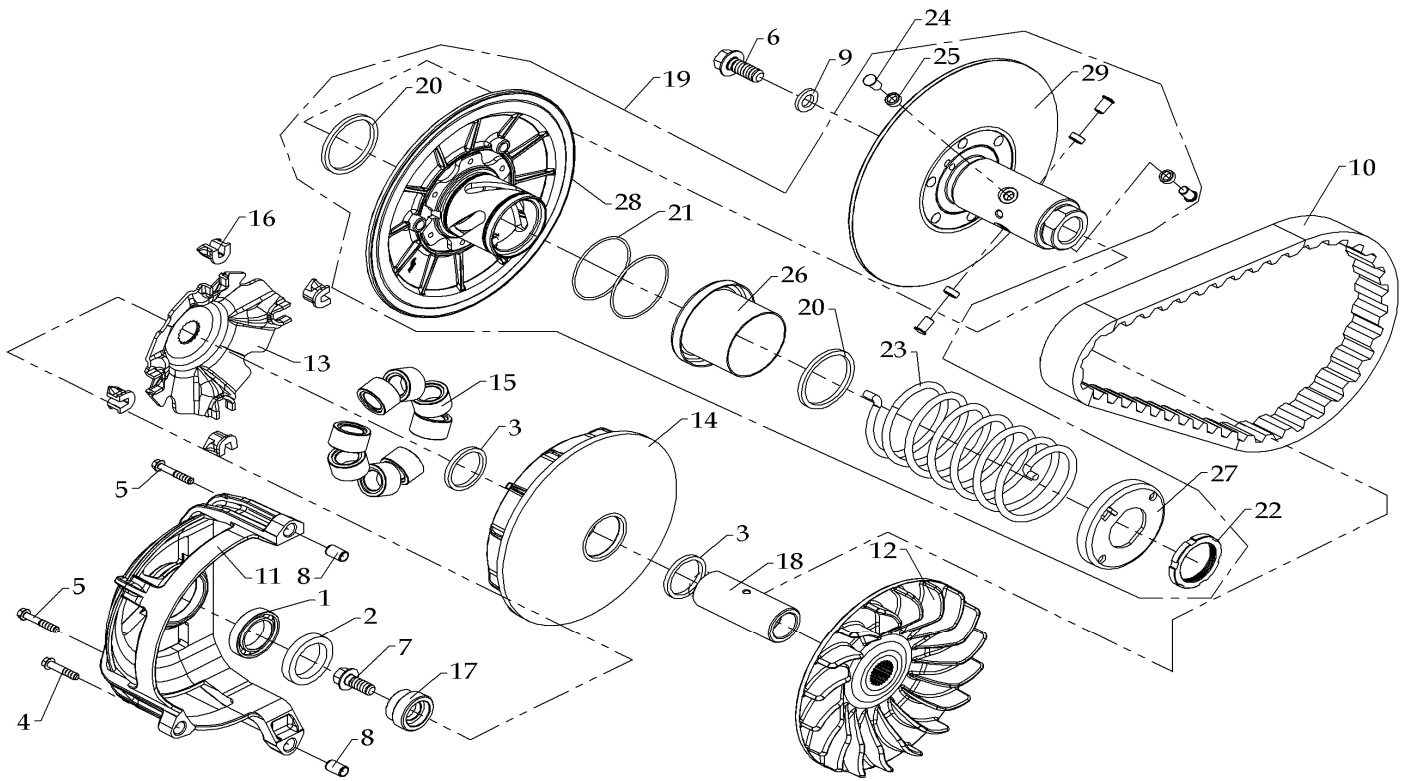
CRANKSHAFT



Item	Part no	Description	Specification	Q'ty
01	A010076-00	NEEDLE ROLLER BEARING	HK3520	1
02	A050053-41	HEX SOCKET BOLT	M6X1.0X20L	8
03	A050203A41	HEX SOCKET BOLT	M10X1.25X26L	1
04	A050246-41	HEXAGONAL FLANGE BOLT	M10x1.25x25L	2
05	A060071-41	FLANGE HEAX NUT	M24X1.5	1
06	A060077-41	FLANGE HEAX NUT	M18X1.5-LH	1
07	A070043-00	PIN , NEEDLE ROLLER	Ø3X9.8L	1
08	A080029-00	WASHER, CONICAL SPRING	Ø24xØ10.5	2
09	A080033-41	SPACER	Ø10.4xØ22x1.6	1
10	A080112-00	SPRING WASHER	Ø19XØ34X3t	1
11	A120005-00	KEY WOODRUFF	Ø22X5t	2
12	A120008-00	KEY	4X4X25	1
13	A120009-00	KEY	4X4X15	1
14	E150001-00	SHAFT, BALANCE		2
15	E150020-00	ONE WAY CLUTCH	45,848	1
16	E150021-00	GEAR, BALANCE		2
17	E150024-00	ONE WAY CLUTCH ASSY.		1
18	E150032-00	DRIVE GEAR, BALANCE SHAFT		1
19	E150037-00	CHAIN, TIMING	128 LINKS	1
20	E150046-00	GEAR, STARTER		1
21	E150047-00	DRIVER GEAR, TIMING CHAIN	24T	1
22	E150051-00	CLUTCH ASSY, SHOE		1
23	E150075-00	DRIVE SPROCKET OIL PUMP		1
24	E150083A00	ROTOR ASSY, MAGNETO	EFT	1
25	E150116-00	DRIVE GEAR, VANE PUMP		1
26	E150140-42	CUP, STARTER		1

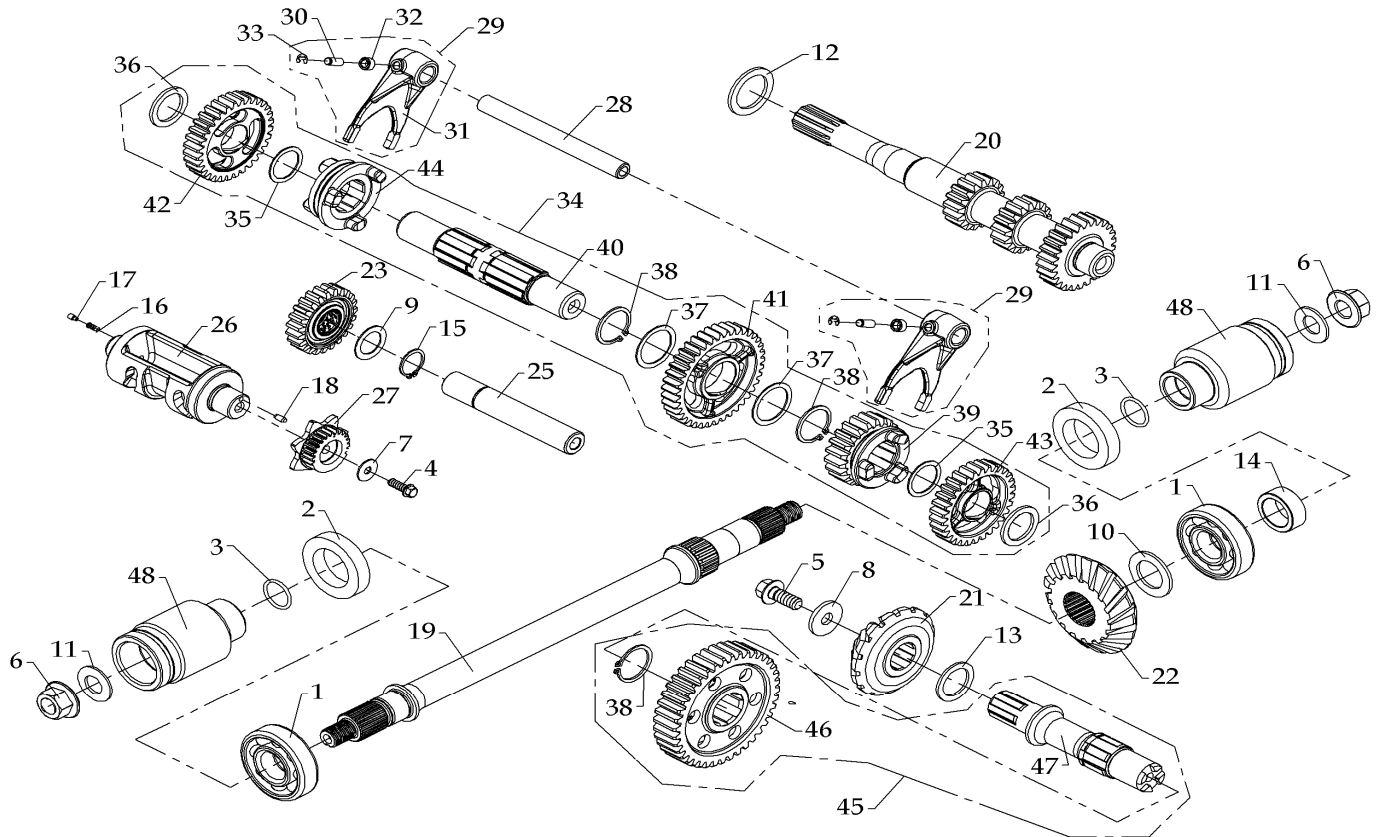
27	E150066-00	HOUSING,CLUTCH		1
28	E150076A00	CRANKSHAFT ASSY		1
29	A010073-00	NEEDLE ROLLER BEARING	Ø41XØ51X24.8t	1
30	A010067-03	DEEP-GROOVE BALL BEARING	6209LU	1
31	A010067-00	DEEP-GROOVE BALL BEARING	6209	1
32	A030040-42	CAP		1
33	A080113-00	SPACER	Ø41.2XØ61X1.0t	2
34	E150069A00	CRANKSHAFT, LEFT		1
35	E150070A00	CRANKSHAFT,RIGHT		1
36	E150073-00	PIN,CRANKSHAFT		1
37	E150074-00	CONNROD		1

C.V.T.



Item	Part no	Description	Specification	Q'ty
01	A010074-04	DEEP-GROOVE BALL BEARING	6906LLU;Ø30XØ47X9t	1
02	A030044-00	OIL SEAL	TC35X48X8	1
03	A030048-01	OIL SEAL	VBY Ø35XØ42X4	2
04	A050122-41	HEXAGONAL FLANGE BOLT	M6X1.0X30L	1
05	A050139-41	HEXAGONAL FLANGE BOLT	M6x1.0x35L	2
06	A050247-41	HEXAGONAL FLANGE BOLT	M12x1.25x30L	1
07	A050246-41	HEXAGONAL FLANGE BOLT	M10x1.25x25L	1
08	A070019-00	DOWEL PIN	Ø10X16L	2
09	A080060-41	SPACER	Ø12.5xØ30x3t	1
10	A170017-00	BELT,C.V.T		1
11	E150018-00	HOUSING,CVT BEARING		1
12	E150054-00	FACE, FIXED DRIVE		1
13	E150055-00	PLATE,MOVABLE DRIVE		1
14	E150067-00	FACE,MOVABLE DRIVE		1
15	E150077-00	ROLLER SET, WEIGHT		8
16	E150078-00	SLIDE PIECE		4
17	E150081-00	BUSHING		1
18	E150152-00	SPACER,MOVABLE DRIVE		1
19	E150158-00	GEARSHTFT SHAFT ASSY.		1
20	A030049-01	OIL SEAL	Ø50XØ58X4	2
21	A040047-00	O-RING	Ø59X2.0	2
22	A060073-42	NUT		1
23	A110055A00	SPRING,COMPRESSION		1
24	E150060-00	PIN		4
25	E150061-00	RING		4
26	E150062-42	SHEET,MOVABLE DRIVEN		1
27	E150063-42	HOLDER,MOVABLE DRIVEN		1
28	E150059-00	FACE,MOVABLE DRIVEN		1
29	E150157-00	FACE,FIXED DRIVEN		1

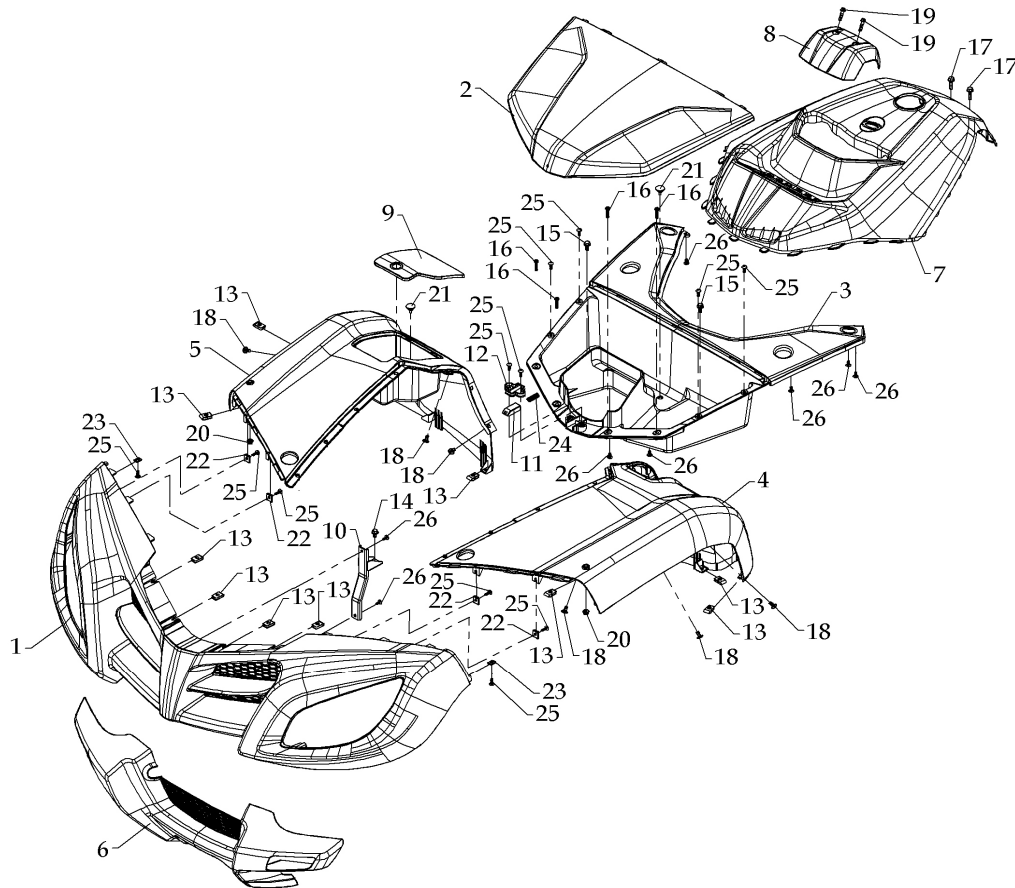
TRANSMISSION



Item	Part no	Description	Specification	Q'ty
01	A010065-03	DEEP-GROOVE BALL BEARING	6305LU	2
02	A030045-00	OIL SEAL	TC 55×35×11	2
03	A040040-00	O RING	P22(Ø2.4xØ21.8)	2
04	A050132-41	HEXAGONAL FLANGE BOLT	M6x1.0X18L	1
05	A050246-41	HEX WASHER FACE BOLT	M10x1.25x25L	1
06	A060076-00	FLANGE HEAX NUT	M16X1.5	2
07	A080026-41	SPACER	Ø19XØ6.5X1.2t	1
08	A080056-41	PLAIN WASHER	10.5X30X3t	1
09	A080116-00	SPACER	Ø20.2XØ30X1.0t	1
10	A080117-00	SPACER	Ø25.2XØ40X2.5t	1
11	A080123-00	SPRING WASHER		2
12	A090035-00	SPACER	Ø30.2XØ42X2.5t	1
13	A090040-00	SPACER	Ø25.2XØ35X2t	1
14	A090047-00	SPACER	Ø25.2XØ35X13.5L	1
15	A100010-00	CIRCLIP,C TYPE	Ø20	1
16	A110002-00	SPRING	0.35x4x8.5x10	1
17	E060023-00	SWITCH,indicator		1
18	E060024-00	DOWEL PIN	Ø4X9L	1
19	E150036A00	SHAFT,OUTPUT		1
20	E150039-00	MAIN SHAFT,INPUT		1
21	E150041-00	BEVEL GEAR, DRIVE		1
22	E150042-00	BEVEL GEAR,OUTPUT		1
23	E150044-01	SEMINAL		2
24	A020003-00	BUSH,BAERING	Ø20xØ23x12t	1
25	E150098-00	SHAFT,REVERSE		1
26	E150189A00	CAM DRUM,GERE SHIFT		1

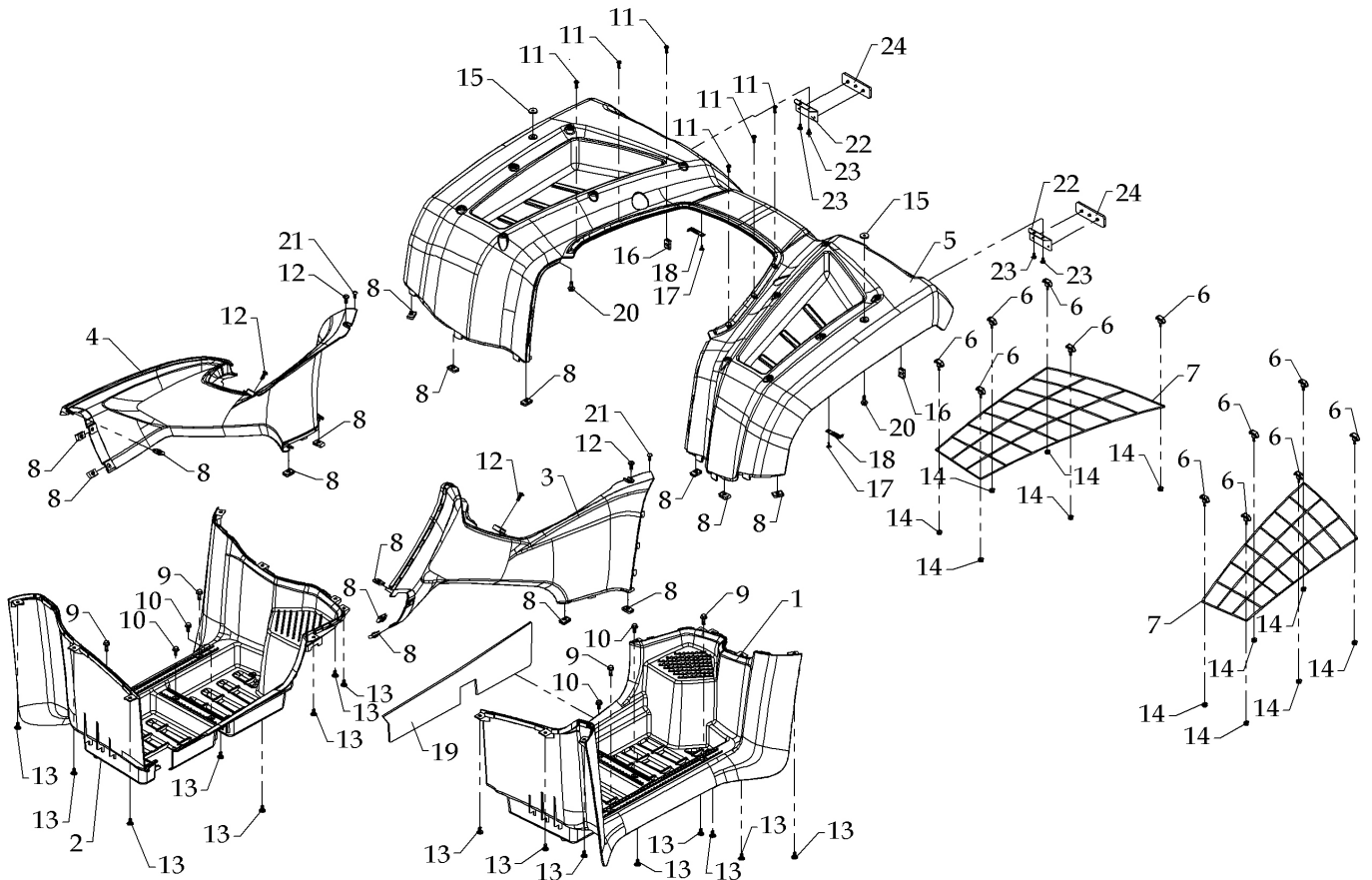
27	E150101A00	STOPER, GEAR SHIFT		1
28	E150103-00	SHAFT,FORK		1
29	E150106-01	FORK		1
30	E150105-00	PIN,FORK		2
31	E150106-01	FORK	SEMINAL	2
32	E150104-00	RING,FORK		2
33	A100024-43	RETAINING RINGS E TYPE	Ø4x0.6t	2
34	E150175A00	COUNTERSHAFT ASSY'		1
35	A090034-00	SPACER	Ø25.2XØ32X1.0t	2
36	A090039-00	SPACER	Ø25.2XØ35X2.5t	2
37	A090041-00	SPACER	Ø30.2XØ38X1t	2
38	A100021-43	CIRCLIP,C TYPE	Ø30	3
39	E150033A00	GEAR,COUNTER OUTPUT		1
40	E150038-00	COUNTER SHAFT		1
41	E150040A00	DRIVEN GEAR,LOW		1
42	E150043A00	DRIVEN GEAR,REVERSE		1
43	E150045A00	GEAR,SUB T/M DRIVEN HIGH		1
44	E150052A00	CLUTCH,GEAR		1
45	E150182-00	FINAL SHAFT,T/M ASSY.		1
46	E150034-00	FINAL GEAR,T/M		1
47	E150035-00	FINAL SHAFT,T/M		1
48	E150180A00	OUTPUT CONNECTOR		2

FRONT FENDER



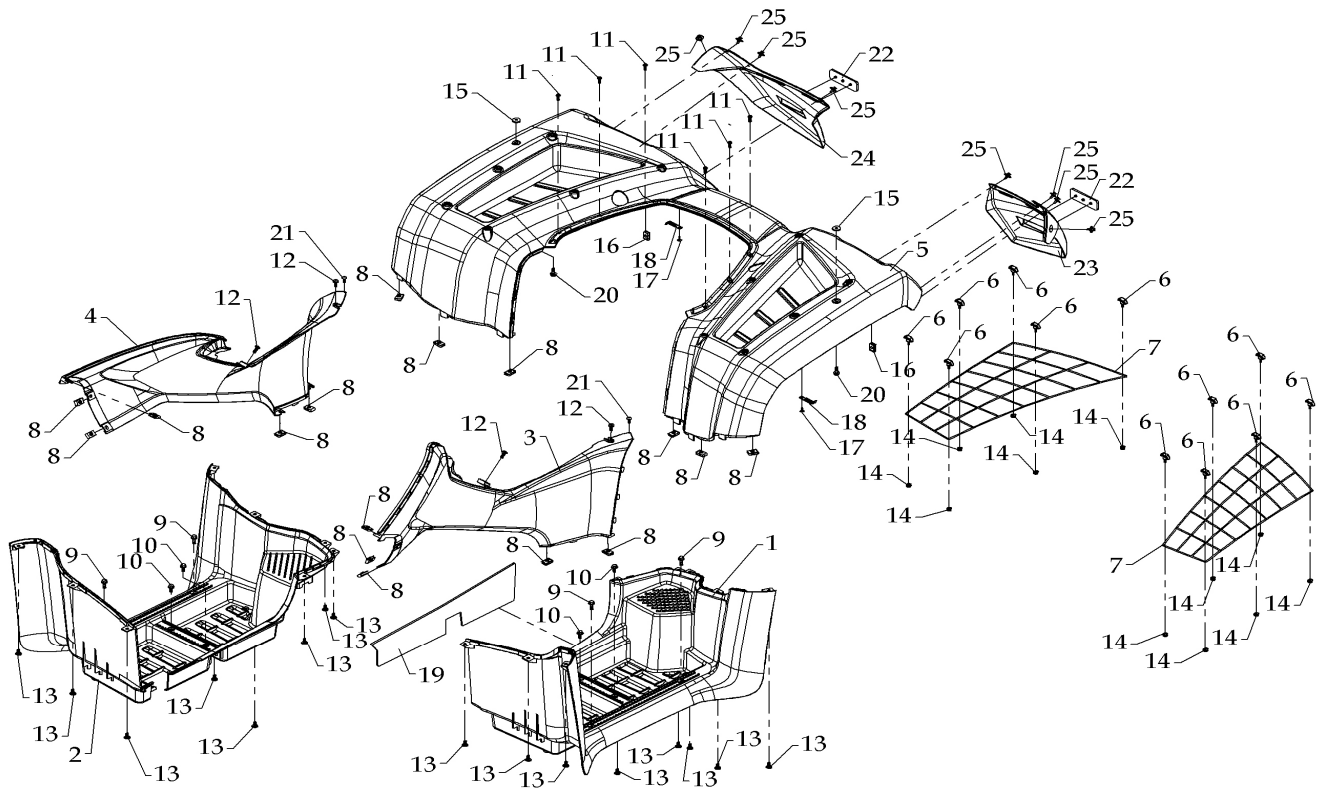
Item	Part no	Description	Specification	Q'ty
01	F210001-15	HEADLIGHT SHADE		1
02	F210002-26	DECORATION, FRONT FENDER		1
03	F210003-26	MAINTENANCE COMPARTMENT		1
04	F210004-98	FRONT FENDER	LEFT SIDE	1
05	F210005-98	FRONT FENDER	RIGHT SIDE	1
06	F210006-15	UNDER COVER,FRONT FENDER		1
07	F210007-26	DECORATION,FUEL TANK		1
08	F210016-98	HANDLEAR HOLDER COVER		1
09	F210017-98	GLOVE COMPARTMENT COVER		1
10	F210052-48	FRONT LIGHT COVER		1
11	F210138-98	HOOK		1
12	F210139-98	HOOK,COVER		1
13	F020195-43	CLIP NUT	M6×1.0	10
14	A050017-41	HEX WASHER FACE BOLT	M6×1.0×12L	1
15	A050024-41	HEX WASHER FACE BOLT	M6×1.0×16L	2
16	A050042-41	SCREW	M6×1.0×25L	4
17	A050077-43	HEX WASHER FACE BOLT	M6×1.0×25L	2
18	A050091-41	MACHINE SCREW	M6×1.0×12L	6
19	A050121-41	HEXAGONAL FLANGE BOLT	M6×1.0×25L	2
20	A060053-41	HEX INSERT LOCK NUT	M6×1.0	2
21	A090050-00	PLUG		2
22	A100027-43	FIXED PLATE		4
23	A100038-43	FIXED PLATE		2
24	A110062-00	SPRING		1
25	A130005-43	TAPPING SCREW	5mm×16	12
26	A130018-43	TAPPING SCREW	5mm×12L	8

REAR FENDER



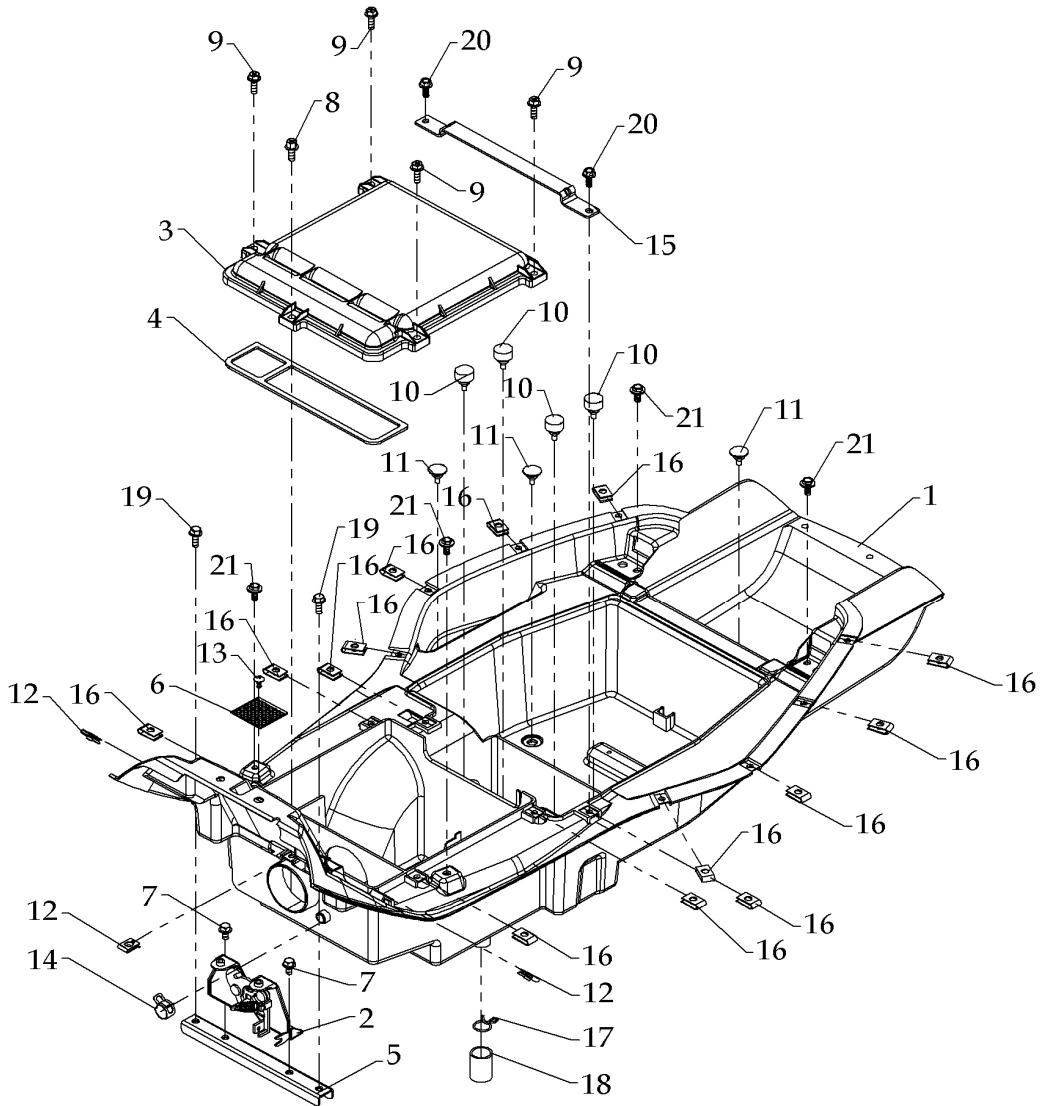
Item	Part no	Description	Specification	Q'ty
01	F210008-15	LEFT FOOT BOARD		1
02	F210009-15	RIGHT FOOT BOARD		1
03	F210010-25	DECORATION,BODY	LEFT SIDE	1
04	F210011-25	DECORATION,BODY	RIGHT SIDE	1
05	F210019A98	REAR FENDER		1
06	F210043-00	CLIP		12
07	F210134-00	CARGO NETS		1
08	F020195-43	CLIP NUT	M6×1.0	16
09	A050016-41	HEX WASHER FACE BOLT	M6×1.0×20L	4
10	A050024-41	HEX WASHER FACE BOLT	M6×1.0×16L	4
11	A050032-41	SCREW	M6×1.0×16L	6
12	A050059-44	PAN HEAD BOLT	M6×1.0×16L	4
13	A050091-41	MACHINE SCREW	M6×1.0×12L	16
14	A060078-00	NET		12
15	A080102-00	RUBBER WASHER	Ø6×Ø19×3t	2
16	A100036-42	CLIP NUT	M4	2
17	A130024-43	TAPPING SCREW	4×12L	2
18	A220021-00	CLIP		2
19	F210121-00	HEAT INSULATION PAD		1
20	A050272-41	HEX WASHER FACE BOLT	M6X1.0X18L	2
21	A130005-43	TAPPING SCREW	5mm×16	2
22	F210161-50	BRACKET, REFLECTER		2
23	A130018-43	TAPPING SCREW	5mm×12L	4
24	F020265-00	REFLECTER	RED	2

REAR FENDER(JP, MTI)



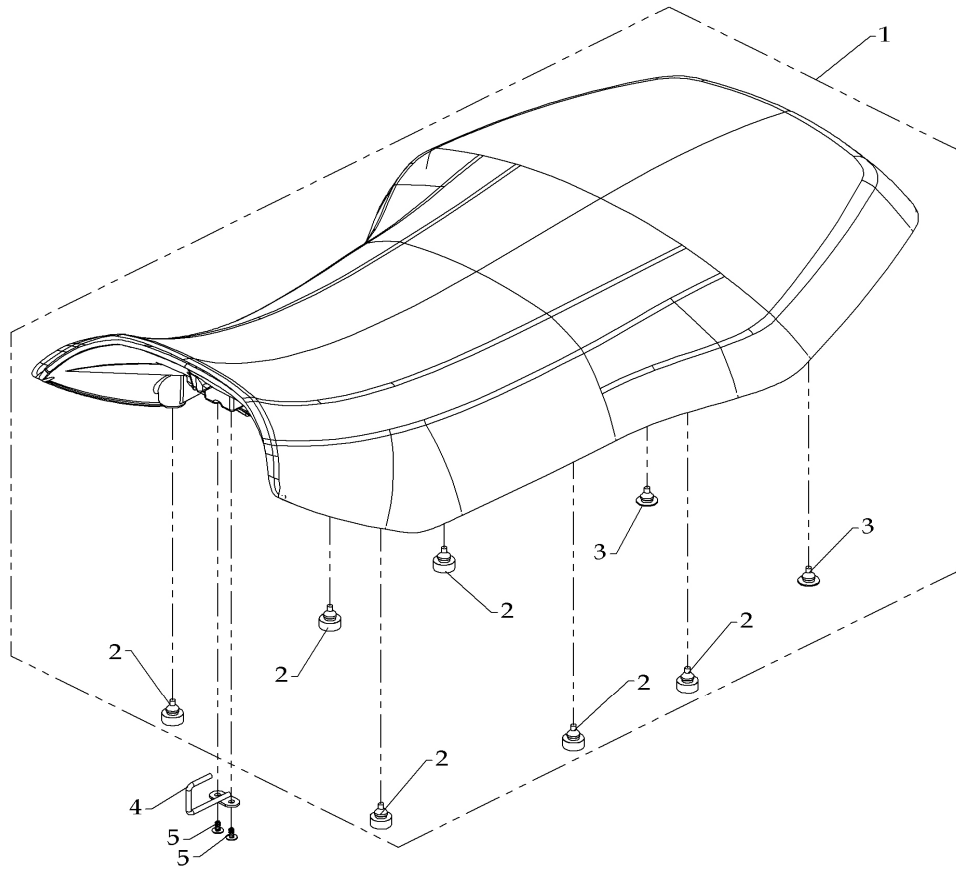
Item	Part no	Description	Specification	Q'ty
01	F210008-15	LEFT FOOT BOARD		1
02	F210009-15	RIGHT FOOT BOARD		1
03	F210010-25	DECORATION,BODY	LEFT SIDE	1
04	F210011-25	DECORATION,BODY	RIGHT SIDE	1
05	F210019A98	REAR FENDER		1
06	F210043-00	CLIP		12
07	F210134-00	CARGO NETS		1
08	F020195-43	CLIP NUT	M6×1.0	16
09	A050016-41	HEX WASHER FACE BOLT	M6×1.0×20L	4
10	A050024-41	HEX WASHER FACE BOLT	M6×1.0×16L	4
11	A050032-41	SCREW	M6×1.0×16L	6
12	A050059-44	PAN HEAD BOLT	M6×1.0×16L	4
13	A050091-41	MACHINE SCREW	M6×1.0×12L	16
14	A060078-00	NET		12
15	A080102-00	RUBBER WASHER	Ø6×Ø19×3t	2
16	A100036-42	CLIP NUT	M4	2
17	A130024-43	TAPPING SCREW	4×12L	2
18	A220021-00	CLIP		2
19	F210121-00	HEAT INSULATION PAD		1
20	A050272-41	HEX WASHER FACE BOLT	M6X1.0X18L	2
21	A130005-43	TAPPING SCREW	5mm×16	2
22	F020265-00	REFLECTER	RED	2
23	F210014-15	LEFT REAR FENDER	BLOCK	1
24	F210015-15	REAR FENDER	BLOCK	1
25	A050283-00	SPECIAL SCREW	Ø6	8

LUGGAGE COMPARTMENT



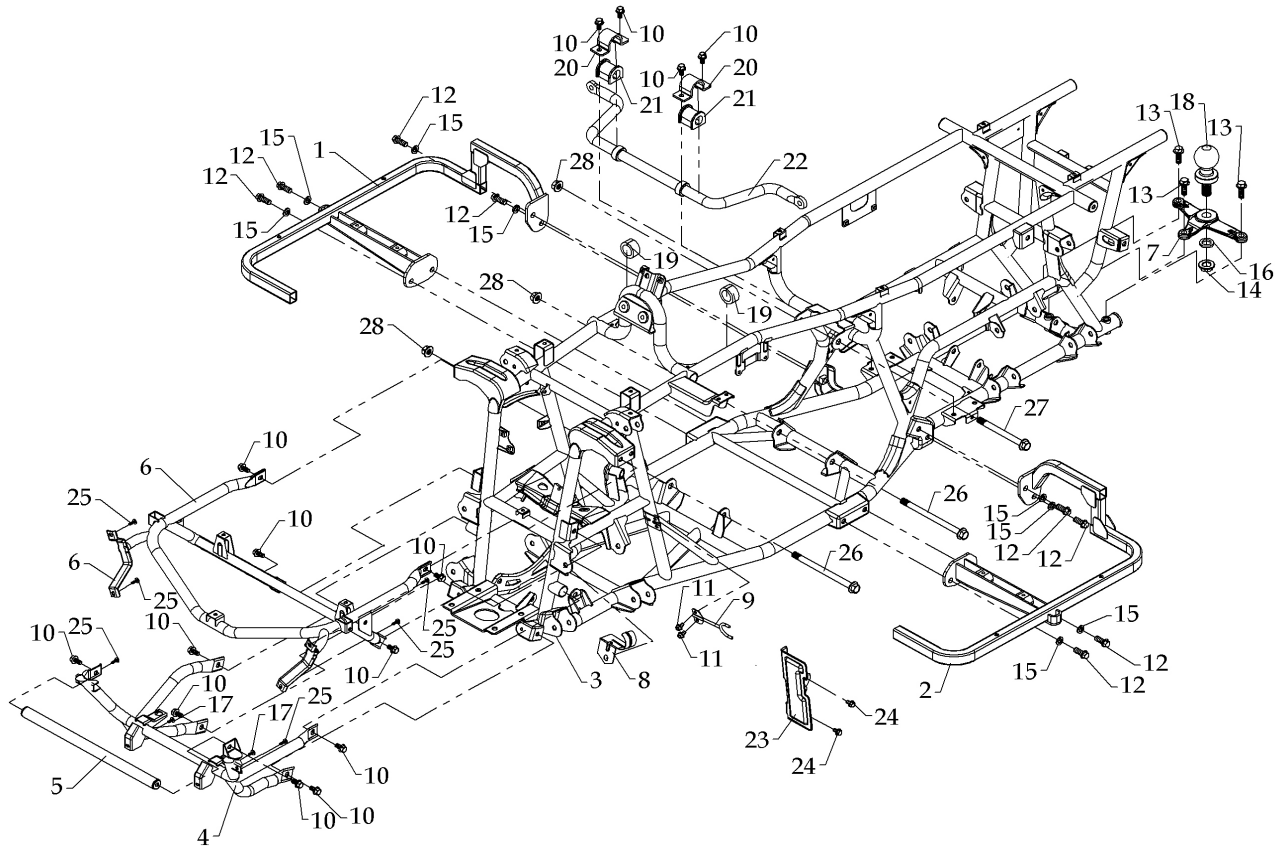
Item	Part no	Description	Specification	Q'ty
01	F210013A12	LUGGAGE COMPARTMENT		1
02	F210024-42	BRACKET, SEAT HOOK		1
03	F210025-15	AIR CLEANER COVER		1
04	F210026-00	GASKET		1
05	F210042-50	BRACKET,SEAT HOOK		1
06	F210133-00	SCREEN		1
07	A050017-41	HEX WASHER FACE BOLT	M6×1.0×12L	2
08	A050279-41	HEXAGONAL FLANGE CROSS BOLT	M6×1.0×18L	1
09	A050280-41	HEXAGONAL FLANGE CROSS BOLT	M6×1.0×20L	4
10	A090049-00	SHOCKPROOF		4
11	A090050-00	PLUG		3
12	A100037-42	CLIP NUT		3
13	A130018-43	TAPPING SCREW	5mm×12L	1
14	A220020-41	FUEL TUBE	Ø17×12×1.0t	1
15	A230292-50	BRACKET BATTERY		1
16	F020195-43	CLIP NUT	M6×1.0	14
17	F150129-00	CLAMP		1
18	F150130-00	DRAINAGE PLUG		1
19	A050272-41	HEX WASHER FACE BOLT	M6X1.0X18L	2
20	A050024-41	HEX WASHER FACE BOLT	M6×1.0×16L	2
21	A050023-41	HEX WASHER FACE BOLT	M6x1.0x20L	4

SEAT



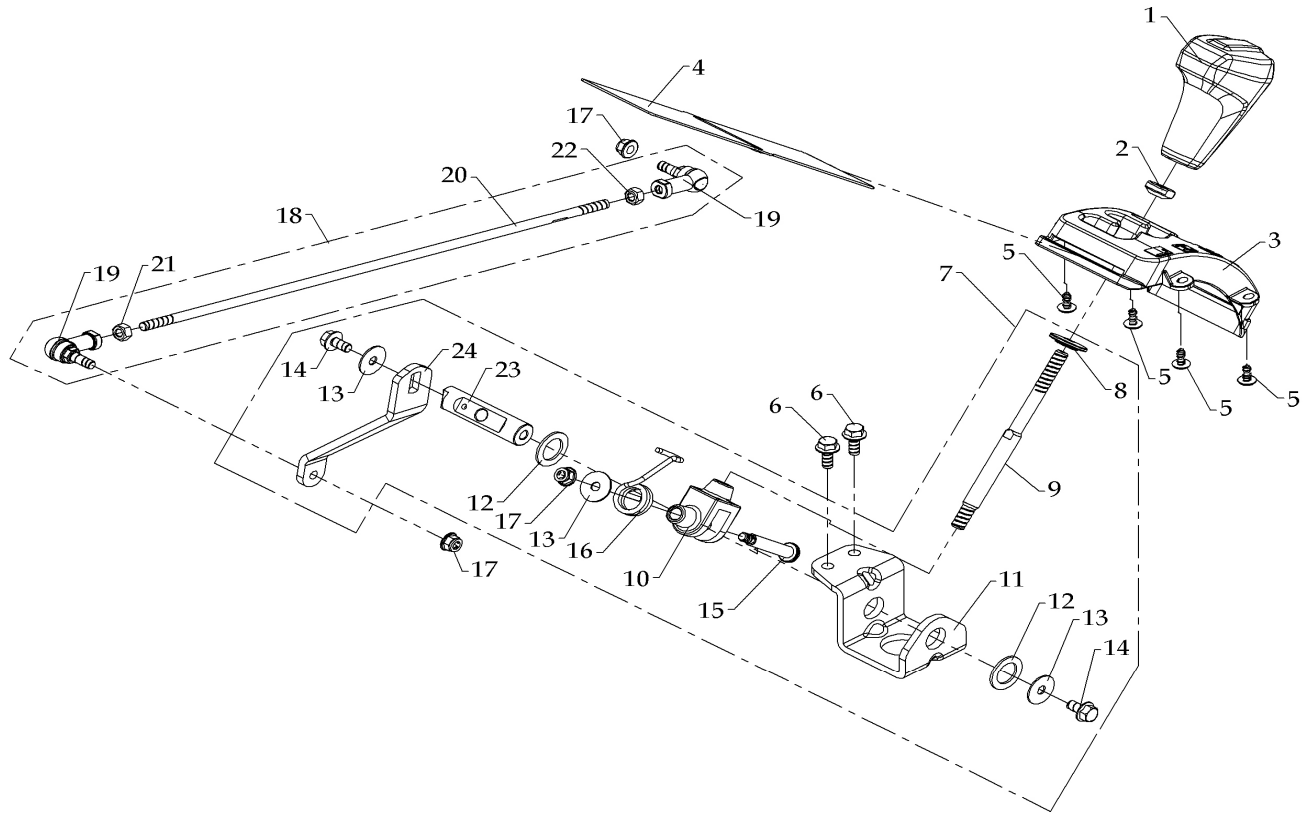
Item	Part no	Description	Specification	Q'ty
01	F210012-00	SEAT		1
02	A090049-00	SHOCKPROOF		6
03	A090050-00	PLUG		2
04	F210036-42	BRACKET,SEAT		1
05	A130018-43	TAPPING SCREW	5mm×12L	2

FRAME



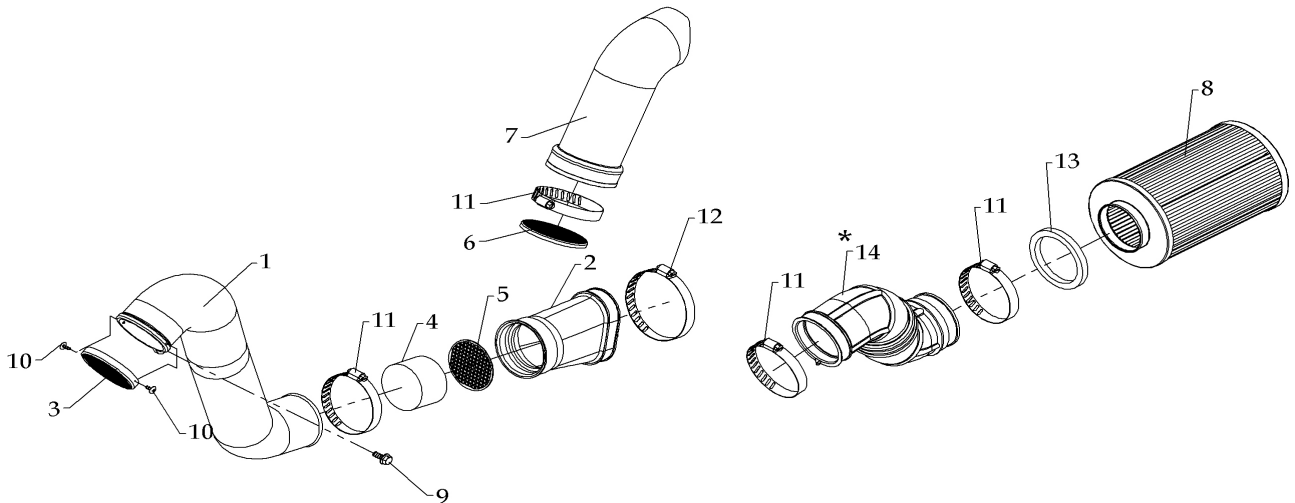
Item	Part no	Description	Specification	Q'ty
01	F210038-48	FOOTREST RH		1
02	F210039-48	FOOTREST LH		1
03	F210044A48	FRAME		1
04	F210057A48	FRAME, FRONT GRILLE		1
05	F210070-57	GRIP,FRONT		1
06	F210072-48	FRAME,HEADLIGHT SHADE		1
07	F210113-48	BASE, TRAILER BALL		1
08	F210143-50	WATER HOSE SUSTENTACULAR		1
09	F210144-50	WATER HOSE SUSTENTACULAR		1
10	A050049-41	HEX WASHER FACE BOLT	M8×1.25×16L	14
11	A050081-43	HEX WASHER FACE BOLT	M6×1.0×10L	2
12	A050201-41	HEX WASHER FACE BOLT	M10×1.25×25L	8
13	A050273-41	HEX WASHER FACE BOLT	M10×1.25×30L-10T	3
14	A060069-41	HEX NUT	M24×1.5	1
15	A080009-41	SPRING WASHER	Ø10.2×3.7×2.5t	8
16	A080122-41	SPRING WASHER	Ø19×Ø29×4t	1
17	A130018-43	TAPPING SCREW	5mm×12L	2
18	A930021-45	TRAILER BALL		1
19	A220055-00	HOSE		2
20	F210079-50	BRACKET		2
21	F210080-00	RUBBER		2
22	F210078-50	RR STABILIZER		1
23	F210155-52	WINDSHIELD		1
24	A050017-43	HEX WASHER FACE BOLT	M6×1.0×12L	2
25	A130005-43	TAPPING SCREW	5mm×16	6
26	A050267-41	HEX WASHER FACE BOLT	M12×P1.25×170L	2
27	A050268-41	HEX WASHER FACE BOLT	M12×P1.25×128L	1
28	A060008-41	INSERT LOCK NUT	M12×1.25	3

INDICATOR T/M LEVEL



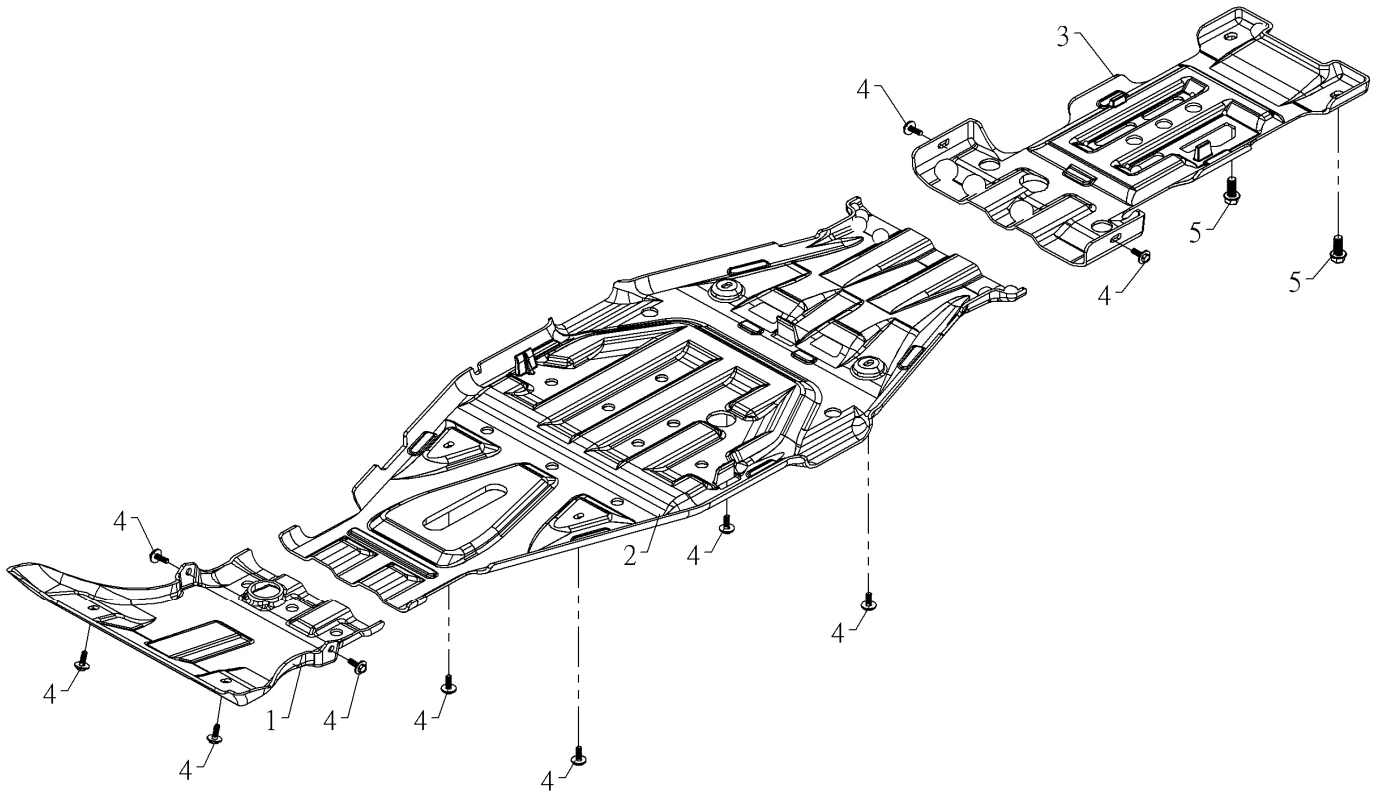
Item	Part no	Description	Specification	Q'ty
01	F210073-00	KNOB, T/M LEVER		1
02	A060080-45	NUT	M8×1.25	1
03	F210033-00	INDICATOR T/M LEVEL		1
04	F210020-00	COVER T/M LEVEL		1
05	A130018-43	TAPPING SCREW	5mm×12L	4
06	A050024-41	HEX WASHER FACE BOLT	M6×1.0×16L	2
07	F210071A00	INDICATOR T/M LEVEL ASSY		1
08	A090054-00	BUSHING		1
09	F210068A45	SHIFT LEVEL		1
10	F210069-00	INDICATOR T/M LEVEL		1
11	F210066-00	BRACKET , INDICATOR T/M LEVEL		1
12	A080121-00	SPACER	Ø16.2×Ø25×1.5t	2
13	A080105-41	WASHER	Ø6.2×Ø21×1.0t	3
14	A050017-41	HEX WASHER FACE BOLT	M6×1.0×12L	2
15	A050262-00	HEX SOCKET BOLT		1
16	A110060-44	SPRING		1
17	A060053-41	HEX INSERT LOCK NUT	M6×1.0	3
18	F210023-00	ROD,LEVEL ASSY		1
19	F210021-00	TIE ROD END		2
20	F210022-42	ROD,LEVEL		1
21	A060001-41	NUT	M6×1.0	1
22	A060074-41	NUT	M6×1.0-LH	1
23	F210129-00	SHAFT,LEVEL		1
24	F210128-50	LEVEL		1

DUCT, CVT



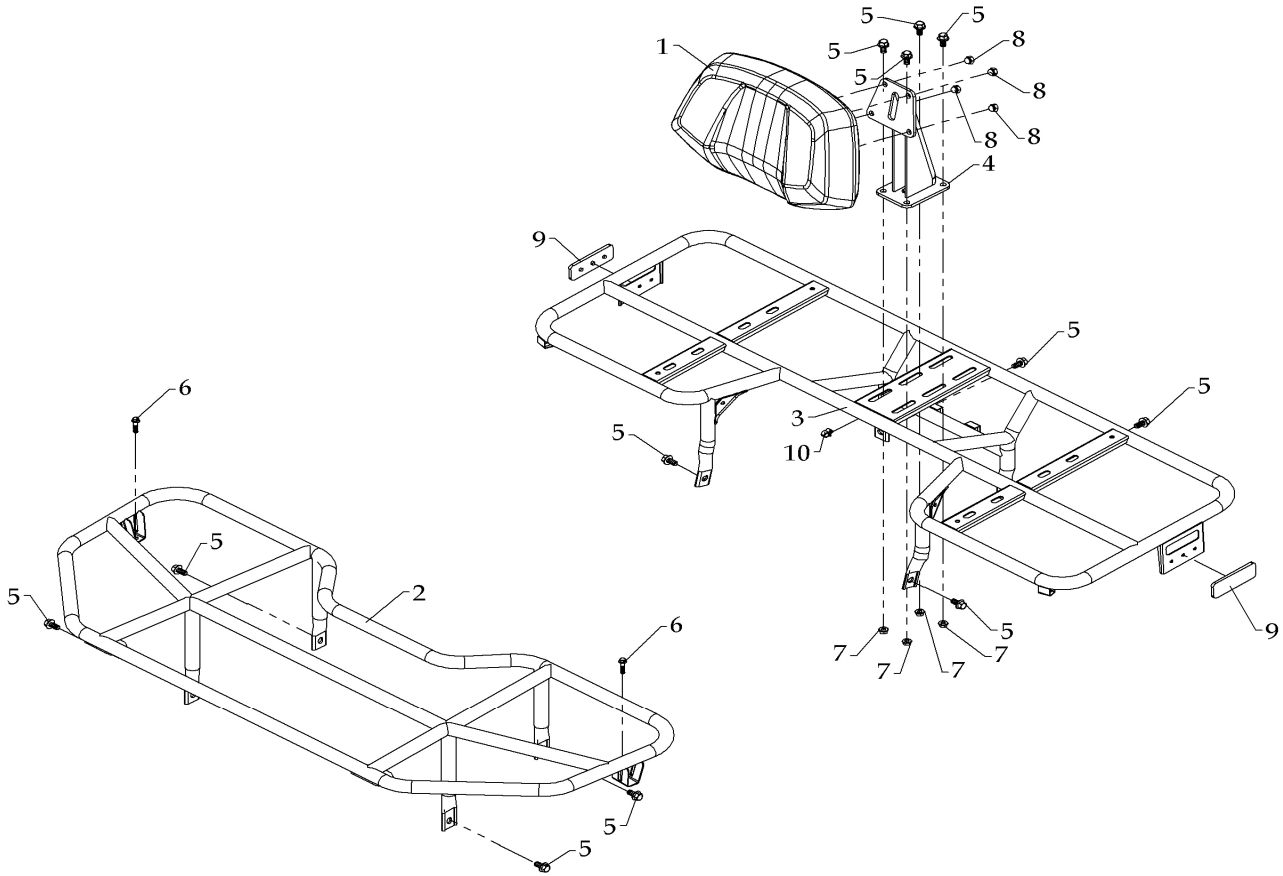
Item	Part no	Description	Specification	Q'ty
01	F210085-00	DUCT,CVT BREATHER		1
02	F210084-00	CONNECT, BREATHER		1
03	F210083-00	SCREEN		1
04	F210082-00	MIST FILTER		1
05	F210081-00	SCREEN		1
06	F210040-00	SCREEN		1
07	F210037-00	DUCT,CVT OUTLET		1
08	F210154-00	FOAM CORE,AIR CLEANER		1
09	A050024-41	HEX WASHER FACE BOLT	M6×1.0×16L	1
10	A130003-00	TAPPING SCREW	4mm×10L	2
11	A220056-00	ZEBRA HOSE CLAMPS	52-76×12.7	4
12	A220057-00	ZEBRA HOSE CLAMPS	65-89×12.7	1
13	A030051-02	WASHER	Ø64×Ø80×8t,CR	1
14	F210028-00	INTAKE DUCT		1
*	F210030-00	INTAKE DUCT	EFI	1

PROTECTOR



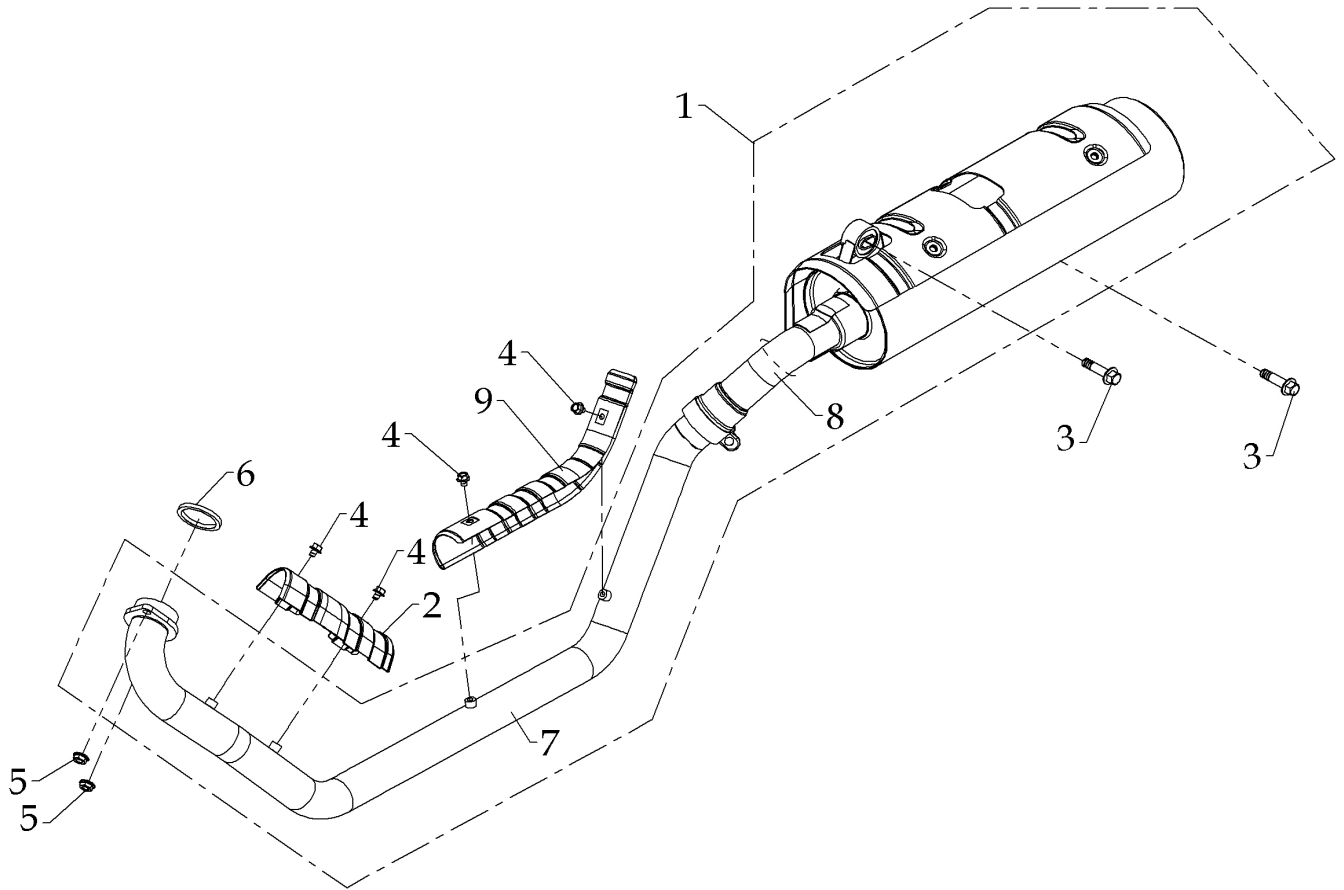
Item	Part no	Description	Specification	Q'ty
01	F210109-00	PROTECTOR,FRONT		1
02	F210119-00	PROTECTOR,ENGING		1
03	F210120-00	PROTECTOR,REAR		1
04	A050063-41	HEX WASHER FACE BOLT	M6x1.0x20L	10
05	A050005-41	HEXAGONAL FLANGE BOLT	M10X1.25X15L	2

RACK



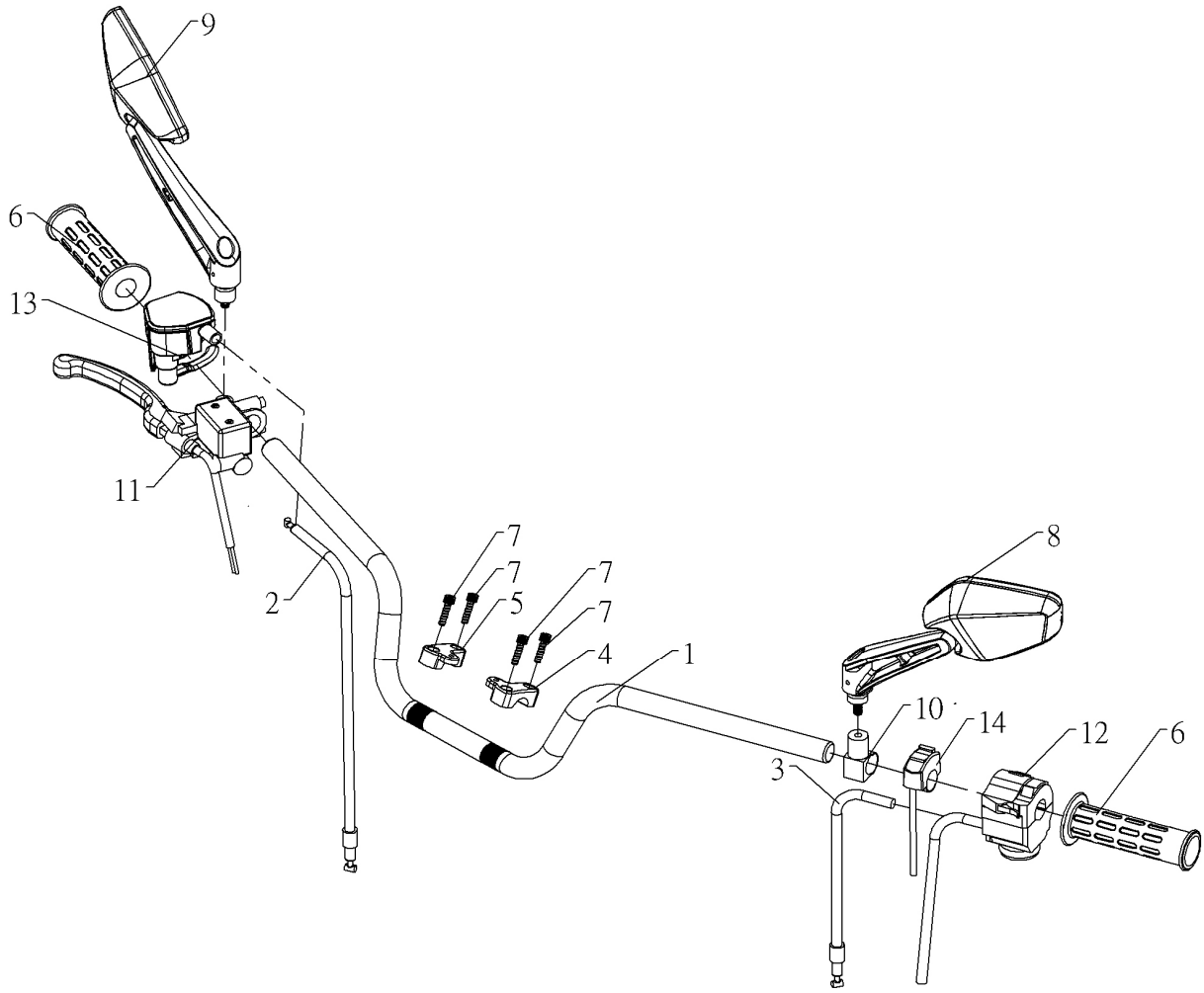
Item	Part no	Description	Specification	Q'ty
01	F210041-00	BACKREST		1
02	F210045A00	RACK, FRONT		1
03	F210046A00	RACK, REAR		1
04	F210053A52	BRACKET, BACKREST		1
05	A050049-41	HEX WASHER FACE BOLT	M8×1.25×16L	12
06	A050170-41	HEX WASHER FACE BOLT	M6×1.0×25L	2
07	A060014-41	INSERT LOCK NUT	M8×1.25	4
08	A060086-00	NUT	M8×1.25	4
09	F020266-00	REFLECTER	YELLOW	2
10	F020578-15	CLIP		1

MUFFLER



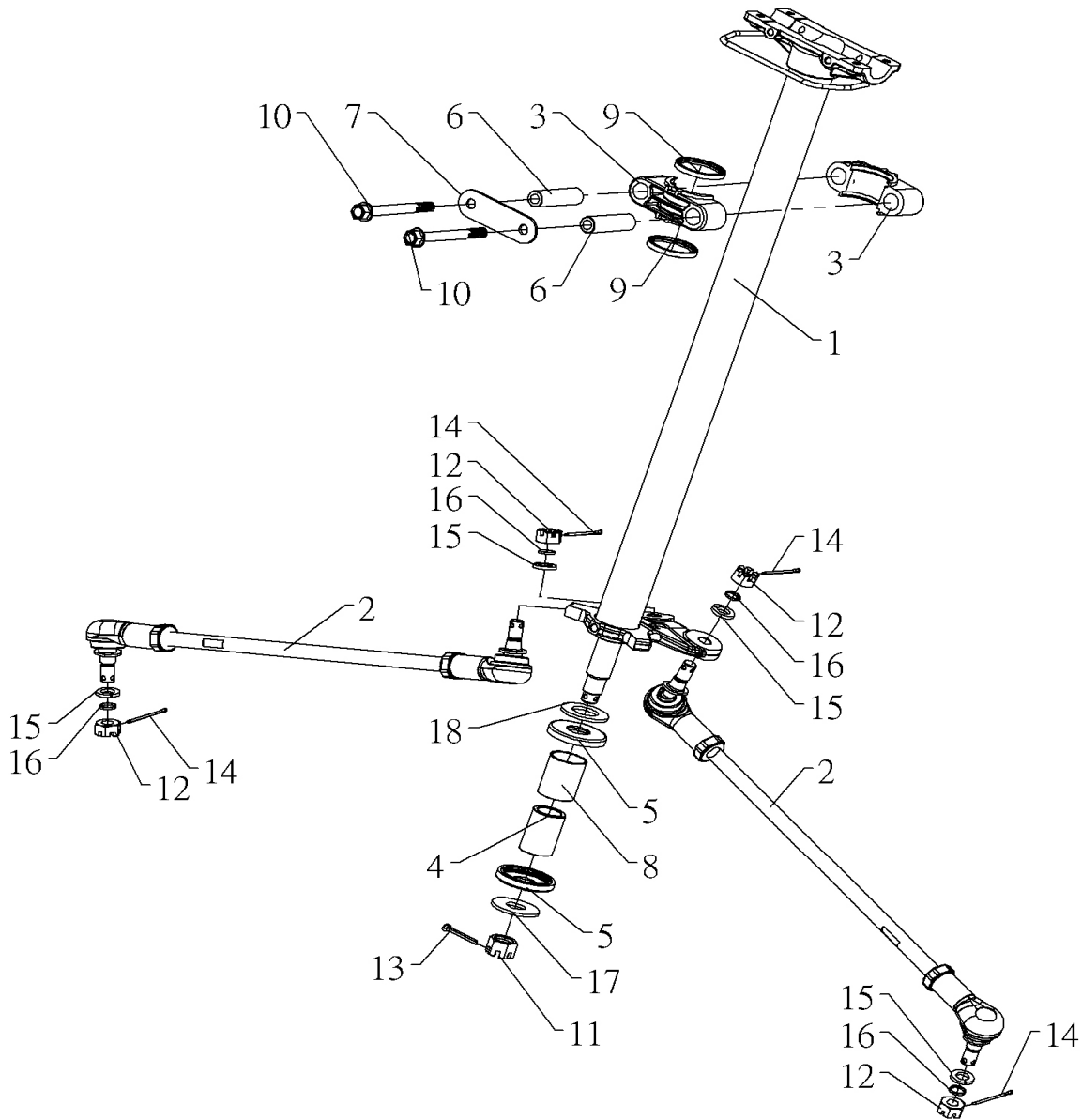
Item	Part no	Description	Specification	Q'ty
01	F210050A00	MUFFLER ASSY		1
02	F210150-57	GUIDE PLATE, MUFFLER		1
03	A050001-41	HEX WASHER FACE BOLT	M10×P1.25×40L	2
04	A050080-41	HEX WASHER FACE BOLT	M6×1.0×8L	4
05	A060014-41	INSERT LOCK NUT	M8×1.25	2
06	A080127-00	GASKET	Ø41×Ø50×4.8t	1
07	F210159A00	EXHAUST PIPE		1
08	F210160-00	MUFFLER		1
09	F210169-57	GUIDE PLATE, MUFFLER		1

HANDLEBAR



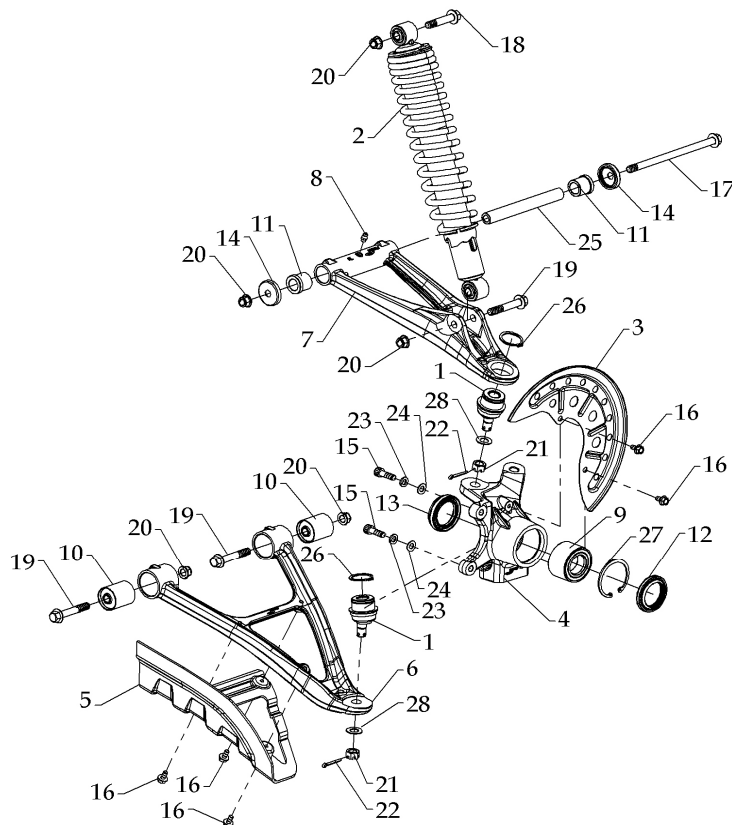
Item	Part no	Description	Specification	Q'ty
01	F210174-50	HANDLEBAR		1
02	F210060-00	THROTTLE WIRE		1
03	F210061-00	CHOKE CABLE		1
04	F020118-00	UPPER HANDLEBAR CLAMP (L)		1
05	F020117-00	UPPER HANDLEBAR CLAMP (R)		1
06	F020167A00	HANDLE GRIP		2
07	A050029-43	HEX SOCKET BOLT	M6×1.0×25L	4
08	A160005-00	REAR-VIEW MIRROR		1
09	A160006-00	REAR-VIEW MIRROR		1
10	A160015-00	MIRROR HOLDER		1
11	A190089-00	RIGHT LEVER ASSY	Ø14	1
12	A190056-00	LIFT LEVER ASSY		1
13	A190124-00	RIGHT SWITCH		1
14	A190132-00	HANDLEBAR SWITCH		1

STEERING



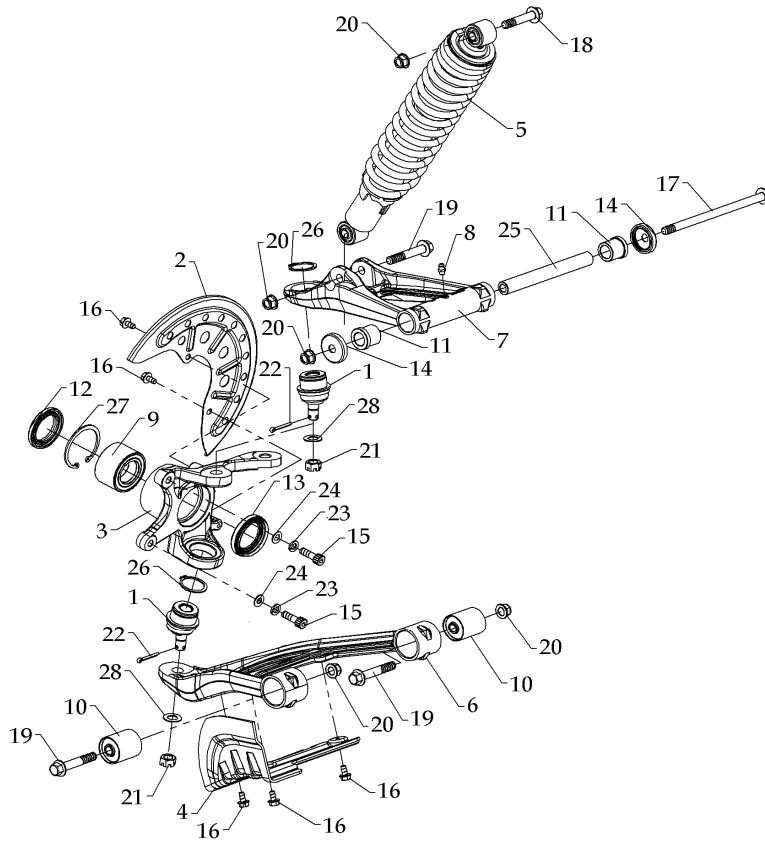
Item	Part no	Description	Specification	Q'ty
01	F210065-48	SHAFT,STEERING		1
02	F210075-00	STEERING TIE-ROD ASSY.		2
03	F140019-00	STEERING SHAFT BRACKET		2
04	F140033-00	PIN	Ø25×Ø18×37.5L	1
05	F140142-00	SEAL COVER	Ø18.1×Ø35×Ø44×6.2t	2
06	F140145-42	SPACER		2
07	F140082-41	PLATE		1
08	A020007-00	BUSH BEARING	Ø28×Ø25×35L	1
09	A030034-00	OIL SEAL		2
10	A050199-41	HEXAGONAL FLANGE BOLT	M8×1.25×75L	2
11	A060026B42	CASTLE NUT	M14×1.5-II	1
12	A060083-42	CASTLE NUT	M10×1.25×10t	4
13	A070002-41	COTTER PIN	Ø3.2×32L	1
14	A070011-41	COTTER PIN	Ø4×15.8L	4
15	A080009-41	SPRING WASHER	Ø10.2×3.7×2.5t	4
16	A080033-41	WASHER	Ø10.4×Ø22×1.6	4
17	A080087-41	WASHER	Ø14.5×Ø36×2.5t	1
18	A080088-41	WASHER	Ø205×Ø36×2.5t	1

FRONT SUSPENSION (L)



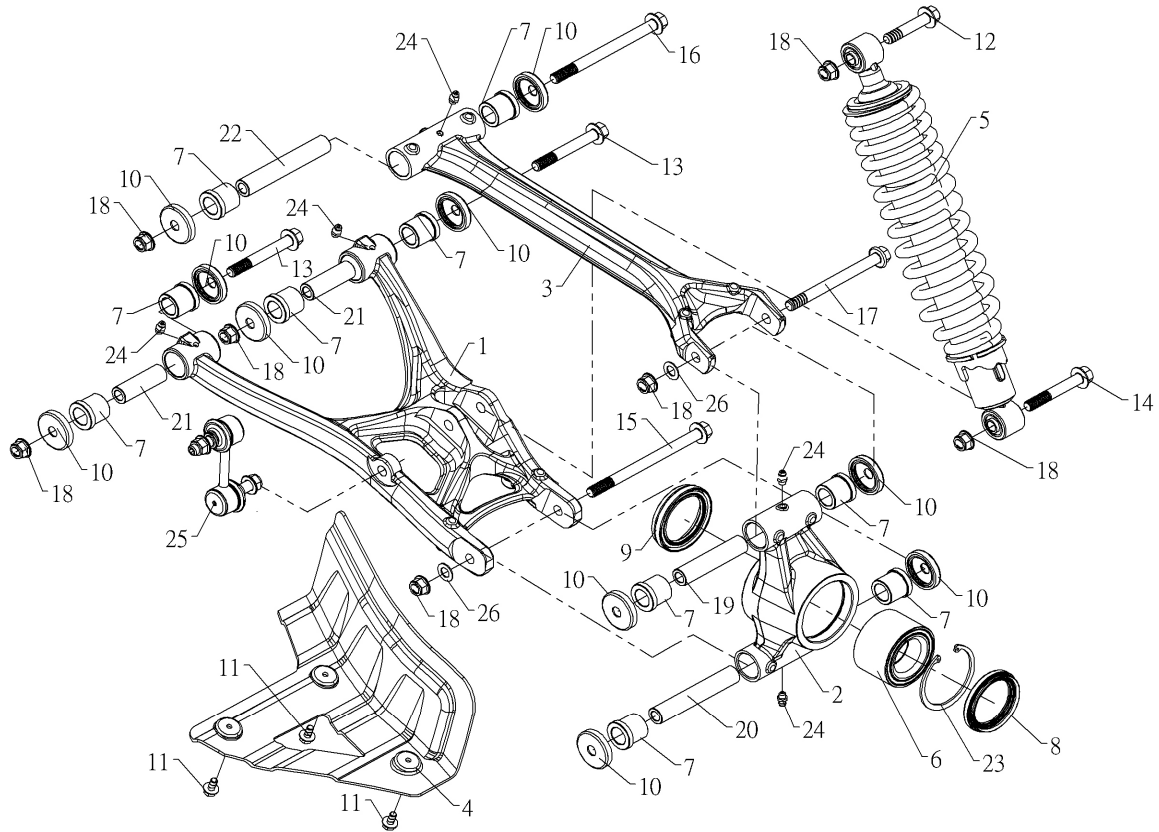
Item	Part no	Description	Specification	Q'ty
01	F210074-00	BALL JOINT	M12×1.25	2
02	F210123A00	ABSORBER, FRONT SHOCK		1
03	F210095-50	L.COVER, BRAKE DISK		1
04	F210099-00	STEERING KNUCKLE (L)		1
05	F210115-00	PROTECTOR,DRIVER SHAFT L.H		1
06	F210227-00	LOWER-LEFT A-ARM		1
07	F210229-00	UPPER-LEFT A-ARM		1
08	F020140-00	GREASE VALVE		1
09	A010080-04	DOUBLE ROW ANGULAR CONTACT BALL	Ø30×Ø55×32t	1
10	A020016-00	BUSH,ENG MTG	D35×38L-d10.2×40L	2
11	A020017-00	BUSH	Ø17×Ø25×23L	2
12	A030054-00	OIL SEAL	TC9Y 38 55 8/12	1
13	A030056-00	OIL SEAL	TC9Y 38 55 8/8.5	1
14	A030058-00	CAP		2
15	A050008-41	HEX SOCKET BOLT	M8×1.25×25	2
16	A050017-41	HEX WASHER FACE BOLT	M6×1.0×12L	5
17	A050174-41	HEX WASHER FACE BOLT	M10×1.25×170L	1
18	A050213-41	HEX WASHER FACE BOLT	M10×1.25×50L-8T	1
19	A050230-41	HEX WASHER FACE BOLT	M10×1.25×60L-10T	3
20	A060007-41	HEX INSERT LOCK NUT	M10×1.25	5
21	A060082-42	CASTLE NUT	M12×1.25×10t	2
22	A070011-41	COTTER PIN	Ø2.8×32L	2
23	A080012-41	SPRING WASHER	Ø8.2×3.2×2t	2
24	A080095-41	SPACER	Ø8.2×Ø16×1t	2
25	A090057-00	SPACER	Ø17×Ø10×147.4L	1
26	A100021-43	CIRCLIP,C TYPE	Ø30×1.5t	2
27	A100039-00	C TYPE	Ø55	1
28	A080031-41	SPACER	Ø22×Ø12.2×2t	2

FRONT SUSPENSION (R)



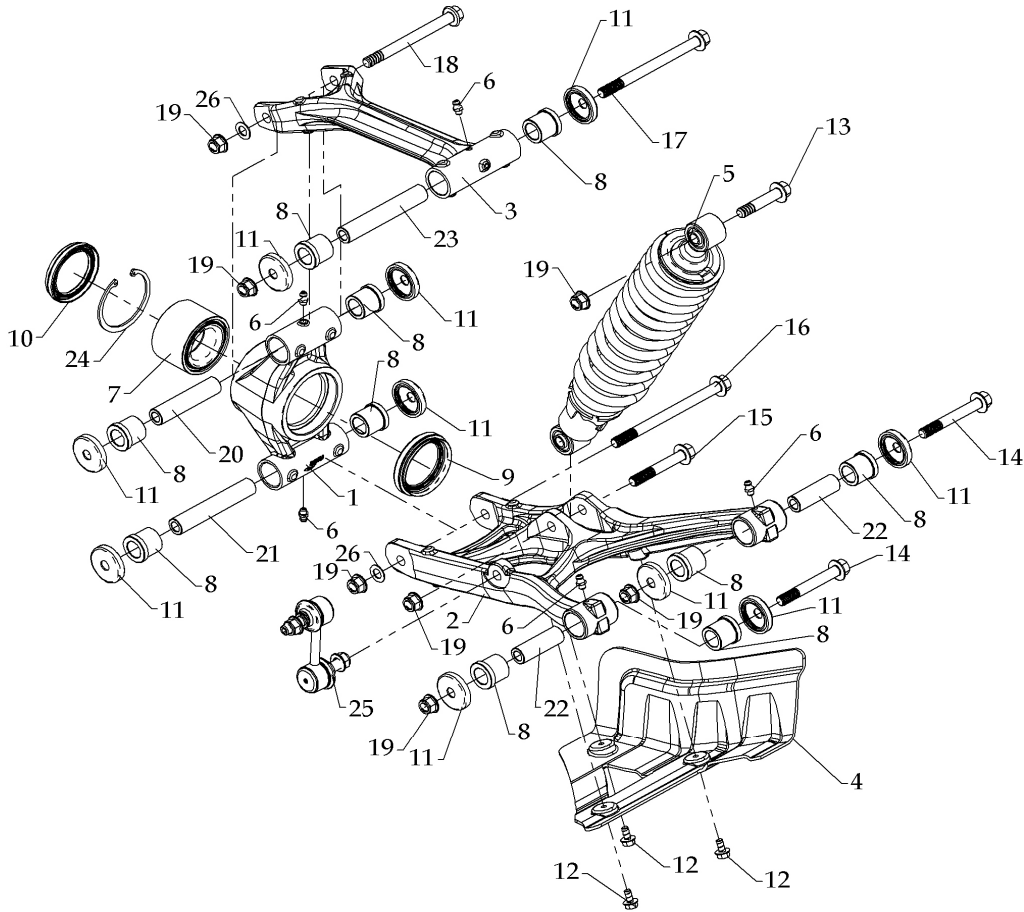
Item	Part no	Description	Specification	Q'ty
01	F210074-00	BALL JOINT	M12×1.25	2
02	F210094-50	R.COVER, BRAKE DISK		1
03	F210098-00	STEERING KNUCKLE (R)		1
04	F210116-00	PROTECTOR,DRIVER SHAFT R.H		1
05	F210123A00	ABSORBER, FRONT SHOCK		1
06	F210226-00	LOWER-RIGHT A-ARM		1
07	F210228-00	UPPER-RIGHT A-ARM		1
08	F020140-00	GREASE VALVE		1
09	A010080-04	DOUBLE ROW ANGULAR CONTACT BALL	Ø30×Ø55×32t	1
10	A020016-00	BUSH,ENG MTG	D35×38L-d10.2×40L	2
11	A020017-00	BUSH	Ø17×Ø25×23L	2
12	A030054-00	OIL SEAL	TC9Y 38 55 8/12	1
13	A030056-00	OIL SEAL	TC9Y 38 55 8/8.5	1
14	A030058-00	CAP		2
15	A050008-41	HEX SOCKET BOLT	M8×1.25×25	2
16	A050017-41	HEX WASHER FACE BOLT	M6×1.0×12L	5
17	A050174-41	HEX WASHER FACE BOLT	M10×1.25×170L	1
18	A050213-41	HEX WASHER FACE BOLT	M10×1.25×50L-8T	1
19	A050230-41	HEX WASHER FACE BOLT	M10×1.25×60L-10T	3
20	A060007-41	HEX INSERT LOCK NUT	M10×1.25	5
21	A060082-42	CASTLE NUT	M12×1.25×10t	2
22	A070011-41	COTTER PIN	Ø2.8×32L	2
23	A080012-41	SPRING WASHER	Ø8.2×3.2×2t	2
24	A080095-41	SPACER	Ø8.2×Ø16×1t	2
25	A090057-00	SPACER	Ø17×Ø10×147.4L	1
26	A100021-43	CIRCLIP,C TYPE	Ø30×1.5t	2
27	A100039-00	C TYPE	Ø55	1
28	A080031-41	SPACER	Ø22×Ø12.2×2t	2

REAR SUSPENSION (L)



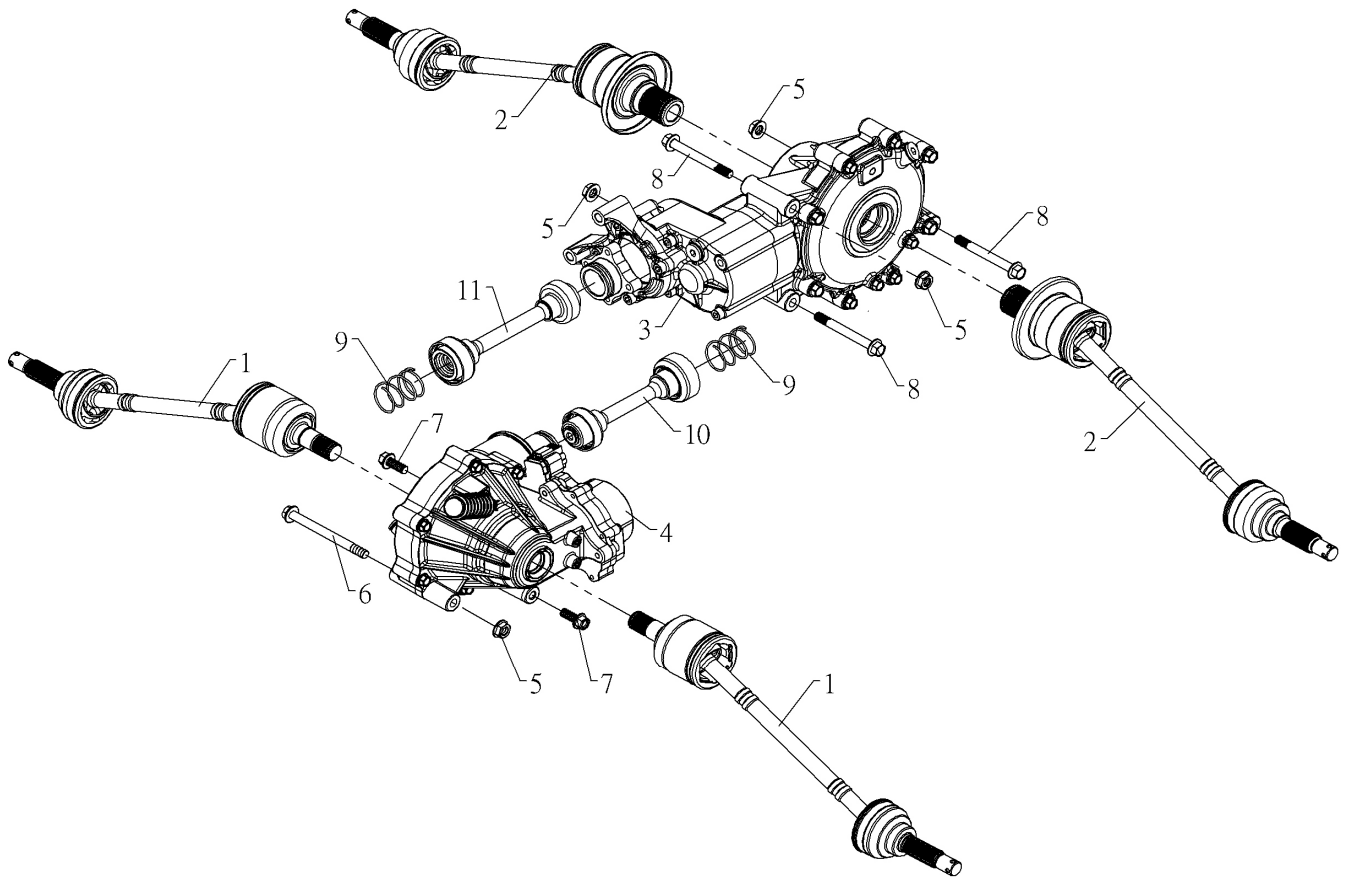
Item	Part no	Description	Specification	Q'ty
01	F210091-00	LOWER-LEFT ARM		1
02	F210097-00	KNUCKLE,REAR		1
03	F210168-00	UPPER ARM (L)		1
04	F210117-00	PROTECTOR,RR DRIVE SHAFT L.		1
05	F210122A00	ABSORBER,REAR SHOCK		1
06	A010079-04	DOUBLE ROW ANGULAR CONTACT BALL	Ø35×Ø62×40t	1
07	A020017-00	BUSH	Ø17×Ø25×23L	10
08	A030055-00	OIL SEAL	TC9Y 48 65 8/13	1
09	A030057-00	OIL SEAL	TC9Y 47 60 6/10.5	1
10	A030058-00	CAP		10
11	A050017-41	HEX WASHER FACE BOLT	M6×1.0×12L	3
12	A050213-41	HEX WASHER FACE BOLT	M10×1.25×50L-8T	1
13	A050263-41	HEX WASHER FACE BOLT	M10×P1.25×74L	2
14	A050264-41	HEX WASHER FACE BOLT	M10×P1.25×65L	1
15	A050236-41	HEX WASHER FACE BOLT	M10×P1.25×135L	1
16	A050277-41	HEX WASHER FACE BOLT	M10×P1.25×125L	1
17	A050270-41	HEX WASHER FACE BOLT	M10×1.25×110L	1
18	A060007-41	INSERT LOCK NUT	M10×1.25	7
19	A090055-00	SPACER	Ø17×Ø10×77.4L	1
20	A090056-00	SPACER	Ø17×Ø10×97.4L	1
21	A090058-00	SPACER	Ø17×Ø10×52.4L	2
22	A090059-00	SPACER	Ø17×Ø10×102.4L	1
23	A100030-00	C TYPE	Ø62	1
24	F020140-00	GREASE VALVE		5
25	F210108-00	JOINT RR STABILIZER		1
26	A080114-00	SPACER	Ø10.2×Ø18×1.0t	2

REAR SUSPENSION (R)



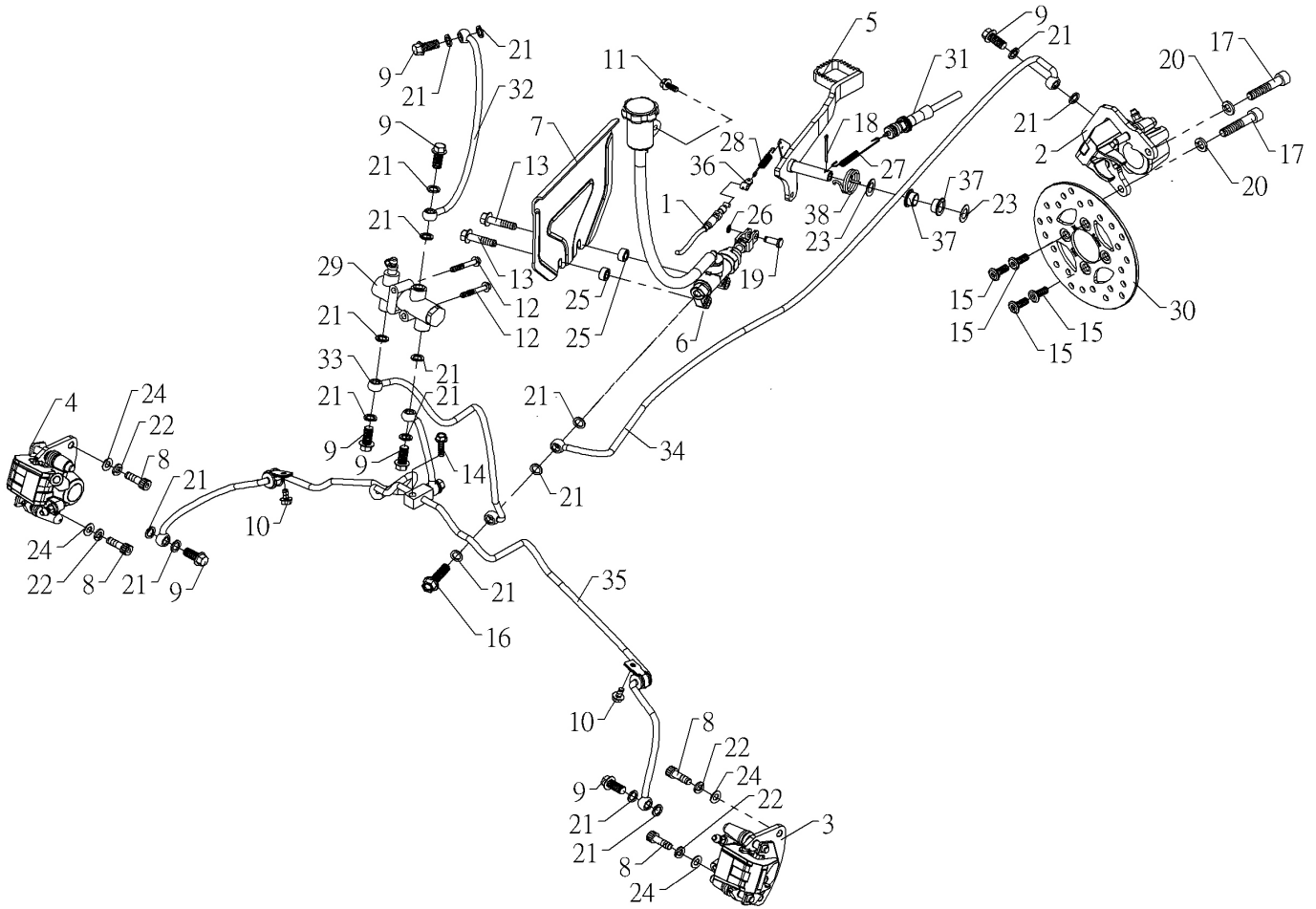
Item	Part no	Description	Specification	Q'ty
01	F210097-00	KNUCKLE,REAR		1
02	F210090-00	LOWER-RIGHT ARM		1
03	F210100A00	UPPER ARM (R)		1
04	F210118-00	PROTECTOR,RR DRIVE SHAFT R.H		1
05	F210122A00	ABSORBER,REAR SHOCK		1
06	F020140-00	GREASE VALVE		5
07	A010079-04	DOUBLE ROW ANGULAR CONTACT BALL	Ø35×Ø62×40t	1
08	A020017-00	BUSH	Ø17×Ø25×23L	10
09	A030055-00	OIL SEAL	TC9Y 48 65 8/13	1
10	A030057-00	OIL SEAL	TC9Y 47 60 6/10.5	1
11	A030058-00	CAP		10
12	A050017-41	HEX WASHER FACE BOLT	M6×1.0×12L	3
13	A050213-41	HEX WASHER FACE BOLT	M10×1.25×50L-8T	1
14	A050263-41	HEX WASHER FACE BOLT	M10×P1.25×74L	2
15	A050264-41	HEX WASHER FACE BOLT	M10×P1.25×65L	1
16	A050236-41	HEX WASHER FACE BOLT	M10×P1.25×135L	1
17	A050277-41	HEX WASHER FACE BOLT	M10×P1.25×125L	1
18	A050270-41	HEX WASHER FACE BOLT	M10×1.25×110L	1
19	A060007-41	HEX INSERT LOCK NUT	M10×1.25	7
20	A090055-00	SPACER	Ø17×Ø10×77.4L	1
21	A090056-00	SPACER	Ø17×Ø10×97.4L	1
22	A090058-00	SPACER	Ø17×Ø10×52.4L	2
23	A090059-00	SPACER	Ø17×Ø10×102.4L	1
24	A100030-00	C TYPE	Ø62	1
25	F210108-00	JOINT RR STABILIZER		1
26	A080114-00	SPACER	Ø10.2×Ø18×1.0t	2

SHAFT,REAR PROPELLER



Item	Part no	Description	Specification	Q'ty
01	F210088-00	SHAFT,FRONT PROPELLER		2
02	F210089-00	SHAFT,REAR PROPELLER		2
03	F210130-00	GEAR BOX ASSY,REAR DRIVER		1
04	F210131-00	D/F GEAR BOX ASSY		1
05	A060007-41	INSERT LOCK NUT	M10×1.25	4
06	A050068A41	HEXAGONAL FLANGE BOLT	M10×1.25×115L	1
07	A050201-41	HEXAGONAL FLANGE BOLT	M10×1.25×25L	2
08	A050237-41	HEXAGONAL FLANGE BOLT	M10×1.25×90	3
09	A110061-00	SPRING COMPRESSION	Ø36×52L	2
10	F210157-00	SHAFT PROPELLER B		1
11	F210158-00	SHAFT PROPELLER A		1

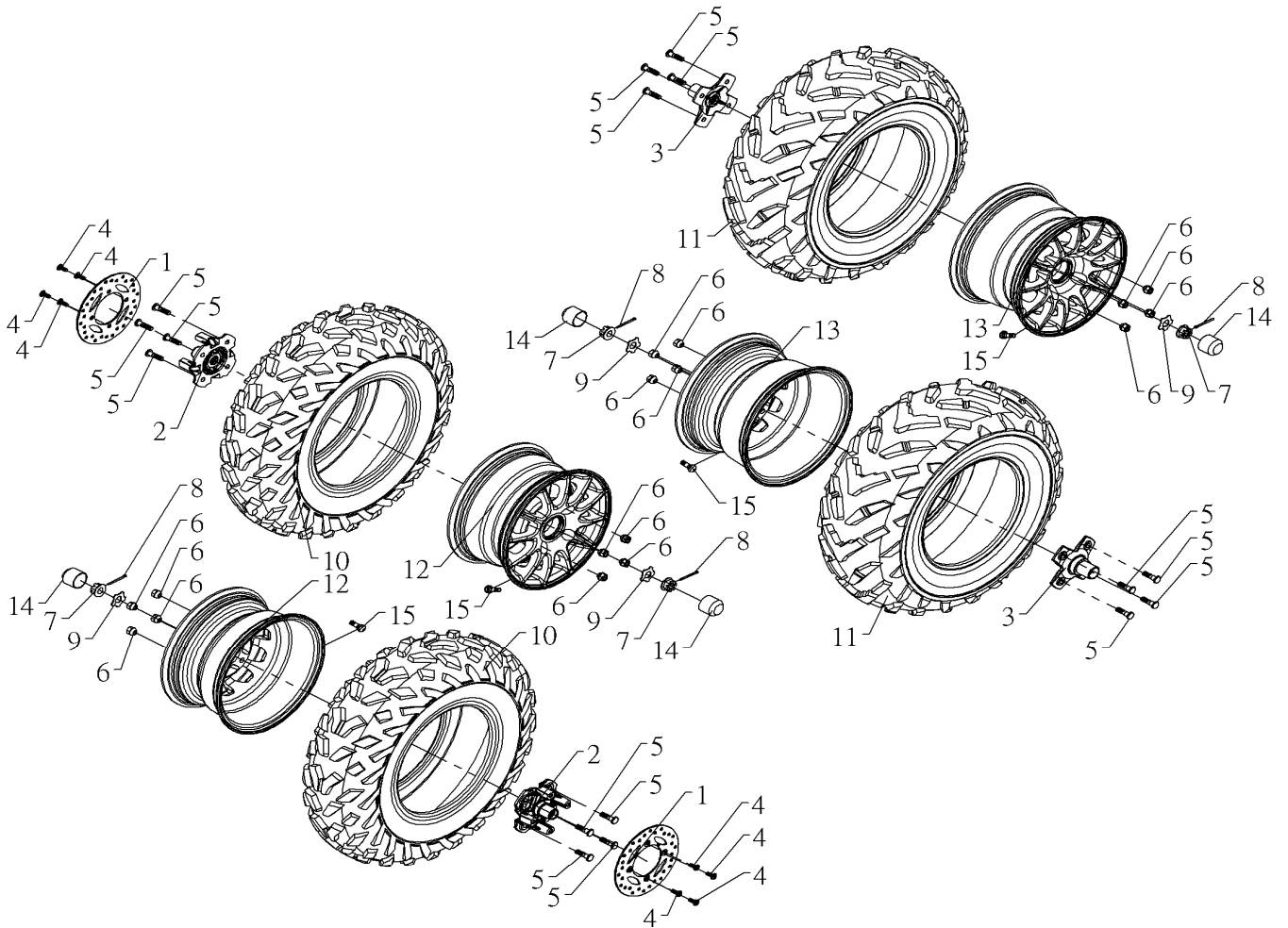
BRAKE SYSTEM



Item	Part no	Description	Specification	Q'ty
01	F210062-00	REVERSE SWITCH CABLE		1
02	F210103-00	REAR BRAKE ASSY.		1
03	F210105-00	FRONT BRAKE ASSY(L).		1
04	F210106-00	FRONT BRAKE ASSY(R).		1
05	F210111-48	PEDAL,BRAKE		1
06	F210141A00	CYLINDER ASS'Y MASTER		1
07	F210142-52	PROTECTOR		1
08	A050008-41	HEX SOCKET BOLT	M8×1.25×25	4
09	A050009-44	HEXAGONAL FLANGE BOLT	M10×1.25×22L	7
10	A050017-41	HEXAGONAL FLANGE BOLT	M6×1.0×12L	2
11	A050024-41	HEXAGONAL FLANGE BOLT	M6×1.0×16L	1
12	A050069-41	HEXAGONAL FLANGE BOLT	M6×1.0×40L	2
13	A050179-41	HEXAGONAL FLANGE BOLT	M8×1.25×35L	2
14	A050077-43	HEXAGONAL FLANGE BOLT	M6×1.0×25L	1
15	A050183-41	BOLT	M8×1.25×17L	4
16	A050196-44	HEXAGONAL FLANGE BOLT	M10×1.25×39L	1
17	A050276-00	HEX SOCKET BOLT	M10×1.5×50L	2
18	A070011-41	COTTER PIN	Ø2.8×32L	1
19	A070021-42	PIN	Ø7×15	1
20	A080009-41	SPRING WASHER	Ø10.2×3.7×2.5t	2
21	A080011-00	WASHER	Ø10.3×15×1.5	17
22	A080012-41	SPRING WASHER	Ø8.2×3.2×2t	4
23	A080086-41	WASHER	Ø13×Ø22×0.8t	2
24	A080095-41	WASHER	Ø8.2×Ø16×1t	4
25	A090060-41	SPACER	Ø15×Ø8.5×7.5	2

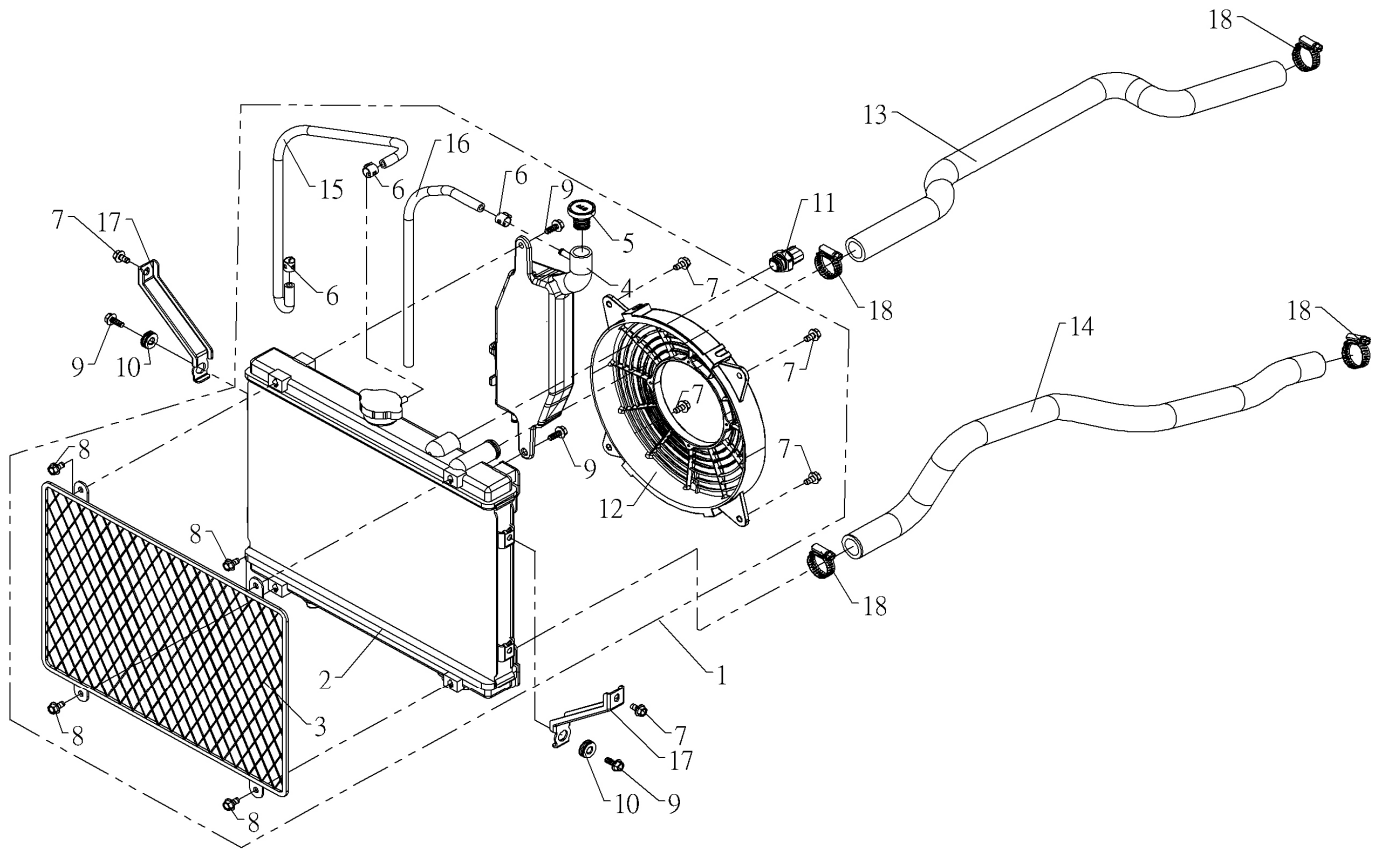
26	A100016-43	CIRCLIP,E TYPE	Ø5	1
27	A110040-43	SPRING	Ø8×Ø1.2	1
28	A110041-41	SPRING	Ø14×Ø12.5×49.5L	1
29	A220015-00	PRESSURE VALVE	Ø14	1
30	F210077-00	REAR DISK,BRAKE	Ø170	1
31	A190128-00	FOOT BRAKE SENSOR		1
32	A220067-00	BRAKING HOSE		1
33	A220070-00	BRAKING HOSE		1
34	A220071-00	BRAKING HOSE		1
35	A220072-00	BRAKING HOSE		1
36	F140203-00	CONNECTOR		1
37	F150046-00	BUSH		2
38	F170060A42	TORSION SPRING		1

WHEEL



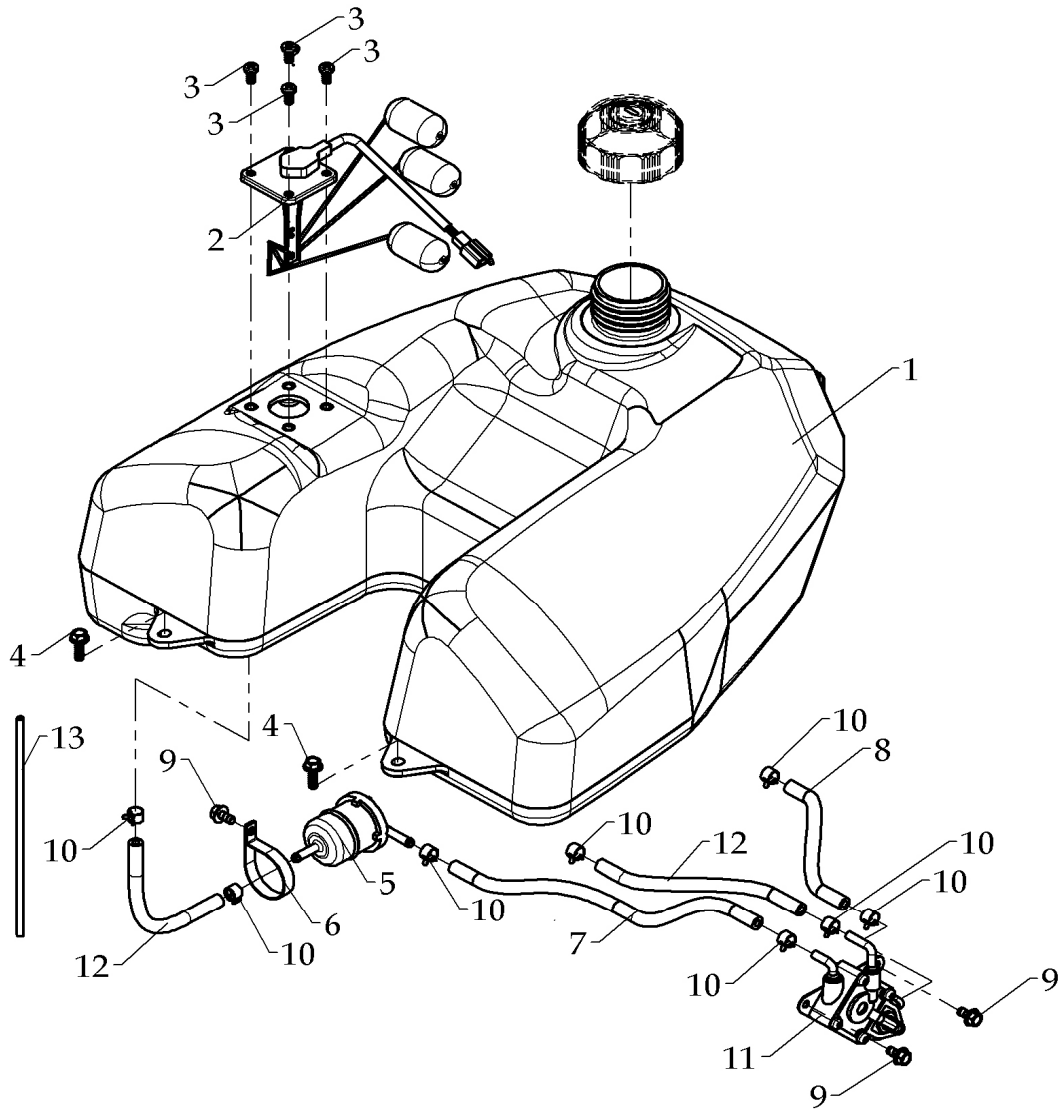
Item	Part no	Description	Specification	Q'ty
01	F210076-00	FRONT DISK,BRAKE	Ø200	2
02	F210101-48	HUB,FRONT WHEEL		2
03	F210107-48	HUB,REAR WHEEL		2
04	A050183-41	FHSC	M8×1.25×17L	8
05	A050208-41	INSERT BOLT	M10×1.25×40L	16
06	A060061-41	NUT	M10×1.25	16
07	A060081-42	CASTLE NUT	M18×1.5	4
08	A070048-41	COTTER PIN	Ø4×46L	4
09	A080126-00	SPRING WASHER		4
10	A250006-00	TIRE	AT25×8	2
11	A250007-00	TIRE	AT25×10	2
12	A250014-00	RIM	12×6	2
13	A250015-00	RIM	12×7.5	2
14	A990286-00	NAME PLATE		4
15	F020154-00	RIM VALVE		4

RADIATOR



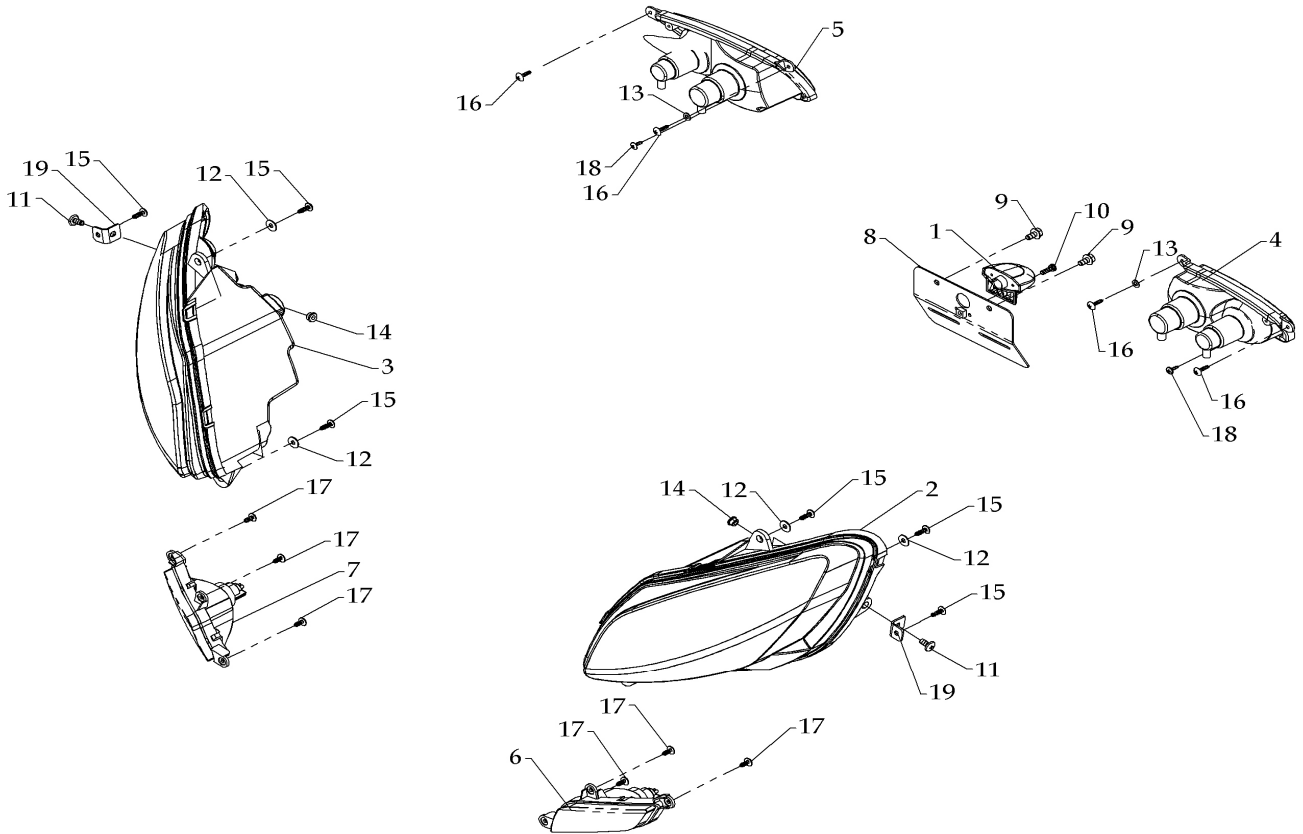
Item	Part no	Description	Specification	Q'ty
01	F210031-00	RADIATOR ASSEMBLY		1
02	F210051-00	RADIATOR		1
03	F210127-50	RADIATOR PROTECTOR		1
04	F210093-00	TANK, RESERVOIR		1
05	F210096-00	TANK, RESERVOIR		1
06	F020197-00	TUBE CLIP	9.2×0.6	3
07	A050017-41	HEXAGONAL FLANGE BOLT	M6×1.0×12L	6
08	A050017-43	HEXAGONAL FLANGE BOLT	M6×1.0×12L	4
09	A050024-41	HEXAGONAL FLANGE BOLT	M6×1.0×16L	4
10	A080124-00	BUSH		2
11	A190125-00	SWITCH, COOLING FAN		1
12	A190131-00	COOLING FAN ASSEMBLY		1
13	A220063-00	WATER HOSE	Ø21×Ø30×650L	1
14	A220064-00	WATER HOSE	Ø21×Ø30×730L	1
15	A220065-00	WATER HOSE	Ø6×Ø10.5×600L	1
16	A220066-00	WATER HOSE	Ø6×Ø10.5×410L	1
17	A230215-50	COOLER BRACKET		2
18	F150146-00	TUBE CLIP	Ø30~Ø40	4

FUEL TANK



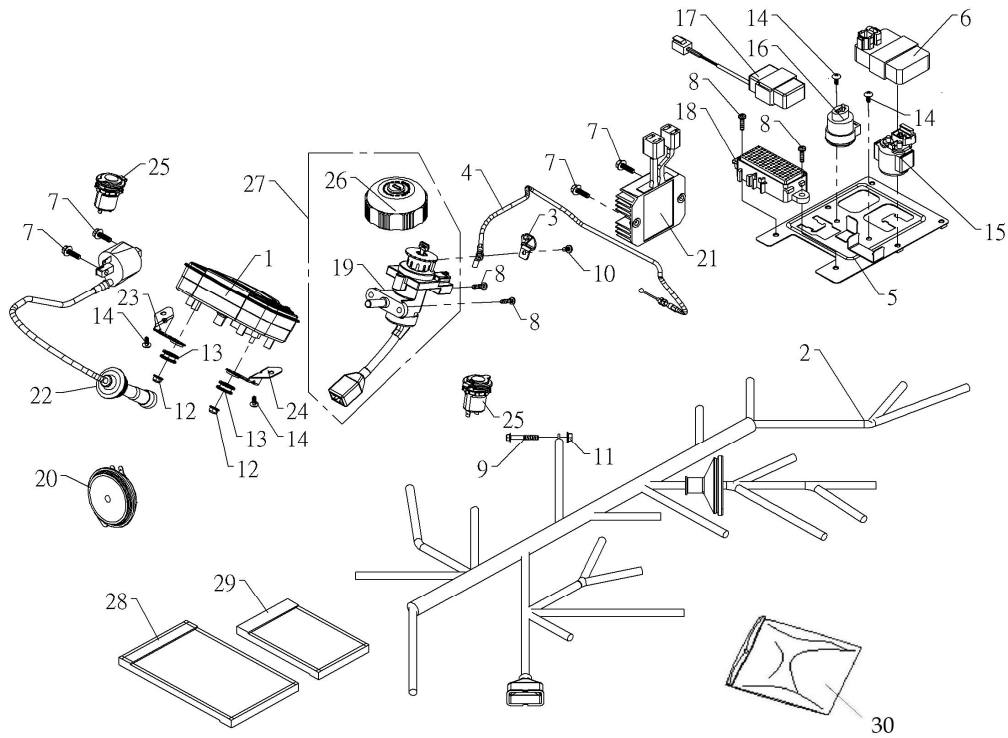
Item	Part no	Description	Specification	Q'ty
01	F210032-00	OIL TANK		1
02	F210058-00	FUEL TANK CAP LOCK		1
03	A050271-41	SCREW	M6×P1.0×12L	4
04	A050016-41	HEXAGONAL FLANGE BOLT	M6×1.0×20L	2
05	F150223-00	FUEL FILTER ASSEMBLY		1
06	A220073-41	STRAP		1
07	A220075-00	FUEL TUBE	Ø5.3×Ø10.5×280L	1
08	A220077-00	FUEL TUBE	Ø5.3×Ø10.5×130L	1
09	A050017-41	HEXAGONAL FLANGE BOLT	M6×1.0×12L	3
10	A220036-00	TUBE CLIP	Ø10×8×0.6t	8
11	A240005-00	FUEL PUMP,RETURN		1
12	A220076-00	FUEL TUBE	Ø5.3×Ø10.5×180L	2
13	F150116-00	FUEL TUBE	Ø2.6×Ø5×210L	1

LIGHT



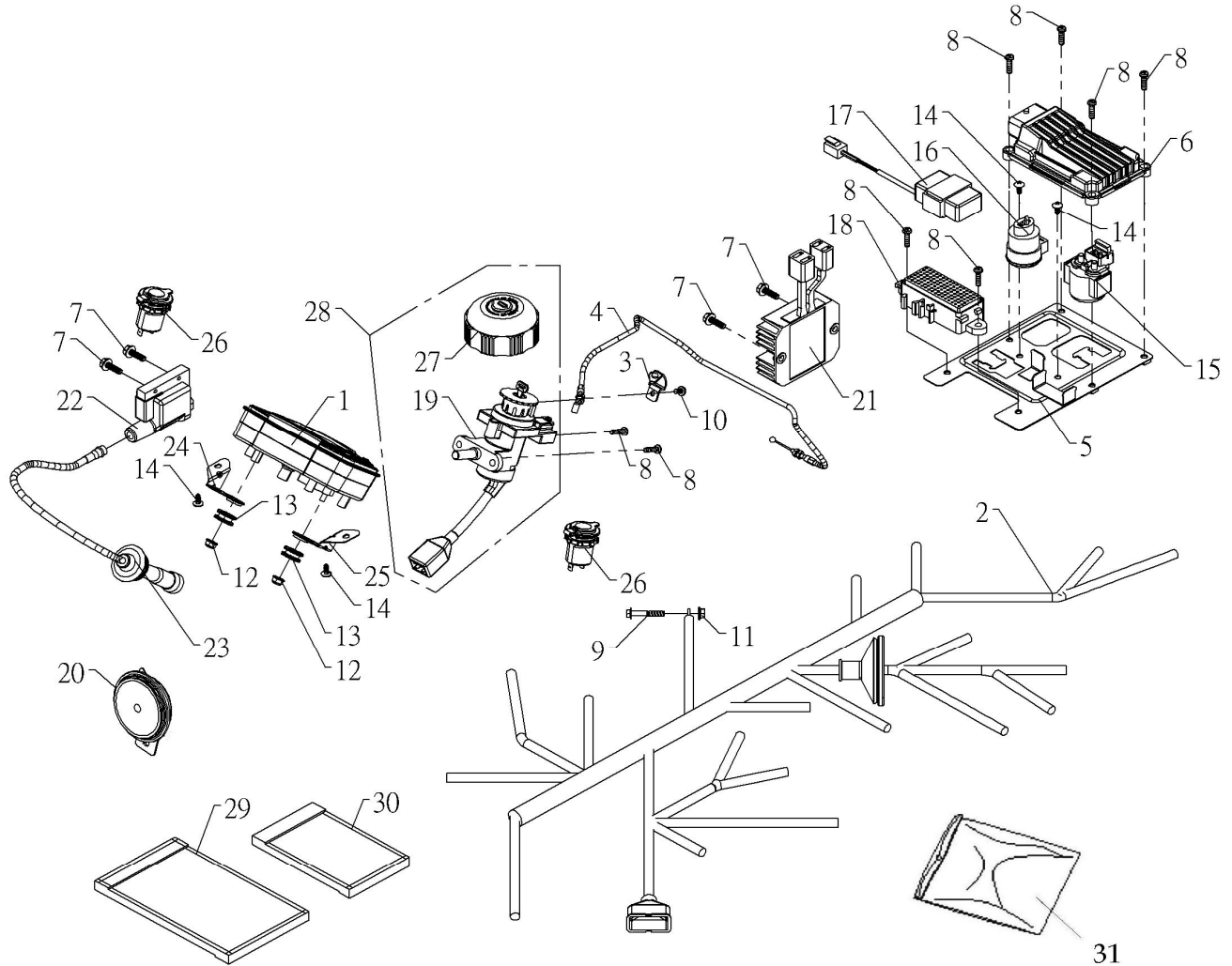
Item	Part no	Description	Specification	Q'ty
01	A180073-00	LAMPS,LICENSE PLATE		1
02	A180088-00	HEAD LIGHT	LEFT	1
03	A180089-00	HEAD LIGHT	RIGHT	1
04	A180069-00	TAIL LIGHT&DIRECTIONAL	LEFT	1
05	A180070-00	TAIL LIGHT&DIRECTIONAL	RIGHT	1
06	A180092-00	DIRECTIONAL	LEFT	1
07	A180093-00	DIRECTIONAL	RIGHT	1
08	F210048-50	LICENSE PLATE		1
09	A050017-41	HEX WASHER FACE BOLT	M6×1.0×12L	2
10	A050031-41	PAN HEAD BOLT	M5×0.8×16L	1
11	A050091-41	MACHINE SCREW	M6×1.0×12L	2
12	A080034-41	SPACER	Ø5.5×Ø15×1.0	4
13	A080041-00	SPACER	Ø5.3×Ø10×1t	2
14	A090053-42	BUSHING		2
15	A130005-43	TAPPING SCREW	5mm×16	6
16	A130007-43	TAPPING SCREW	4mm×16L	4
17	A130018-43	TAPPING SCREW	5mm×12L	6
18	A130024-43	TAPPING SCREW	4×12L	2
19	A230265-50	BRACKET		2

ELECTRIC SYSTEM



Item	Part no	Description	Specification	Q'ty
01	F210035-00	SPEEDOMETER	CAB	1
02	F210124-00	MAIN CABLE ASSY'		1
03	F210125-42	BRACKET		1
04	F210126-00	SEAT CABLE		1
05	F210027-50	BRACKET,ELECTRICS PARTS		1
06	A190108-00	C.D.I	63R	1
07	A050016-41	HEXAGONAL FLANGE BOLT	M6×1.0×20L	4
08	A050033-41	SCREW	M6×1.0×20L	4
09	A050139-41	HEXAGONAL FLANGE BOLT	M6×1.0×35L	1
10	A050159-41	PANHEAD SCREW & WASHER	M5×0.8×10L	1
11	A060009-41	HEX INSERT LOCK NUT	M6×1.0	1
12	A060053-41	HEX INSERT LOCK NUT	M6×1.0	2
13	A080125-00	BUSH		2
14	A130018-43	TAPPING SCREW	5mm×12L	4
15	A190102-00	STARTER RELAY		1
16	A190119-00	FLASH RELAY		1
17	A190070-00	STARTER RELAY		1
18	A190118-00	FUSE BOX		1
19	A190105-00	SWITCH ASSY,IGNITION		1
20	A190133-00	HORN		1
21	A190101-00	REGULATOR		1
22	A190107-00	IGNITION COIL		1
23	A230206-50	R.BRACKET , METER	RIGHT	1
24	A230208-50	L.BRACKET, METER	LIFT	1
25	A190109-00	TERMINAL ASSY		2
26	A190112-01	FUEL TANK CAP LOCK		1
27	A190113-00	LOCK COMPLEMENT		1
28	A930005-00	STRAP	120×200	1
29	F040097-00	JACKET		1
30	F210156-00	TOOL BAG		1

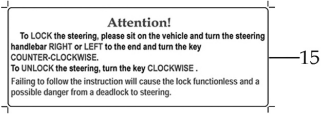
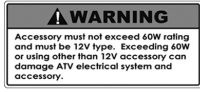
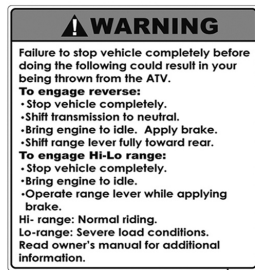
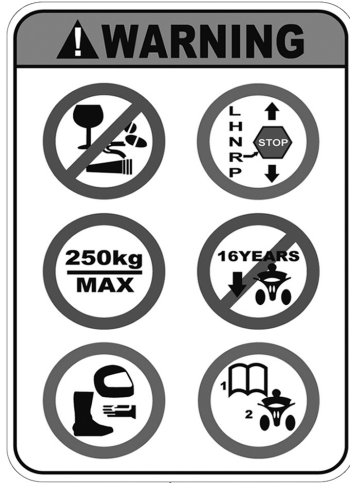
ELECTRIC SYSTEM (EFI)



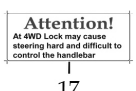
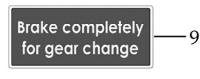
Item	Part no	Description	Specification	Q'ty
01	F210034-00	SPEEDOMETER	EFI	1
02	F210132-00	MAIN CABLE ASSY'		1
03	F210125-42	BRACKET		1
04	F210126-00	SEAT CABLE		1
05	F210027-50	BRACKET,ELECTRICS PARTS		1
06	E150168-00	ECU	M3C	1
07	A050016-41	HEXAGONAL FLANGE BOLT	M6×1.0×20L	4
08	A050033-41	SCREW	M6×1.0×20L	8
09	A050139-41	HEXAGONAL FLANGE BOLT	M6×1.0×35L	1
10	A050159-41	PANHEAD SCREW & WASHER	M5×0.8×10L	1
11	A060009-41	HEX INSERT LOCK NUT	M6×1.0	1
12	A060053-41	HEX INSERT LOCK NUT	M6×1.0	2
13	A080125-00	BUSH		2
14	A130018-43	TAPPING SCREW	5mm×12L	4
15	A190102-00	STARTER RELAY		1
16	A190119-00	FLASH RELAY		1
17	A190070-00	STARTER RELAY		1
18	A190118-00	FUSE BOX		1
19	A190105-00	SWITCH ASSY,IGNITION		1
20	A190133-00	HORN		1
21	A190101-00	REGULATOR		1
22	E150171-00	IGNTION COIL		1
23	A190117-00	HITRNSION CORD COMP		1

24	A230206-50	R.BRACKET , METER	RIGHT	1
25	A230208-50	L.BRACKET, METER	LIFT	1
26	A190109-00	TERMINAL ASSY		2
27	A190112-01	FUEL TANK CAP LOCK		1
28	A190113-00	LOCK COMPLEMENT		1
29	A930005-00	STRAP	120×200	1
30	F040097-00	JACKET		1
31	F210156-00	TOOL BAG		1
32	A050049-41	HEX WASHER FACE BOLT	M8×1.25×16L	1
33	A060014-41	INSERT LOCK NUT	M8×1.25	1

STICKERS



MANUFACTURED BY: DINLI METAL IND. CO.,LTD			
GVWR: 550 Kgs (1212 lbs)	DATE OF MEG:		
GAWR:	TIRE-DIMENSION-RIM	PSI	COLD
FRONT: 250 kgs (551 lbs)	25 X 8 - 12	5.0	
REAR: 300 kgs (661 lbs)	25 X 10 - 12	4.4	
THIS VEHICLE CONFORMS TO ALL APPLICABLE U.S. FEDERAL MOTOR VEHICLE SAFETY STANDARDS (FMVSS) AND EC DIRECTIVES IN EFFECT ON THE DATE OF MANUFACTURE SHOWN ABOVE.			
VEHICLE TYPE: 700 CC ATV			



Item	Part no	Description	Specification	Q'ty
01	A990289-00	STYLING STICKERS		1
02	A990292-00	PLATE,LOGO	DINLI-MARK	1
03	A990295-00	STICKERS		1
04	A990296-00	STICKERS		1
05	A990297-00	STICKERS		1
06	A990298-00	STICKERS		1
07	A990299-00	STICKERS		1
08	A990300-00	STICKERS		1
09	A990301-00	STICKERS		1
10	A990302-00	STICKERS		1
11	A990303-00	STICKERS		1
12	A990304-00	STICKERS		1
13	A990305-00	STICKERS		1
14	A990306-00	STICKERS		1
15	A990307-00	STICKERS		1
16	A990308-00	STICKERS		1
17	A990309-00	STICKERS		1