


UNDERSTAND ALL MESSAGES IN THIS MANUAL	1
COORDINATION OF THE VEHICLE IN THIS MANUAL	2
IMPORTANT SAFETY MESSAGE	3
LOCATION OF THE IMPORTANT LABELS	5
WARNING FOR OPERATION	9
VEHICLE INFORMATION	20
VEHICLE SPECIFICATIONS	20
Dimension and Dry Mass	20
Engine	20
Drive Train	20
Chassis	20
Electrical	21
Capacity	21
IDENTIFICATION OF THE VEHICLE	21
Vehicle Identification Number (VIN) Location	22
Engine Identification Number (EIN) Location	23
Key	24
LIQUIDS	24
Fuel	24
Refuel and Fuel Level	25
Engine and Transmission Oil	26
Engine and Transmission Oil Level	27
Front and Rear Differential Gear Oil	29
Front and Rear Differential Gear Oil Level	29
Engine Coolant	30
Engine Coolant Solution Level	31
Brake Fluid	32
Brake Fluid Level	32
Battery	34
Remove Battery	34
Install Battery	34
BREAK-IN	35
Engine	35
Belt	35
10 HOUR / 30 DAYS INSPECTION	35
CONTROL AND ADJUSTMENT	36
LOCATION OF EQUIPMENTS AND PARTS	36
(1) MAIN SWITCH	41
(2) INSTRUMENT PANEL	43
a. Shift Position Indicators	45
b. Direction Light Indicator	45
c. Speedometer	45
d. Odometer (ODO) / Trip meter	45
e. Clock	45
f. High-Beam Headlight Indicator	45
g. 4WD Indicator	46
h. Rear Differential Lock Indicator	46
i. Both Differential Lock Indicator	46
j. Coolant Temperature Indicator	46
k. Engine Check Warning	46
l. Oil Pressure Warning Indicator	47

m. Fuel Meter.....	47
n. Tachometer	47
o. Hazard Warning Indicator / Engine Speed Limit Indicator	47
(3) TRANSMISSION GEAR SHIFT KNOB	48
(4) 2WD/ 4WD SELECTION KNOB (ONLY FOR 4WD)	49
(5) LEFT HANDLEBAR CONTROLS	50
a. Headlight Switch	51
b. Hazard Warning Switch	52
c. Direction Light Switch	52
d. Horn Button	52
e. Override Button	52
f. Engine Start Button	53
g. Parking Brake Lever	54
h. Rear Brake Lever	55
i. Parking Brake Lock	55
(6) RIGHT HANDLEBAR CONTROLS	56
a. Engine Stop Switch.....	56
b. Differential Lock Switch	57
Power Delivery Options	58
c. Throttle Lever	60
d. Throttle Cable Tension Adjuster	60
e. Front Brake Lever	61
f. Throttle Limiter	61
(7) 12Volt ACCESSORY SOCKET	62
(8) FOOT BRAKE PEDAL	63
(9) REWIND STARTER	63
(10) REAR BOX	64
(11) FRONT BOX	65
PRE-OPERATING CHECK	66
OPERATING YOUR ATV	67
YOU HAVE TO REMEMBER BEFORE OPERATION	67
INSPECTION BEFORE DRIVING	68
WHAT TO WEAR	70
STARTING THE ENGINE	72
BRAKING	73
TURNING	74
SKIDDING OR SLIDING	75
OPERATION ON HILLS	77
Climbing the Hill	78
Descending a Hill	80
TRAVERSING A SLOPE	81
DRIVING OVER OBSTACLES	82
DRIVING THROUGH WATER	83
DRIVING IN COLD WEATHER	85
Pre-ride Inspection	85
Dressing for Cold Weather Driving	86
Driving on Snow, Ice, or Any Slippery Surface	87

DRIVING IN REVERSE	88
MAINTENANCE	89
INSPECTION AND MAINTENANCE	89
TOOL KIT	91
ELECTRICAL HOUSING	92
BATTERY	93
SPARK PLUG	94
THROTTLE CABLE ADJUSTMENT	95
FUEL LINES	96
ENGINE OIL AND FILTER CHANGE	97
AIR CLEANER	98
AIR CLEANER DRAIN TUBES	101
ENGINE COOLANT CHANGE	101
GEAR OIL CHANGE	103
TIRES FOR OFF ROAD	104
Tire Thread Condition	105
TIRES FOR ON ROAD	105
Tire Thread Condition	106
Tire Pressure	106
TIRE REPLACEMENT	107
FRONT AND REAR WHEEL FREEMOVE	107
BRAKE PADS	108
BRAKE FLUID	109
FUSES	110
LIGHT BULB REPLACEMENT	111
HEADLIGHT	111
BRAKE / TAILLIGHT	113
TRAILER TOWING	114
VEHICLE/TRAILER LOAD	114
TROUBLESHOOTING	116
PREPARTION FOR WINTER DRIVING	118
TRANSPORTING	118
CLEANING PROCEDURE AND STORAGE PROCEDURE	118
PREPARATION FOR CLEANING	119
WASHING YOUR VEHICLE	119
INSPECTION AFTER CLEANING	120
STORAGE PROCEDURE	120
Vehicle	120
Fuel	120
Engine	121
Battery	121
Tire	121
External	121
PROCEDURE FOR RETURNING TO SERVICE	121
WARRANTY	122

UNDERSTAND ALL MESSAGES IN THIS MANUAL

Many important safety messages are printed in this manual and on the vehicle. Before operating the vehicle, realize all contents and special messages labeled with the ALERT symbol  and the words **WARNING**, **CAUTION** and **NOTE** which have special meanings. Fail to follow the contents and special messages when operating this vehicle can cause the SEVERE INJURY AND DEATH.

WARNING is as below:

Warning

Indication of highly potential hazard which may cause SEVERE INJURY or DEATH.

CAUTION is as below:

CAUTION

Indication of highly potential hazard which may cause VEHICLE DAMAGE.

NOTE is arranged as below:

NOTE: Indication of specific information for user to maintain or operate the vehicle easier.

WARNING and CAUTION are arranged as below format:

WARNING or CAUTION

This first part will describe the POTENTIAL HAZARD.

This second part will state WHAT CAN HAPPEN If you ignore the message.

The third part will state HOW TO PREVENT THE HAZARD.

COORDINATION OF THE VEHICLE IN THIS MANUAL



Top View of the Vehicle

IMPORTANT SAFETY MESSAGE

- **THIS VEHICLE IS NOT A TOY AND CAN BE HAZARDOUS TO OPERATE:** The maneuver of this vehicle is different from other types of vehicles including motorbikes and cars. Improper operation without taking proper precautions, a collision or rollover can occur quickly. If the rider does not follow the instructions in this manual, it can cause **SEVERE INJURY OR DEATH.**
- **Read this manual carefully before operating the vehicle.** This manual contains important safety information. Please read carefully and fully understand all of the contents in this manual before operating the vehicle.
- **Always follow the instructions in this manual when operating the vehicle.** Improper operation of this vehicle may cause **SEVERE INJURY OR DEATH.**
- **Take a training course before operating this vehicle.** Beginners should attend the training course provided by specific instructor licensed by local authorities. Please contact a authorized ATV dealer or organization to find out the training course available in your area.
- **Never allow any person under 16 years old to operate this vehicle.**
- **Follow the instruction in this manual to carry a passenger on this vehicle.**
- **Not for SPORTS or RACE use, never attempt jumps, wheelies, or stunts.** This vehicle is designed and manufactured under the instructions of EU DIRECTIVES ON TWO OR THREE-WHEEL MOTOR VEHICLES. This vehicle is NOT designed and manufactured for SPORTS OR RACE use. This vehicle complies with all applicable EU directives, regulations, and laws in effect at the time of manufacture.
- Operating this vehicle on any public street, road, or landscape should follow the instructions, directives, regulations, and laws of the local authorities. Please check any applicable local instructions, directives, regulations, and laws and consult with the local authorities before operating this vehicle.
- **Never operate this vehicle on highway.** This vehicle is NOT designed and manufactured for highway use.
- **Always operating this vehicle with proper protection:** Rider and Passenger on this vehicle should always wear approved helmet and protection gears (goggles or face shield, gloves, boots, long sleeved shirt, jacket, and long pants).
- **Never consume drugs, alcohol, food, or drinks which can affect your physical capability before or while operating this vehicle.**
- **Always operate this vehicle at a speed which is proper for the operating condition, terrain, visibility, weather, environment, your skill and experience.** Improper operation at excessive speed can cause **SEVERE INJURY or DEATH.**
- **Always follow the inspection and maintenance procedures and schedules stated in this manual. Always inspect this vehicle each time and confirm it is safe for operation before operating.**
- **Always keep both feet on the footrests and hands on the handlebars to operate this vehicle.**
- **Always ride this vehicle slowly and be extremely careful when passing unfamiliar terrain especially the changing terrain.**

- Never operate this vehicle on unfamiliar terrain without learning and practice before in the training course.
- Always operate this vehicle by proper procedures described in this manual and check if you can handle the operation on the terrain before entering.
- Never open the throttle suddenly, go high speed, and make sudden gear changes when operating this vehicle in difficult terrain, hill, valley, or any not level status.
- Never operate an ATV through fast flowing water or in deep water. Be aware of that stop capability of brake may be reduced by water. Always test the brake and confirm the brake force sufficient when the brake could be wet.
- Always confirm that there is no obstacle, person, or animal behind the vehicle before operate the vehicle in reverse. When go reverse, always go slowly.
- Always use tires in specification of this manual and inflate the tire with right air and maintain the tire pressure in specification.
- Never attempt to modify an ATV via installing not genuine parts, improper installation, or equipping improper accessories.
- Never put the payload over the loading capacity stated in this manual and labels on the vehicle. Always confirm the payload is proper distributed on the vehicle and attached securely. Reduce speed, increase safety clearance for stopping the vehicle, and follow the instructions in this manual for carrying payload, passenger, towing, or any material increasing the total gross weight of the vehicle.
- Always follow the instructions in this manual when you are taking a passenger.
- You should install specific genuine components for the passenger sitting on the vehicle securely. Confirm with your local authorities if it is legal to carry a passenger on the vehicle in the area.
- **FOR MORE INFORMATION ABOUT ATV SAFETY**, please consult with the distributors of CECTEK in your country.

REMEMBER:

Warning

Indication of highly potential hazard which may cause SEVERE INJURY or DEATH.

All information and content in this manual are based on the latest product information available at the time of publication. Due to improvement, optimize, or changes, there may be discrepancies in this manual. CECTEK reserves the right to make change at any time without notice and without incurring any obligation.

LOCATION OF THE IMPORTANT LABELS

WARNING AND SPECIFICATION LABELS ON THE VEHICLE

Carefully read all labels on the vehicle. If you could not exactly understand all of the labels, please consult with your local dealer. Those labels contain very important safety information and notes for operation of the vehicle.

Those labels should be a permanent part of the vehicle and should be always clear for reading. If the labels are too dirty to be read or come off, please contact your local dealer for replacement.









Label 1

WARNING

Improper ATV use can result in SEVERE INJURY or DEATH.



ALWAYS USE AN APPROVED HELMET AND PROTECTIVE GEAR.



NEVER USE WITH DRUGS OR ALCOHOL.

NEVER ride :

- without proper training or instruction
- at speed too fast for your skills or the conditions

ALWAYS :

- use proper riding techniques to avoid vehicle overturns on hills and rough terrain and in turns
- avoid paved surfaces-pavement may seriously affect handling and control
- obey traffic regulations on public roads to avoid a collision with another vehicle

READ OWNER'S MANUAL, FOLLOW ALL INSTRUCTIONS AND WARNINGS.

8006-6004

Label 2

WARNING


NEVER carry passenger on this carrier.

- Maximum load without passenger : 40 kg (88 lbs)
- Maximum load with passenger : 20 kg (44 lbs)

8006-6006

Label 3

WARNING



Operating this ATV if you are under the age of 16 increases your chance of SEVERE INJURY or DEATH.

NEVER operate this ATV if you are under age 16.

8006-6005

Label 4 (for 4WD only)

WARNING

MUST let ATV stop before shifting lever. Always apply foot break to shift from Park (P) and Neutral (N) .

MUST let ATV stop to engage or disengage 4WD switch.

Mechanical damage may occur if switch is engaged or disengaged while driving.

8006-6003

Label 4 (for 2WD only)

WARNING

MUST let ATV stop before shifting lever. Always apply foot break to shift from Neutral (N) .

Mechanical damage may occur if switch is engaged or disengaged while driving.

8006-6008

Label 5 (for OFF ROAD only)

WARNING

Improper tire pressure or overloading can cause loss of control.

Loss of control can result in severe injury or death.

ALWAYS maintain proper tire pressure as shown below.

COLD TIRE PRESSURE	
FRONT :	30 kpa , 0.30 kgf / cm ² , 4.4 psi
REAR :	35 kpa , 0.35 kgf / cm ² , 5.1 psi

NEVER exceed the Vehicle Total Load Capacity of 170 kg (375 lbs) .

8006-6001

Label 5 (for ON ROAD only)

WARNING

Improper tire pressure or overloading can cause loss of control.

Loss of control can result in severe injury or death.

ALWAYS maintain proper tire pressure as shown below.

COLD TIRE PRESSURE	
FRONT :	55 kpa , 0.55 kgf / cm ² , 8.0 psi
REAR :	55 kpa , 0.55 kgf / cm ² , 8.0 psi

NEVER exceed the Vehicle Total Load Capacity of 170 kg (375 lbs) .

8006-6017

Label 6

WARNING

Exceeding vehicle towing limit could lead to an accident. Reduce speed when towing a trailer.

Read owner's manual for details.

MAXIMUM TOWING CAPACITY : 170kg (375 lbs)

MAXIMUM TORQUE CAPACITY : 17kg (37 lbs)

8006-6002

WARNING FOR OPERATION

You should read all of the following information before DRIVING . If you are NOT properly prepared, NEVER try to operate this vehicle.

Warning



- Operating this Vehicle without proper training can be hazardous.
- If you do not know how to operate this vehicle properly in different situations and on different type of terrain, accident can be happen.
- Beginnings and inexperienced operators should complete the certified training course. They should regularly practice the skills learned in course and the operating techniques in this owner's manual. For more information about the training course, contact CECTEK authorized dealers.
- Always operate the vehicle at low speed until you are thoroughly familiar with the operation of the vehicle.
- Take the time to learn the basic techniques well before attempting more difficult operate.

 Warning



- Operating this vehicle by children under age 16 can be hazardous.
- Operated by children under age 16 can result in their severe injury or death. Children under age 16 do not have the physical capability, skills, abilities, or judgment needed to operate this vehicle safely.
- Never allow any children under age 16 to operate this vehicle.

⚠ Warning




- Operating this vehicle after consuming alcohol or drugs can be hazardous.
- Alcohol and drugs can
 1. Seriously affect your judgment.
 2. Cause you to react more slowly.
 3. Affect your balance and perception.
- Operating this vehicle after consuming alcohol or drugs can result in an accident or death.
- Never consume alcohol or drugs before or while DRIVING this vehicle.

 Warning



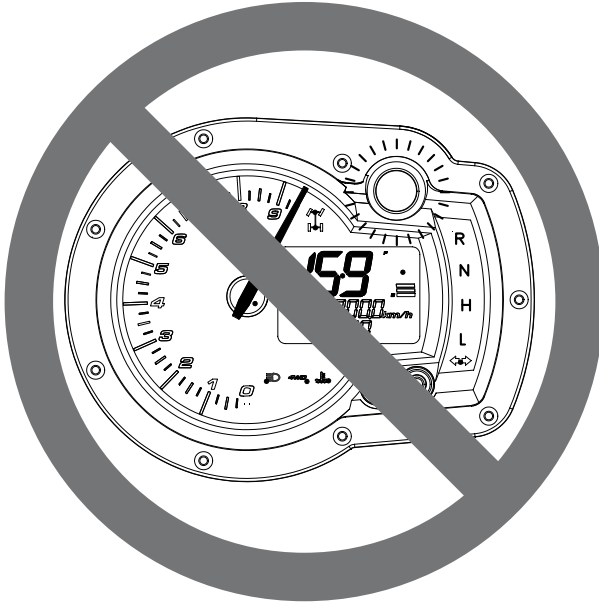
- Operating this vehicle on paved surface, including sidewalk, paths, parking lots, driveways, and streets can be hazardous.
- This vehicle tires are designed for off-road use only. DRIVING on paved surfaces may seriously affect handling and control of this vehicle, and may cause the vehicle to go out of control.
- Avoid operating the vehicle on any paved surfaces whenever possible.
- If you must ride on paved surface, ride slowly and do not make turns or stops suddenly.

 Warning



- Operating this vehicle on public streets, roads, or highways without following the law and regulations can be hazardous.
- Always follow your local laws and regulations when you are DRIVING on the roads.

 Warning



- Operating this vehicle at excessive speeds can be hazardous.
- Speeding could increase the chances of losing control the vehicle, which can result in an accident.
- Always travel at a speed that is proper for the terrain, visibility and operating conditions, and your skills or experience.

 Warning



- Attempting wheelies, jumps, and other stunts can be hazardous.
- Never attempt stunts, such as wheelies or jumps.

 Warning



- Removing hands from the handlebars or feet from the footrest when operating the vehicle can be hazardous.
- Removing any hand or foot when operating the vehicle can reduce your ability to control the vehicle or lose your balance and fall off the ATV. If you remove a foot from the footrest, your foot or leg may come into contact with the rear wheels, which could injure you or cause an accident.
- Always keep both hands on the handlebars and both feet on the footrest during the operation.

 Warning



- Failure to operate this vehicle extremely carefully on excessively rough, slippery or loose terrain can be hazardous.
- Failure to operate this vehicle extremely carefully could cause loss of traction or vehicle control, which could result in an accident, including an overturn.
- Do not operate on excessively rough, slippery or loose terrain until you have learned and practiced the skills necessary to control this vehicle on such terrain.
- Always operate this vehicle extremely carefully on these kinds of terrain.

⚠ Warning



- Failure to operate this vehicle extremely carefully on unfamiliar terrain can be hazardous.
- You may hit the hidden obstacles without enough time to react, It could cause severely injury or death.
- DRIVING slowly and extremely carefully when operating on unfamiliar terrain.
- Always be alert to changing terrain condition when operating this vehicle.

VEHICLE INFORMATION

VEHICLE SPECIFICATIONS

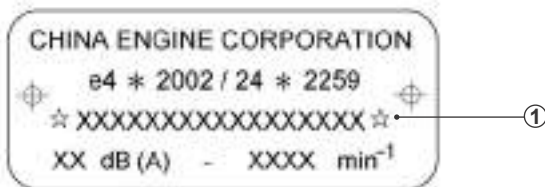
Dimension and Dry Mass	KINGCOBRA		ESTOC
	ixd	ix	
Overall length	2040mm		1985mm
Overall width	1250mm		1267mm
Overall height	1225mm		1108mm
Wheelbase	1320mm		1300mm
Ground clearance	314mm		137mm
Front track	1106mm		1115mm
Rear track	1066mm		1115mm
Seat height	900mm		756mm
Dry mass	332kg	331kg	324kg
Engine			
Type	4 Stroke , SOHC , 4-valve		
Number of cylinder	single		
Bore	90mm		
Stroke	78mm		
Displacement	496.2cm ³		
Compression ratio	10		
Fuel system	Close-Loop Electronics Fuel Injection		
Air cleaner	Synthetic paper filter with foam		
Starter system	Electric		
Lubrication system	Wet sump		
Drive Train			
Clutch	N / A		
Transmission	Automatic CVT With CECTEK Knob		
Transfer	V-belt		
Gearshift pattern, Transmission	Automatic		
Transfer	R-N-H-L (Hand operated)		
Automatic transmission ratio	Continuously variable change (1.581-0.316)		
Transmission reduction ration, High	1.333 (36/27)		
Low	2.500 (45/18)		
Reverse	2.833 (34/12)		
Secondary reduction ration	2.462 (32/13)		
Final Differential ratio (Front & Rear)	3.6(36/10)		
Chassis			
Front suspension	Independent Dual A-Arm, Forged Aluminum Upper Arm		
Rear suspension	Independent Dual A-Arm, Forged Aluminum Upper Arm		
Caster	-2°		-7°
Toe-in	0-5 mm (One Side)		
Camber	Front Wheel : -1° ~ -2°		
	Rear Wheel : 0° ~ -1°		
Steering angle	15°		
Front brake	200mm	250mm	
Rear brake	188mm		
Front tire size	AT 25x 8-12		195/45R15
Rear tire size	AT 25x10-12		205/55R15

Electrical	
Ignition type	Electronic ignition (CDI)
Spark plug	Champion PRG7C
Battery	12V 64.8 kC (18Ah) / 10HR
Fuse	30/10/10/10/15/15/15/10 A
Generator	Three-phase A.C. generator
Headlight	12V 55/55W x 2
Position light	12V 5W
Brake/ Traillight	12V 21W
Park indication light	LED
Speedometer light	LED
Coolant temperature gauge light	LED
Neutral indication light	LED
High beam indicator light	LED
Reverse indicator light	LED
High gear indication light	LED
Low gear indication light	LED
Capacity	
Fuel tank	18L
Engine oil, oil change	3L
with filter change	3.5L
Differential gear oil	325c.c.
Engine coolant	3550c.c.

IDENTIFICATION OF THE VEHICLE

The title document of your vehicle always contains the chassis serial number and engine serial number, for identification of your vehicle and further parts replacement, you need to find out the location of those two serial numbers.

These numbers are required for authorized CECTEK dealer to serve your warranty claim properly. If the vehicle identification number and engine identification number are removed, unidentified, or juggled, CECTEK may not be able to provide the warranty.

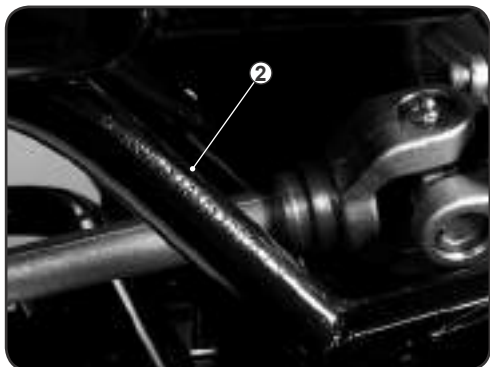


Vehicle Serial Number Plate

1. VIN (Vehicle Identification Number)

Vehicle Identification Number (VIN) Location

The chassis serial number (1) is stamped on the upper-after chassis frame.



- ① Vehicle Identification Number (VIN) location
- ② Vehicle Identification Number

Engine Identification Number (EIN) Location

The engine serial number (2) is stamped on the upper-right of the engine crank case.

Please write down the serial number here for your ease to refer.



① Engine Identification (EIN) location

VIN	
EIN	

Key

This Vehicle comes with two keys and an identification plate. Spare the key with identification plate in safe place. Please record your key number on the identification plate for your future reference.



Key Number:	
-------------	--

LIQUIDS

Before your operation, please check the levels of all liquid and refer to MAINTENANCE section to refill or replace the liquids.

Fuel

Only regular unleaded gasoline having a Research Octane Number (RON) above 95 can be used on this vehicle. In most gas stations in Europe, labeled pump octane number corresponds to Research Octane Number (RON). Normally, you can find a sticker stating the Research Octane Number (RON) on the pump. If you could not confirm the fuel can meet above requirement or not, please check with the gas station operator or fuel supplier.

CAUTION

Never try to use other fuels. Using incorrect fuel could result in damage to vehicle, critical parts in the fuel system, and engine. CECTEK are not responsible to cover those damages under the Warranty.

Refuel and Fuel Level



Fuel Cap

- ① Fuel cap lock
- ② Fuel cap unlock

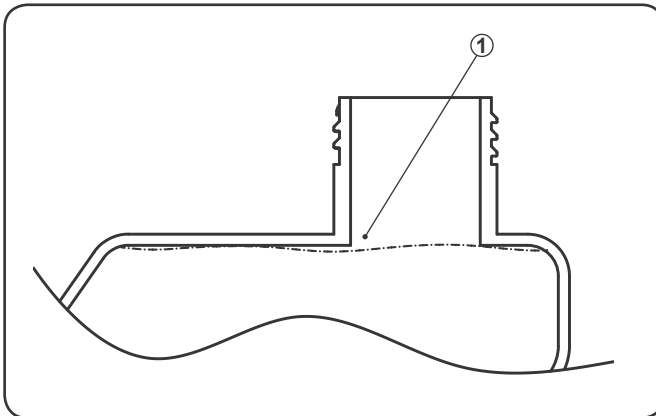
Open the fuel tank lock protector. Insert the key and turn the key counterclockwise to unlock the fuel tank cap. Turn the fuel tank cap counterclockwise to open the cap.

To close the fuel tank cap, turn the fuel tank cap clockwise till it clicks. Turn the key clockwise and remove the key. Close the fuel tank lock protector.

Always make sure the fuel is sufficient to finish your journey.

Fuel tank capacity: Total: 18 Litter

Never refuel over the fuel tank neck. Confirm no leaks. Do not leave the fuel tank open without care.



Fuel Tank Neck

- ① Maximum Fuel Level

Warning

Fuel is flammable and explosive under certain status. Gasoline vapor can harm you health.

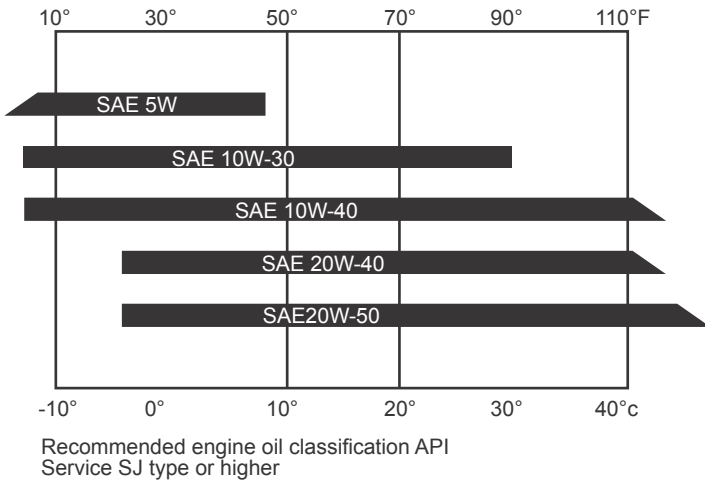
Stop engine before refueling. Open the fuel tank cap slowly. Only fully open the cap after there is no whistling sound heard when you loosening the cap of fuel tank. Always keep open flame and sparks away from the area. Always keep the area in good ventilation and avoid breathing gasoline vapors. Never top up the fuel tank over the maximum fuel tank capacity. When the temperature increases, fuel will expand and overflow. Always wipe off any fuel out from the tank. Always keep children and pets away when refueling. Refueling in improper process, area, and circumstance could result in fire or toxic, fumes pollution.

CAUTION

Spilled gasoline can harm your vehicle.
Please fill the fuel tank carefully.
Please clean and wipe spilled gasoline immediately.

Engine and Transmission Oil

Since engine and transmission lubrication system is integrated in the crank case of the engine, use the same oil lubricate both engine and transmission. High-quality and high-detergent 4-stroke engine oil exceeding the specification of API service classification SJ or higher. The viscosity of oil should follow the temperature range of your area according to below chart.



Engine and Transmission Oil Level

Warning

Hot oil spilled on skin can result in injury.

When the chamber is warm, the oil can be still hot. Open the dipstick or cap on the chamber without following the instruction could let the oil spill out.

Always confirm that the chamber containing the oil is cold before open the dipstick or oil filter cap.

CAUTION

Always check engine/transmission oil before your operation and refill it necessary. Only open the dipstick and oil filter cap when engine is cold. Never overfill. Always wipe off the spilled oil.

Improper oil level may damage the engine and transmission. Spilled oil can harm the vehicle.

Dipstick Location: Right Hand Side (RHS) of the Engine



① Dipstick

Put the vehicle on a level surface. Confirm the engine is cold and not running. Check the oil levels as follows:

- a. Turn the dipstick counterclockwise, remove it and wipe it clean.
- b. Insert the dipstick back, turn the dip stick clockwise but do not tighten it.
- c. Remove the dipstick again and check the oil level.
- d. Confirm the oil level in the proper range.



Engine Oil Levels

- ① Maximum
- ② Fill
- ③ Normal range

Total engine oil capacity: 3.5 Liter

CAUTION

Contaminated oil may damage the engine.

If the oil level is over the level unexpectedly, the oil may be contaminated by external liquid.

Contact CECTEK authorized for inspection and diagnostic.

NOTE: Requiring frequently engine coolant solution refilling could be the indication of leaks or engine problem. Consult to the authorized CECTEK dealer for detail.

Front and Rear Differential Gear Oil

Use a SAE 80W-90 hypoid gear oil on API classification GL-5 to fill the front differential.

If the vehicle is operated under ambient temperature 0°C, use a SAE 80W-90 hypoid gear oil on API classification GL-5.

Recommend oil type: PENNZOIL 4096 80W-90 GL-5

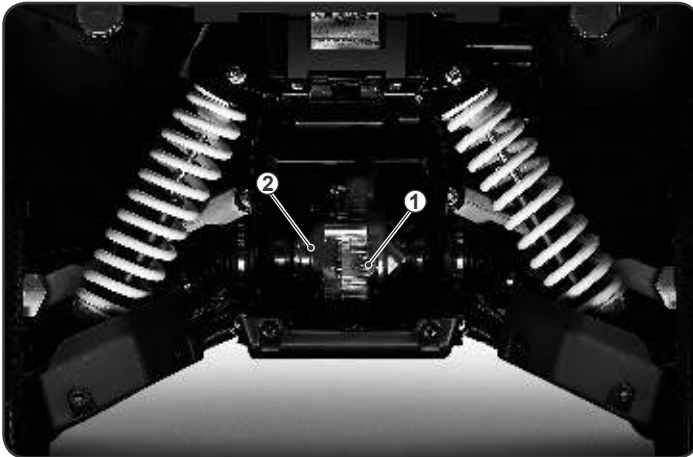
Front and Rear Differential Gear Oil Level

Put the vehicle on a level surface. Confirm the differential is cold. Check the oil levels as bellows:

- a. Turn the refill cap counterclockwise, remove it.
- b. Fill the differential gear oil up to the refill port.
- c. Install the refill cap clockwise to install.

Wipe off spilled oil and confirm there is no leakage from the cap.

Maximum differential gear oil capacity: 300 cc when drain out fully



Differential Oil Filling Port

- ① Oil fill cap
- ② Maximum oil level

Engine Coolant

Only ethylene-glycol antifreeze with corrosion inhibitors coolant for internal combustion aluminum engines and aluminum radiator can be used in the coolant system of this vehicle. The water and antifreeze solution should be in the ratio of 50:50 (50% water, 50% antifreeze). Engine coolant is not only affecting the cooling efficiency but also the rust inhibiting performance.

Required engine coolant solution capacity	
Total capacity:	3550c.c.
Engine Coolant:	1775c.c.
Water:	1775c.c.

Warning

Only check the engine coolant when the engine is cold. Hot steam out from the coolant system can result in injury. Swallowing engine coolant can result in severe injury or death.

Do not drink coolant solution. If you swallow it incidentally, do not vomit. Contact emergency medical service immediately. Do not inhale the vapor of coolant solution; keep the working area well ventilated. Do not get the coolant on skin or eyes. Once get the coolant on skin or eyes, flush with water and seek medical service.

Always keep coolant not available for children and animals.

CAUTION

Engine coolant can harm the external of your vehicle.

Wipe off any spilled engine coolant immediately.

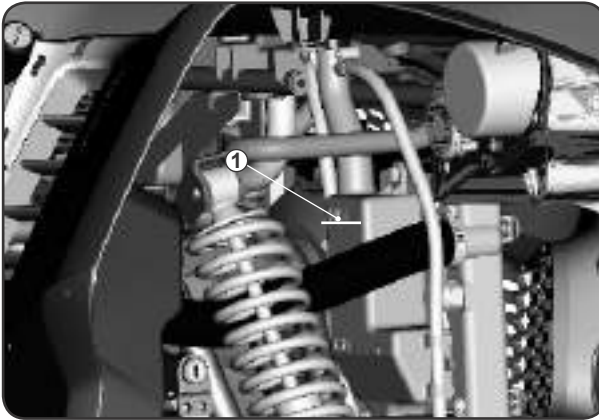
Engine Coolant Solution Level

1. Confirm the engine is cold and remove front access panel.
2. Put the vehicle on a level surface.
3. Remove the rubber cap of the reservoir.
4. Fill the engine coolant solution into the reservoir under the front access panel.
5. Make sure the engine coolant solution level is between MAX. and MIN. marks. Do not over fill.
6. Reinstall the reservoir cap. Run the engine for few minutes and check the engine coolant solution level still in the normal range.



Engine Coolant Fill Cap

- ① Engine Coolant Fill Cap



① Engine Coolant Maximum Level

Brake Fluid

Only DOT 3 brake fluid can be filled into the brake system.

CAUTION
Use brake fluid other than the DOT3 or mix different brake fluids for topping up could cause serious damage of your vehicle.

Brake Fluid Level

1. Put the vehicle on a level surface. Remove the front access panel.
2. Turn the steering handle in the neuter position and confirm the hand brake reservoir is level.
3. Confirm the brake fluid is above the MIN. mark.
4. Clean filler cap before removing.
5. Unscrew the two bolts on the filler cap and remove the reservoir cap on the steering handle.
Turn the cap of reservoir under the front access panel counterclockwise to remove the cap.
6. Fill the DOT 3 brake fluid in to the reservoir.
7. Reinstall the filler cap. Visually inspect and confirm no leakage of brake fluid.



Foot Brake Fluid Filling Cap

- ① Turn counterclockwise to open
- ② Minimum brake fluid level



Hand Brake Fluid Filling Cap

- ① Remove 4 screws to open
- ② Minimum brake fluid level

Battery

The battery on this vehicle is maintenance-free dry type. Do not try to remove the block cap of the battery. Use the wire brush to clean the post of the battery. Apply dielectric grease on post to prevent oxidation.

Remove Battery

Battery is under the seat. Always disconnect the BLACK (-) cable first before RED (+) one. Remove the tightening strap then pull the battery out of the chassis.

Warning

Disconnect the battery cables in wrong sequence can cause the short of circuit and spark or damage the vehicle.

Install Battery

Put the battery back. Connect the RED (+) cable before connecting Black (-) cable. Place the trap.

Warning

Connect the battery cables in wrong sequence can cause the short of circuit and spark or damage the vehicle.



Battery Connection

- ① + pole (Red cover)
- ② - pole (no cover)

BREAK-IN

The first 10 hours is the most important period of your vehicle. Proper break-in will help assure the maximum life performance of your vehicle.

CAUTION

Never add oil into fuel. There is 4-stroke engine in this vehicle. Oil only can be filled into the crank case.

Engine

Maximum Throttle Opening

In the first 10 hours break-in period, engine should not be operated at full throttle. We strongly suggest that operating the vehicle below 3/4 throttle, by smooth acceleration with speed variation in the break-in period. During the break-in period, continuous wide open throttle, prolonged cruising speeds, and engine overheat can deteriorate the potential performance of the engine.

Vary The Engine Speed

Varying the engine speed during the break-in period can aid the parts mating (load) and cooling (unload) process. Be careful not to overload the engine.

Avoid Continuously Low Speed

In the throttle opening range, operate the engine to accelerate freely and thoroughly.

Warm Up The Engine Before Driving

After cold or warm starting, allow the engine run in enough idle time for lubrication oil circulating through all parts of engine.

Belt

The new belt require brake-in period. In the first 50km, do not operate the vehicle in strong acceleration/deceleration, high loading, and high speed cruising.

10 HOUR / 30 DAYS INSPECTION

We strongly suggest that after the first 10-Hour break-in period or 30 days after purchase, which ever come first, your vehicle should be inspected by authorized CECTEK dealer.

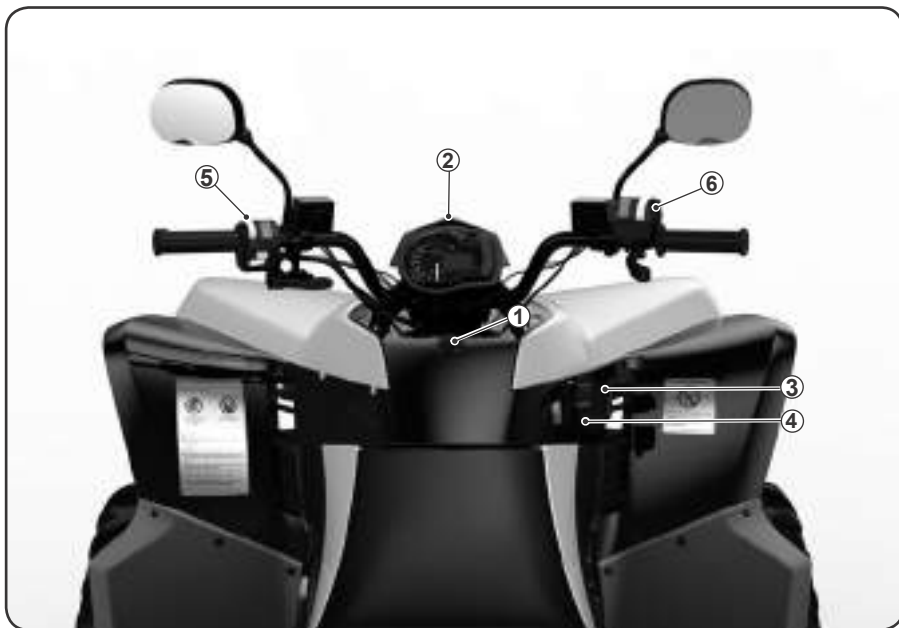
CECTEK dealer will provide you professional suggestion of enjoying the operation of the vehicle and answers for your questions about your vehicle.

The 10-Hour or 30 days inspection is at the expense of the vehicle owner.

CONTROL AND ADJUSTMENT

LOCATION OF EQUIPMENTS AND PARTS

NOTE: Some controls / instruments / equipments could be optional or different in certain countries









① MAIN SWITCH
② INSTRUMENT PANEL
③ TRANSMISSION GEAR SHIFT KNOB
④ 2WD/ 4WD SELECTION KNOB (ONLY FOR GLADIATOR)
⑤ LEFT HANDLEBAR
⑥ RIGHT HANDLEBAR
⑦ 12Volt ACCESSORY SOCKET
⑧ FOOT BRAKE PEDAL
⑨ RECOIL STARTER
⑩ REAR BOX
⑪ FRONT BOX

(1) MAIN SWITCH



The main switch has Five-position.

“OFF” POSITION

All electrical circuits are shut down and the engine can be stopped at this position. The key can be removed in this position.

NOTE: After turn the main switch off, Idle Speed Control (ISC) valve installed on the throttle body will operate for 4 seconds.

“ON” POSITION

The ignition circuits are on and the engine can be started at this position. The key cannot be removed in this position.

NOTE: The headlights cannot be turned on in this position.

”☼” POSITION

The ignition circuits are on. The fog lights and taillights are illuminated. The key cannot be removed in this position.

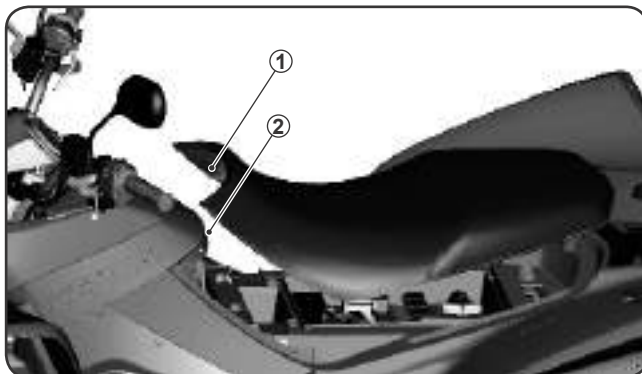
NOTE: The fog lights keep illuminated in this position.

“SEAT OPEN”



① Turn the key clockwise to open the seat. All electrical circuits are shut off.

“Seat Lock”



- ① Seat hook
- ② Seat hook retainer

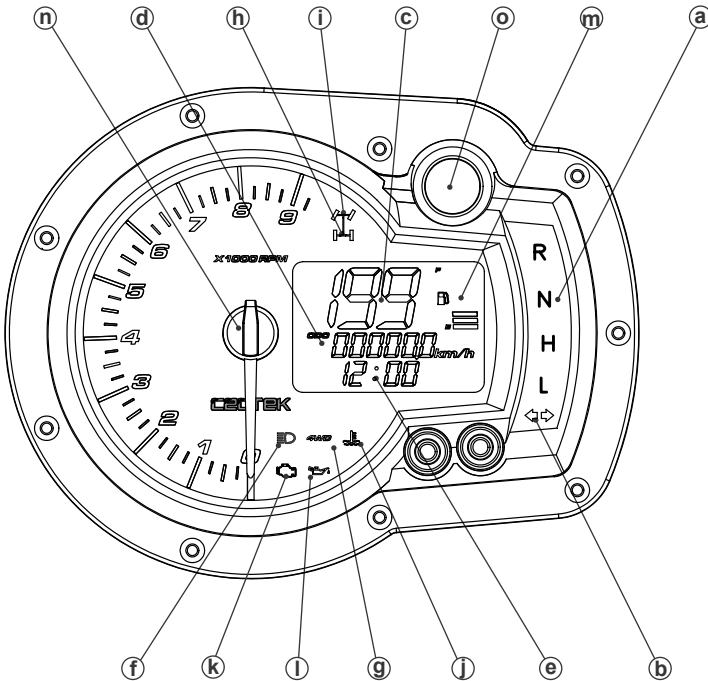
To lock the seat

1. Slide the seat hook (1) into the seat hook retainer (2).
2. Press down the back end of the seat in the seat latch.

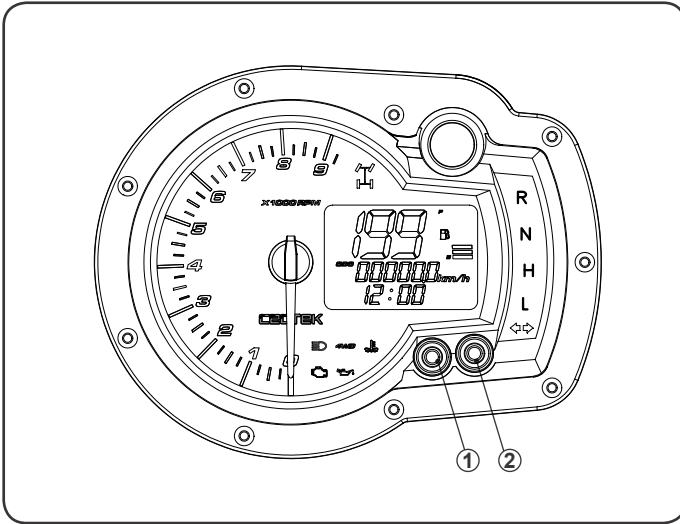
Warning

Improper installation of seat can be hazardous.
Loosen seat can cause lose of rider control.
Make sure the seat is completely fitted securely.

(2) INSTRUMENT PANEL



(a)	Shift Position Indicator
(b)	Direction Light Indicator
(c)	Speedometer
(d)	Odometer (ODO) / Trip Meter
(e)	Clock
(f)	High-beam Headlight Indicator
(g)	4WD Indicator
(h)	Rear Differential Lock Indicator
(i)	Both Differential Lock Indicator
(j)	Coolant Temperature Indicator
(k)	Engine Check Warning
(l)	Oil Pressure Warning Indicator
(m)	Fuel Meter
(n)	Tachometer
(o)	Hazard Warning Indicator / Engine Speed Limit Indicator



- ① Button 1
- ② Button 2

The Engine Check, Oil Pressure Warning, Coolant temperature indicator, Differential gear lock indicator and gear position indicator come on for two seconds, when the ignition switch is turned on. The tachometer indicator will rotate through all range. All LCD segment will display for few seconds. The Engine Check Warning indicator and Oil Pressure Warning indicator will keep on till the engine is started and running without faults.

a. Shift Position Indicators

The shift position indicator will indicate the Transmission Gear position.

L (blue): Indicate the Transmission is in "L" (LOW GEAR) position.

H (blue): Indicate the Transmission is in "H" (HIGH GEAR) position.

N (green): Indicate the Transmission is in "N" (NEUTRAL) position.

R (red): Indicate the Transmission is in "R" (REVERSE gear) position.

b. Direction Light Indicator

When the direction light indicator is blinking, it indicates that the direction light switch is activated and the direction lights are blinking.

c. Speedometer

The speedometer indicates the approximate vehicle speed.

NOTE: Press the button (1) to change between km/h and mph.

d. Odometer (ODO) / Trip meter

The display has the odometer and two trips meters. Press the button (2) to change between ODO, TRIP A, and TRIP B.

Odometer records the total distance that vehicle has been ridden.

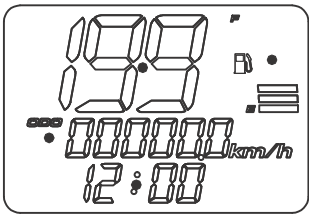
The trip meter records distance since it has been reset. It has two trip meters to record the distance at same time. Press the button (2) for 5 seconds to reset the distance.

e. Clock

The clock display is in 24-hours mode. Follow the procedure below to adjust the clock.

1. Press and hold button (1) and (2) simultaneously till all digits of time are blinking (clock setting mode).

2. Press (1) to select the digit need to be adjusted. The adjustable digit will blink.



3. Press (2) to adjust the hour and minute.

f. High-Beam Headlight Indicator

When the blue Headlight indicator comes on, it indicates the headlight switch is turn to

 "High Beam" position.

g. 4WD Indicator

When this indicator comes on, it indicates the transmission gear is in “4WD” position

h. Rear Differential Lock Indicator

When this indicator comes on, the rear differential is locked. Both left and right rear wheels rotate in same speed and direction.

i. Both Differential Lock Indicator

When these indicators come on, the rear and front differentials are locked. Both left and right wheels rotate in same speed and direction.

j. Coolant Temperature Indicator

When coolant temperature indicator comes on, it indicates the coolant temperature is over the limit. You have to stop the engine as soon as possible.

CAUTION
Running the engine under high coolant temperature can damage the engine. When the coolant temperature indicator comes on, stop the engine as soon as possible. Allow engine to cool down and Do not start the engine till the coolant temperature indicator goes off. If in the coolant temperature indicator comes on again, contact authorized CECTEK dealer for diagnostics.

k. Engine Check Warning / Oil Pressure Warning Indicator

When the engine is not running, Engine Check Warning and Oil Pressure Warning indicators are always on. After starting the engine successfully, both indicators will go off.

Engine Check Warning Indicator

If the Engine Management System (EMS) fails or detects any fault in the engine, the Engine Check Warning Indicator will come on during engine running. If the Engine Check Warning indicator comes on or blinks, stop the engine and contact authorized CECTEK dealer for inspection as soon as possible.

CAUTION
Continuously operating the engine while the Engine Check Warning indicator comes on may cause the engine damage. When the indicator comes on, stop the engine as soon as possible and contact CECTEK authorized dealer for diagnostics.

I. Oil Pressure Warning Indicator

If the Oil Pressure Warning indicator comes on when engine is running, it indicates the pressure of lubrication oil in the engine is below the limit. If the Engine Check Warning indicator comes on or blinks, stop the engine immediately and contact authorized CECTEK dealer for inspection.

CAUTION

Continuously operating the engine while the Oil Pressure Warning indicator comes on may cause the engine damage.

When the indicator comes on, stop the engine immediately and check the engine oil level. If the engine oil level is in the specification, contact CECTEK authorized dealer for diagnostics and do not start the engine any more.

m. Fuel Meter

The fuel meter indicates the fuel level remained in the fuel tank. There are total 10 segments to show the full fuel tanks. The approximate fuel capacity and fuel meter segments chart is as below:

Fuel Meter Indicator	Remained Fuel Capacity (cc)	Symptoms
10 steps	18000	Normal
9 Steps	8000	
8 Steps	6400	
7 Steps	5200	
6 Steps	3200	
5 Steps	1800	
4 Steps	1500	
3 Steps	1200	(Refuel Warning Flashing, Serious inclined fuel level may cause engine cough or even stop)
2 Steps	500	Engine will stop anytime
1 Steps	0	Totally out of Fuel

n. Tachometer

The tachometer indicates the approximate speed of the engine.

o. Hazard Warning Indicator / Engine Speed Limit Indicator

When you turn hazard warning switch on, the hazard warning indicator will blink. When you reach the engine speed limit, the engine speed limit indicator will be illuminated.

(3) TRANSMISSION GEAR SHIFT KNOB

This vehicle is equipped with an automatic transmission. Push and turn the gear shift knob to select the gear which you intend to ride. In certain special conditions, the knob may not be shifted easily, slightly moving the vehicle back or forward can help the knob shifting and gear engagement smoothly.



GEAR SHIFTING KNOB

- ① Reverse
- ② Neutral
- ③ High Forward
- ④ Low Forward

L (Low Gear) Position:

This position provides Lower speed and greater torque to wheel for carrying heavy loads or trailer towing.

H (High) Position:

Normal Driving with light loading.

N (Neutral) Position:

The transmission is in neutral.

R (Reverse) Position:

Drive the vehicle reverse.

Warning

Operating the gear shift knob without applying the brake to stop the vehicle can be hazardous.

Vehicle can move unexpectedly, if you operating the gear shifting knob without applying brake.

Always apply the brake when you operate the gear shift knob for preventing the vehicle move unexpectedly.

Warning

Operating the gear shift knob when the vehicle is moving can be hazardous.

If you suddenly change the gear when the vehicle is moving, the vehicle can suddenly change the moving speed or direction and you could be thrown from the vehicle. Shifting the gear while vehicle is moving can damage the transmission.

Always operate the gear shift knob when vehicle is completely stop and apply the brake before change the gear.

NOTE:

When parking the vehicle on the slope, apply parking brake and then turn the shift button into "N" position before turning off the engine. The weight of the vehicle can make the gear shifting difficult.

(4) 2WD/ 4WD SELECTION KNOB (ONLY FOR 4WD)

Use 2WD/4WD selection knob to change the engine power delivered to rear wheels only or all wheels. Shift the 2WD/4WD position according to the terrain surface conditions.



2/4WD SELECTION KNOB

- ① 2 wheel drive (2WD)
- ② 4 wheel drive (4WD)

Warning

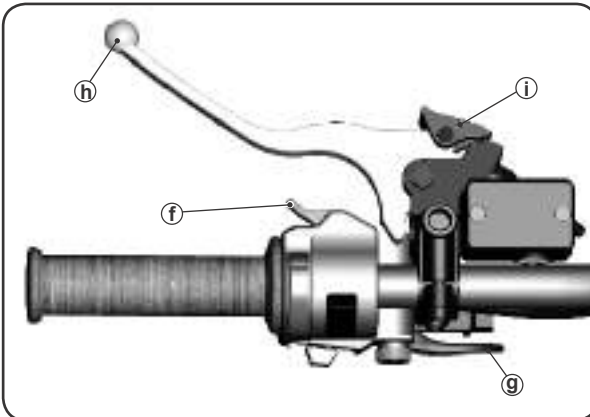
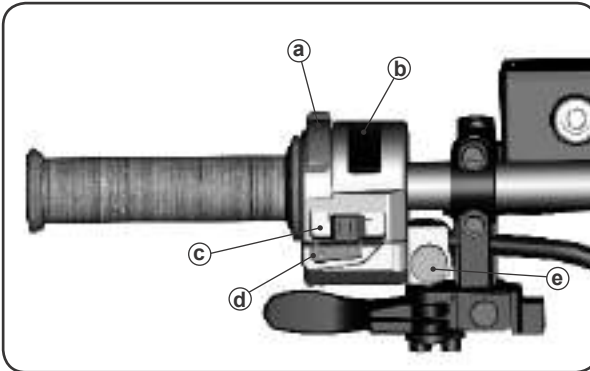
Operating the selection knob during riding the vehicle could be hazardous.

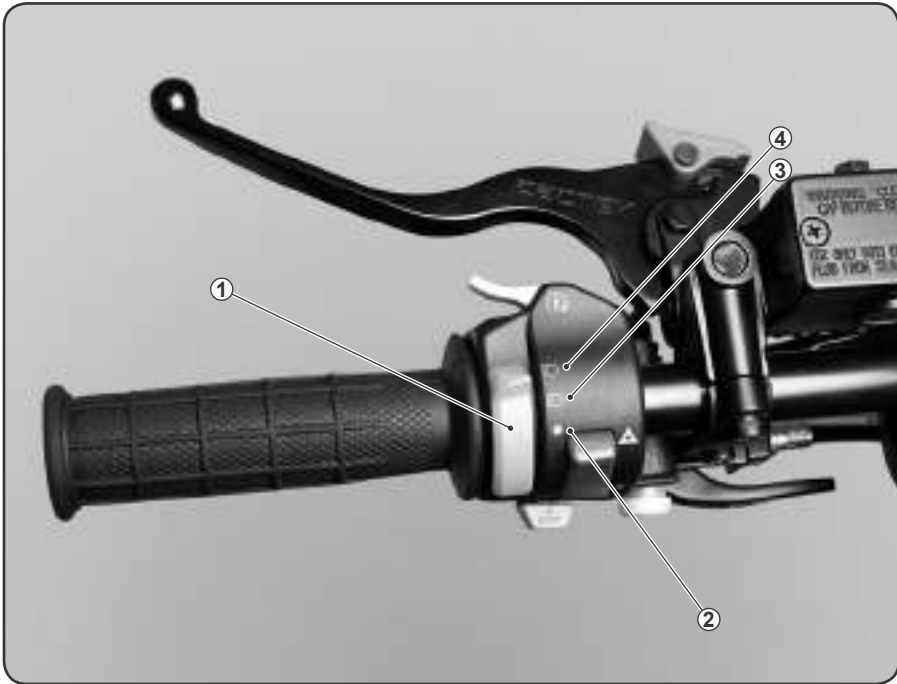
Only one hand on steering handle during DRIVING the vehicle can lose control. Turning the knob while vehicle is moving can damage the transmission.

Always fully stop the vehicle before turning the knob.

(5) LEFT HANDLEBAR CONTROLS


- a** Headlight switch
- b** Hazard warning switch
- c** Direction light switch
- d** Horn button
- e** Override button
- f** Engine start button
- g** Parking brake lever
- h** Brake lever
- i** Parking brake lock





a. Headlight Switch

- ① Selector
- ② Fog light only position
- ③ Low beam headlight position
- ④ High beam headlight position

Use the headlight switch to select the high or low beam headlights. The high or low beam headlight function only can be activated when the main switch is on "  **Fog Light**" position.

☐ Fog Light Position

When switching to this position the fog lights are illuminated.

☐ Low Beam Headlight Position

When switching to this position the high and low beam headlights are illuminated.

☐ High Beam Headlight Position

When switching to this position the high beam headlights are illuminated.

b. Hazard Warning Switch

Use the Hazard Warning Switch to illuminate all direction light for warn other vehicle when the vehicle is stationary or temporarily block traffic.

△ Position

When switch to this position the hazard light is activated to warn other vehicles.

☐ Position

Switch the hazard light off.

c. Direction Light Switch

Switch the button on the right or left side, depending on your turning direction. Press the switch to deactivate the direction lights.

d. Horn Button

Press the horn button to warn other vehicle via sound.

e. Override Button

Pushing and holding the override switch can remove the power limit of engine in front differential lock mode or reverse.

When the front differential lock and 4WD is activated, the power of engine output will be limited by differential control computer for safety. For emergency in tough terrain, pressing the override button and then pushing the throttle lever can remove the engine power limit for temporary emergency use.

NOTE:

For safety, pressing the override button when you are pressing the throttle lever will stop the engine.

 **Warning**

Driving the vehicle fast when the vehicle in reverse or front differential lock modes can be hazardous.

You may lose the control of the vehicle when you drive in reverse or front differential lock modes at high speed.

Always drive the vehicle slowly, even if you press the override button for emergency.

f. Engine Start Button

Use this button to start the engine. Before starting the engine make sure the ignition switch is in "ON" or "⚙️" position and the engine stop switch is on "🛑" position.

NOTE:

The engine can be started when the gear shift knob is in "P" or "N" position. In emergency situation, the engine can be started when gear shift knob is in other positions and brake is fully applied.

 **Warning**

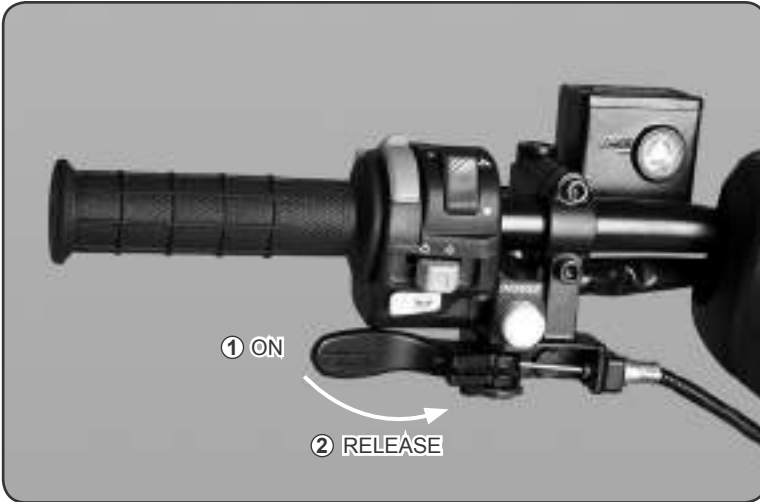
Turn the ignition to "ON" position and waiting more than five second before pushing the engine start button.

If the engine cannot start after several tries, check the fuel supply and ignition system first and refer to the TROBULSHOOT section in this manual.

g. Parking Brake Lever

Applying the parking brake lever can provide more force on rear brake to prevent the moving of the vehicle during parking.

To apply the brake, pull the parking brake lever out to left side of the vehicle. To release the brake, pull the parking brake lever back and spring force will pull the level back to fully release position.



- ① Lock position
- ② Unlock position

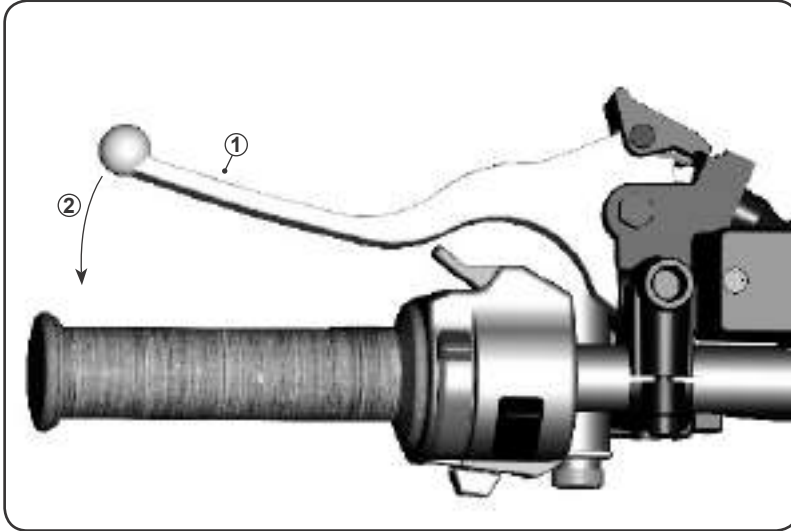
Warning

Improper operation on parking brake lever can hurt the fingers of operator.
Always follow the above steps to operate the parking brake lever.

Warning

Operating the parking brakes during DRIVING can be hazardous.
Applying parking brake during vehicle is moving can suddenly change the maneuver of the vehicle or lose the control.
Always use the parking brake lock and parking brake lever when the vehicle is fully stop and not in operation.

h. Rear Brake Lever



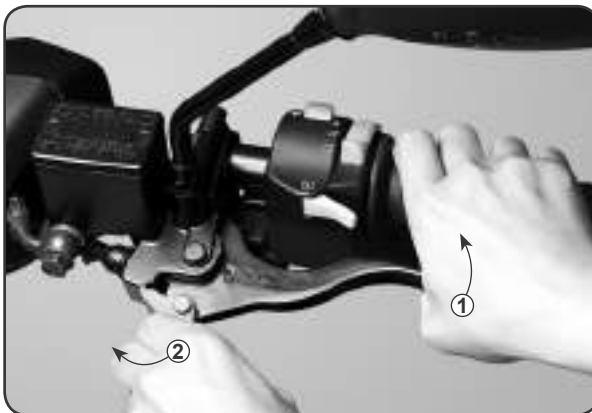
- ① Brake lever
- ② To apply brakes

Pulling the rear brake lever toward the grip will activate the rear brake.

i. Parking Brake Lock

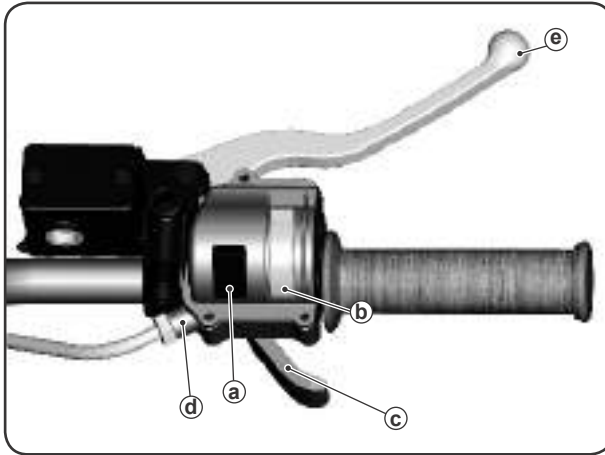
Pulling the rear brake lever and lock it by parking brake lock can prevent the vehicle from moving during parking.

Pulling the rear brake lever again can release the parking brake lock. Be sure to release all parking brake before operating the vehicle.



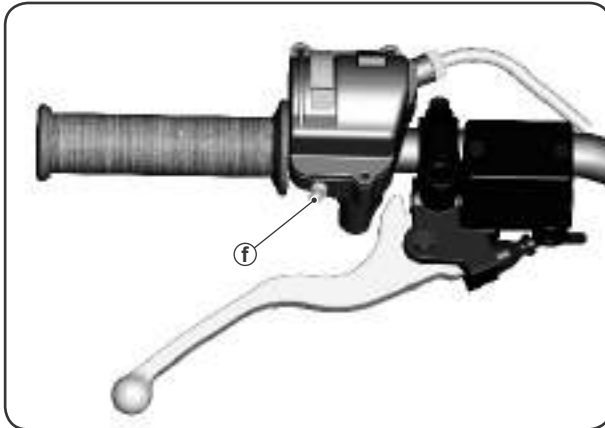
- PARKING BRAKE LOCK**
- ① Press to apply rear brake
 - ② Brake lever lock

(6) RIGHT HANDLEBAR CONTROLS



RIGHT HANDLEBAR CONTROLS

- (a) Engine stop switch
- (b) Differential lock switch
- (c) Throttle lever
- (d) Throttle cable tension adjuster
- (e) Front brake lever
- (f) Throttle limiter



a. Engine Stop Switch

☒ "STOP" POSITION

All ignition circuits are off and the engine cannot be started.

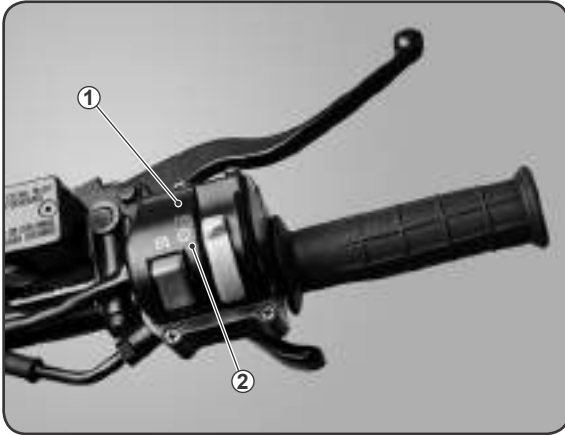
☑ "RUN" POSITION

All ignition circuits are on and the engine can be started.

b. Differential Lock Switch

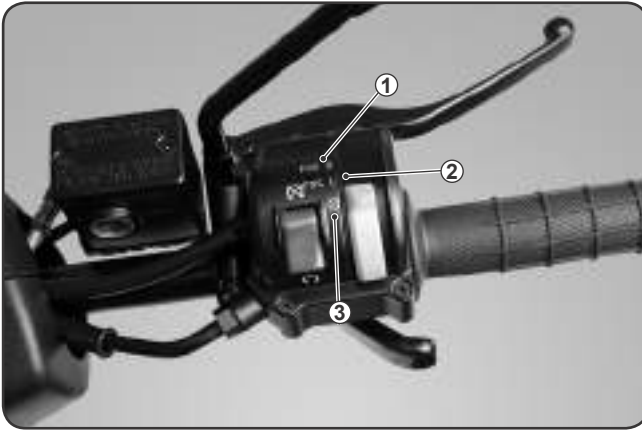
The Differential Lock function only can be activated when the vehicle is fully stopped and the brake is applied. You must follow the below operation process to activate the differential lock function:

1. Always stop the vehicle and apply the brake.
2. Apply the differential lock switch according to the terrain surface condition and your riding behavior.
3. Notice the 'R' indication on the transmission gear position indicator of instrument panel comes on. The engine speed will be limited when the differential lock switch is on but the function is still not yet activated.
4. Turn the vehicle slowly in small radius till the differential lock indicator comes on. The engine speed limit will be released.
5. Ride the vehicle carefully.



DIFFERENTIAL LOCK SWITCH (ESTOC ONLY)

- ① Rear differential lock (FDS)
- ② Normal



DIFFERENTIAL LOCK SWITCH (KINGCOBRA ONLY)

- ① Both differential lock (FDS II)
- ② Rear differential lock (FDS I)
- ③ Normal

Rear Differential Lock (FDS I)

When the engine power is delivered to rear wheels, normally the left and right rear wheels can rotate at different speeds. Select the Rear Differential Lock, the left and right rear wheels will always rotate in the same direction and speed. Use the rear differential lock function to increase the traction of rear wheels for getting out from stuck.

Both Differential Lock (FDS II) (Only Applicable to 4WD)

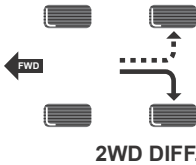
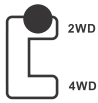
When the 4WD function is selected and engine power is delivered to all wheels, select the Both Differential Lock, the left and right wheels will always rotate in the same direction and speed. Use the Both Differential Lock function to increase the traction of all wheels for getting out from stuck.

NOTE:

Both Differential Lock function could only be activated by switch when the 4WD function is selected.

Power Delivery Options KINGCOBRA ixd type

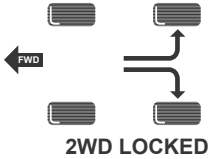
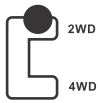
UNLOCK



2WD

Only deliver the engine power to rear wheels. This position is used for normal DRIVING on dry or hard land.

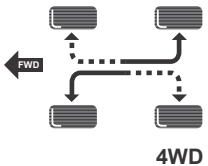
R.LOCK



2WD and Rear Differential Lock

2WD and Rear Differential Lock functions are activated. The engine power is delivered to rear wheels. Left and right rear wheels rotate at same direction and same speeds.

UNLOCK

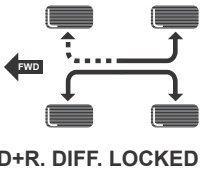


4WD

(Only Applicable on 4WD)

Deliver the engine power to both front and rear wheels. Left and right wheels can rotate at different speeds. This function provides more tractions than 2WD function and should be used for DRIVING on slippery surface.

R.LOCK

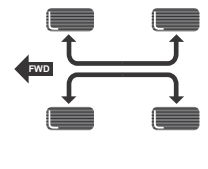


4WD and Rear Differential Lock

(Only Applicable on 4WD)

Deliver the engine power to both front and rear wheels. The front left and right wheels can rotate at different speeds. The rear left and right wheels rotate at same direction and speed. This function provides more tractions than 4WD mode and should be used for DRIVING on tough terrain.

R.LOCK+
F.LOCK



4WD, Both Front and Rear Differentials Lock

(Only Applicable on 4WD)

Deliver the engine power to both front and rear wheels. Left and right wheels rotate at same direction and speed. This function provides most tractions among all modes and should be used for DRIVING on extremely tough terrain only.

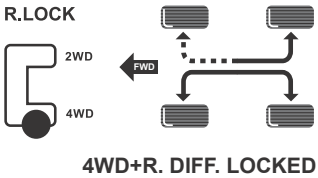
4WD+F. & R. DIFF. LOCKED

Power Delivery Options KINGCOBRA ix type



2WD and Rear Gear Box

2WD and Rear Differential Lock functions are activated. The engine power is delivered to rear wheels. Left and right rear wheels rotate at same direction and same speeds.



4WD and Rear Gear Box (Only Applicable on 4WD)

Deliver the engine power to both front and rear wheels. The front left and right wheels can rotate at different speeds. The rear left and right wheels rotate at same direction and speed. This function provides more tractions than 4WD mode and should be used for DRIVING on tough terrain.



4WD, Front Differentials Lock and Rear Gear Box (Only Applicable on 4WD)

Deliver the engine power to both front and rear wheels. Left and right wheels rotate at same direction and speed. This function provides most tractions among all modes and should be used for DRIVING on extremely tough terrain only.

Power Delivery Options ESTOC



2WD

Only deliver the engine power to rear wheels. This position is used for normal DRIVING on dry or hard land.



2WD and Rear Differential Lock

2WD and Rear Differential Lock functions are activated. The engine power is delivered to rear wheels. Left and right rear wheels rotate at same direction and same speeds.

Warning

Always completely stop before shifting.

Shifting the button when the vehicle is moving that can be hazardous.

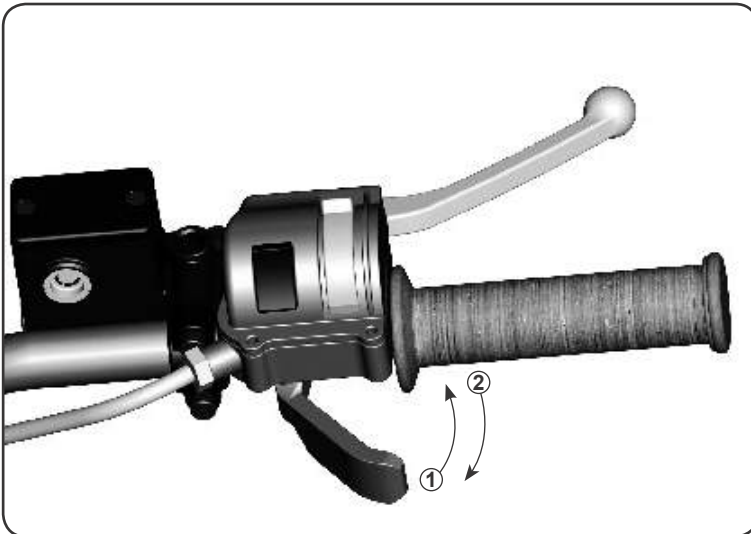
Warning

Operating the vehicle at high speed in differential lock mode can be hazardous.

When Both Different lock mode is activated, the vehicle could be harder to steer. Accident could be caused by such lower maneuverability.

Always ride slowly and steady, when differential locks are activated,

c. Throttle Lever



① Increase the engine speed.

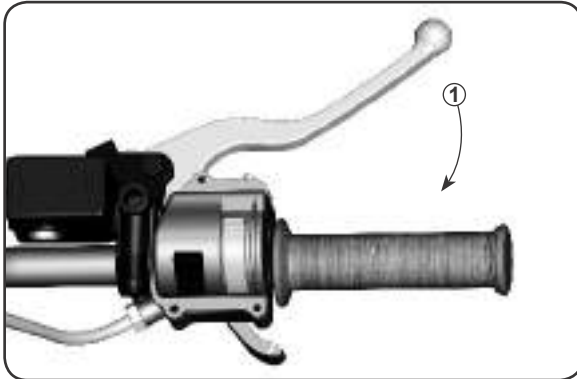
② Release to decrease the engine speed.

To control the engine speed. Operate this lever with your thumb. Pushing the lever forward to increase engine speed. Release the lever to decrease the engine speed.

d. Throttle Cable Tension Adjuster

Turn the nut to adjust the tension of throttle cable. The detail of adjustment is stated in the Chapter: Maintenance Information.

e. Front Brake Lever



① Apply the front brake

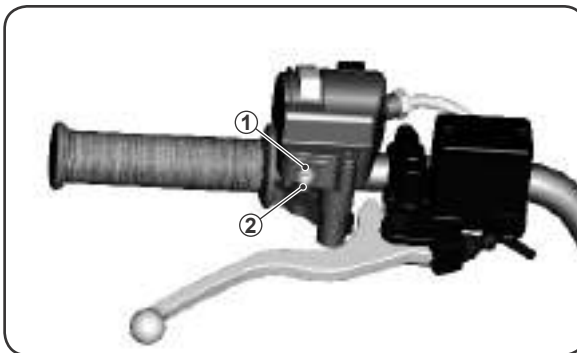
Pull the brake lever backward to apply the front brake.

f. Throttle Limiter

Release the lock nut and turn the throttle limiter screw to restrict the engine maximum power by limiting the max throttle lever travel. Adjust the throttle limiter according to the rider's skill and experience adjust the throttle limiter.

To adjust the throttle limiter

1. Loose the locknut (1).
2. Turn the throttle limiter screw (2) clockwise to restrict maximum engine power or counter-clockwise to increase the maximum engine power.
3. Tighten the lock nut (1).



THROTTLE LIMITER

- ① Lock nut
- ② Throttle limiter screw

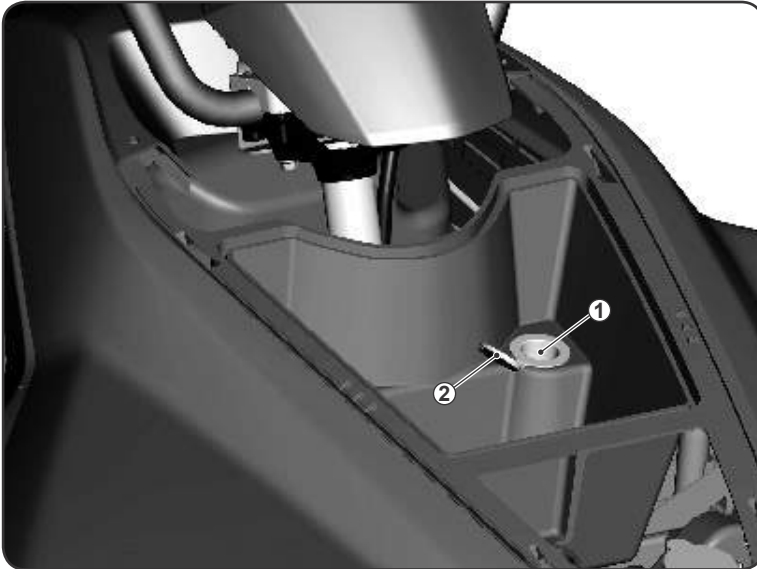
Warning

Do not adjust the screw out more than 12 mm (0.47 in).

Improper adjustment of the speed limiter and throttle can be hazardous.

(7) 12Volt ACCESSORY SOCKET

This accessory socket is 12 Volt power outlet for portable equipment. Open the socket cap and then insert the accessory power plug. Always reinstall the socket cap after remove the accessory power plug.



12 Volt ACCESSORY SOCKET

- ① Socket
- ② Socket cap

Do not exceed the total capacity of vehicle alternator. Refer to SPECIFICATIONS.

Warning

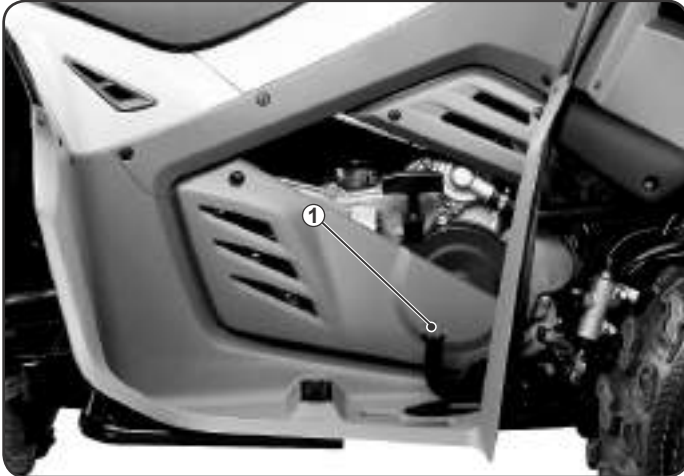
The accessory shock's rated capacity is DC 12V, 120W (10A) or less. If exceed the limit, it may blow the fuse. Using the accessory over the total capacity of vehicle alternator may damage the vehicle and battery.

Turn off the headlights when using the accessory shock.

Not to flood the accessory socket when you wash the vehicle. When done use the accessory, completely cover the socket cap.

Consult with authorized CECTEK dealer before using the accessory.

(8) FOOT BRAKE PEDAL

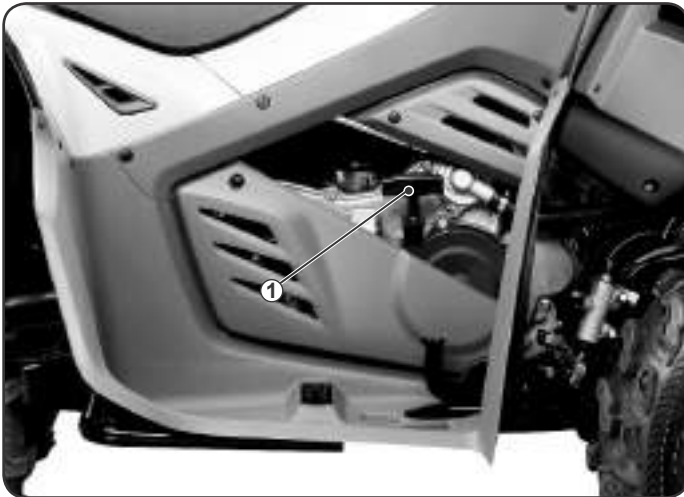


① Foot brake pedal

Press down the foot brake pedal will apply the both front and rear brakes. Braking effect is proportional to the force applied on the pedal and the status of terrain surface.

NOTE: Applying the brake will have effects on the wheels through drive train. If the main brake system fail, the rear brake can be activated by the Parking Brake Lever.

(9) REWIND STARTER



① Rewind Starter

The recoil starter is used to start the engine when the battery is weak.

To operate the recoil starter:

1. Turn the transmission gear shifting knob to "N" position.
2. Select the engine stop switch to "Engine Stop" position.
3. Grip the starter rope handle.
4. Slowly pull the rope until feeling the starter engage.
5. Pull the rope slowly to dry crank the engine.
6. Select the engine stop switch to "Engine Run" position.
7. Grip the starter rope handle.
8. Forcefully pull the rope to start engine.
9. After the engine starts, be sure to return the starter rope back to original position and seal the hole.

NOTE:

- The engine also can be started in other transmission gear position when you fully pull the brake lever or press down the foot brake pedal.
- When operating the recoil starter, please turn off all lights.

Warning

When you start the engine not in idle throttle lever position by recoil starter, the recoil starter handle may reverse to damage the ATV and hurt the people.

Always follow the procedure of operating recoil starter. If you feel hard to dry crank the engine, stop operating the recoil starter and contact authorized CECTEK dealers.

Never press the throttle lever when you operate the recoil starter.

(10) REAR BOX



①Rear box rubber strip

Storage for the small or light articles such as gloves, map or small packages.

Pull the rubber strip out and open the door of box. The maximum total weight of goods should not be over 1 kg.

(11) FRONT BOX



- ① Front storage chamber
- ② Latches

Storage for the small or light articles such as owner's manual, rain gear

Press down the latches under the front box panel and lift it. The maximum total weight of goods should not be over 2 kg.

Warning

Carrying fuel in the box can be hazardous.

The boxes are designed to store dry and light articles. Carrying heavy goods could damage the vehicle.

Never carry the goods over the weight limit.

PRE-OPERATING CHECK

Warning

If pre-operating check is not done properly, severe injury and death can be occurred.

Pre-operation check is compulsory before operating the vehicle. All safety features, mechanical components, and critical control functions must be checked before operating.

Always follow the pre-operation check procedure to check the vehicle before operation. If you find any inconsistency of the vehicle function, specifications, parts and component, contact CECTEK authorized dealer immediately.

- Apply parking brake and check if brake effect is enough to stop the vehicle.
- Check tire pressure, air leakage, crack, worn-out or damage.
- Check wheels and bearing for wear or damage.
- Check all control functions.
- Check if the steering works well.
- Check if the throttle lever can move freely in full travel and back to idle position when released.
- Apply hand and foot brake, check the brake efficiency, confirm lever and pedal fully return when released.
- Confirm the transmission gear can be selected in all positions.
- Check all liquids levels.
- Confirm no any liquid leakage on the vehicle.
- Clean headlights and taillights.
- Ensure front and rear box covers are properly latched.
- Ensure seat is properly latched.
- Ensure the total vehicle weight with payload is not over the specifications.
- If you are towing a trailer or other equipment, ensure the trailer and equipment is not over the specification.
- Confirm no loose parts on the vehicle when the engine is off.
- Ensure the path of travel is free of person or obstacles.
- Check all lights.
- Start the engine and drive forward slowly and apply the brakes individually to test the efficiency of brake.
- Check 2WD/4WD (only applicable to Gladiator) selection function.
- Check differential lock function.

Correct any problem during the pre-operation check. If you find any problem, stop the operation and contact CECTEK authorized dealer immediately.

OPERATING YOUR ATV

Warning

Indicates a potentially hazardous situation that could result in serious injury or death.

YOU HAVE TO REMEMBER BEFORE OPERATION

Always keep your feet firmly on the footrest. Putting your feet on the footrest board areas can help you to apply the rear brake operation and weight shifting properly.

Apply the rear brake and shift the shift lever to "N" (neutral) position after making sure the engine is warm.

Stop the vehicle completely and release the throttle to bring the engine to idle before turning the gear selection knob.

Refer to the "CONTROLS" section in this owner's manual.

Warning

Pressing the throttle lever suddenly can be hazardous.

Pressing the throttle lever suddenly could cause the front wheels lift off the ground and loss of the control of this vehicle.

Always push the throttle gradually when you speed up.



Find one of the good places to practice the skills you need to ride safely. Make sure that the space is legal to operate your vehicle.

Always keep safe distance to other vehicle, people, obstacles when you ride. Make sure that the path is free of obstacles and other riders.

The tires of "KINGCOBRA" is designed for off-road use only, and handling maneuvers of CECTEK setting may be different when you are operating "KINGCOBRA" on the pavement. You have to confirm and practice your skill to operate this vehicle before you enter the pavement.

The tires of "ESTOC" is designed for on-road use only, and handling maneuvers of CECTEK setting may be different when you are operating "ESTOC" on the difficult terrain or rough surface. Never try to operate "ESTOC" on the rough surface or difficult terrain.

Depending on the distance of your rid, carry additional tools or emergency equipment. Be prepared for the possible conditions you may encounter.

After you have found a good place to practice, review all of the control on this vehicle before driving.

INSPECTION BEFORE DRIVING

Warning

Failure to inspect this vehicle before operating it can be hazardous.

Failure to properly maintain this vehicle can also be hazardous.

Failure to inspect and maintain this vehicle could increase the risk of an accident or an equipment damage.

Always inspect and maintain this vehicle, confirm the vehicle in safe condition before operating. Always follow this manuals to perform Periodic inspection, and maintenance.

Refer to the PRE-OPERATING CHECK and MAINTENANCE sections in this owner's manual.

Warning

Operating this vehicle with improper tire or uneven tire pressure can be hazardous.

Use by improper tire or improper or uneven tire pressure, you may lose control of this vehicle or increase your risk of an accident.

Always use the size and type tires specified in this owner's manual. Always maintain proper tire pressure as described further in INSPECTION AND MAINTENANCE section.



Warning

Operating this vehicle with improper modifications can be hazardous.

Improper installation of accessories or modification of this vehicle may cause changes in handling which in some situation could lead to an accident.

Never modify this vehicle through improper installation or use of accessories. All parts and accessories installed on this vehicle should be genuine CECTEK or equivalent components designed for use on this vehicle and should be installed according to instructions. If you have questions, consult an authorized CECTEK dealer.



⚠ Warning

Checking maintenance items when the engine is running can be hazardous.
Moving parts can catch clothing or parts of the body, and cause an injury
Turn off the engine when performing maintenance checks.

WHAT TO WEAR

⚠ Warning



Operating this ATV without wearing complete protection can be hazardous.

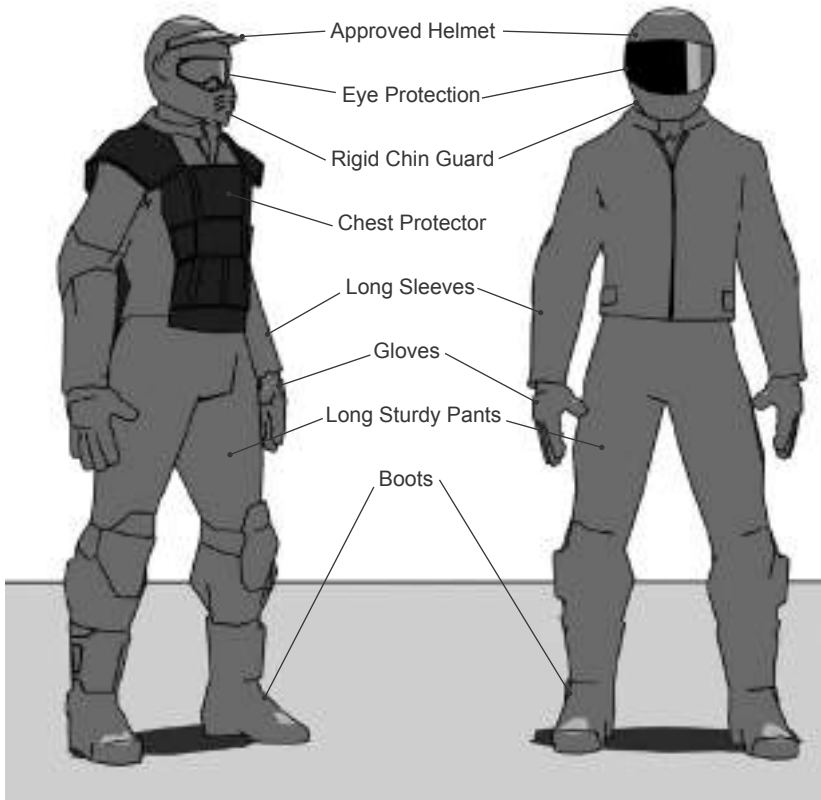
Always wear the appropriate protective clothing and gears, including an approved helmet, eye protection, boots, gloves, long sleeved shirt and pants.

Never operating this vehicle without complete protective clothing and gears.

A helmet is the most important piece of gear you should wear. A helmet can help prevent a serious head injury or death in an accident. Your helmet should fit properly. Full-face helmets help protect your face as well as your head.

You should wear eye protection when you ride. If the rock, branch, or even a bug that hits you in the eyes, you could be severely injured. Different colored lenses available for goggles or glasses help you distinguish terrain variations. The sunglasses be worn during the daytime.

Wear proper clothing when you ride. The complete clothing can help protect you from any injury. Wear a good pair of gloves, strong boots that fit over the ankle, long pant, and long sleeve shirt.



STARTING THE ENGINE

Follow below steps to start the engine:

1. Set the parking brake lock
2. Shift the transmission gear knob to "N" (neutral) position.
3. Turn the main switch to "ON" position.
Turn the engine stop switch to "I" position.
4. Check the instrument: only "Engine Check Warning" and "Oil Pressure Warning" are illuminated.
5. Press the start button to start the engine.
6. Check the instrument: "Engine Check Warning" and "Oil Pressure Warning" should be off.

This vehicle has two systems for engine starting. You can use the electric starter or the recoil starter. The recoil starter is used to start the engine if the vehicle's battery is weak. When you use the recoil starter, refer to the "CONTROLS" section in this owner's manual.

NOTE:

1. Open the throttle briefly to raise the idle speed if the idle speed is low after starting the engine.

Warning

Engaging the starter motor more than five seconds at a time can damage this vehicle.

That could cause the start motor and wiring harness overheat.

If the engine can not start after several tries, check the fuel supply and ignition system first. If you still can not start the engine successfully, contact CECTEK authorized dealers.

Warning

Running the engine in closed space without proper ventilation can be hazardous.

Breathing in exhaust gases from this vehicle can cause death or severe injury.

Always ride your vehicle outdoors.

BRAKING

To stop the vehicle, follow steps below.

1. Release the throttle first.
2. Apply the front and rear brakes evenly at the same time

Warning

Applying brake while turning the vehicle can be hazardous.
Applying brake when turning could cause the vehicle to slide or roll over.
Before you begin to turn, apply the brake to slow down.
Never turn at excessive speed.

Warning

Applying brake hard on slippery surfaces can be hazardous.
Applying brake hard on slippery surface could cause the vehicle skid and go out of control.
Apply the brakes lightly and extremely carefully on slippery surfaces.

Warning (ONLY FOR OFF ROAD)

Braking on a hill when the vehicle in 4WD mode can be hazardous.
When the vehicle in 4WD, applying either the front or the rear brake alone will actually brake all four wheels. Therefore, applying any brakes will result in braking force being applied to downhill wheels. This could cause the vehicle to overturn.
Brake on a hill extremely carefully when the vehicle in 4WD.

TURNING

Warning



Turning the vehicle improperly can be hazardous.

Turning the vehicle improperly could cause a collision or overturn.

Always follow proper procedures for turning as described below.

Practice turning at low speed before attempting to turn at higher speed. Do not turn at speed too high for your skills or experience. Never turn at excessive speed.

When the differential lock function is activated, this vehicle has a solid rear axle. Both rear wheels always turn at the same speed. For turning of the vehicle, the outside rear wheel must travel a greater distance than the inside rear wheel. Therefore, unless the inside rear wheel of the turn is allowed to slip or lose some traction, the vehicle will resist turning.

Turning skill must be learned first at low speed.

To turn the vehicle, you must follow the proper procedures below. This will let the inside wheel of the turn slip slightly when in differential lock mode, allowing the vehicle to make the turn properly.

1. Slow down and begin to turn the handlebars in the desired direction.
2. Move your body weight forward and to the inside of the turn.

FOR HIGHER SPEEDS OR SHARPER TURNS:

Use the same technique as turn at low speed, but move your body weight farther toward the inside of the turn to balance the vehicle. If your vehicle starts to tip while turning, lean your body farther into the turn while gradually reducing the throttle and making the turn wider.

SKIDDING OR SLIDING

Warning

Overcoming skidding or sliding improperly can be hazardous.

Overcoming skidding or sliding improperly can cause to lose your control of the vehicle or regain traction unexpectedly and overturn.

Learn to safely deal skidding or sliding by practicing at low speeds and on level smooth terrain.

On extremely slippery surfaces, such as ice, go slowly and be very cautious in order to reduce the chance of skidding or sliding out of control.





With practice you may be able to overcome skidding or sliding by using the techniques.

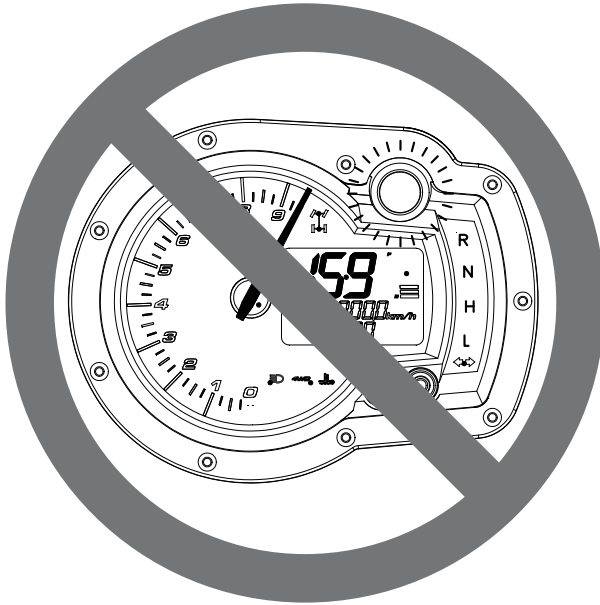
If the front wheels skids.

Reducing the throttle opening and leaning your body weight over the front wheels will do some help.

If the rear wheels skids.

Moving your body weight to away from the skid slightly. Applying the brakes or accelerating is not recommended until you have corrected the slide.

Warning



Operating this vehicle at excessive speeds can be hazardous.

DRIVING at excessive speeds increases your chances of losing control of the vehicle, which can result in an accident.

Always go at a speed that is proper for the terrain, visibility and operating conditions, your skills and experience. Always reduce speed before making a turn.

OPERATION ON HILLS

Warning

Operating this vehicle on excessively steep hills can be hazardous.

Operating this vehicle on excessively steep hill could cause the vehicle to overturn.

Never operate this vehicle on hill too steep for the vehicle or for your abilities. Practice on flat hills before attempting steep hills.

Climbing the Hill

 Warning



Climbing hills improperly can be hazardous.

Climbing hills improperly could cause loss of control or overturn.

Always follow proper procedures for climbing hills as described below.

- Always check the terrain carefully before driving on any hill.
- Never climb hills with slippery or loose surfaces.
- Always Shifting your weight forward.
- Never open the throttle suddenly or change the transmission gear when climbing the hill. The vehicle could flip over backwards.
- Never climbing any hill at high speed.

WARNING (ONLY FOR KINGCOBRA)

Braking on hill when the vehicle in 4WD mode can be hazardous.

When the vehicle in 4WD, applying either the front or the rear brake alone will actually brake all four wheels. Therefore, applying any brakes will result in braking force being applied to downhill wheels. This could cause the vehicle to overturn.

Brake on a hill extremely carefully when the vehicle in 4WD.

To climb a hill with the vehicle, follow the direction below.

1. Turn the gear selection knob to L (Low) position.
2. Lean slightly your body weight forward and keep your feet on the footrest when towardng the top of the hill.
3. Maintain a steady speed before reaching the crest of the hill.
4. When you ride over the crest of the hill, slow down.
5. Do try to hold on the vehicle if it begins to topple.

Warning



Stalling, rolling backing or improperly dismounting the vehicle while climbing a hill can be hazardous.

This vehicle may overturn, if you do not climb the hill properly.

Keep steady speed when climbing a hill.

Always follow the proper procedure for climbing hill as described below.

If you are unable to continue climbing up the hill, find enough space to turn around safely, follow the steps below.

1. Turn around on the hill before you lose forward speed. Lean your body weight uphill while turn on the side of the hill.
2. Once you have turned around, go down the hill as described in the "DESCENDING A HILL" section.

If you lose all forward speed.

1. Keep your body weight forward, and uphill.
2. Apply the front brake to stop this vehicle.
3. Lock the parking brake, after the vehicle stopped.

If you begin rolling backwards.

1. Keep your weight uphill.
2. Never apply the rear brake while rolling backward.
3. Apply the front brake.



When fully stopped, apply the rear brake as well and then lock the parking brake.

After you confirm that the vehicle is securely stopped on the hill, find a space where you can stand on the upper hill side securely and drag the rear end of the vehicle with other people's help or equipments until the vehicle point downhill. Then, drive the vehicle down the hill following the instruction of "DESCENDING A HILL".

If the brakes can not slow the vehicle, dismount to the side immediately.

Descending a Hill

Warning

Driving the vehicle down a hill improperly can be hazardous.

Driving the vehicle down a hill improperly could cause the vehicle overturn or loss the control.

Always follow the proper procedures for going down hills as described below.



WARNING (ONLY FOR KINGCOBRA)

Braking on hill when the vehicle in 4WD mode can be hazardous.

When the vehicle in 4WD, applying either the front or the rear brake alone will actually brake all four wheels. Therefore, applying any brakes will result in braking force being applied to downhill wheels. This could cause the vehicle to overturn.

Brake on a hill extremely carefully when the vehicle in 4WD.



To drive the vehicle down a hill, must follow the instructions below.

1. Check the terrain carefully before starting down any hill.
2. Maintain a straight course of the downhill.
3. Shift the shift lever in to L (Low) position.
4. Lean slightly your body weight rearward.
5. At slow speed when ride down the hill.
6. Apply the rear brake to control the speed.

Avoid going down a hill at an angle that would cause the vehicle to lean sharply to one side. Go straight down the hill where possible.

TRAVERSING A SLOPE

Warning

Crossing hills or turning on hills improperly can be hazardous.

Crossing hills or turning on hills improperly can cause drastically change the balance of the vehicle, loss of control or cause the vehicle to overturn.

Never attempt to ride this vehicle crossing the side of the steep hill. If it is necessary to do that always keep your body weight on the upside of the slope and maintain a straight course. Do not attempt to stop or save the vehicle from damage.





To traverse a slope, you must follow below steps:

1. Always Lean your body uphill.
2. Balance the vehicle uphill by adjusting your steering bar slightly uphill.

DRIVING OVER OBSTACLES

Warning

Improperly operating this vehicle over obstacles can be hazardous.

Improperly operating the vehicle over obstacles could cause loss of control or collision. It can also cause this vehicle to overturn.

Before operating in a new area, check for obstacles.

Never attempt to drive over large obstacles too high for this vehicle or your abilities. If you are not sure that you can safely cross over an obstacle, back up and ride around the obstacle.

Follow proper procedures in this section when you crossing over obstacles.





If you must to cross an obstacle, follow the below procedure.

1. When the obstacle in front of you, approach at walking speed.
2. Rise up slightly on the footrest.
3. Pull up the handlebars and apply a little throttle.
4. Lean your body weight forward and release the throttle after the front wheels have cleared the obstacle.

Return to your normal driving position after the rear wheels clears the obstacle.

DRIVING THROUGH WATER

Warning

Driving this vehicle through deep or fast flowing water can be hazardous.

This vehicle tires may float, causing loss of traction and loss of the control, which could lead to an accident.

Never operate this vehicle in fast flowing water or in water deeper than 30cm (11.8in).

Check water depth before attempting to cross any water.

Remember that wet brakes have reduced stopping ability. Test your brakes after leaving the water. Apply the brakes several times to let friction dry out the linings. Do not continue to ride this vehicle before you verifying the brakes have regained.



Warning

Operating this vehicle in water, sand or mud may causes rapid brake wear.

Excessive brake wear can cause the brakes to be less effective.

After driving this vehicle in these conditions, bring it to your dealer to have the brakes inspected and cleaned.



Before enter the water, investigation the path of your selection. Look around the environment and flow condition.

When crossing deep or fast flowing water, operate this vehicle at a slow, steady speed. If you are unfamiliar with the area, park the vehicle and inspect the stream first to look for a suitable spot for crossing.

DRIVING IN COLD WEATHER

Pre-ride Inspection

Confirm the throttle and all control levers moving freely. Make sure that all brake levers, switch, seats, footrest, and gear selection knob are free of ice or snow.

Before driving, shift the gear selection knob to N (Neutral) position, move the vehicle forward and backward to confirm that all parts move freely.

If the tires are frozen to the ground, pour warm water around the tires to melt the ice. If the brakes are frozen, bring the vehicle to the warmer area to thaw out the brakes.

After warm up the engine, inspect the ATV, drive the ATV slowly not over the walking speed for certain distance, and confirm the brake efficiency.

If you found any problem during above inspection, do not drive this vehicle and contact CECTEK authorized dealer.

CAUTION

Using engine power to free up frozen parts can damage the vehicle.

Before driving , shift the gear selection knob to N (Neutral) position, move the vehicle forward and backward to confirm that all parts move freely.

Warning

Operating the vehicle with mal function brake system can be hazardous.

Wet or frozen brakes will reduce the stopping ability. That will increase the chance of having an accident.

Any water that enters the brakes while ride the vehicle. The water may freeze after parking the vehicle. That can prevent the wheels from turning or brakes from working.

After driving through water, mud, snow, or slush, it is important to dry the brake before parking the vehicle, To dry the brakes, apply the brakes several times with slowly speed.

Always check the brake system before driving.

CAUTION

Install this vehicle with automotive-size battery can damage this vehicle.

The high-amperage battery can damage the electric system.

Use the battery same as the specification to start the engine. Refer to "Maintenance" section for the proper battery charging procedure.

NOTE:

If the temperature is below the -10°C (14°F), must change the oil for suitable temperature and install the engine block heater.

Dressing for Cold Weather Driving

Warning

Operating the vehicle in cold weather without proper dressing can be hazardous.

Continued exposure to cold temperatures can cause the hypothermia. Hypothermia is a condition when your body inner temperature drops low enough. That condition could result in serious injury or death.

Always dress for the worst weather conditions you might encounter.

The wind chill created by vehicle running can reduce the temperature of air surrounding you.

Continued exposure to cold temperatures can cause the hypothermia. Hypothermia is a condition when your body inner temperature drops low enough. That condition could result in serious injury or death.

You must wear all of the protective clothes and gears. Be prepared for worst weather, vehicle breakdown, raining and any possibility for exposing in cold weather.

Warning

Wearing loose clothes or gears when you are driving the vehicle can be hazardous.

Loose clothes or gears can get caught by moving parts in the vehicle.

Always check your clothes and confirm no loose parts before riding.

Driving on Snow, Ice, or Any Slippery Surface

Warning

Driving on snow, ice or any slippery surface without care or special equipment can be hazardous.

You may not know the obstacle under the snow or ice that can cause a loss of control. You can totally lose the control on the vehicle. That can result in an accident or overturn.

Always drive slowly with extreme care when driving on snow or ice. Always be alert of terrain change. Avoid driving this vehicle on snow, ice, or any slippery surface whenever possible.

Warning

Riding on a frozen lake or river can be hazardous.

The ice on the lake or river could break and you could fall down.

Never drive the vehicle on the frozen lake or river.

Practice your driving skills for incidentally driving on snow, ice, or slippery surface under the training of proper driving skill training course. You could find the training school information through your local transport authorities or contacting CECTEK authorized dealer.

Always wear protection and gears when driving this vehicle. Always be prepared for encountering the snow, ice or any slippery surface when driving this vehicle.

DRIVING IN REVERSE

Warning

Improperly driving this vehicle in reverse can be hazardous.

Improperly driving this vehicle in reverse could cause you to hit an obstacle or person behind you, resulting in serious injury.

When select R (Reverse) position, make sure there are no obstacles or people behind the vehicle. When it is safe, back up slowly.



To turn the vehicle transmission into R (Reverse) position, follow these directions.

1. Stop the vehicle, and turn the gear selection knob to N (Neutral) position.
2. Apply the front and rear brakes and turn the gear selection knob to R (Reverse) position.
3. Make sure there is nothing in your way behind you.
4. Release the brakes with and apply the throttle.

Warning

Suddenly pressing the throttle levers or make a abrupt turn when in reverse can be hazardous.

Throttle surge or abrupt turns can cause the loss of control.

Always ride slowly when in reverse.

MAINTENANCE

INSPECTION AND MAINTENANCE

The maintenance is very important to your vehicle. Follow the guidelines in this section. Periodic inspection, adjustment and lubrication will keep this vehicle in safety and most efficient condition possible. The interval between periodic service in miles (kilometers) and months are show.

MAINTENANCE CHART	FIRST INSPECTION 10 hrs or 30days or 300km (185 m.)	EVERY				SHOULD BE DONE BY
		25 hrs or 750 km (470m.)	50 hrs or 1500 km (930m.)	100 hrs or 1 year 3000 km (470m.)	200 hrs or 2 year 6000 km (3730m.)	
I: Clean, Inspect, Verify, Adjust, Lubricate, Replace if necessary						
C: Clean						
L: Lubricate						
R: Replace						
ENGINE / TRANSMISSION						
Engine oil and filter (pre-operatoin inspection item)	R		R			USER
Engine oil pick up strainer cleaning				C		DEALER
Valve adjustmernt	I			I		DEALER
Engine mount fasteners	I			I		DEALER
Exhaust sytem	I			I		DEALER
Spark Arrester				C		USER
Seales	I			I		DEALER
Coolant (pre-operatoin inspection item)	I			Check strength	R	USER
Radiator cap / cooling system pressure test	I				I	DEALER
Radiator condition /cleanliness (more often under severe use)	I		I			USER
Drive belt			I			USER
Cleanig / condition of driving and driven pulleys				C		DEALER
CVT air inlet / outlet duct condition / cleanliness and sealing	I		I			DEALER
Recoil starter rope condition				I		DEALER
FUEL SYSTEM						
Air Filter (more often under severe use)		C		R		USER
Fuel lines and connctors	I			I		DEALER
Fuel tank strainer					R	DEALER
Throttle body	I			I		DEALER
ELECTRICAL SYSTEM						
Spark plug	I			R		DEALER
Battery connection	I			I		USER
Wiring harnesses, cables and lins	I			I		DEALER
Condition of control switches and buttons (pre-operatoin inspection item)	I			I		USER
Lights (pre-operatoin inspection item)	I			I		USER

MAINTENANCE CHART		EVERY					SHOULD BE DONE BY
I: Clean, Inspect, Verify, Adjust, Lubricate, Replace if necessary	FIRST INSPECTION 10 hrs or 30days or 300km (185 m.)	25 hrs or 750 km (470m.)	50 hrs or 1500 km (930m.)	100 hrs or 1 year 3000 km (470m.)	200 hrs or 2 year 6000 km (3730m.)		
C: Clean							
L: Lubricate							
R: Replace							
DRIVE TRAIN							
Front (Gladiator only) / rear propeller drive shaft	I		L			DEALER	
Front (Gladiator only) / rear drive shaft boots and protectors (pre-operatoin inspection item)	I	I				USER	
Wheel bearing		I				USER	
Front (Gladiator only) / rear differential oil level, seals and vents	R		I		R	DEALER	
STEERING / CONTROL							
Handlebar fasteners				I		DEALER	
Throttle / housing / cable (pre-operatoin inspection item)	I		I			USER	
Steering system (more often under severe use)	I			I		DEALER	
Tie rod ends		I				DEALER	
Wheel nut / studs	I		I			DEALER	
Wear / pressure of tires (pre-operatoin inspection item)	EVERY OPERATION					USER	
Front wheel alignment	I			I		DEALER	
SUSPENSION							
A arms (pre-operatoin inspection item)	I			I		USER	
Shock absorbers (pre-operatoin inspection item)			I			DEALER	
BRAKE							
Brake fluid (pre-operatoin inspection item)	I	I			R	USER	
Brake pads		I				USER	
Brake system (discs, hoses etc.) (pre-operatoin inspection item)				I		USER	
BODY / FRAME							
Engine compartment	C		C			USER	
Frame				I		DEALER	
Hitch / tailer ball condition (if installed)	I		I			USER	
Chassis fatemers			I			USER	
Seat latch (pre-operatoin inspection item)	EVERY OPERATION					USER	
Vehicle cleaning and protection			C			USER	

⚠ Warning

Improper maintenance or failure to perform recommended maintenance can be hazardous.

Improper maintenance or failure to perform recommended maintenance could result of an accident.

Keep this vehicle in good condition. If you are not familiar with safe maintain practices and adjust procedures, ask your CECTEK dealer to do.

⚠ Warning

Driving under severe condition will causes more wear on this vehicle. Server conditions include driving under frequent full throttle, or in dusty, wet sandy or muddy areas. These conditions will cause the vehicle to wear more quickly.

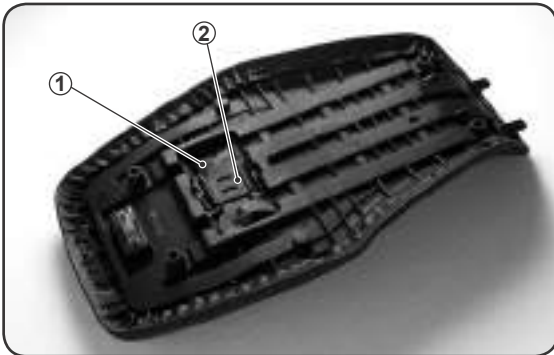
If you drive this vehicle under above condition, maintain your vehicle more often than the schedule in the chart. Contact CECTEK dealer if you have any questions regarding maintenance.

⚠ Warning

Replace genuine CECTEK parts by the poor quality parts can damage your vehicle. Poor-made part could cause your vehicle to wear quickly and shorten useful life.

Only use genuine CECTEK replacement parts or equivalent designed for use on this vehicle.

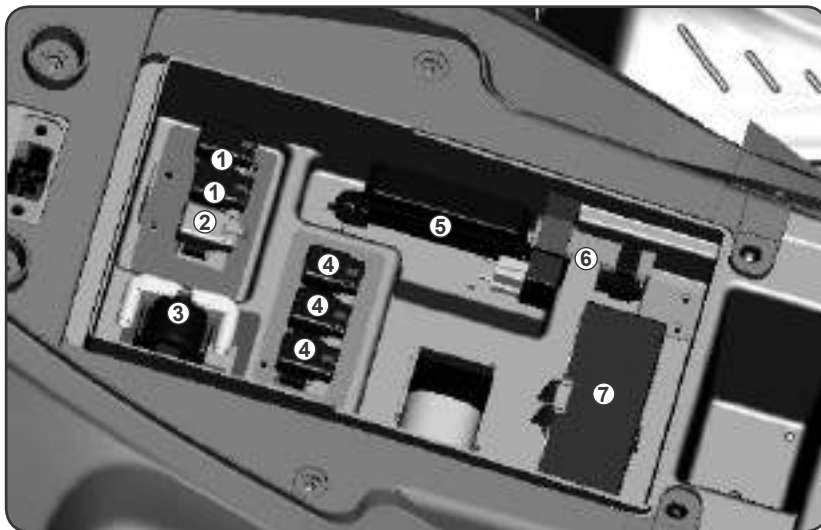
TOOL KIT



- ① Tool kit
- ② Strip

Always carry the owner's manual and tool kit with this vehicle. The owner's manual has the necessary information to provide you maintenance and minor repairs. The tools provided for the basis maintenance in this owner's manual. It is located under the seat.

ELECTRICAL HOUSING



- ① Fan relay, fuel pump relay (20A each, no specify for sockets)
- ② Main power relay (30A)
- ③ Starter relay
- ④ Head light relay Hi/Lo, other lights* relay (20A each, no specify for sockets)
- ⑤ Fuse box
- ⑥ Flasher
- ⑦ DCU

*Other lights include tail light and license light

BATTERY



① Battery

The battery is located under the seat. It is a maintenance-free type battery. If the battery seems to have discharged, contact with CECTEK dealer. The standard charging rate is 1.8A x 5 to 10 hrs and maximum charging rate is 18A x 0.5hr. Never remove the sealing caps of the battery cells. That will damage the battery. After handling the battery, wash hands.

⚠ Warning

Hydrogen gas produced by batteries can be hazardous. Batteries produce flammable hydrogen gas that can explode if exposed to flames or sparks.

Keep batteries away from sparks, flames, cigarettes or other sources of ignition.

⚠ Warning

Exceeding the maximum charging rate for the battery can harm this vehicle. That could cause severe damage and decrease the battery life.

Never exceed the maximum charging rate.

⚠ Warning

Reversing the battery cable can result the damage of charging system and harm your vehicle.

To install

Connect RED "+" cable first then BLACK "-" cable. Always connect RED "+" cable first.

To reinstall

Disconnect BLACK "-" cable then RED "+" cable.

SPARK PLUG

The vehicle comes with a CHAMPION PRG7C spark plug. Check the color of the plug's porcelain center electrode insulator after vehicle operation. The ideal color on the white insulator around the center electrode is medium-to light tan color. A white or dark insulator indicates that the engine may need adjustment.

Periodically remove and inspect the spark plug because heat and deposits will cause the spark plug to slowly break down and erode. Contact with your CECTEK dealer if your plug insulator is not a light color.

Warning

Improper use of the spark plug can be hazardous.

An improper spark plug may have an incorrect fit or overheat for your vehicle. Engine damage caused by improper spark plug is not covered by CECTEK's warranty.

Replace the spark plug with the specified plug.

SPECIFIED SPARK PLUG: CHAMPION PRG7C

CAUTION

Improperly install of the spark plug can damage your vehicle.

If you tighten the spark plug is out of specified that could damage the aluminum threads of the cylinder head.

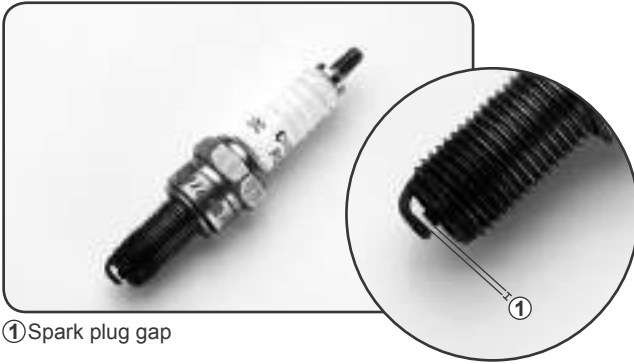
Carefully turn the spark plug by hand into threads. If the spark is new, tighten it with a wrench about 1/2 turn past finger tight. If used the old spark plug, tighten it with a wrench about 1/8 turn past finger tight.

To measure the electrode gap with a wire thickness gauge. Adjust the gap to specification that is good for ignition.

Warning

Dirt can damage engine parts if it enters an open spark plug hole.

Cover the spark hole while the spark plug is out of the hole.



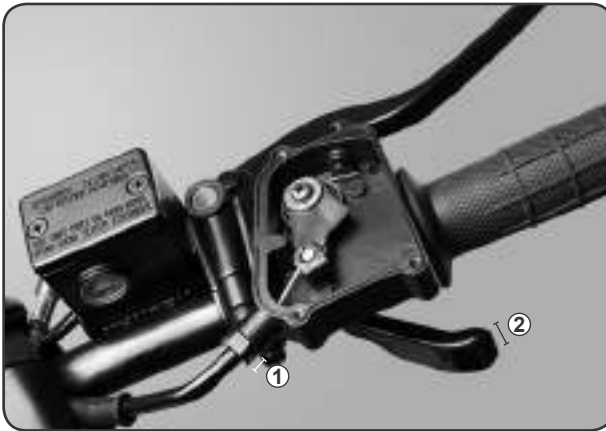
① Spark plug gap

SPARK PLUG GAP SPECIFICATION

0.6~0.7 mm (0.024~0.028 in)

Use a thickness gauge to check the gap and adjust the gap to 0.7~0.8 mm (0.028~0.032 in).

THROTTLE CABLE ADJUSTMENT



① Adjust nut

② Throttle level play (3~5mm) (0.12~0.2 in)

Adjust the engine idling speed before adjusting the throttle lever free play

1. Losses the locknut.
2. Turn the adjusting bolt until the throttle lever free play of 3.0~5.0 mm (0.12~0.20 in).
3. Tighten the lock nut.
4. Recheck the throttle cable play. If it is not within the correct limits, readjust it.

Warning

Operating this vehicle with improperly throttle cable play can be hazardous.

Improper throttle play could result engine speed to rise suddenly when operate the handlebars and lead to loss of the control.

Adjust the throttle cable play before driving . The engine idle speed should not rise due to handlebar movement.

1. FUEL LINES

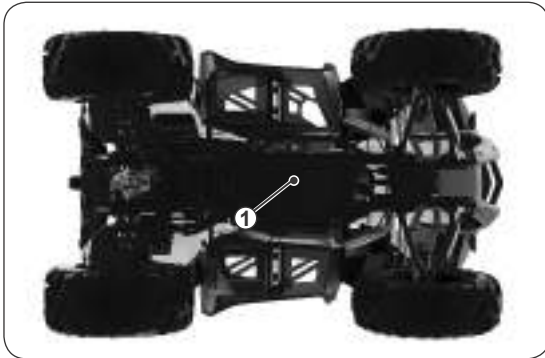


Replace the fuel lines every 4 years, even if it looks good.
The damage from aging may not always be visible.

ENGINE OIL AND FILTER CHANGE

The engine oil and filter must be changed according to the maintenance schedule. The engine oil must be warmed-up before drain it out form the engine. Follow the below procedure to change the oil and oil filter:

1. Park the vehicle on level ground.
2. Remove the dip stick.



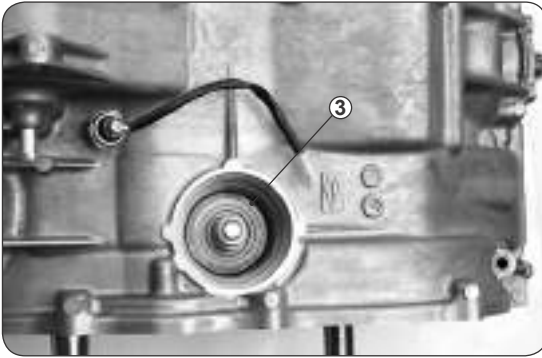
① Drain plug

3. Remove the drain plug ① from the bottom of the engine and drain the oil.



② Oil filter cap

4. Turn the oil filter cap ② counterclockwise and remove the cap.



③ Oil filter opening face down

1. Replace the oil filter and the o-ring on the cap. The opening side of oil filter must down to the engine.
2. Smear engine oil around the o-ring of the cap.
3. Screw the cap by hand until the o-ring contacts the mounting surface (you will feel small resistance).
4. Tighten the oil filter cap.
5. Reinstall the drain plug and tighten it. Torque it by 40N-m.
6. Pour about 3.5 liter specified engine oil into the dip stick hole.
7. Start the engine outside and well ventilated area. Allow it to idle for few minutes and check if the oil pressure warning off.
8. Turn the engine off and wait for few minutes. Check the engine oil level. The engine oil level should be at the "Maximum" position. Refer to "Liquid" section.
9. Inspect the vehicle if there is any oil leakage.
10. If the engine oil does not reach the "Maximum" position and there is not oil leakage, add the engine oil until it reaches the "Maximum" position.

CAUTION

Using the oil not meeting the specification can damage your vehicle.

Confirm to use the oil specified in the "Liquid" section.

AIR CLEANER

The air cleaner element must be kept clean. If the air cleaner element is clogged with dust, intake resistance will be increased, which will decrease in power output and increase in fuel consumption. If ride this vehicle in dusty, wet, or muddy conditions, you must inspect the air cleaner element much more frequently.

Warning

Operating the engine without the air cleaner can be hazardous.

Severe engine damage can also occur if dirt enters the engine due to running the engine without the air cleaner element. The flame of back fire from throttle body may spit without the stop of air cleaner element.

Never run the engine without the air cleaner element in place.

CAUTION

Inspect the air cleaner element after you ride in dusty, wet, or muddy conditions.

The air cleaner element could be clogged under these conditions, and result the damage of your engine.

Always inspect the air cleaner element after driving in severe conditions. Clean or replace elements if necessary. If the water get in the air cleaner case, immediately clean the element and inside of the box.

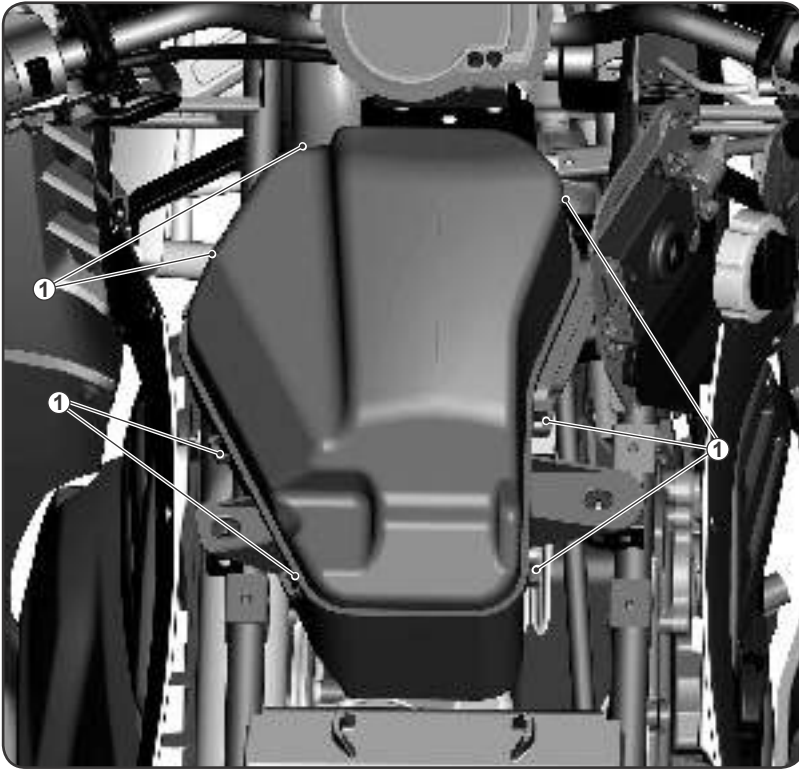
To remove the air cleaner element:

1. Remove the seat.



- ① Upper saddle cover
- ② Right saddle cover
- ③ Left saddle cover

1. Remove the fasteners and saddle covers



① Air box cover clamps

1. Remove the air box cover clamps and use the air gun to blow the dust out from the air cleaner element carefully.

NOTE: Always apply the air pressure on the net side of air cleaner element.

2. Reinstall the new or cleaned air cleaner element in reverse order of removal. Confirm the element is in position and sealed properly.

CAUTION

Failure to position the air clean element properly can allow dirt bypass the air cleaner element and cause the engine damage.

Install the air cleaner element properly.

AIR CLEANER DRAIN TUBES



① Air cleaner drain tubes

Periodically inspect the drain tubes if any gasoline or oil has accumulated. If the tubes have any gasoline or oil, remove the clip and drain tube caps, drain the gasoline or oil into a suitable container, and replace the caps.

Warning

Improperly dispose of the drained oil or gasoline can be hazardous. Oil and gasoline are flammable. Be sure to drain the fluid into a suitable container and dispose it immediately.

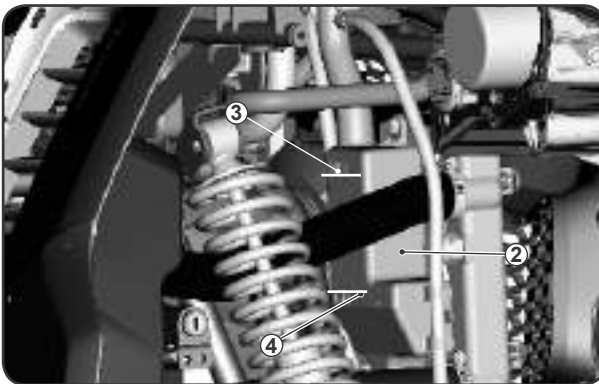
ENGINE COOLANT CHANGE

The engine coolant reservoir is under the front box access panel. To change the coolant, follow the below steps:



① Front box access panel

1. Remove the front box access panel.
2. Parking this vehicle on a level surface.



- ② Coolant reservoir
- ③ Maximum level
- ④ Minimum level (Add)

1. Check the engine coolant level. The engine coolant liquid should be between "MIN and "MAX" level lines on the engine coolant reservoir. Cooling system must be filled with water and antifreeze solution (50% water, 50% antifreeze).
2. Remove the radiator cap. Run the engine and bleed the air out from the coolant system.
3. Install the radiator cap.

Warning

Engine coolant is harmful or fatal if swallowed or inhaled.

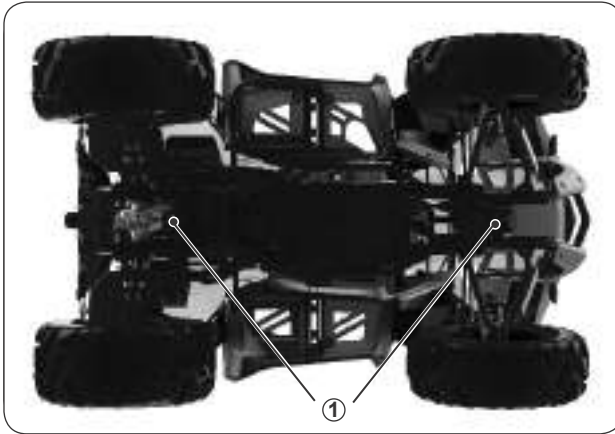
Do not drink and avoid inhaling mist or hot vapors.

If swallowed, do not induce vomiting. Contact a poison control center or physician. If inhaled, remove to fresh air. If coolant gets in eyes, flush eyes with a lot of water and seek medical attention. Always wash hands after handling. Solution is harmful to animals. Keep out of the reach of children and animals.

GEAR OIL CHANGE

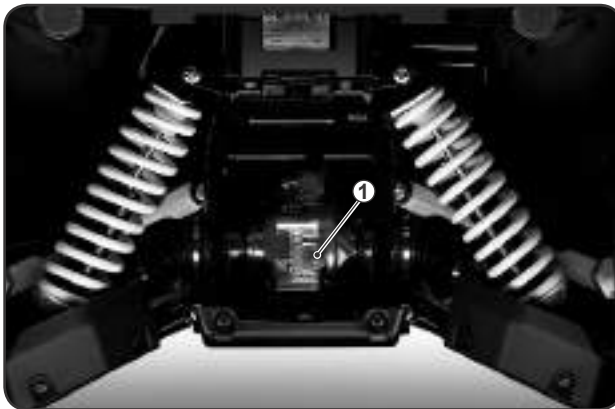
Inspect and change the gear oil at the scheduled time. Follow the procedure to change the front and rear differential gear oil.

1. Park the vehicle on level ground.



① Drain plug

1. Remove the drain plug to drain the oil in to a suitable container.
2. Reinstall the drain plug and tighten it after all the oil has been drain out.



① Filling port

1. Remove the filling port plug.
2. Pour new oil up to the port.
3. Tighten the bolt securely.

Recommended oil (Front/Rear)	PENNZOIL 4096 80W-90 GL-5
Oil Quantity	325±20c.c.

Warning

New and used oil can be hazardous.

Continuous contact with used oil may irritate skin or cause skin cancer disease. To avoid your exposure to used oil, wear a long-sleeve shirt and gloves when changing oil. Always wash hands after changing oil. Launder any clothes or rags if wet with oil.

Avoid children and pets access or reach the oil.

Recycle or properly dispose of the used oil.

TIRES FOR OFF ROAD

Warning

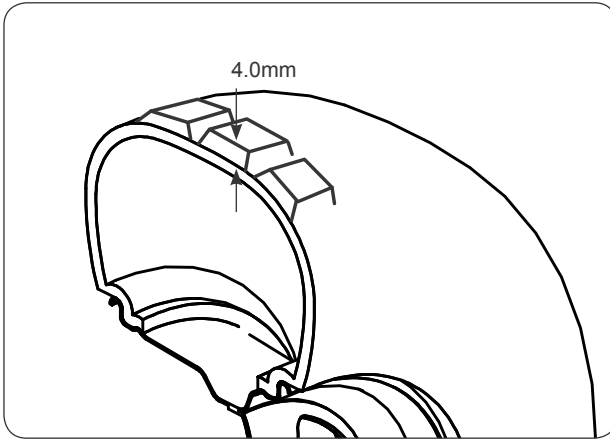
Driving with improperly tires or tire pressure can be hazardous. The tires of Estoc are not for high-way use.

Driving with improper tires or tire pressure could result you lose the control of this vehicle. Always use the specified tire size and type, and maintain proper tire pressure.

Tires for Off road

	FRONT	REAR
SIZE	AT25 x 8-12	AT25 x 10-12

Tire Thread Condition



1. Minimum thread height: 4.0mm (0.16in)

Warning

Using the worn tires can be hazardous.

That could decrease the traction of the vehicle and increase the risk of having an accident.

Replace the tires if the depth on the thread is less than 4.0 mm (0.16 in).

TIRES FOR ON ROAD

Warning

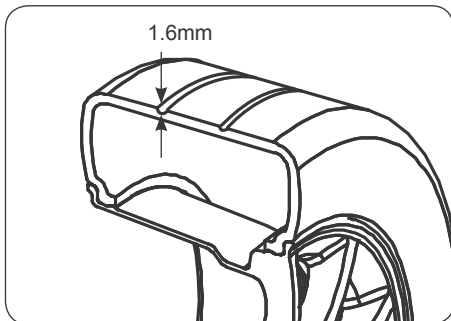
Driving with improperly tires or tire pressure can be hazardous.

Driving with improper tires or tire pressure could result you lose the control of this vehicle. Always use the specified tire size and type, and maintain proper tire pressure.

Tires for On road

	FRONT	REAR
SIZE	195 /45R15	205/55/R15

Tire Thread Condition



1. Minimum thread depth: 1.6 mm (0.06 in)

Tire Pressure

Use a gauge to check the air pressure in each tire before each driving . The tire pressures affect handling, steering response, traction, tire life and rider comfortable. The tire pressure should be measured or adjusted when the tire are cold, or misleading measurements and result.

Routine tire inspections will help you identify problems with tires.

LOAD	TIRE PRESSURE FOR OFF ROAD	
	FRONT	REAR
Up to 175 kg (385lbs)	4.4 psi	5.1 psi

LOAD	TIRE PRESSURE FOR ON ROAD	
	FRONT	REAR
Up to 175 kg (385lbs)	8 psi	8 psi

Inflate air or deflate as needed to match this manual's recommendation.

Tires with pressure that may burst and cause severe injury. Always inspect the tire before each driving .

TIRE REPLACEMENT

These vehicles have tubeless tires. Air is sealed by the contact surfaces of the inner wheel rim and the tire bead. If either the wheel rim or tire bead gets damage, air escapes through the hole, leading to a deflation of the tire.

To prevent damage of the tire bead or wheel rims, using the proper tools when you repair or replace tires. Have this work done by your CECTEK dealer or qualified tire repair station.

Warning

Incorrect installation of the tires can be hazardous.

Incorrectly installed tires could result unusual handling.

Install tires according to the marks on the sidewall of each tires so that they rotate in the right direction.

FRONT AND REAR WHEEL REMOVE

1. Park the vehicle on level ground and set the parking brake and lock.
2. Loosen the wheel nuts
3. Elevate the front or rear end of the vehicle by placing a jack or block under frame.
4. Remove the nuts from the wheel and then remove the wheel.
5. To reinstall the wheel follow the removal procedure and make sure the nut are seriously tightened with a specified torque.

Wheel nuts torque	
FRONT WHEELS	60 N.m.
REAR WHEELS	60 N.m.

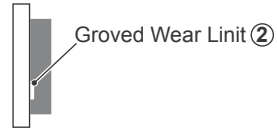
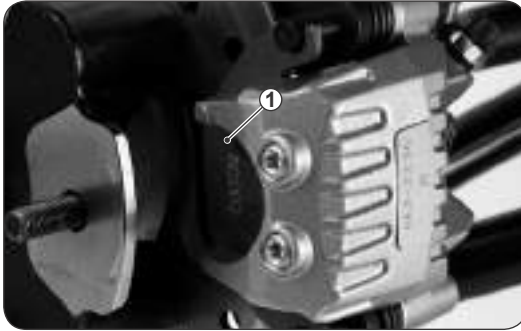
Warning

Failure to tighten the wheel nuts to specified torque can be hazardous. That could cause an accident. Be sure to tighten all of the wheel nuts to specified torque.

BRAKE PADS

Each brake pad is provided with a wear indicator groove. The indicator grooves allow checking of brake pad worn.

To inspect the brake pads, apply the brake and inspect the wear indicator grooves. If the pads are worn down to the grooved wear limit line. Contact with "CECTEK" dealer to replace the brake pads as a set.



- ① Grooved wear limit line
- ② Need to replace the pad when over this limit

Warning

Failure to maintain the break pads and replace them can be hazardous.

Driving with unevenly worn brake pads will increase the risk of having an accident.

Always replace both pads together. Replaying only one brake can result the braking to have unevenly ability. Always replace both pads together.

If you need to replace brake pads, have this work down with your "CECTEK" dealer.

Warning

Driving this vehicle before pumping the brake lever after replacing the brake pads can be hazardous.

After change the brake pads, If the brake levers are not pumped before driving, you may get poor stopping ability and result severe injury.

Pump the brake lever several times until brake pads are workable.

BRAKE FLUID



① Hand brake fluid minimum level



① Foot brake fluid minimum level

If the brake fluid is out of the service specification that may let air enter the brake system and cause the brakes to be ineffective. Before driving, inspect the brake fluid is above the minimum level mark and apply it if necessary.

Warning

Brake fluid is harmful and fatal if swallowed, contact with skin or eyes.

If swallowed, do not induce vomiting, contact with a poison control center or a physician immediately.

If brake fluid gets in eye, flush eyes with a lot of water and seek medical attention. Always wash hands after handling. The brake fluid is harmful to animals. Keep out of the reach of children and animals.

⚠ Warning

Using improperly brake fluid can be hazardous.

Refill with except DOT3, mixing or used fluids, those can damage the brake system and lead to an accident.

⚠ Warning

Failure to keep the brake fluid reservoir above the limit can be hazardous.

A low brake fluid level may indicate worn brake pads or brake system leakage. If the brake fluid level is low, be sure to inspect the brake pads and the brake system leakage.

Be careful that do not let water enter the brake fluid reservoir when refilling. Water will has lower boiling point of the fluid and may result in vapor lock.

Inspect the brake fluid level before each driving .

⚠ Warning

Spilled brake fluid can damage your vehicle.

The brake fluid may deteriorate painted surface or plastic parts. Be careful not to spill any fluid when refill the brake fluid. If spill out it clean up immediately.

FUSES

The main fuse is located under the seat.



① Fuse box



- ① Main
- ② Head light (Lo)
- ③ Head light (Hi)
- ④ Ignition
- ⑤ Fuel pump
- ⑥ Fan
- ⑦ Differential mechanism
- ⑧ Power source

The fuses are located under the seat. The specification and function of each fuse is marked on the cover of box. You must install the fuse according to the specification marked on the box cover. If you could not exactly confirm the specification of fuse, contact CECTEK dealers.

If the fuse is blown, turn off the main switch and install a new fuse that specified amperage. Turn on the switch to check. If the fuse immediately blows again, contact with a CECTEK dealer.

If the electrical system fails to operate, the fuses must be checked.

CAUTION

Using an improper fuse can damage your vehicle.

An improper fuse can cause damage to the electrical system that could lead to a fire.

Always use a fuse of the specified amperage.

LIGHT BULB REPLACEMENT

The wattage rating of each bulb as below chart. When replacing a burned-out bulb, use the same wattage rating.

Headlight	12V V55W
Auxiliary Headlight	12V V55W
Brake Light	12V 21W
Taillight	12V 5W
Indicator Light	12V 10W

CAUTION

Replace the bulb with incorrect wattage rating can damage your vehicle.

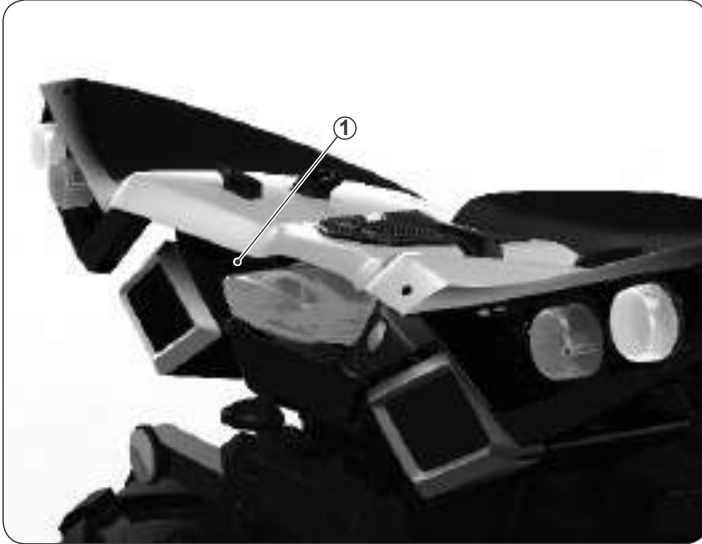
Incorrect wattage could result the electrical system overload, or bulb may burn out sooner.

HEADLIGHT



① Headlight module

BRAKE / TAILLIGHT



① brake / taillight module

Replace the brake / taillight bulb as below:

1. Turn the bulb seat counterclockwise.
2. Pull the bulb seat out from the light module.
3. Replace the bulb.
4. Install the bulb seat back and turn it clockwise.

TRAILER TOWING

Using this vehicle to tow a light trailer with an optional trailer hitch. You should observe the requirements and recommendation as below.

1. Towing a trailer during the break-in period can damage your vehicle. Never tow a trail during the first 10 hours when you ride this vehicle.
2. Ensure to install the proper ball size that match the equipment you will tow.
3. Never use a trailer hitch bracket that provides a trailer coupler location lower than the center of the rear wheels.
4. Trailer towing will add the engine, drive train, and brakes. Safely reduce speed according to terrain conditions when towing a trailer.

CAUTION
Towing a trailer during the break-in period can damage this vehicle.
Trailer towing make the engine, drive train and brakes work under more stress.
Never tow a trailer during break-in period.

VEHICLE/TRAILER LOAD

You must measure the Gross Trailer Weight and Trailer Tongue Weight before towing the trailer.

GROSS TRAILER WEIGHT is the weight of the trailer plus cargo in it. Measure the weight by putting each wheel of the fully loaded trailer on a scale.

TONGUE WEIGHT is the downward force applied on the hitch by the trailer coupling when the trailer is fully loaded up to the limit of gross weight. You can measure this weight by using a bathroom scale on the coupler.

The **GROSS TRAILER WEIGHT** should not over 170 kg (375 lbs).

You may tow up to the vehicle towing limit of 450 kg, when you are towing at very low speed along the straight level path, and on private ground not public road.

The **TONGUE WEIGHT** should not be over 10% of the **GROSS TRAILER WEIGHT**.

Warning

Overloading your trailer can be hazardous.

The overloaded trailer can cause a loss of vehicle control.

Never over load the trailer.

Warning

Improper distribution of cargo or moving cargo in the trailer can be hazardous.

Improper distribution of cargo or moving cargo in the trailer can cause a loss of vehicle control.

Always confirm the TONGUE WEIGHT is 10% of the GROSS TRAILER WEIGHT.

Warning

Driving the vehicle towing trailer without extra care can be hazardous.

Trailer can affect the handling of this vehicle.

Always tow at low speeds and drive smoothly. Do not make quick or sudden maneuvers. Avoid uneven surface and do not tow on hills.

Never carry passenger in the trailer and apply the brake with longer stop distance.

TROUBLESHOOTING

This section is provided to help in diagnosing the problem of some common complaints

CAUTION

Improper repairs or adjustment may damage the vehicle instead of fixing it. Such damage may not be covered under warranty.

If you are not sure about the how to repair your vehicle, consult your CECTEK dealer about the problem.

SYMPTOM	Press "Start", but engine does not run
POSSIBLE REASON	TROUBLE SHOOT
1. Main switch is in "OFF".	Turn the key to "ON" position.
2. Transmission is not in "N" position.	Turn the gear selection knob to "N" position.
3. Engine Stop Switch is in "STOP" position	Switch the "Engine Stop Switch" to "RUN" position.
4. Burnt fuse	Check Fuses
5. Weak battery or loose connection.	Check battery voltage, Check connection and check, Charge the battery, Check charging voltage after starting.

SYMPTOM	Engine rotates, but fails to start
POSSIBLE REASON	TROUBLE SHOOT
1. Burnt Fuse	Check Fuses
2. Fuel level too low	Check fuel level in the fuel tank
3. Failed Spark Plug	Remove spark plug then reconnect to ignition coil, Start the engine with spark plug grounded to engine but not in the hole of spark plug. If no spark, replace a new spark plug. If the trouble persists, contact CECTEK dealer.

SYMPTOM	Engine lacks acceleration or power
POSSIBLE REASON	TROUBLE SHOOT
1. Fouled or damaged spark plug..	Refer to "Engine rotates, but fails to start" section.
2. Fuel level too low	Refer to "Engine rotates, but fails to start" section.
3. Engine overheat	Contact your CECTEK dealer for checking the coolant system or possible reasons.
4. Air filter/ box plugged or dirty	Check the air intake. Check the air filter and clean it. Check deposits in the air box drain.
5. CVT dirty or wear	Contact your CECTEK dealer.

SYMPTOM	Engine back fire
POSSIBLE REASON	TROUBLE SHOOT
1.Exhaust system leakage	Contact your CECTEK dealer
2. Engine is running too hot.	Refer to "Engine lacks acceleration or power" section.
3. Ignition or EMS system fail	Contact your CECTEK dealer.

SYMPTOM	Engine misfire
POSSIBLE REASON	TROUBLE SHOOT
1.Fouled or worn spark plug	Clean/ verify spark plug function and specification. Replace as required.
2.Water in the fuel	Drain all fuel in the tank and refill the fresh fuel.

SYMPTOM	Transmission selection knob is hard to turn.
POSSIBLE REASON	TROUBLE SHOOT
1.Transmission gears are in the position that prevent the knob to rotate.	Rock the vehicle back and forth to move the gears in the transmission.
2. CVT dirty or wear	Contact your CECTEK dealer.

SYMPTOM	Vehicle can not reach full speed.
POSSIBLE REASON	TROUBLE SHOOT
1.Engine	Refer to "Engine lacks acceleration or power" section.
2. Parking brake	Confirm parking brake is fully released.
3. Air filter / box dirty	Check the air intake. Check the air filter and clean it. Check deposits in the air box drain.
4. CVT dirty or wear	Contact your CECTEK dealer.

SYMPTOM	Engine RPM increase, but vehicle does not move.
POSSIBLE REASON	TROUBLE SHOOT
1.CVT fail	Contact your CECTEK dealer.

PREPARTION FOR WINTER DRIVING

Dirt and dust oil will affect good oil performance, especially when the weather is cold. Change the right oil for cold weather before using your vehicle in cold weather. Refer to the FUEL, OIL AND ENGINE COOLANT RECOMMENANDATION section to select the right oil for different weather.

TRANSPORTING

Failure to properly secure the vehicle can be hazardous. That could result of an accident or damage your vehicle.

When transporting the vehicle

- 1.Lock the PARK brake.
- 2.Secure the vehicle by the front and rear bumper. Tie down the vehicle with straps, rope, or any suitable meaning.

CAUTION

Never tip this vehicle on end for transporting. We recommend that transport the vehicle in its normal operating position (on all four wheels.)
--

CLEANING PROCEDURE AND STORAGE PROCEDURE

A through cleaning of your vehicle to maintenance and enhance your vehicle appearance and performing its best. Proper cleaning can also extend the useful life.

It is important to clean and inspect your vehicle after driving in mud, brush, grass, water, salt water, or every dusty condition.

The built-up of the mud, brush, grass etc, especially on the engine and exhaust system, can reduce engine cooling, conceal damage, or increase wear of certain parts. If the built-up of the mud around the brake pedal, brake function will be affected. Clean all debris during cleaning and inspect the brake system after driving in these conditions.

PREPARATION FOR CLEANING

1. Block off the end of the exhaust pipe to prevent water entry. A plastic bag, cloth rag may be used to prevent water from entering the engine.
2. Make sure the spark plug and all filler caps are properly installed.

CAUTION

Excessive water pressure can damage your vehicle.

Excessive water pressure may damage the parts of vehicle and result of the corrosion or increase wear.

Do not use excessive water pressure to clean your vehicle.

Warning

Radiator fins can be damage by excessive water pressure.

Do not spray excessive water pressure on the radiator fins.

WASHING YOUR VEHICLE

1. Use only enough pressure to wash your vehicle.
2. Rinse the vehicle with clean and mild, detergent-type soap thoroughly. Cloth rags, washing mitts or cleaning brushes can be used. Be care with brushes, they will scratch plastic or painted surface.
3. Rinse the vehicle off immediately with clean water and dry all surface with a chamois, clean towel or soft absorbent cloth.
4. Dry the chain and lubricate it to prevent rust.

CAUTION

Avoid spraying or allowing water entry following place.

- Ignition switch
- Spark plug
- Fuel tank cap
- Throttle valve
- Brake master cylinder
- Air intake for air filter and carburetor
- Radiator fins and cooling fan

INSPECTION AFTER CLEANING

Remove the rags or wrapping from the exhaust pipe. Inspect all drain which water may collect in them. Lubricate following the GENERAL LUBRICATION section.

Warning

Operation with wet brakes can be hazardous.

Wet brakes may have reduced stopping ability, increasing the chance of an accident.

Test the brakes at slow speed after washing vehicle. Apply brakes several times to let friction dry out the linings.

Follow the procedures in the INSPECTION BEFORE DRIVING section to inspect the vehicle.

STORAGE PROCEDURE

Long time storage of your vehicle will require some preventive procedure to guard against deterioration.

Vehicle

Place the vehicle on level ground and thoroughly clean the vehicle.

Fuel

Drain the fuel from the fuel tank by hand pump or siphon.

Warning

Improperly drain the fuel from fuel tank can be damage. Fuel can catch on fire if you do not handle in properly.

When draining the fuel from the fuel tank, always

1. Turn off the engine.
2. Do not smoking. Or drain in area where are open flames or sparks.
3. Keep out of reach of children and pets.
4. Dispose of drained fuel properly.

Engine

Remove the spark plug and pour about one tablespoon of motor oil into the spark plug hole and reinstall the spark plug. Ground the spark plug wire and turn on the engine for several times to coat the cylinder wall with oil

Battery

Remove the battery from the vehicle. Store it in a dry place and recharge it once a month. The good temperature for store is less than 0°C(30°F) or more than 30°C(90°F).

Tire

Inflate tires to normal pressure.

External

- Spray all vinyl and rubber parts with rubber to protect.
- Spray unpainted surface with rust preventative.
- Coat painted surfaces with car wax.
- Tie a plastic bag over the exhaust pipe outlet to prevent moisture from entering.

PROCEDURE FOR RETURNING TO SERVICE

- Thoroughly clean the vehicle.
- Change the engine oil. Apply new engine oil as outlined this manual.
- Remove the spark plug ,then turn the engine for few times by pulling the recoil starter.
- Reinstall the spark plug.
- Reinstall the battery.
- Make sure the vehicle is properly lubricated.
- Refer to the INSPECTION BEFORE DRIVING section.
- Start the vehicle as outlined in this manual.

WARRANTY

Please contact CECTEK authorized dealers for detail.