

RENEGADE II

125 SERIES EFI



USER MANUAL



CONQUER THE WORLD

RENEGADE II COMMANDO



RENEGADE II SPORTS S

INTRODUCTION

Congratulations on choosing your New UM Renegade II. By purchasing a new UM, you become a part of worldwide family of satisfied customers; people who appreciate UM's commitment for building quality into every product.

Your Renegade II was designed as a street motorcycle. before riding, take time to get acquainted with you motorcycle and how it works. To protect your investment, we request to you to take responsibility for keeping your motorcycle well maintained. Scheduled service is a must, of course.

But it is just important to observe the brake-in guidelines, and perform all the pre ride and other periodic checks detailed in this manual. The next 1000 kms are the most important for the life of your motorcycles engine. The proper usage during the first kilometers will achieve maximum life and maximum performance of your motorcycle. It is especially important that you do not operate the motorcycle in a manner that will cause engine over heating. We also recommend that you read the owners manual carefully before you ride. It is full of facts, instructions, safety information, and helpful tips.

If you have any questions, or if you ever need a special service or repairs, remember that your UM dealer knows your motorcycle best and is dedicated to your complete satisfaction. Please report any change of address or ownership to your dealer so that we are able to contact you.

This manual should be considered a permanent part of the motorcycle and should remain with the motorcycle when it is resold

This publication includes the latest production information available before printing. United Motors International reserves the right to make changes at any time without notice and without incurring any obligation.

IMPORTANT POINTS

A FEW WORDS ON SAFETY

Your safety, and the safety of others, is the most important. Operating this motorcycle safely is an important responsibility.

To help you to get informed about safety decisions, we have provided operating procedures and other information in this manual. This information alerts you to potential hazards that could hurt you or hurt others. It does not and could not warn you about all hazards associated with operating or maintaining a motorcycle. Thus you must use your own good judgment. You will find important safety information in a variety of forms, including :

- Safety Labels - on the motorcycle -
- Safety Messages - preceded by a safety alert symbol and one of the three signal words: DANGER, WARNING, or CAUTION -
- Safety Headings - such as Important Safety Reminders or Important Safety Precautions-
- Safety Section - such as Motorcycle Safety -
- Instructions - how to use this motorcycle correctly and safely -

This entire book is filled with important safety information. Please read it carefully.



DANGER

You could be killed or seriously hurt if you don't follow instructions.



WARNING

You will be killed or seriously hurt if you don't follow instructions.



CAUTION

You can be hurt if you don't follow instructions.

CONTENTS

IDENTIFICATION OF PARTS	06
VEHICLE IDENTIFICATION	08
IMPORTANT SAFETY INFORMATION	09
MODIFICATIONS	14
FUEL-SAVING TIPS	15
KUI	16
COMPONENT LOCATION & FUNCTION	18
INSTRUMENT PANEL	19
READY TO RIDE ?	26
BASIC OPERATION AND RIDING	28
ENGINE OIL	29
TECHNICAL SPECIFICATIONS	30
PERIODIC MAINTENANCE	32
TROUBLE SHOOTING	35
RECOMMENDATIONS	42
WARRANTY POLICY	43



IDENTIFICATION OF PARTS

- 1 USB Port
- 2 Digital Odometer
- 3 Storage Area



- 1 USB Port
- 2 Intelligent Dashboard
- 3 Storage Area
- 4 LED Light 360



DIMENSIONS

VEHICLE IDENTIFICATION

This number completely identifies your vehicle. This number is used by all state, district, federal and government entities, for regulation, emission purposes and registration. This identification number is stamped on the chassis, and is located on the steering column.

Furthermore, our warranty system is based on this identification number and the engine number. Your engine number will be used by a UM authorized dealer for vehicle identification purposes only. This number is stamped on the left engine case, below the shift pedal.

It is a crime to remove or tamper with the identification numbers.

If there is any issue with either of these numbers, contact UM. You need to safeguard the VIN number (vehicle identification number), as you may need it in case of registration issues, warranty claims, theft, or if there is a service bulletin or campaign.

VEHICLE IDENTIFICATION NUMBER



IMPORTANT SAFETY INFORMATION

Your safety is very important. Your motorcycle can provide many years of service and pleasure, if you take responsibility for your own safety and understand the challenges while riding. There is much you can do to protect yourself when you ride.

Please read through the following instructions before riding your motorcycle the first time.

- Be sure you read this owner's manual completely and understand all operating features.
- Take sufficient time training with safe and proper riding technique.
- Practice until you are knowledgeable and comfortable with your motorcycle, and knowledgeable with all road signs.

Failure to follow any safety instructions could cause severe injury or even death to the motorcycle operator, passenger or pedestrians. Before riding each time, make sure of the following:

WEAR PROTECTIVE GEAR

Riding a motorcycle leaves the rider exposed. Therefore, wearing appropriate protective gear can prevent or diminish injuries from accidents.

- **Helmet** – The majority of serious motorcycle injuries and deaths are direct result of a head injury. Therefore, drivers and passengers should always wear a helmet to prevent or reduce the chance of head injury.

- **Eye and Face Protection** – A plastic face shield can help prevent accidents by guarding the face and eyes from debris, allowing the rider to devote full attention to the road. Goggles or glasses can protect the eyes in the same manner.

- **Clothing** – Bright clothing should be worn by the driver so as to be seen easily by other motorists. Avoid loose clothing that could catch on the levers, chain or wheels which could result in an accident. Gloves give you a better grip and help protect your hands.

DO NOT RIDE WHILE UNDER THE INFLUENCE

Before getting on your motorcycle, make sure :

- You have not consumed alcohol or taken drugs.
- You are in good physical and mental condition.
- You have done the recommended pre ride inspection.
- Start the engine in a well-ventilated area. The exhaust emits toxic and poisonous carbon monoxide.

SAFE RIDING PRINCIPLES

- Keep enough distance with the other vehicles around you as this gives you time to react.
- Always observe the rules of the road. Observe the posted speed limit, and signal your turns well in advance.
- Know your limits. Do not go faster than you are able to control. Always travel at a speed that is proper for the operating conditions, your ability and experience.
- Always inspect your motorcycle each time you use it to make sure it is in safe operating condition.

- Always follow the inspection and scheduled maintenance procedures described in this manual.
- Test your brakes after operating in wet conditions.
- Never attempt wheelies, jumps and other stunts, as these could cause damage to the motorcycle and cause loss of control.
- Always keep both hands on the handlebar and feet on the foot pegs during operation.
- Never consume alcohol or drugs before or while riding your motorcycle.
- Limit the travel distance to avoid fatigue that can affect performance and awareness from the elements.
- Do not touch the engine or exhaust after riding as they will be extremely hot right after the engine has been turned off.
- Park the motorcycle away from fuel or flammable materials.

BEING SEEN

Many motorcycle accidents are caused by car drivers who do not see motorcycle riders on the road. Therefore you need to follow these guidelines:

- Wear bright clothing to increase visibility
Bright orange, yellow or green jackets or vests and a brightly colored helmet can help others see you.
- Always use turn signals when you are planning to turn or merge to main roads, and turn it off after you have made your turn.
- Flash brake lights whenever you are going to slow down quickly or where others may not expect you are going to slow down.
- Stay out of blind spots of other motorists.
- When you come to an intersection, move to the portion of your lane that will bring you into another driver's field of sight at the earliest possible moment.

HOW TO KEEP YOUR MOTORCYCLE SAFE

The equilibrium and stability of your motorcycle are affected by the manner in which you load it. It is very important that you do not install accessories that change the design and concept of the motorcycle. Doing so could alter the safety of your motorcycle.

LOADING & CARRYING PASSENGERS

You should avoid carrying passengers or large loads until you have gained sufficient experience riding alone. Extra weight changes handling, stability, braking performance, turns, acceleration and deceleration. The load you carry on the motorcycle has an important effect on your safety, as well as the life of the motorcycle; therefore, apart from driver and passenger, it is advised to keep load to a minimum. If you decide to carry any load, take the following into account :

- Make sure the load is as light and as small as possible.
- Make sure the load does not interfere with any moving parts.
- Make sure the load does not interfere with your ability to move around in order to maintain proper equilibrium.
- Put the load as close as possible to the center of the motorcycle.
- Put only light load on rear rack, if installed.
- Do not attach anything to handlebars, steering, headlight or front forks.
- Strap everything properly.
- Inflate tires properly.
- Keep the load low and distribute the load evenly. An uneven load can cause the motorcycle to drift to one side.

Carrying excess load on your motorcycle can cause an accident or crash resulting in severe injury or even death to the motorcycle operator, passenger or by stander.

To carry passengers safely, you must instruct the passenger before you start to :

- Wear a helmet.
- Get on the motorcycle after you have started the engine.
- Sit as far forward as possible without crowding the driver.
- Hold firmly to your waist, hips, belt or passenger handles.
- Keep both feet on the pegs at all time, even when the motorcycle is stopped.
- Keep legs away from hot and moving parts. • Stay directly behind you, leaning as you lean. • Avoid any unnecessary motion.

To drive with a passenger safely, you must :

- Go slower.
- Start slowing earlier as you approach a stop.
- Maintain a large cushion of space ahead and to the sides.
- Wait for large gaps when you want to cross, enter or merge into traffic.

PETROL AND EXHAUST FUMES

Petrol is highly flammable and exhaust fumes are poisonous:

- Turn off engine before refueling.
- Do not spill any Petrol on the engine, exhaust system or the plastic parts.
- Do not refuel while smoking or near any open flame.
- Do not operate your motorcycle in a closed area as the exhaust fumes may cause loss of consciousness or death within a short time.
- Do not park the motorcycle near a flame source.
- If you swallow Petrol, inhale Petrol vapor or spill Petrol in your eyes, see a doctor immediately or go to the nearest hospital.
- If you spill Petrol on your clothes, change and wash the affected area immediately with soap.

MODIFICATIONS

Any modifications to this motorcycle, removal of original equipment or use of unapproved accessories, may cause it to be unsafe for use and may trigger severe accidents. Some modifications may also make your motorcycle illegal to use on public roadways, and will void all warranty coverage.

Your dealer is familiar with all recommended accessories for your motorcycle, and should be consulted before installing any accessories. The owner of the motorcycle is responsible for the safety, installation and usage of any accessories not approved by UM.

Before installing new accessories, make sure they do not interfere with moving parts, reduce ground clearance, and do not interfere with the operating controls.

BREAK - IN

The long term wear and duration of your motorcycle depends of the way you treat it during the first days of operation and the first 1000 kilometers. During this period, limit full throttle operation, and avoid driving at high speeds and any condition that may result in engine overheating. Do not exceed 65 Km during the initial running-in period.

The recommended maximum speeds in kilometers per hour during the initial running in period, and the next 1000 kms are the following:

Kms.	1st Gear	2nd Gear	3rd Gear	4th Gear	5th Gear
0-1000	15	30	45	55	65

- Always stay within these limits during the break-in period.
- Do not accelerate the engine excessively.
- Do not move the motorcycle immediately after starting the engine. Allow the engine to warm up for a minute at low rpm so that proper lubrication reaches the top end of the motor.
- Avoid letting the engine stall. Downshift before to maintain proper engine revolutions.

FUEL -SAVING TIPS

The way you drive your motorcycle will have a direct impact on your fuel consumption.

- Driving at appropriate speed and avoiding sudden acceleration or braking, is not only important for your safety and fuel economy, but also to extend the usable life of your motorcycle and to achieve a smoother operation.
- Driving within allowed limits inside the city will yield surprising fuel economy.
- Always maintain tires at recommended pressure. Check pressure weekly.
- Have your motorcycle inspected and serviced according to the periodic service and maintenance table.
- Check that brakes are not dragging and preventing the wheels from turning freely. Avoid riding with the rear brake pedal pressed.
- Turn off the engine if waiting for more than a few minutes.
- Do not fill up fuel tank above cap neck.

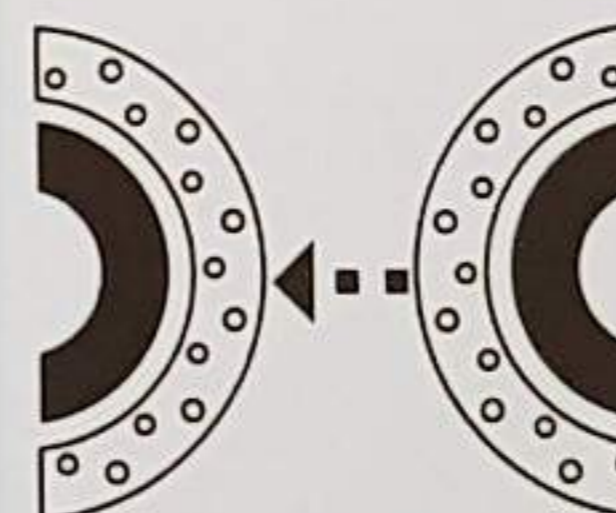
KUI

The Renegade II comes equipped with some KUI's (Key UM Innovations) that helps to increase the safety and rider comfort. Standard or optional equipment vary depending on the market, so please consult your dealer for details :



USB CHARGING PORT

The inclusive USB charging port is capable of charging your mobile devices as well as standard USB products whilst your on the move. Save time and hassle with the comfort of knowing your devices are charged at all times.



CBS

COMBINED BRAKE SYSTEM

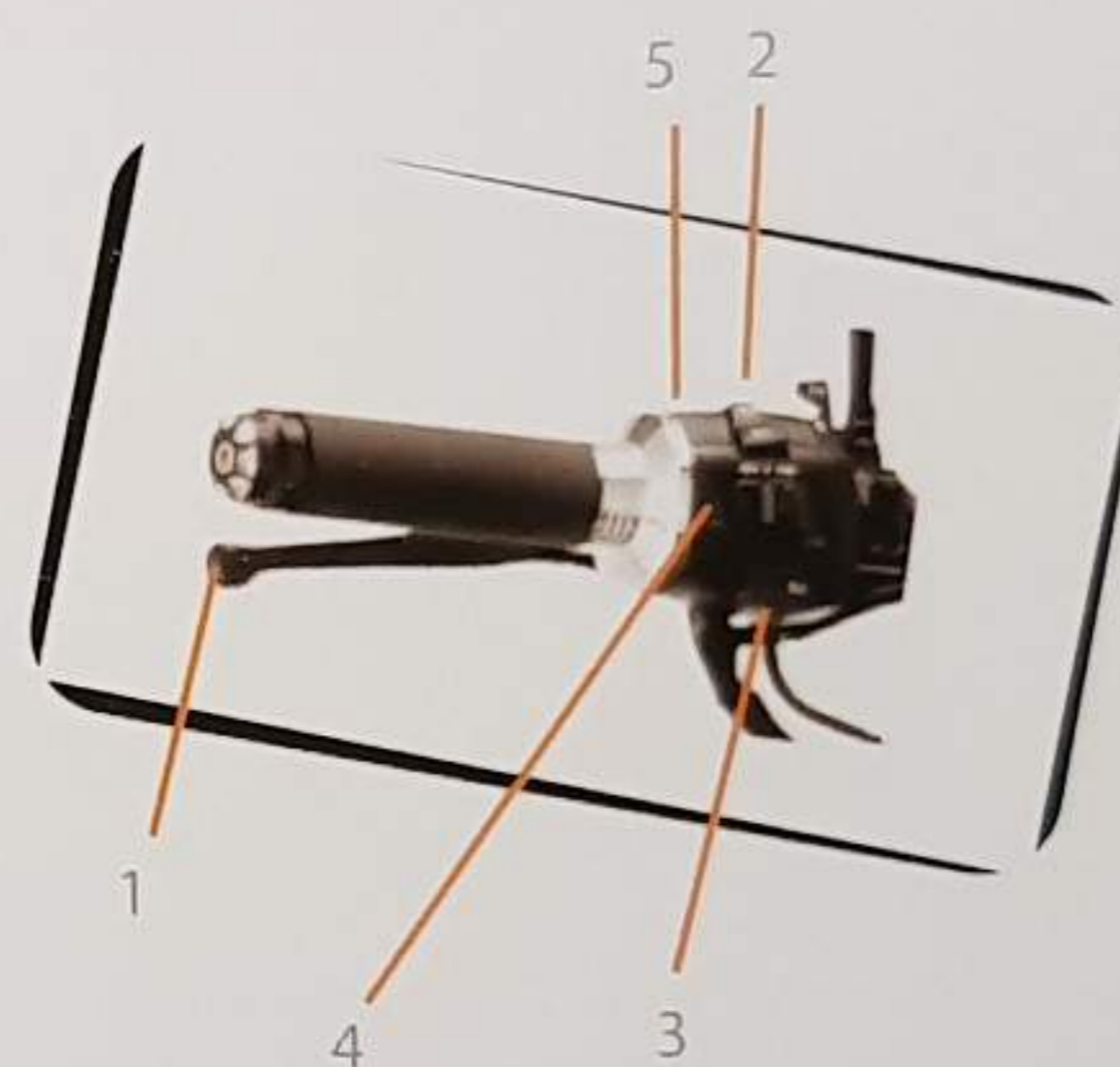
UM renegade II 125 series EFI is equipped with combine brake system, which when you use the rear brake, the rear brake force is distributed and helps to brake with the front brake too, thus being softer an efficient the rear brake system.



Mikuni EFI

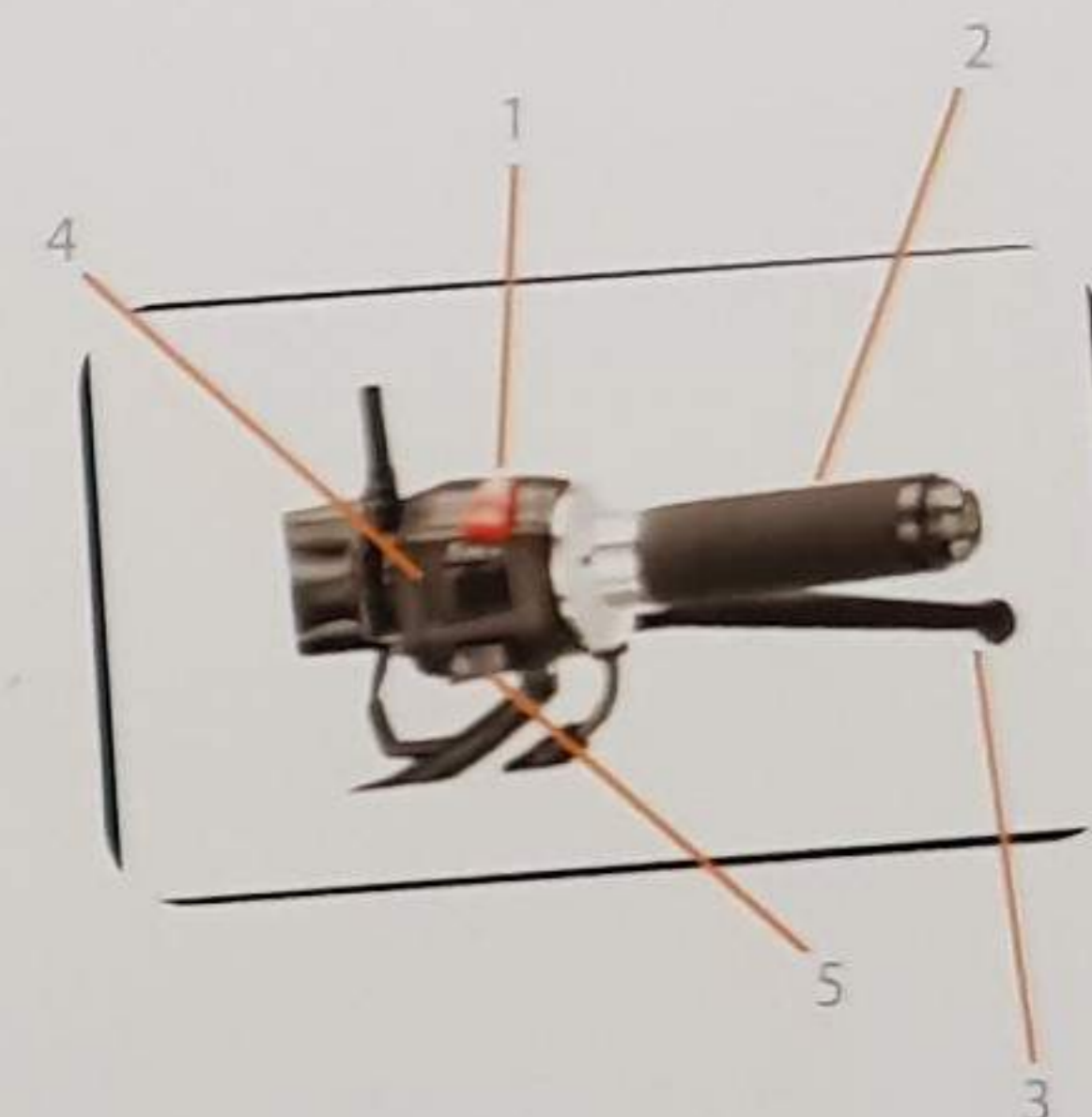
The UM Renegade II 125 series EFI uses a "Mikuni" EFI (electronic fuel injection) system, which adapts to the environment, collect information and improve the fuel consume performance. thus the gases emissions are less harmful to the planet.

COMPONENT LOCATION & FUNCTION



LEFT CONTROL

- 1 Clutch Lever
- 2 Hi and Low Switch
- 3 Horn
- 4 Directional Switch
- 5 Passing Light Switch

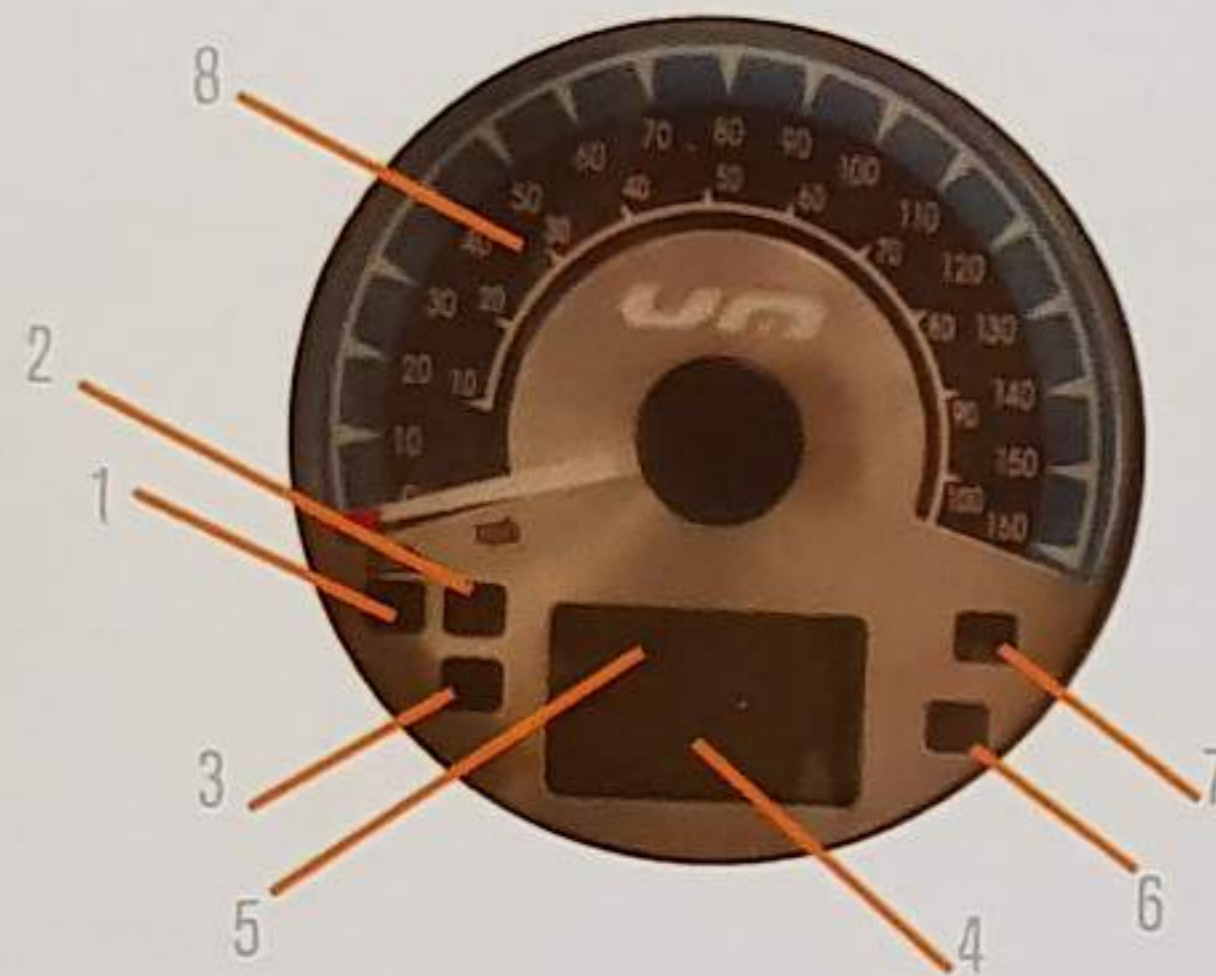


RIGHT CONTROL

- 1 Engine Kill Switch
- 2 Accelerator
- 3 Front Brake
- 4 Parking Lights Switch
- 5 Start Switch

INSTRUMENT PANEL

UM RENEGADE II 125 EFI SERIES



1. **High Beam Indicator** : It will turn on when the head light is in high beam position.
2. **Check Engine Light**: It is normal that it lighting when you turn on the ignition switch, but once you turn on the start switch and the engine start, the check engine light must be turn off, if keeps it lighting indicate malfunction of the computerized engine-management system
3. **Left Directional Light**: It will turn on when move the directional switch to the left

4. **Odometer** : Indicates accumulated distance.
5. **Fuel gauge** : Indicates fuel level on.
6. **Right Directional Light**: It will turn on when move the directional switch to the right.
7. **Neutral light**: Indicates when engine is in neutral and there is no gear engaged.
8. **Speedometer**: Indicates the instantaneous speed of the motorcycle.



IGNITION SWITCH

Commando-Ignition switch is fitted near handle bar.This key operated switch has 3 positions: "ON", "OFF" & "Steering lock".

Sports S- Ignition switch is fitted on Fuel tank. This key operated switch has 3 positions: "ON", "OFF" & "Parking light".

STEERING LOCK

The steering lock is located on the side of the steering stem in Sports S.

KEY

The same key will operate the ignition switch, steering lock, fuel cap.

STEERING LOCK

To lock the steering:

- Turn handlebar completely to either side.
- Insert the key in the steering lock and turn clockwise until the steering is locked.
- Remove the key.

FUEL TANK CAP

To open fuel cap :

- Insert the key.
- Turn key clockwise to open.

CAUTION !

- Do not mix the gasoline with any type of oil. To close the fuel cap, press cap down and make sure it is latched. Remove the key and fold the protecting tab down.



DANGER

"Trying to operate motorcycle without properly fitted fuel cap can cause fuel leakage & may lead to serious problem"



CAUTION

Do not mix fuel with any type of oil.

OVERHEATING ALARM

When the engine is overheating you are going to hear a beep sound that comes from under the seat. We recomendes turn off the motorcycle and wait 20 minutes to decrease the engine temperature, and then continue your ride. If the problem continues, please turn off the motorcycle and contact your UM dealer as soon as possible to solve the problem.



FUEL FILTER !

To guaranty the perfect function of fuel injection system, the fuel filter must be changed every 3000 Km



CHECK ENGINNE LIGHT

When you turn on the ignition switch it is normal that it is lighting (Check engine light), but if keeps it lighting once it is turn on the start switch, it is indicating malfunction, and need to be realized a EFI diagnostic. Contact your UM dealer as soon as possible to solve the problem.



CLUTCH LEVER



The clutch lever located on the left side is used to disengage the transmission when vehicle is not moving, and for shifting gears. Pull lever in completely before shifting. Once gear has been engaged, slowly release the lever.

THROTTLE

The throttle controls engine rpm (speed). To increase engine rpm, rotate the grip toward you. To reduce engine rpm, rotate the grip away from you. The throttle will automatically return to the closed position (engine idle) when you remove your hand.

FRONT BRAKE LEVER



The front brake lever located on the right hand side is used to slow down or stop the vehicle. Take your time to learn some braking techniques, learn how use appropriate the combined brake system.



REAR BRAKE PEDAL

The rear brake pedal is used to slow down or stop the vehicle. Besides UM renegade II 125 series EFI is equipped with combined brake system, which when you use the rear brake, the rear brake force is distributed and helps to brake with the front brake too, thus being softer and efficient the rear brake system.



GEAR SHIFT LEVER

The gear shift lever is used to select the next higher or lower gear in the transmission. To operate, raise the gear shift lever (after pulling in the clutch lever) to engage the next higher, or press the gear shift lever down to engage the next lower gear.



SIDE STAND

The side stand is used to support your motorcycle while parked. To operate, use your foot to lower the stand until it is fully extended. Raise the stand before riding.

CENTER STAND

The center stand should be used on level ground. It will permit lifting the rear wheel off the ground.

To operate, use your foot to lower the stand until it touches the ground, and raise the rear of the motorcycle while pushing the foot down. Fold the stand back before attempting to move the motorcycle.

READY TO RIDE ?

Are you ready to ride? Before riding, make sure you and your Renegade II are both ready to ride:

- Read and understand this manual carefully.
- Take time to learn and practice. Start by practicing in a safe area and slowly build your skills.
- Use highly visible and reflective clothing recommended for motorcycle riding.

CAUTION !

- Don't ride when you are in poor physical or mental shape.
- Don't drink and ride. Alcohol and riding don't mix. Even one drink can reduce your ability to respond to changing conditions, and your reaction time gets worse with every additional drink.

IS YOUR MOTORCYCLE READY TO RIDE ?

Before each ride, it's important to inspect your motorcycle and make sure any problem you find is corrected. A pre-ride inspection is a must because road conditions can be very harsh on your motorcycle, and a pre-existing problem can let you down on the road, away from help.

Always perform a pre-ride inspection before every ride and correct any problems. Improperly maintaining this motorcycle or failing to correct a problem before riding can cause a crash in which you can be seriously hurt or killed.

PRE - RIDE INSPECTION

INSPECT THE FOLLOWING ITEMS BEFORE YOU GET ON THE MOTORCYCLE

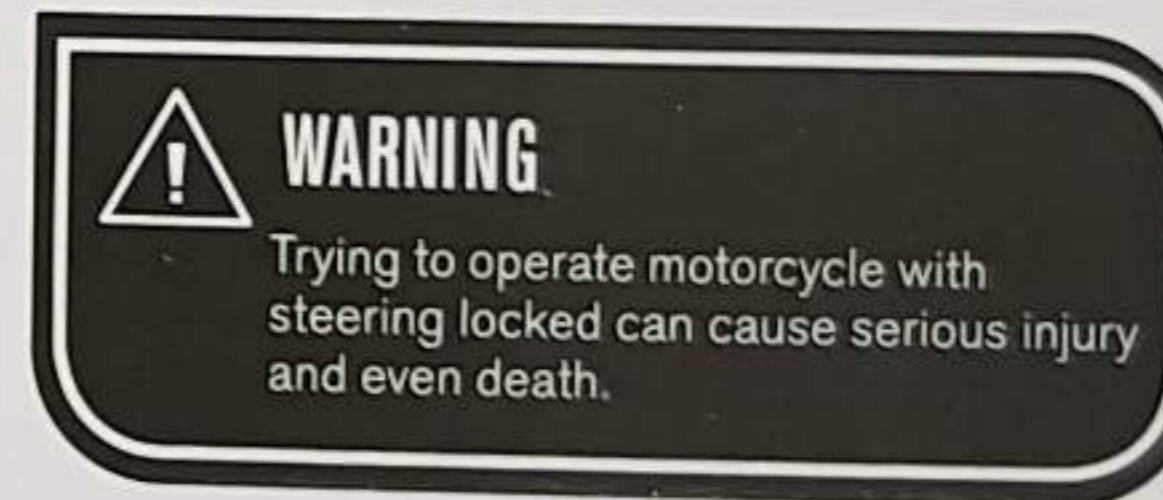
ITEM	ACTION
FUEL	Check fuel level and add enough for distance to ride. Close fuel cap properly.
LEAKS	Check for possible fuel leaks from the tank and oil leaks from the engine.
ENGINE OIL	Check oil level and add if necessary.
COOLANT	Check the coolant level and if necessary maintain the level between High & Low mark.
TIRES	Check tire pressure when tires are cool. Adjust tire pressure if necessary. Check for air leaks.
WHEELS	Check wheels for damage and verify that wheel axles are tight.
DRIVE CHAIN	Check chain for wear and tight spots. Check and adjust tension if necessary. Lube chain as needed.
CABLES	Check cables for wear or breaks.
NUTS & BOLTS	Check all accessible nuts and bolts and make sure they are tight.
THROTTLE	Check free play and adjust if needed. Rotate the throttle to make sure it moves freely and snaps shut automatically when it is released in all steering positions.
CLUTCH LEVER	Check for smooth operation and adjust if needed.
BRAKES	Squeeze the front brake lever and step on the rear brake pedal to check that the controls operate normally. Check for proper freeplay and adjust if necessary. Check front and rear pad wear. Check brake fluid level.
ELECTRICAL COMPONENTS	Check proper operation of headlight and taillight, check turn signals and brake light, check horn and electric starter.

BASIC OPERATION AND RIDING

Before riding your motorcycle, please revise the safety messages given in the first pages of this manual. Even if you are a motorcycle rider, practice in a safe area and get accustomed to the weight of the motorcycle, your riding position for good equilibrium and the control operation of this motorcycle.

STARTING & STOPPING THE ENGINE

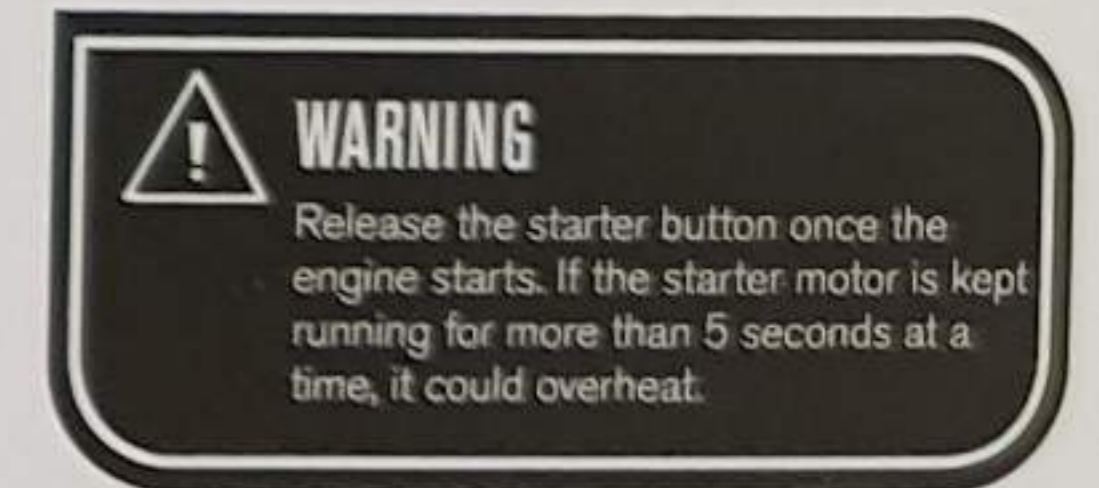
You can start your motorcycle using the electric starter.



STARTING & STOPPING THE ENGINE

Do not start the engine in an enclosed area. The exhaust fumes release toxic carbon monoxide that can cause disability or even death.

- Sit on the motorcycle.
- Insert the key in the ignition switch and unlock the steering.
- Turn the switch ON.
- Make sure motorcycle is in NEUTRAL.
- Make sure that fuel valve is ON.
- Press Clutch lever.
- Press switch to start the engine.
- Release the starter button once the engine starts. If the starter is used for more than 5 seconds at a time, it could heat up and get damaged. If engine does not start, wait 10 seconds and try again.
- Lift side stand up.



ENGINE OIL

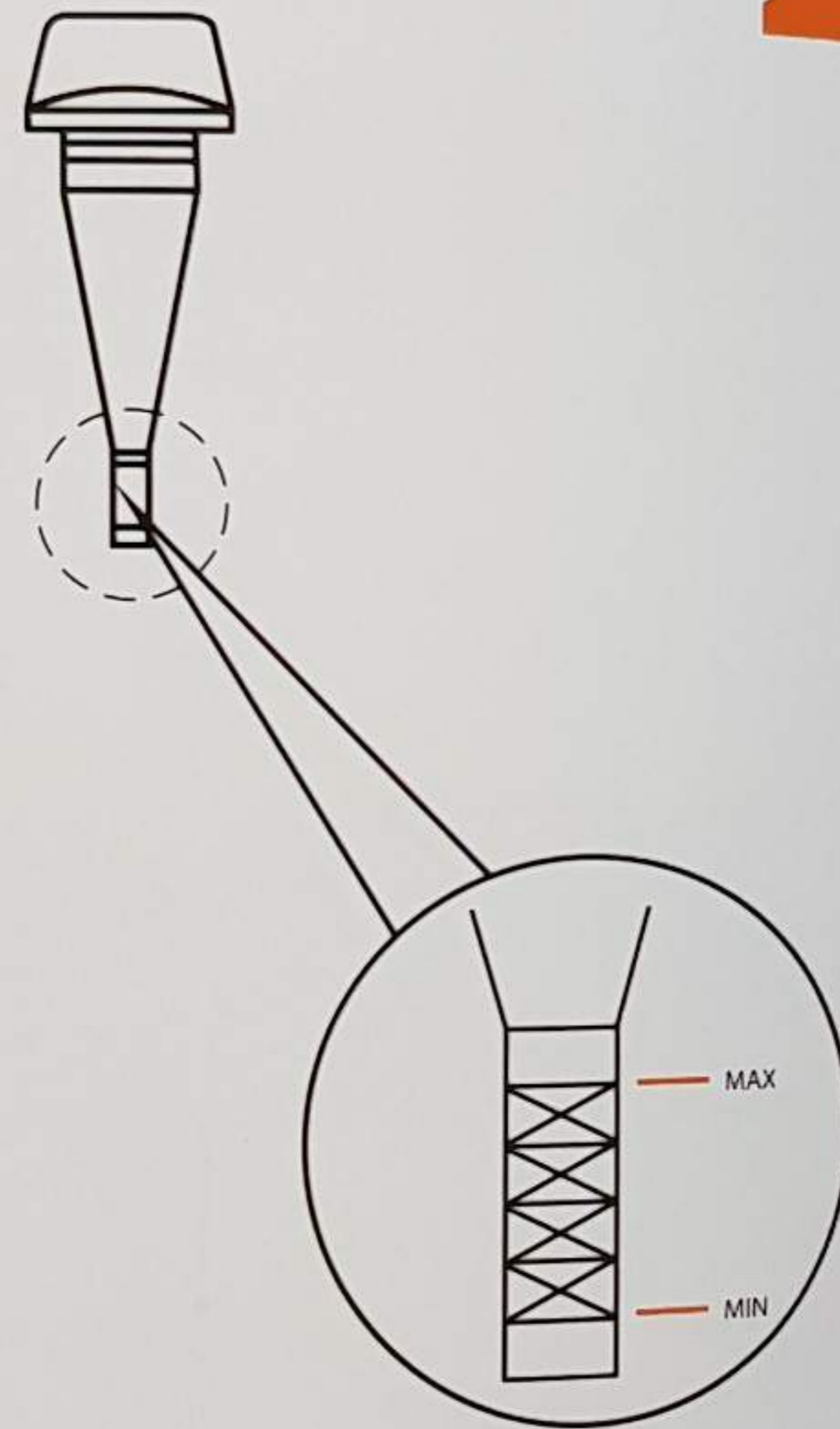
Check oil level weekly. Always keep oil level between the HI and LO mark. Add oil when is necessary. To check oil level :

- Make sure engine is turned off for more than 3 minutes, otherwise level may not be accurate.
- Put the motorcycle straight and on a level ground.
- Check oil level by removing oil cap and checking on dip stick incorporated in cap.

Change engine oil every 3000 Km at an Authorised UM Service Center. Recommended oil Renegade Ignitor : SJ 10W40.

IMPORTANT NOTE

With every oil change make sure that is changed the fuel filter too. This fuel filter change will provide you a perfect performance of the fuel injection system.



TECHNICAL SPECIFICATIONS

PARAMETERS	COMMANDO	SPORTS S
Engine Type	Single Cylinder, 4 stroke, 4 valve, Liquid Cooled, Spark Ignition	Single Cylinder, 4 stroke, 4 valve, Liquid Cooled, Spark Ignition
Displacement	224.6 cc	224.6 cc
Power (HP/RPM)	13.4 HP @9500 RPM	13.4 HP @9500 RPM
Maximum Torque (NM/RPM)	10 N.m @8000 RPM	10 N.m @8000 RPM
Compression	11:1	11:1
Bore & Stroke (mm)	52.4 x 57.8	52.4 X 57.8
Ignition	CDI	CDI
Cooling System	Liquid cooled	Liquid cooled
Transmission	5 speed, Constant Mesh, Two stage	5 speed, Constant Mesh, two stage
Final Drive	520 O-Ring Chain	520 O-Ring Chain
Engine Oil Quantity (Removed Filter)	1100 ml	1100 ml
Engine Oil Grade	Renegade Ignitor	Renegade Ignitor
Coolant Quantity	800 ml	800 ml
Coolant Grade	COOLELF AUTO SUPRA-37°C	COOLELF AUTO SUPRA-37°C
Front Suspension	Hydraulic Telescope Ø 41 mm	Hydraulic Telescope Ø 41 mm
Rear Suspension	Twin Hydraulic with Spring	Twin Hydraulic with Spring
Front Tyre	110/90-16	110/70-17 (Tubeless)
Rear Tyre	140/90-15	140/90-15 (Tubeless)

PARAMETERS	COMMANDO	SPORTS S
Front Brake	Disc Ø 280 mm, 2 Piston Caliper	Disc Ø 280 mm, 2 Piston Caliper
Rear Brake	Disc Ø 240 mm, 1 Piston Caliper	Disc Ø 240 mm, 1 Piston Caliper
Wheels	Steel spokes	Alloy wheel
Starting System	Electric Start	Electric Start
Kerb Weight	172 Kg (with 90% fuel* oil)	172 Kg (with 90% fuel* oil)
Seat Height (mm)	750 mm	750 mm
Overall Height (mm)	1140 mm	1140 mm
Overall Length (mm)	2257 mm	2227 mm
Overall Width (mm)	780 mm	780 mm
Wheelbase (mm)	1545 mm	1545 mm
Ground Clearance (mm)	200 mm	200 mm
Fuel Tank Capacity (Litres)	18 Lit	18 Lit
Reserve	2 Ltr (Approx)	2 Ltr (Approx)

TYRE PRESSURE (COMMANDO & SPORTS S)

	Solo Rider	Pillion Rider
Front Tyre	29 PSI	29 PSI
Rear Tyre	29 PSI	33 PSI

Periodical Maintenance & Lubrication Chart

The maintenance schedule described below is designed to maintain your UM motorcycle to give an optimum performance & trouble free service. The vehicle must be serviced at every 3000 km or within 3 months whichever is earlier. All activities are laid down for average riding conditions. However depending upon rigorousness & dirt rides, the intervals of maintenance must be shortened.

Sr. No.	Description	Service									
		Month	1st	2nd	3rd	4th	5th	6th	7th	8th	9th
Which ever is Earlier		Month	1	3	6	9	12	15	18	21	24
		Km	1000	3000	6000	9000	12000	15000	18000	21000	24000
1	Engine oil		R	R	R	R	R	R	R	R	R
			Check level at every 1000 Kms or earlier as required								
2	Engine oil filter element		R	R	R	R	R	R	R	R	R
3	Engine sump filter (oil strainer)		I	I	I	I	I	I	I	I	I
4	Air filter paper element		C	C	C	C	R	C	C	R	C
5	Fuel filter		REPLACE AT EVERY 3 000 KM								
6	Spark plug		INSPECT AT EVERY			4500 KM; REPLACE			AT EVERY 9 000 KM		
7	Pump fuel filter		CHANGE EVERY 10000 KM								
8	Accelerator cable play		I	I	I	I	I	I	I	I	I
9	Clutch lever free play		I	I	I	I	I	I	I	I	I
10	Fuel cap		I	I	C	I	C	I	C	I	C

Sr. No.	Description	Service									
		Whichever is Earlier									
		Month	1st	2nd	3rd	4th	5th	6th	7th	8th	9th
Km	1000	3000	6000	9000	12000	15000	18000	21000	24000		
11	Hand levers pivot	L	L	L	L	L	L	L	L	L	
12	Radiator coolant level	I = AT EACH SERVICE & TOP UP, R = AT 15000 KM									
13	Inlet / exhaust valve setting	I	I	I	I	I	I	I	I	I	
14	Rear brake pedal pivot	L	L	L	L	L	L	L	L	L	
15	Check battery voltage / terminals (Apply petroleum jelly)	I	I	I	I	I	I	I	I	I	
16	Drive chain slackness /wear	CLEAN & LUBRICATION AT EVERY 500 KM									
17	Drive chain sider condition	INSPECT AT EVERY 12000 KM									
18	Front fork oil leakage	I	I	I	I	I	I	I	I	I	
19	Rear brake cam	L	L	L	L	L	L	L	L	L	
20	Steering ball races / play adjustment		A	L	A	L	A	L	A	L	
21	Spokes tightness & Wheel rim run out front / rear	I	I	I	I	I	I	I	I	I	
22	Rear wheel cush rubbers					I&R				I&R	
23	Wheel bearing play					I				I	
24	Swing arm bearing	LUBRICATION AT EACH SERVICE									
25	Tyre wear front / rear			I		I		I		I	

Sr. No.	Description	Service									
		Whichever is Earlier									
		Month	1st	2nd	3rd	4th	5th	6th	7th	8th	9th
Km	1000	3000	6000	9000	12000	15000	18000	21000	24000		
26	Brake oil level check /replacement	INSPECT IN EACH SERVICE R= AT 12000 KM									
27	Brake pad wear & disk wear	I	I	I	I	I	I	I	I	I	
28	Brake light switch	I	I	I	I	I	I	I	I	I	
29	Check al cables for damage / Sharp bend / routing	I	I	I	I	I	I	I	I	I	
30	Side stand & main stand operation	I	I	I	I	I	I	I	I	I	
31	Pivot-side stand, center stand, Pillion foot rest	L	L	L	L	L	L	L	L	L	
32	Suspension opertion	I	I	I	I	I	I	I	I	I	
33	Fuel tank	I	I	I	I	I	I	I	I	I	
34	Nut, bolts, fasteners	I	I	I	I	I	I	I	I	I	
35	All electrical functions	I	I	I	I	I	I	I	I	I	
36	Leakage from Brake hose coolant pipes / Fuel tubes	I	I	I	I	I	I	I	I	I	

A: Adjust C: Clean I: Inspect L: Lubricate R: Replace

Note:

1. Please repeat the maintenance schedule after 24,000 Kms with the same frequency specified above in consultation with a UM Authonsed Dealer Service Point.
2. Use UM Genuine Oil Renegade Ignitor SAE 10W 40 while replacing engine oil. Recommended drain period is 3000 km
3. Periodical service Engine Oil Grade must be carried out at our Authonsed dealer only as they have required special tools/expertise & Lubricants.

TRUBLE SHOOTING

Vehicle not starting (does not crank)

• POSSIBLE CAUSES	• ACTIONS TO BE TAKEN
Ignition switch in "OFF" position	Switch on ignition
Kill switch in "OFF" position	Push stop switch to "ON" position
Jet clogged in fuel tank cap	Clean vent hole
Head damaged	Replace HT Lead
Spark plug cap /lead not connected	connect the lead firmly
Spark plug loose	Tighten spark Plug
Gap of spark plug	If electrode dirty/ fouled-Clean & reset gap, Check & replace, if necessary
Starter motor not working	If Spark plug insulation cracked - Replace spark plug
Starter motor not working & Battery not fully charged	Check and replace if faulty
Blocked fuel line/pipe	Check & replace, if necessary
Clutch slipping	Clean the fuel line/pipe
Wiring connection and/or Starter relay not working	Adjust clutch cable free play
Malfunctioning of clutch/ starter switch and battery discharge	Check & replace, if necessary
	Check & replace, if necessary

Fuel consumption

• POSSIBLE CAUSES	• ACTIONS TO BE TAKEN
Under inflated tyres	Inflate to correct pressure
Oil leakage	Check & adjust as per service manual
Water system leakage	Check & rectify
	Clean / replace

TRUBLE SHOOTING

Clutch Cable free play excessive & clutch slipping	Adjust cable free play
Brakes adjusted too tight	Re-adjust properly
Worn out Cyl-Piston parts	Change service limit exceeded parts

3. Vehicle cranks but does not start (Engine Misfiring)

• POSSIBLE CAUSES	• ACTIONS TO BE TAKEN
Water in petrol tank/ Fuel Line	Clean throttle body/Petrol tank, Fill the tank with fresh fuel
Loose/Leak through intake hose/line	Tighten rubber hose/line suitably, Replace if necessary
Loose spark plug	Fix cap/lead firmly
Spark plug fouled /insulation broken	Clean/reset gap or replace
Loose Connection in Ignition coil & suppressor cap	Ensure the all the connections

4. Engine lacks power

• POSSIBLE CAUSES	• ACTIONS TO BE TAKEN
Faulty fuel supply	Clean the fuel line /pipes/vent holes
Clutch Cable free play excessive & clutch slipping	Adjust cable free play
Accelerator cable free play excessive	Adjust cable free play
Air filter	Clean/Replace air filter
Rear chain adjusted too tight	Re-adjust properly
Brakes adjusted too tight	Re-adjust properly
Under inflated tyres	Inflate to correct Tyre pressure as recommended

TROUBLE SHOOTING

5. Engine overheating

• POSSIBLE CAUSES	• ACTIONS TO BE TAKEN
Transmission clutch slipping	Check & correct
Suction/Intake Syatem/parts leakage	Check & correct
Incorrect Fueling & Ignition Timing adjustments	Check & correct
Cylinder fins/ casting not clean/ clogged with mud, dirt	Clean the cylinder fins/ casting area
Silencer/ Exhaust System/ Parts leakage	Check & correct
Incorrect alarm connection and overheating sound warns	Check & correct
Cooling System/ Parts leakage	Check & correct

6. Starter motor doesnot work

• POSSIBLE CAUSES	• ACTIONS TO BE TAKEN
Ignition Key is OFF	Keep ignition key In ON condition
Kill switch OFF	Keep Kill switch in ON condition
Battery discharge	It should be more than 12.4 v, Charge if required
Fuse blown	Replace if found blown
Loose connection	Ensure the all the connectors are firmly connected to the wiring
Wiring hareness defective	Check the continuity of wiring harness starting circuit
Starter switch not working	Check the continuity
Starter relay is defective	Check the starter relay operation

7. Starter motor operates but engine doesn't starts

• POSSIBLE CAUSES	• ACTIONS TO BE TAKEN
Check engine clutch	Check & rectify
check engine starter gear	Check & rectify
Ignition system defective	Check spark by removing spark plug, If no spark then check Ignition Circuit
Spark plug gap adjustment	Ensure the proper gap in spark plug

TROUBLE SHOOTING

8. Starter motor struggles to crank

• POSSIBLE CAUSES	• ACTIONS TO BE TAKEN
Battery discharge/ weak	Ensure the Battery voltage is more than 12.4 volt
Battery not fully charged	During cranking it should not be below 6 volt
Loose connection	Ensure the all the connectors are firmly connected with wiring
Malfunctioning of starter switch	Check & replace
Starter relay not working	Check & replace
Starter Motor defective	Check starter motor for any obstruction

9. Horn not working Horn sound not proper

• POSSIBLE CAUSES	• ACTIONS TO BE TAKEN
Ignition Key is OFF	Keep Ignition Key in ON condition
Battery discharge	It should be more than 12.4 volt, Charge if required
Loose connection	Ensure all the connectors are connected with wiring
Fuse Blown	Replace if found blown
Incorrect screw adjustment	Set the horn by adjusting screw

10. No Fuel Indication/ Improper fuel

• POSSIBLE CAUSES	• ACTIONS TO BE TAKEN
Ignition Key is OFF	Keep Ignition Key in ON condition
Loose Connection	It should be more than 12.4 volt, charge if required
Fuel sensor defective	Ensure the all the connectors are connected with the wiring
Battery discharge	Check the resistance of Fuel level sensor, replaced if found faulty

TROUBLE SHOOTING

11. Battery is getting discharged

• POSSIBLE CAUSES

Fuse Blown

Loose connection/ dust/ accumulation on negative terminal

Battery defective

Regulator unit defective/ low output voltage

Magneto coil defective

Magneto coil short with ground

• ACTIONS TO BE TAKEN

Repalce if found blown

Remove, clean and then connect Negative/ Earth terminal again

Check the battery charging

Crank the engine and check for regulator output voltage: >14V 2000RPM

Confirm the magneto of coil resistances are within specifications, repalce if required

Confirm that there is no short circuit between ground and phases of coil

12. Engine Overheat

• POSSIBLE CAUSES

Radiator Fan faulty

Reverse direction of fan

Low coolant

Coolant pump not working

Thermostat not working

• ACTIONS TO BE TAKEN

Check for fan operation through diagnostic tool

Check Fan

Check the coolant level

Ensure the operation of coolant pump

Ensure the thermostat operation

13. Vehicle getting off in running (Engine Starts, But runs Irregularly & Stop/stall)

• POSSIBLE CAUSES

Faulty fuel supply

Transmission Clutch slipping

Suction/ Intake System/ parts leakage

• ACTIONS TO BE TAKEN

Clean the fuel line/ tap/ vent hole⁴

Check and correct

Check and correct

TROUBLE SHOOTING

Incorrect Fueling & Ignition, Timing adjustments

Silencer/ Exhaust System/ parts leakage

Cooling System/ Parts leakage/ blockage

Check and correct

Check and correct

Check and correct

14. Lights are not illuminating

• POSSIBLE CAUSES

Ignition key is off

Battery discharge

Fuse Blown

Control switch not working

Bulb/LED fused

Loose connection

wiring harness defective

• ACTIONS TO BE TAKEN

Keep ignition key in ON condition

It should be more than 12.4 volt, charge if required

Replace if found blown

check the continuity

Replace if fused

Ensure all the connectors are firmly connected with wiring

Check the continuity of lighting the circuit in wiring harness

15. Head Lamp illumination not proper

• POSSIBLE CAUSES

Headlight setting disturbed

Reflector dirty/damaged

Battery discharge

Regulator output voltage is low for discharge

• ACTIONS TO BE TAKEN

Follow the SOP for headlamp setting

Check for any damage or dark spots inside headlamp, reflector area, replace if required

It should be more than 12.4 volt, charge if required

Check the RR unit output voltage i.e, > 13.5 V, Replace if found Faulty

16. Gear shifting hard

• POSSIBLE CAUSES

Gear shift rod position incorrect

Excess play in clutch lever

Clutch plates wornout

• ACTIONS TO BE TAKEN

90 degree setting of gear shift rod

Clutch lever to be adjusted

Replace clutch plates

TROUBLE SHOOTING

17. Brakes poor

• POSSIBLE CAUSES	• ACTIONS TO BE TAKEN
Not adjusted properly	Adjust properly
Oil/ Grease on lining or drum or disc	Clean and re-fit
Linings worn/ uneven wear	Replace linings
Drum scored/ uneven wear	Rectify or replace drums

18. Vehicle wobbles

• POSSIBLE CAUSES	• ACTIONS TO BE TAKEN
Wheel rim runout	Rectify
Loose/ broken spokes	Tighten/ Replace spokes
Tyres not fitted correctly	Re-fit tyres correctly
Wheels misaligned	Ensure proper alignment
Under inflated tyres	Inflate to correct pressure

19. Trafficators not working

• POSSIBLE CAUSES	• ACTIONS TO BE TAKEN
Loose/ improper connections	Check and correct
Bulb fused	Replace
Switch defective	Replace
Flasher defective	Replace

20. Brake light remains on

• POSSIBLE CAUSES	• ACTIONS TO BE TAKEN
Switch not adjusted properly	Adjust switch properly
Switch sticky	Replace switch
Brake setting improper	Check & correct

RECOMMENDATIONS

- Always remember to check oil level... and do not exceed recommended level.
- Be careful with non-recommended additive usage.
- Always use recommended oil ratings or higher.
- Change oil every 3000 km. ⚠
- Change fuel filter every 3000 km and fuel pump filter every 10000 kms ⚠
- Do not wash motorcycle when engine is HOT. Be careful with electrical parts, and avoid using high pressure washers.
- Do not puncture or make holes in the air box.
- Replace air filter based on maintenance table recommendations.
- Do not remove spark plug while engine is HOT.
- Do not use non-recommended spark plugs, or spark plugs in poor condition.
- Do not overload battery and charging system by adding too many electrical accessories.
- Be careful when filling fuel tank for water not to get in.
- When washing motorcycle, avoid getting water in fuel tank, electrical system, exhaust and air filter.
- Replace tires when service limit is achieved.
- Always check tire pressure.

WARRANTY POLICY

► UM offers high quality products with excellent guarantee coverage, in a responsible and efficient way. We strive to ensure that our customers receive constant support and satisfactory after sales service from all our distributors. To obtain more information about our guarantee, contact your nearest UM dealer.

- The general exclusions of this warranty shall include any damage caused by
- Accident
 - Use of the motorcycle in different conditions than the one it was designed for.
 - Use of spare parts, lubricants/coolants or supplies not approved by UM and most of the cases described in the owners manual.
 - Changes in motorcycle systems, technical modifications, modifying or repairing parts and the tempering of their controls.
 - Motorcycles used in any competition or engaged in renting, or which are disassembled.
 - Motorcycles used as a taxi service.
 - Damage caused intentionally or by external uncontrollable and/or cases considered as incidental.
 - Small failures not considered quality defects and that do not affect the normal performance of the motorcycle.

WARRANTY REGISTRATION FORM

OWNERSHIP & VECHICAL INFORMATION



Customer Name : _____ Pin Code : _____
Address : _____ State : _____ Country : _____
City : _____ E-mail : _____
Mobile Number : _____ Model : _____
Frame No : _____ Color : _____
Engine No : _____
Battery Make : _____ Battery Sr. No/Code : _____
Tire Make : _____ Tire No : _____
Date of Sale : _____ KM : _____ Key No : _____
Dealer Name : _____
Location : _____ Code No : _____
Reg No : _____ Contact No : _____

The UM dealers are required to register the sale of the motorcycle with up to date information regarding the original owner, in order to activate the Warranty. If the owner of the vehicle has changed, please submit an "Owner Registration" form via fax or regular mail. This information is necessary for notification, in case your motorcycle is affected by a service bulletin or campaign.

Dealer Name & Address, Stamp

1) Customer Copy :

Customer Signature