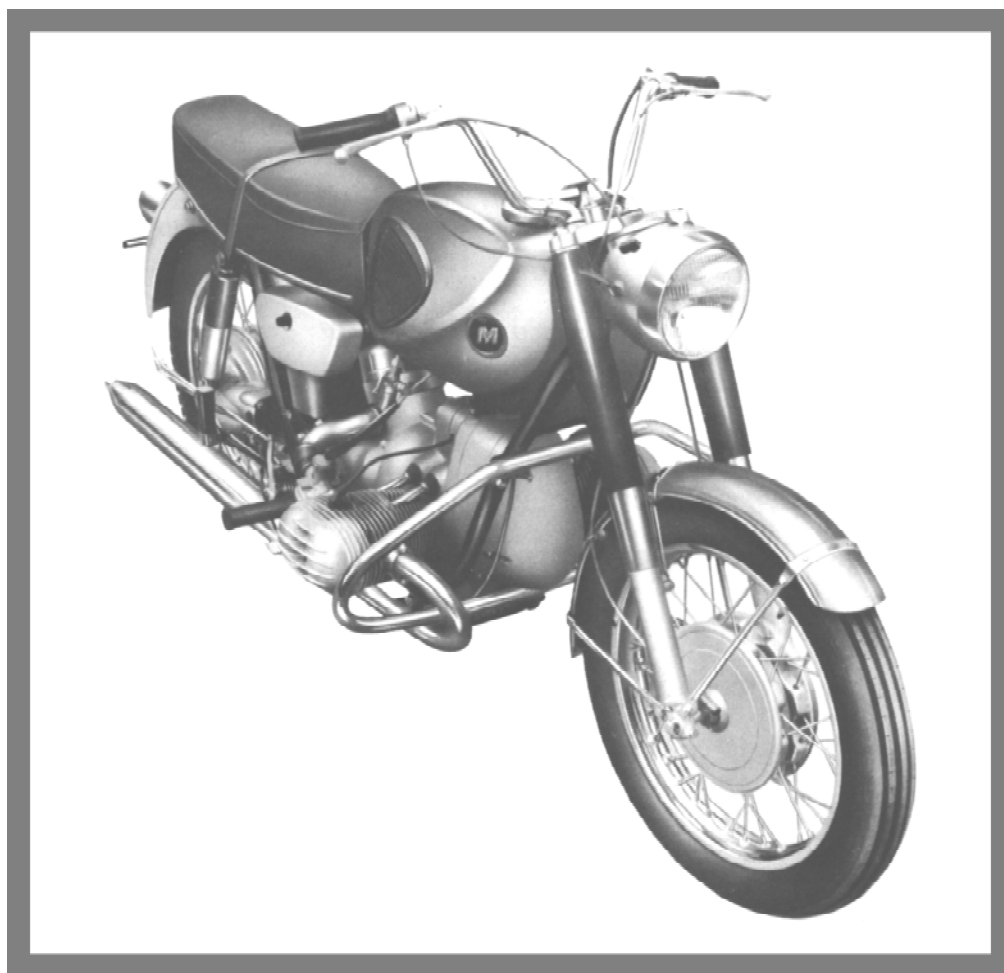


# MAGNUM 500 TYPE

## PARTS CATALOGUE



**U.S. MARUSHO CORP**

8588 WASHINGTON BLVD.  
CULVER CITY, CALIFORNIA



# CONTENTS

## CHASSIS

• FRAME .....	1
• BEVEL CASE & REAR FORK .....	2
• FRONT FORK .....	4
• WHEEL.....	6
• BRAKE & STAND.....	8
• REAR CUSHION & HANDLE .....	10
• CHASSIS ELECTRICITY .....	12
• EQUIPAGE (1) .....	14
• EQUIPAGE (2) .....	16

## ENGINE

• CRANK CASE .....	18
• CRANK SHAFT & CAM SHAFT .....	20
• CLUTCH .....	22
• CYLINDER & CYLINDER HEAD .....	23
• TRANSMISSION .....	25
• CARBURETTER & AIR CLEANER .....	28
• ENGINE'S ELECTRICITY .....	29

# TECHNICAL SPECIFICATIONS

## MARUSHO MAGNUM 500 TYPE

### ENGINE

Type	4 Stroke Opposit Crank O.H.V
Bore & Stroke	68mm x 68mm
Displacement	493 cc
Compression ratio	9.6 : 1
Hhp & rpm	40 at 7,000
Carburettor	(2) MIKUNI VM28
Oil System	wet sump, gear pump
Oil Capacity	2.2

### POWER TRANSMISSION

Clutch type	Single dry plate
Primary drive	Direct
Final drive	Shaft & Spiral bevel gears
Transmission	Forward 4-Speed Constant mesh
Gear ratio(Overall 1:1)	4th 5.12
	3rd 6.73
	2nd 8.95
	1st 13.8

### ELECTRICAL SYSTEM

Ignition	Battery & coil
Ignition timing	5° BTDC (30° at full advance)
Breaker point gap	0.3mm - 0.4mm
Spark plug	NGK BC 64EW
Spark plug gap	0.6mm - 0.7mm
Battery	MDN-3-12

### VEHICLE & CHASSIS

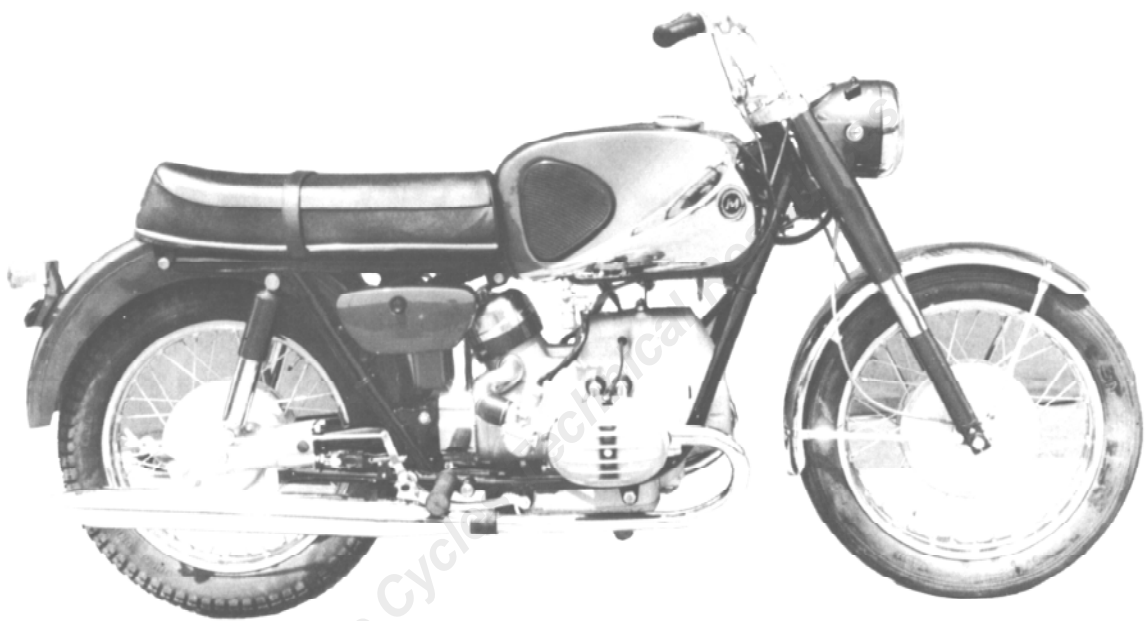
Overall length	2105 mm
Overall width	756 mm
Overall height	995 mm
Wheel base	1400 mm
Ground clearance	130 mm
Caster	63°
Trail	93 mm
Gross weight	198 kg
Suspension (front)	telescopic fork
Suspension (rear)	swing arm
Tire size (front)	3.25-18
Tire size (rear)	3.50-18
Tire pressure (front)	2.0 kg/cm <sup>2</sup>
Tire pressure (rear)	2.2 kg/cm <sup>2</sup>
Fuel tank capacity	15.2

### BULBS

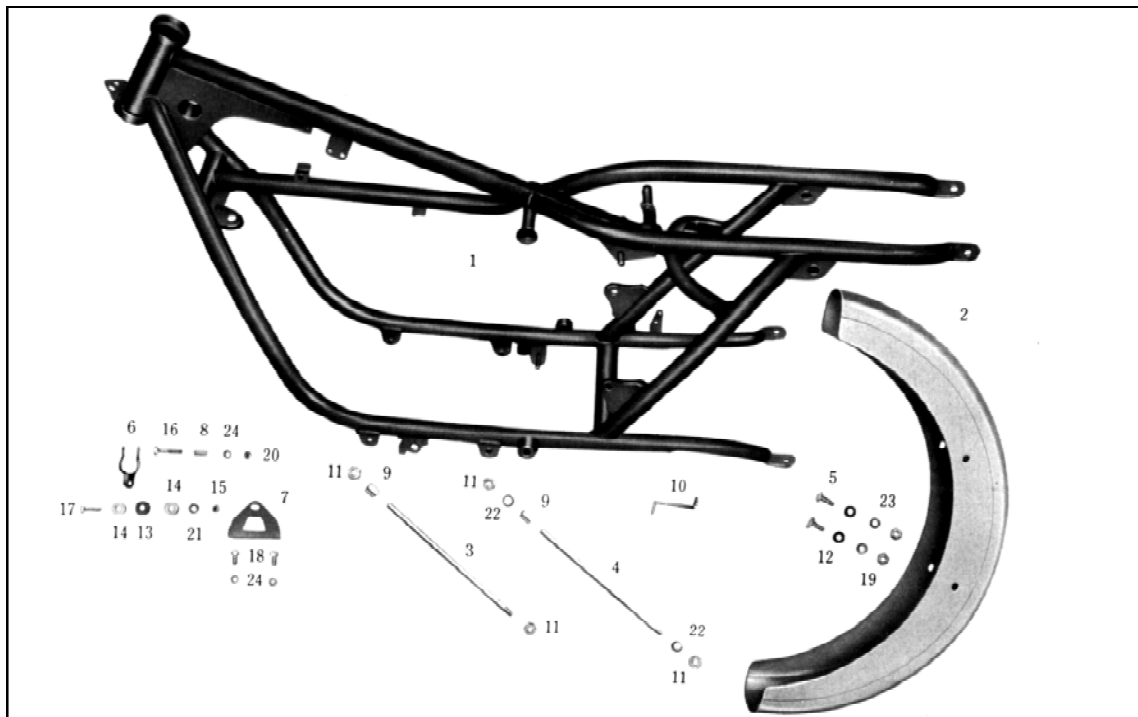
Head lamp	12V 35/25W
Tail lamp	12V 8W
Stop lamp	12V 25W
Speedometer lamp	12V 3W
Pilot lamp	12V 3W

### ABILITY

Max top speed	100 MPH
Climing ability	24°30'
Fuel consumption	40 km/l at 60 km/h

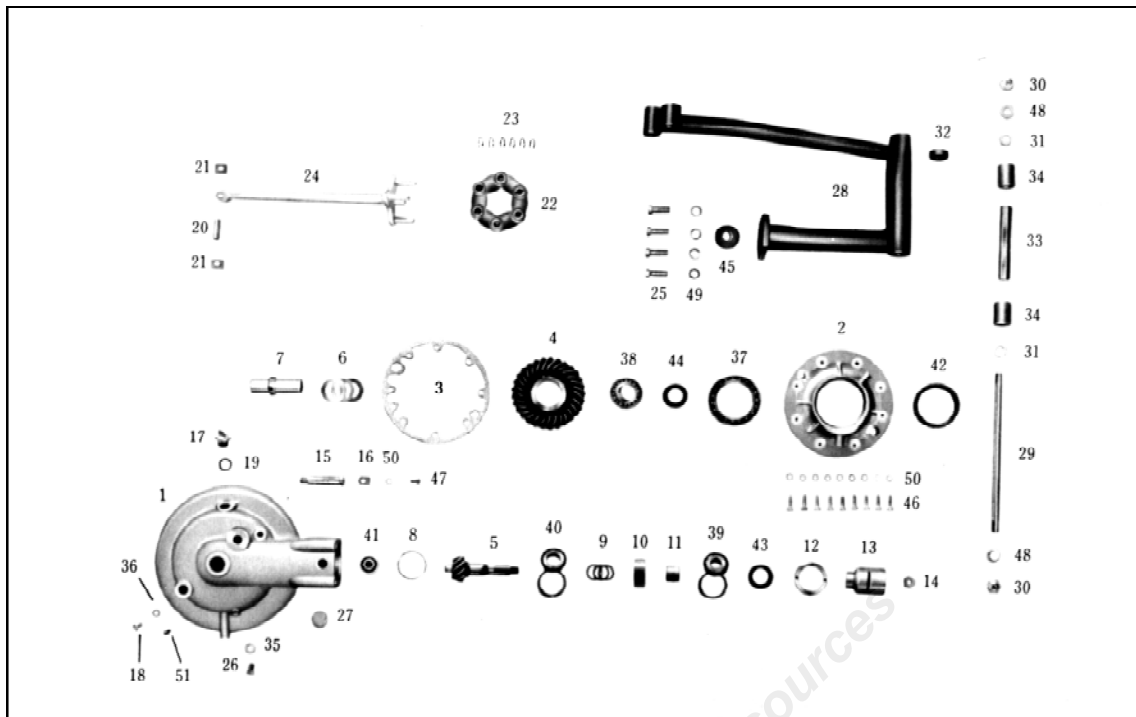


**OPPOSED TWIN ENGINE  
SHAFT DRIVE**



### FRAME RELATIONS

Ref. No.	Part No.	Part Name	Qty Req'd	Comment
1	Fx-900	Frame Bolt Complete	1	
2	150	Rear Fender Complete	1	
3	151A	Engine Tighten Bolt Front	1	
4	151B	Engine Tighten Bolt Rear	1	
5	152	Rear Fender Tighten Bolt	2	F <sub>2</sub>
6	153	Engine Hanger	1	
7	154	Engine Hanger Plate	1	
8	155	Engine Hanger Collar	1	
9	156	Engine Tighten Collar	2	
10	157	Clutch Wire Support	1	
11	158	Engine Tighten Nut	4	
12	159	Rear Fender Tighten Washer	2	F <sub>2</sub>
13	160	Engine Buffer Rubber	1	
14	161	Engine Hanger Washer	2	
15	162	Self-Locking Nut	1	
16		Hexagon Head Bolt 8x45	1	
17		Hexagon Head Bolt 8x30	1	
18		Hexagon Head Bolt 8x20	2	
19		Hexagon Nut M10	2	
20		Hexagon Nut M8	3	
21		Flat Washer 8#	1	
22		Spring Washer 12#	4	

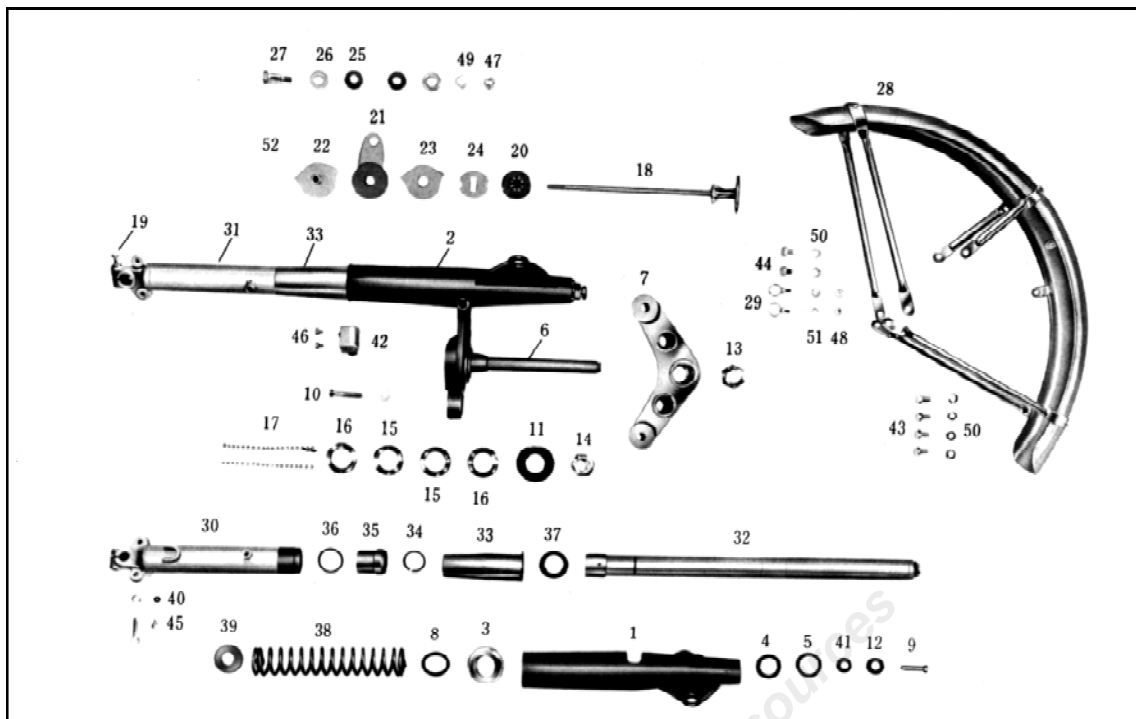


### BEVEL CASE & REAR FORK RELATIONS (1)

Ref.No.	Part.No.	Part Name	Qty Req'd	Common
1	600	Bevel Case	1	
2	601	Bevel Case Panel	1	
3	602	Bevel Case Parking	1	F <sub>1</sub>
4	603	Spiral Bevel Gear	1	
5	604	Spiral Pinion Gear	1	
6	605	Bevel Gear Adjust Shim	1	Properly F <sub>1</sub>
7	606	Bevel Gear Shaft	1	F <sub>2</sub>
8	607	Pinion Gear Adjust Shim (A)	1	Properly F <sub>1</sub>
9	608	Pinion Gear Adjust Shim (B)	1	Properly F <sub>1</sub>
10	609	Pinion Gear Bearing Outer Collar	1	F <sub>1</sub>
11	610	Pinion Gear Bearing Inner Collar	1	F <sub>1</sub>
12	611	Bearing Check	1	F <sub>1</sub>
13	612	Joint Yoke	1	F <sub>1</sub>
14	613	Pinion Gear Tighten Nut	1	F <sub>1</sub>
15	614	Suspension Tighten Bolt	1	F <sub>1</sub>
16	615	Suspension Tighten Bolt Lock Plate	1	F <sub>1</sub>
17	616	Oil Cock	1	F <sub>1</sub>
18	617	Oil Level Bolt	1	F <sub>1</sub>
19	618	Oil Cock "O" Ring	1	F <sub>1</sub>
20	621	Joint Pin	1	F <sub>1</sub>

## BEVEL CASE & REAR FORK RELATIONS (2)

Ref. No.	Part No.	Part Name	Qty Req'd	Common
21	Fx-622	Joint Metal	2	F <sub>1</sub>
22	623	Joint Hubber	1	F <sub>1</sub>
23	624	Joint Hubber Knock Ring	6	F <sub>1</sub>
24	625	Propeller Shaft Complete	1	
25	626	Bevel Case Tighten Bolt	4	F <sub>2</sub>
26	627	Oil Drain Bolt	1	F <sub>1</sub>
27	628	15φ Rubber Plug	1	F <sub>1</sub>
28	630	Rear Fork Complete	1	
29	638	Front Shaft	1	F <sub>2</sub>
30	639	Front Nut	2	F <sub>1</sub>
31	640	Pivot Washer	2	F <sub>1</sub>
32	641	Rear Fork Hubber Plug	1	F <sub>1</sub>
33	642	Rear Fork Pivot Collar	1	F <sub>2</sub>
34	643	Rear Fork Hubber Bushing	2	F <sub>1</sub>
35		Aluminium Washer 5φ	1	
36		Aluminium Washer 6φ	1	
37		Bearing 603C1285	1	
38		Bearing 4205	1	
39		Bearing 30303	1	
40		Bearing 30204	1	
41		Bearing 6201	1	
42		Oil Seal 607510	1	
43		Oil Seal 27408	1	
44		Oil Seal 25409	1	
45		Oil Seal 153810	1	
46		Hexagon Head Bolt 6×20	8	
47		Hexagon Head Bolt 6×10	1	
48		Spring Washer 12φ	2	
49		Spring Washer 10φ	1	
50		Toothed Lock Washer 6φ	9	
51		Grease Nip + Direct Tyre Valve	1	



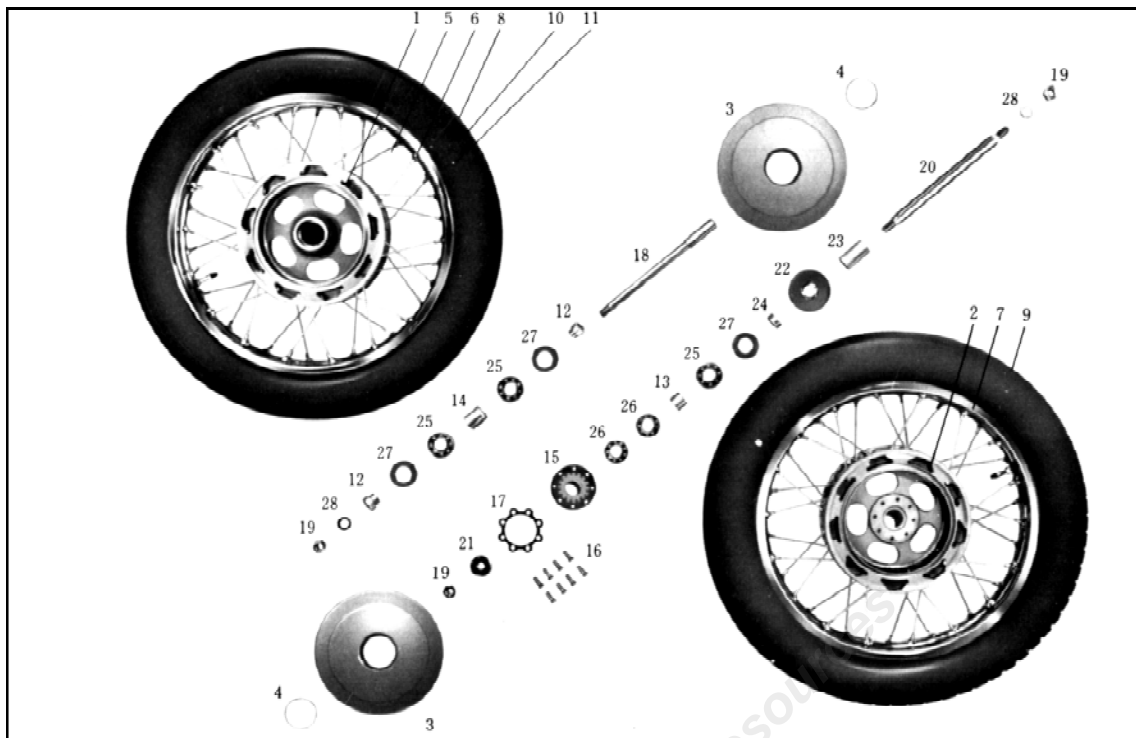
FRONT FORK RELATIONS (1)

Ref. No.	Part No.	Part Name	Qty	Reg'd	Compan
1	202	Fork Cover Complete Left	1		F <sub>1</sub>
2	203	Fork Cover Complete Right	1		F <sub>1</sub>
3	204	Fork Crown Bolt	2		F <sub>1</sub>
4	205	Fork Cover Bush Balls	2		F <sub>1</sub>
5	206	Fork Cover Cap	2		F <sub>1</sub>
6	207	Fork Crown Complete	1		F <sub>2</sub>
7	209	Dash Plate	1		F <sub>1</sub>
8	210	Fork Spring Seat Upper	2		F <sub>2</sub>
9	211	Fork Tighten Nut	2		F <sub>1</sub>
10	213	Fork Crown Tighten Bolt	2		F <sub>1</sub>
11	214	Head Cap for Dust Deflate	1		F <sub>2</sub>
12	215	Dash Plate Tighten Washer	2		F <sub>2</sub>
13	216	Dash Plate Tighten Nut	1		F <sub>1</sub>
14	217	Head Nut	1		F <sub>1</sub>
15	218	Head Circular Metal	2		F <sub>1</sub>
16	219	Head Circular Metal Check	2		F <sub>1</sub>
17	220	1/4" Steel Ball	38		F <sub>1</sub>
18	221	Steering Damper Adjuster Complete	1		F <sub>2</sub>
19	223	Small Messing Head Bolt	2		F <sub>1</sub>
20	224	Friction Adjuster Complete	1		F <sub>1</sub>



## FRONT FORK RELATIONS (2)

Ref. No.	Part. No.	Part Name	Qty.	Req'd	Common
21	Fx-227	Friction Damper Complete	1		F <sub>1</sub>
22	230	Friction Plate Under	1		F <sub>1</sub>
23	233	Friction Plate Upper	1		F <sub>1</sub>
24	234	Friction Adjuster Lock	1		F <sub>1</sub>
25	235	Steering Damp Bulb	2		F <sub>2</sub>
26	236	Damp Bulb Top	2		F <sub>2</sub>
27	237	Friction Plate Tighten Bolt	1		F <sub>1</sub>
28	240	Front Fender Complete	1		F <sub>1</sub>
29	241	Cable Bulb	2		F <sub>2</sub>
30	246A	Outer Tube Complete Left	1		F <sub>1</sub>
31	246B	Outer Tube Complete Right	1		F <sub>1</sub>
32	247	Inner Tube Complete	2		F <sub>1</sub>
33	250	Outer Tube Nut	2		F <sub>1</sub>
34	260	Soap Bag	2		F <sub>1</sub>
35	261	Slide Metal	2		F <sub>2</sub>
36	262	"O" Ring 34.5x43.6x3#	2		F <sub>2</sub>
37	263	Oil Seal 324412	2		F <sub>1</sub>
38	252	Fork Spring	2		
39	256	Fork Spring Seat Under	2		F <sub>1</sub>
40	257	Rubber Packing 5#	2		F <sub>1</sub>
41	253	"O" Ring Packing	2		F <sub>1</sub>
42	949	Handle Lock Complete	1		
43		Hexagon Head Bolt 8x15	1		
44		Hexagon Head Bolt 8x12	2		
45		Cylinder Head Screw 6x10	2		
46		Flush Head Screw 6x10	2		
47		Hexagon Nut M10	1		
48		Hexagon Nut M6	2		
49		Spring Washer 10#	1		
50		Spring Washer 8#	10		
51		Spring Washer 6#	2		
52		Copper Wire 2#x15	1		

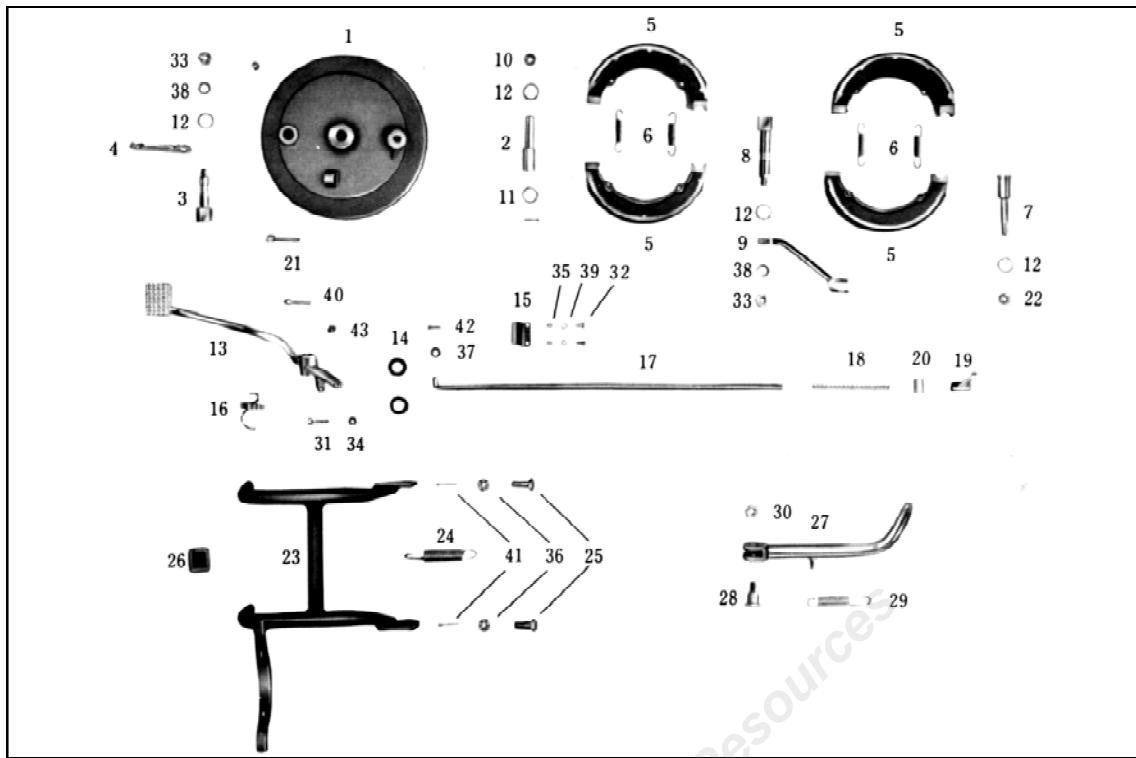


WHEEL RELATIONS (1)

Ref. No.	Part No.	Part Name	Qty. Req'd	Common
1	500	Front Hub Drum	1	
2	501	Rear Hub Drum	1	
3	502	Drum Cover	2	F <sub>2</sub>
4	503	Drum Cover Knock Ring	2	F <sub>1</sub>
5	504	Spoke 9-127 With Seat and Nipple	72	
6	507	Front Rim 1.85H-18	1	
7	508	Rear Rim 1.85H-18	1	F <sub>1</sub>
8	509	Front Tire 3.25-18-4P	1	
9	510	Rear Tire 3.50-18-4P	1	
10	511	Flap 3 25/3.50-18	2	
11	512	Flap	2	
12	513	Outer Collar (Front)	2	F <sub>2</sub>
13	514	Inner Collar (Rear)	1	
14	515	Inner Collar (Front)	1	
15	516	Wheel Clutch Gear	1	F <sub>2</sub>
16	517	Clutch Gear Tighten Bolt	8	F <sub>1</sub>
17	518	Clutch Gear Knock Washer	1	F <sub>2</sub>
18	519	Front Shaft	1	F <sub>2</sub>
19	520	Chain Nut	3	F <sub>2</sub>
20	521	Rear Shaft	1	

## WHEEL RELATIONS (2)

Ref. No.	Part No.	Part Name	Qty. Req'd	Common
21	Fr-522	Rear Shaft Washer	1	F <sub>1</sub>
22	523	Rear Hub Cap	1	
23	524	Rear Shaft Collar	1	
24	525	Outer Collar (Rear)	1	
25		Bearing 6204	3	
26		Bearing 6004	2	
27		Oil Seal 28477	3	

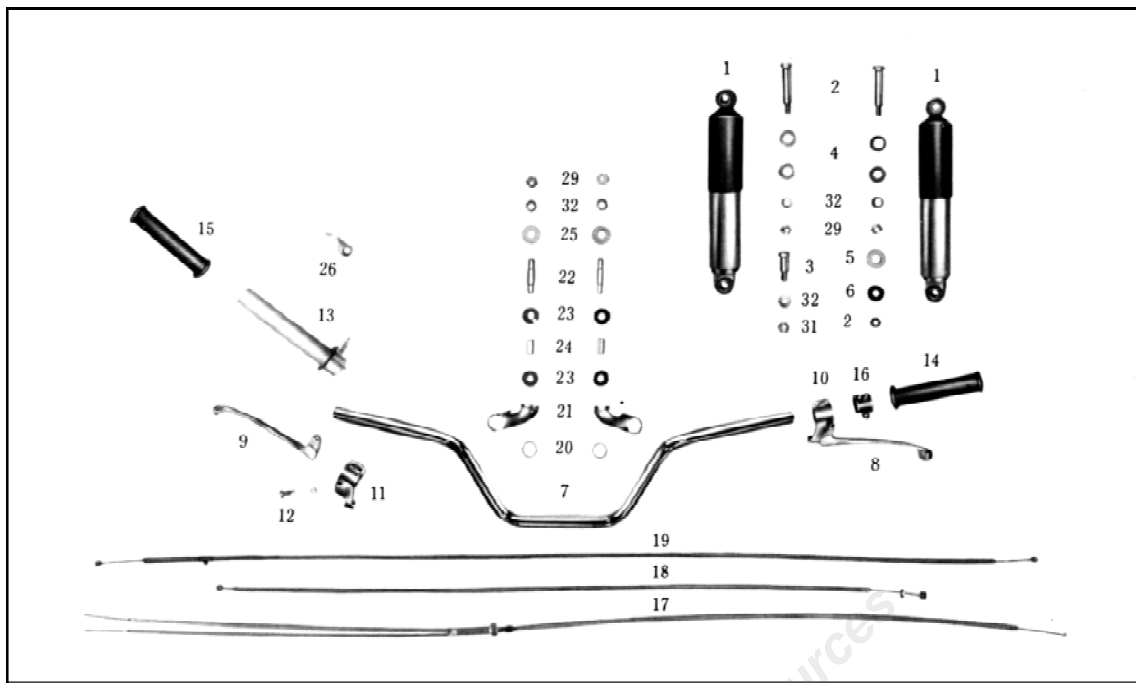


### BRAKE & STAND RELATIONS (1)

Ref. No.	Part No.	Part Name	Qty. Req'd	Common
1	F-700	Front Brake Plate	1	
2	701	Front Pivot Pin	1	F <sub>1</sub>
3	702	Front Brake Cam	1	F <sub>1</sub>
4	703	Front Brake Arm	1	F <sub>1</sub>
5	704	Brake Shoe Complete	4	F <sub>1</sub>
6	705	Brake Shoe Spring	4	F <sub>1</sub>
7	706	Rear Pivot Pin	1	F <sub>1</sub>
8	707	Rear Brake Cam	1	F <sub>1</sub>
9	708	Rear Brake Arm	1	F <sub>1</sub>
10	709	Front Panel Stopper	1	F
11	710	Front Brake Shoe Washer	1	F <sub>1</sub>
12	711	Brake Shoe Spacer	4	F <sub>1</sub>
13	713	Brake Pedal	1	F <sub>1</sub>
14	714	Brake Pedal Washer	2	F <sub>1</sub>
15	715	Brake Pedal Stopper	1	F <sub>1</sub>
16	716	Brake Pedal Spring	1	F <sub>1</sub>
17	717	Brake Rod	1	F <sub>1</sub>
18	718	Brake Rod Spring	1	F <sub>1</sub>
19	720	Rear Brake Adjust Nut	1	F <sub>1</sub>
20	721	Brake Rod Joint	1	F <sub>1</sub>

## BRAKE & STAND RELATIONS 123

Ref. No.	Part No.	Part Name	Qty. Req'd	Comments
21	F3-722	Front Brake Adjust Screw	1	F <sub>1</sub>
22	723	Rear Front Pin Tighten Nut	1	F <sub>1</sub>
23	730	Main Stand Complete	1	
24	731	Main Stand Spring	1	F
25	732	Main Stand Tighten Bolt	2	F <sub>1</sub>
26	733	Main Stand Stop Rubber	1	F <sub>1</sub>
27	734	Side Stand	1	
28	735	Side Stand Tighten Bolt	1	F <sub>1</sub>
29	736	Side Stand Spring	1	F <sub>1</sub>
30	737	Side Stand Tighten Nut	1	F <sub>1</sub>
31		Hexagon Head Bolt 6 x 35	1	
32		Cylinder Head Screw 4 x 13	2	
33		Hexagon Nut M10	2	
34		Hexagon Nut M6	1	
35		Hexagon Nut M4	2	
36		Castle Nut M10	2	
37		Flat Washer 6#	1	
38		Spring Washer 10#	2	
39		Spring Washer 4#	2	
40		Cutter Pin 3# x 20	1	
41		Cutter Pin 2# x 20	3	
42		Cutter Pin 2# x 10	1	
43		Grease Nipple Direct Type 1/4"	2	

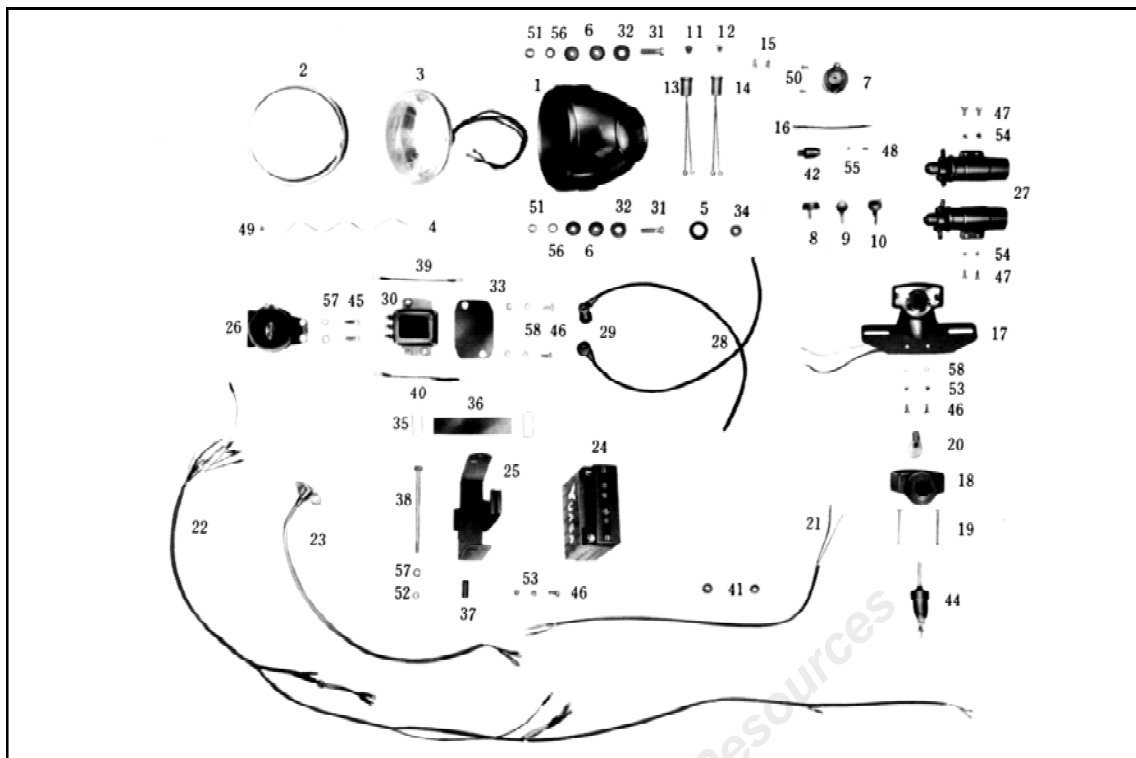


### REAR CUSHION & HANDLE RELATIONS (1)

Rel. No.	Part No.	Part Name	Qty. Req'd	Common
1	309	Rear Cushion Assy	2	F
2	301	Rear Cushion Bolt - Upper	2	F
3	302	Rear Cushion Bolt - Lower	1	F
4	303	Rear Cushion Washer - A	4	F
5	304	Rear Cushion Washer - B	1	F
6	305	Rear Cushion Washer - C	1	F
7	400	Handle Bar	1	
8	422	Handle Lever - Left	1	
9	423	Handle Lever - Right	1	
10	403A	Lever Holder - Left	1	
11	403B	Lever Holder - Right	1	
12	427	Handle Lever Pivot Screw With Nut	2	
13	404	Accelerator Holder Assy	1	
14	407	Grip Rubber - Left	1	
15	408	Grip Rubber - Right	1	
16	424	Dimmer Switch Holder With Screws	1	
17	409	Throttle Wire Assy	1	
18	411	Front Brake Wire	1	
19	412	Clutch Wire	1	
20	413	Handle Collar	2	F

## REAR CUSHION & HANDLE RELATIONS (2)

Ref. No.	Part No.	Part Name	Qty Req'd	Comment
21	Fe-415	Handle Holder	2	F.
22	116	Handle Holder Tighten Steel Bolt	2	F.
23	417	Handle Holder Rubber	4	F.
24	418	Handle Holder Tighten Collar	2	F.
25	420	Handle Tighten washer	2	F.
26	421	Card Holder	1	F.
27		Hexagon Head Bolt 8-20	2	
28		Hexagon Head Bolt 6-25	4	
29		Hexagon Nut M10	5	
30		Hexagon Nut M6	4	
31		Hexagon Top Nut M10	1	
32		Spring Washer 10 $\frac{1}{2}$	5	
33		Spring Washer 8 $\frac{1}{2}$	2	
34		Spring Washer 6 $\phi$	4	



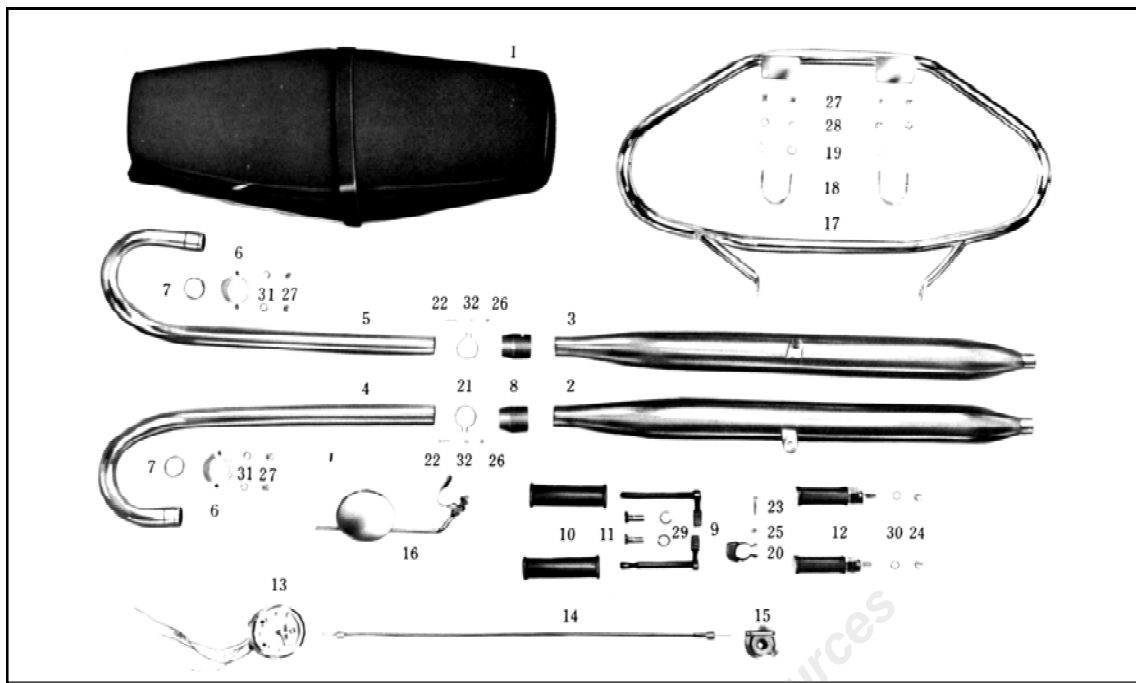
### CHASSIS'S ELECTRICITY RELATIONS (1)

Rel. No	Part No	Part Name	Qty Req'd	Comment
1	F <sub>1</sub> 801	Head Light Body	1	
2	802	Head Light Lens	1	F <sub>1</sub>
3	804	Head Light Horn Complete	1	
4	809	Head Light Beam Lock Spring	3	F <sub>1</sub>
5	H10	Corn Protect Rubber (A)	1	F <sub>1</sub>
6	H11	Head Light Buffer Rubber	4	F <sub>1</sub>
7	H12	Main Switch Complete	1	F <sub>1</sub>
8	H13	Musrat Key	1	F <sub>1</sub>
9	H14	Space Key	1	F <sub>1</sub>
10	H15	Handle Lock Key	2	
11	H17	High Beam Pilot Lens	1	
12	H18	3rd Pilot Lens	1	F <sub>1</sub>
13	H20	High Beam Pilot Bulb Socket	1	
14	H21	3rd Pilot Bulb Socket	1	F <sub>1</sub>
15	H22	Pilot Bulb	2	F <sub>1</sub>
16	H23	Main Switch Card	1	F <sub>1</sub>
17	H24	Tail Light Body Complete	1	
18	H25	Tail Light Lens	1	
19	H26	Lens Tighten Screw	2	
20	H27	Tail Lamp Bulb	1	



## CHASSIS ELECTRICITY RELATIONS (2)

Ref. No.	Part No.	Part Name	Qty. Req'd	Common
21	Fa-830	Tail Cord	1	
22	831	Main Wire Harness	1	
23	834	Dimmer Switch Assy	1	F <sub>1</sub>
24	835	Battery 12V-6A MB113-12A	1	
25	836	Battery Carrier	1	
26	838	Horn	1	F <sub>1</sub>
27	839	Ignition Coil	2	F <sub>1</sub>
28	840	Plug Cord	2	
29	841	Plug Cap (With Rubber)	2	F <sub>1</sub>
30	845	Voltage Regulator BN A2	1	F <sub>1</sub>
31	846	Head Light Body Tighten Bolt	2	
32	847	Head Light Body Tighten Washer	2	F <sub>1</sub>
33	848	Regulator Rubber	1	F <sub>1</sub>
34	849	Cord Protect Rubber (H)	1	F <sub>1</sub>
35	854	Battery Band Metal	2	F <sub>1</sub>
36	855	Battery Band	1	
37	856	Battery Tighten Collar	1	
38	857	Battery Tighten Bolt	1	
39	858	Battery Cord (L)	1	
40	859	Battery Cord (R)	1	
41	860	Cord Protect Rubber (S)	2	F <sub>1</sub>
42	861	Main Switch Cord Rubber	1	F <sub>1</sub>
43	862	High Beam Cord Connector Socket	1	
44	844	Stop Switch Complete	1	F <sub>1</sub>
45		Hexagon Head Bolt 8 x 20	2	
46		Hexagon Head Bolt 6 x 15	5	
47		Hexagon Head Bolt 5 x 15	4	
48		Cylinder Head Screw 4 x 10	1	
49		Oval Countersunk Head Screw 4 x 10	1	
50		Oval Countersunk Head Screw 3 x 8	2	
51		Hexagon Nut M10	2	
52		Hexagon Nut M8	1	
53		Hexagon Nut M6	5	
54		Hexagon Nut M5	4	
55		Hexagon Nut M4	1	
56		Spring Washer 10#	2	
57		Spring Washer 8#	3	
58		Spring Washer 6#	4	

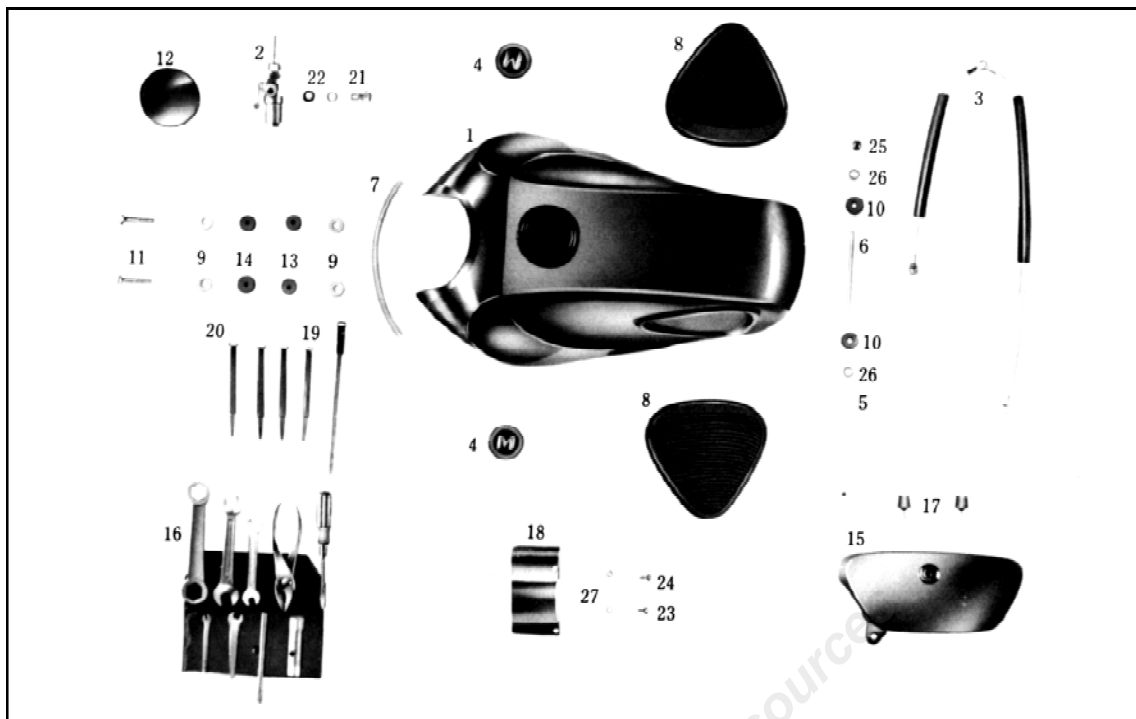


EQUIPAGE RELATIONS (Net) (1)

Ref No.	Part No.	Part Name	Qty Req'd	Common
1	F <sub>3</sub> 900	Dual Seat	1	
2	901	Muffler Complete (Left)	1	
3	902	Muffler Complete (Right)	1	
4	903	Exhaust Pipe (Left)	1	
5	904	Exhaust Pipe (Right)	1	
6	906	Back Net	2	F <sub>1</sub>
7	907	Exhaust Pipe Gasket	2	F <sub>3</sub>
8	908	Exhaust Pipe Joint Rubber	2	F <sub>3</sub>
9	909	Foot rest	2	F <sub>1</sub>
10	910	Foot-rest Rubber	2	F <sub>1</sub>
11	911	Foot-rest Tighten Bolt	2	F <sub>1</sub>
12	912	Hear Peg Assy	2	F <sub>1</sub>
13	931	Speedometer Assy	1	
14	932	Speedometer Cable Assy	1	
15	933	Speedometer Gear Box	1	F <sub>3</sub>
16	941	Back Mirror Assy	2	F <sub>1</sub>
17	942	Crash Bar	1	
18	943	Crash Bar U Bolt	2	
19	944	Crash Bar Flat Washer	4	
20	946	Kick Arm Strip Rubber	1	F <sub>1</sub>

## EQUIPAGE RELATIONS (No. 2)

Ref. No.	Part No.	Part Name	Qty. Req'd	Common
21	PC-946	Joint Rubber Clamp Ring	2	F
22		Cylinder Head Screw 4/20	2	
23		Gyal Countersunk Head Screw 5/35	1	
24		Hexagon Nut M10	2	
25		Hexagon Nut M5	1	
26		Hexagon Nut M4	2	
27		Cap Nut M5	8	
28		Flat Washer 8φ	4	
29		Spring Washer 14φ	2	
30		Spring Washer 10φ	2	
31		Spring Washer 8φ	4	
32		Spring Washer 4φ	2	

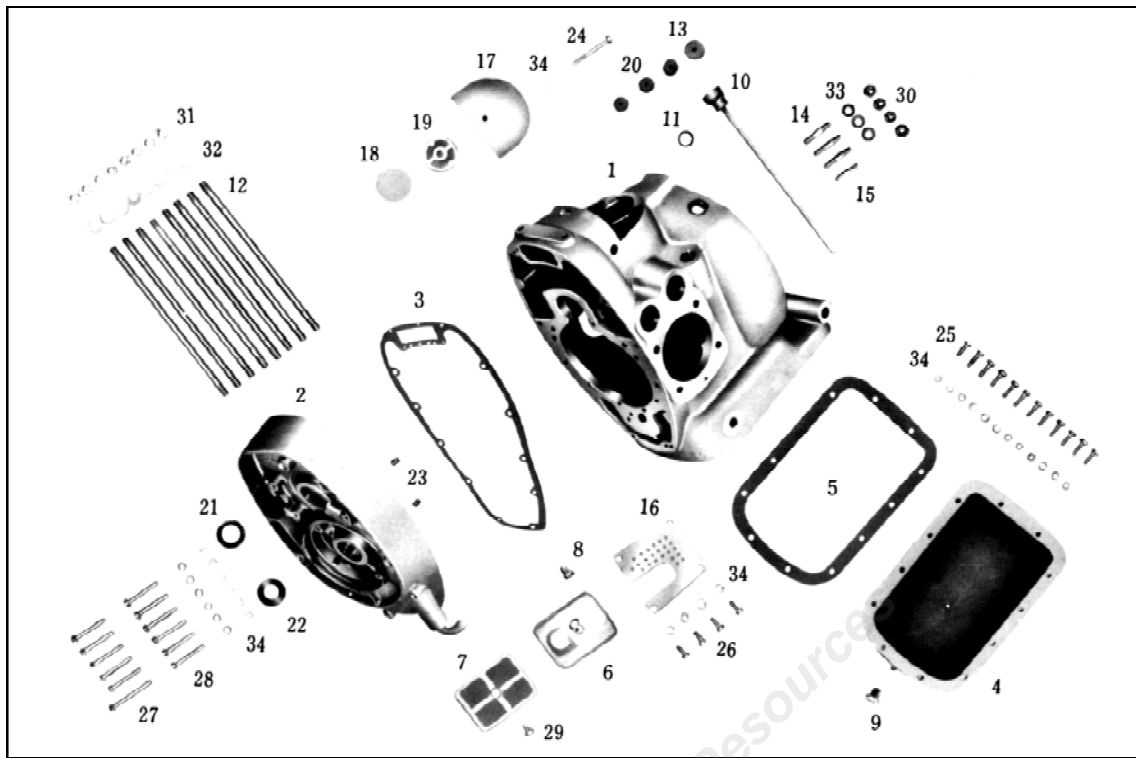


### EQUIPAGE RELATIONS (No21:1)

Ref No	Part No	Part Name	Qty	Unit	Common
1	F2-913	Fuel Tank Complete	1		F <sub>2</sub>
2	914	Fuel Cap Complete	1		F <sub>2</sub>
3	915	Fuel Pipe	1		
4	916	Tank Mark	2		
5	918	Tank Tighten Bolt Rear	1		F <sub>2</sub>
6	919	Tank Tighten Collar	1		F <sub>2</sub>
7	920	Fuel Tank Joint Pipe	1		F <sub>2</sub>
8	921	Knee Grip Rubber	2		F <sub>2</sub>
9	922	Tank Tighten Washer	4		F <sub>2</sub>
10	923	Tank Buffer Rubber Rear	2		F <sub>2</sub>
11	924	Tank Tighten Bolt Front	2		F <sub>2</sub>
12	925	Tank Cap	1		F <sub>2</sub>
13	927	Tank Buffer Rubber Upper	2		F <sub>2</sub>
14	929	Tank Buffer Rubber Under	2		F <sub>2</sub>
15	926	Tool Box	1		
16	935	Fuel Key	1		F <sub>2</sub>
17	945	Tool Box Key Screw	2		
18	934	Joint Cover	1		F <sub>2</sub>
19	936 A	Clamp Band A	1		F <sub>2</sub>
20	936 B	Clamp Band B	4		F <sub>2</sub>

## EQUIPAGE RELATIONS (No2) (2)

Ref.No.	Part.No.	Part Name	Qty Req'd	Comment
21	Fw-929	Eye Lock Upper Bolt	1	
22	930	Fiber Washer	2	
23		Hexagon Head Bolt 6 x 10	1	
24		Cylinder Head Screw 6 x 10	1	
25		Hexagon Nut M8	1	
26		Flat Washer 8#	2	
27		Spring Washer 6#	2	

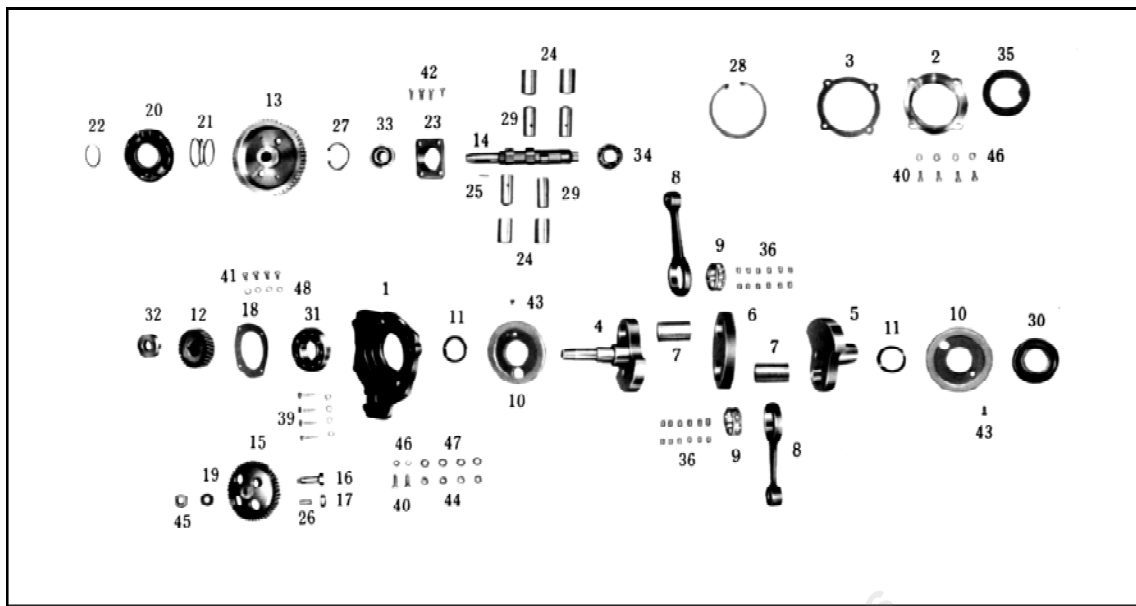


CRANK CASE RELATIONS (1)

Ref. No.	Part No.	Part Name	Qty Req'd	Comment
1	101	Crank Case Complete	1	
2	102	Front Panel	1	
3	104	Front Panel Parking	1	
4	131	Oil Case	1	
5	132	Oil Case Pack	1	
6	132	Oil Filter Cap	1	
7	132	Oil Filter	1	
8	176	Special Union Bolt	1	
9	137	Oil Drain Bolt	1	
10	139	Oil Gauge	1	
11	139	Oil Gauge "O" Ring	1	
12	140	Cylinder Stud Bolt	6	
13	141	158 Rubber Plug	1	
14	143	Stud Bolt 8-41	3	
15	145	Stud Bolt 8-32	5	
16	147	Oil Reserve	1	
17	149	Filter Cover	1	
18	150	Air Filter Element	1	
19	152	Air Filter Cap	1	
20	154	Card Protect Rubber	3	

## CRANK CASE RELATIONS (2)

Ref. No.	Part. No.	Part Name	Qty. Req'd	Common
21	.....	Oil Seal 25 35 7	1	
22	.....	Oil Seal 20 35 7	1	
23	.....	Steel Roller 6 $\phi$ 20	2	
24	.....	Hexagon Head Bolt 6 $\times$ 35	1	
15	.....	Hexagon Head Bolt 6 $\times$ 30	12	
26	.....	Hexagon Head Bolt 6 $\times$ 10	4	
27	.....	Cylinder Head Screw 6 $\times$ 60	1	
28	.....	Cylinder Head Screw 6 $\times$ 45	11	
29	.....	Cylinder Head Screw 6 $\times$ 10	1	
30	.....	Hexagon Nut M8	4	
31	.....	Small Hexagon Nut M10	8	
32	.....	Flat Washer 10 $\phi$	8	
33	.....	Flat Washer 8 $\phi$	3	
34	.....	Flat Washer 6 $\phi$	27	
35	.....	Spring Washer 8 $\phi$	1	



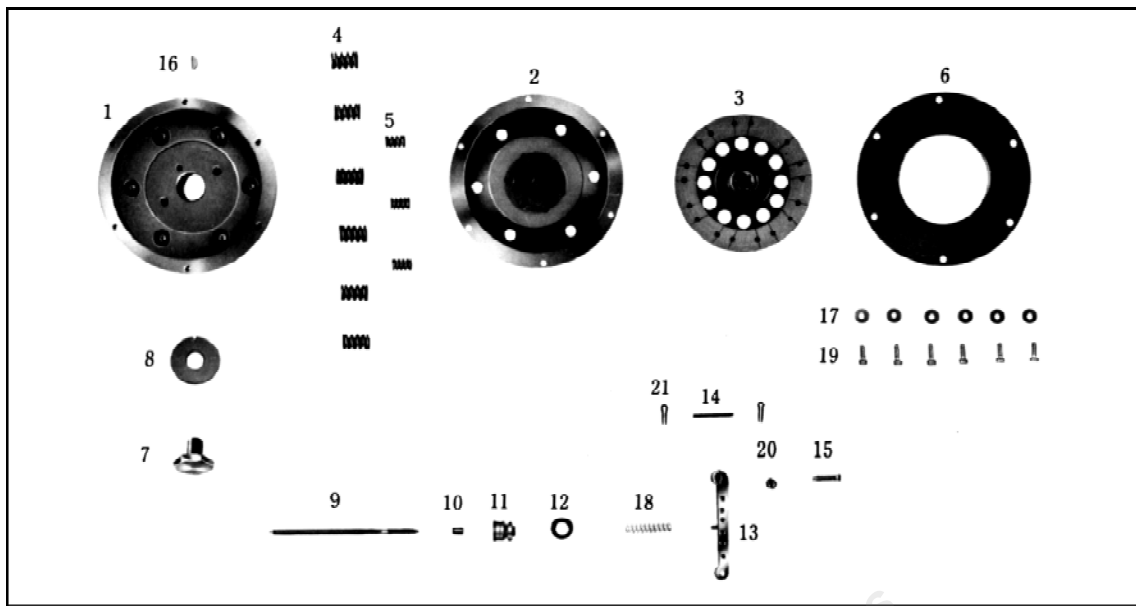
### CRANK SHAFT & CAM SHAFT RELATIONS (1)

Rel. No.	Part No.	Part Name	Qty. req'd.	Comments
1	105	Main Bearing Housing Complete	1	
2	106	Rear Bearing Housing	1	
3	107	Rear Bearing Housing Packing	1	
4	108	Crank Shaft	1	
5	109	Crank Pin	1	
6	110	Connecting Rod Complete	2	
7	111	Connecting Rod Detainer	2	
8	112	Oil Mark Plate	2	
9	113	Crank Shaft Collar	2	
10	114	Crank Seal	2	
11	115	Cam Gear	1	
12	120	Cam Shaft	1	
13	121	Oil Pump Gear	1	
14	122	Oil Pump Drive Gear	1	
15	123	Oil Pump Drive Gear	1	
16	124	Bearing Press	1	
17	125	Oil Pump Key Washer	1	
18	126	Breather Valve	1	



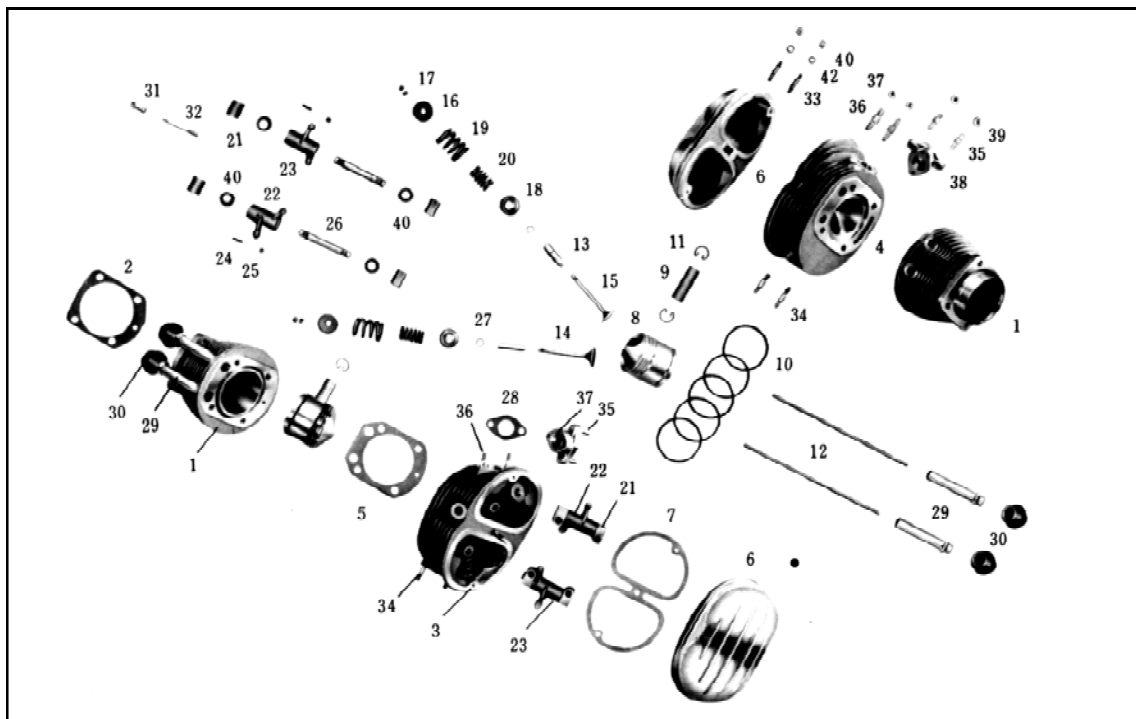
## CRANK SHAFT & CAM SHAFT RELATIONS (2)

Ref. No.	Part No.	Part Name	Qty Req'd	Common
21	R3-127	Breather Valve Spring	1	
22	128	Breather Valve Scr Ring	1	
23	130	Cam Shaft Bearing Housing	1	
24	142	Lifter Pin Bush	1	
25	146	Cam Gear Key	1	
26	148	Oil Pump Counter Shaft	1	1a
27	151	Bearing Stop Ring A	1	
28	153	Bearing Stop Ring B	1	
29	414	Valve Lifter Pin	4	
30		Bearing AF267	1	
31		Bearing 6207	1	
32		Bearing 6204	1	
33		Bearing 6203	1	
34		Bearing 6203Z	1	
35		Oil Seal 52 72 10	1	
36		Steel Roller 7# 10	24	
37		Steel Roller 4# 5	1	
38		Steel Roller 3# 5	1	
39		Hexagon Head Bolt 6 x 23	4	
40		Hexagon Head Bolt 6 x 20	6	
41		Hexagon Head Bolt 6 x 15	4	
42		Cylinder Head Screw 6 x 15	4	
43		Counter Sink Head screw 6 x 15	2	
44		Hexag. Nut M6	9	
45		Hexagon Jam Nut M6	1	
46		Flat Washer 6#	10	
47		Spring Washer 6#	4	
48		Tougher Lock Washer 6#	4	
49		Special Washer 11 x 27 x 0.5	1	Proper



### CLUTCH RELATIONS

Ref. No.	Part No.	Part Name	Qty. Req'd	Common
1	R2-201	Clutch Flywheel	1	
2	202	Clutch Pressure Plate Complete	1	
3	204	Clutch disc Complete	1	
4	205 A	Clutch Spring Large	6	
5	205 B	Clutch Spring Small	3	
6	206	Clutch Outer Plate	1	
7	207	Flywheel Hub	1	
8	208	Flywheel Knuck Washer	1	
9	209	Release Rod	1	
10	210	Release Rod Seal	1	L <sub>2</sub>
11	211	Release Bearing Assy	1	L <sub>2</sub>
12	212	Release Bearing "O" Ring	1	L <sub>2</sub>
13	213	Release Arm	1	L <sub>2</sub>
14	214	Release Arm Pin	1	L <sub>2</sub>
15	215	Adjust Bolt	1	L <sub>2</sub>
16	216	Flywheel Key	1	L <sub>2</sub>
17	217	16# Knuck Washer	6	
18	218	Release Spring	1	L <sub>2</sub>
19		Hexagon Head Bolt 6 x 20	6	
20		Hexagon Nut M6	1	
21		Outer Pin 1.69 x 12	2	

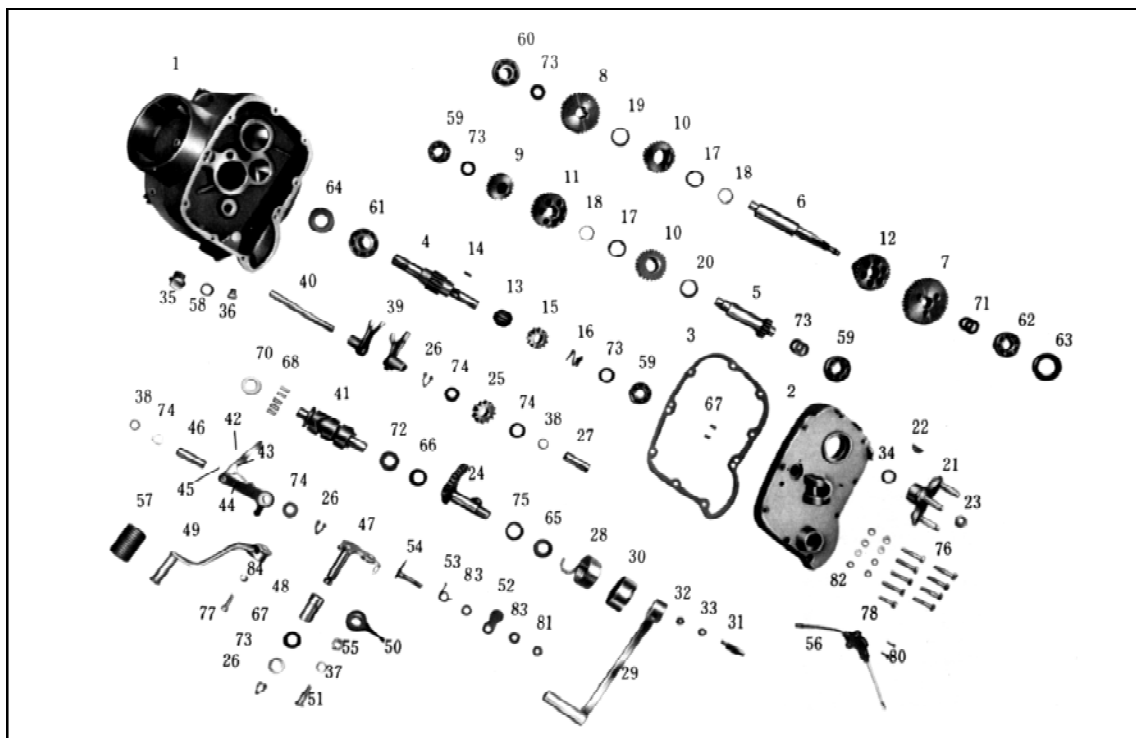


### CYLINDER & CYLINDER HEAD RELATIONS (1)

Ref.No.	Part.No.	Part Name	Qty Req'd	Comment
1.	R <sub>4</sub> -401	Cylinder Complete	2	
2..	402	Cylinder Packing	2	
3..	403	Cylinder Head Complete (Left)	1	
4..	404	Cylinder Head Complete (Right)	1	
5.	407	Cylinder Head Gasket	2	
6..	408	Valvet Cover	2	
7..	409	Valvet Cover Packing	2	
8..	410A	Piston (Standard Size)	2	
	410B	Piston (Over Size 0.25)		
	410C	Piston (Over Size 0.50)		
	410D	Piston (Over Size 0.75)		
	410E	Piston (Over Size 1.0)		
9..	411	Piston Pin	2	
10..	412A	Piston Ring Assy (Standard Size)	2	
	412B	Piston Ring Assy (Over Size 0.25)		
	412C	Piston Ring Assy (Over Size 0.50)		
	412D	Piston Ring Assy (Over Size 0.75)		
	412E	Piston Ring Assy (Over Size 1.0)		
11.	413	Piston Pin Knock Ring	4	
12.	415	Push Rod	4	
13..	416	Valvet Guide	4	

## CYLINDER & CYLINDERHEAD RELATIONS (2)

Ref. No.	Part No.	Part Name	Qty Req'd	Common
14	417	Inlet Valve	2	
15	418	Exhaust Valve	2	
16	419	Valve Cutter Receive	4	
17	420	Valve Cutter	8	
18	421	Valve Spring Seat	4	
19	422	Valve Spring (Large)	4	
20	423	Valve Spring (Small)	4	
21	424	Locker Arm Support	8	
22	427	Locker Arm Complete (Inlet)	2	
23	428	Locker Arm Complete (Exhaust)	2	
24	429A	Tappet Adjust Bolt	4	
25	429B	Tappet Adjust Nut	4	
26	430	Locker Arm Shaft	4	
27	432	Valve Guide check Knock Pin	4	
28	436	Manifold Packing	2	
29	438	Push Rod Cover	4	
30	439	Push Rod Cover Rubber	4	
31	442	Tappet Cover Nut	2	
32	433	Stud Bolt M8 x 60	2	
33	434	Stud Bolt M6 x 30	4	
34	440	Stud Bolt M8 x 36	4	
35	145	Stud Bolt M8 x 32	4	
36	469	Stud Bolt M8 x 27	4	
37	466A	Inlet Pipe Left	1	
38	466B	Inlet Pipe Right	1	
39		Hexagon Nut M8	8	
40		Cap Nut M6	4	
41		Spring Washer 8#	4	
42		Spring Washer 6#	4	
43		Special Washer 23 x 13 x 0.1	Proper	



### TRANSMISSION RELATIONS(1)

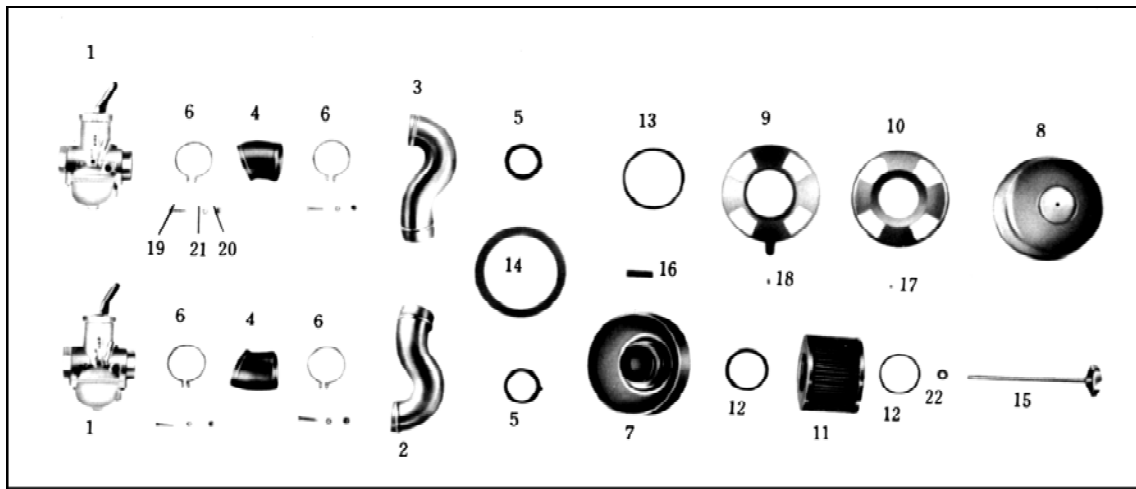
Ref.No.	Part.No.	Part Name	Qty Req'd	Common
1	301	Transmission Case	1	
2	302	Rear Cover	1	L
3	303	Rear Cover Parking	1	L
4	304	Main Shaft	1	
5	305	Counter Shaft	1	L
6	306	Spline Shaft	1	L
7	307	Low Driven Gear Complete	1	L
8	308	Second Driven Gear	1	L
9	309	Second Drive Gear	1	L
10	310	Top Gear (3rd Drive Gear)	2	L
11	311A	Clutch Gear (Round Long)	1	L
12	311B	Clutch Gear (Round Long) - 3rd Driven	1	L
13	312	Knock Ratchet	1	L
14	313	Knock Ratchet Key	1	L
15	314	Ratchet Gear	1	L
16	315	Ratchet Gear Spring	1	L
17	316	Spline Washer	2	L
18	317	Gear Knock Ring	2	L
19	318A	Gear Collar (Large)	1	L
20	318B	Gear Collar (Small)	1	L

## TRANSMISSION RELATIONS (2)

Ref.No.	Part.No.	Part Name	Qty Req'd	Contin
21	319	Rubber Joint Yoke Complete	1	L <sub>2</sub>
22	320	Rubber Joint Yoke Key	1	L <sub>2</sub>
23	321	Rubber Joint Yoke Nut	1	L <sub>2</sub>
24	322	Kick Gear Complete	1	
25	324	Kick Counter Gear	1	L <sub>2</sub>
26	325	11 $\frac{1}{2}$ Snap Ring	3	L <sub>2</sub>
27	326	Kick Counter Gear Shaft	1	L <sub>2</sub>
28	327	Kick Spring	1	L <sub>2</sub>
29	328	Kick Arm	1	
30	329	Kick Spring Langer	1	L <sub>2</sub>
31	330A	Kick Knave Bolt	1	L <sub>2</sub>
32	330B	Kick Knave Nut	1	L <sub>2</sub>
33	330C	Kick Knave Washer	1	L <sub>2</sub>
34	331	Just Yoke Seal Rubber	1	L <sub>2</sub>
35	332	Oil Cork	1	L <sub>2</sub>
36	334	Oil Drain Bolt	1	L <sub>2</sub>
37	334	Pivot Pin Washer	1	L <sub>2</sub>
38	335	11 $\frac{1}{2}$ Snap Ring	2	L <sub>2</sub>
39	340	Shift Fork	2	L <sub>2</sub>
40	341	Shift Fork Shaft	1	L <sub>2</sub>
41	342	Change Drum Complete	1	L <sub>2</sub>
42	343	Change Ratchet	1	L <sub>2</sub>
43	344	Change Ratchet Spring	1	L <sub>2</sub>
44	345	Change Arc	1	L <sub>2</sub>
45	346	Change Arm Pin	1	L <sub>2</sub>
46	347	Change Arm Shaft	1	L <sub>2</sub>
47	348	Change Shaft Complete	1	L <sub>2</sub>
48	350	Change Shaft Metal	1	L <sub>2</sub>
49	351	Change Lever	1	
50	352	Change Lever Adjust Spring	1	L <sub>2</sub>
51	353	Pivot Pin	1	L <sub>2</sub>
52	354	Change Knave Plate Complete	1	L <sub>2</sub>
53	357	Change Knave Spring	1	L <sub>2</sub>
54	358	Change Knave Bolt Complete	1	L <sub>2</sub>
55	359	Change Pin Nut	1	L <sub>2</sub>
56	361	Neutral Switch Assy	1	L <sub>2</sub>
57	364	Change Lever Rubber	1	L <sub>2</sub>
58	365	Oil Cork "O" Ring	1	L <sub>2</sub>

## TRANSMISSION RELATIONS (3)

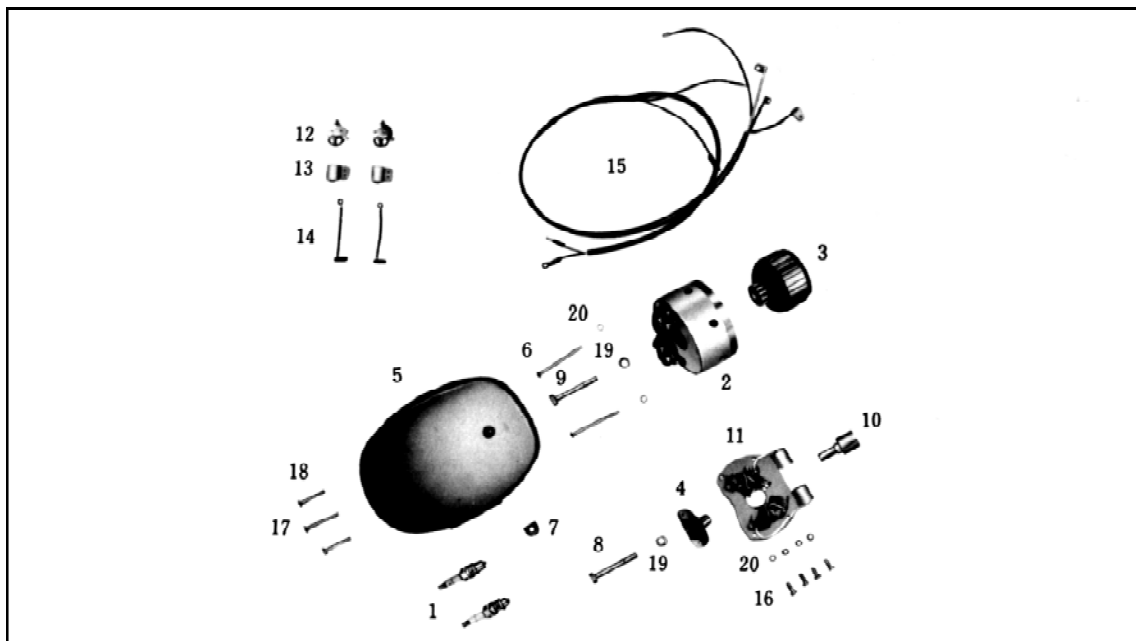
Ref.No.	Part.No.	Part Name	Qty Req'd	Common
59		Bearing 6202	3	
60		Bearing 6302	1	
61		Bearing 6204	1	
62		Bearing 6203	1	
63		Oil Seal 30 44 9	1	
64		Oil Seal 20 40 7	1	
65		Oil Seal 18 28 6	1	
66		Oil Seal 16 26 5	1	
67		Oil Seal 15 25 5	1	
68		Steel Roller 5 $\phi$ ×15	5	
69		Steel Roller 6 $\phi$ ×10	2	
70		Special Washer 30×16×1	1	
71		Special Washer 26×17-1	1	
		Special Washer 26×17×0.5	Properly	
		Special Washer 26×17×0.2	Properly	
72		Special Washer 25×16×0.5	1	
		Special Washer 25×16×0.2	Properly	
73		Special Washer 24×15-1	2	
		Special Washer 24×15×0.5	Properly	
		Special Washer 24×15×0.2	Properly	
74		Special Washer 23×14×1	4	
		Special Washer 23×14×0.5	Properly	
		Special Washer 23×14×0.2	Properly	
75		Special Washer 27×18×1	1	
76		Hexagon Head Bolt 6×32	7	
77		Hexagon Head Bolt 6×23	1	
78		Cylinder Head Screw 6×25	1	
79		Cylinder Head Screw 6×12	1	
80		Cylinder Head Screw 4×19	2	
81		Hexagon Nut M8	1	
82		Flat Washer 6 $\phi$	7	
83		Flat Washer 8 $\phi$	2	
84		Spring Washer 6 $\phi$	1	



### CARBURETOR & AIR CLEANER RELATIONS

Ref. No.	Part No.	Part Name	Qty. Req'd	Common
1	R-450	Carburetor VM28	2	
2	452	Air Pipe Left	1	
3	453	Air Pipe Right	1	
4	454	Air Pipe Joint Rubber	2	
5	455	Air pipe Seal	2	
6	456	Joint Rubber Clamp Ring	4	
7	457	Air Cleaner Case	1	
8	458	Air Cleaner Cover	1	
9	459	Air Shutter (A)	1	
10	460	Air Shutter (B)	1	
11	461	Air Cleaner Element	1	
12	462	Air Cleaner "O" Ring	2	
13	463	Shutter Spring	1	
14	464	Air Cleaner Case Packing	1	
15	465	Air Cleaner Set Bolt	1	
16	468	S-O Mark	1	
17		Steel Roller 14x5	1	
18		Steel Ball 1/2"	1	
19		Cylinder Head Screw 4x20	4	
20		Hexagon Nut M4	4	
21		Spring Washer 4#	4	
22		Flat Washer 6#	1	





### ENGINE'S ELECTRICITY RELATIONS

Ref.No.	Part.No.	Part Name	Qty Req'd	Comments
1	R, 501	Spark Plug NGK RC 64EW	2	L <sub>2</sub>
2	502A	Stator Assy	1	
3	502H	Ammeter	1	
4	503	Automatic Governor Assy	1	
5	504	Dynamo Cover	1	
6	505	Stator Tighten Bolt M5 x 70	2	
7	506	Cord Protector Rubber	1	
8	507	Governor Tighten Bolt	1	
9	508	Ammeter Tighten Bolt	1	
10	509	Governor Shaft	1	
11	510	Contact Point Plate Assy	1	
12	513	Contact Point	2	
13	514	Condenser	2	
14	515	Dynamo Brush	2	
15	516	Dynamo Coil	1	
16		Cylinder Head Screw 5x14	4	
17		Oval countersunk Head Screw 6x50	1	
18		Oval countersunk Head Screw 6x40	2	
19		Spring Washer 8ø	2	
20		Spring Washer 5ø	0	

MARUSHO MAGNUM 500 TYPE PARTS CATALOGUE

U. S. MARUSHO CORPORATION

8588W WASHINGTON BLVD

CULVER CITY CALIF 90231

AREA CODE 213 836-3251  
871-0371

LILAC Motorcycle Co., Ltd.

MAIN OFFICE. 413 MORITA-CHO HAMAMATSU SHIZUOKA PREF.

JAPAN TEL. NO. 2 5555. 3 3566. 3 3567

# ***MOTORCYCLE PARTS & ACCESSORIES***

*Click on links below*

*[Marusho Motorcycle History & Technical Specifications](#)*

*[Motorcycle Parts & Accessories](#)*

*[Dirt Bike Parts & Accessories](#)*

*[Harley Davidson Parts & Accessories](#)*

*[Motorcycle Helmet Closeout Sale](#)*

*[Japanese Motorcycle Original Equipment Parts](#)*

*[Save On All Motorcycle Tires](#)*

*[Motorcycle Jacket Closeout Sale](#)*

*[High Visibility Motorcycle Safety Gear](#)*

*[Cycle Gear – Free Shipping](#)*

*[Women's Motorcycle Riding Gear](#)*

*[Free Shipping On All Motorcycles](#)*

*[Save Up To 80% On All Car Parts](#)*



<https://www.motorcycle-manual.com/>

[www.classiccycles.org](http://www.classiccycles.org)