

# RABBIT

## SUPERFLOW S601C

S601 - 69861

Addendum to

Rabbit Superflow S601B

Parts List



[www.ClassicCycles.org](http://www.ClassicCycles.org)

The following parts are applicable to the S601C Superflow. It is requested that this addendum be added to the S601B parts list and applied against the S601C scooters.

**NOTE:** \* Indicates a revised number or nomenclature.

SCOOTERMANIA

3235 Elyon St.

San Diego, CA 92106 (U.S.A.)

**FUJI HEAVY INDUSTRIES LIMITED**

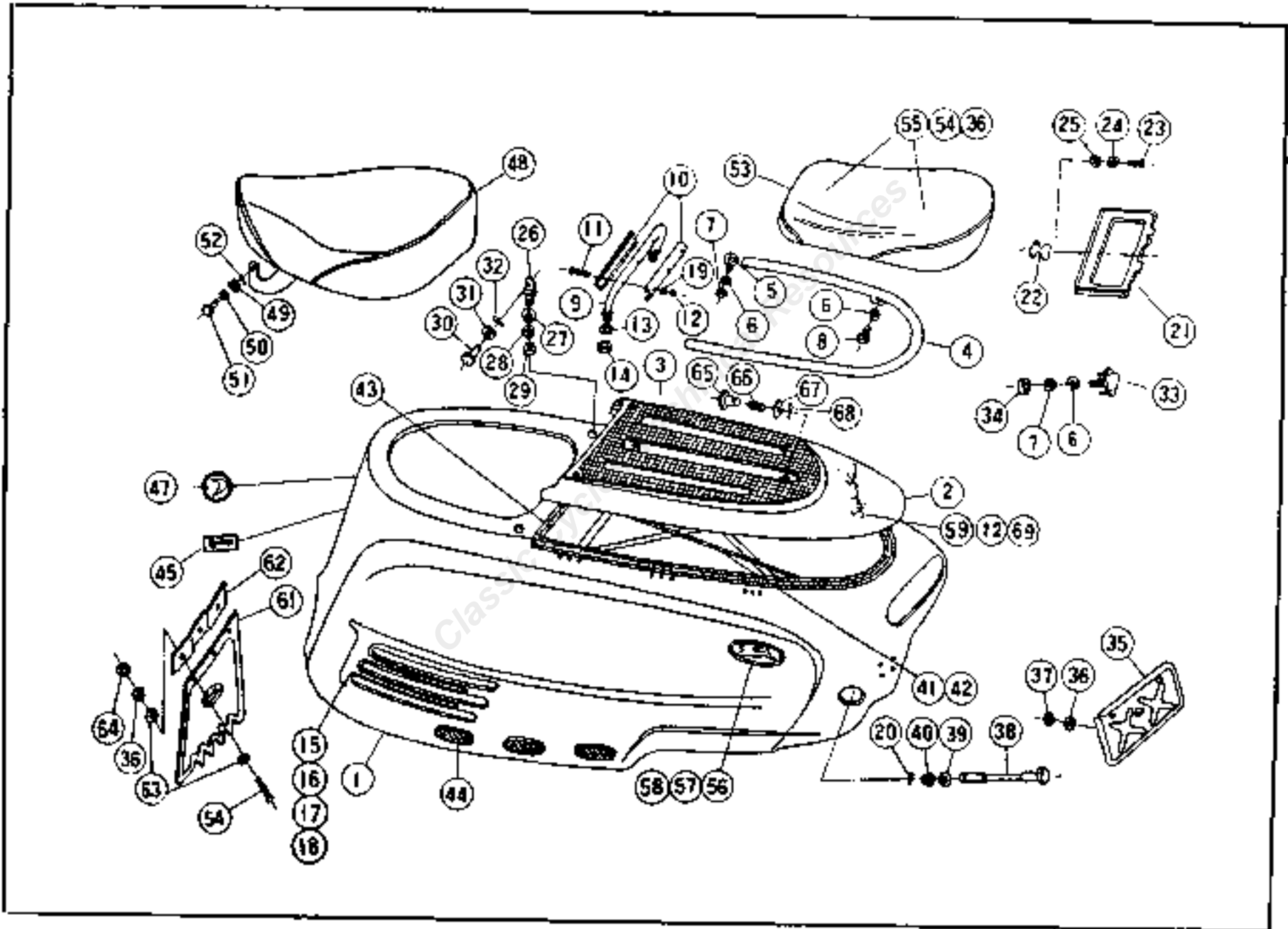
<https://www.motocycleworld.com>

# BODY SECTION

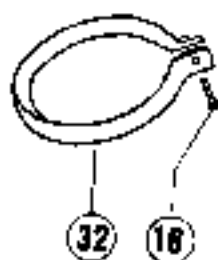
Classic Cycles Technical Resources

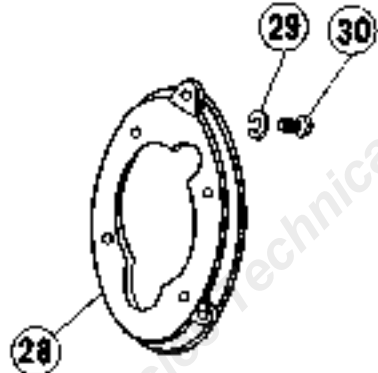
# Body Section

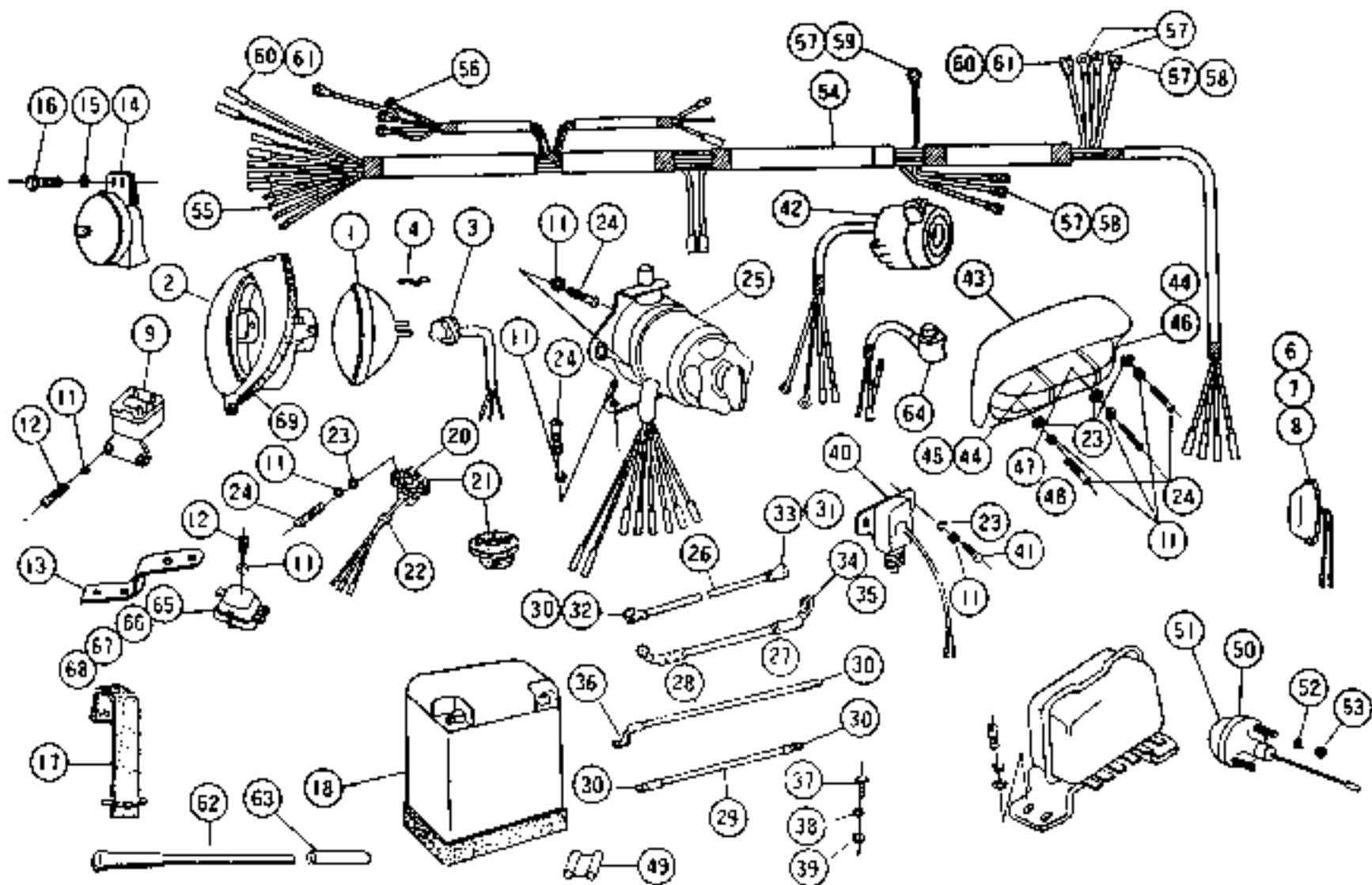
Page	Item	Part Number	Nomenclature	Q'ty Req.	F.O.B. Unit Price	Remarks
3	1	*651879	Front Fork Assembly	1	US \$ 7.20	
	3	*651047PE	Handlebar Assembly	1	1.86	
	5	161977	*Shaft Bolt	1	.16	
	22	*160843PE	Outer Race Cover (Upper Ball)	1	.32	
	25	*159016P	Bracket	1	.25	
7	1	*85503C/Ref.	Main Frame	1	18.60	
	2	*159368	*Bushing	1	.02	
	3	*651471PE	Duct Assembly	1	2.50	
	4	*453522PE	Floor Board	1	.72	
	6	*452514CE	Foot Rest (Left)	1	.40	
	7	*651676C	Foot Rest Rubber (Left)	1	.26	
	8	*452516CE	Foot Rest (Right)	1	.40	
	9	*651677C	Foot Rest Rubber (Right)	1	.26	
	24	*855071PE	*Leg Shield	1	*4.00	
	25	*159842	Engine Bracket Assembly	1	2.40	
8	37					Nil
11	37					Nil
13	2	*651472/2-A	Pipe	1	1.16	
	20	*452976	Main Stand	1	.90	*For Both Right & Left Traffic.

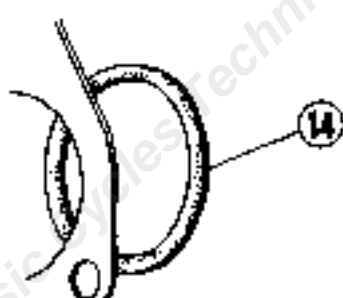


Page	Item	Part Number	Nomenclature	Qty Req.	F.O.B. Unit Price	Remarks
15	1	*85617PE/Ref.	Body Cover	1	US \$ 20.00	
	2	*651093PE	Trunk Cover	1	3.00	
	3	*452445100	Protector Rubber	1	.46	
	12	3 R1519	Nut 3mm	*5	.004	
16	46					Nil
	48	453356GF	Main Seat	1	2.80	
	60					Nil
	65	165190	Bracket	2	.03	Added
	66	164324	Spring	2	.016	Added
	67	164325	Bracket	2	.004	Added
	68	2x12-R3219	Cutter Pin 2x12	2	.004	Added
	69	032003000	Spring Washer	2	.004	Added
19	1	*85516FE	Front Fender Assembly	1	7.20	
	9	6-R2216	*Spring Washer 6mm	6	.004	
21	1	*651763FE	Instrument Board	1	.90	
	2	*454092FE	Instrument Board Door	1	.20	
	10	*651762PE	Fuel Tank Cover	1	2.60	
	14	*454099PE	Cover	1	.20	
	16	5x14-R1279	Screw 5x14	*7	.004	See figure below
	28	*1648752B	Net	1	.02	
	32	165172	Speedometer Fixing Band	1	.05	Added See figure below



Page	Item	Part Number	Nomenclature	Qty Req.	F.O.B. Unit Price	Remarks
29	11					Nil
	12	157107	Bolt 8x22	*8	US\$ .016	
	17	*455351	Tubeless Tire	1	5.83	4.00-8 4P
	25	*168550	Cam Shaft	1	.30	
29	1	*652306	Brake Drum	1	2.80	
	6	*455351	Tubeless Tire	1	5.87	4.00 8 4P
	22	*168549	Cam Shaft	1	.19	
	25					Nil
	28	455358	Seal Plate	1	.98	Added See figure below
	29	032008000	Spring Washer	4	.004	Added See figure below
	30	040006120	Screw	4	.004	Added See figure below
						
31	14	6-R2216	Spring Washer 6mm	6	* .004	
	15	6x18-R1019	Bolt 6x18	4	* .006	
	16	166232	Packing	1	* .03	
	17	166246	Muffler Connector	1	* .50	
33	2	*163062RC	Throttle Grip	1	* .18	
	30					Nil



Page	Item	Part Number	Nomenclature	Qty Req.	F.O.B. Unit Price	Remarks
35	1	*651504/1	Seald Beam Unit	1	US\$ 1.70	
	5					Nil
	10					Nil
	18	162977	*Battery 18 AH	2	5.00	
	19					Nil
36	43	651764PE	Tail & Turn Signal Light Assembly	1	2.00	
	44	*651764/6	Turn Signal Light Bulb	2	.24	
	45	*651764/3	Turn Signal Light Glass Rear Left	1	.12	
	46	*651764/4	Turn Signal Light Glass Rear Right	1	.12	
	47	*651764/5	Tail Light Bulb	1	.12	
37		*453890-7	Choke Control Cable Assembly	1	.46	*Includes 1-7.
38	3	*453352/3	Charge Light Bulb	1	.06	
	4	*453352/2	Speedometer Light Bulb	1	.06	
	14	*166677	"O" Ring	1	.05	See figure below
						
40	1					Nil



Page	Item	Part Number	Nomenclature	Qty Req.	F.O.B. Unit Price	Remarks

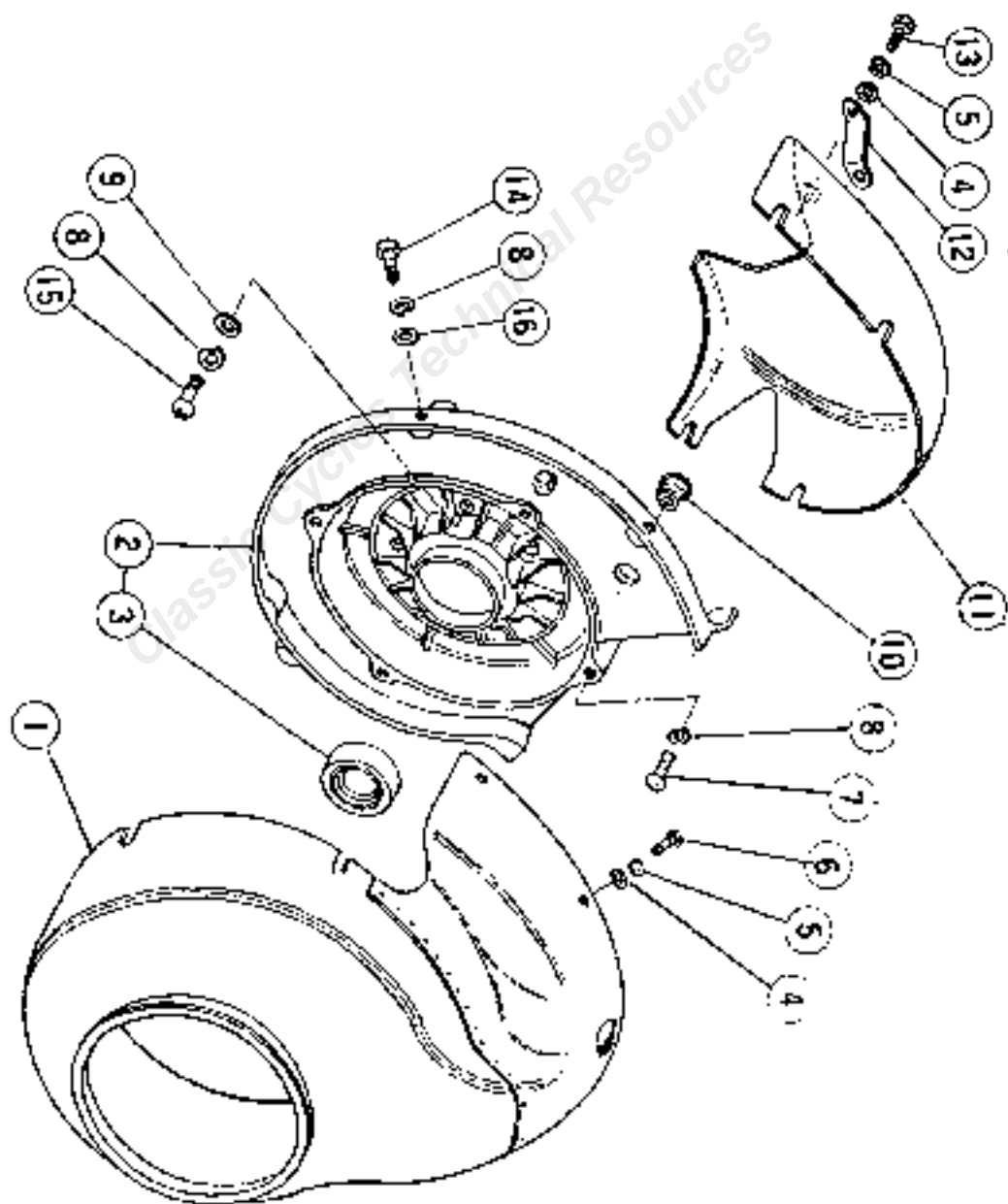
# ENGINE SECTION

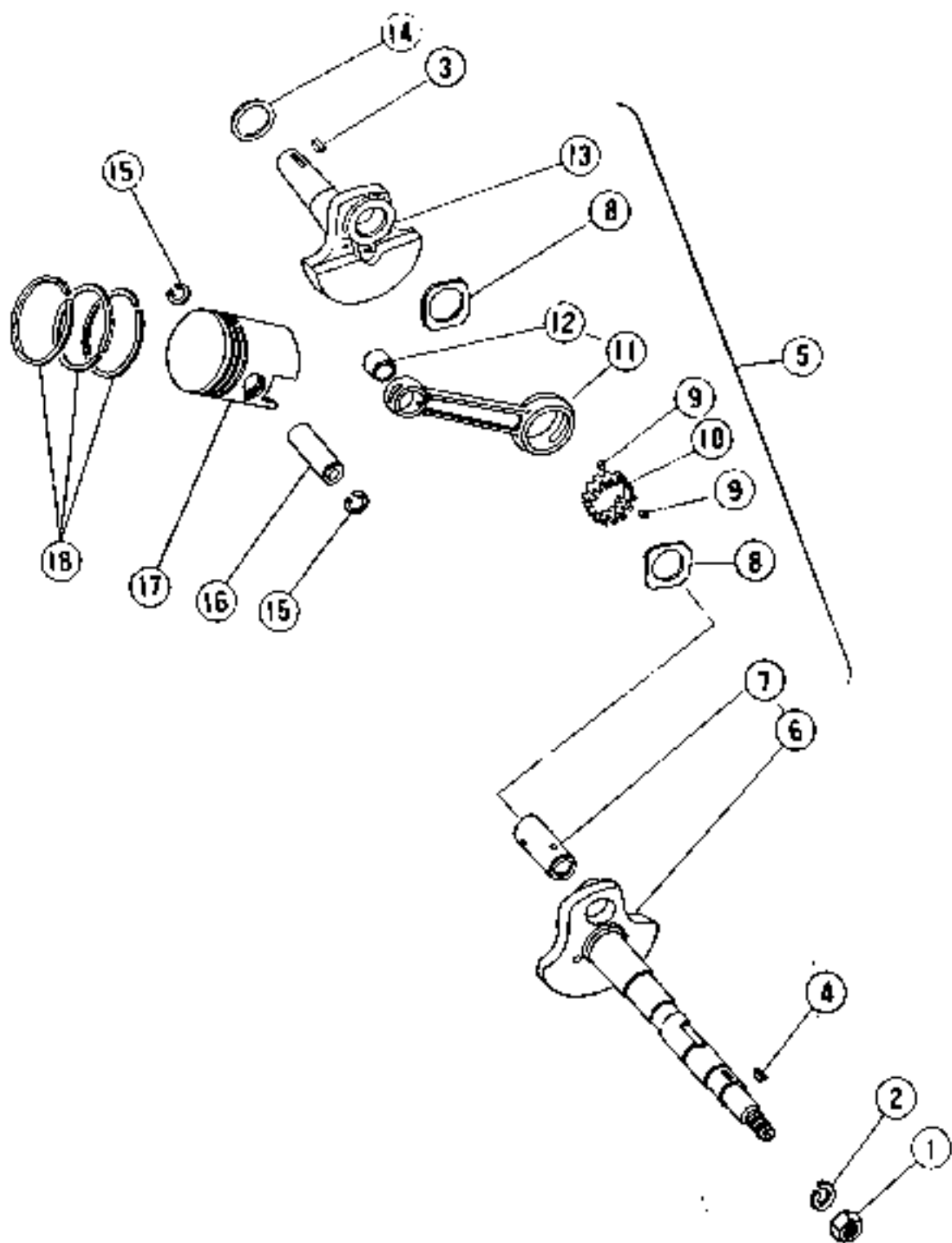
Classic Cycles Technical Resources

## Engine Section

Page	Item	Part Number	Nomenclature	Q'ty Req.	F.O.B. Unit Price	Remarks
45	10	*EK31A-182	Bolt	4	US \$ .04	
	11	*ES31A-046 (B)	Spark Plug	1	.32	
	14	*ES66B-011/2	Cylinder	1	4.60	
	15	*8x30-1128	Stud Bolt 8 mm	2	.016	

Page	Item	Part Number	Nomenclature	Qty Req.	F.O.B. Unit Price	Remarks
47	1	*ES66CE-025	Fair Cover	1	US\$ 1.60	
	2	ES66A-013/1	Bearing Plate Complete	1	2.30	*Includes 3.
	4	*6-2018	Washer 5mm	6	.004	
	9	6-2028	Washer 6mm	15	.004	
	10	*ES66A-134/1	Bushing	1	.012	
	11	*ES66CE-016	Baffle	1	.64	
	12	*ES66CE-157	Baffle Supporter	1	.02	
	16	6-2018	Washer 6mm	4	.004	Added

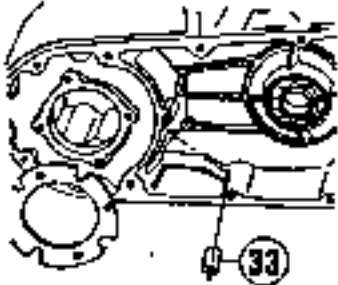




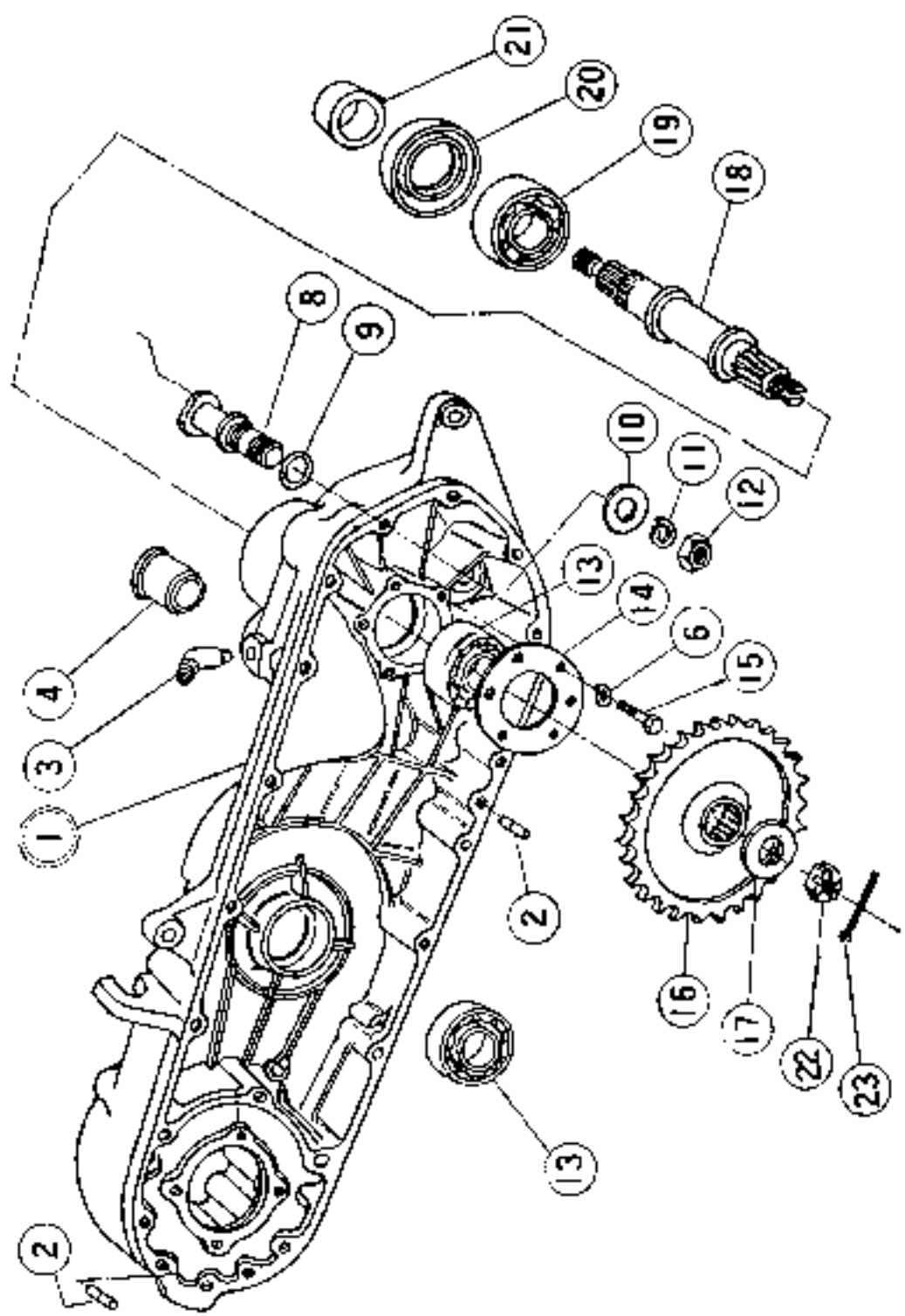
Page	Item	Part Number	Nomenclature	Qty Req.	F.O.B. Unit Price	Remarks
49	1	*14-1518	Nut 14 mm	1	US \$ .018	
	6	*ES66B-021/1	Crankshaft Complete (Left)	1	3.00	
	11	*ES66BE-023	Connecting Rod Complete	1	2.20	
	12	*ES66A-207/3	Piston Pin Bushing	1	.38	

Classic Cycles Technical Resources

Page	Item	Part Number	Nomenclature	Q'ty Req.	F.O.B. Unit Price	Remarks

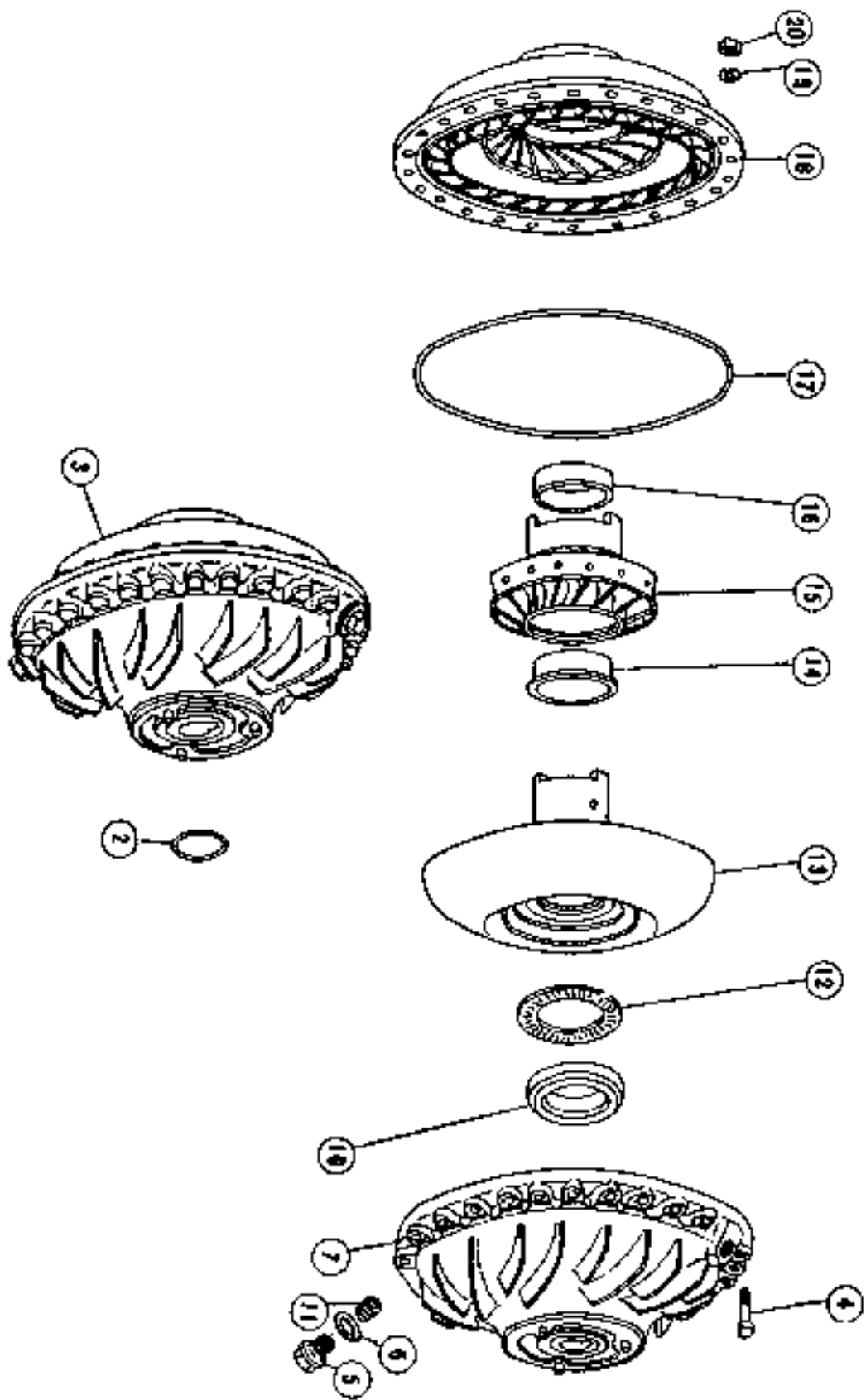
Page	Item	Part Number	Nomenclature	Qty Req.	F.O.B. Unit Price	Remarks
51	8	*ES56A-800/1	Speedometer Driving Unit	1		See page on speedometer
	14	*ES56B-406/1	Rubber Pipe	1	.03	
	16	*ES56A-041/2	Band	1	.18	
	22	*ES56C-995	Chain Case (Right)	1	10.40	
	29	*ES56A-025	Primary Chain	1	.76	
	30					
	32	*ES56A-626	Packing	1		See page on speedometer
	33	ES56C-635	Spacer	1	.05	Added
						
53	1	*ES56B-602/1	Chain Case (Left)	1	US \$ 3.30	
	5	*26-2610	*Fibre Packing 26mm	1	.004	





Page	Item	Part Number	Nomenclature	Qty Req.	F.O.B. Unit Price	Remarks
55		*ES56C-995	Chain Case (Right) Sub-Assembly	1	US\$10.40	
	1	*ES56C-061	Chain Case (Right) Complete	1	5.00	
	3	*ES56A-614/3	Grease Nipple	1	.024	
	5					Nil
	7					Nil
	15	*6 x 18 1018	Bolt 6 mm	6	.006	
57	10	*ES56A-542/1	Rubber Duct	1	.16	

Classic Cycles Technical Resources

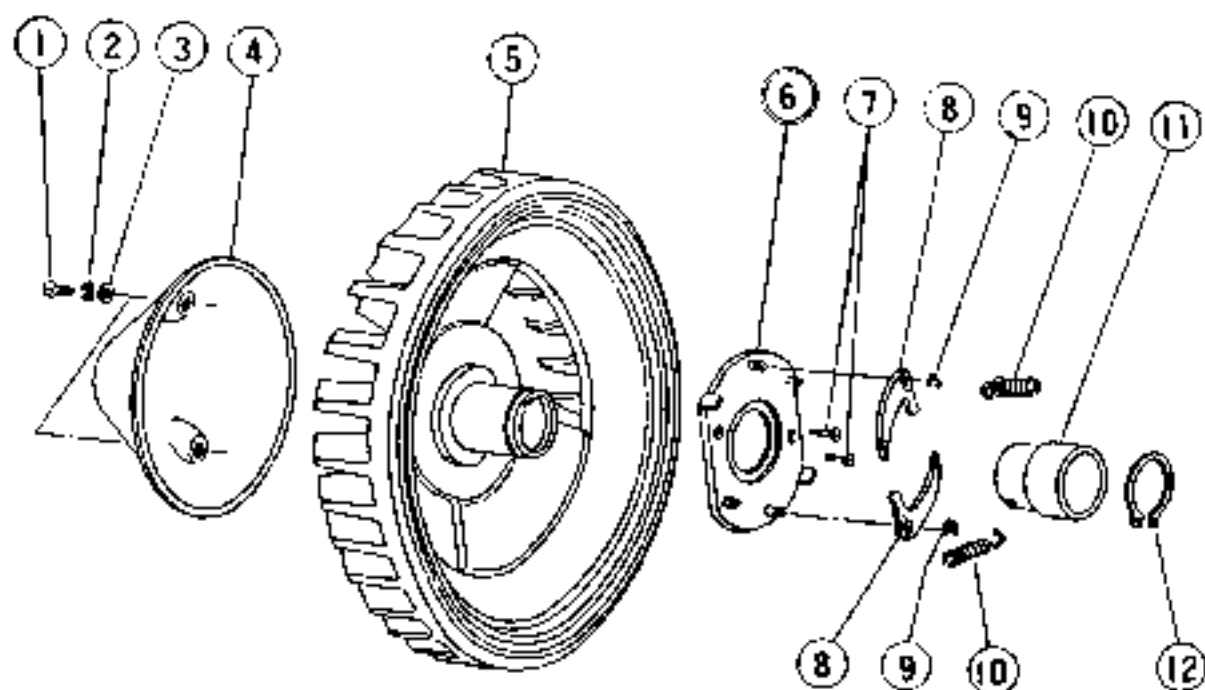


Page	Item	Part Number	Nomenclature	Qty Req.	F.O.B. Unit Price	Remarks
59	1					Nil
	3	*MS31C-999	Torque Converter Assembly	1	US \$ 19.00	
	5	*MS31C-151	Plug	2	.03	
	6	*MS31C-152	Fibre Packing 6mm	2	.004	
	7	*MS31C-011	Impeller Case	1	3.50	*Includes 10~12.
	8					Nil
	9					Nil
	10	*MS31B-101:1	*Thrust Bearing Collar	1	* .50	
	12	*MS31B-103:1	*Thrust Bearing	1	*1.20	
		*MS31C-000	Torque Converter Assembly	1	25.00	

Classic Cycles Technical Resources

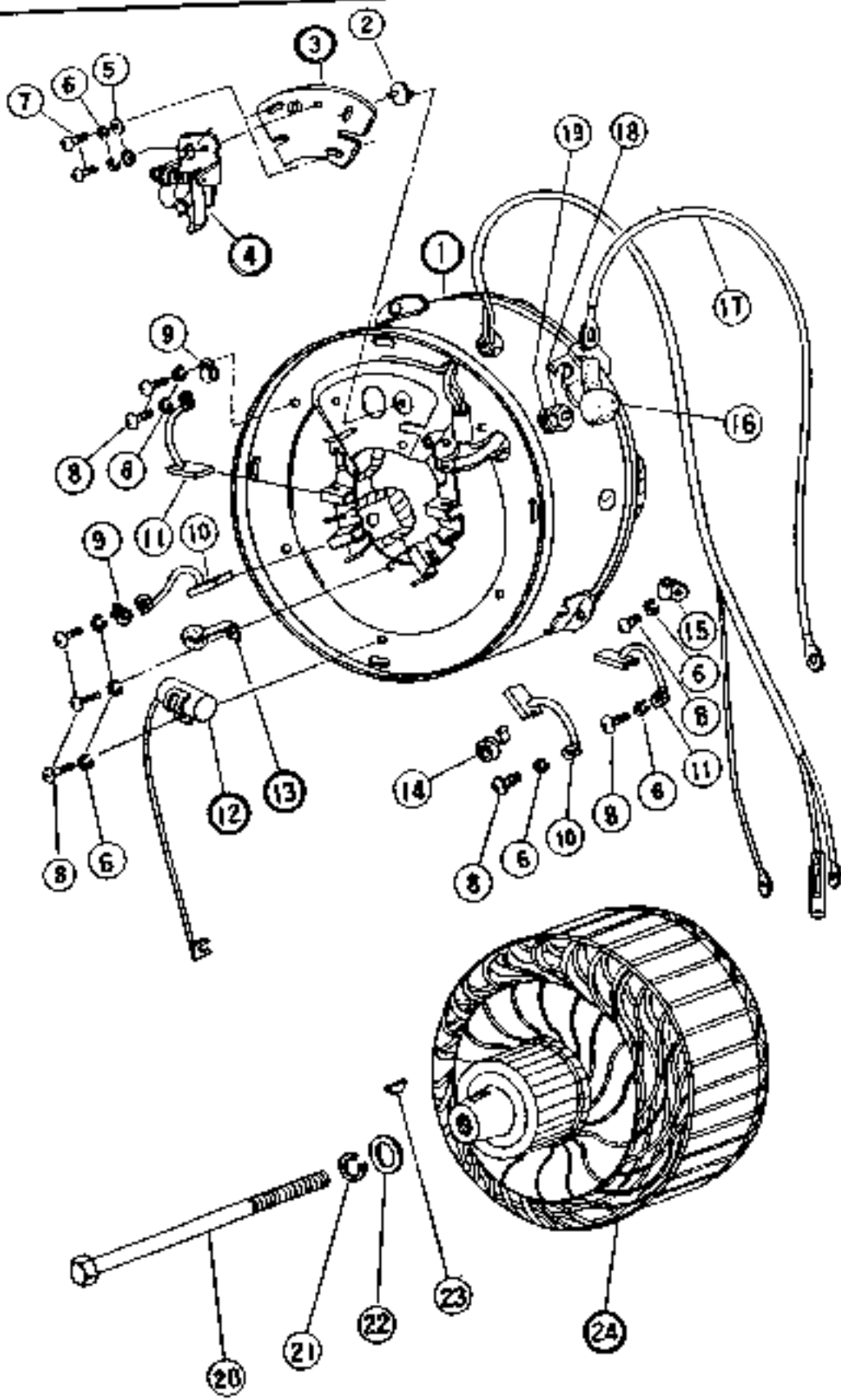
**Starter Dynamo (A) (KOKUSAN)** Note: S601C uses only KOKUSAN

Page	Item	Part Number	Nomenclature	Q'ty Req.	F.O.B. Unit Price	Remarks
62		D 2180	Fan with Cover	1	US\$ 5.60	Includes 1~12
	1	SPL5014	Screw	2	.004	
	2	WR55013	Spring Washer	2	.004	
	3	WKQ5010	Washer	2	.004	
	4	D2089	Fan Cover	1	.48	
	5	D2181	Fan	1	3.80	
	6	M12556	Governor Installation Plate	1	.50	
	7	SSL4007	Screw	2	.004	
	8	M12558	Governor Weight	2	.04	
	9	M6560	Weight Stopper	2	.004	
	10	M18779	Coil Spring	2	.02	
	11	D2183	Cam	1	.80	
	12	D6248	Ring	1	.04	



Page	Item	Part Number	Nomenclature	Qty Req.	F.O.B. Unit Price	Remarks

Classic Cycles Technical Resources

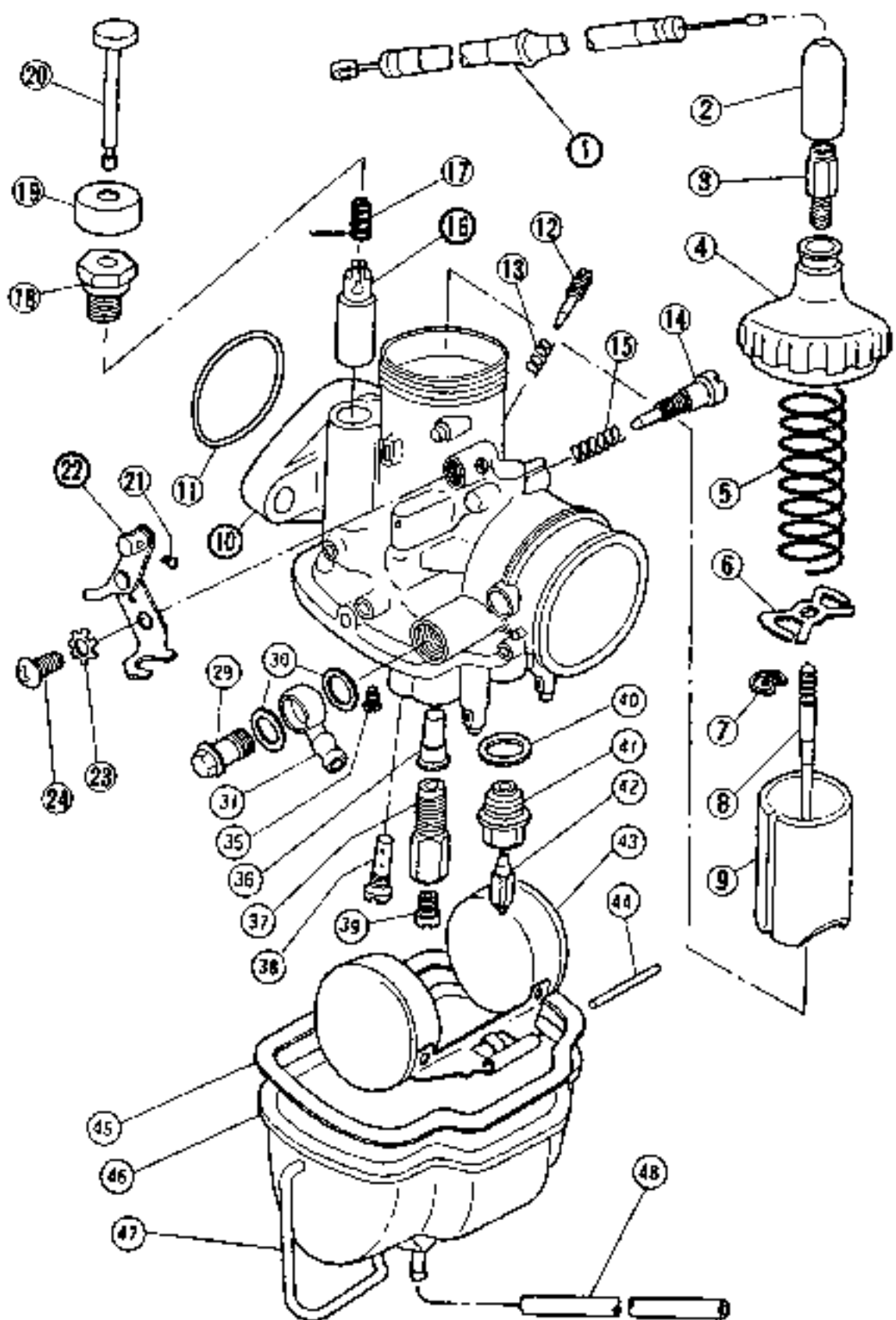


**Starter Dynamo (B) (KOKUSAN)**

Note: S601C uses only KOKUSAN

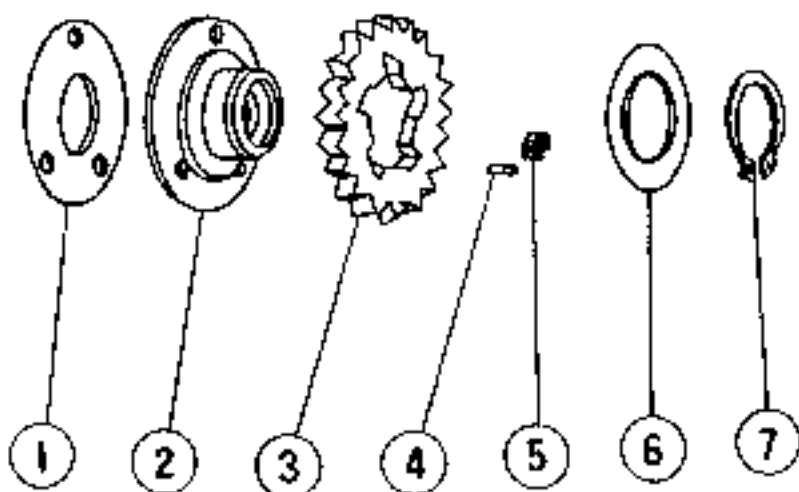
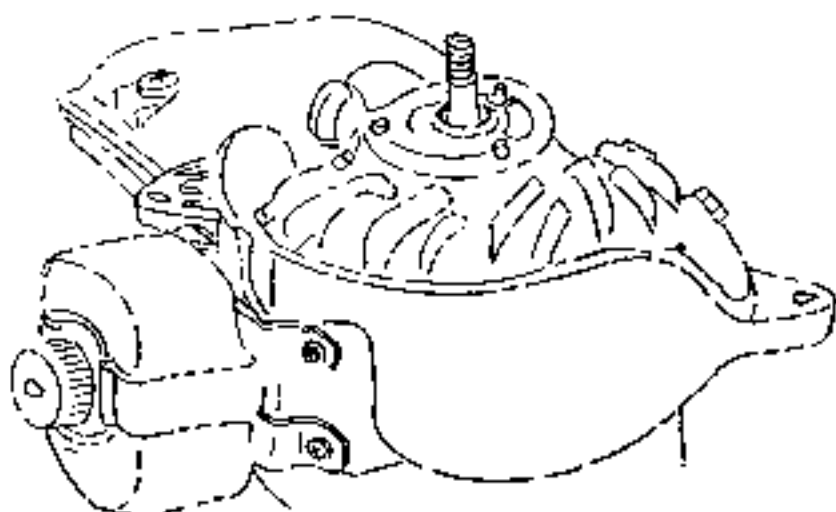
Page	Item	Part Number	Nomenclature	Qty Req.	F.O.B. Unit Price	Remarks
65		D1362;Ref.	Starter Complete	1	US \$16.80	
	1	D1363	Stator Sub-Assembly	1	6.00	
	2	M54028	Adjuster	1	.03	
	3	M54056	Breaker Installation Plate	1	.20	
	4	M4522	Breaker	1	.84	
	5	WKQ4008	Washer	3	.004	
	6	WBS4010	Spring Washer	11	.004	
	7	SNL4007	Screw	3	.004	
	8	SNL4005	Screw	8	.004	
	9	M6221	Clamp	2	.004	
	10	D1267	Brush (-)	2	.34	
	11	D1268	Brush (+)	2	.34	
	12	M3689	Condenser	1	.34	
	13	M54160	Oil Felt	1	.07	
	14	D6310	Spring	4	.04	
	15	M6900	Clamp	1	.004	
	16	D6253	Rubber Cap	1	.03	
	17	D6276	Wire	1	.18	
	18	D6036	Nut	2	.02	
	19	WBS6015	Spring Washer	2	.004	
	20	D6246	Bolt	1	.20	
	21	M6433	Spring Washer	1	.004	
	22	D6311	Washer	1	.004	
	23	M16236	Woodruff Key	1	.04	
	24	D2081	Armature Assembly	1	12.80	
		ES56HE-999-B	Starter Dynamo Sub-Assembly	1	34.00	Includes A and B.
67		*E556HE-991;T-B	Regulator Complete	1	4.60	*Kokusan ZR602





Page	Item	Part Number	Nomenclature	Q'ty Req.	F.O.B. Unit Price	Remarks
71	7	*PW22/58	Needle Clip	1	US\$ .04	
	18	*PW24BS/B170	*Starter Cover	1	* .008	
	19	*PW24BS/174	*Rubber Cap	1	* .10	
	20	*PW24BS/175	*Starter Valve Lifter	1	* .10	
	21	*4PN8	*Screw 4x8	1	* .004	
	22	*PW24BS/171	*Starter Lever	1	* .09	
	23	*5WTB	*Lock Washer	1	* .006	
	24	*5PN10	*Screw 5x10	1	* .004	
	25					Nil
	26					Nil
	27					Nil
	28					Nil
	32					Nil
	33					Nil
	34					Nil
72	49					Nil
	50					Nil

# Kick Gear (Added)

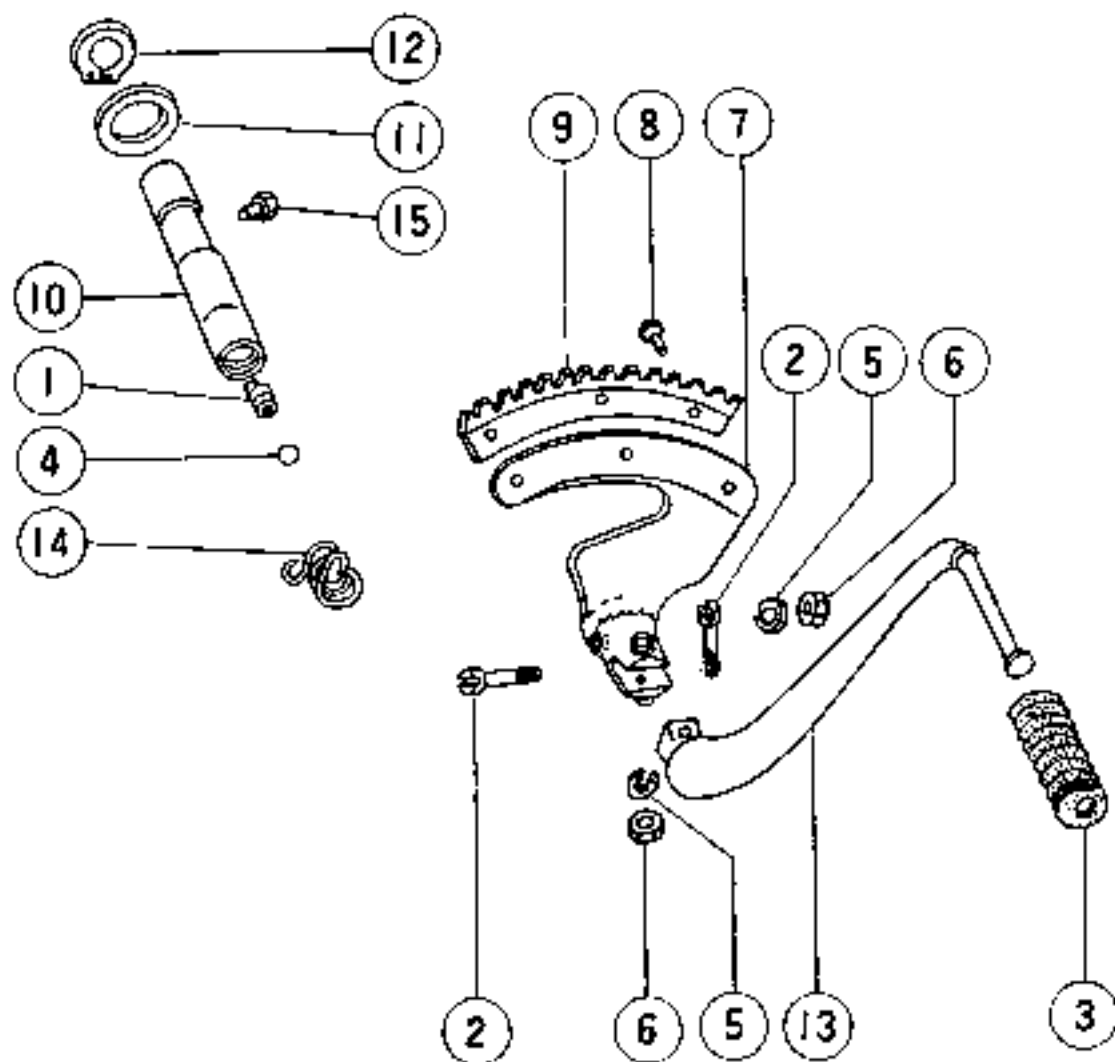


Page	Item	Part Number	Nomenclature	Qty Req.	F.O.B. Unit Price	Remarks
	1	ES56C-807	Packing (Kick Pinion)	1	US\$ .02	
	2	ES56C-802	Pinion Shaft	1	1.10	
	3	ES56C-801	Kick Pinion	1	1.08	
	4	ES56C-803	Roller 6 mm	5	.016	
	5	ES36A-710	Roller Retainer	5	.004	
	6	ES56C-804	Spacer	1	.07	
	7	ES56C-805	Clr.Clip 324	1	.056	

Page	Item	Part Number	Nomenclature	Q'ty Req.	F.O.B. Unit Price	Remarks

Classic Cycles Technical Resources

# Kick Starter (Added)



Page	Item	Part Number	Nomenclature	Q'ty Req.	F.O.B. Unit Price	Remarks
	1	351072000	Spring (Kick Arm)	1	US \$ .02	
	2	351072100	Pin	2	.10	
	3	351071500	Kick Pedal Cover	1	.07	
	4	351072300	Steel Ball	1	.014	
	5	032006000	Spring Washer	2	.004	
	6	021006110	Nut	2	.004	
	7	168752	Sector Gear Assembly	1	2.40	
	8	059150161	Revet	3	.004	
	9	455295	Sector Gear	1	.60	
	10	168755	Kick Shaft	1	1.20	
	11	168760	Washer	1	.02	
	12	168761	Cir-Clip 20p	1	.04	
	13	169090100	Kick Pedal Assembly	1	1.60	
	14	161304	Kick Spring	1	.19	
	15	090011100	Grease Nipple	1	.006	

# MEMO

—

RABBIT

SUPERFLOW 200

S 601 SERIES

(S601B, S601C, S601C-II, S601C-III)

Classic Cycles Technical Resources



**FUJI HEAVY INDUSTRIES LTD.**

<https://www.motorcycle-manual.com/>





# CONTENTS

## ENGINE

CRANKCASE .....	2
CYLINDER .....	4
PISTON & CRANKSHAFT .....	6
FAN COVER .....	9
CHAINCASE .....	10
AIR CLEANER .....	13
TORQUE CONVERTER (A) .....	14
TORQUE CONVERTER (B) .....	16
KICK PINION .....	16
STARTER DYNAMO (A) .....	19
STARTER DYNAMO (B) .....	20
REGULATOR .....	22
IGNITION COIL .....	23
CARBURETOR .....	24

## BODY

HANDLEBAR & FRONT FORK .....	28
FRAME (A) .....	32
FRAME (B) .....	34
FRAME (C) .....	36
BODY COVER (A) .....	38
BODY COVER (B) .....	41
FRONT FENDER .....	42
FUEL SYSTEM .....	44
KICK STARTER .....	47
FRONT WHEEL .....	48
ENGINE MOUNTING .....	50
REAR WHEEL .....	52
CONTROL SYSTEM .....	54
MUFFLER .....	56
SPEEDOMETER (S601C-I, S601C-II) .....	58
REAR-VIEW MIRROR & TOOL KITS .....	59
ELECTRICAL SYSTEM .....	60

## INDEX & PRICE LIST

## NOTE

1. When ordering spare parts, use the standard parts order sheets and be sure to give the model number.
2. When ordering painted parts, be sure to name the color.
3. Applicable chassis number.

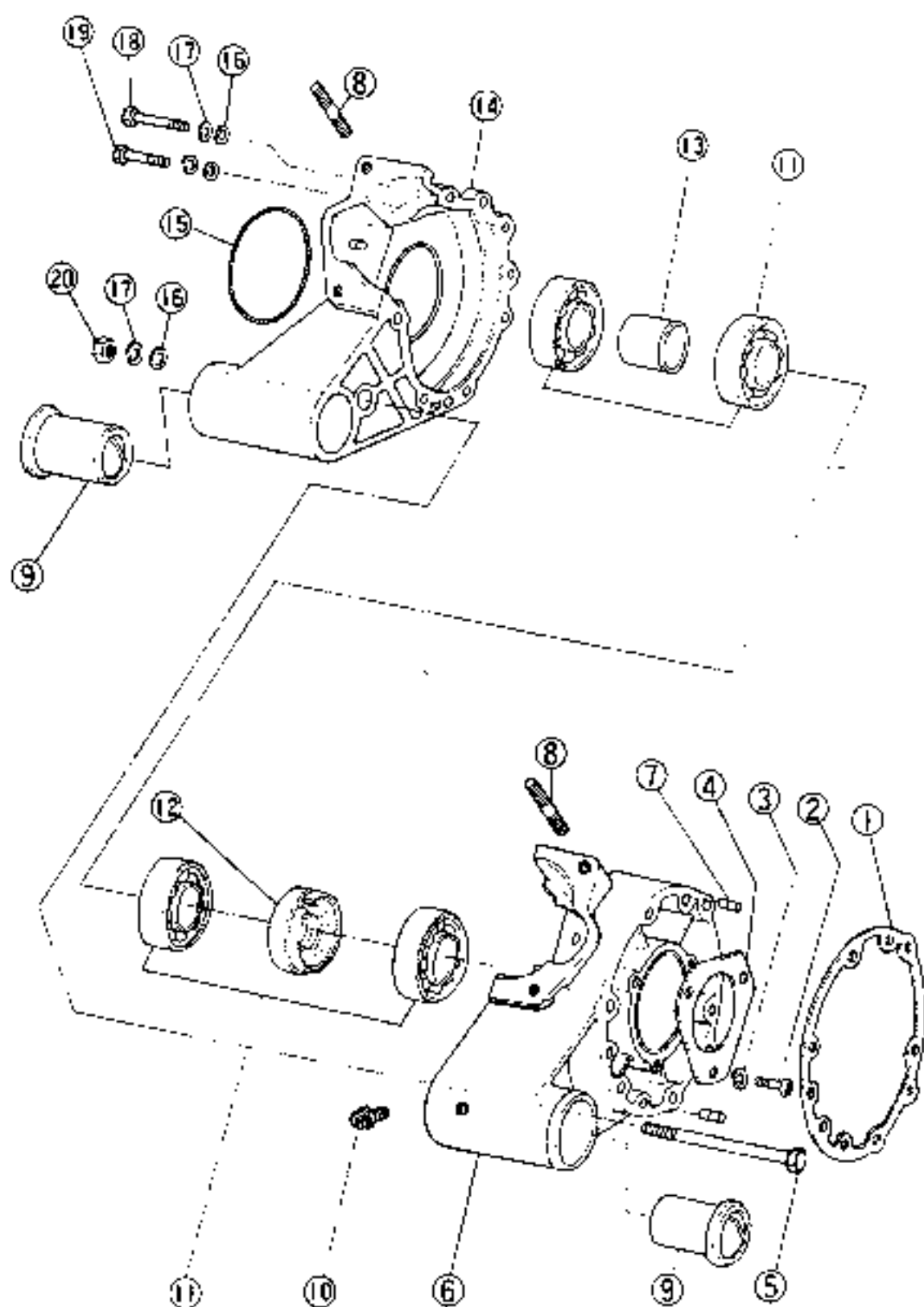
S601B	C / # 17771--50000
S601C	C / # 50001--60000
S601C-II	C / # 60001--72700
S601C-III	C / # 72701 and after

4. The part which is not listed in this catalogue can not be supplied.

# ENGINE

Classic Cycles Technical Resources

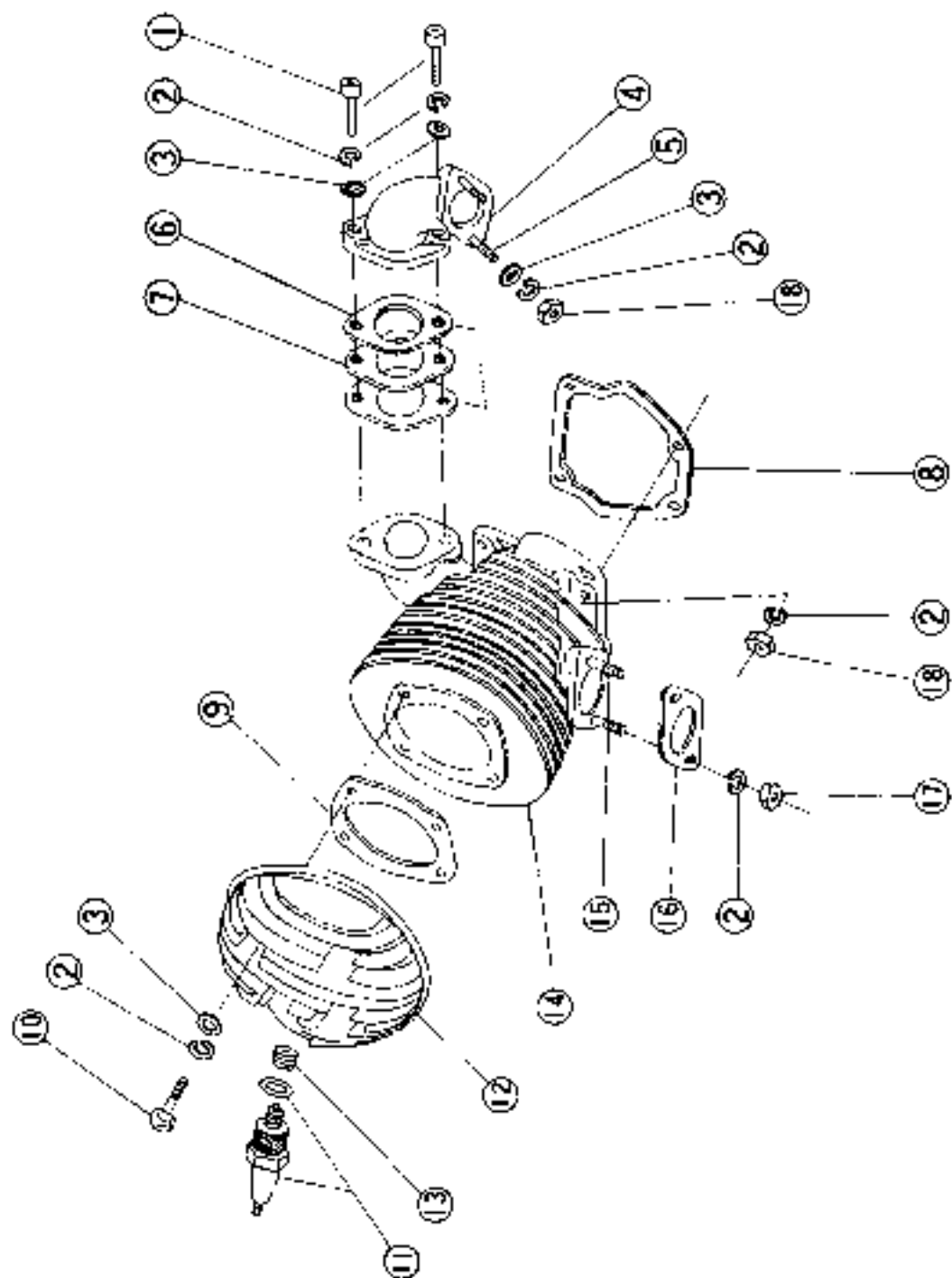
# CRANKCASE



## CRANKCASE

Item	Part Number	Nomenclature	Qty Req.	Remarks	B			C		
					I	II	III	I	II	III
1	835 011 200	Gasket (Crankcase)	1							
2	040 008 160	Screw (Round Head)	3							
3	022 008 201	Spring Washer	3							
4	911 411 200	Bearing Retainer II	1							
5	800 108 060	Bolt (8 × 100 × 15)	1							
6	800 041 200	Crankcase II	1	Includes 7-10						
7	904 008 010	Straight Pin (8 × 16)	4							
8	013 208 350	Stud Bolt	4							
9	911 211 200	Bushing (Crankcase)	2							
10	808 008 010	Grease Nipple	1							
11	808 225 030	Ball Bearing (25 × 52 × 15)	4							
12	806 725 040	Oil Seal (25 × 52 × 18)	1							
13	811 451 210	Spacer (Crankcase)	1							
14	800 021 200	Crankcase I	1	Includes 8, 9.						
15	808 967 010	"O" Ring (67 × 22)	1							
16	831 048 002	Washer	7							
17	832 048 201	Spring Washer	7							
18	800 108 050	Bolt (8 × 65 × 20)	3							
19	800 108 020	Bolt (8 × 48 × 20)	3							
20	022 008 000	Nut	1							

# CYLINDER

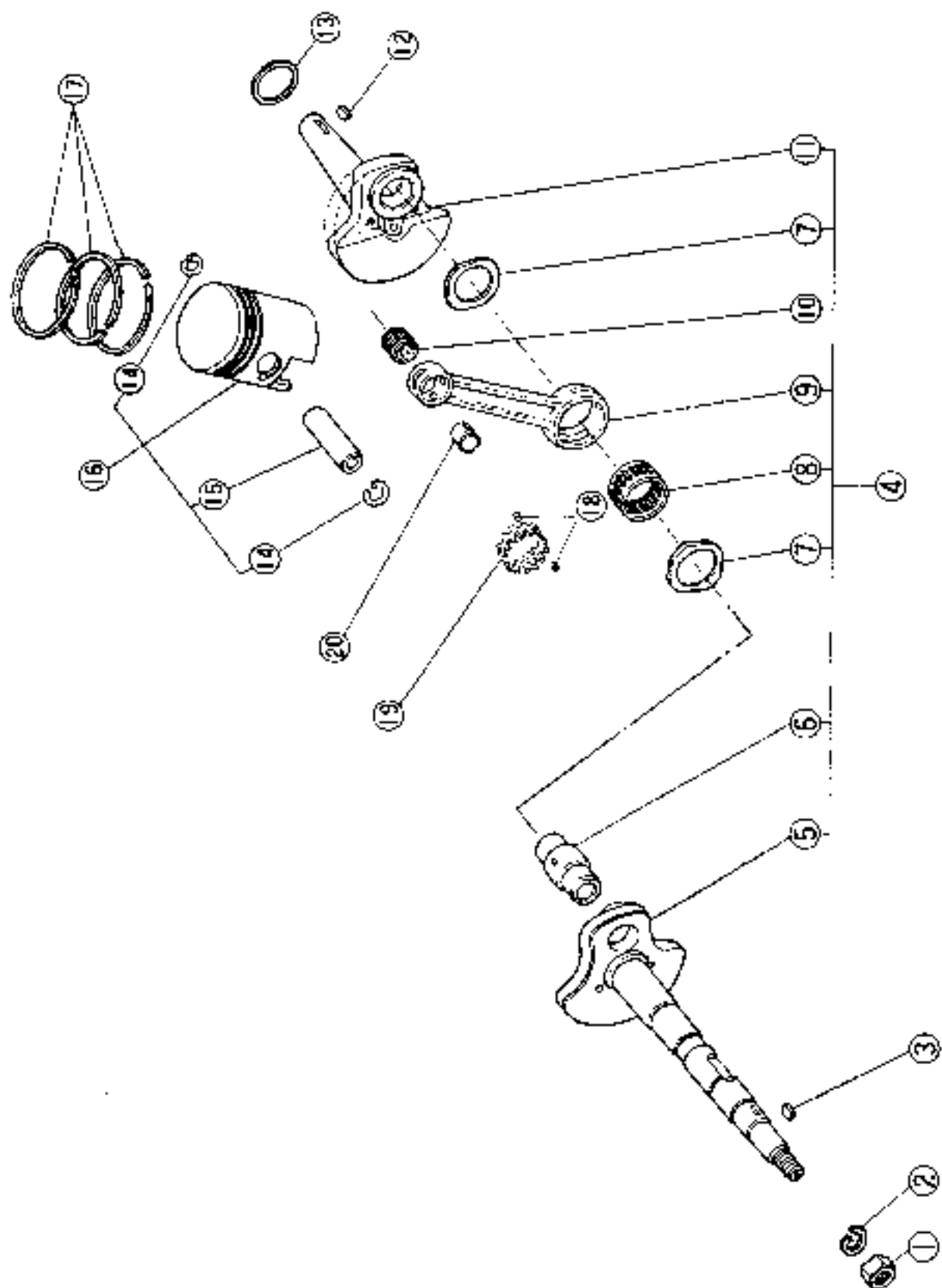


## CYLINDER

Item	Part Number	Nomenclature	Qty Req	Remarks	C	
					B	U
1	000 308 030	Socket Bolt (8/30 x 25)	2			
2	022 008 201	Spring Washer	12			
3	031 008 002	Washer	7			
4	020 241 200	Intake Pipe	1	Includes 5.		
5	013 108 321	Stud Bolt	2			
6	022 101 200	Gasket (Intake Pipe)	2			
7	022 121 200	Insulator (Intake Pipe)	1			
8	012 018 200	Gasket (Cylinder)	1			
9	012 203 200	Gasket (Cylinder Head)	1			
10	000 208 010	Bolt (8x33 x 18)	4			
11	020 543 400	Spark Plug	1			
12	010 243 210	Cylinder Head	1	Includes 13. H-Type		
	010 243 500	Cylinder Head	1	Includes 13. L-Type		
13	012 513 400	Hex-Sert	1			
14	010 203 221	Cylinder	1	Includes 15.		
15	013 108 301	Stud Bolt	2			
16	022 203 200	Gasket (Exhaust Pipe)	1			
17	002 008 030	Nut (8x8)	2			
18	022 008 000	Nut	6			



# PISTON & CRANKSHAFT



## PISTON & CRANKSHAFT

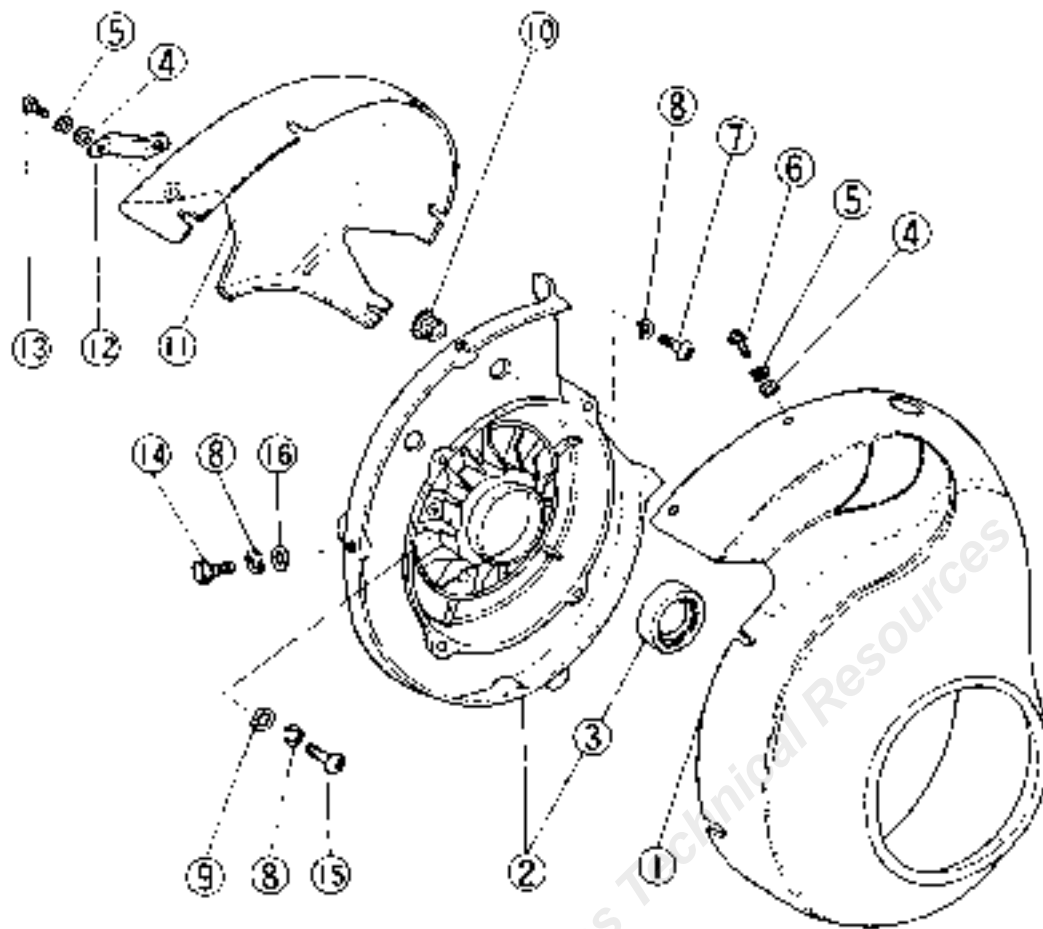
Item	Part Number	Nomenclature	Qty Req.	Remarks	B			C		
					I	II	III	I	II	III
1	021 014 000	Nut	1							
2	022 014 201	Spring Washer	1							
3	004 505 010	Woodruff Key (5×6.5×22)	1							
4	010 301 010	Crankshaft Assembly	1	Consists of 5-11, E/# 59183 and after.						
	* See Note 1	Crankshaft Assembly	1	Consists of 5-7, 9-11, 18, 19, E/# 59182 and before.				X	X	X
5	010 301 010	Crankshaft II Complete	1	Includes 6, E/# 68106 and after.	X	X				
	010 301 000	Crankshaft II Complete	1	Includes 6, E/# 59183-68105.	X	X				
6	010 003 210	Crankshaft II Complete	1	Includes 6, E/# 59182 and before.				X	X	
	013 101 300	Crankpin	1	E/# 59183 and after.	X	X				
7	013 103 200	Crankpin	1	E/# 59182 and before.				X	X	
	003 030 010	Washer (30×43×1)	2	E/# 59183 and after.	X	X				
8	003 025 010	Washer	2	E/# 59182 and before.				X	X	
	006 429 010	Needle Bearing	1	(806429020) E/# 59183 and after.	X	X				
9	013 041 300	Connecting Rod	1	E/# 59183 and after.	X	X				
	010 043 300	Connecting Rod Complete	1	Includes 20, E/# 59182 and before.				X	X	
10	006 410 022	Needle Bearing	1	(806410020) E/# 59183 and after.	X	X				
11	013 011 010	Crankshaft I	1	E/# 68106 and after.	X	X				
	013 011 000	Crankshaft I	1	E/# 68105 and before.				X	X	
12	004 505 020	Woodruff Key (5×6.5×22)	1							
13	003 027 011	Washer	4-2							
14	005 318 010	Circlip (Inner-18)	2							
15	013 501 202	Piston Pin	1							
16	000 053 320	Piston Set "STD"	1	Includes 14, 15.						
17	000 031 200	Piston Ring Set "STD"	1	(800312000)						
18	006 106 010	Needle Roller	24	E/# 59182 and before				X	X	
19	013 301 210	Needle Roller Retainer	1	E/# 59182 and before.				X	X	
20	013 301 211	Bushing (Connecting Rod)	1	E/# 59182 and before.				X	X	

Note 1: For E/# 68106 and before, use 810301310 Crankshaft Assembly together with 806410020 Needle Bearing.

## OVER SIZE PISTON & PISTON RING

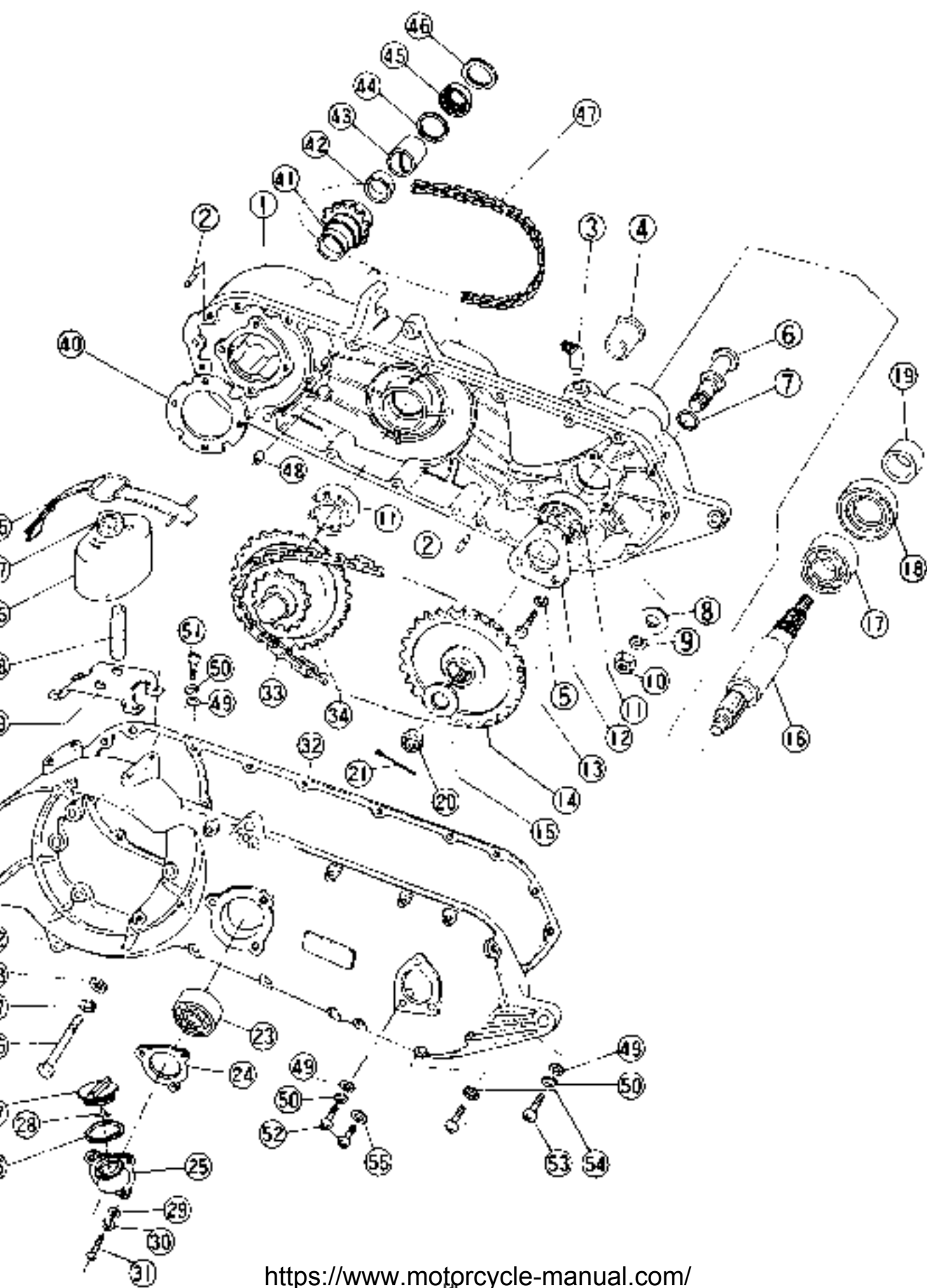
Item	Part Number	Nomenclature	Qty Req.	Remarks	C		
					1	2	UL
	880 053 321	Piston Set "0.04 OS"	1				
	880 053 322	Piston Set "0.25 OS"	1	.10/1000 inch over size) Includes 14, 15.			
	880 053 323	Piston Set "0.50 OS"	1	.20/1000 inch over size) Includes 14, 15.			
	880 053 324	Piston Set "0.75 OS"	1	.30/1000 inch over size) Includes 14, 15.			
	880 053 325	Piston Set "1.00 OS"	1	.40/1000 inch over size) Includes 14, 15.			
	880 053 326	Piston Set "1.25 OS"	1	.50/1000 inch over size) Includes 14, 15.			
	880 031 201	Piston Ring Set "0.125 OS"	1	.15/1000 inch over size)			
	880 031 202	Piston Ring Set "0.250 OS"	1	.30/1000 inch over size)			
	880 031 203	Piston Ring Set "0.500 OS"	1	.50/1000 inch over size)			
	880 031 204	Piston Ring Set "0.750 OS"	1	.75/1000 inch over size)			
	880 031 205	Piston Ring Set "1.000 OS"	1	1.00/1000 inch over size)			
	880 031 206	Piston Ring Set "1.250 OS"	1	1.25/1000 inch over size)			

## FAN COVER



Item	Part Number	Nomenclature	Qty Req.	Remarks	C	
					H	(11)
1	810 623 400	Fan Cover	1			
2	810 131 210	Crankcase Cover	1	Includes 3		
3	808 724 010	Oil Seal (24.8 - 45 - 12)	1			
4	031 105 002	Washer	6			
5	032 005 201	Spring Washer	6			
6	016 305 081	Bolt	5			
7	040 006 150	Screw (Round Head)	4			
8	032 006 201	Spring Washer	13			
9	031 006 002	Washer	9			
10	825 781 210	Grommet (Cord)	1			
11	810 858 400	Shroud	1			
12	816 543 400	Bracket (Shroud)	1			
13	018 305 101	Bolt	1			
14	016 306 121	Bolt	4			
15	040 006 200	Screw (Round Head)	5			
16	031 106 002	Washer	4			

# CHAINCASE



### CHAINCASE

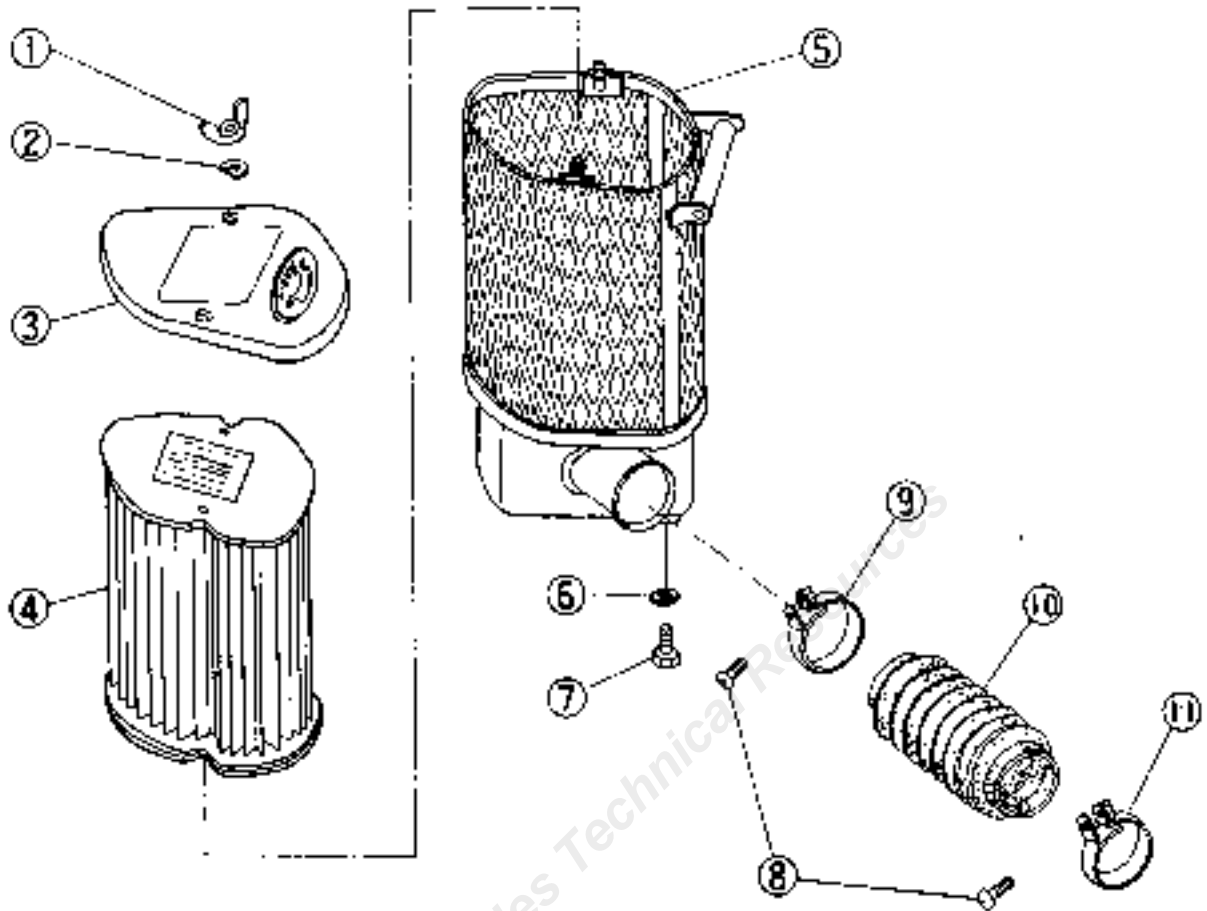
Item	Part Number	Nomenclature	Qty Req.	Remarks	B			C		
					1	10	100	1	10	100
1	090 081 310	Chaincase	1	Includes 2-4. E/# 70761 and after.	X	X	X	0	0	0
	See Note 1	Chaincase	1	Includes 2-4. E/# 70760 and before.	0	0	0	0	X	X
2	004 008 010	Straight Pin (8×16)	2		0	0	0	0	0	0
3	009 005 010	Grease Nipple	1		0	0	0	0	0	0
4	035 031 200	Bushing (Chaincase)	1		0	0	0	0	0	0
5	032 008 201	Spring Washer	3		0	0	0	0	0	0
6	035 201 210	Brake Heel Pin	1		0	0	0	0	0	0
7	006 010 010	"O" Ring (10.5×2.25)	1		0	0	0	0	0	0
8	031 014 002	Washer	1		0	0	0	0	0	0
9	032 014 201	Spring Washer	1		0	0	0	0	0	0
10	022 014 000	Nut	1		0	0	0	0	0	0
11	003 282 040	Ball Bearing	2		0	0	0	0	0	0
12	035 133 400	Bearing Retainer	1		0	0	0	0	0	0
13	018 308 101	Bolt	3		0	0	0	0	0	0
14	035 711 300	Final Driven Sprocket (H)	1	H-Type	X	0	0	0	0	0
	035 711 200	Final Driven Sprocket (L)	1	L-Type	0	0	0	0	0	0
15	003 015 010	Washer (15×30×2.3)	1		0	0	0	0	0	0
16	035 121 210	Wheel Axle (R)	1		0	0	0	0	0	0
17	000 203 040	Ball Bearing	1		0	0	0	0	0	0
18	008 735 030	Oil Seal	1		0	0	0	0	0	0
19	035 141 200	Spacer (Wheel Axle, R)	1		0	0	0	0	0	0
20	002 214 020	Castle Nut (14×10)	1		0	0	0	0	0	0
21	051 030 200	Cotter Pin	1		0	0	0	0	0	0
22	030 513 010	Chaincase Cover (H)	1	Includes 23-31. H-Type	X	0	0	0	0	0
	030 513 510	Chaincase Cover (L)	1	Includes 23-31. L-Type	0	0	0	0	0	0
23	003 282 040	Ball Bearing	1		0	0	0	0	0	0
24	035 401 200	Gasket	1		0	0	0	0	0	0
25	035 413 200	Oil Filler (Chaincase)	1		0	0	0	0	0	0
26	007 120 000	Gasket (Fiber)	1		0	0	0	0	0	0
27	030 533 200	Oil Filler Cap	1	Includes 28.	0	0	0	0	0	0
28	035 433 200	Shelter	1		0	0	0	0	0	0
29	001 006 002	Washer	3		0	0	0	0	0	0
30	032 006 201	Spring Washer	3		0	0	0	0	0	0
31	040 006 200	Screw (Round Head)	3		0	0	0	0	0	0
32	035 301 200	Gasket (Chaincase Cover)	1		0	0	0	0	0	0
33	008 040 050	Secondary Chain	1		0	0	0	0	0	0
34	041 271 300	Primary Driven Sprocket (H)	1	H-Type	X	0	0	0	0	0
	041 271 210	Primary Driven Sprocket (L)	1	L-Type	0	0	0	0	0	0
35	043 671 220	Band	1		0	0	0	0	0	0
36	043 561 210	Oil Tank	1	Includes 37.	0	0	0	0	0	0

## CHAINCASE

Item	Part Number	Nomenclature	Qty Req.	Remarks	R			C		
					I	II	III	I	II	III
37	853 581 230	Oil Tank Cap	1							
38	843 553 210	Hose (Oil Tank)	1							
39	843 851 210	Bracket	1							
40	843 481 200	Spacer	1							
41	840 133 480	Primary Drive Sprocket	1	Includes 42-46.						
42	841 223 420	Bushing I	1							
43	841 243 480	Bushing II	1							
44	883 024 010	Washer (24×32×0.5)	1							
45	886 722 010	Oil Seal (22×32×7)	1							
46	883 022 020	Washer (22.6×36.5×1.8)	1							
47	841 251 800	Primary Chain	1				X			
	841 251 200	Primary Chain	1				X	X	X	
48	835 323 400	Spacer (Chaincase)	1				X			
49	081 886 002	Washer	18							
50	082 886 201	Spring Washer	18							
51	040 806 120	Screw (Round Head)	4							
52	040 806 190	Screw (Round Head)	3							
53	040 806 300	Screw (Round Head)	13							
54	837 106 000	Gasket (Fibre)	1							
55	835 873 200	Spacer (Chaincase)	1							
56	800 208 110	Bolt (8×75×20)	6							
57	832 008 281	Spring Washer	6							
58	831 008 082	Washer	6							
59	881 006 830	Screw (6×60)	1	E/# 70880 and before.						X

Note 1 : For E/# 70761 and before, use 880081310 Chaincase together with 830513610 Chaincase Cover (H-Type) or 830513510 Chaincase Cover (L-Type).

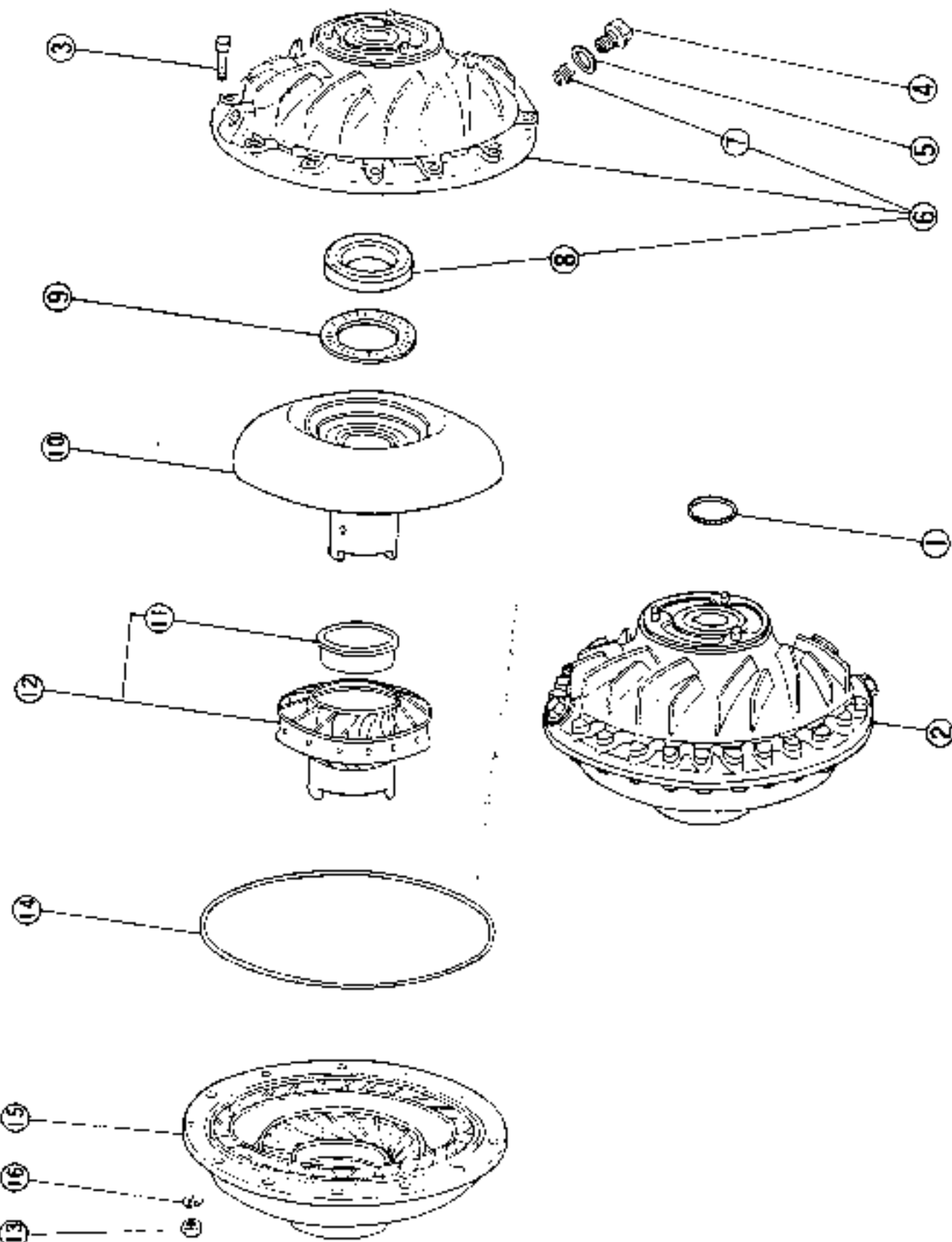
## AIR CLEANER



Item	Part Number	Nomenclature	Qty Req.	Remarks	C		
					B	I	II
1	002 405 010	Wing Nut (5×5)	2		0	0	0
2	022 005 206	Spring Washer	2		0	0	0
3	020 171 210	Air Cleaner Case Cover	1	(820173310)	0	0	0
4	021 451 220	Element (Air Cleaner)	1		0	0	0
5	020 151 220	Air Cleaner Case	1		0	0	0
6	037 106 000	Gasket (Fibre)	1		0	0	0
7	016 308 101	Bolt	1		0	0	0
8	040 004 180	Screw (Round Head)	2		0	0	0
9	020 131 200	Hose Clamp	1		0	0	0
10	021 703 400	Hose (Air Cleaner)	1	E/ # 62416 and after.	x	x	0
	021 701 210	Hose (Air Cleaner)	1	E/ # 62415 and before.	0	0	x
11	022 201 000	Hose Clamp	1	E/ # 62416 and after.	x	x	0



# TORQUE CONVERTER (A)



## TORQUE CONVERTER (A)

Item	Part Number	Nomenclature	Qty Req.	Remarks	B			C		
					I	II	III	I	II	III
1	806 818 020	"O" Ring (18×2.9)	1		○	○	○	○	○	○
2	849 883 420	Torque Converter	1		✓	○	○	○	○	○
	* See Note 1	Torque Converter	1		×	○	○	○	○	○
3	808 105 840	Bolt (5×21×10)	12		○	○	○	○	○	○
4	807 008 850	Plug (8×9.5)	2		○	○	○	○	○	○
5	803 908 810	Gasket (8.2×16×2)	2		○	○	○	○	○	○
6	848 303 400	Impeller Case	1	Includes 7, 8.	○	○	○	○	○	○
	* See Note 2	Impeller Case	1		○	×	×	×	○	○
7	843 033 400	Heli-Sert	2		○	○	○	○	○	○
8	843 203 410	Collar (Turbine Hub)	1	E/ # 34859 and after.	○	○	○	○	○	○
9	808 534 810	Thrust Bearing	1	E/ # 34859 and after.	○	○	○	○	○	○
	808 538 810	Thrust Bearing	1	E/ # 34858 and before.	○	○	○	○	×	×
10	848 323 420	Turbine	1		○	○	○	○	○	○
11	843 293 410	Bushing (Reactor Hub)	1		○	○	○	○	○	○
12	848 333 410	Reactor	1	Includes 11.	○	○	○	○	○	○
13	821 005 880	Nut	22	(022005000)	○	○	○	○	○	○
14	806 800 010	"O" Ring (150×2.2)	1		○	○	○	○	○	○
15	840 813 410	Impeller	1		○	○	○	○	○	○
16	032 005 201	Spring Washer	22		○	○	○	○	○	○

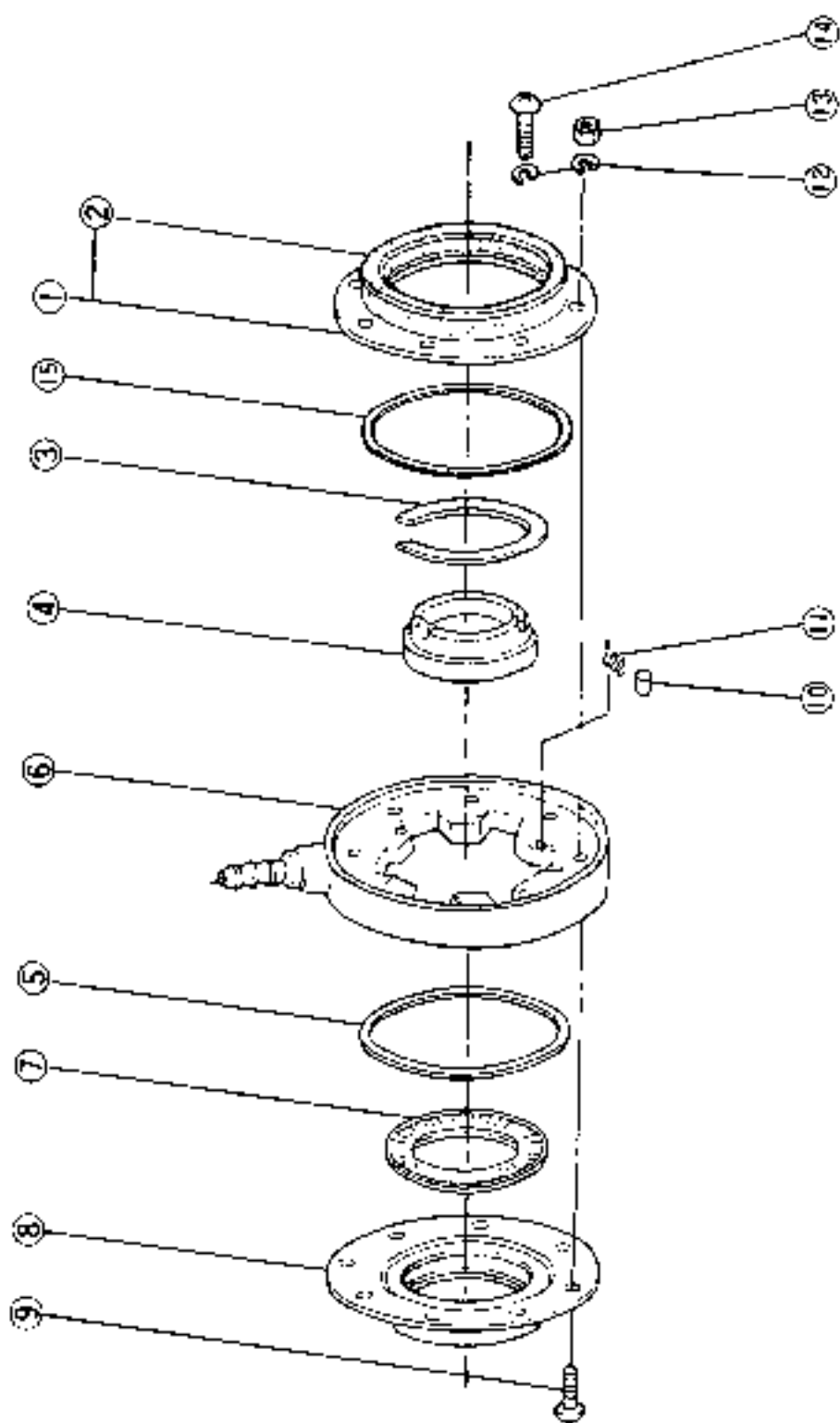
Note 1: For S601B, use 849983420 Torque Converter together with following parts.

Note 2: (a) For E/ # 34858 and before, use 840303400 Impeller Case together with 806534010 Thrust Bearing and following parts.

(b) For E/ # 34858-50000, use 840303400 Impeller Case together with following parts.

826 813 400	Gasket	1
843 213 400	Pulley	1
843 223 400	Hook Plate	1
032 006 201	Spring Washer	3
040 808 120	Screw (Round Head)	3

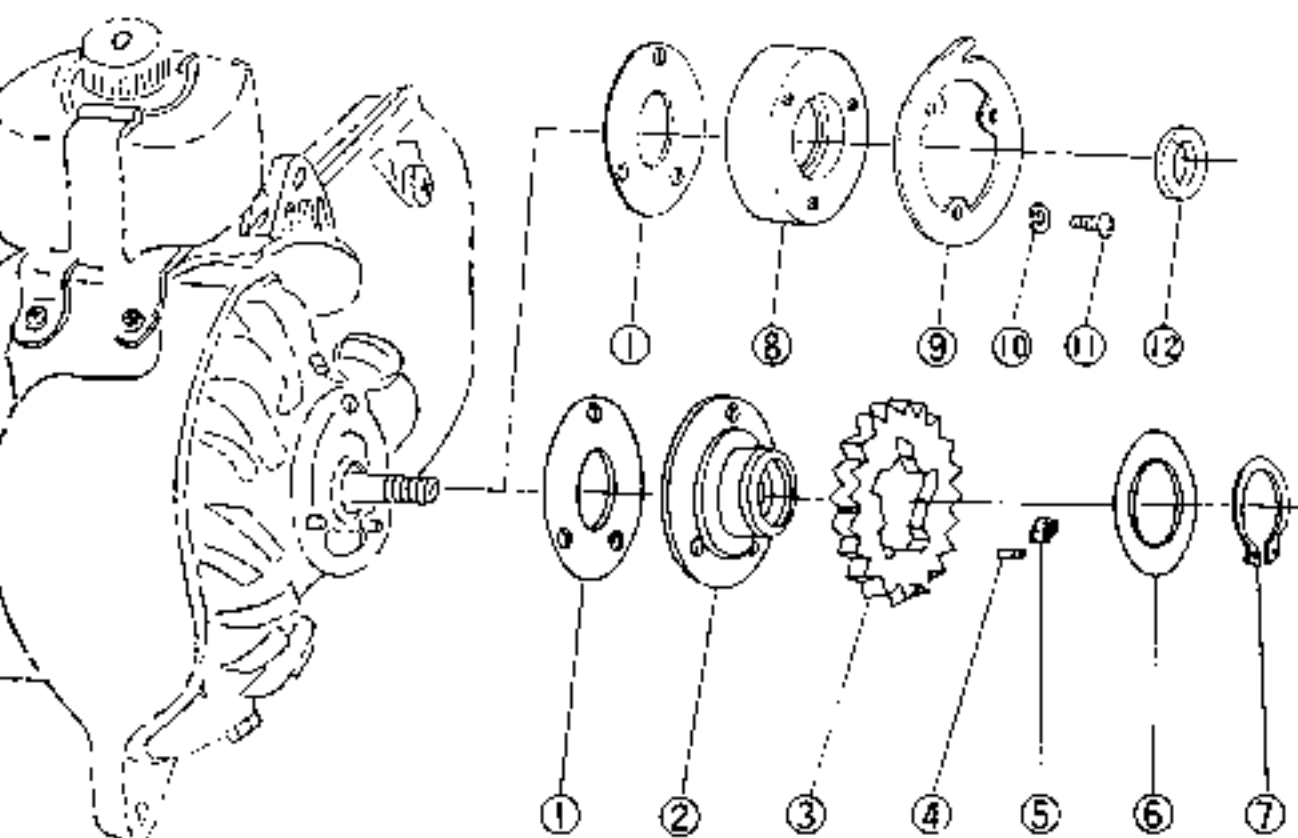
# TORQUE CONVERTER .B:



## TORQUE CONVERTER (B)

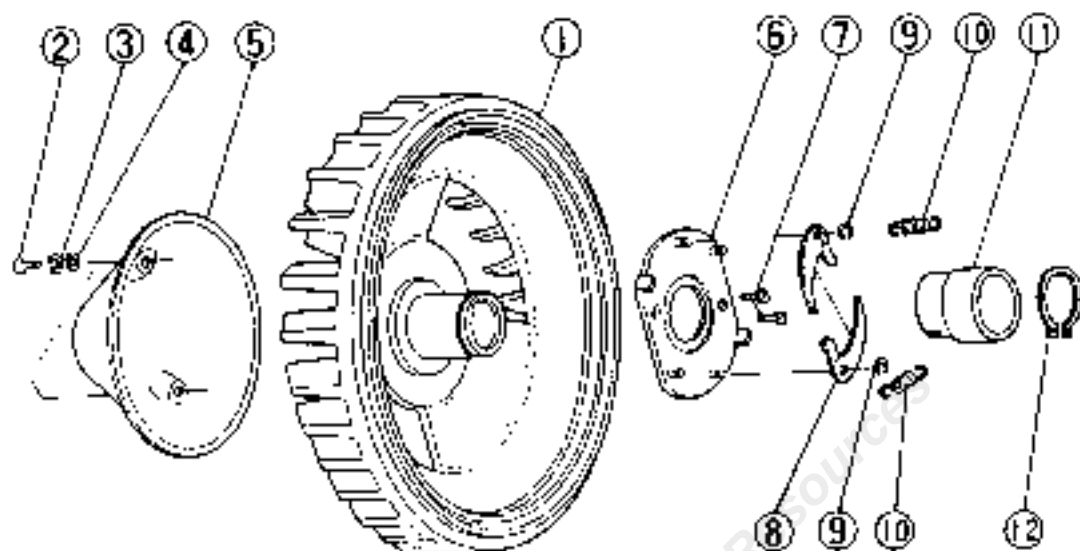
Item	Part Number	Nomenclature	Q'ty Req.	Remarks	R	C		
						I	II	III
1	848 973 410	Free Wheel Assembly	1	Consists of 1 - 16. E/# 67301 and after.	X	X	0	0
	848 973 400	Free Wheel Assembly	1	Consists of 1 - 16. E. # 67300 and before.	0	0	0	X
	840 973 400	Oil Seal Complete	1	Includes 2. E/# 67301 and after.	X	X	0	0
	843 453 400	Oil Seal J	1	E/# 67300 and before.	0	0	0	X
	886 750 010	Oil Seal	1	E/# 67301 and after.	X	X	0	0
	843 353 410	Roller Retainer	1		0	0	0	0
	843 383 420	Inner Race	1	(840343400)	0	0	0	0
	843 413 420	Gasket (Free Wheel, Outer)	1		0	0	0	0
	840 353 400	Outer Race	1		0	0	0	0
	886 534 010	Thrust Bearing	1		0	0	0	0
	843 463 400	Oil Seal D	1		0	0	0	0
	887 005 010	Screw (5×20×20)	4		0	0	0	0
	886 108 010	Roller (8×8)	6		0	0	0	0
	843 383 410	Spring	6	(840383400)	0	0	0	0
	832 005 201	Spring Washer	8		0	0	0	0
832 005 000	Nut	4		0	0	0	0	
801 005 020	Screw (5 - 25×25)	4		0	0	0	0	
15	868 983 010	"O" Ring	1	E/# 67301 and after.	X	X	0	0
	843 413 420	Gasket (Free Wheel, Outer)	1	E/# 67300 and before.	0	0	0	X

## KICK PINION



Item	Part Number	Nomenclature	Qty Req.	Remarks	C		
					B	I	II
1	026 013 400	Gasket (Pinion Shaft)	1				
2	026 023 400	Pinion Shaft	1		✓		
3	026 133 400	Kick Pinion	1		✓		
4	006 106 020	Roller (6 x 7.8)	5		×		
5	026 111 800	Roller Retainer	5		×		
6	003 032 010	Washer (32 x 50 x 1.0)	1		×		
7	005 032 010	Snap Ring (Outer-32)	1		✓		
8	043 213 400	Pulley	1			×	✓
9	043 223 400	Hook Plate	1			×	×
10	032 006 201	Spring Washer	3			×	×
11	040 006 120	Screw (Round Head)	3			×	×
12	003 018 020	Washer (16.2 x 32 x 32)	1			×	×

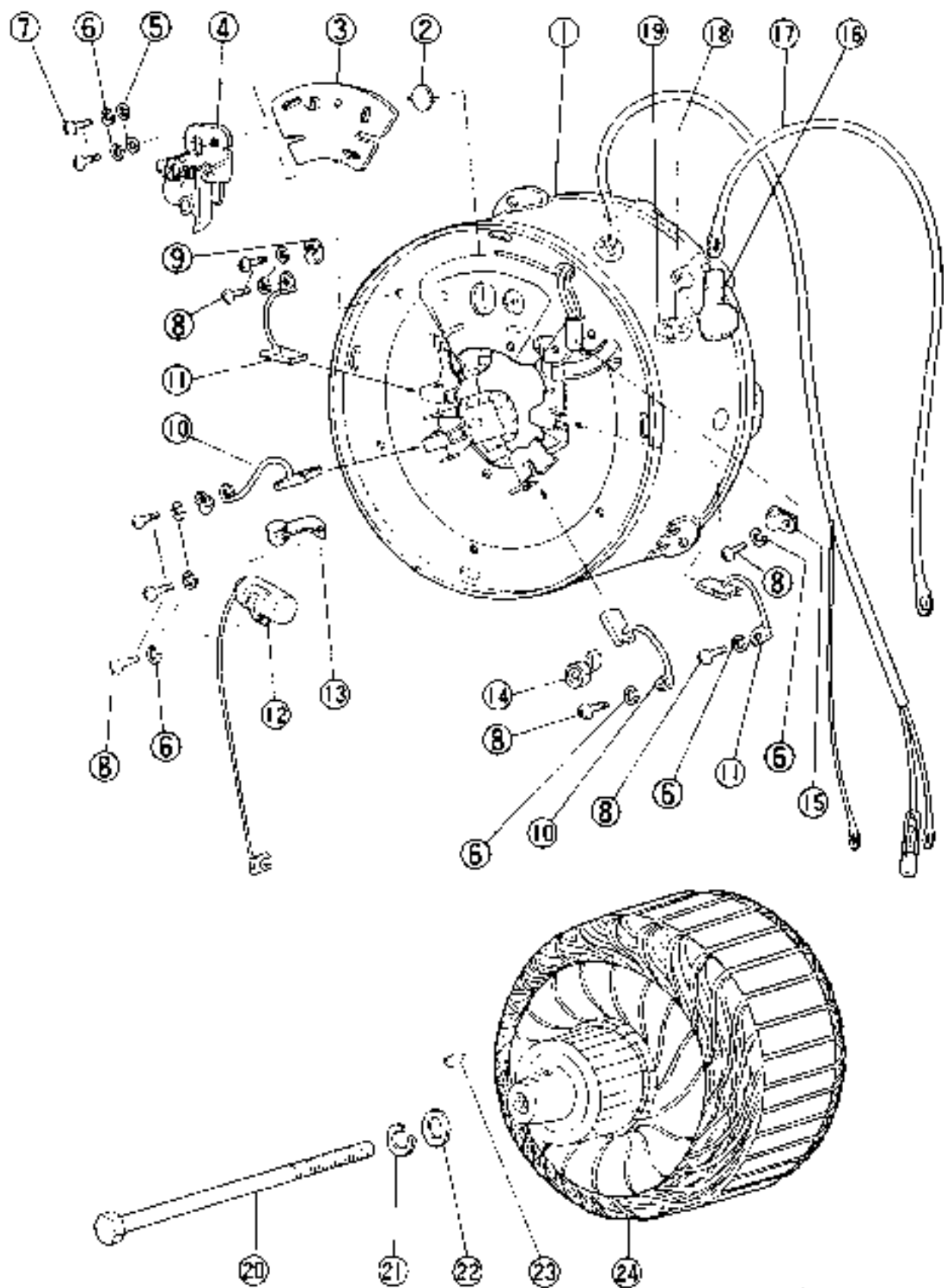
## STARTER DYNAMO (A) (KOKUSAN)



Item	Part Number	Nomenclature	Qty Req.	Remarks	C		
					R	I	III
	028 023 210	Starter Dynamo Assembly	1	Consists of (A) & (B).	✓		✓
1	036 003 204	Fan	1	Includes 2-12.	×		✓
2	043 005 140	Screw (Fan Head)	2		×	✓	✓
3	032 005 201	Spring Washer	2		×	✓	✓
4	031 005 000	Washer	2		✓	✓	✓
5	006 023 204	Spinner	1		×	✓	✓
6	006 253 204	Governor Plate	1		×	✓	✓
7	006 363 204	Screw	2		×	✓	✓
8	006 273 204	Governor Weight	2		×	✓	✓
9	006 323 204	Clip	2		×	✓	✓
10	006 293 204	Spring	2		×	✓	✓
11	006 283 204	Cam	1		×	✓	✓
12	006 333 204	Snap Ring	1		×	✓	✓

Note: Starter Dynamo parts (Hiradet) for 560LB are not available.

STARTER DYNAMO (B) (KOKUSAN)



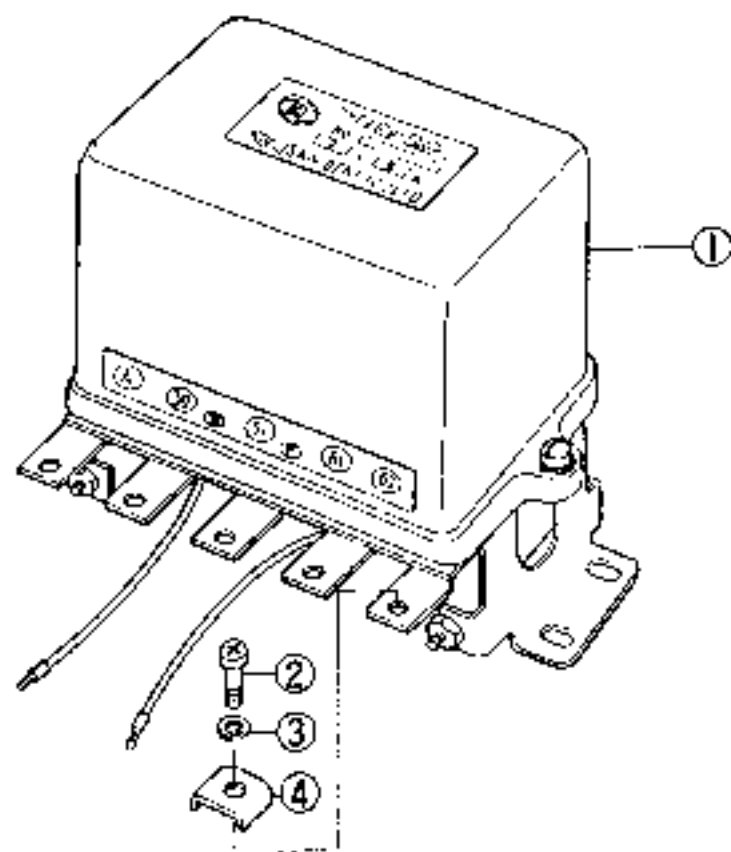
**STARTER DYNAMO (B) (KOKUSAN)**

Item	Part Number	Nomenclature	Qty Req.	Remarks	B	C		
						1	2	3
1	886 033 204	Stator Assembly	1	Includes 2-19.	✓			
2	886 123 204	Adjuster	1		×			
3	886 063 204	Adjusting Plate	1		✓			
4	886 083 204	Contact Breaker	1		✓			
5	031 104 000	Washer	3		✓			
6	032 004 201	Spring Washer	11		×			
7	886 353 204	Screw	3		×			
8	886 321 004	Screw	8		×			
9	886 153 204	Clamp	2		✓			
10	886 053 204	Brush	2		✓			
11	886 063 204	Brush	2		✓			
12	886 133 204	Condenser	1		×			
13	886 243 204	Oil Felt	1		×			
14	886 073 204	Spring	4		×			
15	886 163 204	Clamp	1		×			
16	886 173 204	Rubber Cap	1		×			
17	886 143 204	Wire	1		×			
18	886 383 204	Nut	2		×			
19	032 006 201	Spring Washer	2		×			
20	886 303 204	Bolt	1		×			
21	032 010 201	Spring Washer	1		×			
22	031 110 001	Washer	1		✓			
23	886 313 204	Woodruff Key	1		×			
24	886 013 204	Armature	1		×			

Note Starter Dynamo parts illustrated for S601B are not available

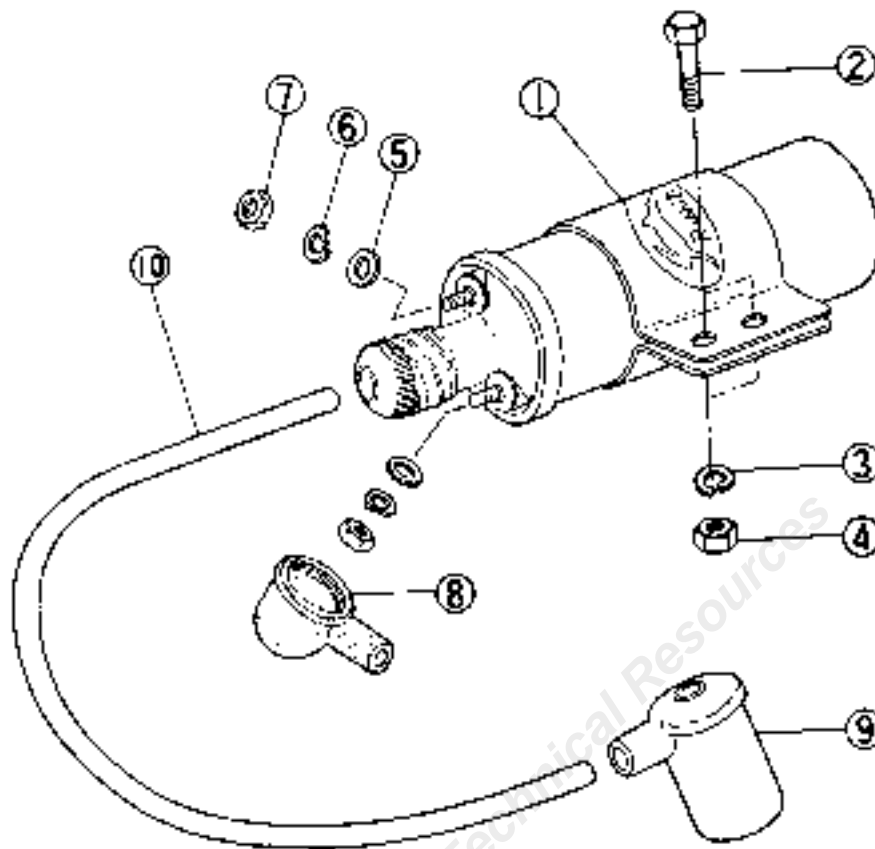


## REGULATOR (KOKUSAN)



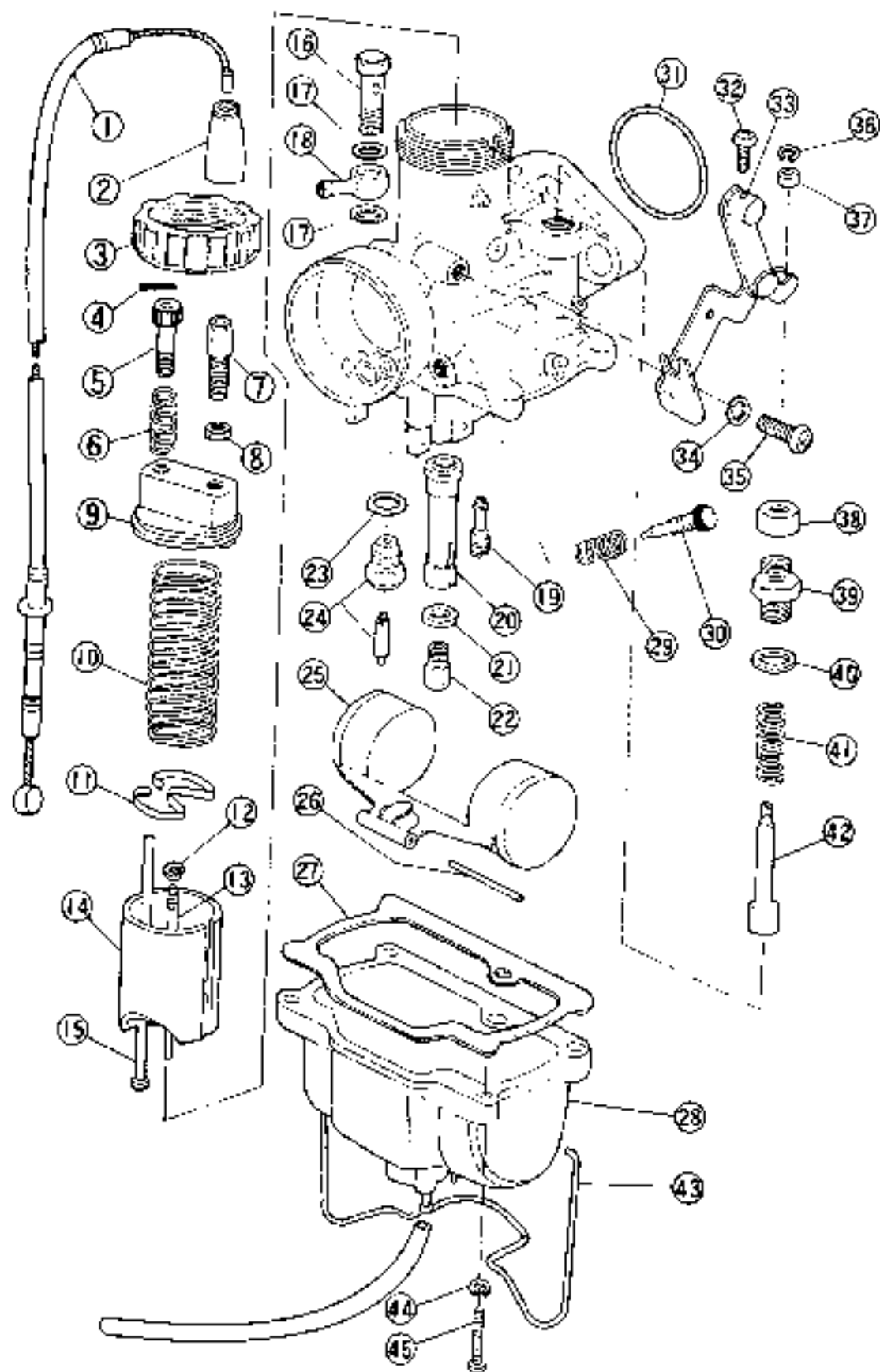
Item	Part Number	Nomenclature	Qty Req.	Remarks	C			
					B	I	II	III
1	820 003 210	Regulator Assembly	1	1829893310; Includes 2 - 4.				
2	043 005 080	Screw (Pan Head)	4					
3	032 003 201	Spring Washer	4					
4	803 505 020	Lock Washer (5.2x10x0.8)	4					

## IGNITION COIL



Item	Part Number	Nomenclature	Qty Req.	Remarks	C		
					B	I	III
1	029 003 200	Coil and Ignition Coil	1	Includes 2-10.	○	○	○
2	016 306 140	Bolt	2		○	○	○
3	022 006 201	Spring Washer	2		○	○	○
4	022 006 110	Nut	2		○	○	○
5	031 005 000	Washer	2		○	○	○
6	032 005 201	Spring Washer	2		○	○	○
7	022 005 000	Nut	2		○	○	○
8	001 381 200	Rubber Cap	1		○	○	○
9	025 851 600	Spark Plug Cap	1		○	○	○
10	025 713 400	High Tension Cord	1		○	○	○

CARBURETOR (MIKUNI) : E: 62416 and after



**CARBURETOR (MIKUNI) : E/#62416 and after**

Item	Part Number	Nomenclature	Qty Req.	Remarks	B	C	D	E
	829 973 000	Carburetor Assembly (H)	1	Includes 2-45. H-Type	X			
	829 973 410	Carburetor Assembly (L)	1	Includes 2-45. L-Type	X			
1	820 291 220	Throttle Cable	1		X			
2	894 133 403	Rubber Cap	1		X			
3	894 113 403	Mixing Chamber Cap	1		X			
4	051 012 100	Cotter Pin	1		X			
5	894 283 403	Throttle Adjuster	1		X			
6	894 383 403	Spring (Throttle Adjuster)	1		X			
7	894 123 483	Cable Adjuster	1		X			
8	894 293 403	Lock Nut (Cable Adjuster)	1		X			
9	894 283 483	Mixing Chamber Cap	1		X			
10	894 703 413	Spring (Throttle Valve)	1		X			
11	894 223 483	Circclip	1		X			
12	894 213 483	Clip (Jet Needle)	1		X			
13	894 073 483	Jet Needle	1		X			
14	894 083 483	Throttle Valve	1		X			
15	894 273 483	Throttle Bar	1		X			
16	894 313 483	Banjo Bolt	1		X			
17	037 108 000	Gasket (Fibret)	2		X			
18	894 323 403	Banjo Connection	1		X			
19	894 253 403	Pilot Jet	1		X			
20	894 053 403	Needle Jet	1		X			
21	894 383 403	Washer	1		X			
22	894 043 403	Main Jet (#110)	1	H-Type	X			
	894 043 403	Main Jet (#100)	1	L-Type	X			
23	894 203 403	Washer	1		X			
24	894 033 403	Needle Valve	1		X			
25	894 013 403	Float	1		X			
26	894 093 403	Float Pin	1		X			
27	894 083 413	Gasket (Float Chamber)	1	E/# 71324 and after.	X	X		
	894 083 403	Gasket (Float Chamber)	1	E/# 71323 and before.	X			
28	894 023 473	Float Chamber Body	1	E/# 71324 and after.	X	X		
	894 023 403	Float Chamber Body	1	E/# 71323 and before.	X			
29	894 153 403	Spring (Pilot Air Screw)	1		X			
30	894 143 403	Pilot Air Screw	1		X			
31	894 233 403	"O" Ring	1		X			
32	043 004 080	Screw (Pan Head)	1		X			
33	894 333 403	Starter Arm	1		X			
34	032 005 000	Spring Washer	1		X			
35	043 005 080	Screw (Pan Head)	1		X			

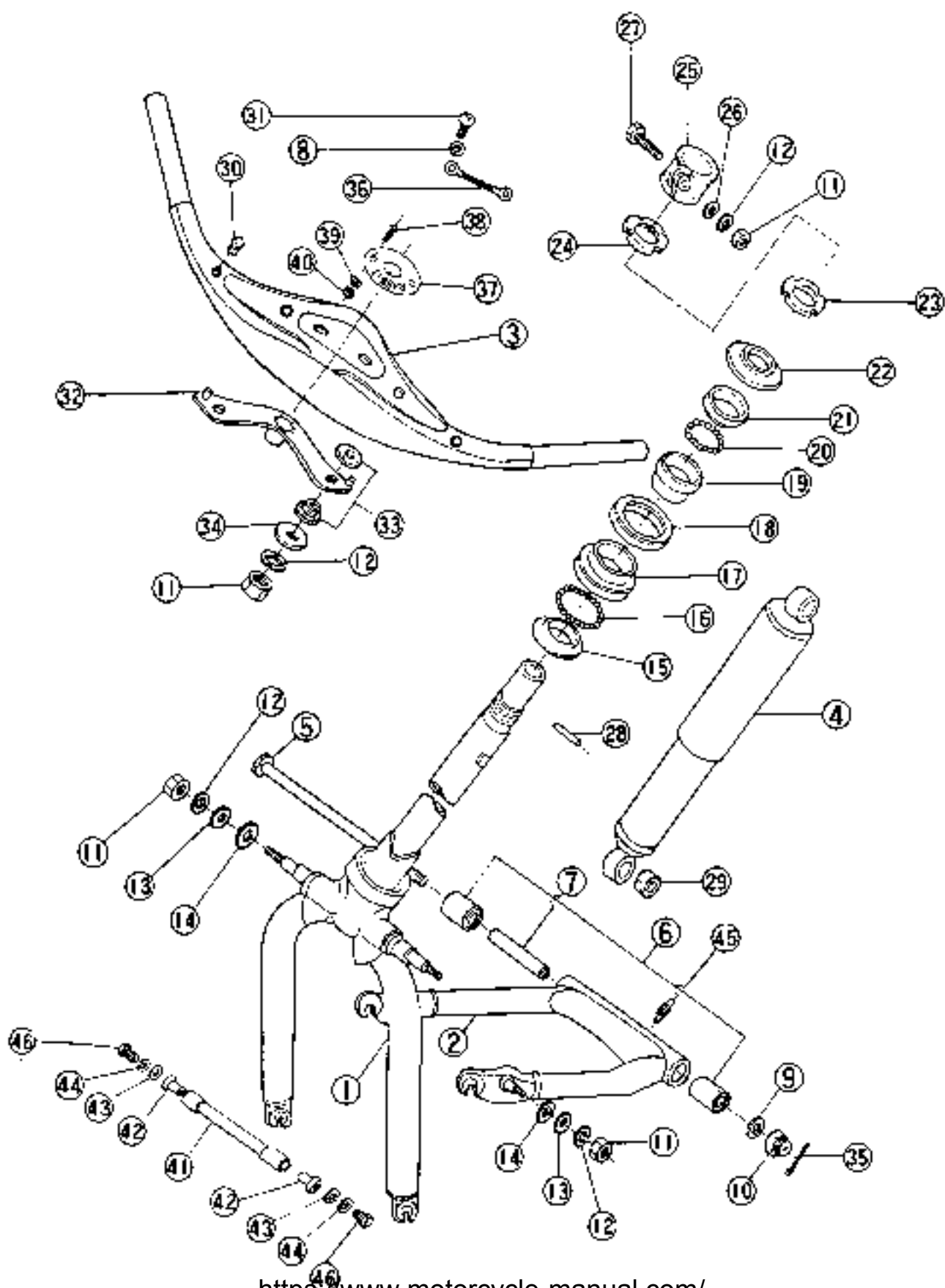
**CARBURETOR (MIKUNI) : E/#62416 and after**

Item	Part Number	Nomenclature	Qty Req.	Remarks	B			C		
					I	II	III	I	II	III
36	884 363 403	"E" Ring	1		X					
37	884 343 403	Plate	1		X					
38	884 353 403	Rubber Cap	1		X					
39	884 183 403	Starter Plunger Cap	1		X					
40	884 383 403	Washer	1		X					
41	884 173 403	Return Spring	1		X					
42	884 183 403	Starter Plunger	1		X					
43	884 413 403	Clip (Float Chamber)	1	E/# 71324 and after.	X	X				
44	882 004 201	Spring Washer	4	E/# 71323 and before.	X					
45	843 004 120	Screw (Pan Head)	4	E/# 71323 and before	X					

# BODY

Classic Cycles Technical Resources

# HANDLEBAR & FRONT FORK



## HANDLEBAR & FRONT FORK

Qty	Part Number	Nomenclature	Q'ty Req.	Remarks	C			
					B	I	II	III
1	051 878 000	Front Fork	1		○	○	○	○
2	221 300 070	Front Link	1	C/# 73251 and after	x	x	x	○
	051 483 000	Front Link	1	C/# 73250 and before	○	○	○	○
3	221 530 020	Handlebar	1		x	x	○	○
	051 047 000	Handlebar	1		○	○	x	x
4	229 000 000	Shock Absorber Unit (F)	2	Includes 29.	○	○	○	○
5	101 977 000	Shaft	1	(169114000) C/# 73250 and before	○	○	○	○
6	101 006 000	Rubber Bushing	2	C/# 73250 and before	○	○	○	○
7	101 009 000	Bushing	1	C/# 73250 and before	○	○	○	○
8	032 004 000	Spring Washer	1		○	○	○	○
9	104 102 000	Washer	As req.	C/# 73250 and before	○	○	○	○
10	023 112 000	Castle Nut	1	C/# 73250 and before	○	○	○	○
11	021 008 110	Nut	7		○	○	○	○
12	032 008 000	Spring Washer	7		○	○	○	○
13	102 072 000	Washer	4		○	○	○	○
14	102 074 000	Washer	4		○	○	○	○
15	150 100 000	Seat (Lower)	1		○	○	○	○
16	000 010 400	Steel Ball $\frac{1}{8}$ Dia.	24		○	○	○	○
17	150 100 000	Retainer (Lower)	1		○	○	○	○
18	150 017 000	Cover (Lower)	1		○	○	○	○
19	150 010 000	Retainer (Upper)	1		○	○	○	○
20	000 031 000	Steel Ball $\frac{1}{8}$ Dia.	28		○	○	○	○
21	150 010 000	Seat (Upper)	1		○	○	○	○
22	100 043 000	Cover (Upper)	1		○	○	○	○
23	150 021 000	Nut	1		○	○	○	○
24	150 022 000	Lock Nut	1		○	○	○	○
25	150 010 000	Bracket	1		○	○	○	○
26	031 008 000	Washer	1		○	○	○	○
27	015 008 350	Bolt	1		○	○	○	○
28	150 131 000	Straight Pin	1		○	○	○	○
29	102 276 000	Rubber Bushing	4		○	○	○	○
30	105 002 000	Rubber Plug	3		○	○	○	○
31	043 004 100	Screw (Pan Head)	1		○	○	○	○
32	221 535 070	Bracket	1		x	x	○	○
	105 061 000	Bracket	1		○	x	x	○
33	105 058 010	Cushion Rubber	4		○	○	○	○
34	105 058 000	Washer	2		○	○	○	○
35	051 030 250	Cotter Pin	1	C/# 73250 and before	○	○	○	○
36	105 710 000	Earth Cord	1		○	○	○	○

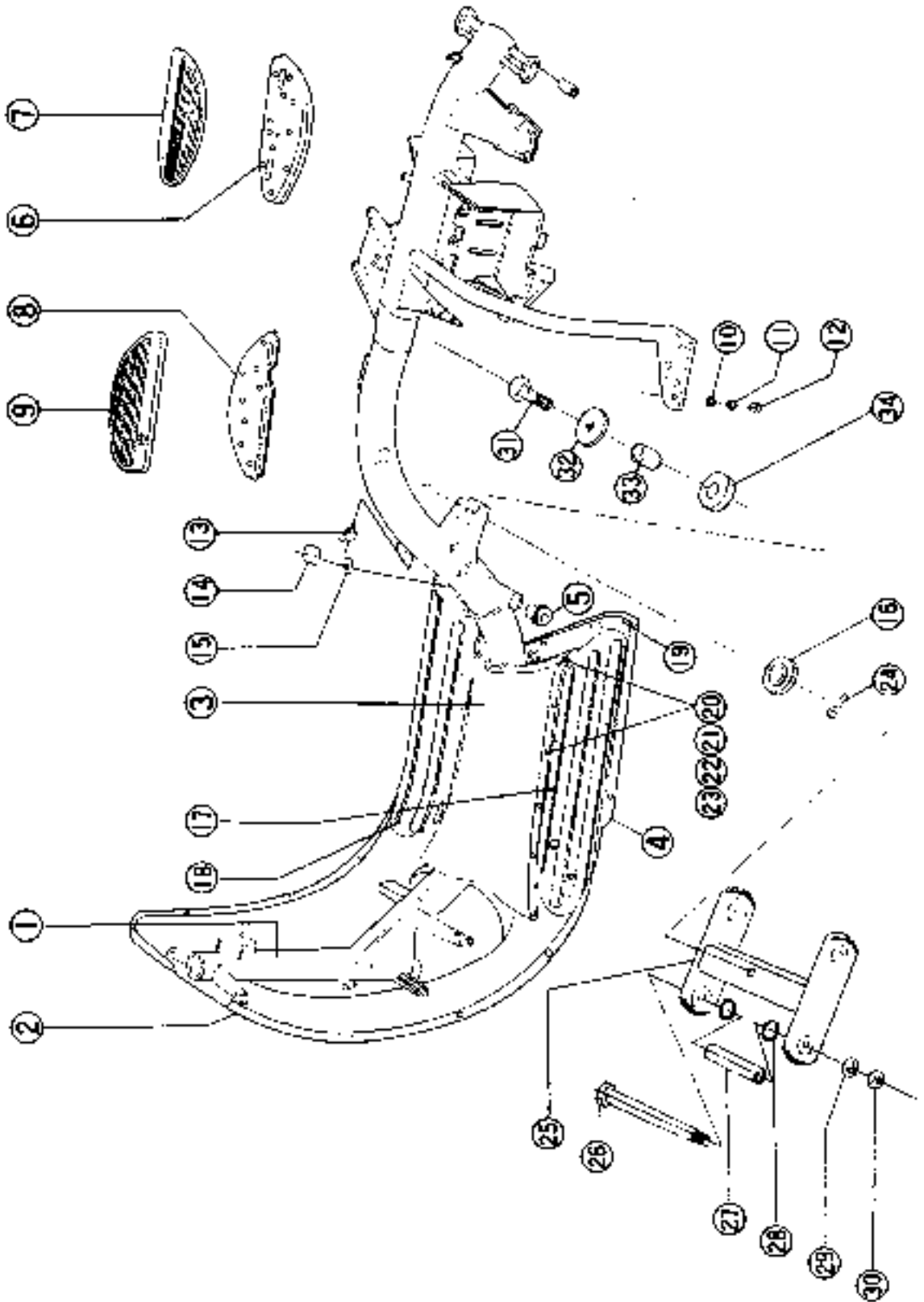


## HANDLEBAR & FRONT FORK

Item	Part Number	Nomenclature	Qty Req.	Remarks	B	C	
						1	11
37	184 971 000	Mark (Handlebar)	1			x	<
38	043 003 100	Screw (Pan Head)	2			x	x
39	032 003 000	Spring Washer	2			x	x
40	021 003 110	Nut	2			x	<
41	221 308 000	Swing Axle	1	C # 73251 and after	x	x	o
42	252 204 000	Bushing	2	C # 73251 and after	x	x	o
43	082 030 011	"O" Ring	2	C # 73251 and after	x	x	o
44	032 012 000	Spring Washer	2	C # 73251 and after	x	x	o
45	080 022 100	Grease Nipple	1	C # 73251 and after	x	x	o
46	015 012 300	Bolt	2	C # 73251 and after	x	x	o

Classic Cycles Technical Resources

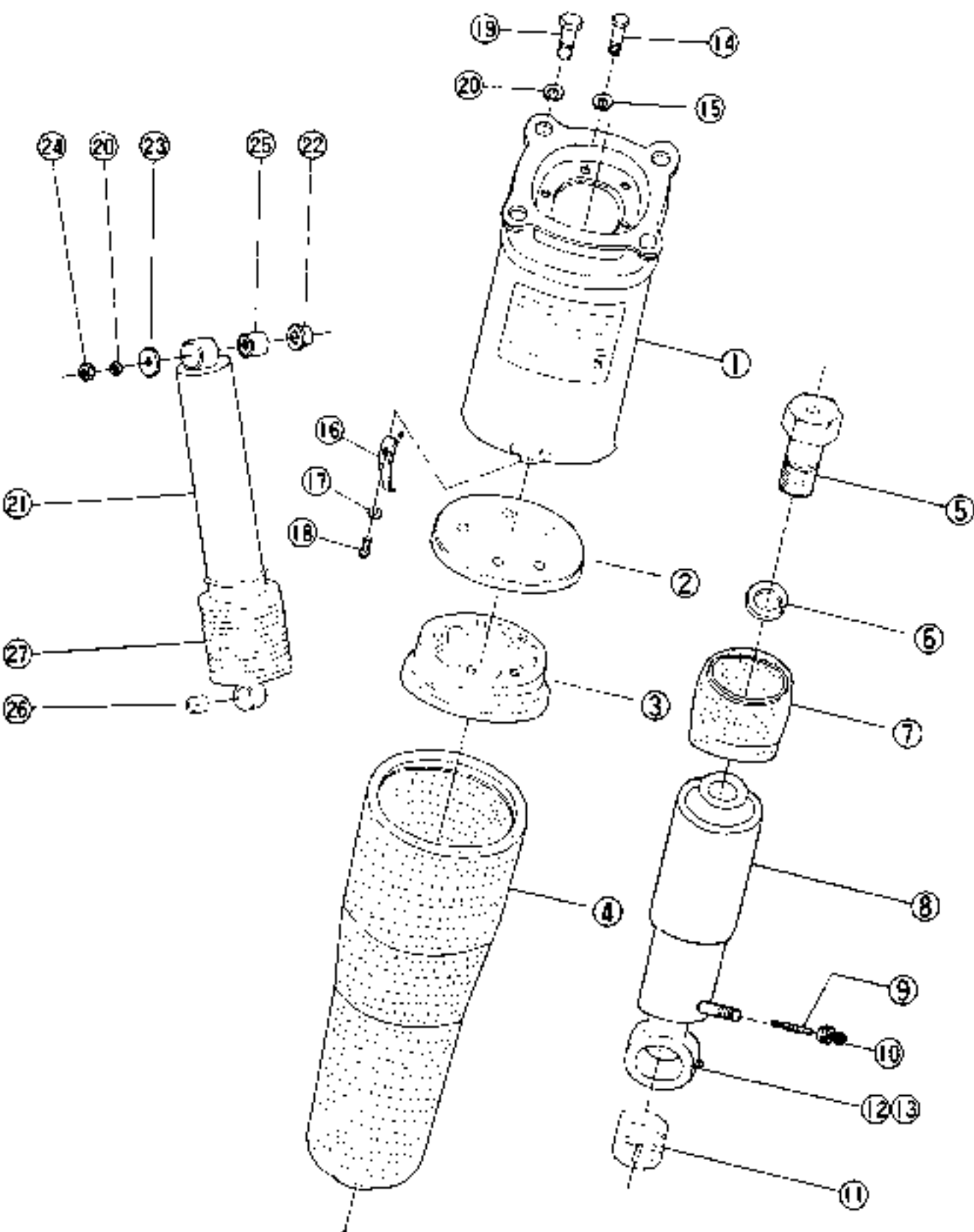
FRAME (A)



FRAME (A)

Item	Part Number	Nomenclature	Qty Req.	Remarks	C		
					D	1	13
1	251 000 040	Frame	1		x		
	855 030 000	Frame	1				
2	282 200 040	Leg Shield	1	C # 66994 and after	x	x	x
	282 200 010	Leg Shield	1	C/#66993 and before.	x	x	x
	855 071 000	Leg Shield	1			x	x
3	651 471 006	Duct	1				
4	453 522 006	Floor Panel	1				
5	165 119 000	Bushing	2				
6	452 514 000	Foot Rest (LH)	1				
7	851 878 000	Mat (Foot Rest, LH)	1				
8	452 516 000	Foot Rest (RH)	1				
9	851 877 000	Mat (Foot Rest, RH)	1				
10	031 006 000	Washer	8				
11	032 008 000	Spring Washer	8				
12	021 006 110	Nut	8				
13	221 018 000	Grease Nipple	1				
14	159 555 000	Cushion Rubber	2				
15	275 006 010	Washer	As req.				
16	165 123 000	Cushion Rubber	1				
17	453 373 000	Mat (Foot Board, LH)	1				
18	453 374 000	Mat (Foot Board, RH)	1				
19	045 504 080	Tapping Screw (Round Head)	16				
20	043 004 100	Screw (Pan Head)	16				
21	032 004 000	Spring Washer	14				
22	031 004 000	Washer	12				
23	021 004 110	Nut	9				
24	051 030 180	Cotter Pin	1				
25	188 842 000	Engine Support	1		x		
	453 890 000	Engine Support	1			x	
26	181 352 000	Bolt	1				
27	181 474 000	Spacer	1				
28	882 833 011	"O" Ring	2				
29	832 014 000	Spring Washer	1				
30	021 014 110	Nut	1				
31	165 625 000	Bolt	1				
32	252 201 000	Washer	1				
33	165 824 000	Bushing	1				
34	252 202 000	Cushion Rubber	1				

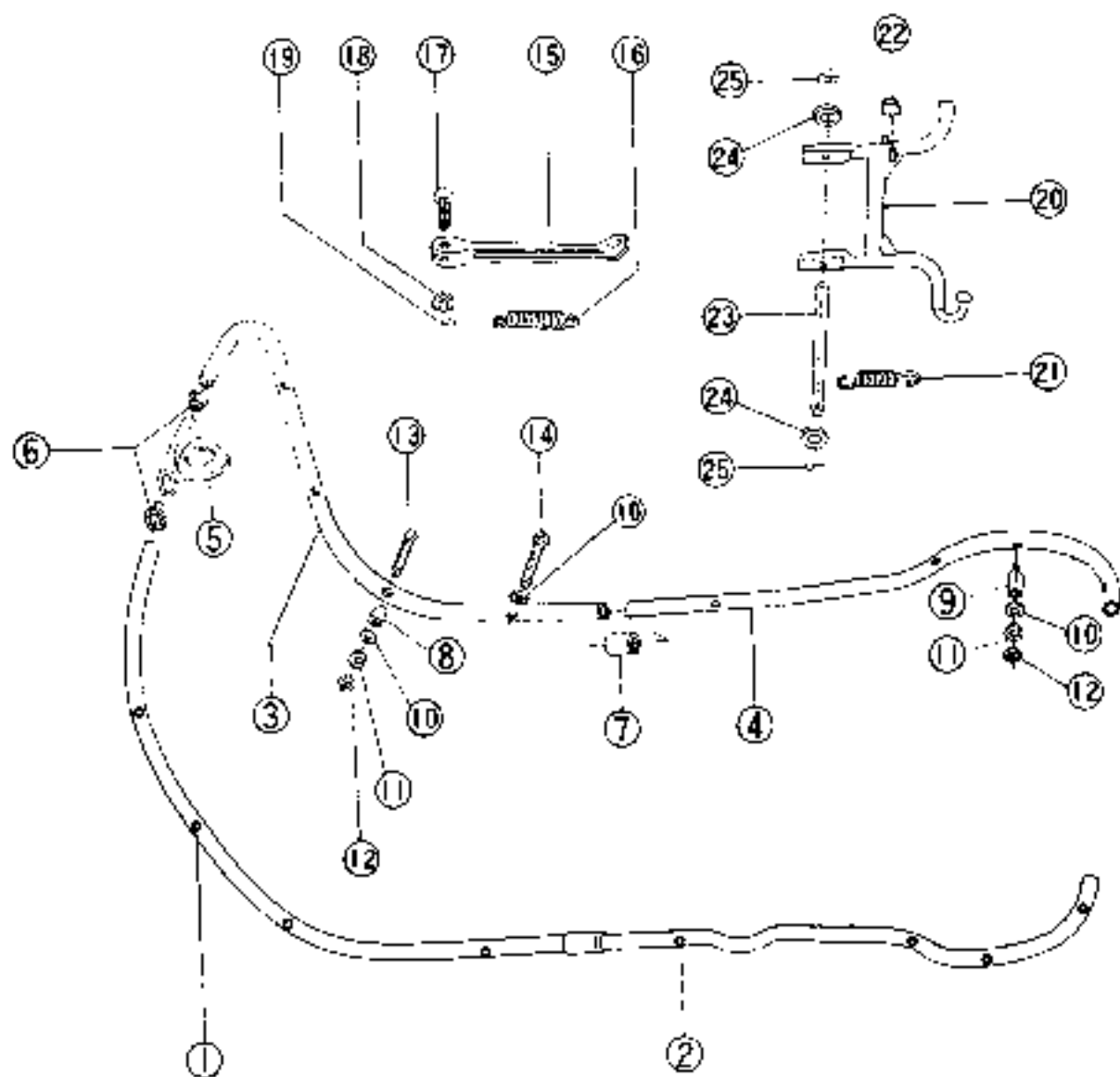
FRAME (B)



**FRAME (B)**

Item	Part Number	Nomenclature	Qty Req.	Remarks	B		C	
					I	II	I	II
	851 488 000	Air-Spring Assembly	1	Includes 1-20.				
1	182 887 000	Outer Cylinder	1					
2	183 183 000	Cover Plate (Upper)	1					
3	187 635 000	Bracket	1					
4	453 487 000	Diaphragm	1					
5	163 105 000	Stopper Bolt	1					
6	832 012 000	Spring Washer	1					
7	163 104 000	Stopper Rubber	1	Includes 9-12.				
8	453 418 000	Inner Cylinder	1					
9	165 204 000	Valve	1					
10	164 881 000	Cap (Valve)	1					
11	182 885 000	Bushing	1					
12	221 019 000	Grease Nipple	1					
13	221 089 000	Grease Nipple Cap	1					
14	015 888 180	Bolt	5					
15	832 006 000	Spring Washer	5					
16	183 380 000	Pressure Indicator	1					
17	832 005 000	Spring Washer	1					
18	843 005 000	Screw (Pan Head)	1					
19	016 008 180	Bolt	4					
20	832 008 000	Spring Washer	5					
21	453 881 000	Shock Absorber Unit (R)	1					
22	163 888 000	Spacer	1					
23	182 072 000	Washer	1					
24	021 888 110	Nut	1					
25	164 581 000	Rubber Bushing	1					
26	164 580 000	Bushing	1					
27	453 881 020	Rubber Boot	1					

# FRAME (C)

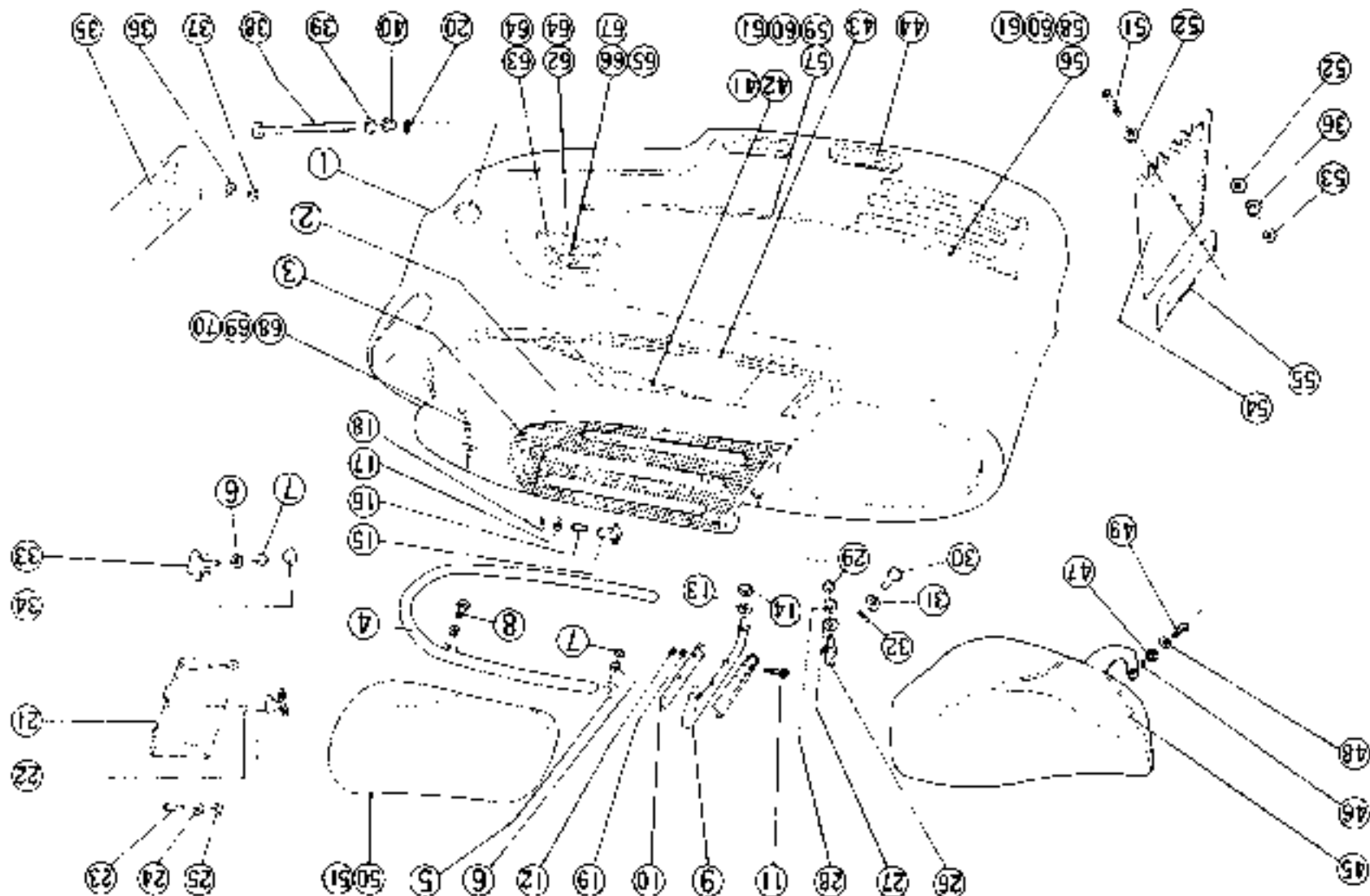


FRAME (C)

Item	Part Number	Nomenclature	Qty Req.	Remarks	C		
					I	II	III
1	651 472 010	Pipe	1				
2	651 472 020	Pipe	1				
	651 488 020	Pipe	1		X	X	X
3	651 472 030	Pipe	1				
4	651 472 040	Pipe	1				
5	452 487 000	Bracket	1				
6	159 585 100	Bushing	2				
7	184 815 000	Joint	2				
8	162 240 100	Spacer	8				
9	162 240 200	Spacer	6				
10	031 005 000	Washer	16				
11	032 005 000	Spring Washer	14				
12	022 005 110	Nut	14				
13	042 005 350	Screw (Oval Head)	12				
14	042 005 400	Screw (Oval Head)	2				
15	168 803 000	Side Stand	1				
16	154 867 000	Spring (Side Stand)	1				
17	159 639 000	Bolt (8x30)	1				
18	023 108 000	Castle Nut	1				
19	651 020 220	Cotter Pin	1				
20	452 876 000	Main Stand	1				
21	166 362 000	Spring (Main Stand)	1				
22	165 864 000	Stopper Rubber	1				
23	167 364 000	Main Stand	1				
24	031 010 000	Washer	2				
25	051 030 220	Cotter Pin	2				



BODY COVER (A)



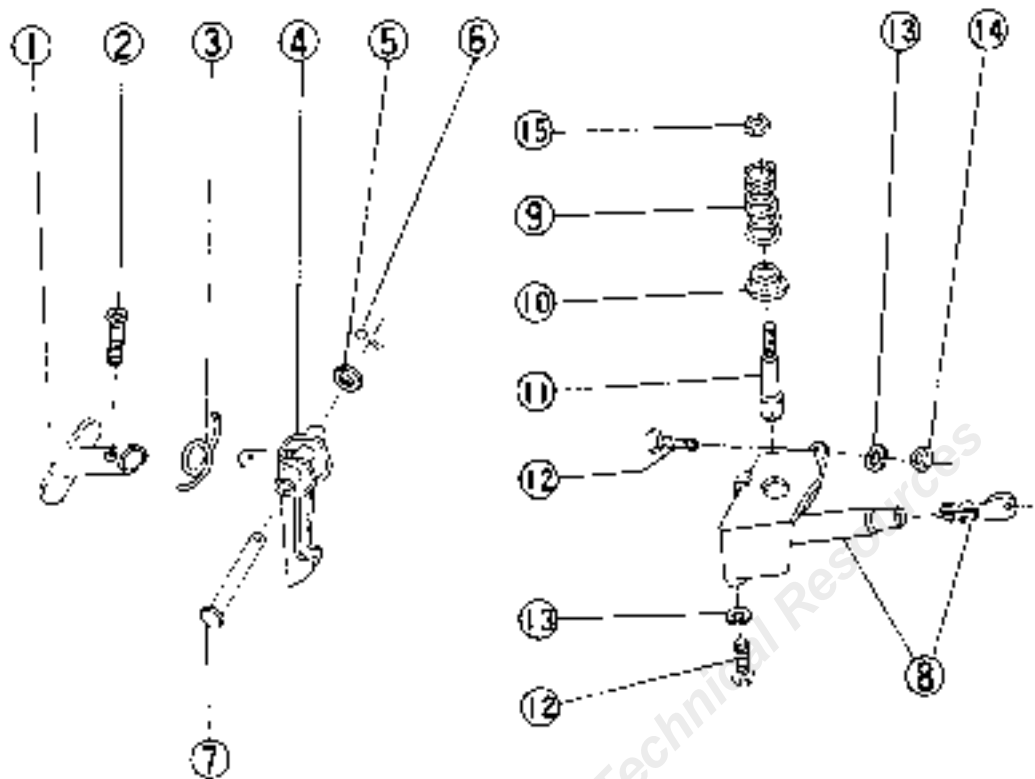
**BODY COVER (A)**

Item	Part Number	Nomenclature	Qty Req.	Remarks	B	C		
						T	IT	ILL
1	261 100 060	Main Cover	1					
2	651 093 006	Trunk Cover	1					
3	452 445 100	Mat (Carrier)	1					
4	452 727 000	Frame	1					
5	160 476 000	Bracket	2					
6	032 008 000	Spring Washer	10					
7	021 008 110	Nut	8					
8	016 008 100	Bolt	2					
9	158 895 000	Pillion Grip	1					
10	158 896 100	Pillion Grip Cover	1					
11	160 945 000	Screw (3x21)	3					
12	021 003 110	Nut	3					
13	032 010 000	Spring Washer	2					
14	021 010 110	Nut	2					
15	165 190 000	Bracket	2					
16	164 324 000	Spring	2					
17	164 325 000	Knob	2					
18	051 020 120	Cotter Pin	2					
19	031 003 000	Washer	3					
20	051 020 250	Cotter Pin	1					
21	158 662 000	Card Holder	1					
22	158 845 000	Spring	1					
23	043 003 060	Screw (Pan Head)	2					
24	031 003 000	Washer	2					
25	021 003 110	Nut	2					
26	161 341 000	Bracket	2					
27	161 130 100	Washer	2					
28	032 008 000	Spring Washer	2					
29	021 008 110	Nut	2					
30	052 108 280	Clevis Pin	2					
31	031 008 000	Washer	2					
32	051 020 180	Cotter Pin	2					
33	162 409 000	Hook	6					
34	021 003 110	Nut	2					
35	261 015 000	License Plate Holder	1					
36	032 005 000	Spring Washer	11					
37	021 005 110	Nut	4					
38	158 805 000	Bolt	1					
39	160 761 000	Washer	1					

**BODY COVER (A)**

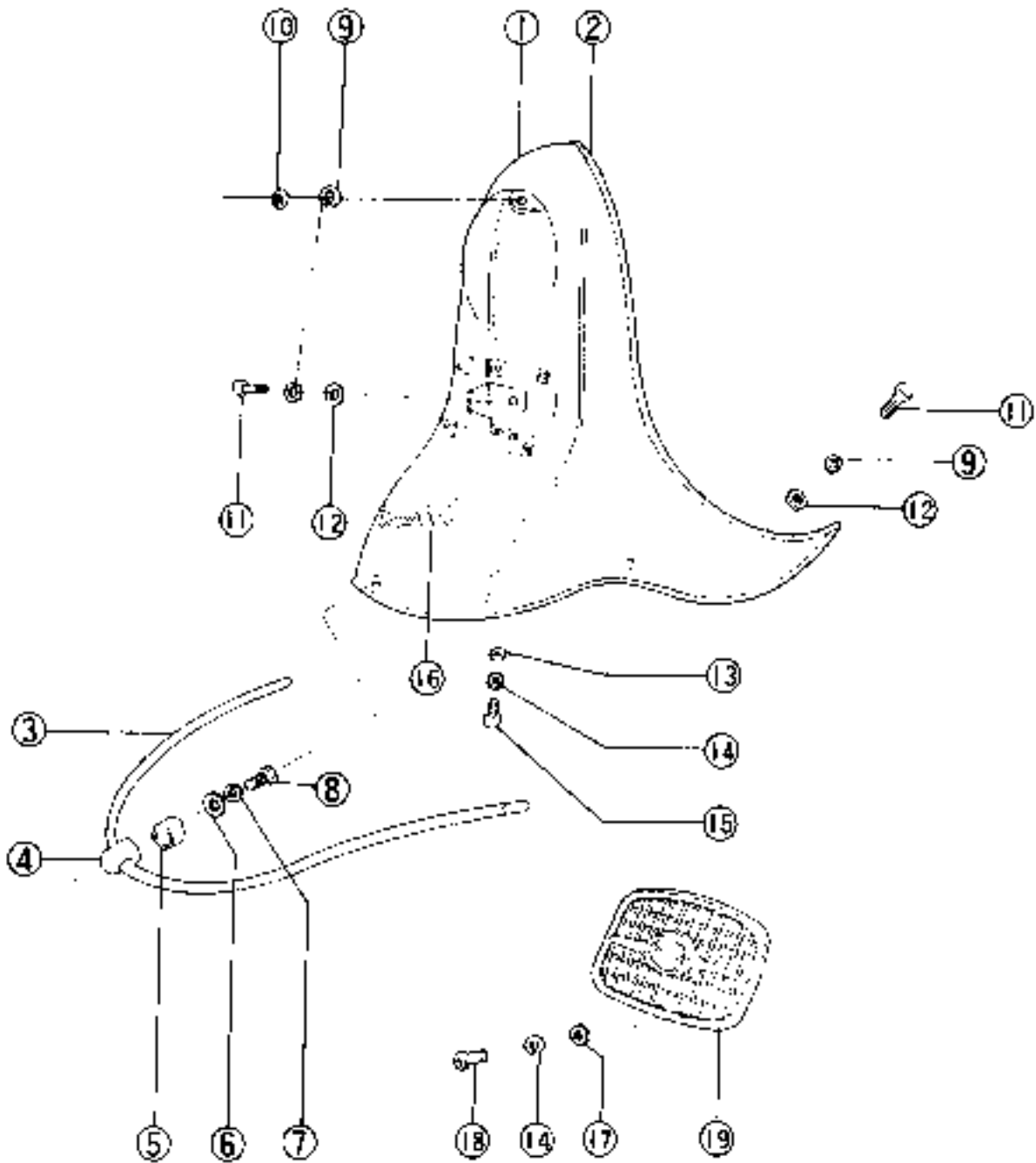
Item	Part Number	Nomenclature	Qty Req.	Remarks	B			C		
					1	2	3	1	2	3
40	023 110 000	Castle Nut	1							
41	162 272 100	Band (Luggage)	1							
42	162 272 200	Band (Luggage)	1							
43	051 045 300	Weather Strap	1							
44	261 009 010	Protector	4							
45	265 310 080	Main Seat	1							
46	051 012 150	Cotter Pin	1							
47	023 106 000	Castle Nut	1							
48	031 006 000	Washer	1							
49	184 001 000	Bolt	1							
50	265 320 030	Pillion Seat	1							
51	043 005 140	Screw (Pan Head)	7							
52	031 005 000	Washer	5							
53	022 005 110	Nut	3							
54	163 855 000	Splashboard	1							
55	163 854 000	Plate (Splashboard)	1							
56	291 012 020	Side Ornament (F-LH)	1							
57	291 012 030	Side Ornament (R-LH)	1							
58	291 012 040	Side Ornament (F-RH)	1							
59	291 012 050	Side Ornament (R-RH)	1							
	291 014 010	Speed Nut (4mm)	16	(291024010)				X	X	
60	022 004 000	Nut	16							
61	032 004 000	Spring Washer	16							X
62	291 002 200	Letter Mark	2	"Superflow"				X		
63	291 002 240	Mark (200)	1					X		
64	180 488 010	Speed Nut	8					X		
65	161 605 800	Mark (Rabbit, LH)	1							X
66	161 605 900	Mark (Rabbit, RH)	1							X
67	161 605 020	Speed Nut	4	(161605300)						X
68	291 002 090	Letter Mark	1	"Superflow"						X
69	032 003 000	Spring Washer	2							X

## BODY COVER (B)



Item	Part Number	Nomenclature	Qty Req.	Remarks	B			C		
					I	II	III	I	II	III
1	159 812 000	Handle	1		0	0	0	0	0	0
2	043 004 200	Screw (Pan Head)	1		0	0	0	0	0	0
3	166 443 000	Spring	1		0	0	0	0	0	0
4	165 041 000	Hook	1		0	0	0	0	0	0
5	031 008 000	Washer	1		0	0	0	0	0	0
6	051 020 100	Cotter Pin	1		0	0	0	0	0	0
7	165 659 000	Clevis Pin	1		0	0	0	0	0	0
8	453 423 000	Lock Unit	1		0	0	0	0	0	0
9	159 581 000	Spring	1		0	0	0	0	0	0
10	159 592 000	Supporter	1		0	0	0	0	0	0
11	159 590 000	Stopper	1		0	0	0	0	0	0
12	016 008 120	Bolt	4		0	0	0	0	0	0
13	032 006 000	Spring Washer	4		0	0	0	0	0	0
14	021 006 110	Nut	2		0	0	0	0	0	0
15	021 008 110	Nut	1		0	0	0	0	0	0

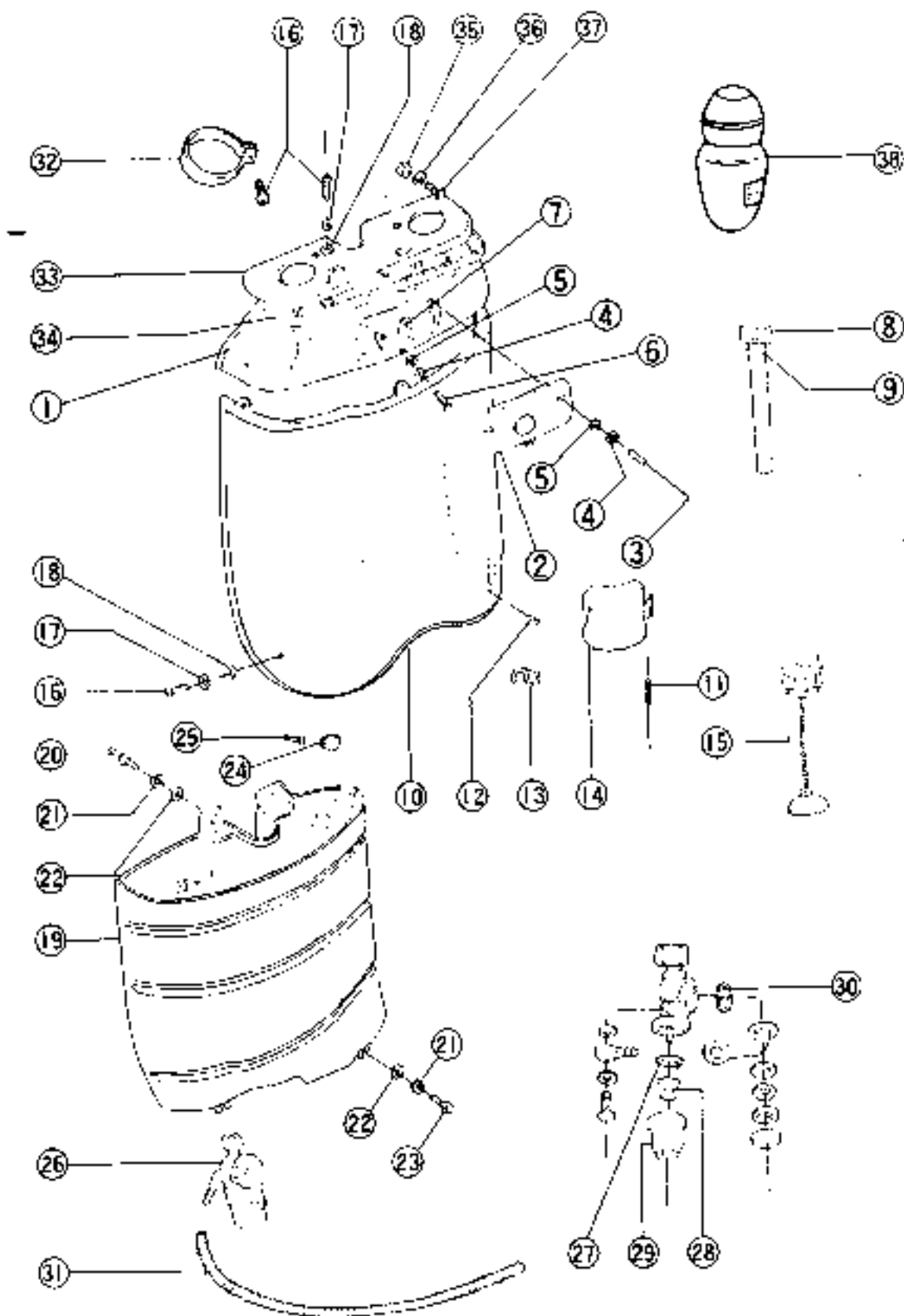
# FRONT FENDER



## FRONT FENDER

Qty	Part Number	Nomenclature	Qty Req	Remarks	B	C		
						I	II	III
1	855 180 000	Fender (Pl)	1		1			
2	180 688 000	Weather Strip	1			1		
3	452 681 000	Protector	1		1			
4	180 305 000	Bracket	3		3			
5	180 304 000	Spacer	3		3			
6	100 487 000	Washer	3		3			
7	032 008 000	Spring Washer	3		3			
8	016 008 120	Bolt	3		3			
9	032 006 000	Spring Washer	6		6			
10	021 006 110	Nut	2		2			
11	018 006 140	Bolt	4		4			
12	031 006 000	Washer	4		4			
13	184 327 000	Washer	4		4			
14	032 004 000	Spring Washer	8		8			
15	043 004 100	Screw (Pan Head)	4		4			
16	201 002 180	Letter Mark	1	"Rabbit"	1			
17	031 004 000	Washer	4		4			
18	043 004 120	Screw (Pan Head)	4		4			
19	201 201 010	Grill	1					1

# FUEL SYSTEM



## FUEL SYSTEM

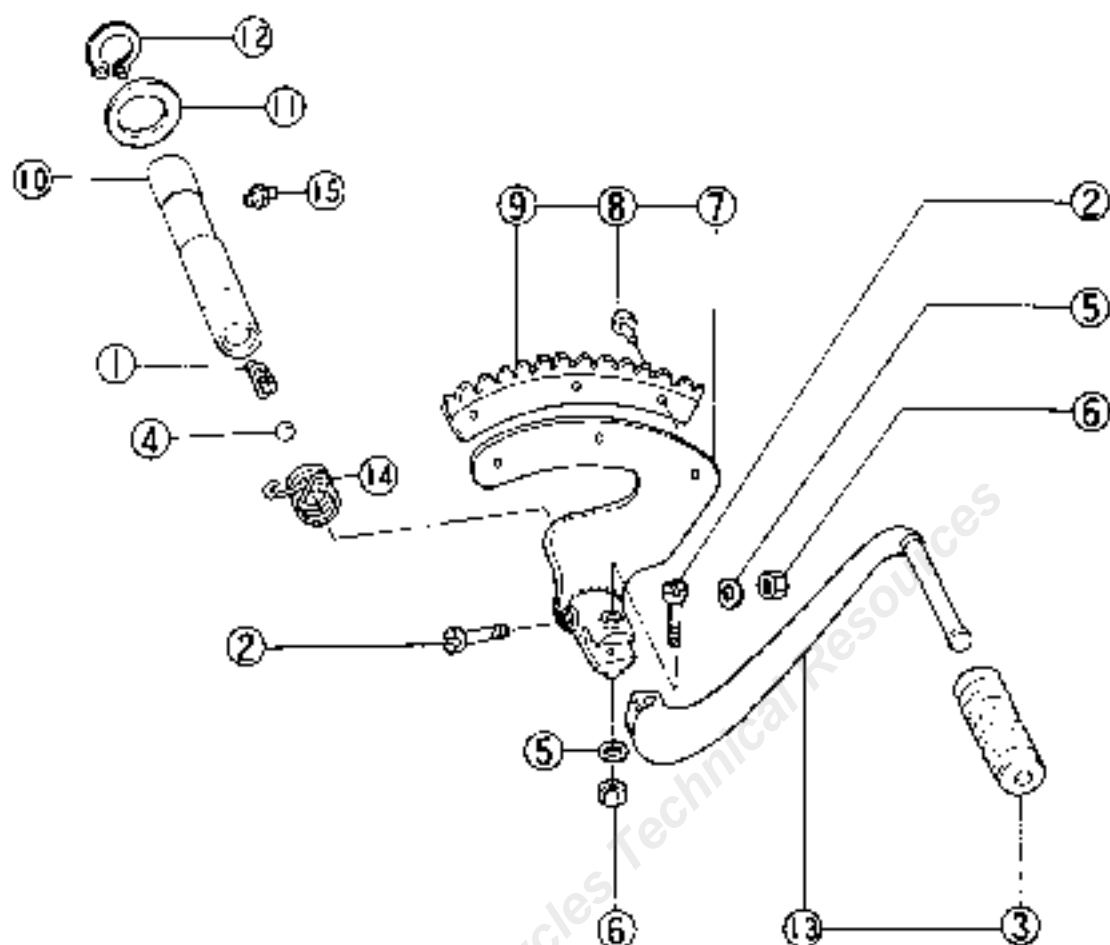
Item	Part Number	Nomenclature	Qty Req.	Remarks	C			
					B	I	TC	III
1	262 160 031	Cover	1		/	/	/	
	262 160 030	Cover	1		/	x		/
	651 763 000	Instrument Board	1				/	/
2	241 009 001	Door	1		/	x	x	0
	241 008 000	Door	1		/	x		/
	454 082 000	Door	1				x	/
3	043 004 250	Screw (Pan Head)	2					
4	032 004 000	Spring Washer	3					
5	185 444 000	Washer	3					
6	043 004 180	Screw (Pan Head)	1					
7	180 738 000	Bracket	1					
8	241 140 011	Fuel Gage	1	Includes 9				
9	164 886 010	"O" Ring	1					
10	241 008 001	Fuel Tank Cover	1		/	x	x	/
	241 008 000	Fuel Tank Cover	1					/
11	188 227 010	Pin	1					0
12	188 231 000	Rivet	4					
13	188 230 000	Spring	1					0
14	241 009 011	Inspection Cover	1		x	x	x	/
	241 009 010	Inspection Cover	1		/	x		x
15	241 110 050	Fuel Tank Cap	1					
16	043 005 140	Screw (Pan Head)	7					
17	032 005 000	Spring Washer	6					
18	183 848 000	Washer	6					
19	241 200 040	Fuel Tank	1	C #66994 and after, with reserve valve.	/	x		/
	652 810 000	Fuel Tank	1	C # 63181 - 66993, (with reserve valve)	x	x		x
	651 709 000	Fuel Tank	1	C/63180 and before.				x
20	158 062 000	Bolt	2					0
21	032 008 000	Spring Washer	4					
22	031 008 000	Washer	4					
23	016 008 180	Bolt	2					0
24	158 877 000	Bracket	1					
25	043 005 120	Screw (Pan Head)	1					0
26	241 010 030	Fuel Strainer	1	Includes 27-30, C: # 63181 and after.	/	x		/
	164 875 100	Fuel Strainer	1	Includes 27-30, C: # 63180 and before.				x
27	164 875 010	Packing (Cup)	1					
28	164 875 020	Filter	1					
29	188 433 000	Cup	1					
30	164 875 040	Packing	1					
31	162 878 010	Fuel Tube	1					



## FUEL SYSTEM

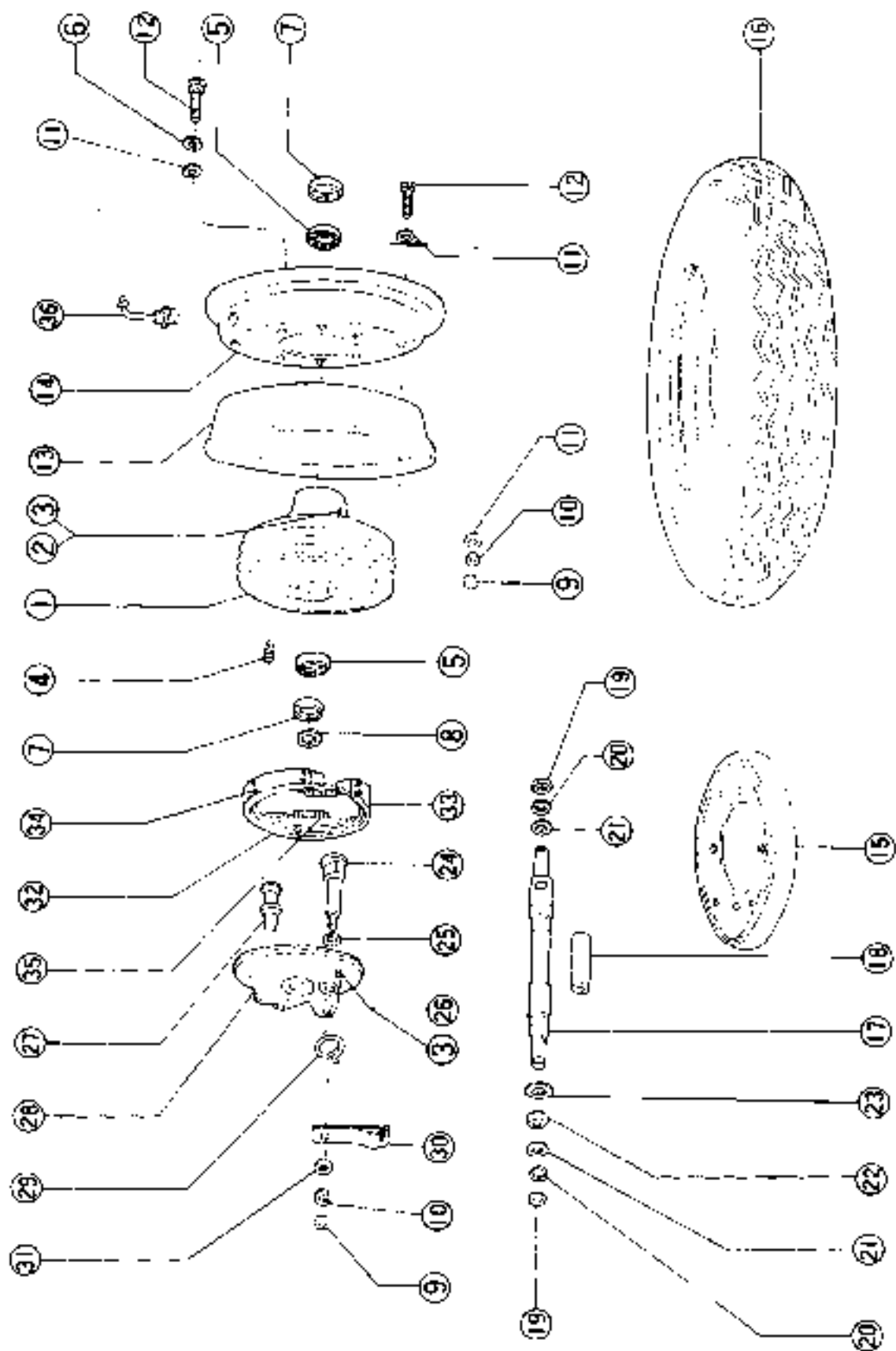
No.	Part Number	Nomenclature	Qty Req.	Remarks	B		C	
					1	10	1	10
32	185 172 000	Clip Band	1		X	○	○	○
33	282 161 010	Instrument Panel	1		X	X	○	○
34	282 184 010	Metal Molding	1		X	X	○	○
35	022 083 100	Nut	5		X	X	○	○
36	032 083 000	Spring Washer	5		X	X	○	○
37	202 185 000	Screw	5		X	X	○	○
38	200 520 000	Oil Tank	1		○	○	○	○

## KICK STARTER



Item	Part Number	Nomenclature	Qty Req.	Remarks	C		
					B	I	M
1	326 341 000	Spring (Kick Arm)	1	(361072000)	x	o	o
2	004 208 010	Pin	2	(361072100)	x	o	o
3	026 281 800	Kick Pedal Cover	1	(361071500)	x	o	o
4	006 008 010	Steel Ball	1	(361072300)	x	o	o
5	032 006 000	Spring Washer	2		x	o	o
6	021 006 110	Nut	2		x	o	o
7	168 752 000	Kick Gear Complete	1	Includes 8,9.	x	o	o
8	059 150 161	Rivet	3	(059150160)	x	o	o
9	455 295 000	Kick Gear	1		x	o	o
10	168 755 000	Shaft (Kick Arm)	1		x	o	o
11	168 760 000	Washer	1		x	o	o
12	188 781 000	Snap Ring	1		x	o	o
13	169 080 000	Kick Arm	1	Includes 3.	x	o	o
14	181 304 000	Kick Spring	1		x	o	o
15	221 018 000	Grease Nipple	1		x	o	o

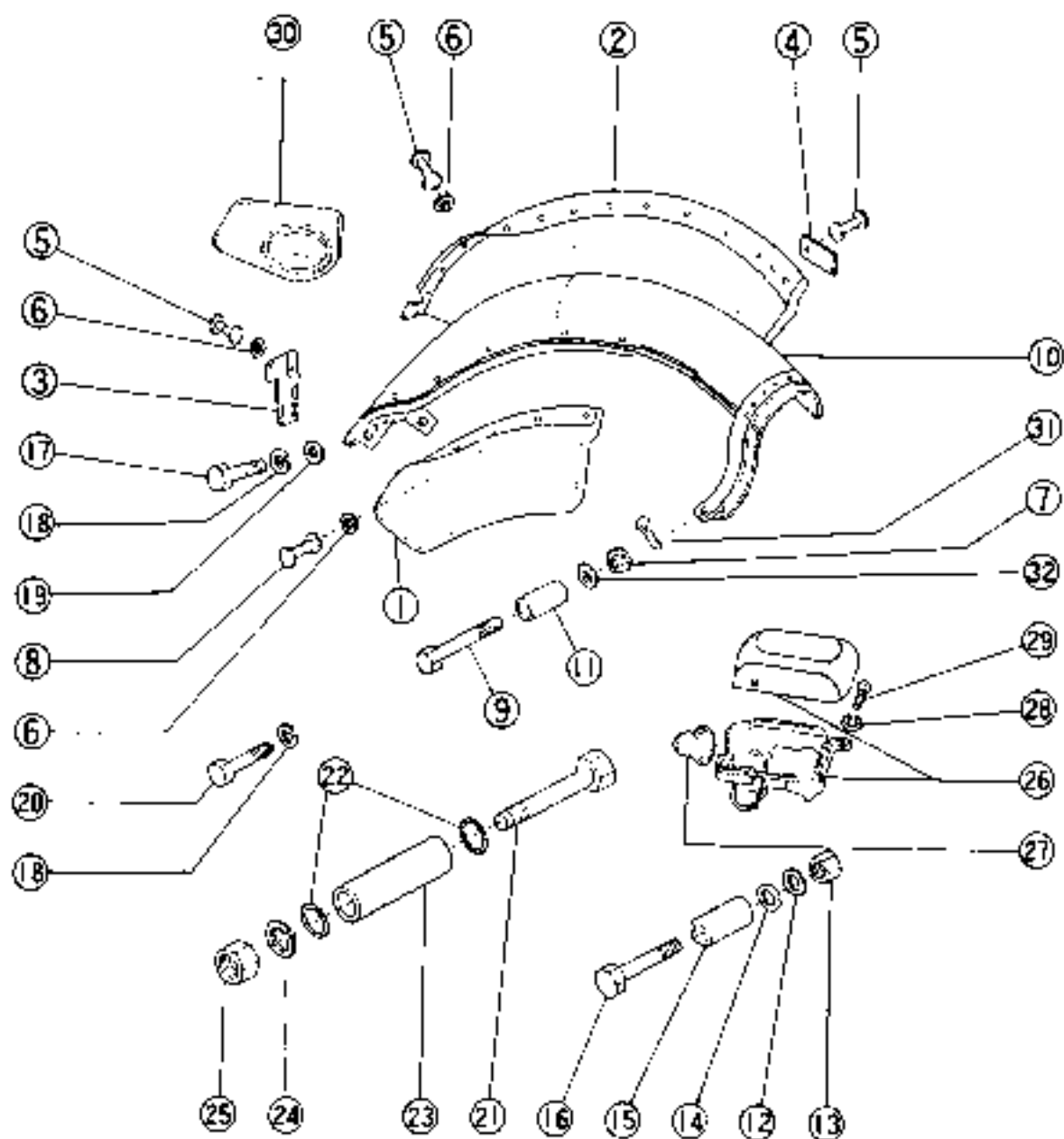
# FRONT WHEEL



## FRONT WHEEL

Item	Part Number	Nomenclature	Qty Req.	Remarks	U		C	
					1	2	1	2
1	452 209 000	Wheel Hub (F)	1					
2	030 022 100	Grease Nipple	1					
3	221 003 000	Grease Nipple Cap	2					
4	010 008 120	Heli-Seal	4					
5	060 162 030	Ball Bearing	2					
6	032 103 000	Spring Washer	4					
7	182 634 000	Oil Seal	2					
8	157 105 000	Spacer	1					
9	021 008 110	Nut	5					
10	032 008 000	Spring Washer	5					
11	223 104 000	Washer	12					
12	223 103 000	Bolt	8					
13	453 008 000	Rim	1					
14	453 007 000	Rim	1					
15	161 804 000	Rim Packing	1					
16	455 251 000	Tire	1	4.00-8-4P white sidewall tire				
	453 005 000	Tire	1	4.00-8-4P			x	x
17	150 431 000	Wheel Axle (F)	1					
18	157 108 000	Spacer	1					
19	021 012 110	Nut	2					
20	032 012 000	Spring Washer	2					
21	223 003 000	Washer	2					
22	223 005 000	Nut	1					
23	152 520 000	Washer	1					
24	223 215 050	Brake Cam (F)	1					
25	223 205 000	Washer	1					
26	221 018 000	Grease Nipple	1					
27	223 201 000	Brake Heel Pin	1					
28	163 136 000	Disc Plate (F)	1					
29	223 202 010	Return Spring (Brake Lever)	1					
30	223 225 000	Brake Lever	1					
31	031 008 000	Washer	1					
32	223 220 130	Brake Shoe Complete (F)	1 set					
33	223 221 000	Brake Lining (F)	2					
34	050 120 080	Rivet	12					
35	223 202 000	Return Spring (Brake Shoe)	2					
36	200 504 000	Valve Unit	1					

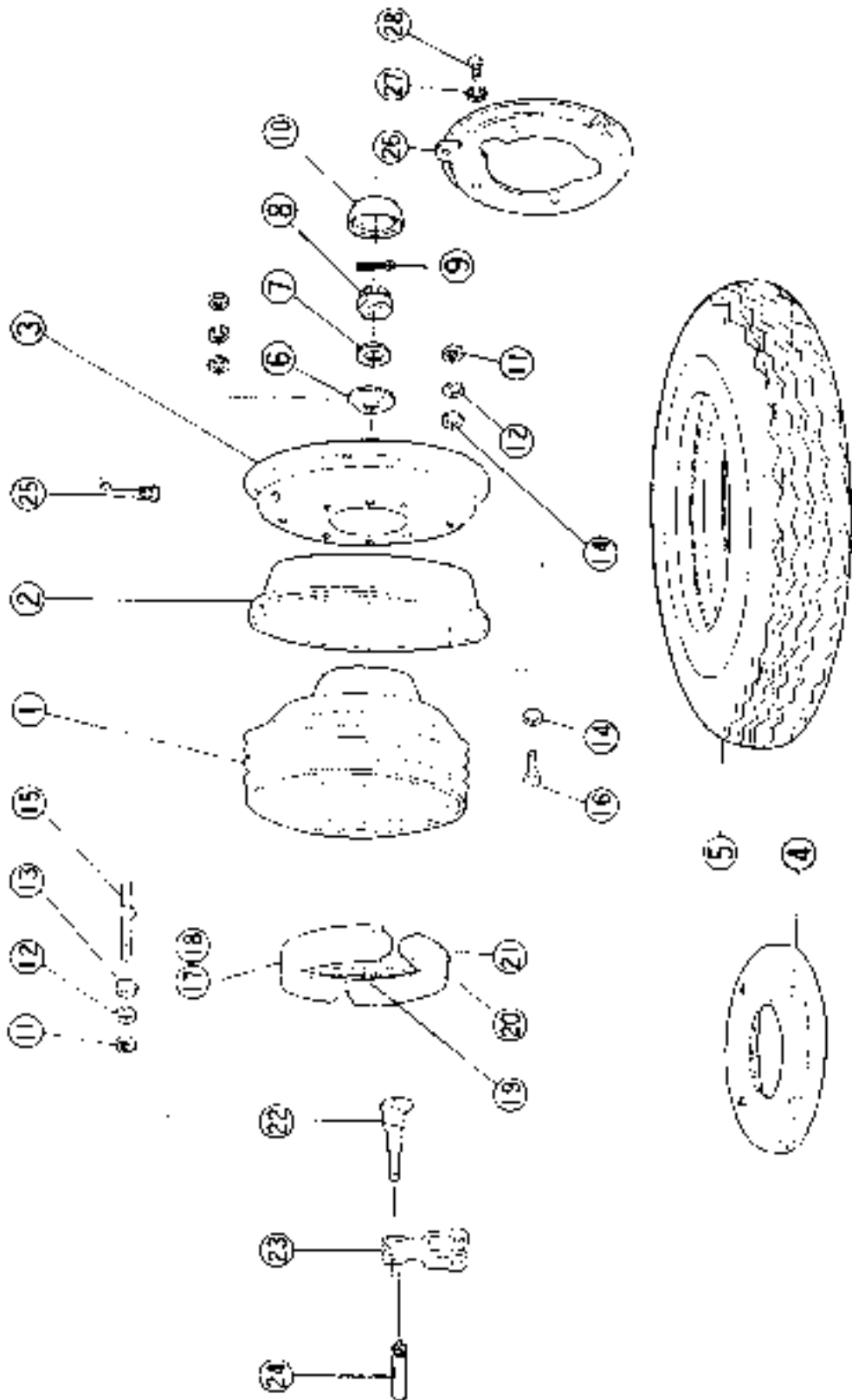
## ENGINE MOUNTING



## ENGINE MOUNTING

Item	Part Number	Description	Qty Req.	Remarks	B				C				
					1	2	3	4	1	2	3	4	
1	453 826 000	Dust Seal (LH)	1										
2	453 827 000	Dust Seal (RH)	1										
3	163 881 000	Dust Seal (F)	1										
4	184 203 000	Plate	2										
5	183 398 100	Rivet	12										
6	184 008 000	Washer	19										
7	823 110 000	Castle Nut	1										
8	183 399 300	Rivet	11										
9	182 789 000	Bolt	1										
10	651 521 000	Fender (R)	1										
11	182 790 000	Bushing	1										
12	032 010 000	Spring Washer	1										
13	021 010 110	Nut	1										
14	031 010 000	Washer	1										
15	183 384 000	Bushing	1										
16	183 852 000	Bolt	1										
17	016 008 180	Bolt	2										
18	032 008 000	Spring Washer	4										
19	031 008 000	Washer	2										
20	182 727 000	Bolt	2										
21	181 352 000	Bolt	1										
22	082 503 011	"O" Ring	2										
23	181 474 000	Spacer	1										
24	032 014 000	Spring Washer	1										
25	021 014 110	Nut	1										
26	651 506 000	Case Cover	1										
27	183 857 000	Dust Seal	1										
28	032 005 000	Spring Washer	3										
29	043 005 120	Screw (Pan Head)	3										
30	454 982 000	Air Intake Rubber	1										
31	051 020 250	Cutter Pin	1										
32	180 781 000	Washer	As req.										

# REAR WHEEL



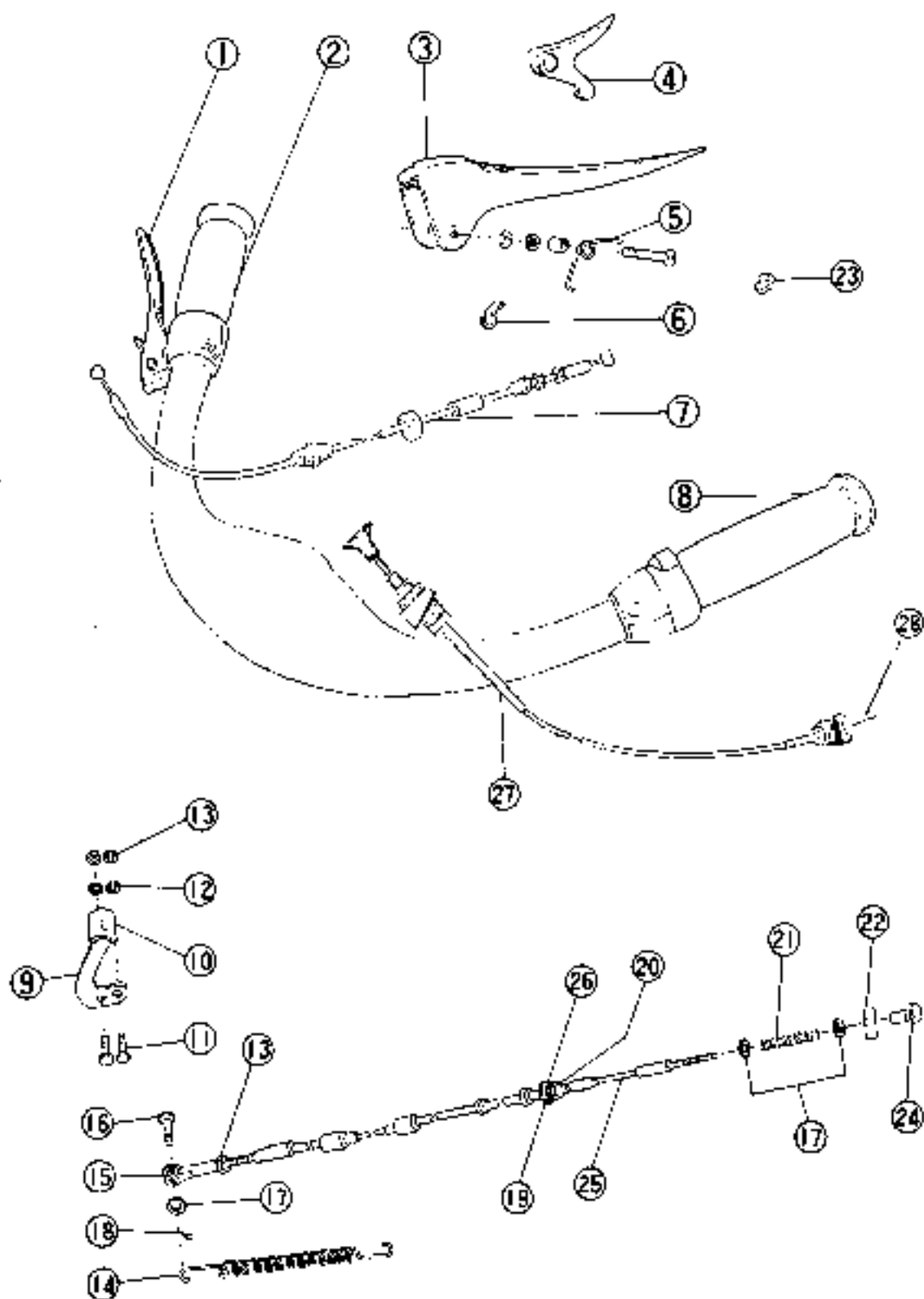
## REAR WHEEL

Item	Part Number	Nomenclature	Qty. Req.	Remarks	B			C		
					I	II	III	I	II	III
1	652 306 000	Brake Drum	1		X					
	*See Note	Brake Drum	1			X			X	
2	452 006 000	Rim	1							
3	452 007 000	Rim	1							
4	161 894 000	Rim Packing	1							
5	455 351 000	Tyre	1	4.00-8-4P white sidewall tyre						
	452 005 000	Tyre	1	4.00-8-4P				X	X	X
6	243 005 000	Setting Plate	1							
7	243 006 000	Washer	1							
8	243 002 000	Castle Nut	1							
9	051 000 350	Cotter Pin	1							
10	243 004 000	Cap	1							
11	071 008 110	Nut	12							
12	032 008 000	Spring Washer	12							
13	031 008 000	Washer	4							
14	223 104 000	Washer	12							
15	161 404 000	Bolt	4							
16	223 103 000	Bolt	4							
17	223 220 060	Brake Shoe w/Return Spring	1 set	Includes 18,19.	X	X	X	X	X	X
	223 220 042	Brake Shoe w/Return Spring	1 set	Includes 18 -21.	X	X	X	X	X	X
18	223 220 070	Brake Shoe Complete (R)	1 set		X	X	X	X	X	X
	223 220 052	Brake Shoe Complete (R)	1 set	Includes 20,21.	X	X	X	X	X	X
19	223 202 081	Return Spring (Brake Shoe)	2	(223202080)						X
	223 202 070	Return Spring (Brake Shoe)	2							X
20	223 221 010	Brake Lining	2							X
21	058 130 100	Rivet	12							X
22	223 215 110	Brake Cam (R)	1		X	X	X	X	X	X
	223 215 071	Brake Cam (R)	1							X
23	161 403 000	Brake Lever	1							
24	152 708 000	Clevis Pin	1							
25	208 504 000	Valve Unit	1							
26	455 356 000	Seal Plate	1		X					
27	032 008 000	Spring Washer	4							
28	043 006 120	Screw (Pan Head)	4							

Note : For model S601B, use 652306000 Brake Drum together with 455356000 Seal Plate.



# CONTROL SYSTEM



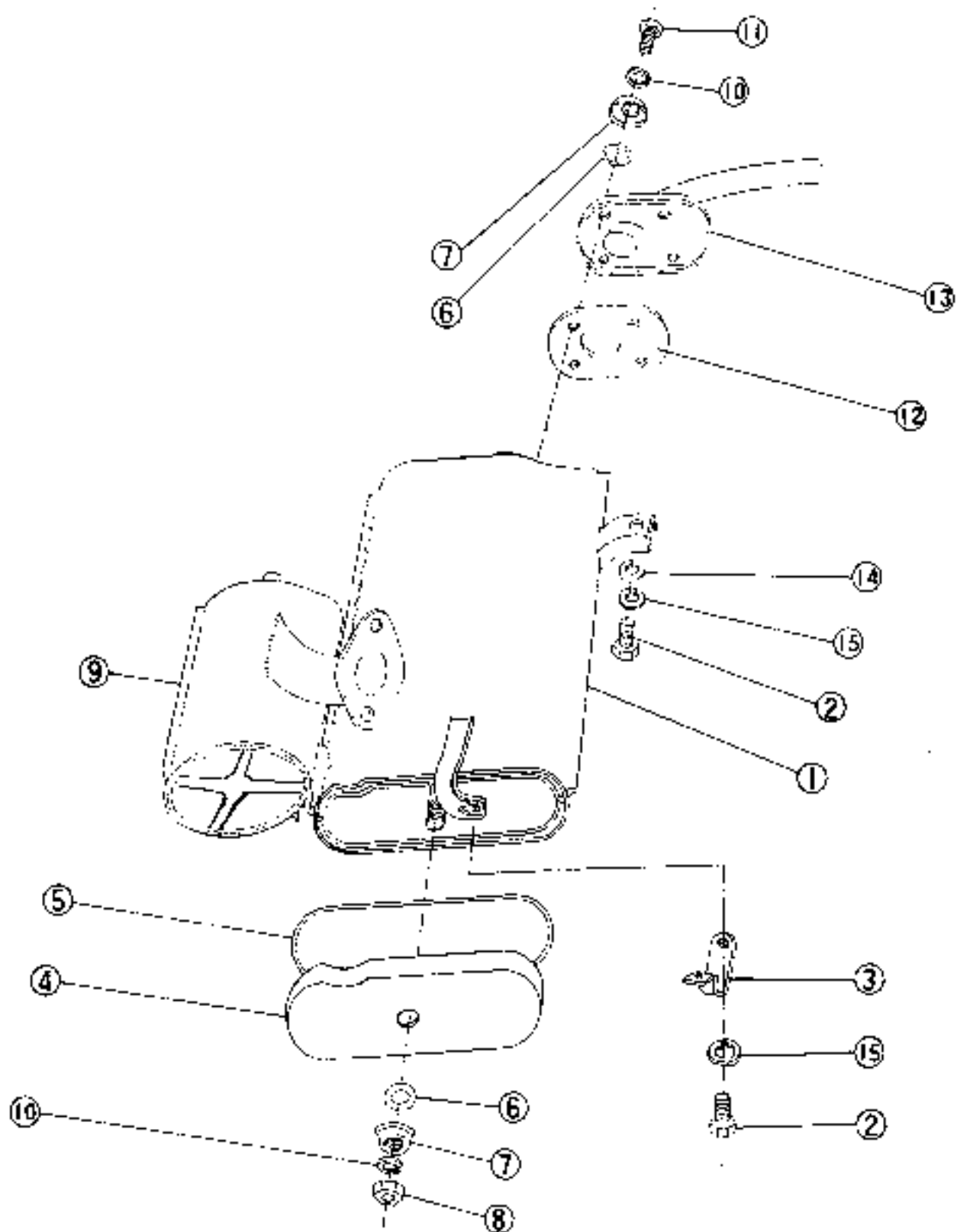
## CONTROL SYSTEM

Item	Part Number	Nomenclature	Qty Req.	Remarks	B	C		
						I	II	III
1	454 147 000	Throttle Grip Assembly	1	Includes 2-6, 23.	○	○	○	○
2	247 101 020	Grip Sleeve	1	C/# 17771 and after	○	○	○	○
	*See Note	Grip Sleeve	1	C/# 17770 and before.	○	×	×	×
3	454 147 020	Brake Lever (F)	1		○	○	○	○
4	454 147 030	Brake Lever (Parking)	1		○	○	○	○
5	454 147 040	Return Spring	1		○	○	○	○
6	454 147 050	Return Spring	1		○	○	○	○
7	225 100 100	Brake Cable (F)	1		○	○	○	○
8	247 101 010	Grip Sleeve	1		○	○	○	○
9	159 556 000	Brake Pedal	1		○	○	○	○
10	225 002 000	Pedal Pad	1		○	○	○	○
11	016 008 180	Bolt	2		○	○	○	○
12	032 006 000	Spring Washer	2		○	○	○	○
13	021 006 110	Nut	3		○	○	○	○
14	162 728 000	Return Spring (Brake Pedal)	1		○	○	○	○
15	225 004 000	Joint	1		○	○	○	○
16	052 106 160	Clevis Pin	1		○	○	○	○
17	031 006 008	Washer	3		○	○	○	○
18	051 020 180	Cotter Pin	1		○	○	○	○
19	032 010 000	Spring Washer	1		○	○	○	○
20	021 010 110	Nut	1		○	○	○	○
21	155 270 000	Spring	1		○	○	○	○
22	225 005 010	Pin	1		○	○	○	○
23	247 128 000	Sliding Piece	1	C/# 17771 and after.	○	○	○	○
	453 348 000	Sliding Piece	1	C/# 17770 and before.	○	×	×	×
24	225 008 000	Nut	1		○	○	○	○
25	225 100 080	Brake Cable (R)	1	Includes 13, 15, 19, 20, 26.	○	○	○	○
26	031 010 000	Washer	1		○	○	○	○
27	247 280 040	Starter Cable	1	Includes 28	○	○	○	○
28	247 281 030	Starter Inner Cable	1		○	○	○	○

Note: 163062R Grip Sleeve is not available.

For C/# 17770 and before, use 274101020 Grip Sleeve together with 247128000 Sliding Piece.

# MUFFLER

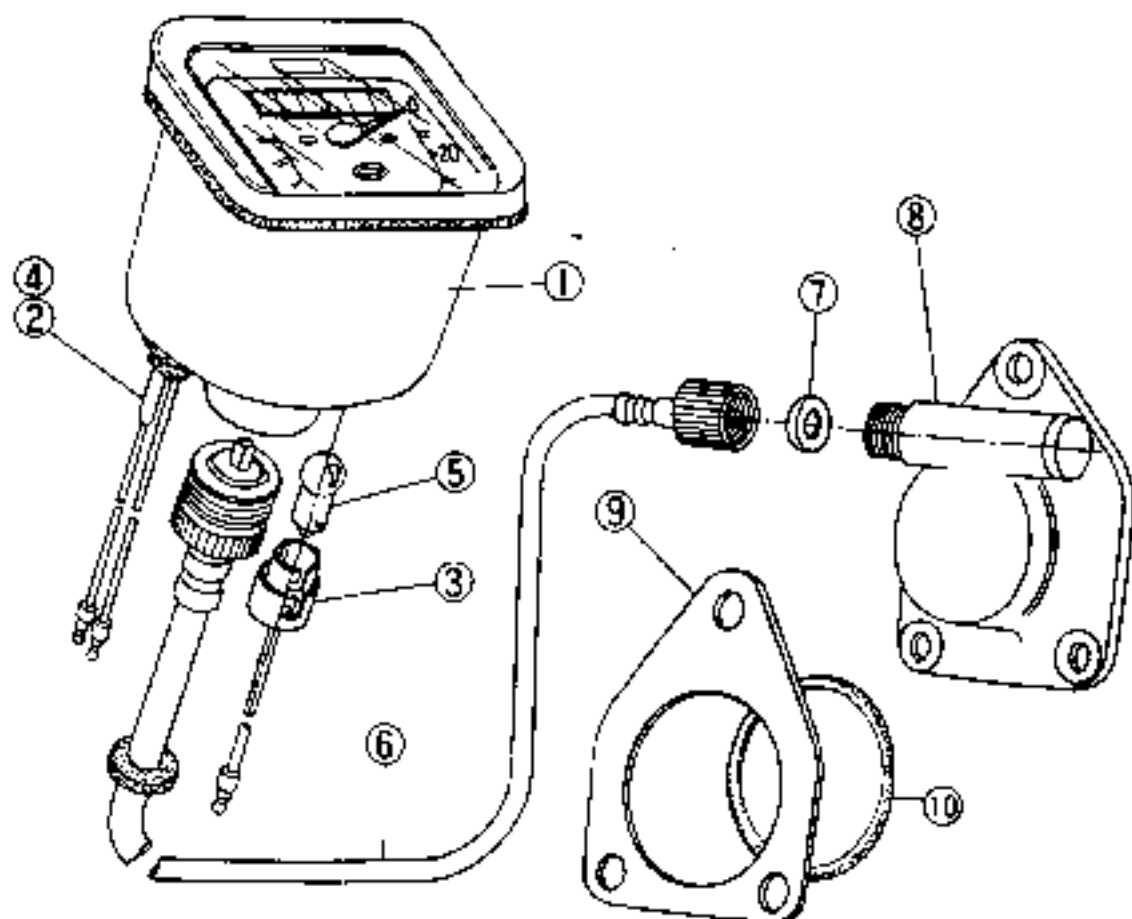


## MUFFLER

Item	Part Number	Nomenclature	Qty Req.	Remarks	B			C		
					1	2	3	1	2	3
1	245 100 000	Muffler	1	(651542000)						
2	016 006 180	Bolt	2							
3	164 720 000	Clip Band	1							
4	183 187 000	Cover (A)	1							
5	651 542 050	Packing (C)	1							
6	651 542 030	Packing (A)	5							
7	245 101 000	Washer	5							
8	021 006 220	Nut	1							
9	245 118 000	Glass Mat	1	(245113020) (245113030)						
10	032 006 000	Spring Washer	5							
11	016 006 180	Bolt	4							
12	188 232 000	Packing	1							
13	188 248 000	Exhaust Pipe	1							
14	031 006 000	Washer	1							
15	032 006 000	Spring Washer	2							

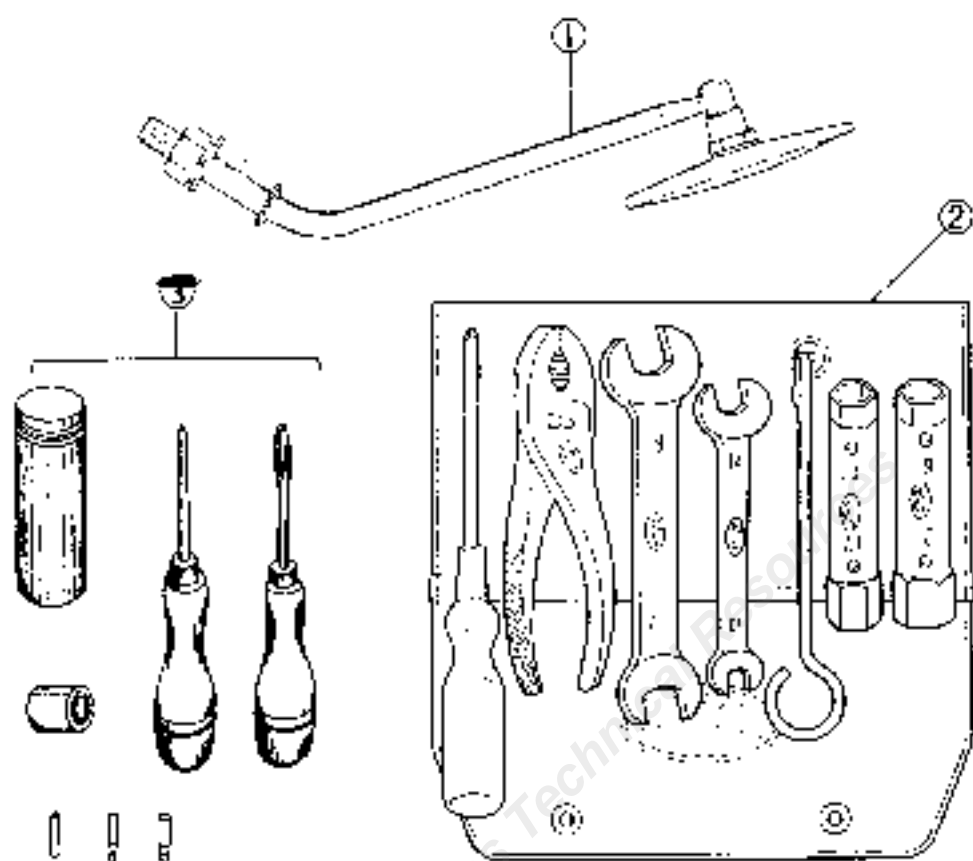
Classic Cycles Technical Resources

SPEEDOMETER (S601C-II, S601C-III)



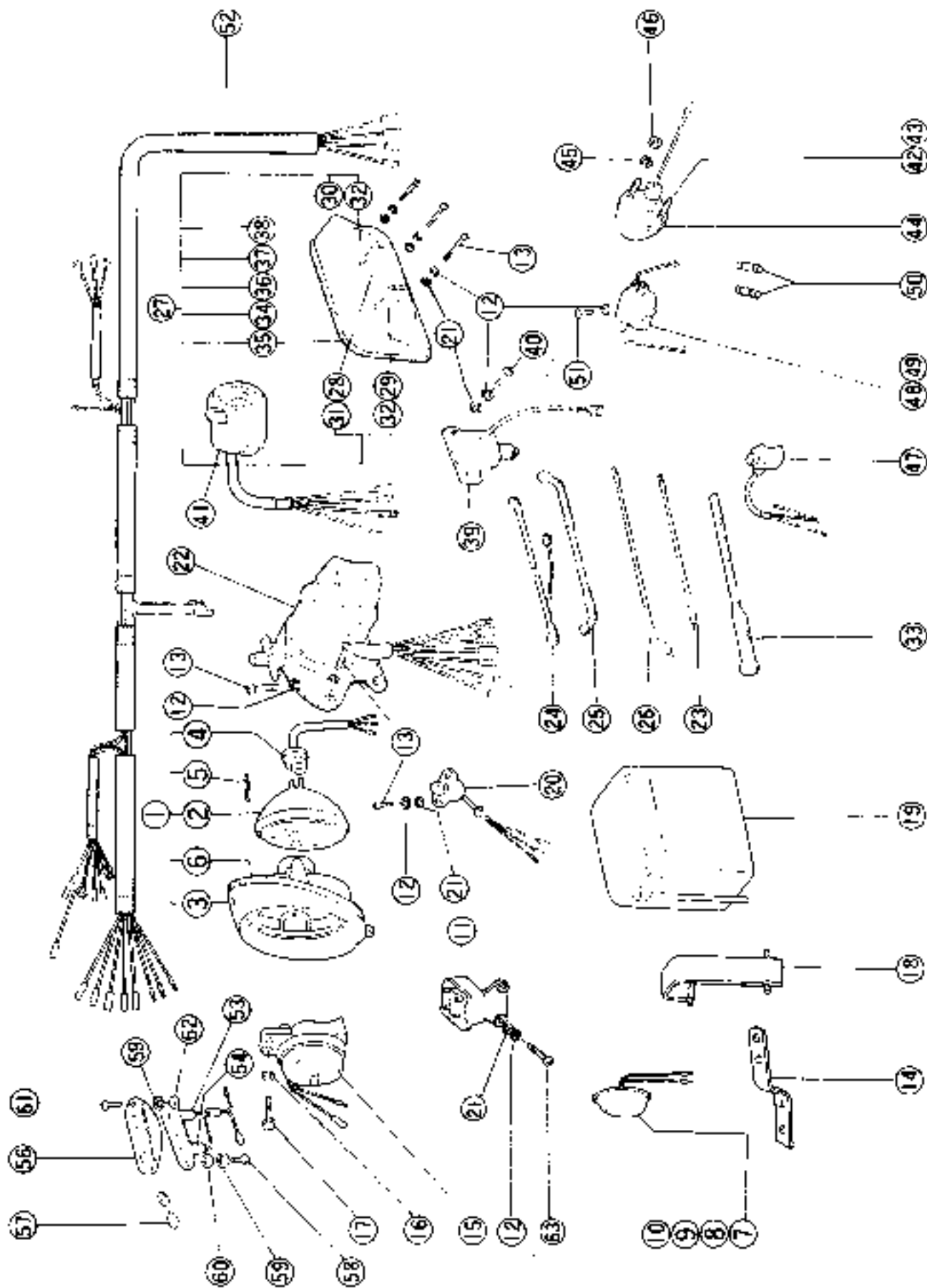
Item	Part Number	Nomenclature	Qty Req.	Remarks	R			C		
					I	II	III	I	II	III
1	288 501 030	Speedometer (mph)	1		✓	×				
	288 010 000	Speedometer (km/h)	1		×	×				
2	288 011 000	Socket	1							
3	288 011 010	Socket	1							
4	287 101 030	Bulb (12V-1.5W)	1							
5	287 101 020	Bulb (12V-3W)	1							
6	288 020 030	Speedometer Cable	1							
7	161 397 000	"O" Ring	1							
8	223 500 020	Speedometer Driving Unit	1							
9	163 005 008	Parking	1							
10	166 677 000	"O" Ring	1							

## REAR-VIEW MIRROR & TOOL KITS



Item	Part Number	Nomenclature	Qty Req.	Remarks	B	C		
						I	II	III
1	291 015 080	Rear-View Mirror	2		X	X	·	·
	291 015 000	Rear-View Mirror	2		·	·	X	X
2	162 808 000	Tool Kit	1		·	·	·	·
3	298 008 000	Tire Repair Kit	1		·	·	·	·

# ELECTRICAL SYSTEM



## ELECTRICAL SYSTEM

Item	Part Number	Nomenclature	Qty Req.	Remarks	B		C	
					1	100	1	100
1	281 110 050	Headlight	1	Includes 2-6 For Right Side Traffic.				
	281 110 070	Headlight	1	Includes 2-6. For Left Side Traffic.				
2	281 111 040	Sealed Beam Unit	1	For Right Side Traffic				
	281 111 050	Sealed Beam Unit	1	For Left Side Traffic				
3	281 113 040	Rim (Headlight)	1					
4	281 116 000	Socket (Headlight)	1					
5	281 117 000	Spring	1					
6	281 114 050	Packing (Headlight)	1					
7	281 130 080	Turn Signal Light (F-LH)	1	Includes 9,10.				
8	281 130 090	Turn Signal Light (F-RH)	1	Includes 9,10.				
9	281 131 030	Globe (Turn Signal Light, F)	2					
10	281 101 000	Bulb (32V-10W)	2					
11	281 011 021	Turn Signal Unit	1					
	162 633 000	Turn Signal Unit	1					
12	032 005 000	Spring Washer	13					
13	049 005 140	Screw (Pan Head)	9					
14	162 674 000	Bracket	1					
15	281 020 030	Horn	1					
	453 332 000	Horn	1					
16	032 008 000	Spring Washer	2					
17	016 008 200	Bolt	2					
18	281 515 050	Band (Battery)	2					
19	281 510 100	Battery (6V-18AH)	2					
	162 977 000	Battery (6V-13AH)	2					
20	281 230 040	Dimmer Switch	1					
21	031 005 000	Washer	8					
22	298 585 000	Main Switch	1					
	162 458 000	Main Switch	1					
23	281 002 040	Cord (Engine-Earth)	1					
24	281 001 030	Cord (Battery-Regulator)	1					
	165 148 020	Cord (Battery-Regulator)	1					
25	281 001 050	Cord (Battery-Battery)	1					
26	281 501 020	Cord (Battery-Earth)	1					
	165 150 000	Cord (Battery-Earth)	1					
27	281 120 070	Tail & Turn Signal Light	1	Includes 28-38.				
28	454 600 000	Globe (Tail Light)	1					
29	651 500 030	Globe (Turn Signal Light, R-LH)	1					
30	651 500 040	Globe (Turn Signal Light, R-RH)	1					
31	281 101 010	Bulb (12V-5W/15W)	1					
32	281 101 080	Bulb (12V-10W)	2					



## ELECTRICAL SYSTEM

Item	Part Number	Nomenclature	Qty Req.	Remarks	R	C		
						I	II	III
33	281 008 070	Clip	2					
34	281 122 010	Tail Light Cover	1					
35	281 008 011	Weather Strip (Tail Light)	1	(281008010)				
36	032 008 000	Spring Washer	2					
37	031 008 000	Washer	2					
38	018 008 148	Bolt	2					
39	281 220 030	Stop Switch	1		X	X		
	162 502 000	Stop Switch	1				X	X
40	018 005 120	Bolt	2	(043005120)				
	281 225 070	Turn Signal & Horn Switch	1		X	X	X	
41	281 225 030	Turn Signal & Horn Switch	1		X	X	X	X
	454 148 000	Turn Signal & Horn Switch	1					X
42	281 150 001	Parking Light	1					
43	281 101 110	Bulb (12V-15W)	1					
44	281 102 001	Globe (Parking Light)	1					
45	032 004 000	Spring Washer	2					
46	022 004 110	Nut	2					
47	281 215 030	Starter Switch	1					
48	281 010 031	Fuse Holder	1	Includes 49.	X	X		
	165 210 000	Fuse Holder	1	Includes 49.			X	X
49	281 017 000	Cover	1					
50	000 210 300	Fuse 10A	1					
	000 220 300	Fuse 20A	1					
51	043 005 140	Screw (Pan Head)	1	(043005160)				
	281 310 100	Wiring Harness	1		X	X	X	
52	281 310 040	Wiring Harness	1		X	X	X	X
	651 728 000	Wiring Harness	1				X	X
53	281 140 020	Pilot Light	1	Includes 56,57.	X	X	X	
	281 140 000	Pilot Light	1	Includes 56,57.	X	X		X
54	281 101 020	Bulb (12V-3W)	1		X	X		
55	281 101 030	Bulb (12V-1.5W)	1		X	X		
56	281 141 001	Indicator Panel	1		X	X		
57	281 143 000	Grommet	2		X	X		
58	043 003 050	Screw (Pan Head)	3		X	X		
59	032 003 000	Spring Washer	5		X			
60	031 003 000	Washer	3		X			
61	043 003 100	Screw (Pan Head)	2		X			
62	021 003 110	Nut	2		X			
63	043 005 080	Screw (Pan Head)	1		X	X	X	
	043 005 140	Screw (Pan Head)	2		X	X	X	

**INDEX  
&  
PRICE LIST**

1. When ordering spare parts, use the standard parts order sheets and be sure to give the model number.
2. When ordering painted parts, be sure to name the color.
3. Prices are subject to change with or without notice.

Classic Cycles Technical Resources

# ***MOTORCYCLE PARTS & ACCESSORIES***

*Click on links below*

*[Fuji Rabbit Scooter History & Technical Specifications](#)*

*[Motorcycle Parts & Accessories](#)*

*[Dirt Bike Parts & Accessories](#)*

*[Harley Davidson Parts & Accessories](#)*

*[Motorcycle Helmet Closeout Sale](#)*

*[Japanese Motorcycle Original Equipment Parts](#)*

*[Save On All Motorcycle Tires](#)*

*[Motorcycle Jacket Closeout Sale](#)*

*[High Visibility Motorcycle Safety Gear](#)*

*[Cycle Gear – Free Shipping](#)*

*[Women's Motorcycle Riding Gear](#)*

*[Free Shipping On All Motorcycles](#)*

*[Save Up To 80% On All Car Parts](#)*



<https://www.motorcycle-manual.com/>

[www.ClassicCycles.org](http://www.ClassicCycles.org)