

X8 800 EFI

OWNER'S MANUAL

READ THIS MANUAL CAREFULLY

It contains important safety information



CFMOTO

WARNING

Improper vehicle use can result in SEVERE INJURY or DEATH

NEVER Operate:

- Without first viewing owner's manual and quick start guide.
- With more than one passenger.
- On public roads.
- On paved surfaces-pavement may seriously affect handling and control.
- With Non-CFMOTO approved accessories.

ALWAYS:

- Keep hands and feet inside vehicle.
- Reduce speed and use extra caution when carrying a passenger.
- Operate slowly in reverse-avoid sharp turns or sudden braking.
- Make sure passenger reads and understands all safety labels.
- Watch for branches or other hazards that could enter vehicle.

⚠️ WARNINGS FOR TYPE II ATV



**ALWAYS USE
AN APPROVED
HELMET AND
PROTECTIVE
GEAR**



**NEVER USE
ON PUBLIC
ROADS**



**NEVER CARRY
MORE THAN
1 PASSENGER**



**NEVER USE
WITH DRUGS
OR ALCOHOL**

Locate and Read Owner's manual, Follow all INSTRUCTIONS and WARNINGS. If the Owner's manual is missing, contact a CFMOTO dealer for replacement.

⚠ WARNING

Read, understand, and follow all of the instructions and safety precautions in this manual and on all product labels. Failure to follow the safety precautions could result in serious injury or death.

⚠ WARNING

The engine exhaust gas from this product contains CO, which is deadly gas and could cause headache, giddy, or lose consciousness, even death.

INSTRUCTIONS

Thank you for purchasing a CFMOTO vehicle, and welcome to join our worldwide family of CFMOTO owners.

We proudly produce an exciting line of utility and recreational products.

- All terrain vehicle (ATV)
- Utility vehicle (patrol, forest protecting and hunting)
- Motorcycles and scooters

CFMOTO, a company which is specialized in production of liquid-cooled engine, is the top-level supplier in China. Compared to same displacement of air-cooled engine, engine cooling effect is better, oil temperature can be adjusted more freely, more powerful and lower fuel consumption, longer engine working life.

For safe and enjoyable operation of your vehicle, be sure to follow the instructions and recommendations in this owner's manual. Your manual contains instructions for minor maintenance, information about major repairs are outlined in the CFMOTO service manual and should be performed only by CFMOTO service dealer and technician.

Your CFMOTO dealer knows your vehicle best and is interested in your total satisfaction. Be sure to return to your dealership for all of your service.

Due to constant improvements in the design and quality of production components, some minor discrepancies may result between the actual vehicle and the information presented in this publication. Depictions and/or procedures in this publication are intended for reference use only.

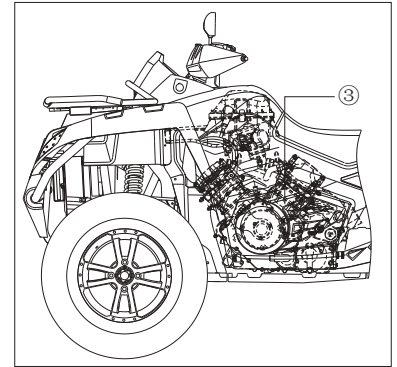
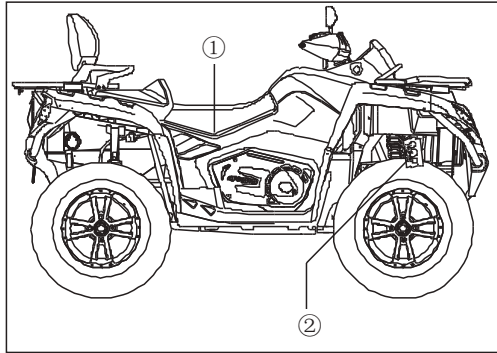
TABLE OF CONTENTS

VIN No	6
Operator Safety	7
Safety Decals	31
Safe Riding Gear	35
Features and Controls	36
Operation	54
Driving Safety	64
Maintenance & Lubrication	76
Cleaning & Storage	117
Troubleshooting	123
Specifications	132
Wiring diagram	138

VEHICLE IDENTIFICATION NUMBER

Record your ATV's identification numbers in the spaces provided, Remove the spare key and store in a safe place. Your key can be duplicated only by mating key blank with one of your existing keys. If both keys are lost, the complete lock kits have to be replaced.

LOCATION OF VEHICLE IDENTIFICATION NUMBER



① **Vehicle identification number:** _____

② **Vehicle model number:** _____

③ **Engine serial number:** _____

OPERATOR SAFETY

⚠️ WARNING

Failure to heed the warnings contained in this manual can result in serious injury or death. An ATV is not a toy and can be hazardous to operate. This vehicle handles differently from other vehicles, such as motorcycles and cars.

Read this owner's manual. Understand all safety warnings, precautions and operating procedures before operating an ATV.

A collision or rollover can occur quickly, even during routine maneuvers, like turning, or over obstacles, if you fail to take proper precautions.

AGE RESTRICTIONS

This vehicle is an ADULT VEHICLE ONLY. Operation is prohibited for anyone under the age of 16.

KNOW YOUR VEHICLE

As the operator of the vehicle, you are responsible for your personal safety, the safety of others, and the protection of our environment. Read and understand your owner's manual, which includes valuable information about all aspects of your vehicle, including safe operating procedures.

OPERATOR SAFETY

SAFETY TRAINING

When you purchased your new ATV, your dealer offered a hands-on safety-training course that covers all aspects of vehicle safety. You were also provided with printed materials that explain safe operating procedures. You should review this information on a regular basis. If you purchased a used ATV from a party other than a dealer, you can request this free safety training from any authorized dealer.

Familiarize yourself with all laws and regulations concerning the operation of this vehicle in your area. We strongly advise you to strictly follow the recommended maintenance program outlined in your owner's manual. This preventive maintenance program is designed to ensure that all critical components on your vehicle are thoroughly inspected at specific intervals. The following signal words and symbols appear throughout this manual and on your ATV. Your safety is involved when these words and symbols are used. Become familiar with their meanings before reading the manual.

WARNING

The safety alert symbol below indicates a potential personal injury hazard or death and or damage to the vehicle.

OPERATOR SAFETY

⚠ CAUTION

A caution indicates a situation that may result in damage to the vehicle.

⚠ NOTE

A note will alert you to important information or instructions.

⚠ WARNING

Serious injury or death can result if you don't follow these instructions and procedures, which are outlined in further detail within your owner's manual.

- Read this manual and all labels carefully, and follow the operating procedures described.
- Never operate an ATV without proper instruction. Take a training course. Beginners should receive training from a certified instructor. Contact an authorized ATV dealer to find out about the training courses nearest you.
- Never allow anyone under 16 years of age to operate this ATV.
- Never permit a guest to operate the ATV unless the guest has read this manual and all product labels and has completed a certified safety training course.
- Never operate an ATV without wearing an approved helmet that fits properly. Always wear eye protection (goggles or face shield), gloves, boots, a long-sleeved shirt or jacket, and long pants.
- Never consume alcohol or drugs before or while operating an ATV.
- Never operate at excessive speeds. Travel at speeds appropriate for the terrain, visibility and operating conditions, and your experience.
- Never attempt wheelies, jumps or other stunts.

OPERATOR SAFETY

- Always inspect your ATV before each use to make sure it is in safe operating condition.
- Always follow the inspection and maintenance procedures and schedules outlined in your owner's manual.
- Always keep both hands on the handlebars and both feet on the foot- rests of the ATV during operation.
- Always travel slowly and use extra caution when operating on unfamiliar terrain.
- Be alert to changing terrain conditions.
- Never operate on excessively rough, slippery, or loose terrain.
- Always follow proper turning procedures as described in this manual. Practice turning your ATV at low speeds, before attempting to turn at faster speeds. Do not turn at excessive speeds.
- Always have the ATV inspected by an authorized dealer if it's been involved in an accident.
- Never operate on hills too steep for the ATV or for your abilities. Practice on smaller hills before attempting larger hills.
- Always follow proper procedures for climbing hills. Check the terrain carefully before ascending a hill.
- Never climb hills with excessively slippery or loose surfaces. Shift your weight forward.
- Never open the throttle suddenly or make sudden gear changes. Never go over the top of a hill at high speed.
- Always follow proper procedures for going downhill and for braking on hills. Check the terrain carefully before you start down a hill. Shift your weight backward.

OPERATOR SAFETY

- Never go down a hill at high speed.
- Avoid going down a hill at an angle, which would cause the vehicle to lean sharply to one side. Travel straight down the hill when possible.
- Always follow proper procedures for crossing the side of a hill. Avoid hills with excessively slippery or loose surfaces. Shift your weight to the uphill side of the ATV. Never attempt to turn the ATV around on any hill until you've mastered (on level ground) the turning technique outlined in this manual.
- Avoid crossing the side of a steep hill when possible.
- Always use proper procedures if you stall or roll backwards while climbing a hill. To avoid stalling, maintain a steady speed when climbing a hill. If you stall or roll backwards, follow the special procedure for braking described in this manual.
- Always dismount on the uphill side, or to either side if the ATV is pointed straight uphill. Turn the ATV around and remount following the procedure described in this manual.
- Always check for obstacles before operating in a new area. Never attempt to operate over large obstacles, such as rocks or fallen trees. Always follow proper procedures when operating over obstacles as described in this manual.
- Always be careful of skidding or sliding. On slippery surfaces like ice, travel slowly and use extra caution to reduce the chance of skidding or sliding out of control.
- Avoid operating the ATV through deep or fast-flowing water. If it is unavoidable, travel slowly, balance your weight carefully, avoid sudden movements, and maintain a slow and steady forward motion.
- Do not make sudden turns or stops, and do not make sudden throttle changes.

OPERATOR SAFETY

- Wet brakes may have reduced stopping ability. Test your brakes after leaving water. If necessary, apply them lightly several times to allow friction to dry out the pads.
- Always check for obstacles or people behind the ATV before operating in reverse. When it's safe to proceed in reverse, move slowly and avoid turning at sharp angles.
- Always use the size and type of tires specified for your ATV, and always maintain proper tire pressure.
- Never modify an ATV through improper installation or use of accessories.
- Never exceed the stated load capacity for your ATV. Cargo must be properly distributed and securely attached. Reduce speed and follow the instructions in this manual for carrying cargo or towing. Allow a greater distance for braking.
- Always remove the ignition key when the vehicle is not in use to prevent unauthorized use or accidental starting.
- Child or pets cannot be carried on the racks.
- Never touch running parts, such as wheels, drive shaft, etc.

FOR MORE INFORMATION ABOUT ATV SAFETY, PLEASE CONTACT WITH YOUR DEALER.

OPERATOR SAFETY

EQUIPMENT MODIFICATIONS

We are concerned with the safety of our customers and for the public. Therefore, we strongly recommend that consumers do not install on an ATV any equipment that may increase the speed or power of the vehicle, or make any other modifications to the vehicle for these purposes. Any modifications to the original equipment of the vehicle create a substantial safety hazard and increase the risk of body injury. The warranty on your ATV is terminated if any equipment has been added to the vehicle, or if any modifications have been made to the vehicle, that increases its speed or power.

NOTE

The addition of certain accessories, including (but not limited to) mowers, blades, tires, sprayers, or large racks, may change the handling characteristics of the vehicle. Use only approved accessories and familiarize yourself, with their function, and effect on the vehicle.

OPERATOR SAFETY

⚠️ WARNING

POTENTIAL HAZARD

Operating this ATV without proper instruction

WHAT CAN HAPPEN

The risk of an accident is greatly increased if the operator does not know how to operate the ATV properly in different situations and on different types of terrain.

HOW TO AVOID THE HAZARD

Beginning and inexperienced operator should complete the certified training course offered by dealer. Operators should regularly practice the skills learned in the course and the operating techniques described in the owner's manual.

⚠️ WARNING

POTENTIAL HAZARD

Failure to follow the age recommendations for this ATV

WHAT CAN HAPPEN

Severe injury and/or death could occur if a child under the minimum age recommendation operates an ATV. Even though a child may be within the recommended age group for operating some ATVs, he/she may not have the skills, abilities or judgment needed to operate an ATV safely and could be susceptible to accident or injury.

HOW TO AVOID THE POTENTIAL

Operation is prohibited for anyone less than 16 years of age.

OPERATOR SAFETY

⚠ WARNING

POTENTIAL HAZARD

Carrying passengers more than the rated passenger capacity

WHAT CAN HAPPEN

This is a 2-person ATV. Only 1 passenger is allowed. Carrying 2 or more passengers greatly reduces the operator's ability to balance and control the ATV, which could cause an accident and injury to the operator and/or passengers.

HOW TO AVOID THE HAZARD

Never carry 2 or more passengers on this ATV.

⚠ WARNING

POTENTIAL HAZARD

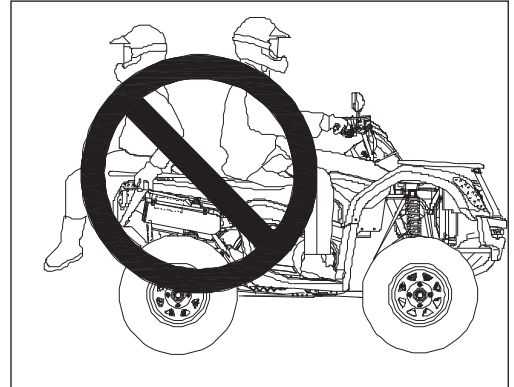
Carrying a passenger on the rear rack

WHAT CAN HAPPEN

A passenger riding in the rear rack could be ejected, from the vehicle unexpectedly, or may contact moving components; both of which can result in severe injury or death.

HOW TO AVOID THE HAZARD

Never allow passengers to ride in the rear rack.



OPERATOR SAFETY

⚠️ WARNING

POTENTIAL HAZARD

Operating this ATV without wearing an approved helmet, eye protection, and protective clothing

WHAT CAN HAPPEN

Operating an ATV without an approved helmet increases the risk of a severe head injury or death in the event of an accident. Operating without eye protection could result in an accident and could increase the chance of a severe eye injury in the event of an accident.

HOW TO AVOID THE HAZARD

Always wear an approved helmet that fits properly.

Always wear eye protection (goggles or face shield), gloves, long-sleeved shirt or jacket, and long pants.



OPERATOR SAFETY

⚠ HAZARD

POTENTIAL HAZARD

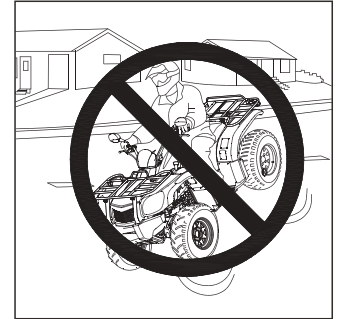
Operate on sidewalks, parking areas or streets.

WHAT CAN HAPPEN

ATV tire is designed only for off-road condition. Driving on roads will possibly cause out of control, ATV operation and/or accident.

HOW TO AVOID HAZARD

Never drive on roads. In case it is unavoidable, Slow down vehicle speed and do not make a sudden turn and/or braking.



⚠ HAZARD

POTENTIAL HAZARD

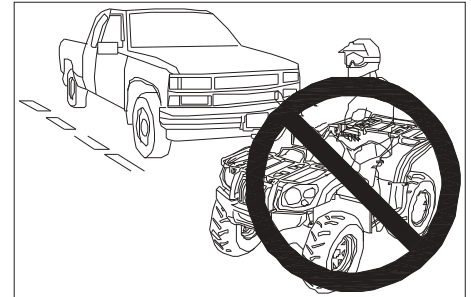
Operate on sidewalks, parking areas or streets.

WHAT CAN HAPPEN

It is possible to cause a traffic accident.

HOW TO AVOID HAZARD

Never operate ATV on any public streets, roads or highways (including sand gravel roads) . It is not legal to drive on public streets, roads or highways in many countries



OPERATOR SAFETY

⚠ WARNING

POTENTIAL HAZARD

Operating the ATV after consuming alcohol or drugs

WHAT CAN HAPPEN

Consumption of alcohol and/or drugs could seriously affect operator judgment. Reaction time may be slower and operator balance and perception could be affected.

Consumption of alcohol and/or drugs before or while operating an ATV, could result in an accident causing severe injury or death.

HOW TO AVOID THE HAZARD

Never consume alcohol or drugs before or while operating an ATV.



⚠ WARNING

POTENTIAL HAZARD

Operating the ATV at excessive speeds.

WHAT CAN HAPPEN

Excessive speed increases the operator's chance of losing control of the ATV, which can result in an accident.

HOW TO AVOID THE HAZARD

Always operate the ATV at a speed that is proper for the terrain, visibility and operating conditions, and your experience.

OPERATOR SAFETY

⚠️ WARNING

POTENTIAL HAZARD

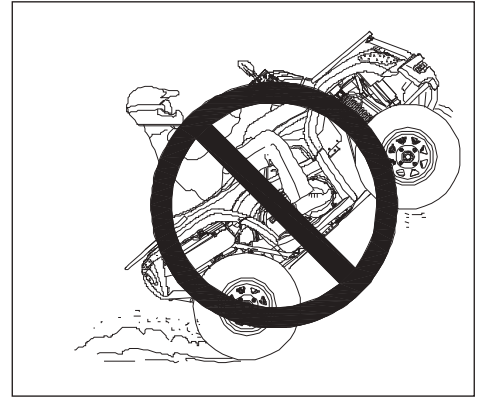
Attempting wheelies, jumps and other stunts.

WHAT CAN HAPPEN

Attempting stunts increases the chance of an accident including an overturn.

HOW TO AVOID THE HAZARD

Never attempt wheelies, jumps, or other stunts.
Avoid exhibition driving.



⚠️ WARNING

POTENTIAL HAZARD

Failure to inspect the ATV before operating. Failure to properly maintain the ATV.

WHAT CAN HAPPEN

Poor maintenance increases the possibility of an accident or equipment damage.

HOW TO AVOID THE HAZARD

Always inspect your ATV before each use to make sure it's in safe operating condition.
Always follow the inspection and maintenance procedures and schedules described in the owner's manual.

OPERATOR SAFETY

⚠ WARNING

POTENTIAL HAZARD

Removing hands from the handlebars or feet from the footrests during operation.

WHAT CAN HAPPEN

Removing even one hand or foot can reduce ability to control the vehicle or could cause loss of balance and ejection from the ATV. If the operator's foot is not firmly planted on the footrest, it could come into contact, with the rear wheels and lead to accident or injury.

HOW TO AVOID THE HAZARD

Always keep both hands on the handlebars and both feet on the footrests of the ATV during operation.

⚠ WARNING

POTENTIAL HAZARD

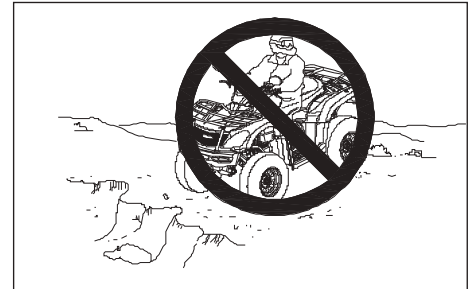
Failure to use extra caution when operating the ATV on unfamiliar terrain.

WHAT CAN HAPPEN

Unfamiliar terrain may contain hidden rocks, bumps, or holes that could cause loss of control or overturn.

HOW TO AVOID THE HAZARD

Travel slowly and use extra caution when operating on unfamiliar terrain. Always be alert to changing terrain conditions.



OPERATOR SAFETY

⚠ WARNING

POTENTIAL HAZARD

Failure to use extra caution when operating on excessively rough, slippery, or loose terrain.

WHAT CAN HAPPEN

Operating on excessively rough, slippery, or loose terrain could cause loss of traction or loss of control, which could result in an accident or overturn.

HOW TO AVOID THE HAZARD

Do not operate on excessively rough, slippery, or loose terrain until you have learned and practiced the skills necessary to control the ATV on such terrain. Always use extra caution on rough, slippery, or loose terrain.

⚠ WARNING

POTENTIAL HAZARD

Turning improperly.

WHAT CAN HAPPEN

Improper turns could cause loss of control and lead to a collision or overturn.

HOW TO AVOID THE HAZARD

Always follow proper procedures or turning as described in the owner's manual. Practice turning at slower speeds before attempting to turn at faster speeds. Never turn at excessive speed.



OPERATOR SAFETY

⚠️ WARNING

POTENTIAL HAZARD

Operating on excessively steep hills.

WHAT CAN HAPPEN

The vehicle may overturn.

HOW TO AVOID THE HAZARD

Never operate on hills too steep for the ATV or for your abilities. Never operate the ATV on hills steeper than 22°. Practice on smaller hills before attempting large hills.

⚠️ WARNING

POTENTIAL HAZARD

Climbing hills improperly.

WHAT CAN HAPPEN

Improper hill climbing could cause loss of control or overturn.

HOW TO AVOID THE HAZARD

Always follow proper procedures for climbing hills as described in the owner's manual. Always check the terrain carefully before ascending any hill. Never operate the ATV on hills steeper than 22°. Never climb hills with excessively slippery or loose surfaces. Shift your weight forward. Never open the throttle suddenly while traveling uphill. The ATV could flip over backwards. Never go over the top of any hill at high speed. An obstacle, a sharp drop, or another vehicle or person could be on the other side of the hill.



OPERATOR SAFETY

⚠️ WARNING

POTENTIAL HAZARD

Traveling downhill improperly.

WHAT CAN HAPPEN

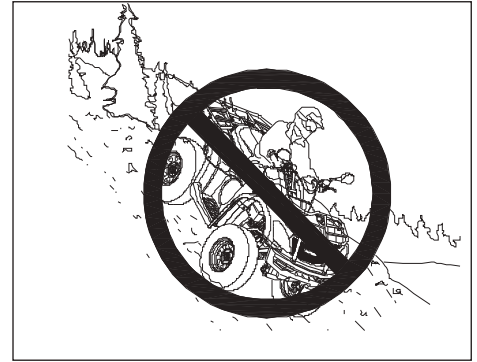
Improperly descending a hill could cause loss of control or overturn.

HOW TO AVOID THE HAZARD

Always follow proper procedures for travelling down hills as described in the owner's manual.

⚠️ NOTE

A special technique is required when braking while traveling downhill. See page 68. Always check the terrain carefully before descending a hill. Shift your weight backward. Never travel down a hill at high speed. Avoid traveling down a hill at an angle, which would cause the vehicle to lean sharply to one side. Travel straight down the hill when possible.



OPERATOR SAFETY

⚠ WARNING

POTENTIAL HAZARD

Improperly crossing hills and turning on hills.

WHAT CAN HAPPEN

Improperly crossing or turning on hills could cause loss of control or overturn.

HOW TO AVOID THE HAZARD

Never attempt to turn the ATV around on any hill until you have mastered the turning technique (on level ground) as described in the owner's manual. See page 67.

Use extra caution when turning on any hill. Avoid crossing the side of a steep hill.

WHEN CROSSING THE SIDE OF A HILL

Always follow proper procedures as described in the owner's manual.

Avoid hills with excessively slippery or loose surfaces. Shift your weight to use uphill side of the ATV.



OPERATOR SAFETY

⚠ WARNING

POTENTIAL HAZARD

Stalling, rolling backwards, or improperly dismounting while climbing a hill.

WHAT CAN HAPPEN

The vehicle could overturn.

HOW TO AVOID THE HAZARD

Maintain steady speed when climbing a hill. Keep your weight uphill. Apply the front brake. When fully stopped, apply the rear brake as well, then shift the gear to parking.

IF THE ATV BEGINS ROLLING BACKWARD:

Keep weight uphill. Never apply engine power.

Never apply the rear brake while rolling backwards. Apply the front brake. When fully stopped, apply the rear brake as well, and shift the gear to parking. Dismount on uphill side, or to either side if ATV is pointed straight uphill. Turn the ATV around and remount, following the procedure described in the owner's manual. See Page 69.



OPERATOR SAFETY

⚠️ WARNING

POTENTIAL HAZARD

Improperly operating over obstacles.

WHAT CAN HAPPEN

Operating over obstacles could cause loss of control or overturn.

HOW TO AVOID THE HAZARD

Before operating in a new area, check for obstacles. Avoid operating over large obstacles such as rocks and fallen trees when possible. If unavoidable, use extreme caution and always follow proper procedures as outlined in the owner's manual.

⚠️ WARNING

POTENTIAL HAZARD

Skidding or sliding.

WHAT CAN HAPPEN

Skidding or sliding can cause loss of control. If the tires regain traction unexpectedly, the ATV could overturn.

HOW TO AVOID THE HAZARD

On slippery surface such as ice, travel slowly and use extra caution to reduce the chance of skidding or sliding out of control.

OPERATOR SAFETY

⚠️ WARNING

POTENTIAL HAZARD

Overloading the ATV or carrying/towing cargo improperly.

WHAT CAN HAPPEN

Overloading and towing can cause changes in vehicle handling, which could lead to loss of control or an accident.

HOW TO AVOID THE HAZARD

Never exceed the stated load capacity for this ATV.

Cargo should be properly distributed and securely attached. Reduce speed when carrying cargo or pulling a trailer. Allow a greater distance for braking. Always follow the instructions in the owner's manual for carrying cargo or pulling a trailer. See page 63.

⚠️ WARNING

POTENTIAL HAZARD

Operation the ATV through deep or fast-flowing water.

WHAT CAN HAPPEN

Tires may float, causing loss of traction and loss of control, which lead to an accident or overturn.

HOW TO AVOID THE HAZARD

Avoid operating the ATV through deep or fast-flowing water. If it is unavoidable to enter water that exceeds the recommended maximum depth (see page 69), travel slowly, balance your weight carefully, avoid sudden movements, and maintain a slow and steady forward motion. Do not make sudden turns or stops, and do not make sudden throttle changes. Wet brakes may have reduced stopping ability. Always test the brakes after leaving water. If necessary, apply brakes several times to dry out the pads.

OPERATOR SAFETY

⚠️ WARNING

POTENTIAL HAZARD

Improperly operating in reverse.

WHAT CAN HAPPEN

The ATV could collide with an obstacle or person, resulting in severe injury.

HOW TO AVOID THE HAZARD

Before shifting into reverse gear, always check for obstacles or people behind the ATV. When it is safe to proceed, back slowly.

⚠️ WARNING

POTENTIAL HAZARD

Operating this ATV with improper tires, or with improper or uneven tire pressure.

WHAT CAN HAPPEN

Use of improper tires, or operation of the ATV with improper or uneven tire pressure, could cause loss of control or accident.

HOW TO AVOID THE HAZARD

Always use the size and type of tires specified in the owner's manual for the ATV. Always maintain proper tire pressure.

OPERATOR SAFETY

⚠️ WARNING

POTENTIAL HAZARD

Operating the ATV with improper modifications.

WHAT CAN HAPPEN

Improper installation of accessories or modification of the ATV may cause changes in handling which could lead to an accident.

HOW TO AVOID THE HAZARD

Never modify the ATV through improper installation or use of accessories. All parts and accessories added to the vehicle must be genuine parts or equivalent components designed for use on this ATV and should be installed and used according to approved instructions. Consult your dealer for more information.

⚠️ WARNING

POTENTIAL HAZARD

Operating on frozen bodies of water.

WHAT CAN HAPPEN

Severe injury or death can result if the ATV and or the operator fall through the ice.

HOW TO AVOID THE HAZARD

Never operate the ATV on a frozen body of water.

⚠️ WARNING

Leaving the keys in the ignition can lead on unauthorized use of the vehicle resulting in serious injury or death. Always remove the ignition key when the vehicle is not in use.

OPERATOR SAFETY

⚠️ WARNING

After any overturn or accident, have a qualified service dealer inspect the entire vehicle for possible damage, including (but not limited to) brakes, throttle and steering systems.

⚠️ WARNING

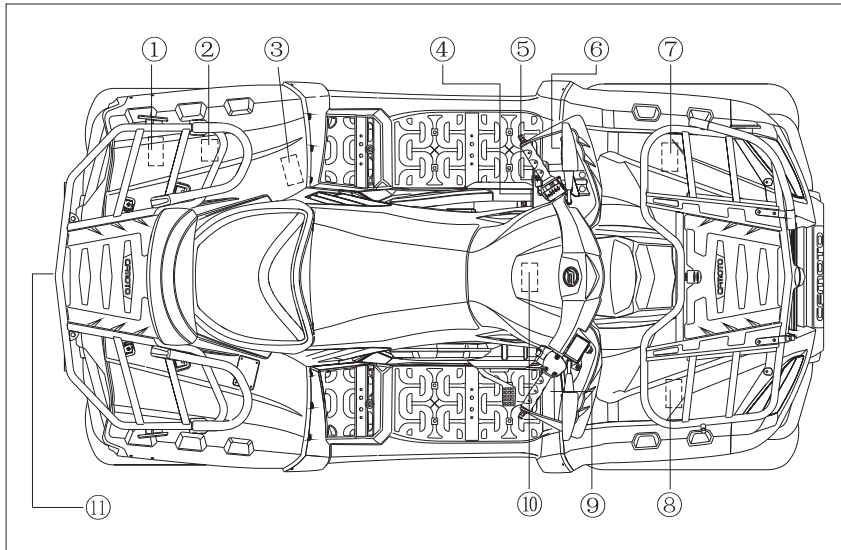
Safe operation of this rider-active vehicle requires good judgment and physical skills. Persons with cognitive or physical disabilities who operate this vehicle have an increased risk of overturn and loss of control, which could result in severe injury or death.

⚠️ WARNING

Exhaust system components are very hot during and after use of the vehicle. Hot components can cause serious burns and fire. **DO NOT TOUCH** hot exhaust system components. Always keep combustible materials away from the exhaust system. Use caution when traveling through tall grass, especially dry grass.

SAFETY DECALS AND LOCATIONS

Warning decals have been placed on the ATV for your protection. Read and follow the instructions on each decal carefully. If a decal becomes illegible or comes off, contact your dealer to purchase a replacement.

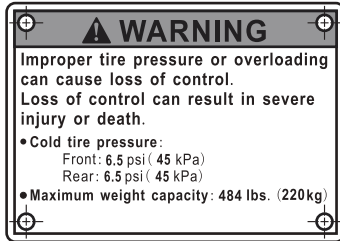


SAFETY DECALS AND LOCATIONS

①



②



③



④

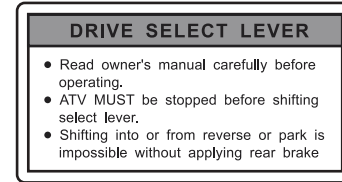


SAFETY DECALS AND LOCATIONS

⑥



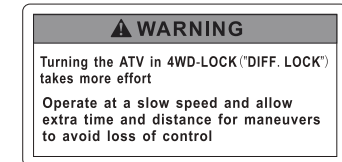
⑤



⑦



⑧



SAFETY DECALS AND LOCATIONS

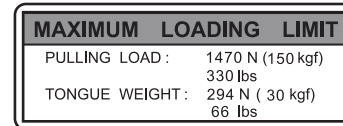
⑨



⑩



⑪



SAFE RIDING GEAR

Always wear clothing suited to the type of riding. ATV riding requires special protective clothing for comfort and to reduce the chance of injury.

1. HELMET

Your helmet is the most important piece of protective gear for safe riding. An approved helmet can prevent a severe head injury.

2. EYE PROTECTION

Do not depend on sunglasses for proper eye protection. A pair of goggles or a helmet face shield offers the best protection for your eyes. They should be kept clean and be shatterproof design.

3. GLOVES

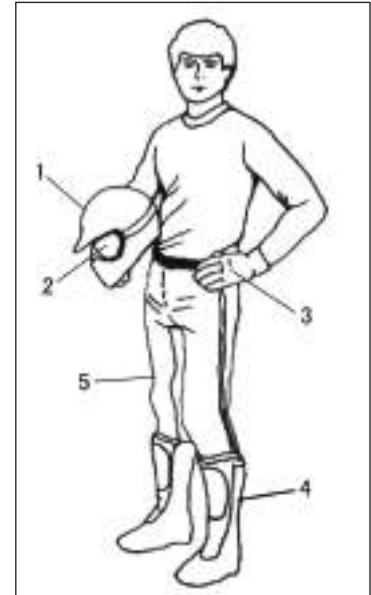
Off-road style gloves with knuckle pads are the best for comfort and protection.

4. BOOTS

The best footwear is a pair of strong over-the-calf boots with heels, like moto-cross boots.

5. CLOTHING

Always wear long sleeves and long pants to protect arms and legs. Riding pants with kneepads and a jersey with shoulder pads provide the best protection.



FEATURES AND CONTROLS

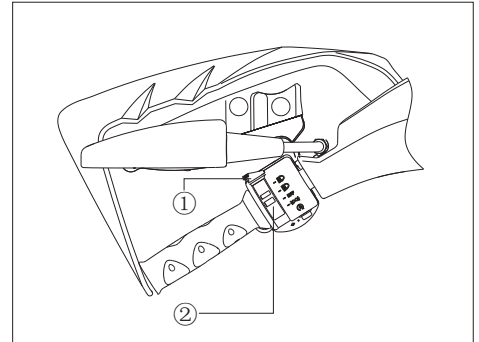
ELECTRICAL SWITCHES

⚠ WARNING

Pressing the override button while the throttle is open can cause loss of control, which may result in severe injury or death. Always release the throttle before pressing the override button.




Override Button (1)


Top speed is normally limited when operating in 4WDLOCK and REVERSE. If conditions require more engine power when proceeding, press this button to override the speed limiting function. See page 49 for a detailed explanation about the front diff-lock switch and its function. Releasing the button restores the speed limiting function. While this button is depressed, the override indicator light will come on.




FEATURES AND CONTROLS

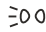
HEADLIGHT SWITCH (2)

The headlight switch consists of 4 positions: “ ”, “ ”, “OFF” , “ ” .

 : When the switch is at this position, Hi beam, front pilot light, tail light, license plate light and instrument light are on.

 : When the switch is at this position, Lo beam, front pilot light, tail light, license plate light and instrument light are on.

OFF: When the switch is at this position, tail light, license plate light is off.

 : When the switch is at this position, front pilot light, tail light, license plate light and instrument light are on.

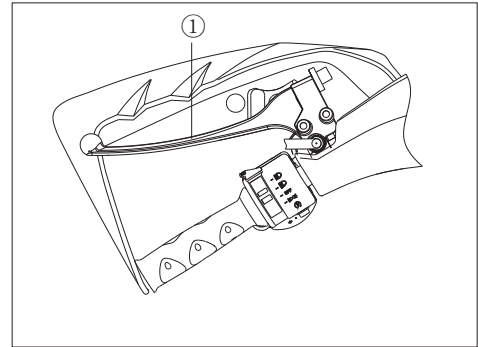
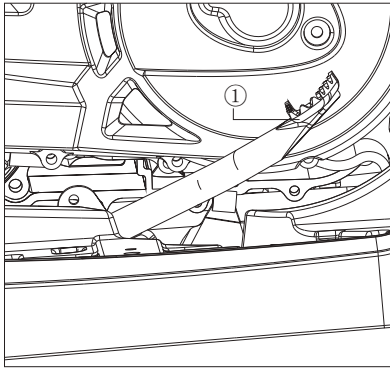
CAUTION

Do not use the headlights with the engine turned off for more than 15 minutes. The battery may discharge to the point that the starter motor will not operate properly. If this should happen, remove the battery and recharge it.

FEATURES AND CONTROLS

BRAKE PEDAL AND LEVER

Brake pedal (1) is located on the right side of the machine and the brake lever (1) is located on the left handlebar. They are based on the same braking system. Push down on the pedal or pull the lever toward the handlebar to apply both the front and rear brakes.



⚠WARNING

Operating the ATV with a spongy brake lever or pedal can result in loss of control, which could cause an accident. Never operate a spongy-feeling brake lever or pedal. Always test brake lever travel.

FEATURES AND CONTROLS

Check master cylinder fluid level before riding. When squeezed, the lever or pedal should feel firm. Any sponginess would indicate a possible fluid leak or low master cylinder fluid level, which must be corrected before riding. Contact your dealer for proper diagnosis and repairs.

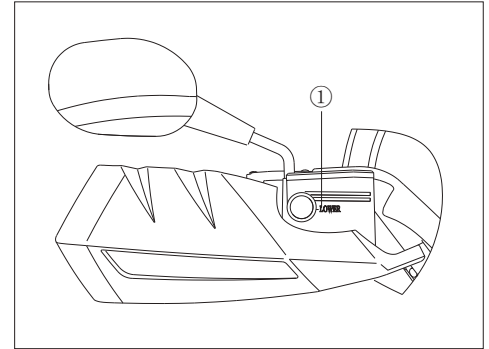
BRAKE FLUID

Check the brake fluid level in the front brake, master cylinder and in the brake fluid reservoir before each use of the ATV. The front brake, master cylinder is located on the right handlebar.

The brake fluid reservoir is near the right passenger footrest. The front brake, fluid level can be seen through an indicator window on the side of the master cylinder. When fluid level is lower than the (1) “lower” mark, refill with the same type of brake fluid.

⚠ WARNING

An over-full master cylinder may cause brake drag or brake lock-up, which could result in serious injury or death. Maintain brake fluid at the recommended level. Do not overfill.



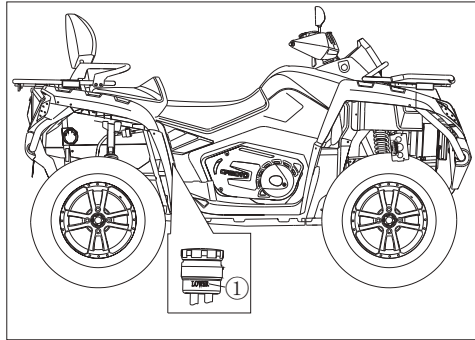
FEATURES AND CONTROLS

⚠ NOTE

When checking the fluid level, the ATV must be on level ground with the handlebars straight. If fluid level is lower than the (1) “lower” mark, add DOT3 or DOT4 brake fluid. Don't overfill.

⚠ WARNING

Never store or use a partial bottle of brake fluid. Brake fluid is hygroscopic, meaning it rapidly absorbs moisture from the air. The moisture causes the drop of boiling temperature of the brake fluid, which can lead to early brake fade and the possibility of accident or severe injury. After opening a bottle of brake fluid, always discard any unused portion.



FEATURES AND CONTROLS

PARKING BRAKE

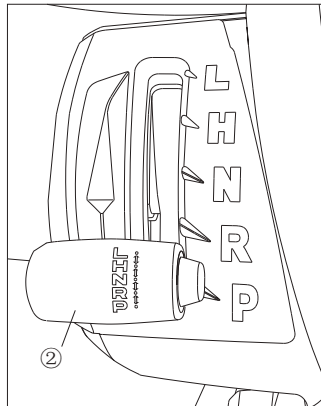
When parking, stop the engine and shift the gear selector Lever (2) into the park position.

⚠ CAUTION

When shifting the transmission in PARK, always push the brake pedal. Shake the vehicle forward and backward to check if the parking brake is engaged.

IMPORTANT SAFEGUARDS

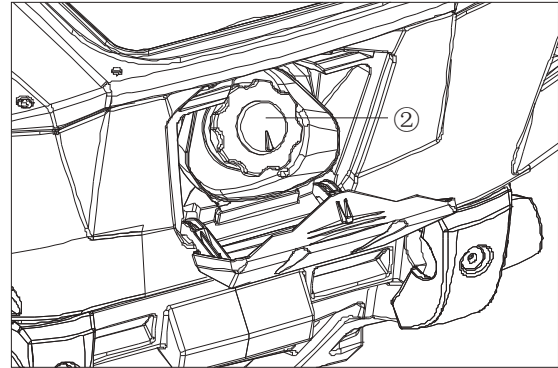
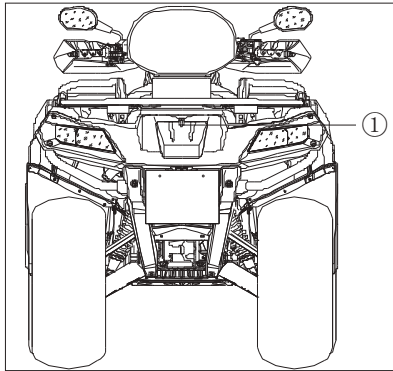
Never depend on the parking brake alone if the ATV is parked on a hill. Always block the wheels on the downhill side of the ATV to prevent rolling. It is recommended to park the ATV on a level ground.



FEATURES AND CONTROLS

FUEL TANK

Fuel tank cap (2) is located on the rear of the vehicle remove the plastic cover (1) to fill the ATV open the fuel tank cap, insert the ignition key into the key hole and turn clockwise. The fuel tank cap cannot be locked without the key inserted.



FEATURES AND CONTROLS

FUEL SAFETY

WARNING

Gasoline is highly flammable and explosive under certain conditions.

Always exercise extreme caution whenever handling gasoline.

Always refuel with the engine stopped, and outdoors or in a well-ventilated area.

Never carry a plastic container with gasoline in the racks while riding. Static electricity between the rack and container could cause a spark.

Do not smoke or allow open flames or sparks in or near the area where refueling is performed or where gasoline is stored.

Do not overfill the tank. Do not fill the tank neck.

If gasoline spills on your skin or clothing, immediately wash it off with soap and water and change clothing.

Never start the engine or let it run in an enclosed area. Engine exhaust fumes are poisonous and can cause loss of consciousness or death in a short time.

WARNING

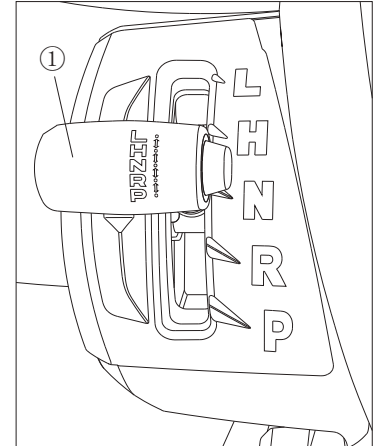
The engine exhaust from this product contains chemicals known to cause cancer, birth defects or other reproductive harm. Operate this vehicle only outdoors or in well-ventilated areas.

FEATURES AND CONTROLS

AUTOMATIC TRANSMISSION GEAR SELECTOR

The transmission gear selector (1) is located on the left side of the vehicle.

L: Low Gear
H: High Gear
N: Neutral
R: Reverse
P: Parking



To shift from N to H or R, from L to H, from P to R, depress the button of gear selector. To shift from H to L or N, from R to N or P, it is not necessary to depress this button.

When shifting among N, R, P, you must push the brake pedal.

FEATURES AND CONTROLS

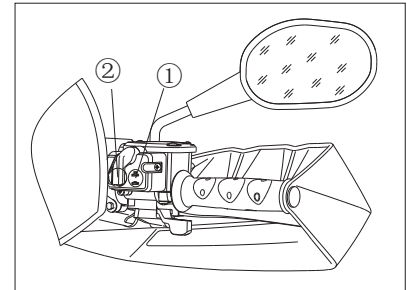
⚠ CAUTION

Shifting gears with the engine speed above idle or while the vehicle is moving could cause transmission damage. To change gears, stop the vehicle, and with the engine idling, move the lever to the desired gear. Push the brake pedal before attempting to shift into reverse or park. Whenever the ATV is left unattended, always place the transmission in the park position. Maintaining shift linkage adjustment is important to assure proper transmission function. See your dealer if you experience any shifting problems.

⚠ CAUTION

BELT LIFE

To extend belt life; use low forward gear in heavy pulling situations, and when operating at less than seven miles per hour, for extended periods of time. If towing the vehicle is necessary, shift the transmission into neutral for better mobility and to prevent damage to the belt.





FEATURES AND CONTROLS

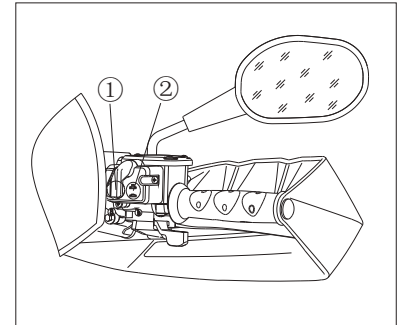
ALL WHEEL DRIVE (AWD) SYSTEM

This ATV is equipped with an on-command four-wheel drive switch “2WD” /” 4WD” ① and a front diff-lock switch “LOCK” /” 4WD” ②. Select the appropriate drive according to terrain and the conditions.

- Two-wheel drive (2WD) : Power is supplied to the rear wheels only.
- Four-wheel drive (4WD) : Power is supplied to the rear and front wheels.
- Four-wheel drive with the front diff locked (4WD-LOCK): Power is supplied to the rear and front wheels when the front diff is locked. Unlike the 4WD mode, all wheels turn at the same speed.


ON-COMMAND FOUR-WHEEL DRIVE SWITCH

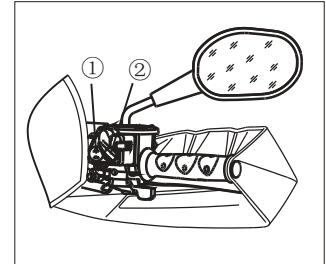
“2WD” /” 4WD” ②: To change from 2WD to 4WD, stop the ATV, and then set the switch to “4WD” . When the ATV is in 4WD, the 4WD indicator “” will come on in the dashboard display. To change from 4WD to 2WD, stop the ATV, be sure the lever ① is moved to the front diff lock switch, and then set the switch ② to “2WD” . When the ATV is in 2WD, the 2WD indicator “” will come on in the dashboard display.



FEATURES AND CONTROLS

Front Diff-lock Switch “LOCK” /” 4WD” ①

To lock the front diff in 4WD, make sure the on-command four-wheel-drive switch is set to 4WD, stop the ATV, move the lever ② to 2WD/4WD switch, then set the switch ① to LOCK, when the front diff is locked, the 4WD in lock indicator light “” will come on .



NOTE

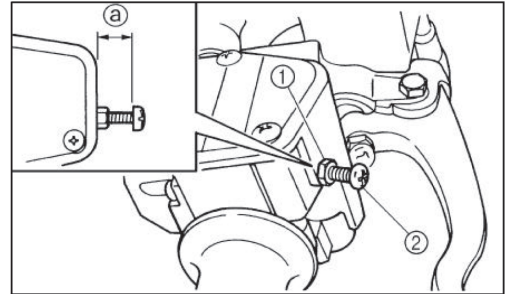
- When the switch is set to “LOCK” , the front diff-lock indicator light will flash until the front diff is locked.
- When the indicator light is flashing, turning the handlebar left and right will help the front gear lock to engage.
- Riding before the front diff lock is properly engaged (e.g., when the indicator light is flashing) will cause the engine speed to be limited until engagement is complete.
- When the ATV is in 4WD-LOCK, the maximum traveling speed is limited to 35 km/h (22 mph) .
- However, if conditions require full engine power to be available, depress the override switch to disable the 4WD-LOCK speed limiter.

FEATURES AND CONTROLS

SPEED LIMITER

The speed limiter keeps the throttle from fully opening, even when the throttle lever is pushed to the maximum.

Turning in the (2) limits the maximum engine power available and decreases the maximum speed of the ATV.



⚠ CAUTION

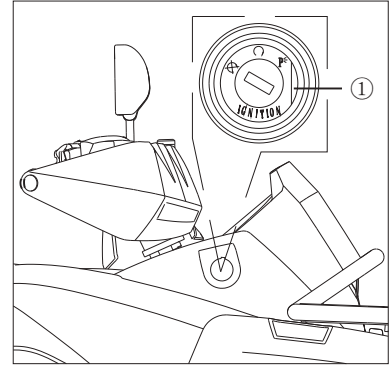
Do not turn the adjusting screw out more than 12 mm (0.47 in). Always make sure the throttle lever free play is adjusted to very easily (0.12-0.20 in).

FEATURES AND CONTROLS

MAIN SWITCH

Functions of the respective switch positions are as follows:

- 🔑 : The engine can be started only at this position and the headlights and taillight come on when the light switch is on. The key can not be removed in this position.
- 🔒 : All electrical circuits are switched off. The key can be removed in this position.



INDICATOR AND WARNING LIGHTS FOUR-WHEEL-DRIVE INDICATOR (1)




- 🔲 : This indicator comes on when the 2WD / 4WD switch is set to the “4WD” position.
- 🔲 : This indicator comes on when the 2WD / 4WD switch is set to the “4WD” and LOCK/4WD switch is set to LOCK.

FEATURES AND CONTROLS


⚠ NOTE

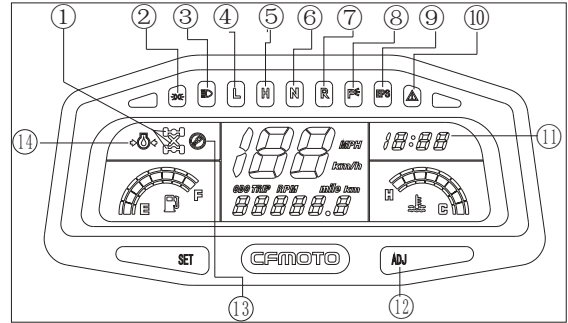
Due to the synchronizing mechanism in the front gear case, the four-wheel drive indicator may not come on until the ATV starts moving.

PILOT LIGHT INDICATOR ②

This indicator light comes on when moving the head light switch to “”, “”, “”.

HIGH BEAM INDICATOR “” ③

This indicator light comes on when moving the head light switch to “”.



FEATURES AND CONTROLS

LO GEAR INDICATOR “L” ④

This indicator light comes on when the gear selector is in the L position.

HI GEAR INDICATOR “H” ⑤

This indicator light comes on when the gear selector is in the H position.

NEUTRAL INDICATOR “N” ⑥

This indicator light comes on when the gear selector is in the N position.

REVERSE GEAR INDICATOR “R” ⑦

This indicator light comes on when the gear selector is in the R position.

PARK INDICATOR “ P^s ” ⑧

This indicator light comes on when the gear selector is in the P position.

EPS INDICATOR ⑨

This indicator light is available only when EPS is configured in the vehicle, as EPS (Electronic Power Steering) is optional.

OVERRIDE INDICATOR ⑩

This indicator light comes on when pressing the override switch. Always exercise caution to use override button.

FEATURES AND CONTROLS

DIGITAL CLOCK ⑪

Time setting : Press and release ADJ ⑫ once to advance the setting by one hour ; press and hold the button to advance the minutes.

EFI INDICATOR ⑬

This indicator light comes on when troubles occur in EFI system (Refer to page130 for detailed information)

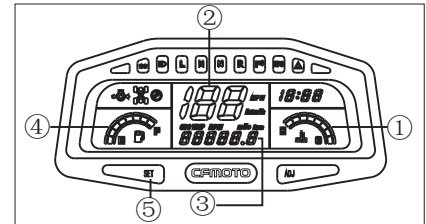
OIL PRESSURE WARNING INDICATOR ⑭

This indicator comes on when the oil capacity or oil pressure is not enough with RPM over 1000rpm. In this case, please add oil. If this indicator light still goes on after enough oil added, please check the sensor, meter and lubrication system.

DASHBOARD

Coolant Temperature Indicator①

When the temperature indicator is in the red area of side H, it indicates that the temperature is high. In that case please stop the engine until the coolant temperature goes down. In case the temperature frequently goes high, check coolant capacity or consult the local dealer.



FEATURES AND CONTROLS

SPEEDOMETER (2): shows the vehicle speed. In ODO mode, press and hold SET(5) to toggle between KM and MP.

ODO/TRIP/RPM Toggle (3): Press and release SET (5) to toggle among ODO mode, TRIP mode, RPM mode. In TRIP mode press and hold SET (5) to return the trip display to zero.

FUEL TANK LEVEL INDICATOR (4)

Indicates the fuel level inside tank from “E” empty to “F” full. The total amount of fuel storage in the tank is 19L. When the indicator reaches the first point of the red mark, fuel should be refilled as soon as possible. The red mark indicates that the remaining fuel is only about 4.0L.

OPERATION

BREAK-IN PERIOD

The break-in period for your new ATV is very important, it is not only a simple action for you, which is as important as a proper break-in stated in manual. Careful treatment of a new engine will result in more efficient performance and longer life for the engine. Perform the following procedures carefully.

CAUTION

Do not load or tow cargo during the first 20 hours of use, do not operate at full throttle. It may damage engine parts or decrease engine life if excessively increase throttle during the first 20 hours of use.

Do not run engine with throttle over 1/2 open during the first 10 hours of use. Do not run engine with throttle over 3/4 open during the first 10 to 20 hours of use.

Operate this ATV in normal condition after break-in period.

Use of any oils other than those recommended may cause serious engine damage. we recommend the use of special oil for 4-stroke engine: SAE 15W-40/SG.

Perform the following procedures before operation:

1. Fill the fuel tank with gasoline.
2. Put ATV on a level surface to check the oil level. Add recommended oil if necessary to maintain the oil level between the minimum and maximum level marks of the dipsticks.
3. Drive slowly at first. Select an open area that allows room to familiarize yourself with vehicle operation and handling.
4. Vary throttle positions. Do not operate at sustained idle.
5. Perform regular checks on fluid levels, controls, and areas outlined on the daily pre-ride inspection checklist. See page 55.

OPERATION

6. Pull only light loads.

7. During the break-in period, change both the oil and oil filter at 20 hours or 750km.

PRE-RIDE INSPECTION

⚠ WARNING

If a proper inspection is not done before each use, severe injury, or death could result. Always inspect the vehicle before each use to ensure it is in proper operating condition.

PRE-RIDE CHECKLIST		
ITEM	REMARKS	SEE PAGE
Brake system/ lever travel	Ensure proper operation	38, 104
Brake fluid	Ensure proper level	39
Front suspension Inspect	Lubricate if necessary	
Rear suspension Inspect	Lubricate if necessary	
Steering	Ensure free operation	
Tires	Inspect and check pressure	135
Wheels and fasteners	Ensure tightness	109

OPERATION

PRE-RIDE CHECKLIST		
ITEM	REMARKS	SEE PAGE
Frame nuts, bolts, fasteners	Inspect, ensure fastener tightness	
Fuel and oil	Ensure proper levels	134, 84
Coolant level	Ensure proper levels	91
Coolant hoses	Inspect for leaks	
Throttle	Ensure proper operation	
Gear shifting	Ensure proper operation	
Indicator lights/ switches	Ensure proper operation	60, 61
Air filter	Inspect, clean	96
Air box sediment tube	Drain deposits whenever visible	
Headlamp	Check operation	37
Brake light/ tail lamp	Check operation	106
Riding gear	Wear helmet, gloves, protective clothing	35

OPERATION

STARTING THE ENGINE/STARTING A COLD ENGINE


⚠ WARNING

Engine exhaust contains poisonous carbon monoxide and can cause loss of consciousness resulting in severe injury or death. Never run an engine in an enclosed area.

⚠ CAUTION

Operating the vehicle immediately after starting could cause engine damage. Allow the engine to warm up for several minutes before operating the vehicle.

STARTING A COLD ENGINE

1. Apply the rear brake pedal.
2. Turn ignition switch to  , turn stop switch to “ON”.
3. Shift gear selector into the neutral position.

OPERATION

⚠ NOTE

- When the gear selector is in neutral position, if indicator light on dashboard does not come on, ask your dealer to inspect its electric circuit or adjust gear- shifting system.
- Engine can be started in any gear if rear brake pedal is applied. However it is recommended to shift into neutral or park before starting the engine. Completely close the throttle lever and start the engine by pushing the start switch.
- If the engine fails to start; release the start switch, then push the start switch again. Pause a few seconds before the next attempt. Each cranking should be as short as possible to preserve battery energy. Do not crank the engine more than 10 seconds on each attempt.
- If the battery is discharged, disassemble the battery to recharge.
- Continue warming up the engine until it idles smoothly before starting the ATV.

⚠ CAUTION

See the “Break- In Period” section prior to operating the engine for the first time.

OPERATION

GEAR SELECTOR OPERATION AND REVERSE DRIVING

⚠ CAUTION

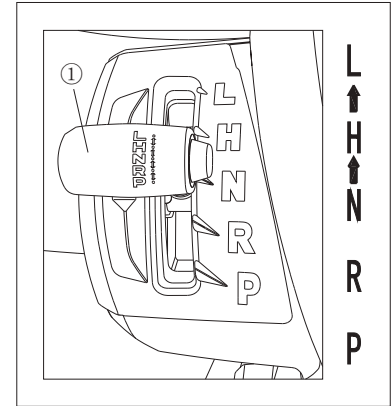
Before shifting, you must return the throttle lever to the closed position and stop the ATV. Otherwise, the transmission may be damaged.

SHIFTING; NEUTRAL TO HIGH

- (1) Return the throttle lever to the closed position and stop the ATV.
- (2) Push the button at the right side of gear selector, then shift to High by moving the gear selector along the shift guide.

⚠ NOTE

- (3) Make sure that the gear selector is completely shifted into position. Open the throttle lever gradually.



SHIFTING; HIGH TO LOW

- (1) Return the throttle lever to the closed position and stop the ATV completely.
- (2) Apply the rear brake pedal, shift to Low by moving the gear selector along the shift guide.

OPERATION

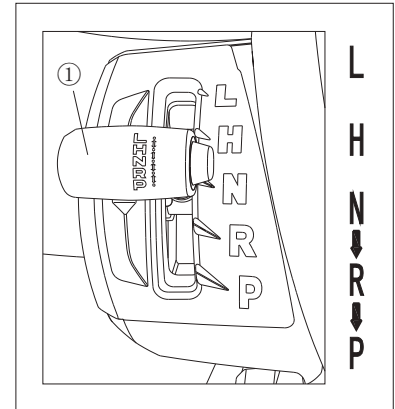
SHIFTING: LOW TO HIGH

Return the throttle lever to the closed position and stop the ATV completely.
Push the button at the right side of gear selector, then shift to High by moving the gear selector along the shift guide.

SHIFTING: NEUTRAL (N) TO REVERSE (R);

⚠ NOTE

The gear selector cannot be shifted into reverse (R) without applying the rear brake.
Return the throttle lever to the closed position and stop the ATV completely.
Apply the rear brake pedal; push the button at the right side of gear selector.
Shift the gear from neutral (N) to reverse by moving the gear selector along the shift guide.



OPERATION

⚠ NOTE

- (a) When in reverse, the reverse indicator light should be on.
- (b) The indicator light should be on in accordance with actual gear position, if the light does not come on, asks your dealer to inspect.
- (c) Due to the synchronizing mechanism in the engine, the light may not come on until ATV starts moving.
 1. Check behind for people or obstacles; then release the rear brake pedal.
 2. Open the throttle lever gradually and continue to watch rear while moving backward.

⚠ WARNING

When you shift into reverse, make sure there are no obstacles or people behind you. When it is safe to proceed, go slowly.

SHIFTING; REVERSE TO PARK

1. Return the throttle lever to the closed position and stop the ATV completely.
2. Apply the rear brake pedal.
3. Shift from reverse to park by moving the gear selection along the shift guide.
The others gear selection refer to Page 59.

OPERATION

HAULING CARGO

⚠ WARNING

- Overloading the vehicle or carrying or towing cargo improperly can alter vehicle handling and may cause loss of control or brake instability. Always follow these precautions when hauling cargo:
- Never exceed the stated load capacity for this vehicle.
- Reduce speed.
- When operating over rough or hilly terrain, reduce speed and cargo to maintain stable driving conditions.
- Weight distribution in the rear rack should be as far forward and as low as possible. Carrying a high load raises the center of gravity and creates a less stable operating condition. Reduce load weight when cargo is high. When handling off-centered loads that cannot be centered, secure the load and operate with extra caution.
- All loads must be secured before operation. Unsecured loads may shift and create unstable operating conditions which could result in loss of control of the vehicle. Always be sure that the rear rack is lowered.
- When operating with loads extending beyond the rack. Stability and maneuverability may be adversely affected, causing the machine to overturn.
- Carrying a load on only the front rack or the rear rack may cause an imbalanced condition and increases the possibility of vehicle overturn. Balance loads proportionally between the front rack and the rear rack, but do not exceed the stated load capacity.

OPERATION

- Use extreme caution when applying brakes with a loaded vehicle. Avoid terrain or situations that may require backing down- hill.
- Always attach the tow to the hitch point.
- The vehicle should never exceed 10 mph (16 km/h) while towing a load on a level surface. Vehicle speed should never exceed 5mph (8 km/h) when towing loads in rough terrain, while cornering, or while ascending or descending a hill.
- Do not obstruct the headlight when loading the front rack.

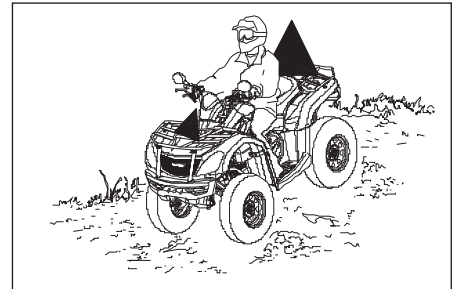
LOAD DISTRIBUTION

Your ATV has been designed to carry or tow a certain amount of load. Always read and understand the load distribution warnings listed on the warning labels, and never exceed the specified weights. Cargo weight should be mounted as low as possible. When operating over rough or hilly terrain, reduce speed and cargo to maintain stable driving conditions.

ALWAYS LOAD THE CARGO AS FAR FORWARD AS POSSIBLE.

Always operate the vehicle with extreme caution whenever hauling or towing loads.

Balance, handling, and control may be affected.
Slow down.



DRIVING SAFETY

DRIVING PROCEDURES

1. Sit upright with both feet on the footrests and both hands on the handlebars.
2. Start the engine and allow it to warm up, apply the brakes, then shift the transmission into gear.
3. Check your surroundings and determine your path of travel.
4. Release the brakes.
5. Slowly depress the throttle with your right thumb and begin driving. Vehicle speed is controlled by the amount of throttle opening.
6. Drive slowly. Practice maneuvering and using the throttle and brakes on level surfaces.

MAKING TURNS

To make a turn, steer in the direction of the turn, leaning your upper body to the inside of the turn while supporting your weight on the outer footrest. This technique alters the balance of traction between the wheels, allowing turn to be made smoothly. The same leaning technique should be used for turning in reverse.

⚠ NOTE

Practice making turns at slow speeds before attempting to turn at faster speeds.

⚠ WARNING

Turning at sharp angles or at excessive speeds can result in vehicle overturn and lead to serious injury. Avoid turning at sharp angles. Never make turns at high speeds.



DRIVING SAFETY

DRIVING ON SLIPPERY SURFACES

Whenever riding on slippery surfaces such as wet trails or loose gravel, or during freezing weather, follow these precautions:

1. Slow down when entering slippery areas.
2. Maintain a high level of alertness, reading the trail and avoiding quick, sharp turns which can cause skids.
3. Correct a skid by turning the handlebars in the direction of the skid and shifting your body weight forward.
4. Driving with AWD engaged can assist in controlling the vehicle in slippery areas.

⚠ CAUTION

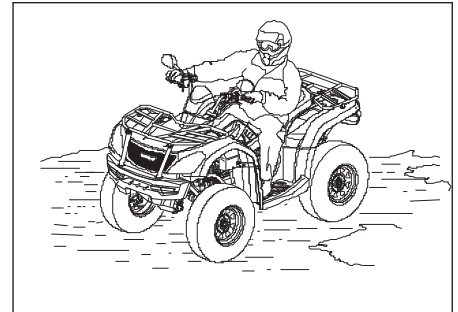
Severe damage to drive train may occur if the AWD is engaged while the wheels are spinning.

Always engage AWD when the wheels have traction or are at rest.

⚠ WARNING

Failure to exercise care when operating on slippery surfaces can result in loss of tire traction and cause loss of control, accident, and serious injury or death. Never apply the brakes during a skid.

Do not operate on excessively slippery surfaces. Always reduce speed and use additional caution.



DRIVING SAFETY

DRIVING UPHILL

1. Whenever traveling uphill, follow these precautions.
2. Always travel straight uphill.
3. Avoid steep hills (22° maximum).
4. Keep both feet on the footrests.
5. Shift your weight forward.
6. Proceed at a steady rate of speed and throttle opening.
7. Remain alert and be prepared to take emergency action.
This may include quick dismounting of the vehicle.

IF ALL FORWARD SPEED IS LOST:

Keep your weight uphill.

Apply the front brake. When fully stopped, apply rear brake as well, then shift gear selector into park position.

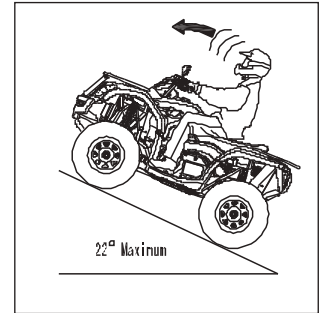
IF THE ATV BEGINS ROLLING BACKWARDS:

Keep your weight uphill. Never apply engine power.

Never apply the rear brake while rolling backwards.

Apply the front brake. When fully stopped, apply the rear brake as well, and then shift gear selector into park position.

Dismount on uphill side, or to either side if ATV is pointed straight uphill. Turn the ATV around and remount, following the procedure described on page 68.



DRIVING SAFETY

⚠ WARNING

Braking and handling are greatly affected when operating in hilly terrain. Improper procedure could cause loss of control or overturn and result in serious injury or death.

Avoid climbing steep hills (22° maximum).

Use extreme caution when operating on hills, and follow proper operating procedures outlined in the owner's manual.

SIDEHILLING

⚠ WARNING

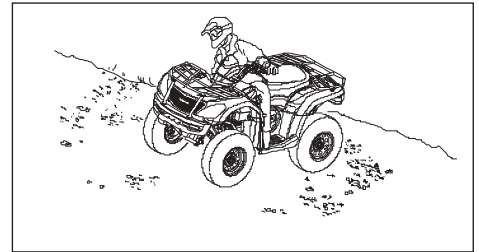
Improperly crossing hills or turning on hills can result in loss of control or vehicle overturn, resulting in severe injury or death. Avoid crossing the side of a hill when possible. Follow proper procedures as outlined in the owner's manual.

Sidehilling can be a dangerous type of driving and should be avoided if possible. If you do enter into a situation where sidehilling is necessary, follow these precautions:

1. Slow down.
2. Lean into the hill, transferring your upper body weight toward the hill while keeping your feet on the footrests.
3. Steer slightly into the hill to maintain vehicle directions.

⚠ NOTE

If the vehicle begins to tip, quickly turn the front wheel downhill, if possible, or dismount on the uphill side immediately!



DRIVING SAFETY

DRIVING DOWNHILL

Whenever descending a hill, follow these precautions:

1. Proceed directly downhill.
2. Shift your weight to the rear of the vehicle.
3. Slow down.
4. Apply the brakes slightly to aid in slowing.

Familiarize yourself with operation of the auxiliary rear brake lever.

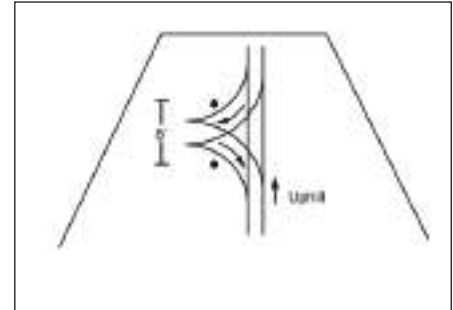
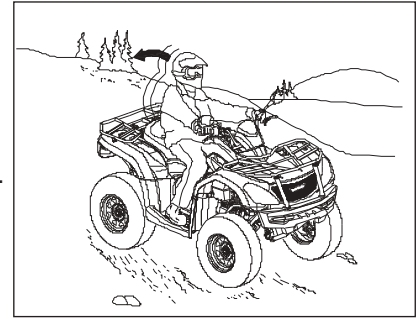
⚠ WARNING

Excessive speed can cause loss of control and lead to serious injury or death. Always operate slowly when traveling downhill.

TURNING AROUND ON A HILL

⚠ WARNING

Improper hill climbing procedures could cause loss of control or overturn and result in serious injury or death. Avoid climbing steep hills (22° maximum). Use extreme caution when operating on hills, and follow proper operating procedures outlined in the owner's manual. If the vehicle stalls while climbing a hill, never back it down the hill! One maneuver that can be used when it's necessary to turn around while climbing a hill is the K-turn:



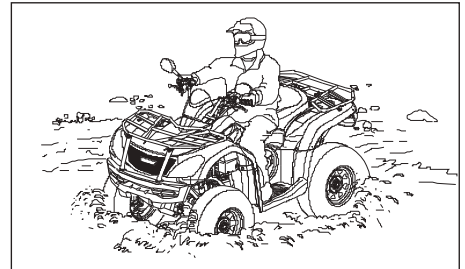
DRIVING SAFETY

1. Stop and shift the gear selector lever to the parking position while keeping body weight uphill.
2. Shut off the engine.
3. Dismount on the uphill side of the vehicle or on the left if the vehicle is pointing straight uphill.
4. Staying uphill of the vehicle, turn the handlebars full left.
5. While holding the brake lever, shift the gear selector lever to the low gear position and slowly allow the vehicle to roll around to your right until it's pointing across the hill or slightly downward.
6. Shift the gear selector lever to the parking position and remount the vehicle from the uphill side, keeping body weight uphill.
7. Restart the engine, while holding the brake lever; shift the gear selector lever to low gear position.
8. Release the brake and proceed slowly, controlling speed with the brake, until the vehicle is on more level ground.

DRIVING THROUGH WATER

Your ATV can operate through water with a maximum recommended depth equal to the bottom of the footrests. Follow these procedures when operating through water:

1. Determine water depths and current before crossing.
2. Choose a crossing where both banks have gradual inclines.



DRIVING SAFETY

Proceed slowly, avoiding rocks and obstacles if possible.

After crossing, dry the brakes by applying light pressure to the lever until braking action is normal.

⚠ NOTE

Avoid operating the vehicle through deep or fast-flowing water. If you cannot avoid water that exceeds the recommended maximum depth, go slowly, balance your weight carefully, avoid sudden movements, and maintain a slow and steady forward motion. Do not make sudden turns or stops, and do not make sudden throttle changes.

After running the vehicle in water, it is critical to have it serviced as outlined in the maintenance chart. The following areas need special attention: engine oil, transmission oil, front and rear gear cases, and all grease fittings.

⚠ NOTE

If water has been ingested into the CVT, follow the procedure on page 99 for drying out the CVT. If your vehicle becomes immersed, and it is impossible to take it to your dealer before starting it. Have the vehicle serviced by your dealer promptly.

DRIVING SAFETY

⚠ WARNING

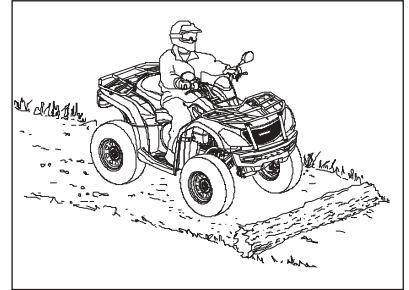
Major engine damage can result if the vehicle is not thoroughly inspected after operation in water. Perform the services outlined in the maintenance chart. If your vehicle becomes immersed or is operated in water that exceeds the footrest level, take it to your dealer for service before starting the engine.

DRIVING OVER OBSTACLES

Be alert! Look ahead and learn to read the terrain. Be constantly alert for hazards such as logs, rocks and low hanging branches.

⚠ WARNING

Severe injury or death can result if your vehicle comes in contact are immediately visible. Travel with caution in unfamiliar terrain.



DRIVING SAFETY

⚠ WARNING

DRIVING IN REVERSE

Follow these precautions when operating in reverse:

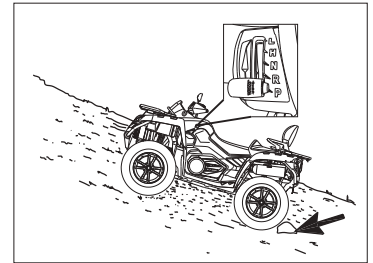
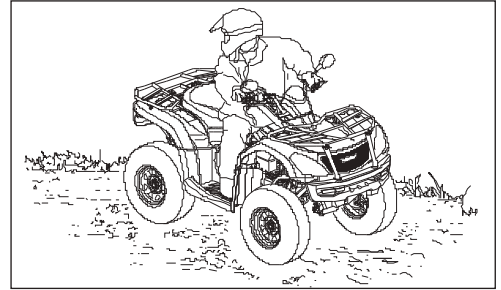
1. Always avoid backing downhill.
2. Back slowly.
3. When in reverse, apply the brakes lightly for stopping.
4. Avoid turning at sharp angles in reverse.
5. Never open the throttle suddenly while backing.

⚠ WARNING

Failure to use caution when operating in reverse can result in serious injury or death. Before shifting into reverse, always check for obstacles or people behind the vehicle. When it's safe to proceed, backup slowly. Do not use the override switch unless additional power is required for vehicle movement. Use with caution. Avoid backing on inclines, and avoid turning at sharp angles.

⚠ NOTE

Your ATV is equipped with a reverse speed limiter. The override button should be used with caution as rearward vehicle speed is greatly increased. Do not operate at wide-open throttle. Open the throttle just enough to maintain a desired speed.



DRIVING SAFETY

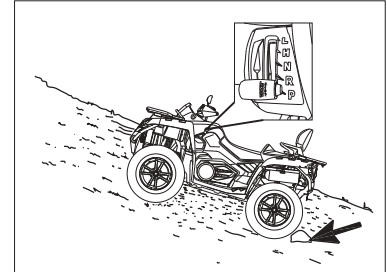
⚠ WARNING

Excessive throttle operation while in the speed limit mode may cause fuel to build in the exhaust, resulting in engine popping and/or engine damage. Engine brake will be executed and rear output shaft locked when gear on the parking position.

PARKING ON AN INCLINE

Avoid parking on an incline if possible. If it is unavoidable, follow these:

1. Turn the engine off.
2. Place the gear selector to parking position.
3. Always block the rear wheels on the downhill side as illustrated.



DRIVING SAFETY

TURNING YOUR ATV

To achieve maximum traction while riding in 2WD or 4WD, the two rear wheels are mounted solidly on one axle and turn together at the same speed. Furthermore, when riding in 4WD-LOCK (DIFF. LOCK), the front wheels also turn together at the same speed. Therefore, unless the wheel on the inside of the turn is allowed to slip or lose some traction, the ATV will resist turning. A special turning technique must be used to allow the ATV to make turns quickly and easily. It is essential that this skill be learned first at low speed.

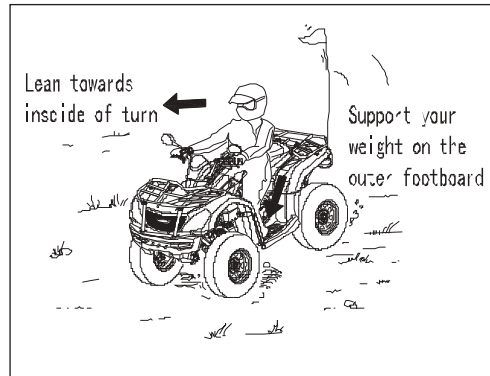
⚠WARNING

Always follow proper procedures for turning as described in this Owner s Manual. Practice turning at low speeds, before attempting to turn at faster speeds. Do not turn at speeds too fast for your skills or the conditions. Operate at a slow speed and allow extra time and distance for maneuvers when in 4WD- LOCK (DIFF. LOCK).

As you approach a curve, slow down and begin to turn the handlebars in the desired direction. As you do so, put your weight on the footboard to the outside of the turn (opposite your desired direction) and lean your upper body into the turn. Use the throttle to maintain an even speed through the turn. This maneuver will let the wheel on the inside of the turn slip slightly, allowing the ATV to make the turn properly.

DRIVING SAFETY

This procedure should be practiced at slow speed many times in a large area with no obstacles. If an incorrect technique is used, your ATV may continue to go straight. If the ATV doesn't turn, come to a stop and then practice the procedure again. If the riding surface is slippery or loose, it may help to position more of your weight over the front wheels by moving forward on the seat. Once you have learned this technique you should be able to perform it at higher speeds or in tighter curves. Improper riding procedures such as abrupt throttle changes, excessive braking, incorrect body movements, or too much speed for the sharpness of the turn may cause the ATV to tip. If the ATV begins to tip over to the outside while negotiating a turn, lean more to the inside. It may also be necessary to gradually let off on the throttle and steer to the outside of the turn to avoid tipping over. Remember: Avoid higher speeds until you are thoroughly familiar with the operation of your ATV.



MAINTENANCE & LUBRICATION

ACCESSORIES

Auxiliary power outlets provide 12V power for operating accessories such as hand held spotlights. Please consult with your dealer.

PERIODIC MAINTENANCE CHART

Careful periodic maintenance will help keep your vehicle in the safest, most reliable condition. Inspection, adjustment, and lubrication of important components are explained in the periodic maintenance chart.

Inspect, clean, lubricate, adjust, and replace parts as necessary. When inspection reveals the need for replacement parts, please use genuine parts available from your dealer.

NOTE

Service and adjustments are critical. If you are not familiar with safe service and adjustment procedures, have a qualified dealer perform these operations. Maintenance intervals in the following chart are based upon average riding conditions and an average vehicle speed of approximately 10 miles or 20 Km per hour. Vehicles subjected to severe use must be inspected and serviced more frequently.

MAINTENANCE & LUBRICATION

SEVERE USE DEFINITION

- Frequent immersion in mud, water, or sand.
- Racing or race-style high RPM use.
- Prolonged low speed, heavy load operation.
- Extended idle.
- Short trip cold weather operation.

Pay special attention to the oil level. A rise in oil level during cold weather can indicate contaminants collecting, in the oil sump or crankcase. Change oil immediately if the oil level begins to rise. Monitor the oil level, and if it continues to rise, discontinue the use, and determine the cause or see your dealer.

KEY POINTS OF MAINTENANCE CHART

- ▶ Perform these procedures more often for vehicles subjected to severe use.
- Have an authorized dealer perform these services.

DANGER

Improperly performing the procedures marked with a “■” could result in component failure and lead to serious injury or death. Have an authorized dealer perform these services.

MAINTENANCE & LUBRICATION

ITEM		MAINTENANCE INTERVAL (WHICHEVER COMES FIRST)			REMARKS
		HOUR	CALENDAR	MILES(Km)	
■	Steering		Pre-Ride		Make adjustments as needed. See Pre-Ride Checklist on page 55.
▶	Front Suspension		Pre-Ride		
▶	Rear Suspension		Pre-Ride		
	Tire		Pre-Ride		
▶	Break Fluid		Pre-Ride		
▶	Brake Level/Lever Travel		Pre-Ride		
	Brake System		Pre-Ride		
	Wheels/Fasteners		Pre-Ride		
	Frame Fasteners		Pre-Ride		
▶	Engine Oil Level		Pre-Ride		
▶	Air Inlet, Air Filter				Inspect and clean if necessary
▶	Air box Sediment Tuber				Drain deposits when visible

MAINTENANCE & LUBRICATION

	Coolant	50H	Daily	1500	Check level daily / change coolant Every 2 years or 6000Km/200H, but initial check should be done after 20H or 750Km.
	Headlight/tail light		Daily		Check operation; apply dielectric grease if replacing
	Air filter element	50H	—	1500	Inspect. Clean every 1000km or 100 hours. Replace initial replacement should be done after 750Km or 20H.
	CVT outlet pipe		Weekly		Drain water as needed, check often if operating in wet conditions
	Brake pad wear	10H	Monthly	100	Inspect periodically
	Battery	20H	Monthly	200	Check terminals; clean; test
▶	Front gear case oil	25H	Monthly	250	Inspect level; change yearly
▶	Rear gear case oil	25H	Monthly	250	Inspect level; change yearly
▶	Transmission oil	25H	Monthly	250	Inspect level; change yearly

MAINTENANCE & LUBRICATION

▶	Engine oil change (Break-in)	20H		250	Change
▶	General lubrication	50H	3M	500	Lubricate all fittings, pivots, cables, etc.
	Steering knuckle	50H	6M	500	lubricate
■	Steering handlebar	50H	6M	500	lubricate
▶	Front suspension	50H	6M	500	lubricate
	Rear suspension	50H	6M	500	lubricate
	Gearshift	28H	1M	500	Inspect, lubricate, adjust
■	Throttle cable/ Switch	50H	6M	500	Inspect; adjust; lubricate; replace if necessary
	Drive belt	50H	6M	1500	Inspect; adjust; replace if necessary. Replace for every 3000 Km
	Cooling system	50H	6M	500	Inspect coolant strength seasonally; pressure test system yearly

MAINTENANCE & LUBRICATION

▶	Engine oil change	100H	12M	3000	Perform a break-in oil change at 25 hours/750Km
▶	Fuel hose	100H	12M	1000	Inspect routing, condition, Replace high-pressure fuel hose every 4 years
■	Valve clearance	100H	12M	3000	Inspect, Adjust, Initial:750km, or 20H
■	Fuel system	100H	12M	1000	Inspect cap of fuel tank, fuel pump and fuel relay.
■	Oil filter	100H	12M	3000	Initial change: 750km or 20H
▶	Radiator	200H	24M	3000	Inspect; clean external surfaces
▶	Cooling hoses	100H	12M	1000	Inspect. Initial: 300km or 10H
▶	Engine mounts	100H	12M	3000	Inspect. Initial: 300km or 10H
	Exhaust pipe and muffler	100H	12M	1000	Inspect

MAINTENANCE & LUBRICATION

	Ignition coil	100H	12M	1000	Inspect and replace as needed
	ECU	100H	12M	1000	Inspect and replace as needed
	Wirings and cables	100H	12M	1000	Inspect for wear, routing, security; apply dielectric grease to connectors subjected to water, mud, etc.
	Clutches(drive and driven pulley)	100H	12M	3000	Inspect; clean; replace worn parts
	Wheel bearings	100H	12M	1600	Inspect and replace as necessary
	Brake fluid	200H	24M	2000	Change every two years
	Spark plug	100H	12M	3000	Initial: 750km or 20H. Replace every 6000km
	Idle condition				Inspect every component. 1300±100r/min
	Toe adjustment				Inspect periodically; adjust when parts are replaced
	Auxiliary brake				Inspect daily; adjust as needed
	Headlight aim				Adjust as needed

MAINTENANCE & LUBRICATION

Check and lubricate all components at the intervals outlined in the Periodic Maintenance Chart beginning on page 78. Items not listed in the chart should be lubricated at the General Lubrication interval.

Key points of lubrication chart

- ▶ More often under severe use, such as wet or dusty conditions
- ★ All Season Grease
- Use U-Joint Lube every 500 miles, before long periods of storage, or after pressure washing or submerging

ITEM	LUBE	METHODS
Engine oil	SAE15W-40/SG	Use dipstick to check oil level
Brake fluid	DOT3 or DOT4	Keep level between Upper and Lower line, see page 102
Front gear case oil	SAE15W/40 SG or SAE80W/90 GL-4	See page 133
Rear gear case oil	SAE15W/40 SG or SAE80W/90 GL-4	See page 133
Ball Joint	Grease	

MAINTENANCE & LUBRICATION

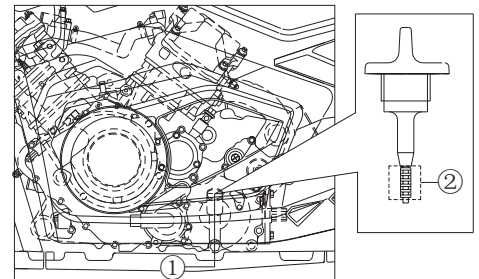
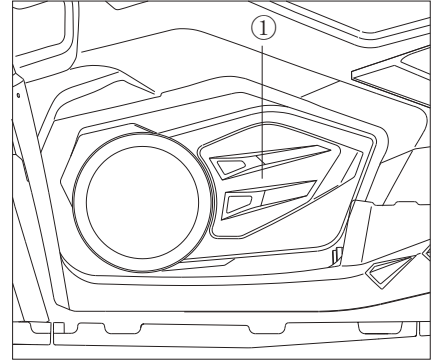
LUBRICATION RECOMMENDATIONS

ENGINE OIL

Always check and change the engine oil at the intervals outlined in the Periodic Maintenance Chart beginning on page 78. Always change the oil filter whenever changing oil.

ENGINE OIL CHECK

1. Remove plastic cover (1) as right picture shows.
2. Position the ATV on a level surface.
3. Start the engine and let it idle for 20-30 seconds. Stop the engine.
4. Wait a few minutes until the oil settles.
5. Take oil dipstick out from (1) and wipe off area (2) of dipstick with a clean rag.
6. Insert the dipstick in the oil filler hole and screwing it in, and then remove it again to check the oil level.



▲ NOTE

The engine oil should be between the upper and lower limit marks.

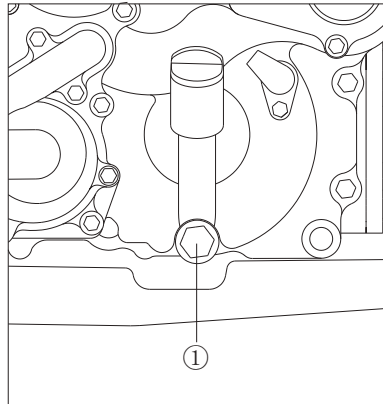
MAINTENANCE & LUBRICATION

ENGINE OIL CHECK

7. If the engine oil is at or below the lower limit mark, add sufficient oil of the recommended type to raise it to the correct level.
8. Insert the dipstick into the oil filler hole, and then tighten it.
9. Install plastic cover (1).

TO CHANGE ENGINE OIL

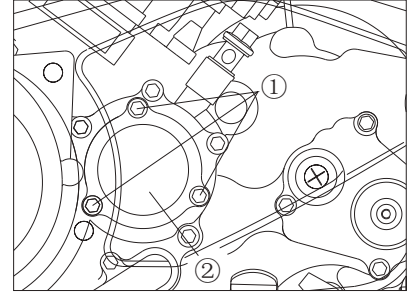
1. Start the engine; warm it up for 2~3 minutes, and then stop the engine.
2. Place an oil pan under the engine to collect the used oil, and then remove the engine oil dipstick.
3. Remove the engine oil drain, bolt (1) to drain the oil from the crankcase.



MAINTENANCE & LUBRICATION

OIL FILTER REPLACEMENT

1. Use wrench to unscrew 3 bolts (1) as right picture shows.
Then remove cover (2) of oil filter and remove oil filter (3).
2. Install new oil filter on it.
Attention: Confirm the O- ring (4) is good and then install it into groove of crankcase correctively.
3. Install new oil filter (3) , and use wrench to tighten the 3 bolts (1) on cover (2) by specified torque.



⚠ NOTE Tightening torque of bolt (1): 10 N · m

4. Use new washer to assemble and tighten oil drain bolt as specified torque.

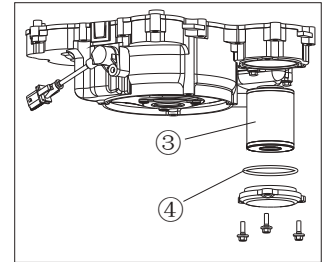
⚠ NOTE Tightening torque of drain bolt: 30 N · m

5. Add the specified amount of recommended engine oil, and then insert the engine oil dipstick and tighten it.

⚠ NOTE

In case of engine overhaul, oil should be added : 3.6 L
Without oil filter, cartridge replacement, oil should be added: 3.4 L
With oil filter, cartridge replacement, oil should be added: 3.5L

6. Start the engine and warm it up for several minutes. While warming up, check for oil leakage. If oil leakage is found, turn the engine off immediately and check for the cause.
7. Turn the engine off, and then check the oil level and correct it if necessary.



MAINTENANCE & LUBRICATION

REAR GEAR CASE OIL

The rear gear case must be checked for oil leakage before each ride. If any leakage is found, have your dealer check and repair the ATV.



REAR GEAR OIL CHANGE

1. Place the machine on a level place.
2. Place a container under the rear gear case to collect the used oil.
3. Remove oil drain bolt (1) as right picture shows and drain used oil.
4. Add recommended gear oil into rear gear case.
5. Install and tighten drain bolt as specified torque after adding new gear oil.

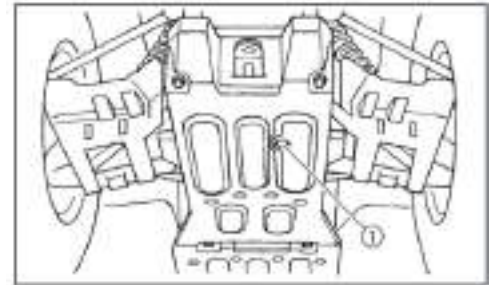
⚠ NOTE

Tightening torque of drain bolt: 23N.m

⚠ NOTE

Periodic oil change : 0.25 L

Oil capacity of rear gear case : 0.30 L



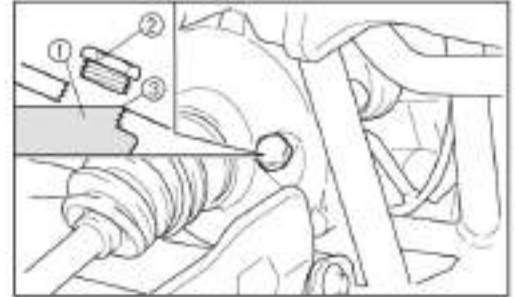
MAINTENANCE & LUBRICATION

6. Check if any oil leakage. In case of leakage, please find causes and remove it.

Attention: Be sure foreign material enters the rear gear case.

FRONT GEAR CASE OIL MEASUREMENT

1. Place the machine on a level place.
2. Remove the oil filler bolt (2) and check the oil level. It should be up to the brim of the hole. If the level is low, add sufficient oil to raise it to the specified level.
3. Install the oil filler bolt and tighten it to the specified torque.

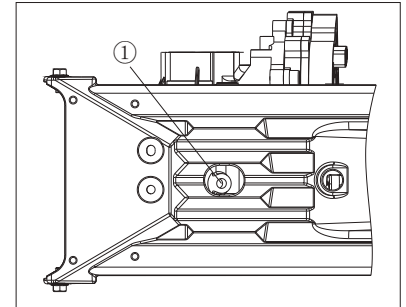


⚠ NOTE

Oil filler bolt tightening torque : 23 N·m

Front gear case oil change

1. Place the machine on a level place.
2. Place a container under the front gear case to catch the oil.
3. Remove oil filler bolt and drain bolt (1) at the bottom of front gear case, and drain used oil.



MAINTENANCE & LUBRICATION

FRONT GEAR CASE OIL CHANGE

4. Install the drain bolt and tighten it to the specified torque.

⚠ NOTE

Drain bolt-tightening torque: 10 N. m

5. Fill the front gear case with oil.

⚠ NOTE

Periodic oil change : 0.28 L

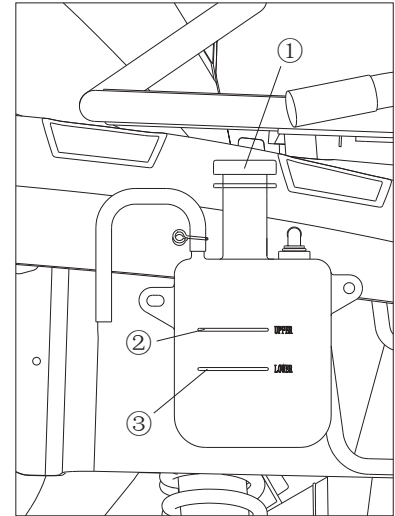
Oil capacity : 0.33 L

6. Install the filler bolt (2) and tighten it to the specified torque.

7. Check for oil leakage. If oil leakage is found, check for the cause.

⚠ NOTE

Be sure no foreign material enters the front gear case.



MAINTENANCE & LUBRICATION

COOLING SYSTEM

1. Place the ATV on a level surface.
2. Check the coolant level in the coolant reservoir when the engine is cold as the coolant level will vary with engine temperature.

⚠ NOTE

3. The coolant should be between the upper (2) and lower (3) limit marks. If the coolant is at or below the lower limit mark, remove the reservoir cap, add coolant to the upper limit mark, install the reservoir cap, and then install the panel.

⚠ NOTE

Lowest capacity of coolant reservoir : 0.38 L

⚠ CAUTION

Hard water or salt water is harmful to the engine. You may use soft water if you cannot get distilled water.

Attention: If water is added, have your dealer check the antifreeze content of the coolant as soon as possible.

The radiator fan operation is completely automatic. It is switched on or off according to the coolant temperature in the radiator.

MAINTENANCE & LUBRICATION

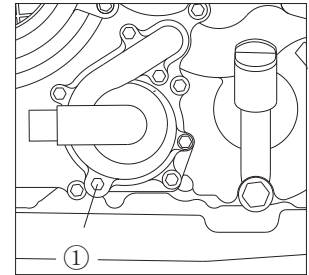
CHANGING THE COOLANT

1. Place the ATV on a level surface.
2. Place a container under the engine, and then remove the coolant drain bolt (1). (Use a trough or a similar object to prevent coolant from spilling on the footrest.)
3. Remove the radiator cap.
4. Remove the coolant reservoir cap.

⚠ DANGER

After you stop the engine, you cannot remove cap of radiator immediately. Wait for the engine to cool down and then remove radiator cap. Otherwise hot coolant will spray out and can cause severe burns.

5. Disconnect the hose on the coolant reservoir side, and then drain the coolant from the coolant reservoir.
6. After draining the coolant, thoroughly flush the cooling system with clean tap water.
7. Replace the coolant drain, bolt washer if it is damaged, and then tighten the coolant drain bolt to the specified torque.



MAINTENANCE & LUBRICATION

⚠ NOTE

Coolant drain bolt tightening torque : 10 N · m

8. Install the coolant reservoir hose.
9. Fill the recommended coolant into the radiator until it is full. When filling coolant, at the same time to loosen tapping screw as right picture on the right (1) shows in order to drain potential air bubbles inside the coolant hose, until coolant runs out, then tighten the screw.

⚠ NOTE

RECOMMENDED ANTIFREEZE:

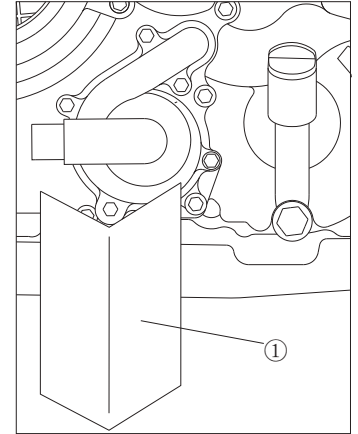
High quality ethylene glycol antifreeze, containing corrosion inhibitors for aluminum engines.

Antifreeze and water mixing ratio: 1:1

Coolant capacity : 2.6 L.

Coolant change : 2.5 L.

Coolant reservoir capacity : 0.38~0.6L



MAINTENANCE & LUBRICATION

⚠ DANGER

Hard water or salt water is harmful to the engine.
Please use CFMOTO recommended coolant.

10. Install the radiator cap.
11. Start the engine and let it idle for several minutes. Stop the engine, and then check the coolant level in the radiator. If it is low, add more coolant until it reaches the top of the radiator.
12. Fill the coolant reservoir with coolant up to the upper limit.
13. Install the coolant reservoir cap and check for coolant leakage.

⚠ NOTE

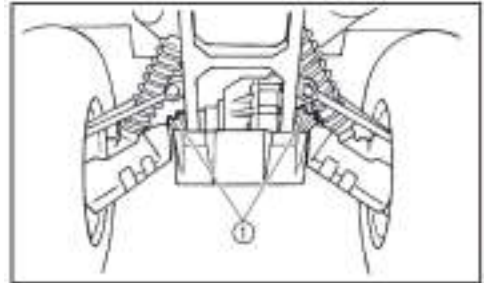
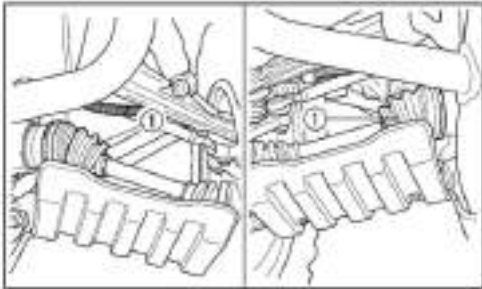
If any leakage is found, have your dealer check the cooling system.

14. Install the panels and the front rack.

MAINTENANCE & LUBRICATION

AXLE DUST BOOTS

Check the protective boots for holes or wears.
If any damage is found, have them replaced by your dealer.



SPARK PLUG INSPECTION

Removal

1. Remove the panel.
2. Remove the spark plug cap (1).
3. Use the spark plug wrench in the tool kit to remove the spark plug as shown.



MAINTENANCE & LUBRICATION

INSPECTION

The spark plug is an important engine component and is easy to inspect. The condition of the spark plug can indicate the condition of the engine. The ideal color on the white insulator around the center electrode is a medium-to-light tan color for an ATV that is being ridden normally. Do not attempt to diagnose such problems yourself. Instead, take the ATV to your dealer. You should periodically remove and inspect the spark plug because heat and deposits will cause the spark plug to slowly break down and erode. If electrode erosion becomes excessive, or if carbon and other deposits are excessive, you should replace the spark plug with the specified plug.



⚠ NOTE

Specified spark plug : DCPR8E (NGK)

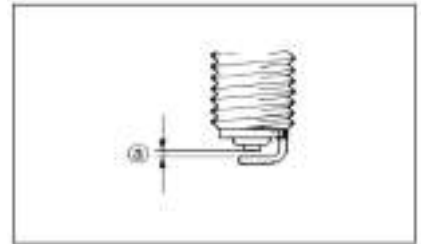
INSTALLATION

1. Measure the electrode gap with a wire thickness gauge and, if necessary, adjust the gap to specifications.

⚠ NOTE

Spark plug gap: 0.8–0.9 mm

2. Clean the gasket surface. Wipe off any grime from the threads.
3. Install spark plug and tighten to specified torque.



MAINTENANCE & LUBRICATION

▲ NOTE

Tightening: torque of spark plug: 20N · m

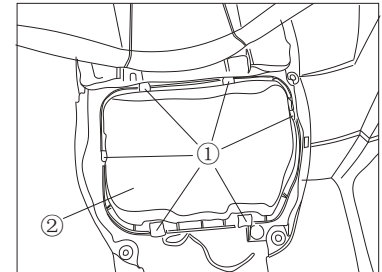
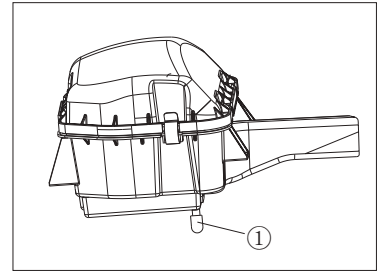
If a torque wrench is not available when you are installing a spark plug, a good estimate of the correct torque is 1/4 to 1/2 turn past finger tight. Have the spark plug tightened to the specified torque as soon as possible.

4. Install the spark plug cap.
5. Install the panel.

AIR FILTER ELEMENT CLEANING

here is a check hose (1) at the bottom of the air filter case. If dust or water collects in this hose, empty the hose and clean the air filter element and air filter case. If there is a lot for water, please contact your local dealer to check if there is any water inside crankcase.

1. Remove seat and disassemble cover of air filter.
2. Remove spring (1) and remove upper cover of air filter (2).
3. Remove bolt of pipe clamp (3).
4. Remove air filter, element (4).
5. Remove polyurethane foam of filter element, Wash the air filter element gently but thoroughly in solvent. Squeeze the excess solvent out of the air filter element and let it dry.



MAINTENANCE & LUBRICATION

6. Softly clean dust on filter element.
7. If necessary, use new filter element to replace.

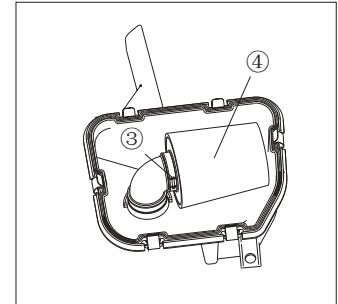
⚠ CAUTION

Do not use liquid to wash paper filter element.

1. Inspect the air filter element and replace it if damaged.
2. Install air filter element and connect to hose.
3. Install the air filter, case cover and be sure to seal ring installed well.

⚠ NOTE

The air filter element should be cleaned every 50 hours, It should be cleaned and lubricate more often if the machine is operated in extremely dusty areas. Each time air filter element, maintenance is performed, check the air inlet to the air filter box for obstructions. Check the air filter element, rubber joint to the throttle body and manifold fittings for an airtight seal. Tighten all fittings securely to avoid the possibility of unfiltered air entering the engine.



MAINTENANCE & LUBRICATION

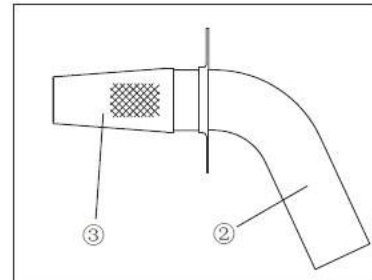
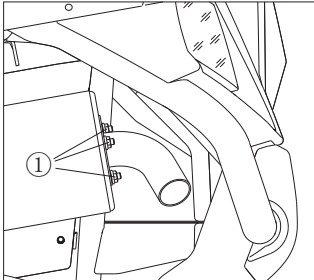
⚠ DANGER

Do not start engine without air filter element. Not filtered air will enter into the engine and cause engine wear and damage. In addition, driving without air filter will also decrease performance and engine overheating.

CLEANING THE SPARK ARRESTOR

Clean spark arrestor while muffler and exhaust are at normal temperature.

1. Remove nut (1).
2. Remove spark arrester (2) from muffler.
3. Tap the tailpipe lightly, and then use a wire brush to remove any carbon deposits (3) from the spark arrester portion of the tailpipe.
4. Insert the tailpipe into the muffler and align the bolt holes.
5. Install and tighten the bolts (1).



MAINTENANCE & LUBRICATION

⚠ DANGER

When cleaning the spark arrester: Always let the exhaust system cool prior to touching exhaust components. Do not start the engine when cleaning the exhaust system.

CVT AIR-INLET HOSE CLEANING

If dust or water collects in the V-belt cooling duct check hose, remove the hose (1) and clean it.

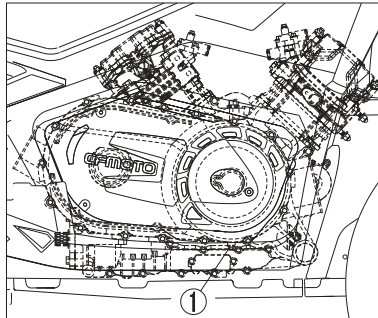


CVT COVER DRAIN BOLT

After riding in water deep enough to allow it to enter the V-belt case, remove this bolt to drain the water from the case.

⚠ WARNING

If water drains from the V-belt case after removing the bolt, have your dealer inspect the ATV as the water may have affected other engine parts.



MAINTENANCE & LUBRICATION

THROTTLE BODY ADJUSTMENT

The throttle body is a vital part of the engine and requires very sophisticated adjustment. Most adjusting should be left to your dealer who has the professional knowledge and experience to do so. However, the idling speed may be performed by the owner as a part of the usual maintenance routine. The throttle body was set at the factory after many tests. If the settings are disturbed by someone without sufficient technical knowledge, poor engine performance and damage may result. Check idle for stability and contact your dealer for service if necessary.

ENGINE IDLE ADJUSTMENT

WARNING

This vehicle is equipment with an Electronic Fuel Injection (EFI) system, and no need to adjust idle, or performance will be affected.

Contact your dealer in case abnormal idle.

 **NOTE** Engine idle: 1,300±100rpm (Heated engine)

ENGINE AIR INLET/OUTLET VALVE CLEARANCE ADJUSTMENT

The correct valve clearance changes with use, resulting in improper fuel/air supply or engine noise. To prevent this, the valve clearance must be adjusted regularly. This adjustment however, should be left to a professional service technician.

MAINTENANCE & LUBRICATION

⚠ NOTE

Adjust the engine idling speed before adjusting the throttle lever free play.

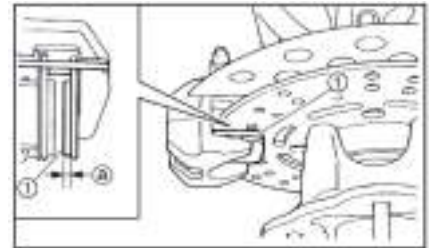
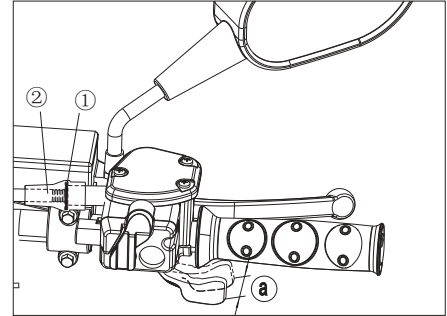
1. Loosen nut (1)
2. Turn adjustment nut (2) to lever travel :
(a) 3–5 mm.
3. Fasten nut (1).

FRONT BRAKE PAD CHECK

Check the brake pads (1) for damage and wear. Replace the pads as a set.

⚠ NOTE

The wheels need to be removed to check brake pads (1)



MAINTENANCE & LUBRICATION

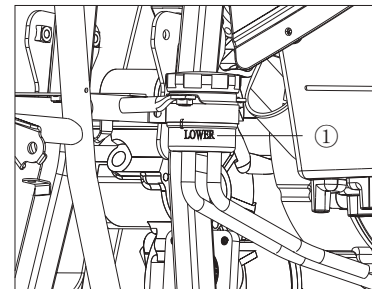
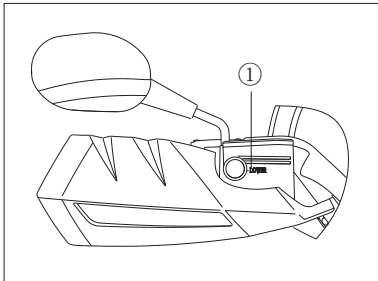
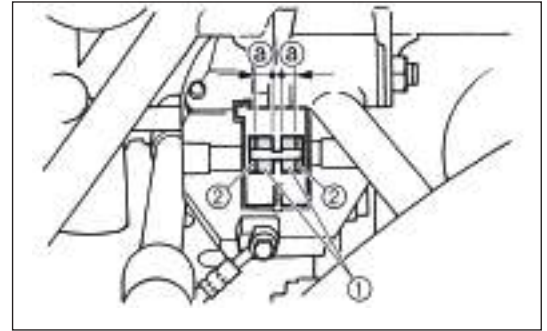
REAR BRAKE PAD INSPECTION

Inspect the brake pads for damage and wear. If the thickness (a) is less than 1.5 mm have your dealer replace the pads.

INSPECT BRAKE FLUID LEVEL

Insufficient brake fluid may let air enter the brake system, possibly causing the brakes to become ineffective.

Before riding, check that the brake fluid is above the lower level and replenish when necessary. The front brake fluid, master cylinder reservoir (1) is located on the right of the handlebar. The rear brake fluid, master cylinder reservoir (1) is near the rear brake pedal.



MAINTENANCE & LUBRICATION

INSPECT BRAKE FLUID LEVEL

Observe these precautions:

1. When checking the fluid level, make sure the top of the master cylinder reservoir is level by turning the handlebars.
2. Use only the designated quality brake fluid. Otherwise, the rubber seals may deteriorate, causing leakage and poor brake performance.

⚠ NOTE

Recommended brake fluid: DOT 3 or DOT 4.

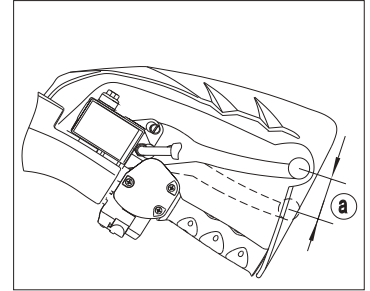
3. Refill with the same type of brake fluid. Mixing fluids may result in a harmful chemical reaction and lead to poor brake performance.
4. Be careful that water does not enter the master cylinder reservoir when refilling. Water will significantly lower the boiling point of the fluid and may result in vapor lock.
5. Brake fluid may deteriorate painted surfaces or plastic parts. Always clean up spilled fluid immediately.
6. Have your dealer check the cause if the brake fluid level goes down.

MAINTENANCE & LUBRICATION

BRAKE FLUID CHANGE

Complete fluid replacement should be done only by trained service personnel. Have your dealer replace the following components during periodic maintenance or when they are damaged or leaking.

- Replace the oil seals every two years.
- Replace the brake hoses every four years.



FRONT LEVER FREE PLAY

The front brake lever should have a free play of zero mm (zero in) at the lever end. If not, have your dealer check the brake system.

⚠ DANGER (After servicing)

Make sure the brakes operate smoothly and that the free play is correct.

- Make sure the brakes do not drag. Make sure the brakes are not spongy.
- All air must be bled from the brake system. Replacement of brake components requires professional knowledge. These procedures should be performed by your dealer.

MAINTENANCE & LUBRICATION

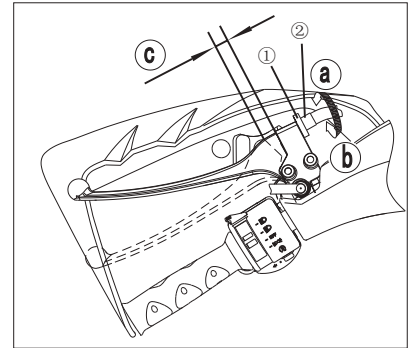
REAR BRAKE LEVER FREE PLAY ADJUSTMENT

The rear brake lever free play (c) should be 0.5-2mm.

1. Loosen the locknut (1).
2. Turn the adjusting bolt (2) in (a) direction, to increase free play, and in direction (b) to decrease free play.
3. Tighten the locknut (1).

If correct free play cannot be obtained, ask your dealer to make that adjustment.

- Be sure not to step on the brake pedal.
- Make sure the brake pedal does not move.



MAINTENANCE & LUBRICATION

REAR BRAKE PEDAL HEIGHT ADJUSTMENT

Adjust the rear brake before inspecting the rear brake pads.

▲ NOTE

The top of the brake pedal should be positioned 110-120mm above the top of the footrest. If not, ask your dealer to adjust it.

▲ DANGER

After servicing :

Make sure the brakes operate smoothly and that the free play is correct.

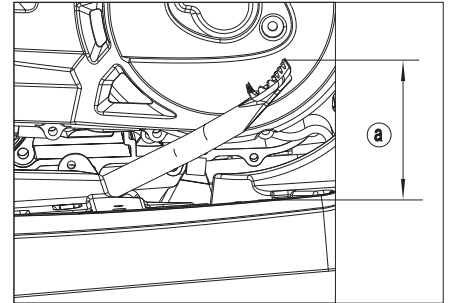
Make sure the brakes do not drag.

All air must be bled from the brake system.

Replacement of brake components requires professional knowledge. These procedures should be performed by your dealer.

REAR BRAKE LIGHT SWITCH

The rear brake light switch, which is activated by the brake pedal and brake levers, is properly adjusted when the brake light comes on just before braking takes effect.



MAINTENANCE & LUBRICATION

REAR BRAKE LIGHT SWITCH

Check switch assembly or cable is properly fixed in case light failure.
Cable inspection and lubrication

⚠ DANGER

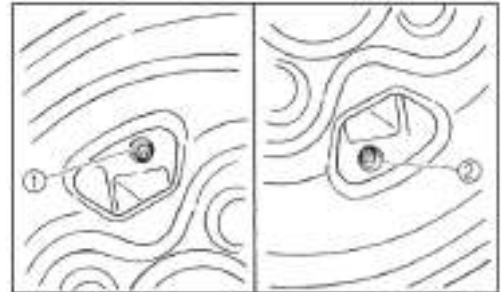
Inspect cables frequently. Replace damaged cables. Lubricate the inner cables and the cable ends. If the cables do not operate smoothly, ask your dealer to replace them.

⚠ NOTE

Recommended lubricant: SAE 10W30.

REAR KNUCKLE UPPER AND LOWER PIVOT LUBRICATION.

Lubricate the inner cables and the cable ends. If the cables do not operate smoothly, ask your dealer to replace them.



MAINTENANCE & LUBRICATION

⚠ NOTE

Recommended lubricant: Lithium-soap-based grease

WHEEL REMOVAL

1. Loosen the wheel nuts.
2. Elevate the ATV and place a suitable stand under the frame.
3. Remove the nuts from the wheel.
4. Remove the wheel.

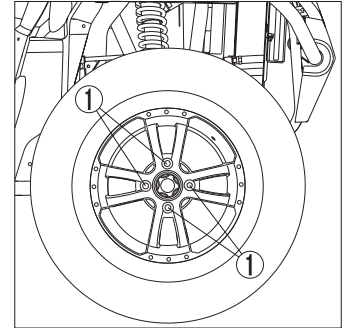
WHEEL INSTALLATION:

1. Install the wheel and the nuts.

⚠ NOTE

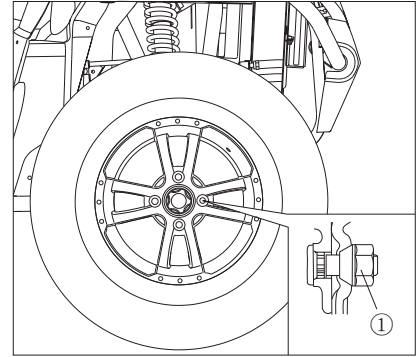
Tapered nuts are used for both the front and rear wheels. Install the nut with its tapered side towards the wheel

The arrow mark on the tire must point toward the rotating direction of the wheel.



MAINTENANCE & LUBRICATION

2. Lower the ATV so that the wheel is on the ground.
3. Tighten the wheel nuts to the specified torque.



⚠ NOTE

Wheel nut torque: Front: 55 N m; Rear: 55 N m

BATTERY

This machine is equipped with maintenance-free battery. Therefore it is not necessary to check the electrolyte or add distilled water in the battery. If the battery seems to have discharged, consult your dealer.

⚠ NOTE

Battery specification : 12V 30Ah

MAINTENANCE & LUBRICATION

⚠ WARNING

Do not try to remove the sealing caps of the battery cells. You may damage the battery.

⚠ DANGER

Avoid contact with skin, eyes, or clothing. Always shield eyes when working near batteries. Keep out of reach of children.

ANTIDOTE

EXTERNAL: Flush with water. **INTERNAL:** Drink large quantities of water or milk. Follow with milk of magnesia, beaten egg or vegetable oil. Get prompt medical attention. **EYES:** Flush with water for 15 minutes and get prompt medical attention. Keep batteries away from sparks, flames, cigarettes or other sources of ignition. Ventilate when charging or using in a closed space.

BATTERY MAINTENANCE

1. When the ATV is not used for a month or longer, remove the battery and store it in a cool, dark place. Completely recharge the battery before reinstallation.
2. A special battery charger (constant voltage/ampere or constant voltage) is required for recharging battery. Use a conventional battery charger may shorten the battery life.
3. Always make sure the connections are correct when putting the battery back in the machine.

MAINTENANCE & LUBRICATION

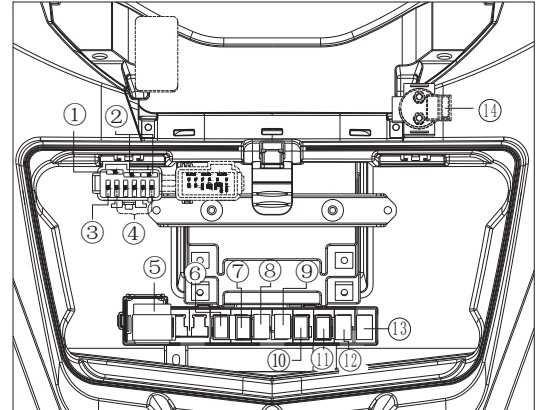
FUSE REPLACEMENT

1. The main fuse case and the fuse box are located under front top cover.
2. If a fuse is blown, turn off the main switch and install a new fuse of the specified amperage. Then turn on the switches. If the fuse immediately blows again, consult your dealer.

Always use a fuse of the specified rating.
Never use a material in place of the proper fuse.

FUSE LOCATOR

- | | |
|-----------------------|-----------------------|
| (1) Spare Fuse 10 AMP | (2) Spare Fuse 15 AMP |
| (3) Fuse 10 AMP | (4) Fuse 15 AMP |
| (5) Flash Relay | (6) Start Relay II |
| (7) Start Relay I | (8) Fuel Pump |
| (9) Brake Light | (10) 4x4 Lock Relay |
| (11) 2x4 Lock Relay | (12) Fan Relay |
| (13) Headlight | (14) Main 30 AMP |



MAINTENANCE & LUBRICATION

⚠ WARNING

To prevent accidental short-circuit, turn off the main switch when checking or replacing a fuse.

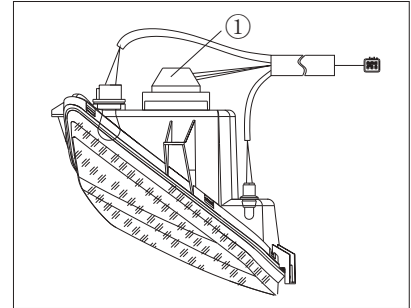
HEADLIGHT BULB REPLACEMENT

If a headlight bulb burns out, replace it as follows:

1. Remove headlight cover;
2. Remove the rubber cover at the rear of the headlight by pulling it off.
3. Remove the headlight lock spring.
4. Pull headlight bulb out from the headlight bulb holder.

⚠ DANGER

5. Wait for the bulb to cool before touching or removing it. Insert a new headlight bulb into the headlight bulb holder and then lock it by spring.
6. Install the bulb holder by turning it clock-wise.
7. Install the headlight cover with the bolts.

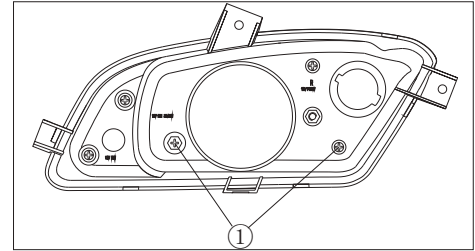


MAINTENANCE & LUBRICATION

HEADLIGHT BEAM ADJUSTMENT

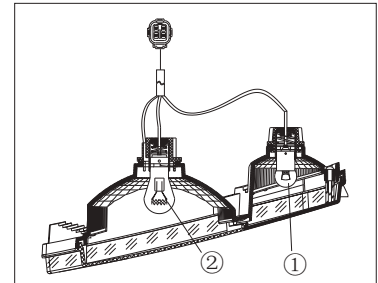
⚠ WARNING

It is advisable to have your dealer make this adjustment. Turn the adjusting screws (1) can raise or lower the beam.



AIL/BRAKE LIGHT BULB REPLACEMENT

1. If the tail/brake light bulb burns out, replace it as follows.
2. Open rubber cover; take out tail light/brake (2) and turning light (1).
3. Insert a new tail/brake light bulb, push it in, and the turning it clockwise.
4. Install the tail/brake light cover with the screws.



MAINTENANCE & LUBRICATION

FRONT AND REAR SUSPENSION ADJUSTMENT

The spring preload can be adjusted to suit the rider's weight and riding conditions.

⚠ NOTE

When adjusting the rear shock absorbers, the rear wheels need to be removed. Adjust the spring preload as follows.
To increase the spring preload, turn the adjusting ring in Direction (a).
To decrease the spring preload, turn the adjusting ring in Direction (b).

⚠ NOTE

A special wrench can be obtained at a dealer to make this adjustment.
Standard position: B
A- Minimum (soft)
E- Maximum (hard)

⚠ DANGER

Always adjust the shock absorbers on the left and right side to the same setting.



MAINTENANCE & LUBRICATION

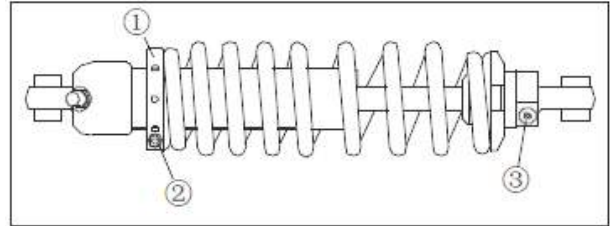
OPTIONAL 1 SHOCK ABSORBER ADJUSTMENT (FRONT AND REAR ADJUSTMENT ARE SAME)

Spring pre-load adjustment:

Loosen lock screw (2) .Turn spring adjustment nut (1) to proper position then tighten lock screw.

Damping restores adjustment :

Tighten adjust screw (3) and counter Circles, then loosen to suitable circles.



⚠ ATTENTION

After adjustment, keep left and right shock absorber balance.

OPTIONAL 2 SHOCK ABSORBER ADJUSTMENT (FRONT ADJUSTMENT PROCEDURES)

Spring adjustment:

Loosen lock nut (2). Turn adjust nut (3) to proper hardness, and then tighten lock nut (2).

DAMPING RESTORE ADJUSTMENT

Turn adjuster (4) to SLOW side until to end and counter shifts, then turn to FAST side until suitable to your comfort.

Damping press adjustment :

Turn adjuster (1) to HARD side and counter shifts, and then turn to SOFT side until suitable to your comfort.

MAINTENANCE & LUBRICATION

⚠ ATTENTION

After adjustment, keep left and right shock absorber balance.

⚠ ATTENTION

Optional 2 shock absorber adjustment.
(REAR ADJUSTMENT PROCEDURES)

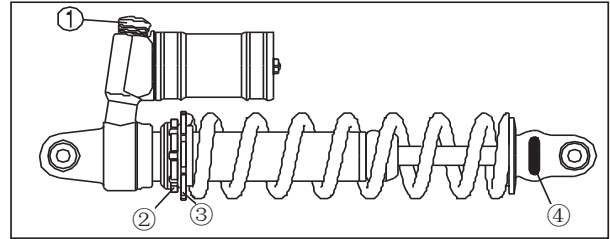
Spring adjustment :

Loosen lock nut (3). Turn adjust nut (2) to proper hardness, and then tighten lock nut (3).

Damping restore adjustment :

Turn adjuster (1) to SLOW side until to end and counter shifts. Then turn to FAST side until suitable to your comfort.

Damping press is not possible to adjust.



⚠ ATTENTION

After adjustment, keep left and right shock absorber balance.

VEHICLE IMMERSION

⚠ WARNING

If your vehicle becomes immersed, major engine damage can result if the machine is not thoroughly inspected. Take the vehicle to your dealer before starting the engine. For example, if engine is not properly handled after immersion, starting will damage the engine.

CLEANING AND STORAGE

CLEANING THE ATV

Keeping your ATV clean will not only improve its appearance but it can also extend the life of various components. With a few precautions, your ATV can be cleaned much like an automobile.

WASHING THE ATV

The best and safest way to clean your ATV is with a garden hose and a pail of mild soap and water. Use a professional type washing mitten, cleaning the upper body first and the lower parts last. Rinse with water frequently and dry with a chamois to prevent water spots.

NOTE

If warning and safety labels are damaged, contact your dealer for replacement. We do not recommend the use of a high-pressure type car wash system for washing your ATV. If a high pressure system is used, exercise extreme care to avoid water damage to the wheel bearings, transmission seals, body panels, brakes, warning labels, air filter intake system and electric system, etc. Water is not allowed to enter into air filter.

NOTE

Grease all zerk fittings immediately after washing, and allow the vehicle to run for a while to evaporate any water that may have entered the engine or exhaust system.

CLEANING AND STORAGE

WAXING THE ATV

Your ATV can be waxed with any non-abrasive automotive paste wax. Avoid the use of harsh cleaners since they can scratch the body finish.

CAUTION

Certain products, including insect repellants and chemicals, will damage plastic surfaces. Use caution when using these products near plastic surfaces.

CAUTION

Starting the engine during the storage period will disturb the protective film created by fogging and damage could occur. Never start the engine during the storage period.

CLEANING THE EXTERIOR

Make necessary repairs and then clean the ATV thoroughly with mild soap and warm water to remove all dirt and grime. Do not use harsh detergents or high-pressure washers. Some detergents deteriorate rubber parts. Use dish soap type cleaners only. High-pressure washers may force water past seals.

CLEANING AND STORAGE

OIL AND FILTER

Warm the engine, then stop the engine and change the oil and filter.

CAUTION

When draining out fuel in the fuel pipe and air pipe, if dashboard says only one grid of fuel left, remove fuel pump connector to drain out fuel in fuel tank, or else, it may damage fuel pump.

AIR FILTER/ AIR BOX

Inspect and clean or replace air filter. Clean the air box and drain the sediment tube.

FLUID LEVELS

Inspect the following levels and change if necessary: front gear case, rear gear case, engine oil, brake fluid (change every two years or as required if fluid looks dark or contaminated), coolant.

CLEANING AND STORAGE

FOG THE ENGINE

Remove spark plug and add 15-20ml SAE 15W-40/SG engine oil. To access the plughole, use a section of clean hose and a small plastic squeeze bottle filled with the pre-measured amount of oil.

CAUTION

Do this carefully! If you miss the plughole, oil will drain from the spark plug cavity, and appear to be an oil leak.

Remove plug cap and turn crankshaft to make engine run slowly. Oil will be forced in and around the piston, piston rings and coating the cylinder with a protective film of fresh oil.

If you choose not to use the above way, perform the following procedure:

1. Support the front end of the vehicle so the engine is level or tilted slightly rearward.
2. Remove the spark plug, rotate the piston to BDC and pour approximately 15-20ml oil into cylinder.
3. Remove plug cap and turn crankshaft to make engine rotate slowly.
4. Turn engine several times to ensure the coverage of piston rings and cylinder walls.
5. Treat the fuel system with Carbon Clean.
6. If fuel system Carbon Clean is not used the, fuel tank, fuel pipe and throttle body should be completely drained of gasoline. This will eliminate any fuel remaining in the fuel pipe.

CLEANING AND STORAGE

LUBRICATE

Inspect all cables and lubricate with Cable Lubricant. Follow lubrication guidelines in the maintenance section of the service manual to completely grease and lubricate the entire vehicle with All Season Grease.

BATTERY STORAGE

Remove battery from the vehicle and ensure that it is fully charged before placing it in storage.

ENGINE ANTI-FREEZE

Test engine coolant strength and change if necessary. Coolant should be replaced every two years.

STORAGE AREA/COVERS

Set the tires to specified air pressure and support the ATV tires 30~40mm off the ground. Be sure the storage area is well ventilated and cover the machine with an ATV cover.

CLEANING AND STORAGE

NOTE

Do not use plastic or coated materials. They do not allow enough ventilation to prevent condensation, and may promote corrosion and oxidation.

TRANSPORTING THE ATV

ATV's cannot be transported in a stand up position, follow these procedures when transporting the vehicle:

1. Turn off the engine and remove the key to prevent loss during transporting.
2. Place the gear into any position except Park position, block front and rear wheels to prevent ATV movement.
3. Never transport ATV with selector in the Park position, this could cause engine damaged.
4. Fix both the front and rear frames of ATV at the same time, to prevent ATV sliding or moving around during transportation.
5. Be sure the fuel cap, oil cap, and seat are installed correctly.

TROUBLESHOOTING

DRIVE BELT AND COVER PROBLEMS

POSSIBLE CAUSE	SOLUTION
Driving the ATV onto a pickup or tall trailer in high range.	Shift transmission to low range during loading of the ATV to prevent belt burning.
Starting out going up a steep incline.	When starting out on an incline, use low range or dismount the ATV (after first applying the park brake) and perform the K-turn as described on page 68.
Driving at low RPM or low ground speed(at approximately 5–10 km/h).	Drive at a higher speed or use low range more frequently. The use of low range is highly recommended for cooler CVT operating temperatures and longer component life.
Insufficient warm-up of ATVs exposed to low ambient temperatures.	Warm the engine before driving, the belt will become more flexible and prevent belt burning.
Slow and easy clutch engagement.	Use the throttle quickly and effectively for efficient engagement.
Towing/pushing at lowRPM/low ground speed.	Use low range only.
Utility use/plowing snow, dirt, etc.	Use low range only.

TROUBLESHOOTING

POSSIBLE CAUSE	SOLUTION
Stuck in mud or snow.	Shift the transmission to low range, and carefully use fast, aggressive throttle application to engage clutch. WARNING: Excessive throttle may cause loss of control and vehicle overturn.
Climbing over large objects from a stopped position.	Shift the transmission to low range, and carefully use fast, brief, aggressive throttle application to engage clutch. Excessive throttle may cause loss of control and vehicle overturn.
Belt slippage from water or snow ingestion into the CVT system.	Remove the CVT cover drain the water from CVT.
Clutch malfunction.	Contact your dealer for inspection of clutch components.

TROUBLESHOOTING

ENGINE DOESN'T TURN OVER

POSSIBLE CAUSE	SOLUTION
Poor engine performance.	Check for fouled plugs or foreign material in gas tank, fuel lines, or throttle. Contact your dealer for service.
Tripped circuit breaker	Reset the breaker
Low battery voltage	Recharge battery to 12.5 VDC
Loose battery connections	Check all connections and tighten
Loose solenoid connections	Check all connections and tighten

ENGINE PINGS OR KNOCKS

POSSIBLE CAUSE	SOLUTION
Poor quality or low octane fuel	Replace with recommended fuel
Incorrect ignition timing	See your dealer
correct spark plug gap or heat range	Set gap to specs or replace plugs

ENGINE STOPS OR LOSES POWER

POSSIBLE CAUSE	SOLUTION
Overheated engine	Clean radiator screen and core if equipped Clean engine exterior See your dealer

TROUBLESHOOTING

ENGINE TURNS OVER, FAILS TO START

POSSIBLE CAUSE	SOLUTION
Out of Fuel	Refuel
Clogged fuel valve or filter	Inspect and clean or replace
Water is present in fuel	Drain the fuel system and refuel
Fuel valve is out of use	Replace
Old or non-recommended fuel	Replace with new fuel
Fouled or defective spark plug(s)	Inspect plug(s), replace if necessary
No spark to spark plug	Inspect plug(s), verify stop switch is on
Crankcase filled with water or fuel	Immediately see your dealer
Clogged fuel injector	Clean or replace new fuel injector
Low battery voltage	Recharge battery to 12.5 VDC
Mechanical failure	See your dealer

TROUBLESHOOTING

ENGINE BACKFIRES

POSSIBLE CAUSE	SOLUTION
Weak spark from spark plugs	Inspect, clean and/or replace spark plugs
Incorrect spark plug gap or heat range	Set gap to specs or replace plugs
Old or non-recommended fuel	Replace with new fuel
Incorrectly installed spark plug wires	See your dealer
Incorrect ignition timing	See your dealer
Mechanical failure	See your dealer

ENGINE RUNS IRREGULARLY, STALLS OR MISFIRES

POSSIBLE CAUSE	SOLUTION
Fouled or defective spark plugs	Inspect, clean and/or replace spark plugs
Worn or defective spark plug wires	See your dealer
Incorrect spark plug gap or heat range	Set gap to specs or replace plugs
Loose ignition connections	Check all connections and tighten
Water present in fuel	Replace with new fuel
Low battery voltage	Recharge battery to 12.5 VDC

TROUBLESHOOTING

ENGINE RUNS IRREGULARLY, STALLS OR MISFIRES

POSSIBLE CAUSE	SOLUTION
Kinked or plugged fuel vent line	Inspect and replace
Incorrect fuel	Replace with recommended fuel
Clogged air filter	Inspect and clean or replace
Reverse speed limiter malfunction	See your dealer
Electronic throttle control malfunction	See your dealer
Other mechanical failure	See your dealer
Possible Lean or Rich Fuel Mixture	See your dealer
Low or contaminated fuel	Add or change fuel, clean the fuel system
Low octane fuel	Replace with recommended fuel
Clogged fuel filter	Replace filter
Incorrect jetting	See your dealer
Fuel is very high octane	Replace with lower octane fuel

TROUBLESHOOTING

ENGINE STOPS OR LOSES POWER

POSSIBLE CAUSE	SOLUTION
Out of fuel	refuel
Kinked or plugged fuel vent line	Inspect and replace
Water present in fuel	Replace with new fuel
Fouled or defective spark plugs	Inspect, clean and/or replace spark plugs
Worn or defective spark plug wires	See your dealer
Incorrect spark plug gap or heat range	Set gap to specs or replace plugs
Loose ignition connections	Check all connections and tighten
Low battery voltage	Recharge battery to 12.5 VDC
Clogged air filter	Inspect and clean or replace
Reverse speed limiter malfunction	See your dealer
Electronic throttle control malfunction	See your dealer
Other mechanical failure	See your dealer

TROUBLESHOOTING

PCODE LIST

PCODE uses 4-digit flashing :

For Example "0650" "0" flashes 10 times, "6" flashes 6 times, "5" flashes 5 times, "0" flashes 10 times.

ITEM#	CODE#	TEOUBLE DESCRIPTION
13	P0131	02S 1 Circuit Low Voltage
14	P0132	02S 1 Circuit High Voltage
15	P0032	02S 1 Heater Circuit High Votage
16	P0031	02S 1 Heater Circuit Low Voltage
17	P0201	Injector 1 Circuit Malfunction
18	P0202	Injector 2 Circuit Malfuntion
19	P0230	FPR Coil Circuit Low Voltage or Open
20	P0232	FPR Coil Circuit High Voltage
21	P0336	CKP Sensor Noisy Signal
22	P0337	CKP Sensor No signal
23	P0351	Cylinder 1 Ignition Coil Malfunction
24	P0352	Cylinder 2 Ignition Coil Malfunction
29	P0505	Idle Speed Control Error

TROUBLESHOOTING

ITEM#	CODE#	TEOUBLE DESCRIPTION
30	P0562	System Voltage Low(Battery)
31	P0563	System Voltage High(Battery)
32	P0650	MIL Circuit Malfunction
33	P0693	Tachometer (RPM) Circuit Low Voltage
36	P0694	Tachometer (RPM) Circuit High Voltage
37	P0317	02S 2 Circuit Low Voltage
38	P0318	02S 2 Circuit High Voltage
39	P0038	02S Heater 2 Circuit High Voltage
51	P0037	02S Heater 2 Circuit Low Voltage
52	P0500	VSS No Sibnal
60	P0850	Park Neutral Switch Error
61	P0445	CCP short to high
62	P0444	CCP short to low/open

TECHNICAL SPECIFICATIONS

ITEM	SPECIFICATIONS
	CF800-2
Overall Length	90.49 in(2310mm)
Overall Width	46.45 in(1180mm)
Overall Height	52.75 in(1340mm)
Wheel Base	58.26 in(1480mm)
Minimum ground clearance	10.62 in(270mm)
Min. turning radius	314. in(8000mm)
Basic weight: (With engine oil and full fuel in tank)	1000 lbs(400kg)
Engine model and type	2V91W
Type	V-twin cylinder, 4-stroke, liquid-cooled, 8 valves, SOHC
Bore×Stroke	3.5 in × 2.42in(91mm × 61.5mm)
Displacement	800cc
Compression ratio	10.3 :1
Starting type	Electric start
Lubrication type	Splashed by pressure

TECHNICAL SPECIFICATIONS

ITEM	SPECIFICATIONS
Engine oil: Type Engine oil volume Periodic oil change If change oil filter If overhaul	SAE15W-40/SG 3.5 qt(3.3 L) 3.6 qt(3.4 L) 3.8 qt(3.5 L),after engine running 0.3 qt(0.3L) more refilled
Rear Axle oil Type Volume Periodic oil change Capacity	SAE15W/40 SG or SAE80W/90 GL-4 .26 qt(0.25 L) .31 qt(0.30 L)
Front axle oil: Type Volume Periodic oil change Capacity	SAE15W/40 SG or SAE80W/90 GL-4 .29 qt(0.28 L) .35 qt(0.33 L)
Air filter	Paper and wet type element

TECHNICAL SPECIFICATIONS

ITEM	SPECIFICATIONS
Fuel type	93# octane or above unleaded gasoline
Fuel tank capacity	23 L
Fuel reserve amount	4.0 L
Throttle type:	0800-173000
Spark plug: Type	DCPR8E (or NGK)
Spark plug gap	0.8-0.9 mm
Clutch type	Wet and centrifugal automatic
Transmission	(CVT) + Gear shift
Gear shift/order	Manually/L—H—N—R—P
CVT ratio	2.88-0.70
Gear ratio	Final 1.333 (24/18) Secondary 1.952(41/21) Total L: 43/17 = 2.529 H: 32/28 = 1.143 R: 29/13 = 2.231
Chassis Frame	Steel tube
Caster angle	9° 52'
Kingpin offset	26.5 mm

TECHNICAL SPECIFICATIONS

ITEM	SPECIFICATIONS
Tire: Type Size Front tire Rear tire	Tubeless AT26 × 9—12 38J/ AT26 × 9—14 38J AT26 × 11—12 45J/ AT26 × 11—14 45J
Tire pressure: Front tire Rear tire	 45 kpa 45 kpa
Brake system: Front brake Type Operation Rear brake Type Operation	 Double-disc Operated by right hand Single-disc Operated by left hand and right foot
Suspension: Front suspension Rear suspension	 Double A-arm and independent Double A-arm and independent

TECHNICAL SPECIFICATIONS

ITEM	SPECIFICATIONS
Shock absorber: Front shock absorber Rear shock absorber	Coil spring/Oil damper or Coil spring + Gas/Oil damper Coil spring/Oil damper or Coil spring + Gas/Oil
Wheel travel: Front wheel travel Rear wheel travel	160 mm 200 mm
Electric system Ignition Flywheel	ECU A.C magneto
Headlight type Head light	HS1 12 V, 35 W/35 W 2
Front position light	W5W 12V 5W×2
Tail light/Brake light	P21/5W 12V 21W/5W×2
Battery capacity	12V30Ah

TECHNICAL SPECIFICATIONS

ITEM	SPECIFICATIONS	
Dashboard	“N” indicator light	Green/ϕ 3 LED
	“R” indicator light	Red /ϕ 3 LED
	“P” indicator light	Red /ϕ 3 LED
	“H” indicator light	Yellow /ϕ 3 LED
	“L” indicator light	Yellow /ϕ 3 LED
	Dashboard light	LCD
	Turn indicator light	Green/ϕ 3 LED
	Hi-beam indicator light	Blue/ϕ 3 LED
	Overriding indicator light	Red/ϕ 3 LED
	2WD/4WD indicator light	LCD
	Water temp. indicator light	LCD
	Fuel indicator light	LCD
	EFI trouble indicator light	LCD

“THESE SPECIFICATIONS MAY VARY SLIGHTLY DUE TO MANUFACTURERS. PLEASE CHECK WITH YOUR DEALER FOR CURRENT SPECIFICATIONS”



IMPORT BY: CFMOTO POWERSPORTS, INC.

3935 Holly Lane N. Suite 830, Plymouth, MN 55447, USA

Toll free: (888) 4-CFMOTO (323-6686) Tel: (763) 388 2688 Fax: (763) 388 2695 Website: www.cfmoto-us.com

US1202