



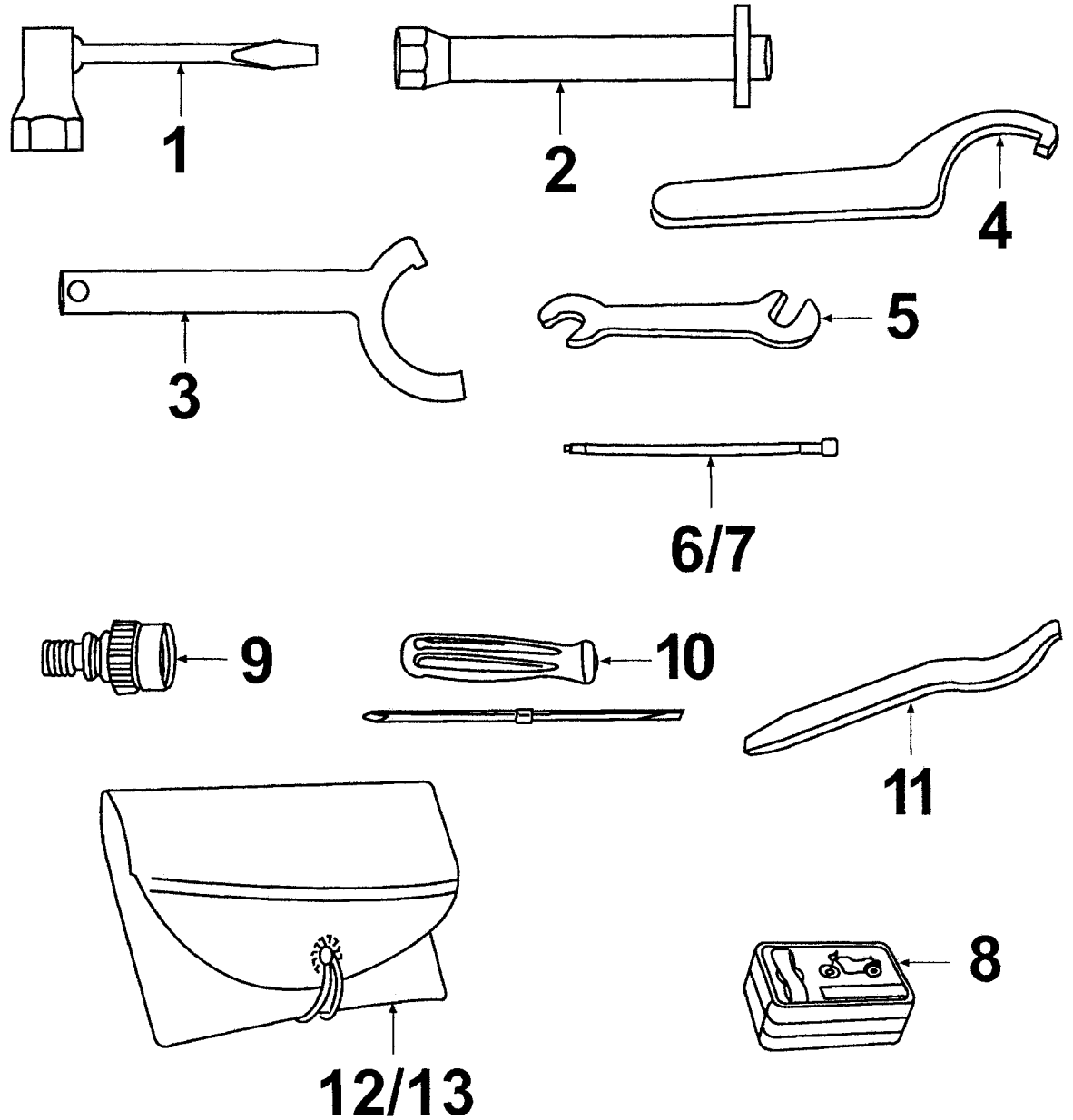


N° REF. C QTY DESCRIPTION

1	738720	1	SPARK PLUG WRENCH
2	741826	1	SPARK PLUG WRENCH
3	741997	1	OPEN-END WRENCH
4	738869	1	OPEN-END WRENCH
5	752226	1	OPEN-END WRENCH 17-19
6	097588	1	ADAPTOR L=200 (MOTORCYCLE VALVE)
7	097405	1	ADAPTOR L=200 (BICYCLE VALVE)
8	001105	1	REPAIR PATCH BOX
9	033202	1	VALVE CONNECTOR
10	714243	1	SCREW-DRIVER
11	062410	1	TIRE LEVER
12	741825	1	KIT TOOLS
13	052723	1	KIT TOOLS

TOOLS

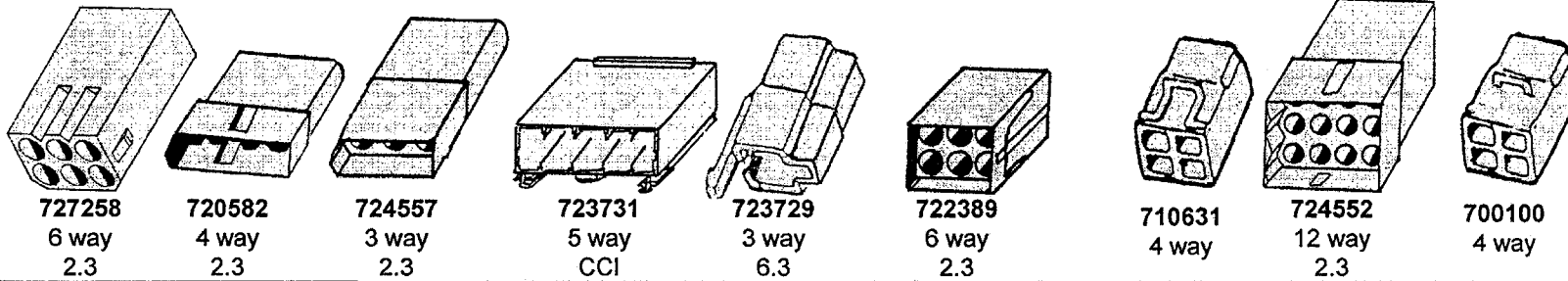
A 05



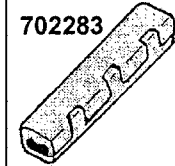
# ELECTRIC COMPONENTS

# A06

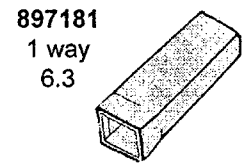
## MALE MULTI COUPLERS



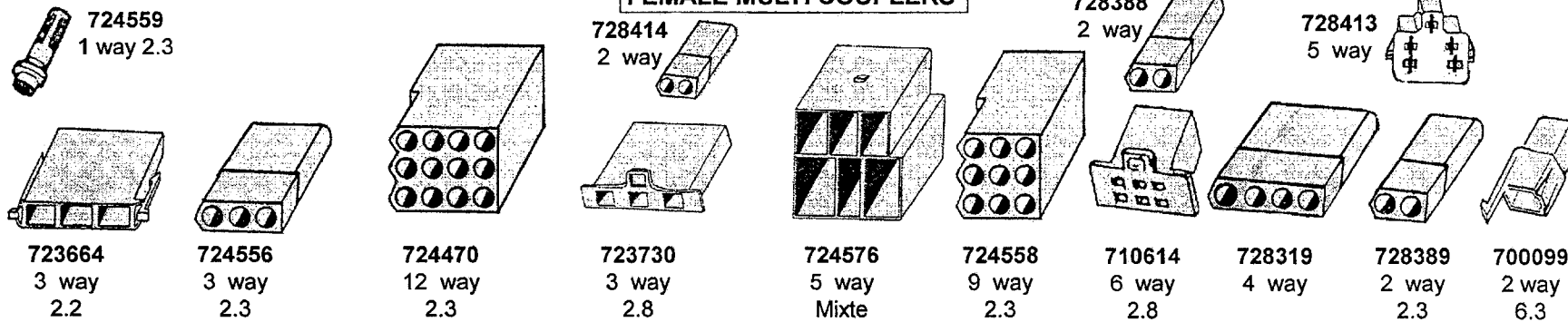
## CABLE JUCTION



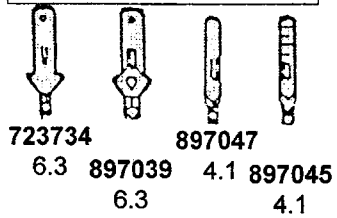
## PROTECTOR



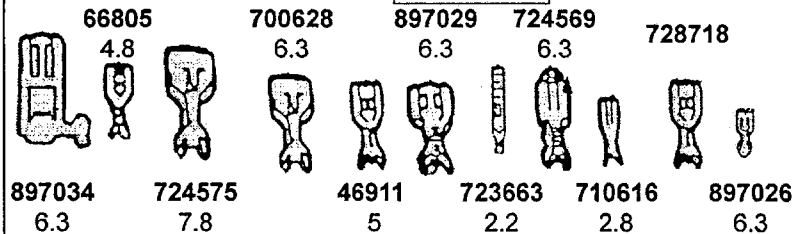
## FEMALE MULTI COUPLERS



## INNER CONNECTORS



## TERMINAL



## HOUSING (per meter)

53359 Ø 7-8  
 69774 Ø 11-13  
 860691 Ø 18-19

## GROMMET

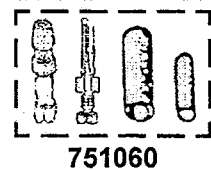
37666 Ø 6.5-2  
 873023 Ø 8-4  
 873024 Ø 10-6  
 873070 Ø 11-6  
 873108 Ø 11-8  
 873029 Ø 16-9

## ELECTRIC LEAD (per meter) 000182

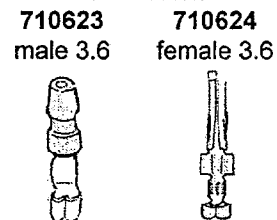
## SHRINKAGE-SOCKET

724476 4.3-20  
 728549 5.5-18  
 728548 6.35-26

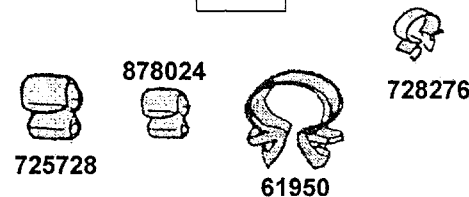
## CONNECTORS



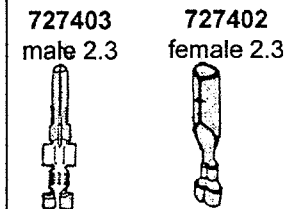
## TERMINAL



## CLIP



## TERMINAL



## PLASTIC STRAP

885008 2.4 L=92  
 885010 3.6 L=208

## TERMINAL

723733 female CCI  
 897125 terminal 6  
 725364 terminal 6-5

# XRACE 50 N - LND

## VEHICLE COLOR

A08

GB

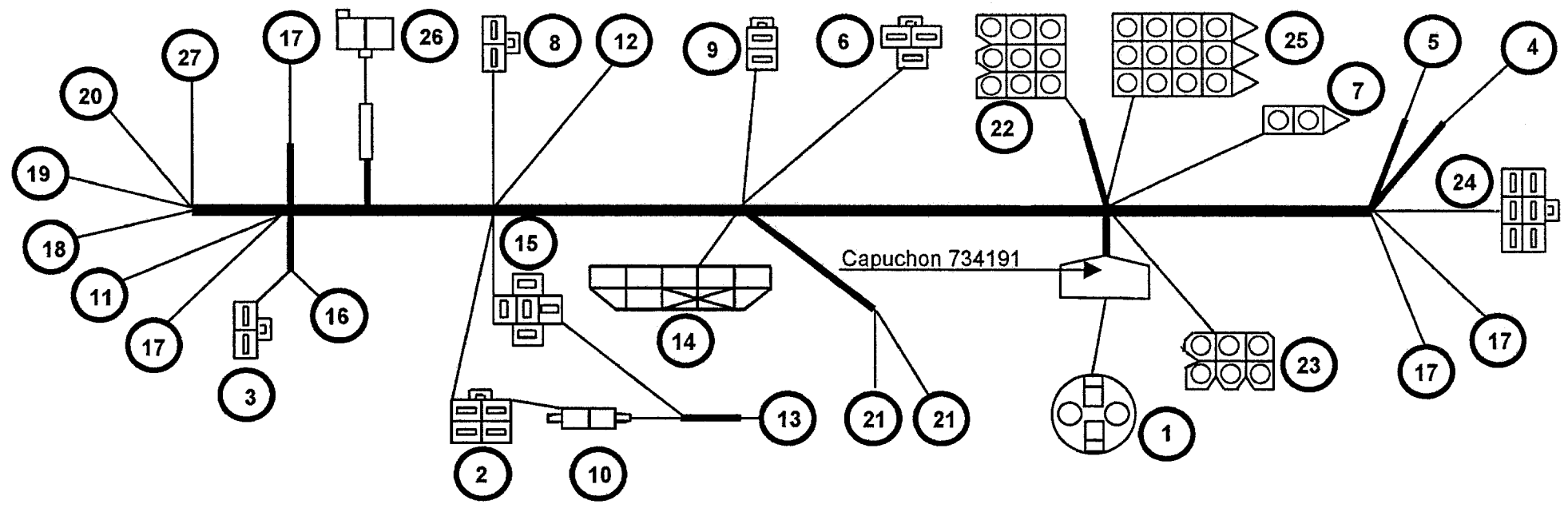
PB

Description of transfer	Reference	Transfer Indice color																				
Sticker " PEUGEOT " right/left floor board	742556	PB																				
Sticker " NEW SINGLE ARM "	743588	NB																				
Sticker " SPEEDFIGHT 2 "	743590	PB																				
Sticker " LION " front cover	744294	RT																				
Sticker " XRACE " front cover	745899	PB																				
Sticker " POLYELLIPSOIDAL CONCEPT "	745900	PB																				
Sticker " CARSA AES " left	745901	PB																				
Sticker " CARSA AES " right	745902	PB																				
Sticker " XRACE " rear	745903	PB																				
Sticker " LIQUID COOLED "	745904	PB																				
Sticker " 100 "	743602	PB																				
DECAL SET	754735																					

N°	Connection	Connector	terminal	Protector
1	Steering lock	734190	728718 + 727402	
2	Regulator	710631	700628	
3	Fuel unit	720459	710616	
4	Resistor		897125	
5	Resistor		710624	724476
6	Flywheel magneto	723729	723734	
7	Front harness	728389	727402	
8	Choke	720459	710616	
9	Starter motor assy.	700099	700628	
10	Fuse holder	728414	728419	
11	Outer ignition coil		897029	728548
12	Battery -		725364	728548
13	Battery +		725364	728548
14	Unit A.C.I. programmed	736757	736758	
15	Starter relay	739396	739397	
16	Oil sensor unit		897034	711988
17	Turn light		710616	
18	Stop light		897029	
19	Red light		710616	
20	Red light		66805	
21	Horne unit		46911	
22	Left switch	734240	727403	
23	Right switch	727258	727402	
24	Headlight assy	710614	710616	
25	Front harness	724470	727402	
26	Temperature probe	736209	733715	
27	License plaque		710624	728549

# SPEEDFIGHT 50 NP - LNDP - NPGP XTEAM<sup>2</sup> - P - LNDP

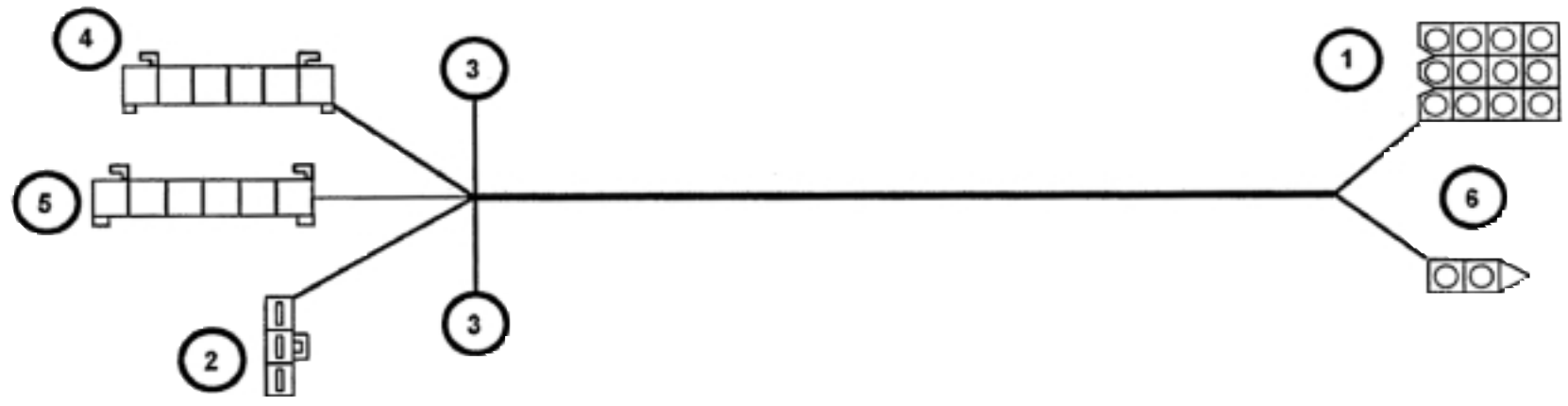
## MAIN HARNESS 744307



N°	Connection	Connector	terminal	Protector
1	Main harness	724552	727403	
2	Turn light	723730	710616	
3	Stop light swith		710616	
4	Speedometer assy.	736482	736481	
5	Speedometer assy.	736483	736481	
6	Main harness	728388	727403	

# SPEEDFIGHT 50 NP - LNDP - NPGP XTEAM<sup>2</sup> - P - LNDP

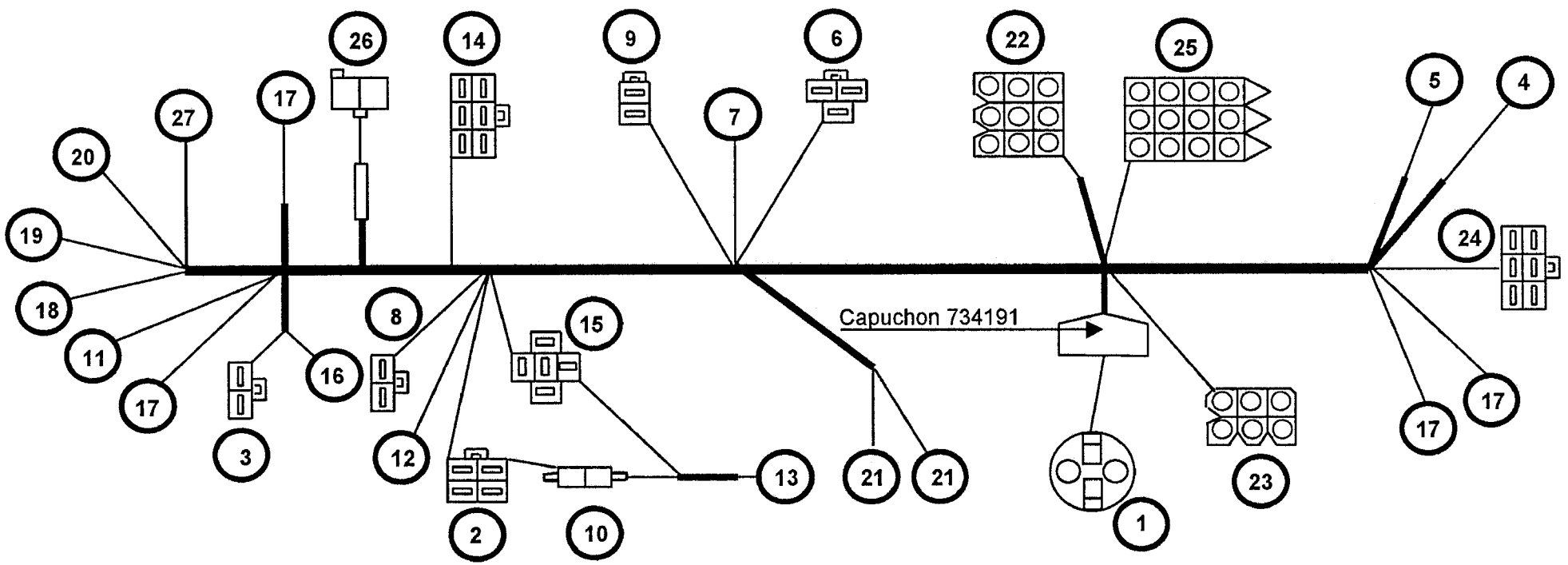
## FRONT HARNESS 737272



N°	Connection	Connector	terminal	Protector
1	Steering lock	734190	728718 + 727402	
2	Regulator	710631	700628	
3	Fuel unit	720459	710616	
4	Resistor		897125	
5	Resistor		710624	724476
6	Flywheel magneto	723729	723734	
7	Flywheel magneto		710623	728549
8	Choke	720459	710616	
9	Starter motor assy.	700099	700628	
10	Fuse holder	728414	728419	
11	Outer ignition coil		897029	728548
12	Battery -		725364	728548
13	Battery +		725364	728548
14	Unit CDI	710614	710616	
15	Starter relay	739396	739397	
16	Oil sensor unit		897034	711988
17	Turn light		710616	
18	Stop light		897029	
19	Red light		710616	
20	Red light		66805	
21	Horne unit		46911	
22	Left switch	734240	727403	
23	Right switch	727258	727402	
24	Headlight assy	710614	710616	
25	Front harness	724470	727402	
26	Temperature probe	736209	733715	
27	License plaque		710624	728549

**SPEEDFIGHT 50  
N - NGP - LND  
XTEAM<sup>2</sup> - LND  
XRACE N - LND**

**MAIN HARNESS 744301**

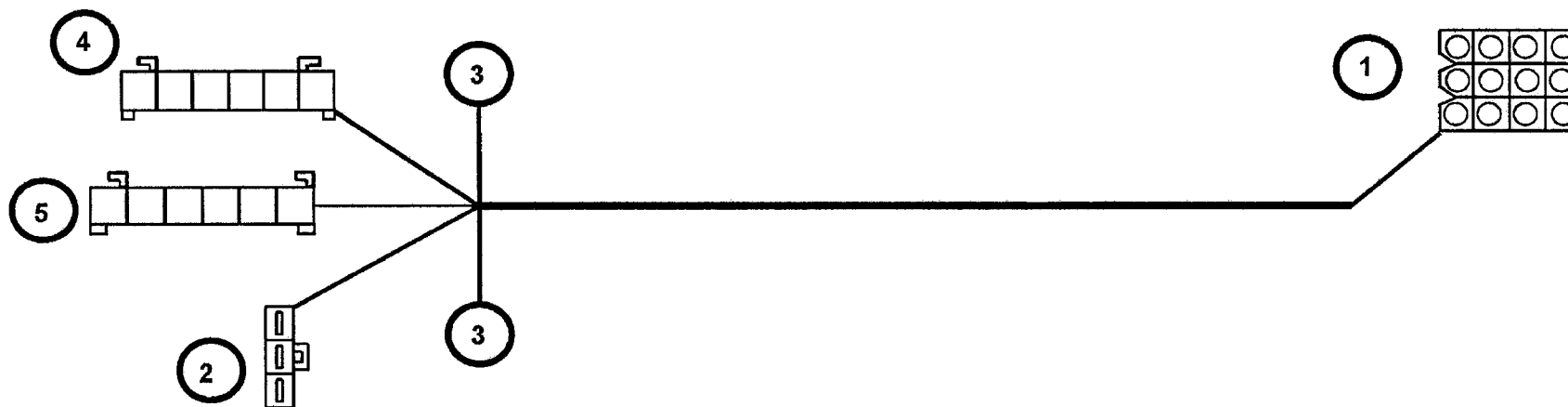




N°	Connection	Connector	terminal	Protector
1	Main harness	724552	727403	
2	Turn light	723730	710616	
3	Stop light swith		710616	
4	Speedometer assy.	736482	736481	
5	Speedometer assy.	736483	736481	

**SPEEDFIGHT 50  
N - LND - NGP  
XTEAM<sup>2</sup> - LND  
XRACE N - LND**

**FRONT HARNESS 737271**



# XTEAM2-P-LND-LNDP

## VEHICLE COLOR

A13

GB

RB

Description of transfer

Reference

Transfer Indice color

Sticker " AES " radiator right cover

742550

RT

Sticker " AES " radiator left cover

742551

RT

Rear sticker for right cover radiator

742552

RT

Rear sticker for left cover radiator

742553

RT

Upper sticker for right front cover

742554

RT

Upper sticker for left front cover

742555

RT

Sticker " PEUGEOT " right/left floor board

742556

RT

Sticker " SPEEDFIGHT 2 "

743590

TV

Sticker " XTEAM " for wheel

744585

RB

Sticker for right rear cover

744586

RB

Sticker for left rear cover

744587

RB

Sticker for right front cover

744588

RB

Sticker for left front cover

744589

RB

Sticker " XTEAM " front cover

744590

RB

Sticker " LIQUID COOLED "

743225

RB

Sticker " NEW SINGLE ARM "

743588

NB

Sticker " 100 "

743602

NB

DECAL SET

754246

# FIGHT NGP - NPGP

## VEHICLE COLOR

A14

GB

PB

Description of transfer

Reference

Transfer Indices color

Sticker "PROST PEUGEOT " front cover

741235

PB

Sticker " PROST PEUGEOT " for left rear cover

744603

PB

Sticker " PROST PEUGEOT " for right rear cover

744604

PB

Sticker " LION " front cover

744606

PB

" SPEEDFIGHT 2 " left/right rear cover

744607

PB

Sticker " AES "

744608

PB

Sticker " LIQUID COOLED "

744609

PB

Sticker " NEW SINGLE ARM "

743588

NB

DECAL SET

754245



# FIGHT N - NP - LND - LNDP

## VEHICLE COLOR

A15

GB

RT JF PB TV MB NK AC

Description of transfer

Reference

Transfer Indice color

Sticker " PEUGEOT " floor board

742556

ES

ES

ES

ES

ES

ES

AC

Sticker " LIQUID COOLED "

743225

AB

AB

AB

AB

AB

AB

AB

Sticker " NEW SINGLE ARM "

743588

NB

NB

NB

NB

NB

NB

NB

Sticker " LION "

743589

NB

NB

NB

NB

NB

NB

NB

Sticker " SPEEDFIGHT 2 "

743590

NB

NB

NB

TV

NB

NB

TV

DECAL SET

754178

ES

ES

ES

ES

ES

ES

DECAL SET

754247

ES

ES

ES

ES

ES

ES

DECAL SET

754740

ES

ES

ES

ES

ES

ES

N° REF. C QTY DESCRIPTION

ENGINE

A 16

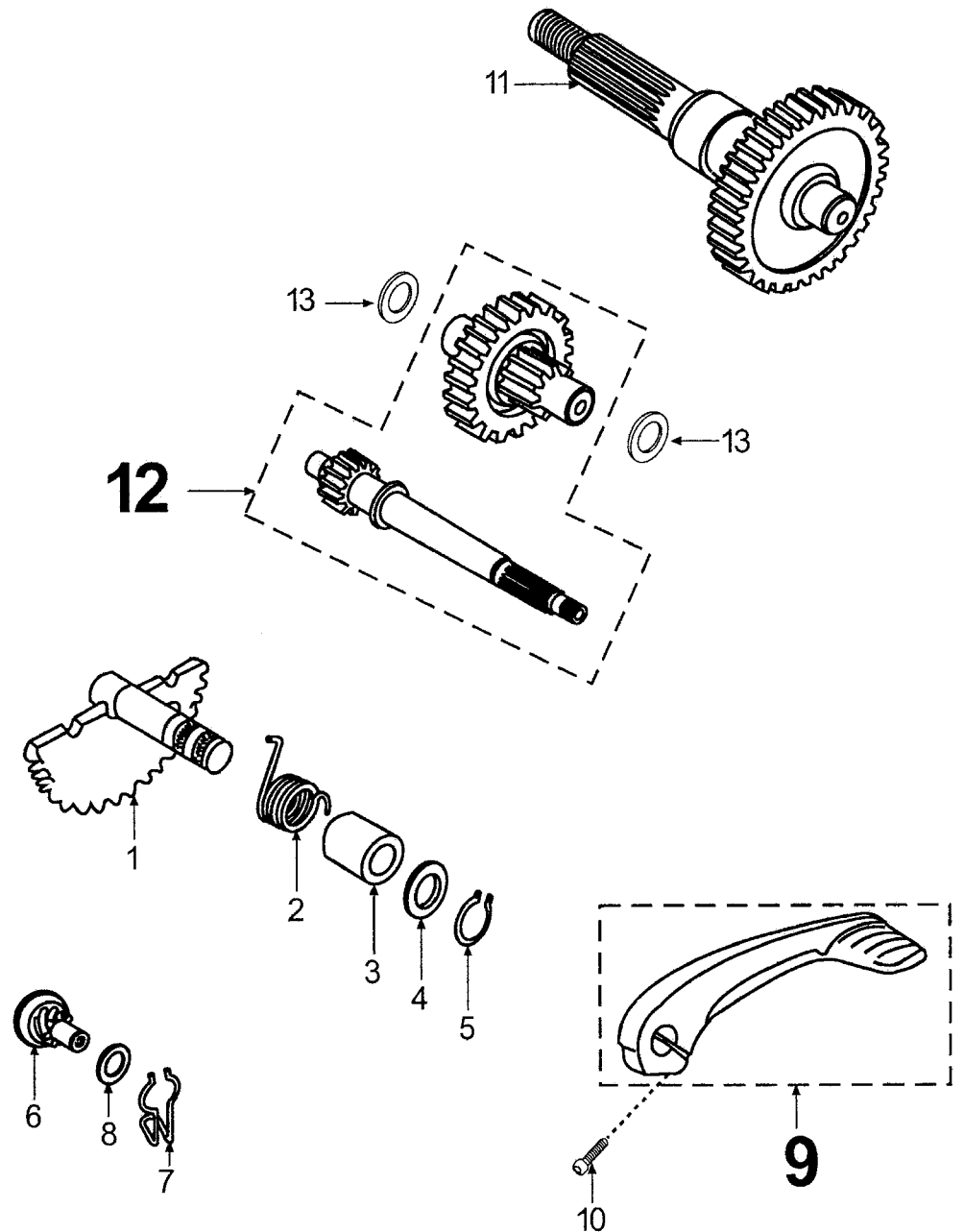
1	743625	1	ENGINE FIGHT N - XTEAM <sup>2</sup> - XRACE N
2	743812	1	ENGINE FIGHT NP - XTEAM <sup>2</sup> P
3	743813	1	ENGINE FIGHT LNDP - XTEAM <sup>2</sup> LNDP
4	743627	1	ENGINE FIGHT LND-XTEAM <sup>2</sup> LND-XRACE LN

N° REF. C QTY DESCRIPTION

GEARBOX-KICK STARTER

B 01

1	713347	1	KICK SPINDLE
2	713348	1	SPRING
3	713359	1	SPACER
4	713412	1	PLAIN WASHER 14,2-21-2
5	866214	1	EXTERNAL CIRCLIP 13-1
6	732802	1	DRIVEN GEAR
7	723421	1	FRICITION SPRING
8	724439	1	PLAIN WASHER 10,4-18-1
9	740345 *	1	KICK ARM
10	742073	1	HEAD CAP SCREW M6X1,00-25
11	734449	1	FINAL SHAFT 45 D.
12	753952	1	PRIMARY SHAFT COUNTERSHAFT
13	723459	2	PLAIN WASHER 14,3-26-0,5

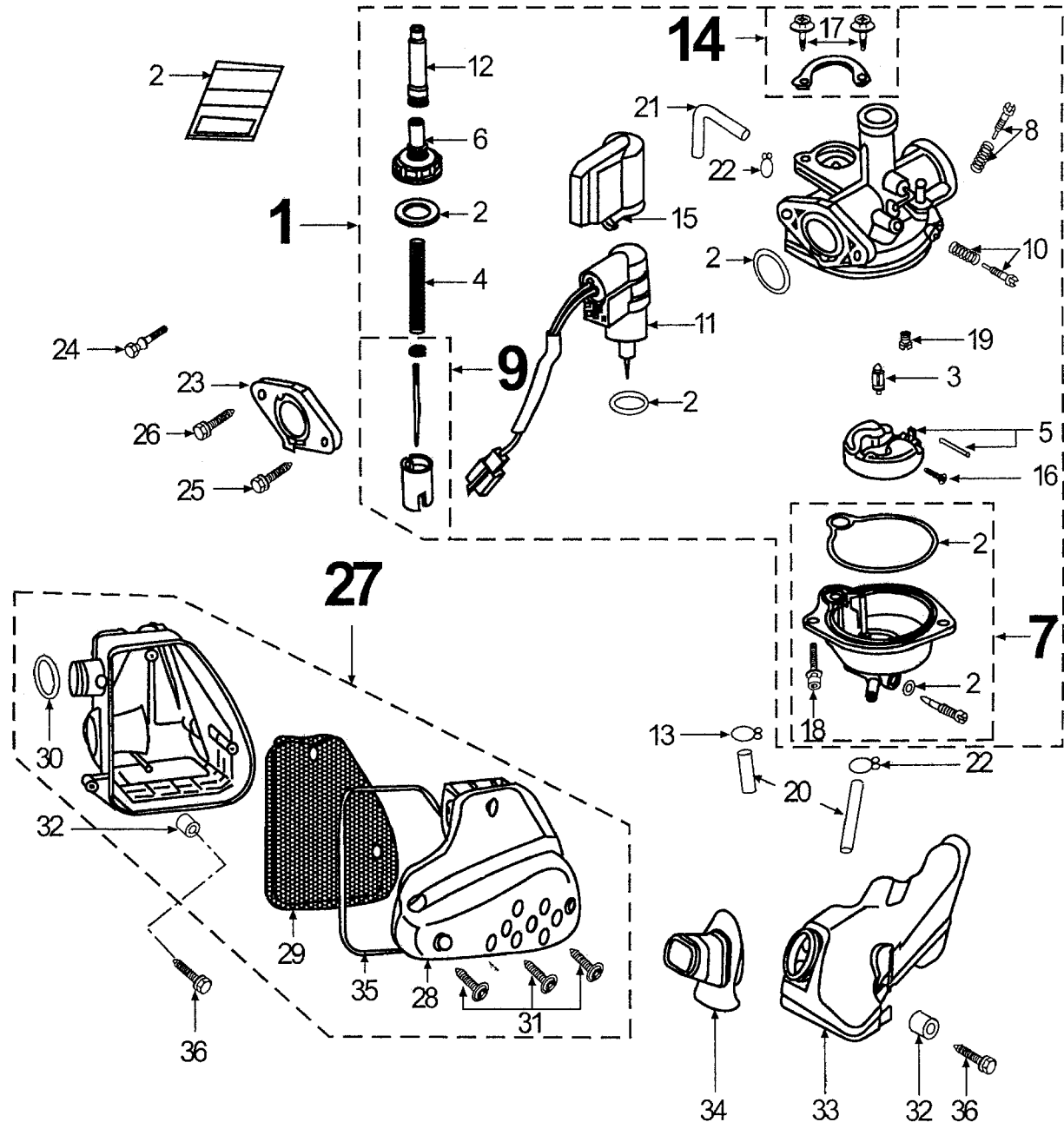


N° REF. C QTY DESCRIPTION

CARBURETOR

B 02

1	736937	1	CARBURETTOR PA 360
2	752423	1	GASKET SET
3	752417	1	FLOAT VALVE
4	752414	1	SPRING
5	752404	1	FLOAT SET
6	752412	1	TOP SET
7	752406	1	FLOAT CHAMBER SET
8	752408	1	MIXTURE ADJUSTING SCREW SET
9	752413	1	THROTTLE VALVE WITH NEEDLE
10	752407	1	STOP SCREW SET
11	752403	1	AUTOMATIC CHOKE
12	056310	1	CAP
13	752421	1	TUBE CLIP
14	752415	1	BRAKE PAD SET
15	752405	1	CAP
16	752422	1	FILLISTER CURVED HEAD
17	727859	2	FILLISTER-CURVED-WIDE HEAD 4-10
18	068150	2	FILLISTER-CURVED HEAD M4X0,70-15
19	752730	1	JET 72
20	061764	1	TUBE (PER METER)
21	752409	1	BREATHER HOSE
22	752410	2	TUBE CLIP
23	737077	1	CARBURETTOR GASKET
24	719921	1	DISMANTLED SCREW M6X1,00-28
25	706561	1	FLANGE SCREW M6X1,00-28
26	706565	1	FLANGE SCREW M6X1,00-50
27	730200	1	AIR CLEANER ASSY
28	730197	1	AIR CLEANER COVER
29	730199	1	FILTER ELEMENT
30	730201	1	O'RING SEAL 22,5X3
31	726456	3	ROUND-HEAD SCREW 4X0,70-14
32	730202	3	SPACER BUSCH
33	733614	1	DUCT AIR CLEANER CASE
34	734141	1	DUCT AIR CLEANER CASE
35	730359	1	COVER GASKET
36	730556	2	FLANGE SCREW 6X1,00-25

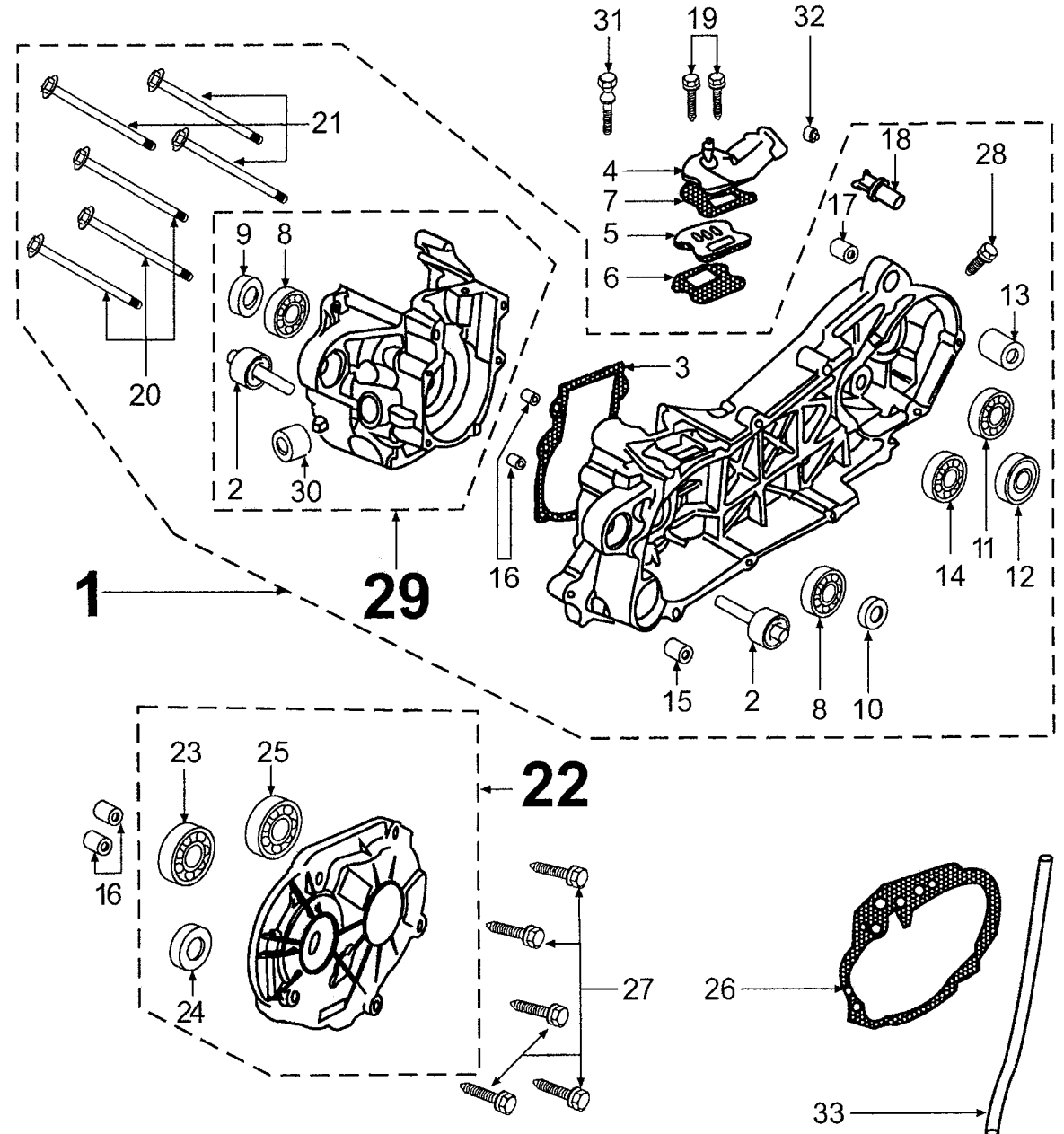


N° REF. C QTY DESCRIPTION

CRANKCASE

B 03

1	753037	1	CRANKCASE ASSY
2	732713	2	SILENTBLOCK D10XD28X20X90,5
3	737847	1	CRANKCASE GASKET
4	731567	1	INTAKE PIPE 17,25
5	743848	1	REED VALVE
6	737854	1	REED VALVE GASKET
7	737855	1	REED VALVE GASKET
8	722483	2	BALL BEARING 20-52-12
9	711824	1	OIL SEAL 15,6-25,6-7
10	720960	1	OIL SEAL 20-30-07
11	723307	1	BALL BEARING 20-42-12
12	723285	1	OIL SEAL 26-42-07
13	706574	1	SILENTBLOCK D8XD20X16X19
14	706433	1	BALL BEARING 12-32-10
15	728849	1	SHOULDER 8-12-8
16	706437	4	DOWEL PIN 10-20
17	731979	1	RING 13,7-17-20
18	730685	1	BRAKE CAM (WITHOUT THREAD)
19	706561	4	FLANGE SCREW M6X1,00-28
20	706564	3	FLANDE SCREW M6X1,00-45
21	706567	3	FLANGE SCREW HM6X1,00-70
22	729792	1	TRANSMISSION COVER ASSY
23	722669	1	BALL BEARING 15-35-11
24	719068	1	OIL SEAL 17-30-06
25	725461	1	BALL BEARING 17-40-12
26	737840	1	CRANKCASE GASKET
27	730329	5	SELF TAPING SCREW HE M6-40
28	705096	1	FLANGE SCREW M8X1,25-14
29	736411	1	RH TRANSMISSION
30	731935	1	BUSCH ROTOR
31	719921	1	DISMANTLED SCREW M6X1,00-28
32	724146	2	STOP
33	061764	1	TUBE (PER METER)



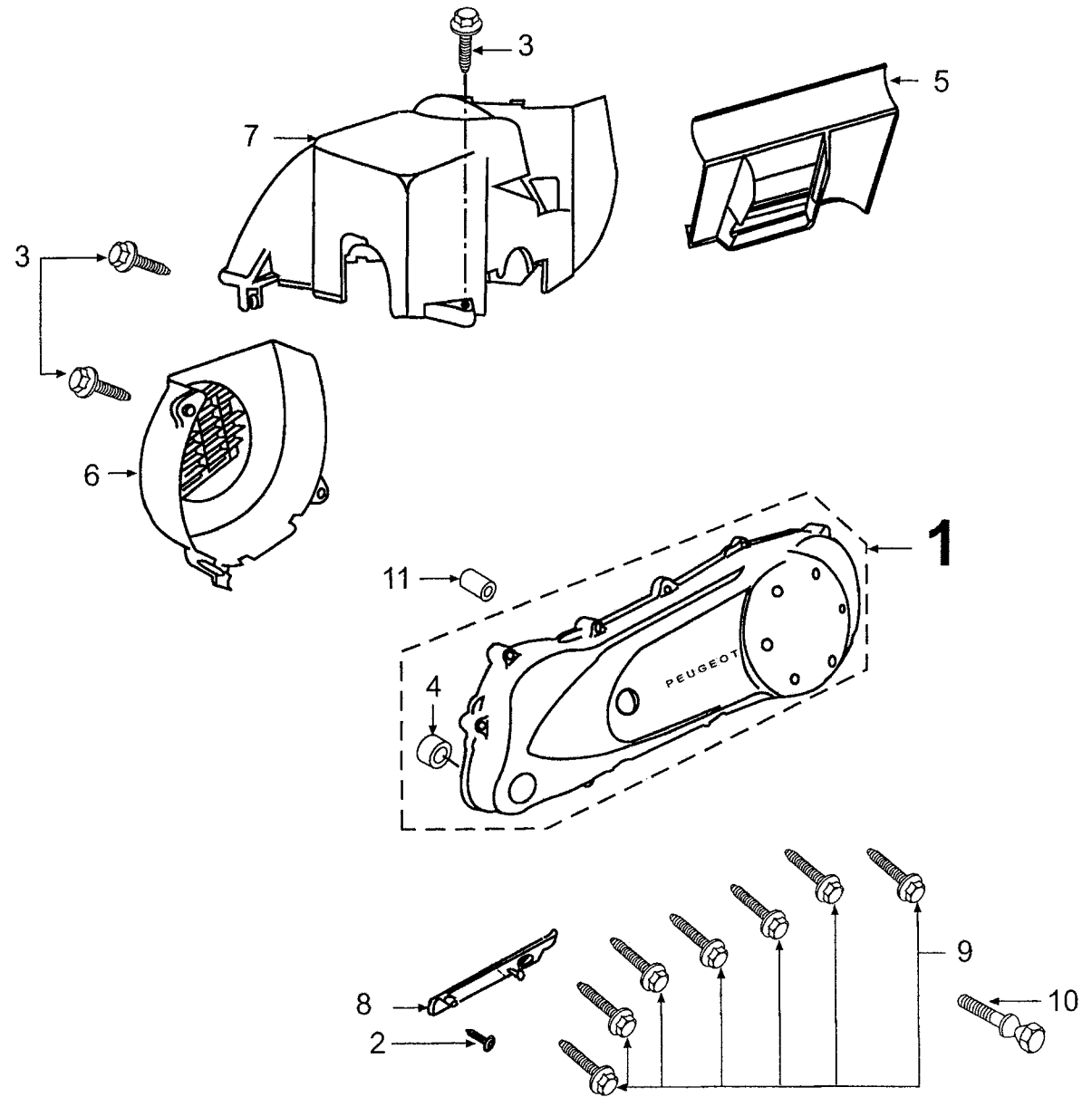


N° REF. C QTY DESCRIPTION

HOUSING COVER

B 05

1	739050 *	1	TRANSMISSION COVER ASSY
2	727562	1	FILLISTER-CURVED-WIDE HEAD 6-12
3	730556	4	FLANGE SCREW 6X1,00-25
4	728849	1	SHOULDER 8-12-8
5	734256	1	DEFLECTOR
6	734067	1	FAN COVER
7	734068	1	TIRE-CYLINDER
8	731161	1	CABLE GUIDE BRACKET
9	730329	7	SELF TAPING SCREW HE M6-40
10	727825	1	DISMANTLED SCREW M6X1,00-35
11	706437	1	DOWEL PIN 10-20

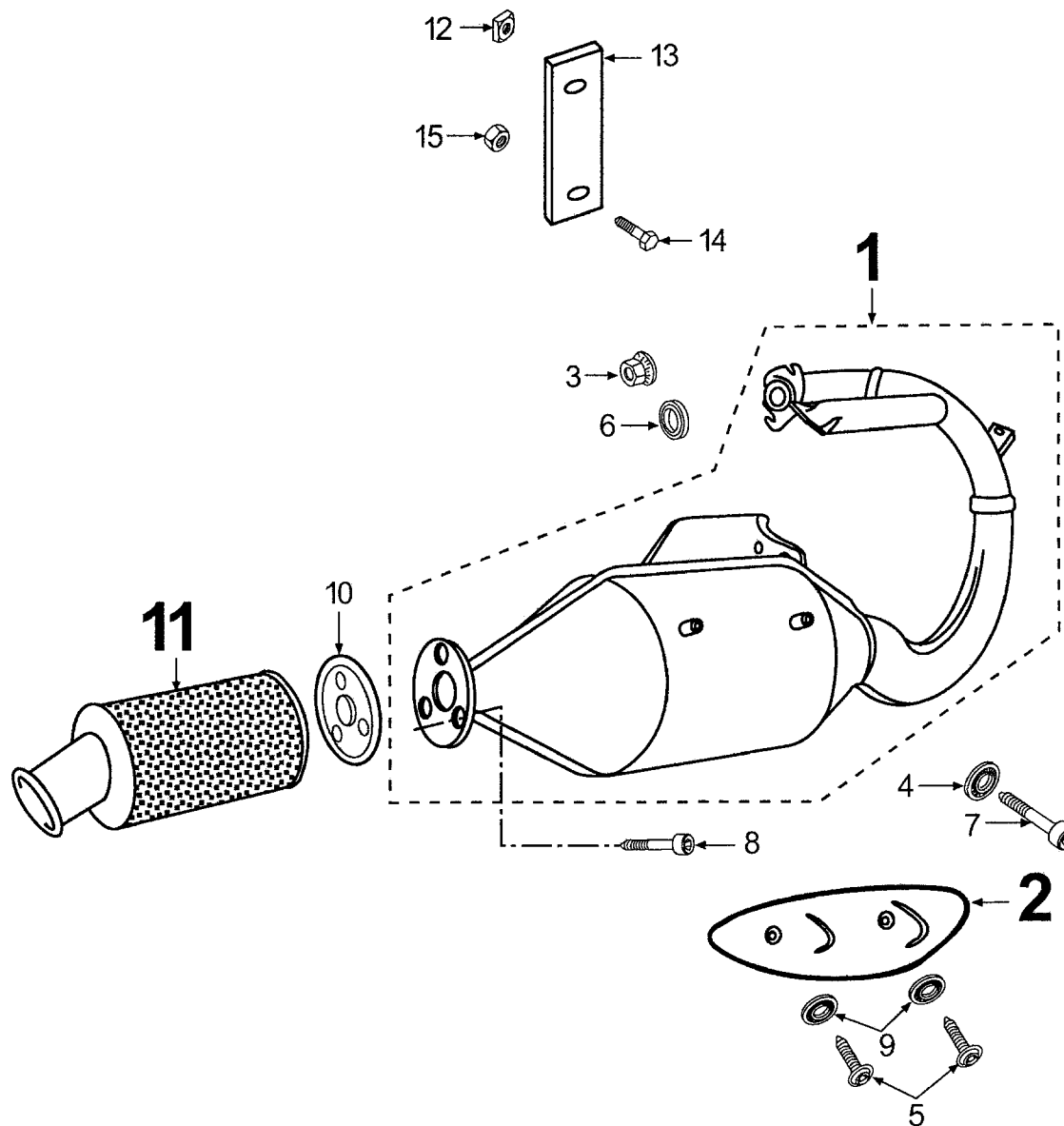


N° REF. C QTY DESCRIPTION

EXHAUST SYSTEM

B 06

1	735167	1	MUFFLER
2	739412	1	MUFFLER GRILL (INOX)
3	712881	2	NUT WITH WASHER M6X1,00
4	725083	4	CONICAL WASHER 8,4-16-1,4
5	726440	2	ROUND-HEAD SCREW M5X0,80-8
6	743002	1	PIPE GASKET
7	740757	2	HEAD CAP SCREW M8X1,25-30
8	809002	3	HEAD CAP SCREW M6X1,00-20
9	725082	2	CONICAL WASHER
10	744413	1	GASKET
11	737132 *	1	HUB CAP
12	734214	1	SQUARE NUT QM8X1,25
13	736706	1	PLATE
14	710295	1	HEXAGON SCREW M5X0,80-20
15	710372	1	HEXAGON NUT M8X1,25

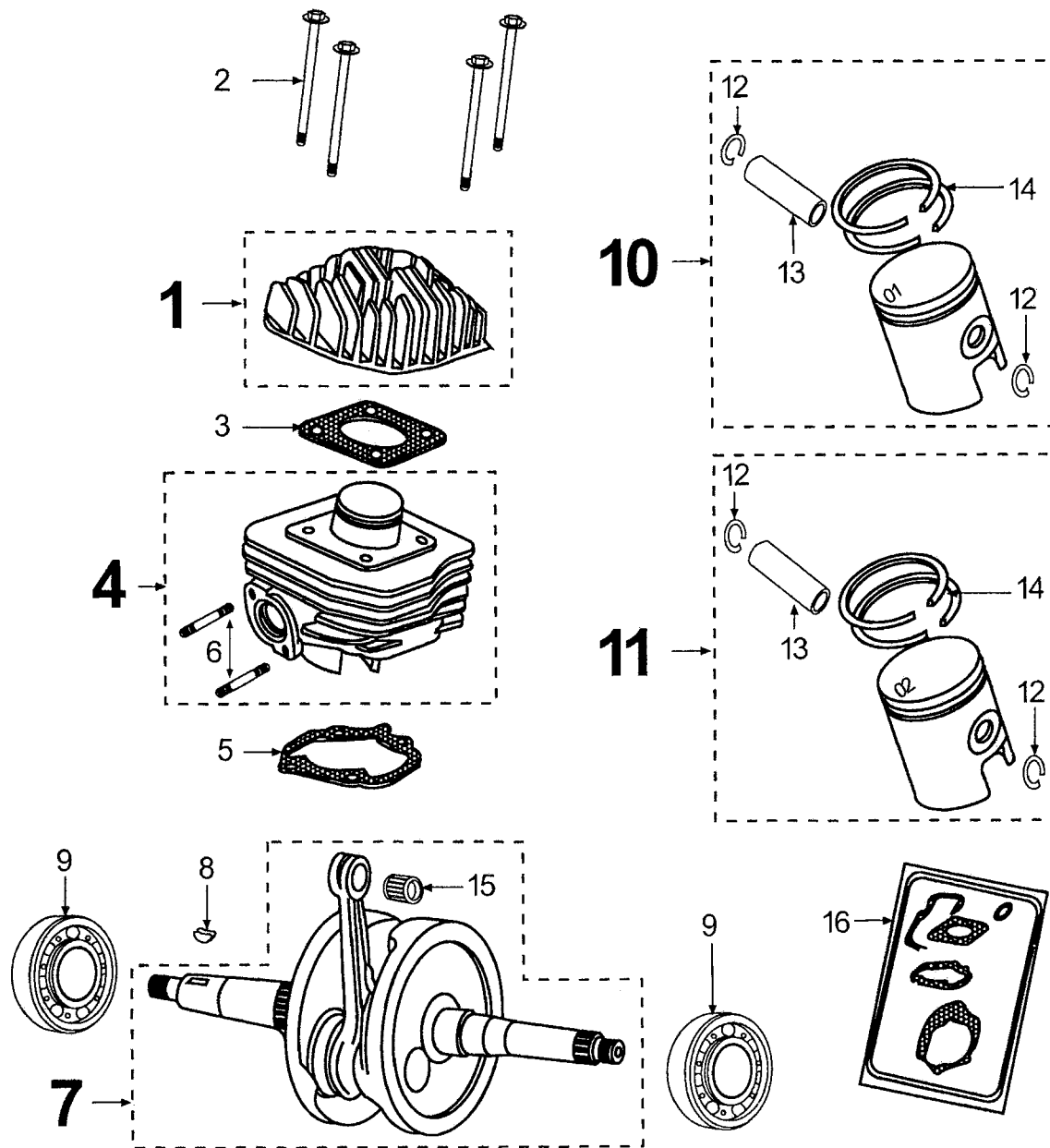


N° REF. C QTY DESCRIPTION

1	722890	1	CYLINDER HEAD ASSY
2	731428	4	SCREW WASHER
3	723392	1	CYLINDER HEAD GASKET
4	752520	1	CYLINDER/PISTON
5	737843	1	CYLINDER GASKET HEAD
6	723488	2	STUD M6X1,00-18/15
7	733487	1	CRANKSHAFT
8	711556	1	WOODRUFF KEY
9	722483	2	BALL BEARING 20-52-12
10	752230	1	PISTON ASSY (MARK 1;01;A1)
11	752231	1	PISTON ASSY (MARK 2;02;A2)
12	711998	2	SNAP RING
13	723397	1	PISTON PIN L=31
14	723396	2	PISTON RING SET
15	723493	1	NEEDLE BEARING CAGE 12-15-15
16	753148	1	GASKET SET

CRANKSHAFT CYLINDER

B 07

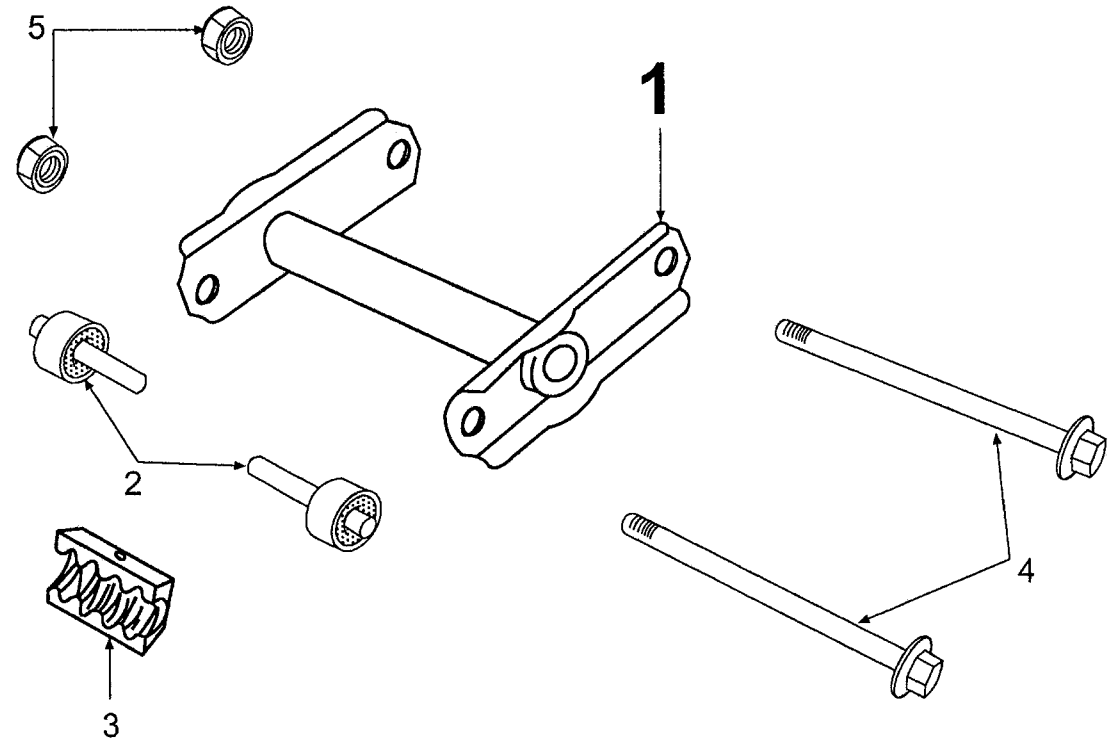


N° REF. C QTY DESCRIPTION

ENGINE BRACKET

B 08

1	733969	1	CONROD
2	732713	2	SILENTBLOCK D10XD28X20X90,5
3	734353	1	RUFFER STOP
4	723261	2	HEXAGON SCREW M10X1,50-207
5	834012	2	FLANGE NUT M10X1,50

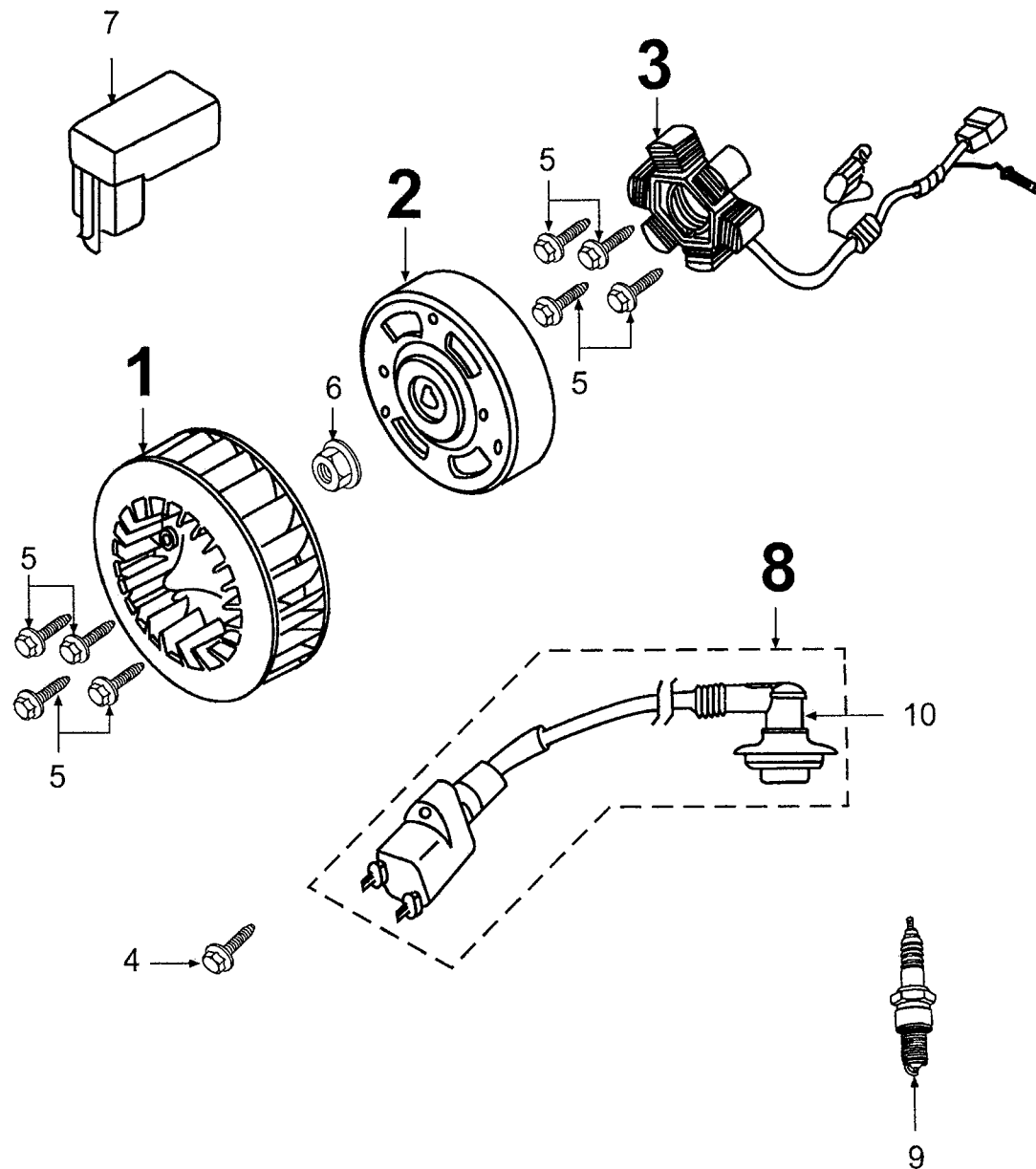


N° REF. C QTY DESCRIPTION

1	728802	1	VENTILATING FAN
2	724163	1	ROTOR
3	729957	1	STATOR ASSY
4	723695	1	FLANGE SCREW M5X0,80-20
5	723279	8	FLANGE SCREW M6X1,00-18
6	728042	1	FLANGE NUT M 10X1,25
7	740220	1	CDI UNIT BLACK
8	738724	1	OUTER COIL WITH WIRE
9	736954	1	SPARK PLUG NGK BR 7 HS
10	738660	1	WATERPROOF SUPPRESSOR (NGK)

FLYWHEEL MAGNETO

B 10

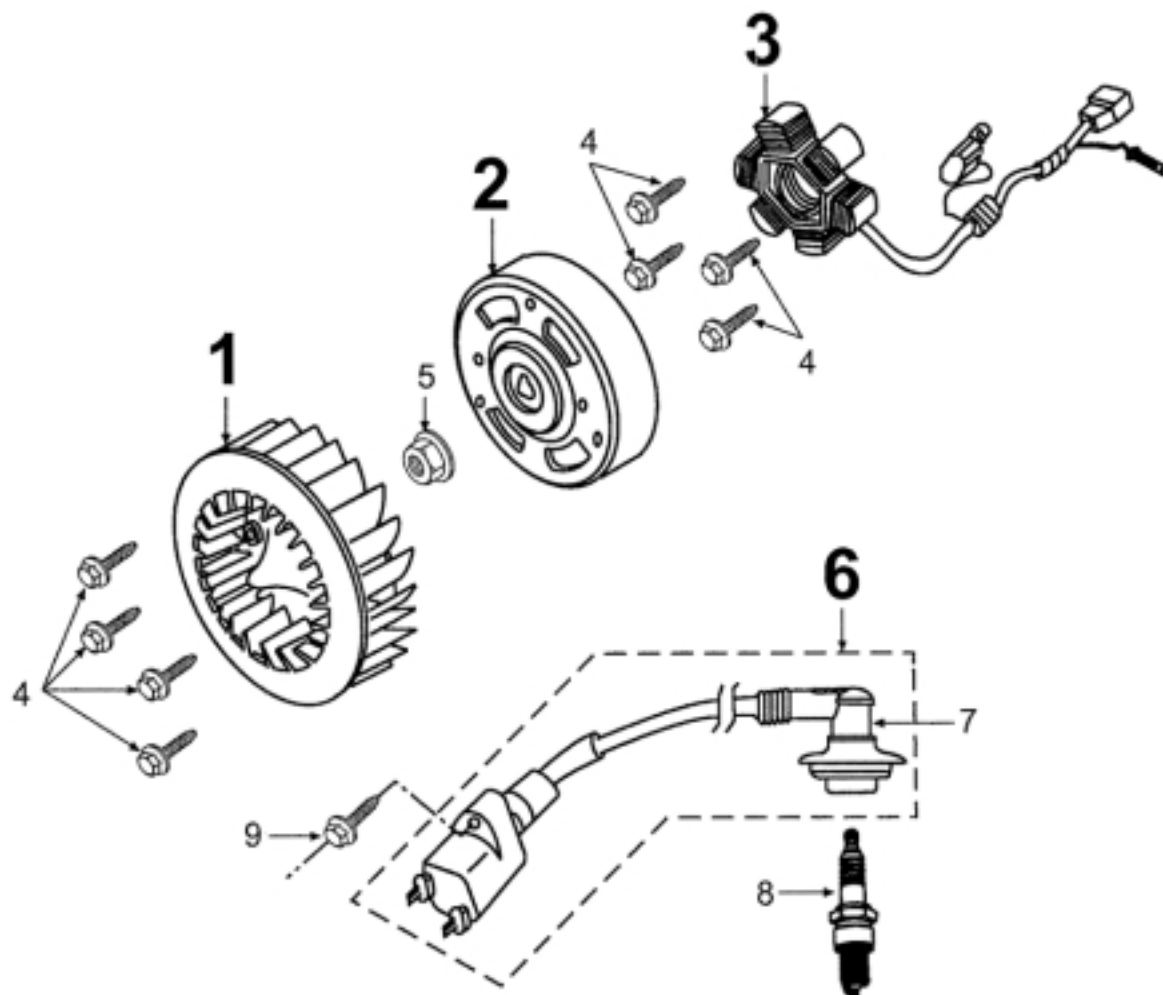


N° REF. C QTY DESCRIPTION

1	728802	1	VENTILATING FAN
2	740928	1	ROTOR
3	740929	1	STATOR ASSY
4	723279	8	FLANGE SCREW M6X1,00-18
5	728042	1	FLANGE NUT M 10X1,25
6	738724	1	OUTER COIL WITH WIRE
7	738660	1	WATERPROOF SUPPRESSOR (NGK)
8	736954	1	SPARK PLUG NGK BR 7 HS
9	723695	1	FLANGE SCREW M5X0,80-20

FLYWHEEL MAGNETO

B 11

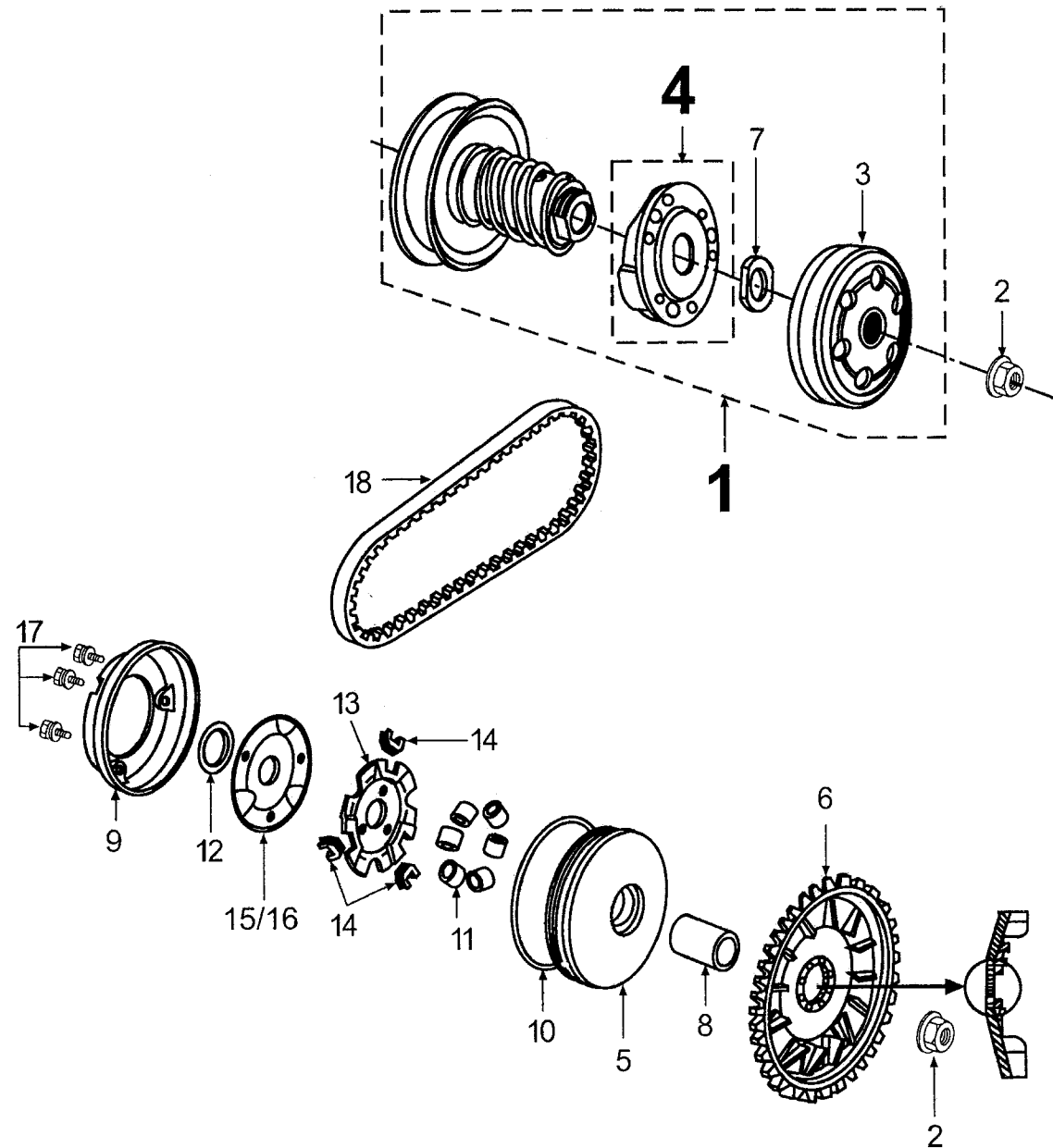


N° REF. C QTY DESCRIPTION

1	732775	1	DRIVEN PULLEY ASSY
2	728042	2	FLANGE NUT M 10X1,25
3	732774	1	OUTER CLUTCH
4	752805	1	CLUTCH ASSY
5	732594	1	MOVABLE DRIVE FACE
6	732801	1	KICK DRIVEN GEAR (FLUTED FLASK)
7	706516	1	SPECIAL NUT 28
8	723587	1	DRIVE FACE BOSS L=38MM
9	732742	1	SHROUD
10	732743	1	O'RING SEAL 81X1,5
11	732693	6	WEIGHT ROLLER D=7,5
12	737714	1	PLAIN WASHER 12,1X22-1
13	730358	1	RAMP
14	723584	3	RAMP GUIDE
15	737838	1	STOPPER "7,2"
16	734439	1	STOPPER 6,2
17	721009	3	HEXAGON SCREW M4X0,7-12
18	729171	1	V.BELT 18X8

OUTER CLUTCH Ø114 (6 HOLE)

B 12

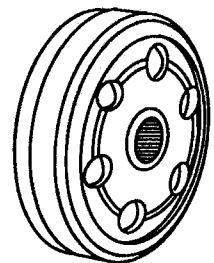


N° REF. C QTY DESCRIPTION

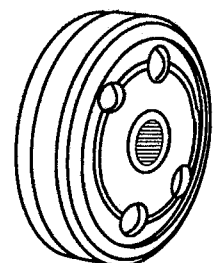
TRANSMISSION

B 13

1 B12 OUTER CLUTCH  $\phi$ 114 (6 HOLE)  
2 B14 OUTER CLUTCH  $\phi$ 114 (4 HOLE)



"ADLER"



"GOLDENBEE"

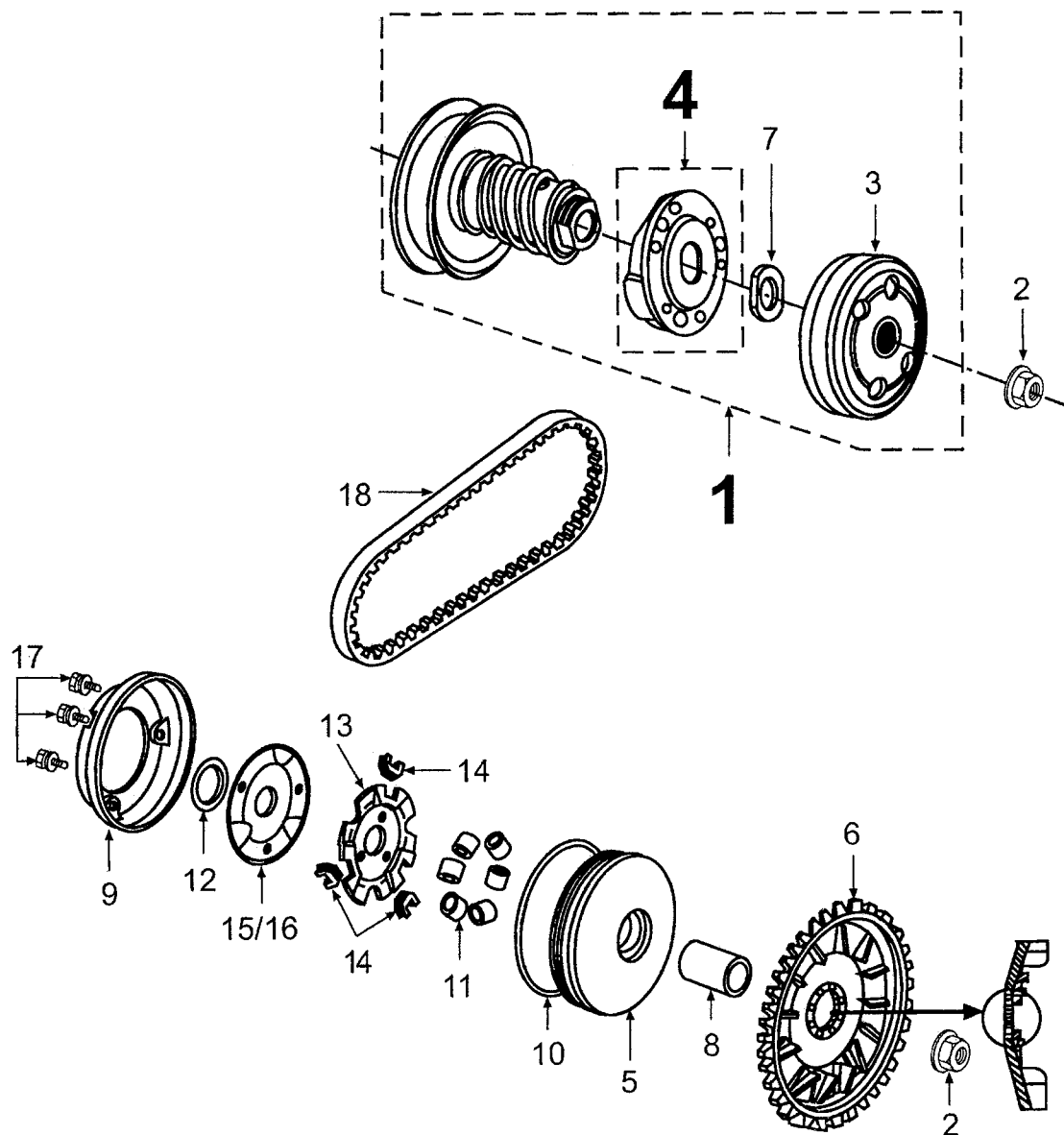


N° REF. C QTY DESCRIPTION

OUTER CLUTCH Ø114 (4 HOLE)

B 14

1	737813	1	DRIVEN PULLEY ASSY
2	728042	2	FLANGE NUT M 10X1,25
3	752804	1	OUTER CLUTCH
4	752802	1	CLUTCH ASSY
5	732594	1	MOVABLE DRIVE FACE
6	732801	1	KICK DRIVEN GEAR (FLUTED FLASK)
7	706516	1	SPECIAL NUT 28
8	723587	1	DRIVE FACE BOSS L=38MM
9	732742	1	SHROUD
10	732743	1	O-RING SEAL 81X1,5
11	732693	6	WEIGHT ROLLER D=7,5
12	737714	1	PLAIN WASHER 12,1X22-1
13	730358	1	RAMP
14	723584	3	RAMP GUIDE
15	737838	1	STOPPER "7,2"
16	734439	1	STOPPER 6,2
17	721009	3	HEXAGON SCREW M4X0,7-12
18	729171	1	V.BELT 18X8

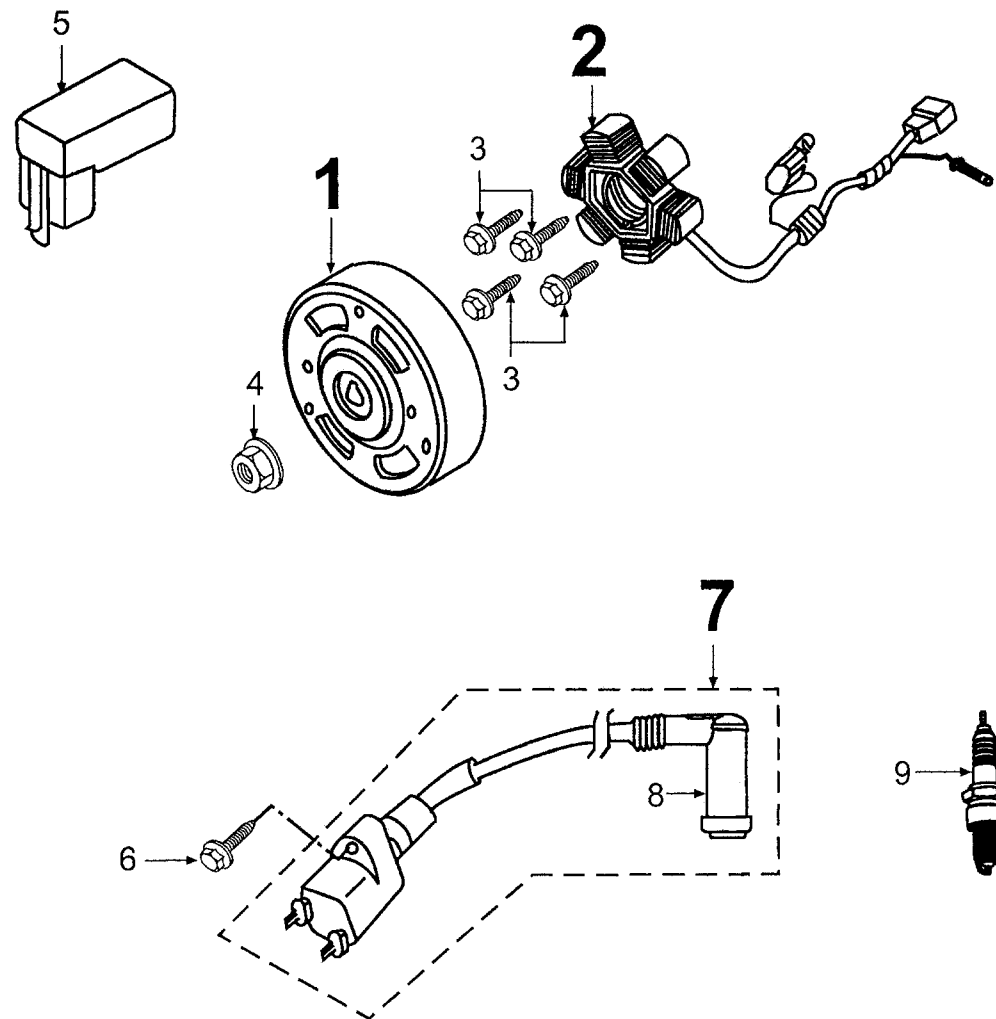


N° REF. C QTY DESCRIPTION

FLYWHEEL MAGNETO

B 15

1	724163	1	ROTOR
2	729957	1	STATOR ASSY
3	723279	4	FLANGE SCREW M6X1,00-18
4	728042	1	FLANGE NUT M 10X1,25
5	740220	1	CDI UNIT BLACK
6	723695	1	FLANGE SCREW M5X0,80-20
7	736982	1	OUTER COIL WITH WIRE
8	736952	1	WATERPROOF SUPPRESSOR (NGK)
9	736954	1	SPARK PLUG NGK BR 7 HS

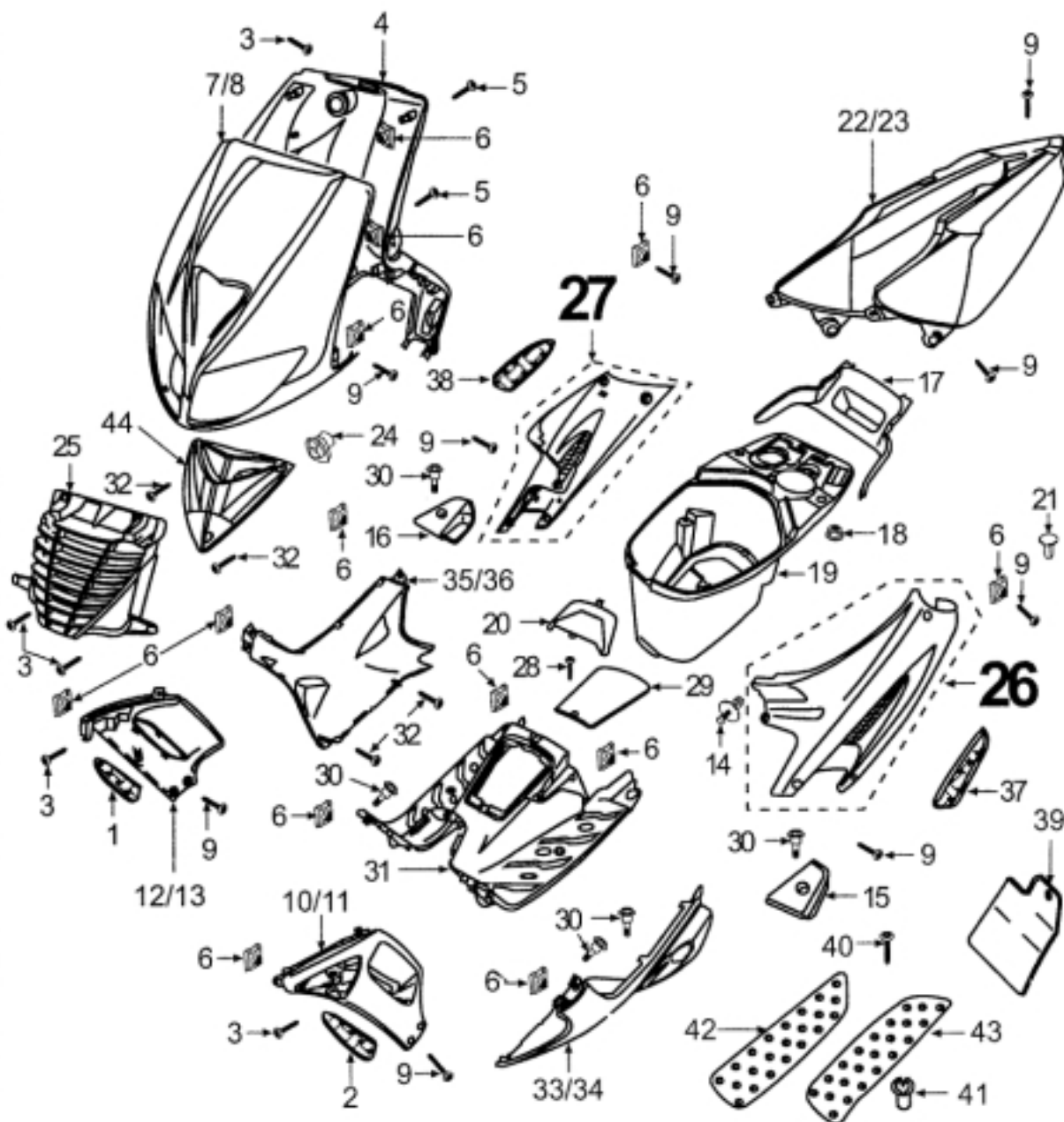


N° REF. C QTY DESCRIPTION

FAIRING-BOX

C 01

1	736300 *	1	RH. PROTECTING GRILLE
2	736301 *	1	LF. PROTECTING GRILLE
3	726456	4	ROUND-HEAD SCREW 4X0,70-14
4	734268 *	1	INNER COVER
5	727923	4	ROUND-HEAD SCREW 5X0,80-35
6	734241	16	CLIP NUT 5X0,80
7	742808 *	1	FRONT COVER (PAINTED)
8	744641 *	1	FRONT COVER (MASS TINTED)
9	743607	22	FLANGE SCREW RLXS M5X0,80-4,7
10	734270 *	1	LH RADIATOR AIR SCOOP (PAINTED)
11	734667 *	1	LH RADIATOR AIR SCOOP (MASS TINTED)
12	734271 *	1	RH RADIATOR AIR SCOOP (PAINTED)
13	734668 *	1	RH RADIATOR AIR SCOOP (MASS TINTED)
14	720777	1	PLASTIC RIVET
15	734652 *	1	LH. CAP FOOT REST
16	734653 *	1	RH. CAP FOOT REST
17	736039	1	BOX
18	837013	4	FLANGE NUT M6X1,00
19	734925	1	INNER BOX
20	734198	1	SPARK PLUG COVER
21	730606	2	RIVET 3,2-8
22	744193 *	1	REAR COVER (PAINTED)
23	744791 *	1	REAR COVER (MASS TINTED)
24	739334	3	FIBBER NUT
25	742871 *	1	PROTECTING GRILLE
26	737662 *	1	LH SIDE PANEL (MASS TINTED)
27	737661 *	1	RH SIDE PANEL (MASS TINTED)
28	726207	1	ROUND-HEAD SCREW M5X0,80-14
29	734287 *	1	CAP NUT
30	742719	6	SHOULDER SCREW M6X1,00-14
31	734277 *	1	FLOOR PANEL
32	726457	5	FILLISTER-CURVED-WIDE HEAD 4-14
33	734275 *	1	LH FLOOR BOARD (PAINTED)
34	734671 *	1	LH FLOOR BOARD (MASS TINTED)
35	734276 *	1	RH FLOOR BOARD (PAINTED)
36	734672 *	1	RH FLOOR BOARD (MASS TINTED)
37	736037 *	1	LF. PROTECTING GRILLE
38	736038 *	1	RH. PROTECTING GRILLE
39	740131	1	HEAT PROTECTION



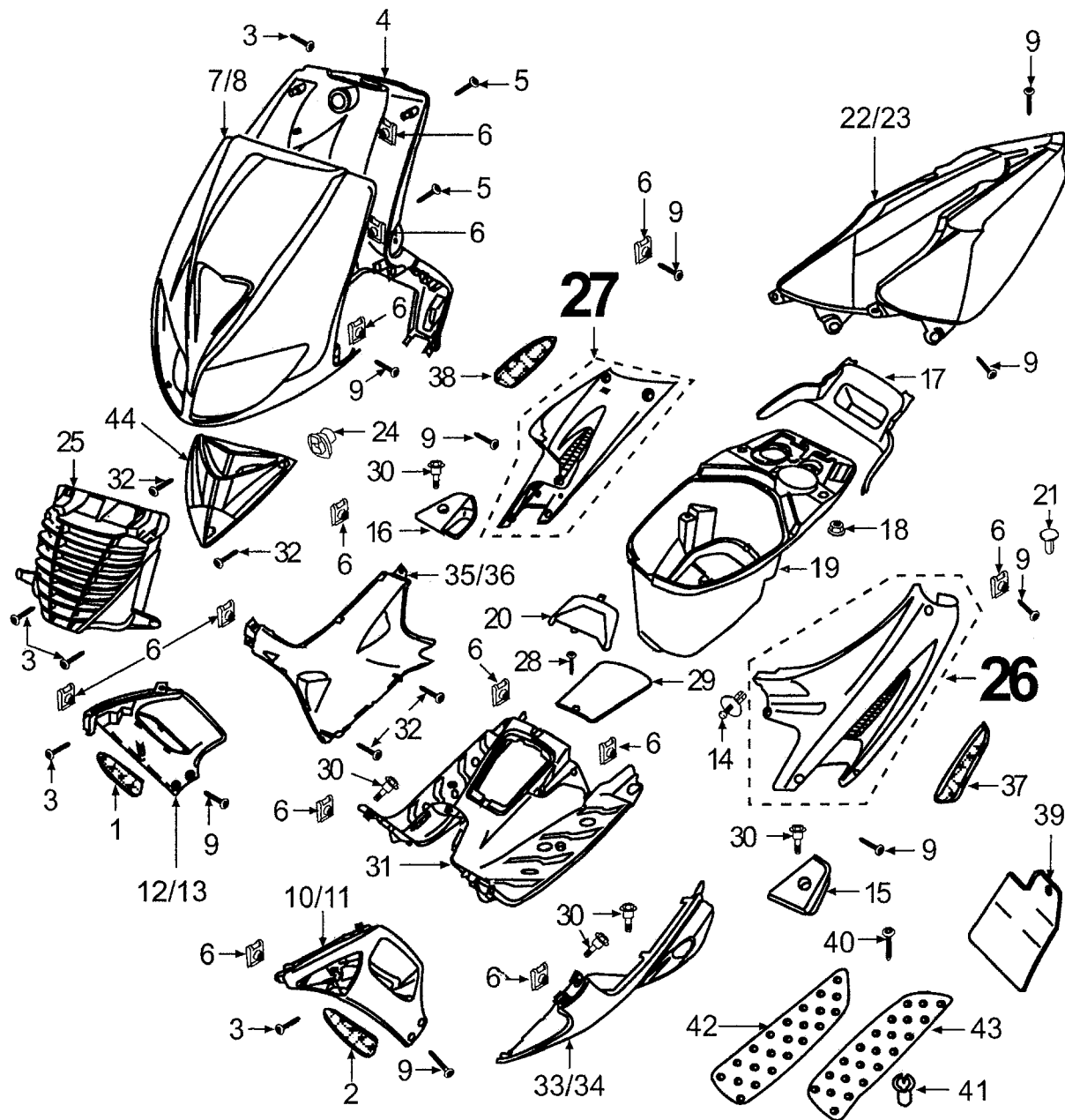
SEE NEXT PAGE C02

N° REF. C QTY DESCRIPTION

40	728544	6	ROUND-HEAD SCREW 5X0,80-20
41	741049	6	CLIP NUT M5X0,80-12
42	741051	1	RH EMBELLISHER
43	741052	1	LH EMBELLISHER
44	742816 *	1	SPARK PLUG COVER (PAINTED)

FAIRING-BOX

C 02

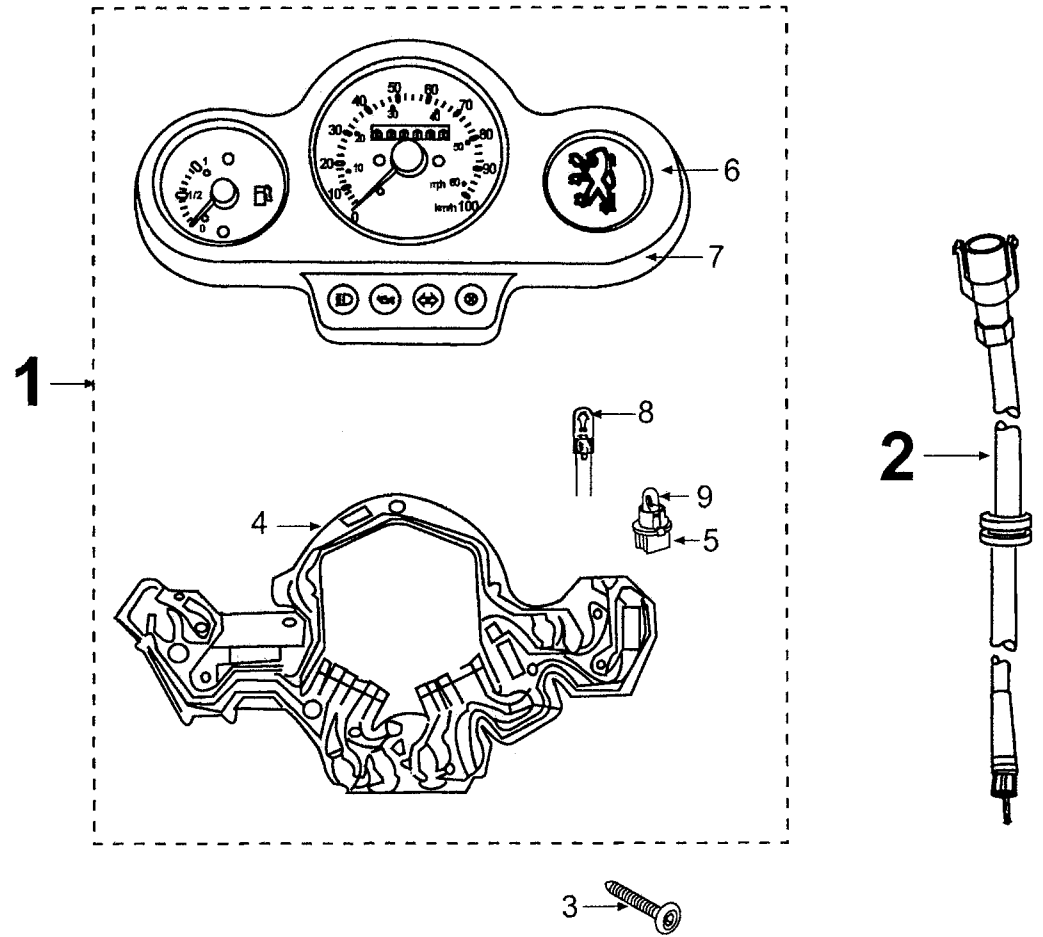


N° REF. C QTY DESCRIPTION

1	743883	1	SPEEDOMETER
2	736610	1	SPEEDOMETER CABLE
3	726479	4	ROUND-HEAD SCREW SP4-10
4	753062	1	PRINTED CIRCUIT
5	752110	6	BULB HOLDER
6	753064	1	LENS
7	753063	1	STRIP
8	753065	1	LED
9	750553	6	WHITE BULB 12 V-1,2 W

SPEEDOMETER

C 03

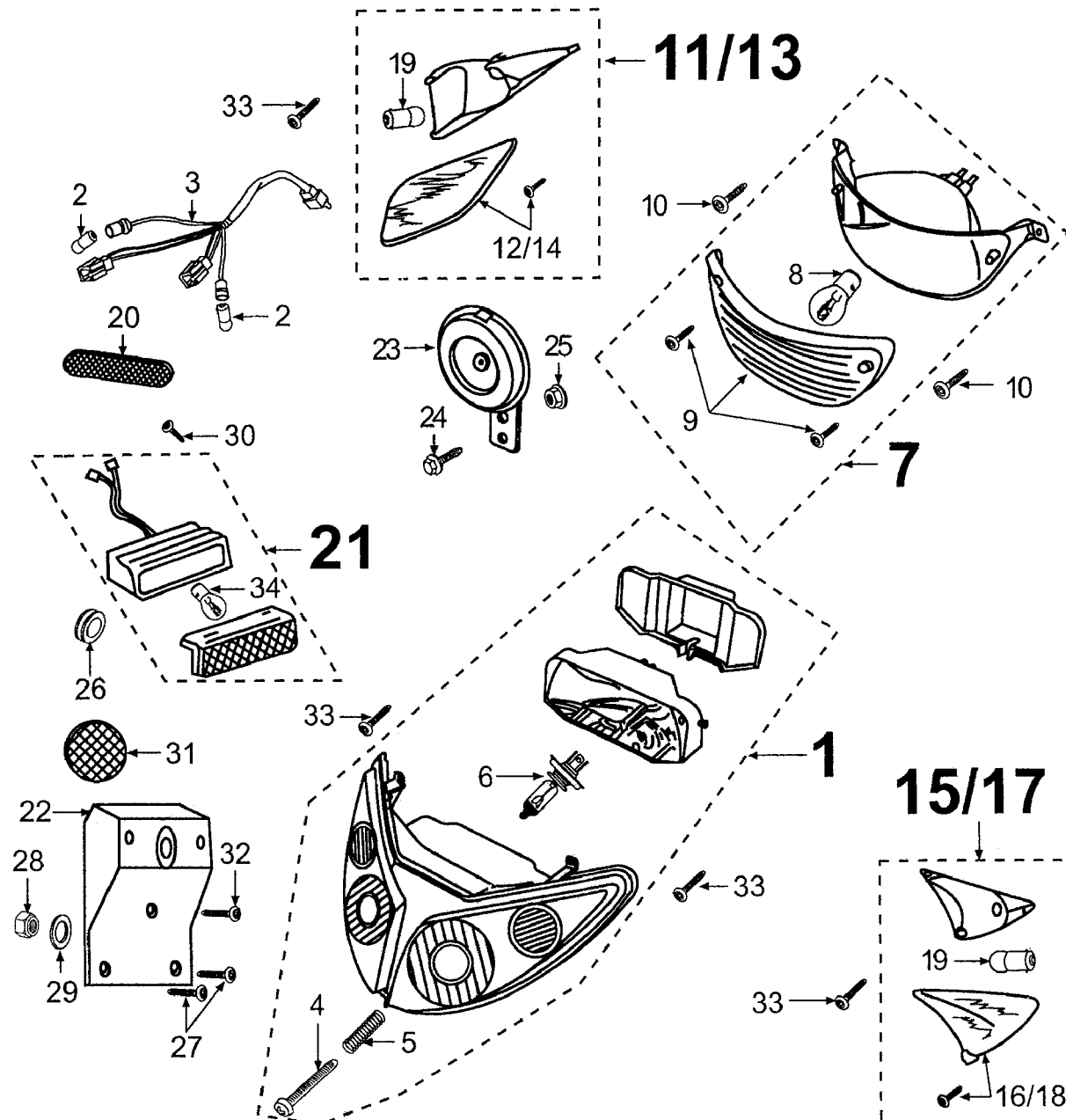


N° REF. C QTY DESCRIPTION

LIGHT SIGNAL-HORN

C 04

1	742749 *	1	HEADLIGHT ASSY
2	754183	2	WHITE 5W
3	754182	1	HARNASS
4	753032	1	ADJUSTING SCREW
5	753033	1	SPRING
6	754184	2	WHITE BULB HSI
7	742802	1	TAILLIGHT ASSY
8	711431	1	WHITE BULB 12V-5/21W BAY 15D
9	754181	1	TAILLIGHT LENS WITH SCREW
10	728540	2	ROUND-HEAD SCREW RLXS 4-20
11	743094	1	RH. REAR BLINKER
12	754192	1	RH REAR LENS WITH SCREW
13	743095	1	LF REAR BLINKER
14	754193	1	LH REAR LENS WITH SCREW
15	743096	1	RH. FRONT BLINKER
16	754194	1	RH. FRONT LENS WITH SCREW
17	743097	1	LH. FRONT BLINKER
18	754195	1	LH. FRONT LENS WITH SCREW
19	700778	4	WHITE BULB 12V-10W BA 15S
20	738920	1	CLIPPED REFLECTOR
21	737893	1	LICENCE-PLATE ILLUMINATION
22	736701	1	HOLDER BRACKET
23	734847	1	HORN
24	704937	1	FLANGE SCREW M6X1,00-12
25	837013	1	FLANGE NUT M6X1,00
26	873123	2	GROMMET 11-8
27	726207	3	ROUND-HEAD SCREW M5X0,80-14
28	834007	3	LOCKNUT M5X0,80
29	853101	3	PLAIN WASHER 5-10-1
30	728541	2	SHEET METAL SCREW 4-30
31	738919	2	CLIPPED REFLECTOR
32	727923	1	ROUND-HEAD SCREW 5X0,80-35
33	726456	8	ROUND-HEAD SCREW 4X0,70-14
34	753211	1	WHITE BULB 5W

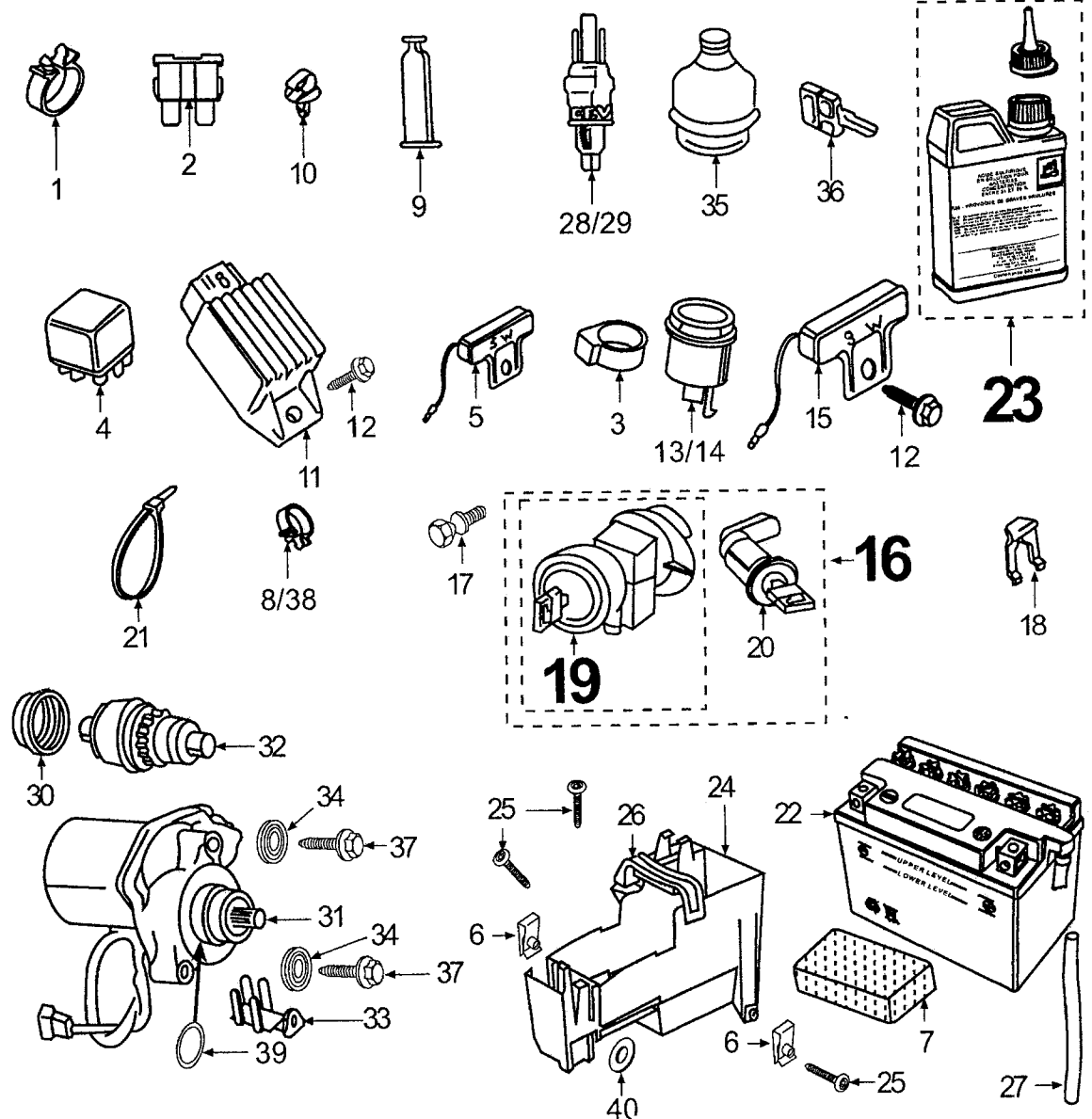


N° REF. C QTY DESCRIPTION

ELECTRIC EQUIPMENT

C 05

1	061950	2	CLIP
2	736693	1	FUSE (5 AMPERES)
3	736585	1	COLLAR
4	738903	1	STARTER RELAY
5	724152	1	RESISTOR 5W-6,7 OHMS
6	734241	3	CLIP NUT 5X0,80
7	735394	1	BLOCK
8	714339	1	CLIP
9	056310	2	CAP
10	728276	1	CLIP
11	735871	1	REGULATOR
12	704937	2	FLANGE SCREW M6X1,00-12
13	739756	1	BLINKER UNIT WITHOUT RINGING
14	730600	1	BLINKER UNIT WITH RINGING
15	724153	1	RESISTOR 30W-5,90 OHMS
16	739576	1	STEERING LOCK
17	745787	1	SELF BREAKING NUT M8
18	724767	1	LOCK SETTING SPRING
19	752928	1	STEERING LOCK
20	753677	1	SADDLE LOCK + KEY
21	885010	5	PLASTIC COLLAR 3,6 L=208
22	700096	1	BATTERY 12V-4A
23	739733	1	ELECTROLYTE 50 CL
24	734114	1	BATTERY BRACKET
25	726207	4	ROUND-HEAD SCREW M5X0,80-14
26	734115	1	CLAMP
27	061764	1	TUBE (PER METER)
28	063357	2	STOP-LIGHT SWITCH (ALLIAGE)
29	743154	2	STOP-LIGHT SWITCH (NYLON)
30	735843	1	SLEEVE
31	744049	1	STARTER MOTOR SM10
32	735111	1	SPROCKET SM10216
33	731742	1	HARNESS CLAMP
34	858051	2	SPRING WASHER 6-12-1.2
35	734191	1	CAP
36	752217	1	BLANK KEY
37	706559	2	FLANGE SCREW M6X1,00-20
38	744124	1	CLIP
39	754264	1	O'RING SEAL 2,4-19,3



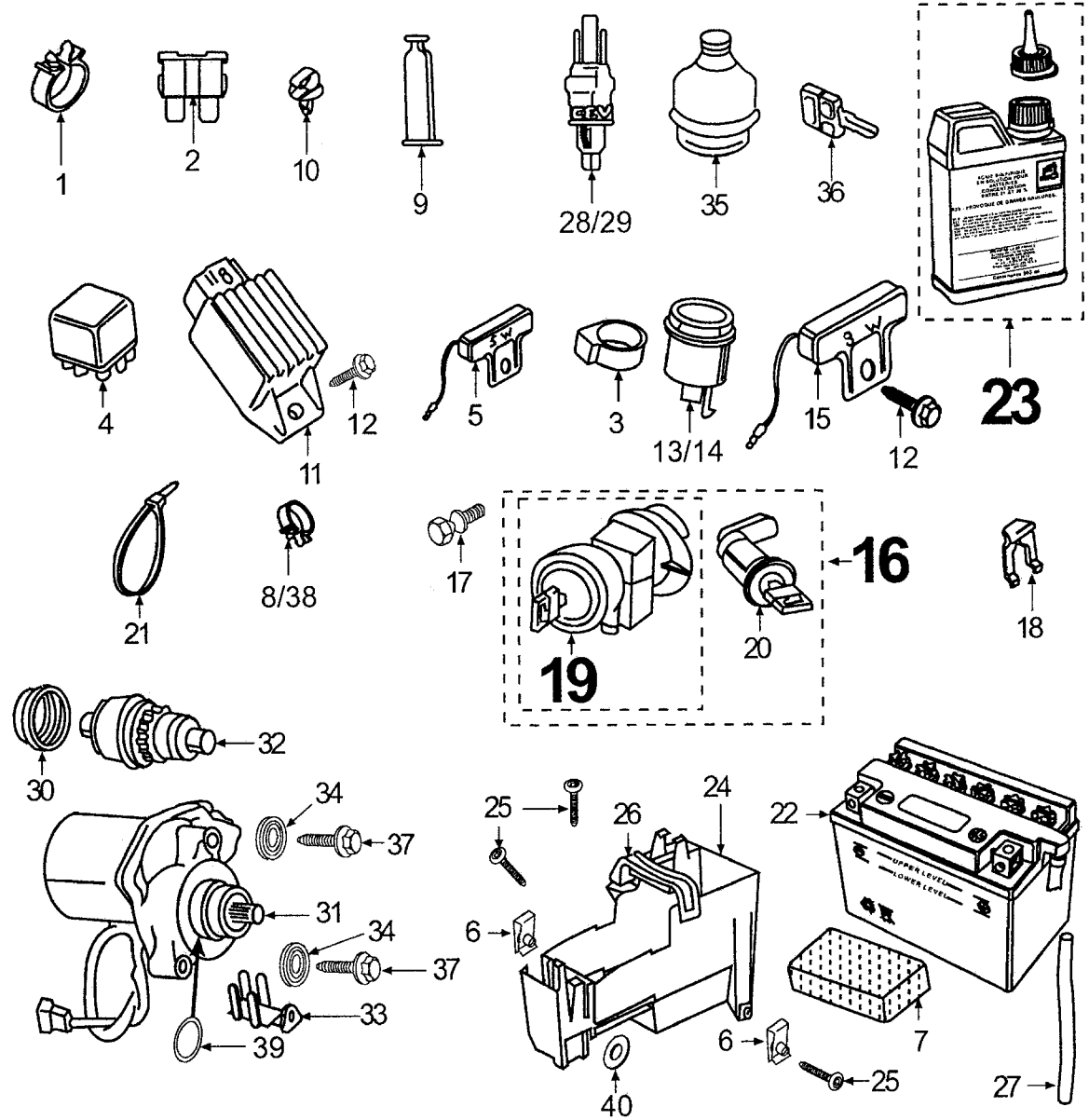
SEE NEXT PAGE C06

N° REF. C QTY DESCRIPTION

ELECTRIC EQUIPMENT

C 06

40 853466 1 PLAIN WASHER 5.25-14-1.5



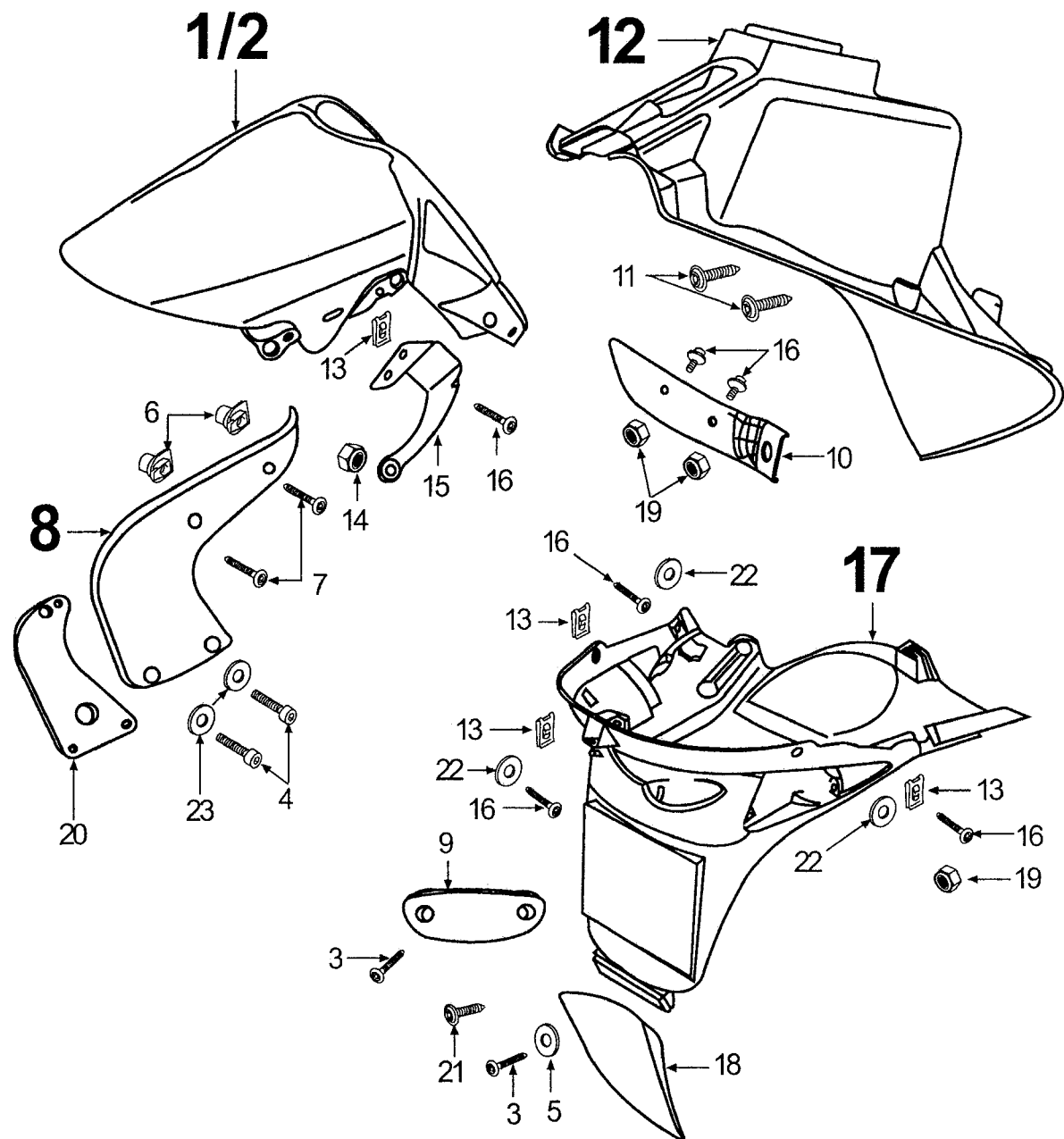


N° REF. C QTY DESCRIPTION

1	734273 *	1	FRONT FENDER (PAINTED)
2	734669 *	1	FRONT FENDER (MASS TINTED)
3	728544	4	ROUND-HEAD SCREW 5X0,80-20
4	717855	2	HEAD CAP SCREW M5X0,80-20
5	853101	3	PLAIN WASHER 5-10-1
6	739334	2	FIBBER NUT
7	728540	2	ROUND-HEAD SCREW RLXS 4-20
8	734274 *	1	FENDER HOLDER
9	734213 *	1	DUST PROTECTION
10	741148	1	RH BRACKET
11	726456	4	ROUND-HEAD SCREW 4X0,70-14
12	736315	1	MUDFLAP
13	734241	4	CLIP NUT 5X0,80
14	736932	1	NUT M8X1,25
15	736935 *	1	LH BRACKET
16	726207	7	ROUND-HEAD SCREW M5X0,80-14
17	734281 *	1	REAR FENDER
18	736883	1	MUDFLAP
19	834007	5	LOCKNUT M5X0.80
20	737748	1	REINFORCEMENT
21	724521	1	FLAT-HEAD SCREW
22	853096	4	PLAIN WASHER 6-18-1.2
23	853466	2	PLAIN WASHER 5.25-14-1.5

MUDGUARD

C 07

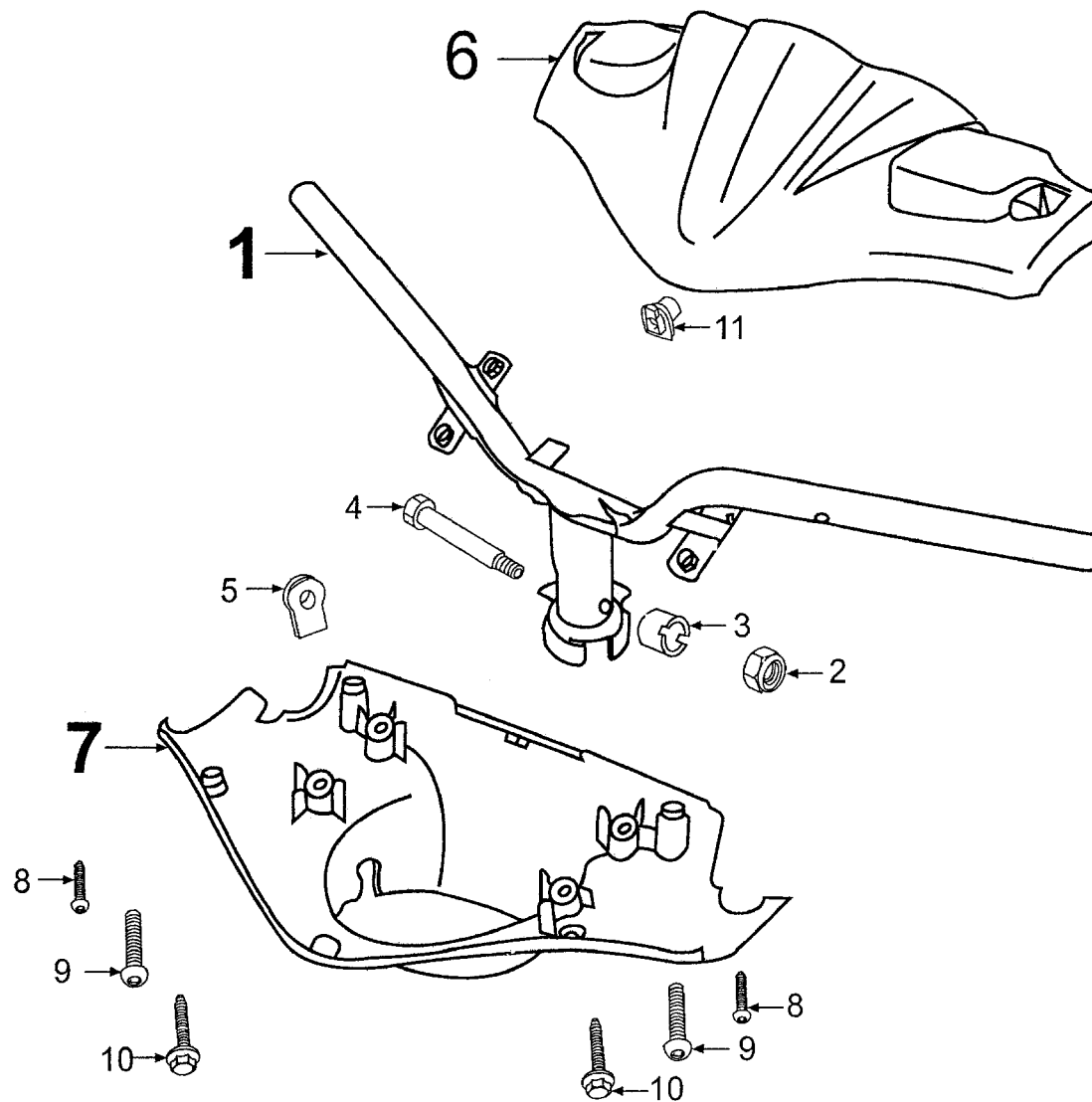


N° REF. C QTY DESCRIPTION

HANDLEBAR

C 08

1	737913	1	HANDLEBAR
2	834012	1	FLANGE NUT M10X1,50
3	734095	1	CURVED IN WASHERS
4	735593	1	HEXAGON SCREW HM10X1,50-60
5	730658	1	GROMMET
6	734266 *	1	UPPER COVER (PAINTED)
7	734267 *	1	INFERIOR COVER (PAINTED)
8	728540	5	ROUND-HEAD SCREW RLXS 4-20
9	736593	4	SCREW BHC M8X1,25-20
10	742719	4	SHOULDER SCREW M6X1,00-14
11	739334	1	FIBBER NUT

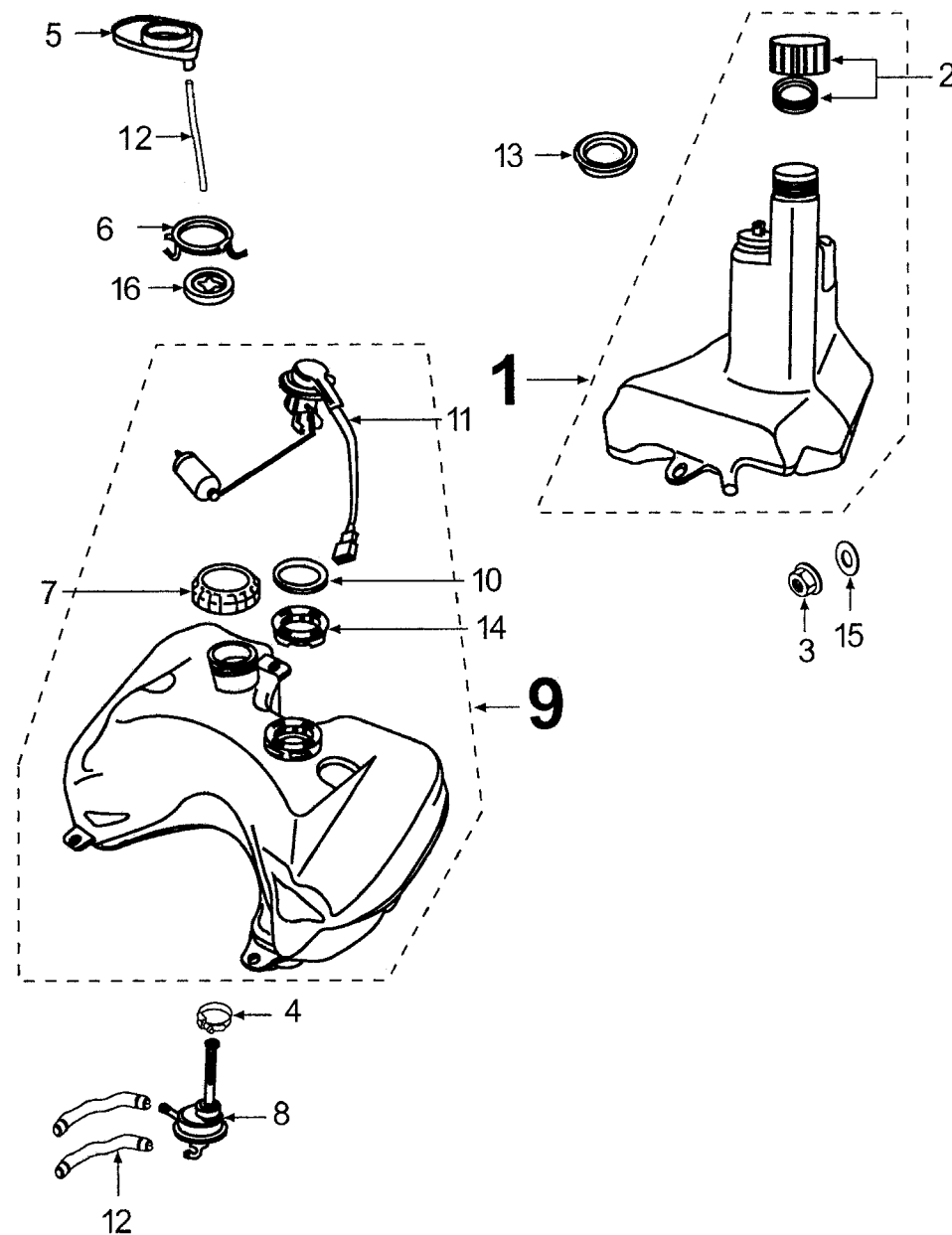


N° REF. C QTY DESCRIPTION

TANK-FUEL COCK

C 09

1	733984	1	FUEL TANK + JAUGE
2	721750	1	OIL TANK CAP + OIL RING
3	837013	2	FLANGE NUT M6X1,00
4	734221	1	TUBE CLIP
5	735751	1	OIL TRAY
6	739176	1	CLIP
7	733252	1	CAP
8	734227	1	FUEL TAP
9	736094	1	FUEL TANK
10	705134	1	FUEL GAUGE GASKET 34-44-5.5
11	735769	1	FUEL GAUGE UNIT
12	061764	1	TUBE (PER METER)
13	740060	1	GASKET
14	736185	1	COLLAR
15	853104	1	PLAIN WASHER 8,25-18-2,5
16	739024	1	REDUCER TO FILL PETROL TANK

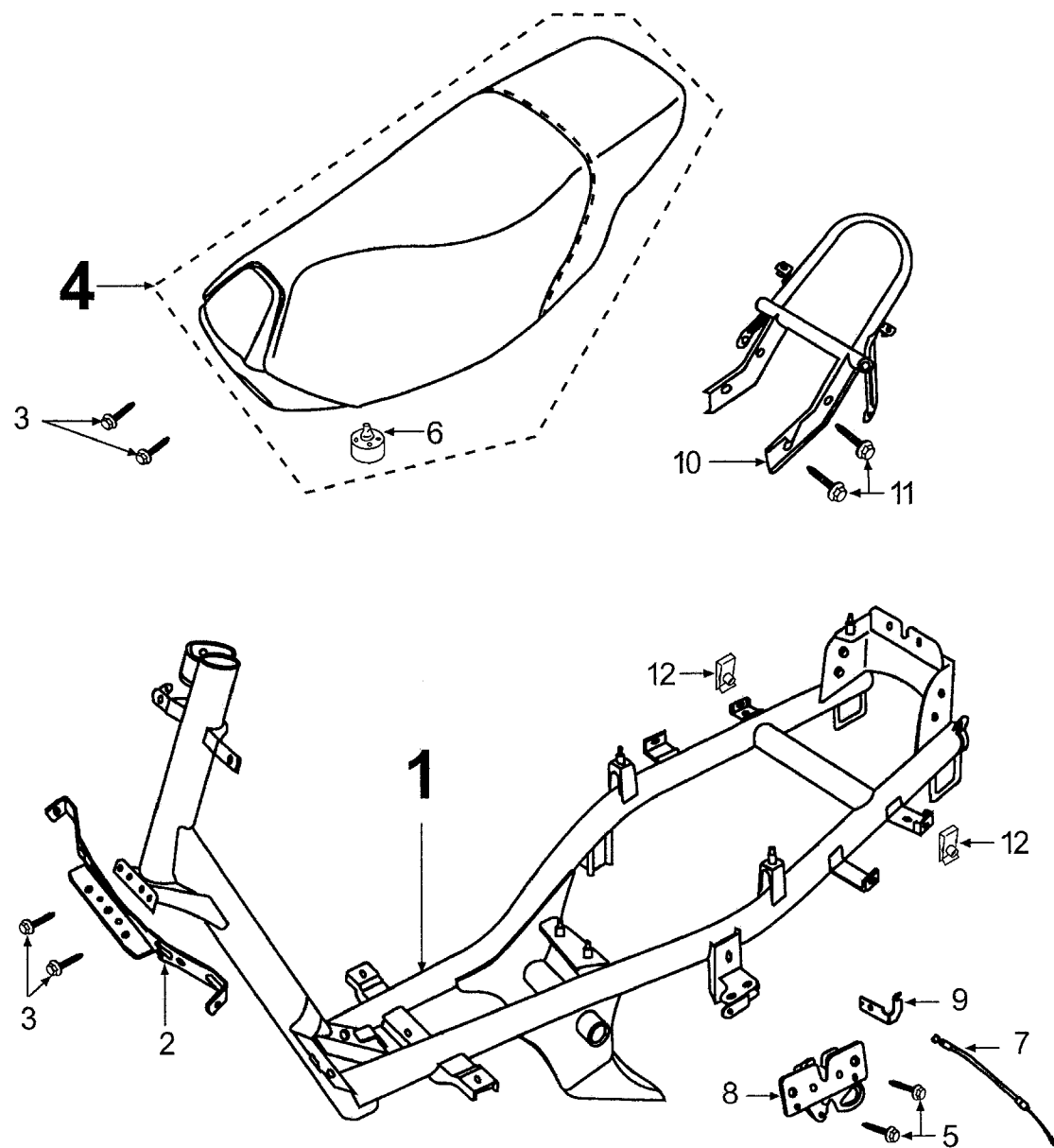


N° REF. C QTY DESCRIPTION

1	741476	1	FRAME (COIL FRONT FRAME)
2	735143	1	HOLDER BRACKET
3	704937	4	FLANGE SCREW M6X1,00-12
4	734827 *	1	SADDLE
5	742719	2	SHOULDER SCREW M6X1,00-14
6	752664	3	RUBBER STOP
7	744546	1	SADDLE LOCK CABLE
8	734197	1	LOCK-PLATE
9	740496	1	BRACKET
10	739127	1	HANDLE
11	705096	4	FLANGE SCREW M8X1,25-14
12	734241	4	CLIP NUT 5X0,80

FRAME-SADDLE- CARRIER

C 10

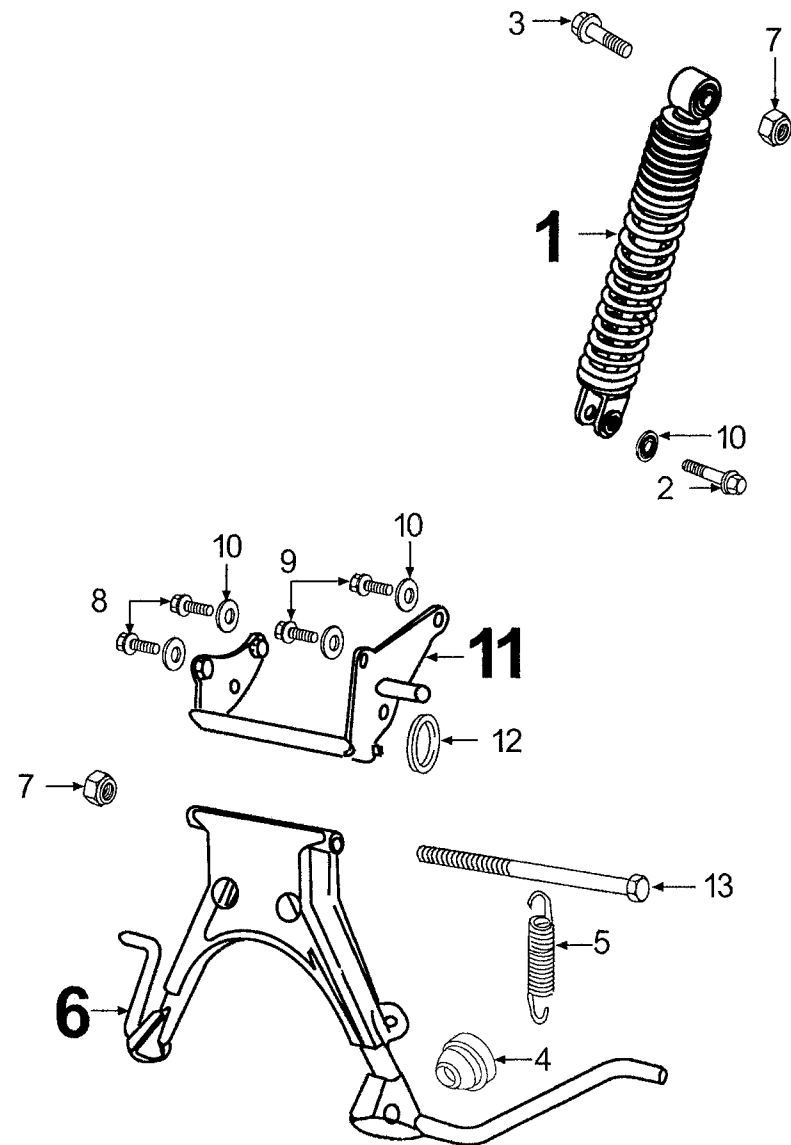


N° REF. C QTY DESCRIPTION

SUSPENSION-STAND

C 11

1	743936 *	1	REAR SHOCK ABSORBER
2	710297	1	HEXAGON SCREW M8X1,25-35
3	723800	1	FLANGE SCREW M10X1,50-42
4	731185	1	RUBBER STOP
5	737720	1	SPRING
6	741352	1	FRAME
7	834012	2	FLANGE NUT M10X1,50
8	710296	2	HEXAGON SCREW M8X1,25-30
9	710466	2	HEXAGON SCREW M8X1,25-25
10	725083	5	CONICAL WASHER 8,4-16-1,4
11	742145	1	BRACKET
12	735987	1	PLATE
13	730854	1	HEXAGON SCREW HM10X1,50-165

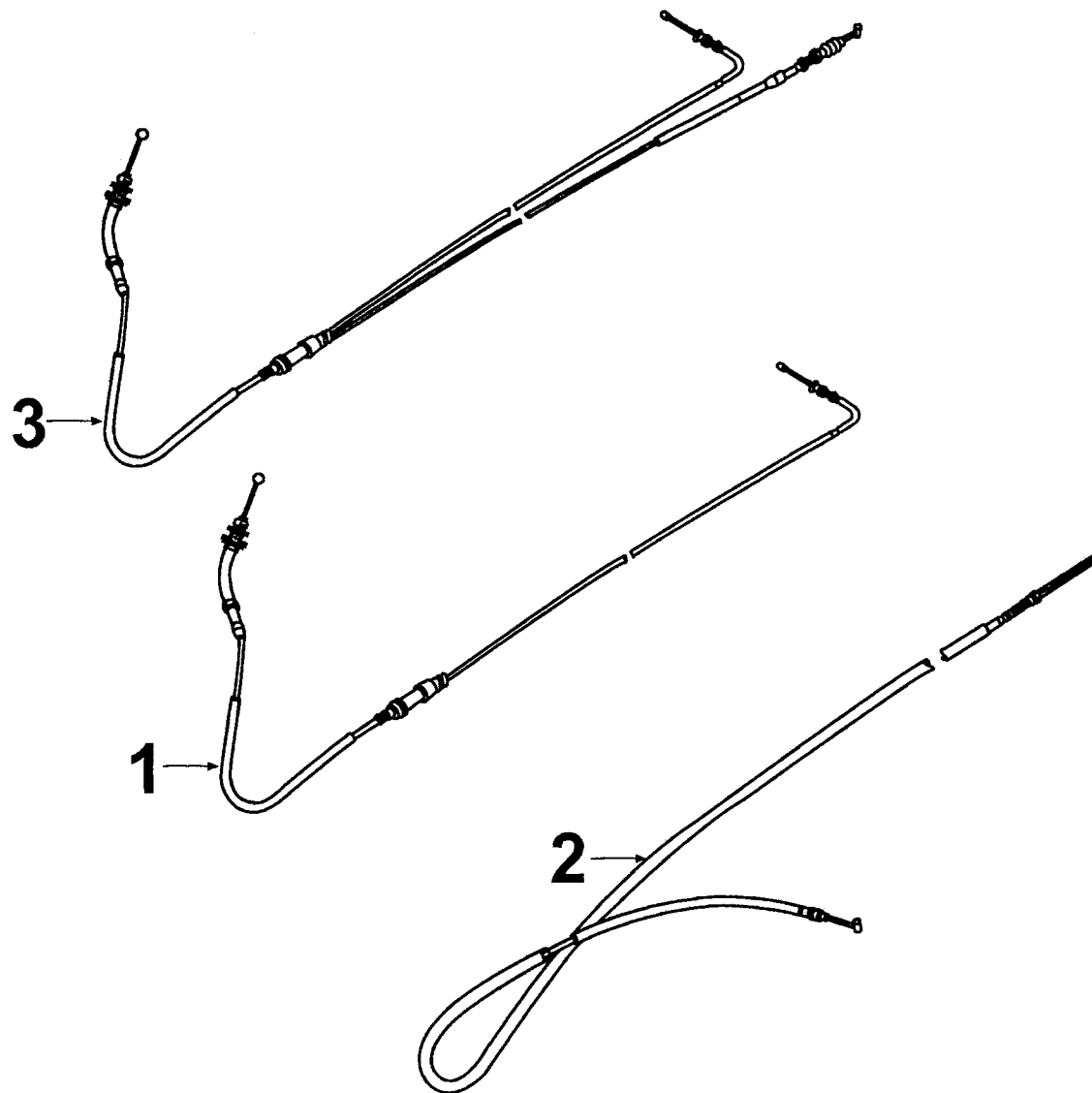


N° REF. C QTY DESCRIPTION

CONTROLS-CABLES

C 12

- 1 740501 1 THROTTLE CONTROL ASSY SINGLE
- 2 736927 1 REAR BREAK CONTROL
- 3 736928 1 THROTTLE CONTROL ASSY

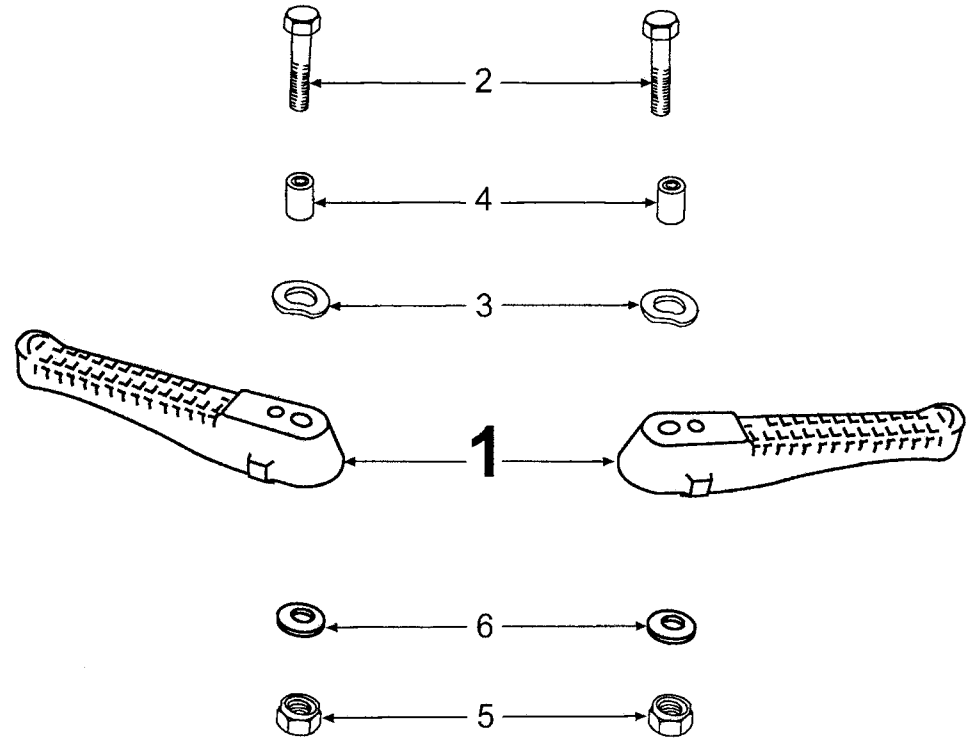


N° REF. C QTY DESCRIPTION

FOOTREST

C 13

1	740432	2	FOOT REST
2	710298	2	HEXAGON SCREW M8X1,25-40
3	735296	2	FLEXIBLE WASHER 10,6X18,9X0,2
4	735258	2	SPACER 8X10X19,1
5	750761	2	LOCKNUT M8X1,25
6	853090	2	PLAIN WASHER 8-22-1,5

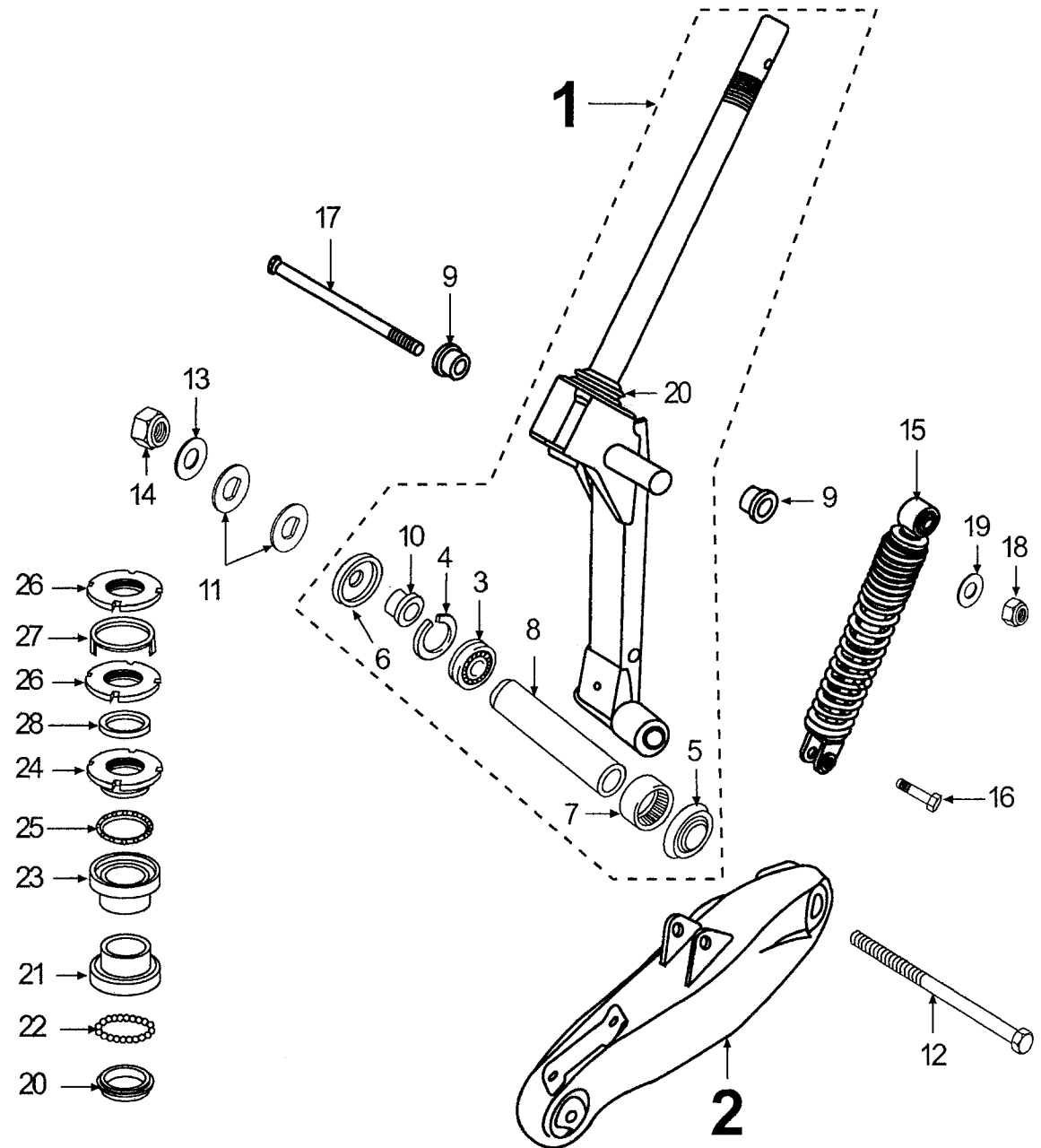


N° REF. C QTY DESCRIPTION

FORK-STEERING

C 14

1	742760	1	TELESCOPIC FORK
2	743646 *	1	SWINGING ARM
3	722671	1	BEARING 17-40-12
4	742112	1	INNER CIRCLIP
5	742393	1	CUP WITH SEAL
6	742399	1	CUP
7	742403	1	NEEDLE BEARING
8	742604	1	SPACER
9	732039	2	SPACER L=18
10	742405	1	SPACER
11	742104	2	FIBER WASHER 12,2-27-3
12	742664	1	AXLE
13	732445	1	SPRING WASHER M 14
14	728073	1	FLANGE NUT 14X1,50
15	742442	1	FRONT SHOCK ABSORBER 258
16	737032	1	HEXAGON SCREW HM8X1,25-40
17	737674	1	HEXAGON SCREW HM10X1,25-175
18	726426	1	FLANGE NUT M10X1,25
19	731250	1	PLAIN WASHER 10,25-25-2
20	745712	1	STEERING BOTTOM CONE RACE
21	745711	1	STEERING UNDER BALL RACE
22	732658	21	BALL D=6,35
23	745710	1	STEERING UPPER BALL RACE
24	745708	1	OBERE CONE RACE
25	733473	1	BALL CAGE
26	745707	2	LOCK-NUT
27	737611	1	WASHER
28	737610	1	RUBBER WASHER



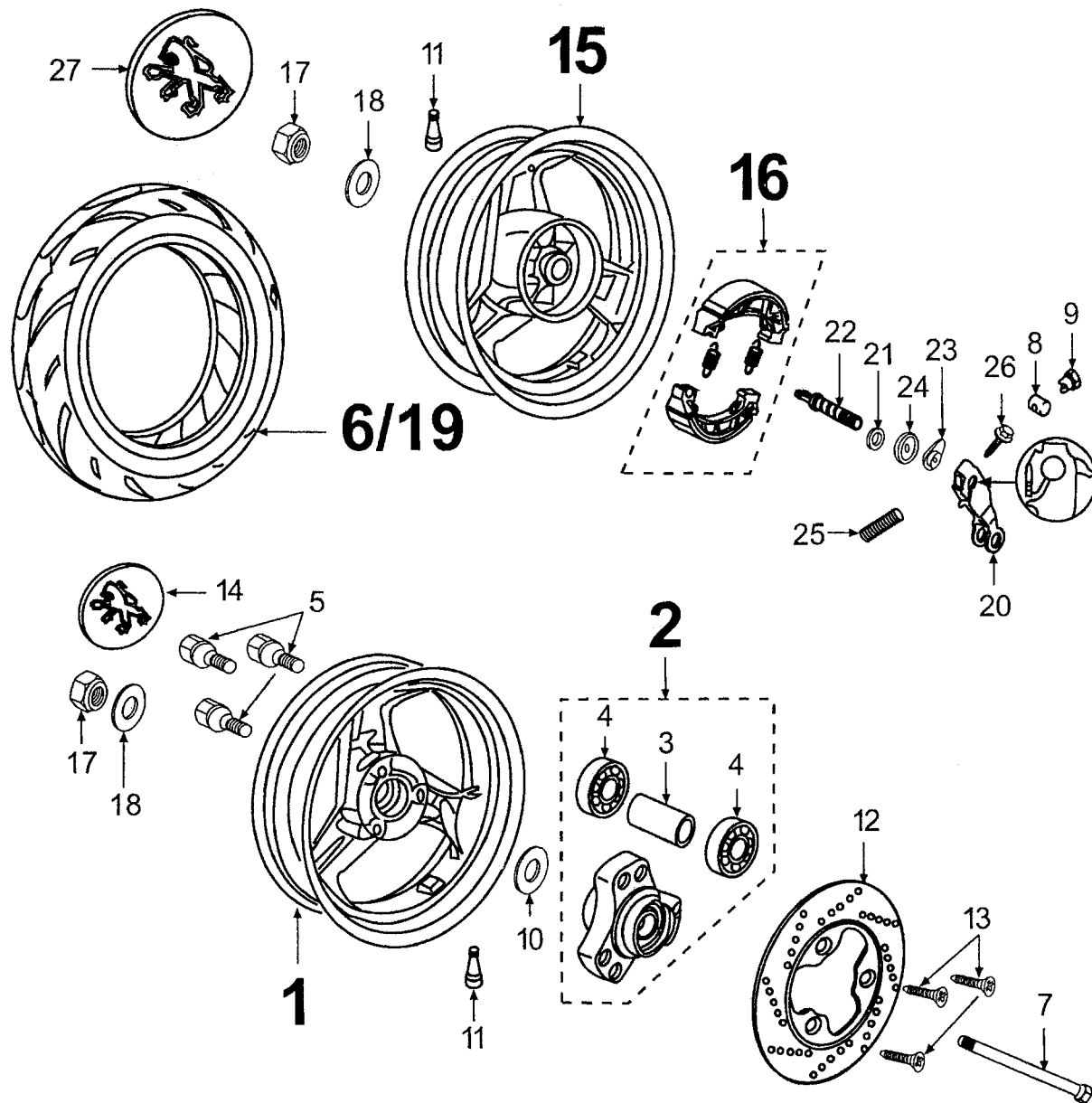


N° REF. C QTY DESCRIPTION

1	734568 *	1	FRONT WHEEL 12"
2	736290	1	FRONT HUB
3	735759	1	SPACER 17X25X24
4	735766	2	BALL BEARING 17-40-12
5	734567	3	SCREW
6	731017	1	TIRE 120/70-12 (NOT AVAILABLE)
7	737627	1	AXLE M14X1,50 - 140
8	726209	1	BRAKE BARREL D12
9	720901	1	BRAKE NUT M6X1,00
10	737403	1	WASHER 17.1-27-1,5
11	718647	2	VALVE
12	744573	1	BRAKE DISC D=180
13	737756	3	FLAT HEAD SCREW FXC M8X1,25-20
14	736199	1	CAP D=40
15	734612 *	1	REAR WHEEL 12"
16	725436	1	BRAKE SHOE SET
17	728073	2	FLANGE NUT 14X1,50
18	732445	2	SPRING WASHER M 14
19	731027	1	TIRE 130/70-12 (NOT AVAILABLE)
20	733765	1	REAR BRAKE CAM (FLUTED FLASK)
21	724142	1	FELT GASKET
22	734187	1	BRAKE ARM (FLUTED FLASK)
23	725438	1	INDICATOR (GEOM SQUARE)
24	734182	1	CUP (FLUTED FLASK)
25	724145	1	BRAKE LEVER SPRING
26	726979	1	FLANGE SCREW HM6X1,00-30
27	731059	1	CAP D=56

WHEELS

C 15

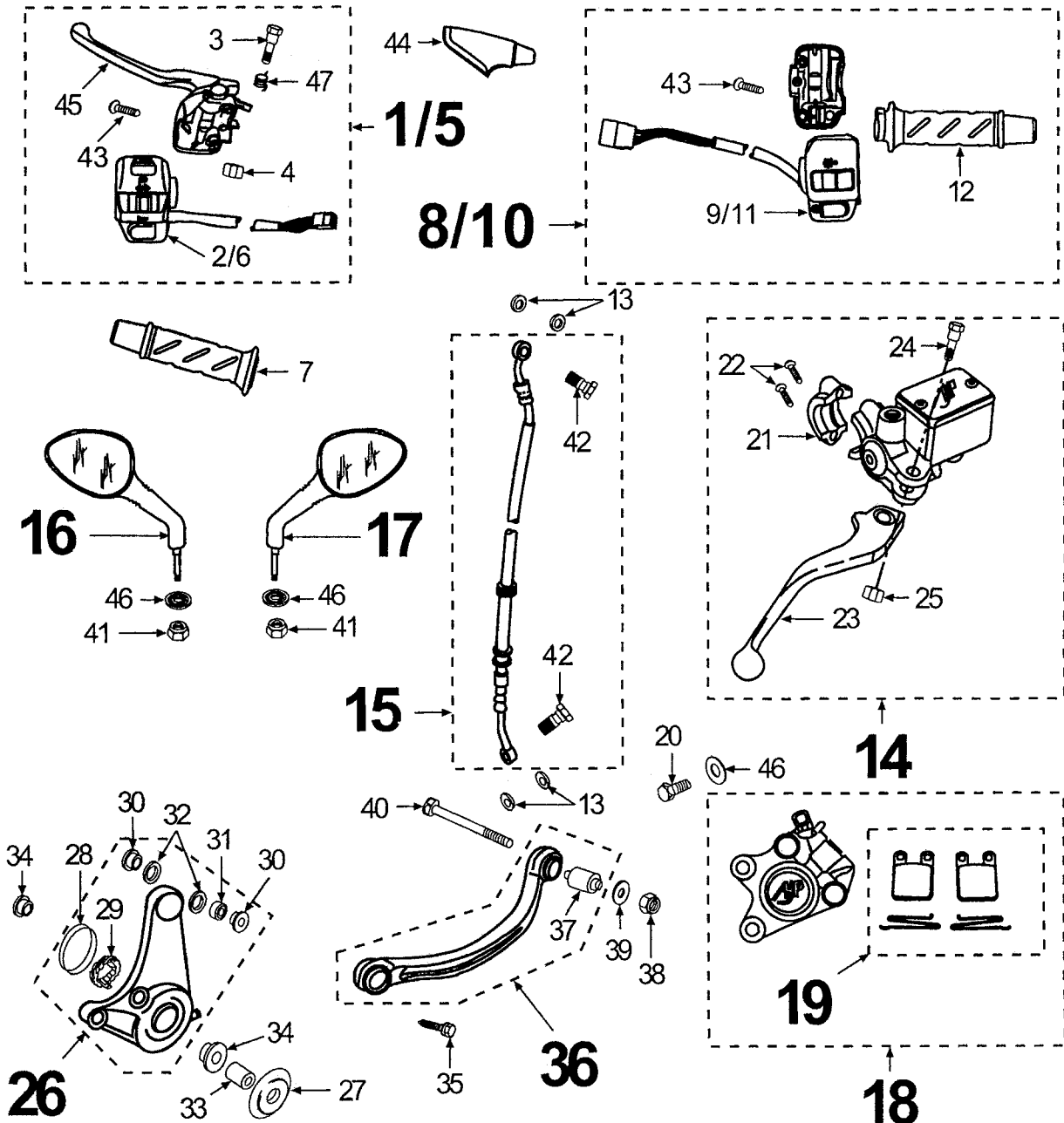


N° REF. C QTY DESCRIPTION

1	744158	1	BRAKE LEVER+BRACKET
2	739681	1	LEFT REVERSING SWITCH
3	752875	1	PIN SCREW
4	837013	1	FLANGE NUT M6X1,00
5	744161	1	BRAKE LEVER+BRACKET
6	754140	1	LH SWITCH WITH HARNESS
7	735171 *	1	LH GRIP RUBBER SLEEVE
8	738877	1	TURNING HANDLE
9	753222	1	RH SWITCH WITH HARNESS (NYLON)
10	753959	1	TURNING HANDLE
11	753789	1	RH SWITCH WITH HARNESS (METAL)
12	753030 *	1	TURNING HANDLE RH
13	729739	4	COPPER GASKET 14-10-2
14	733774	1	FRONT MASTER CYLINDER + LEVER "AJP"
15	736506	1	FRONT HYDRAULIC HOSE SET
16	738977	1	LH REAR MIRROR
17	738978	1	RH REAR MIRROR
18	743386	1	FRONT BRAKE CALIPER ASSZ (AJP)
19	752816	1	BRAKE PAD SET
20	710296	2	HEXAGON SCREW M8X1,25-30
21	733796	1	TUBE CLIP 1/2
22	742073	2	HEAD CAP SCREW M6X1,00-25
23	752868	1	RH BRAKE LEVER
24	752867	1	PIN SCREW
25	710374	1	LOCKNUT M6X1.00
26	736423	1	BRAKE CALLIPER BRACKET
27	736171	1	CUP WITH SEAL
28	735728	1	OIL SEAL 45-55-7
29	736441	1	DRIVER 28 TOOTH-TEETH
30	728472	2	SHOULDER SPACER
31	728473	1	SPACER 8,3X14-14
32	735311	2	O'RING SEAL 12X1,2
33	734610	1	SPACER 17X22X35
34	736024	2	BUSH TORQUE LINK
35	737404	1	HEXAGON SCREW HM8X1,25-30
36	742795	1	BRACKET
37	736101	1	SILENTBLOCK
38	834012	1	FLANGE NUT M10X1,50
39	731250	1	PLAIN WASHER 10,25-25-2

BRAKE CALLIPER (A.J.P)

D 01



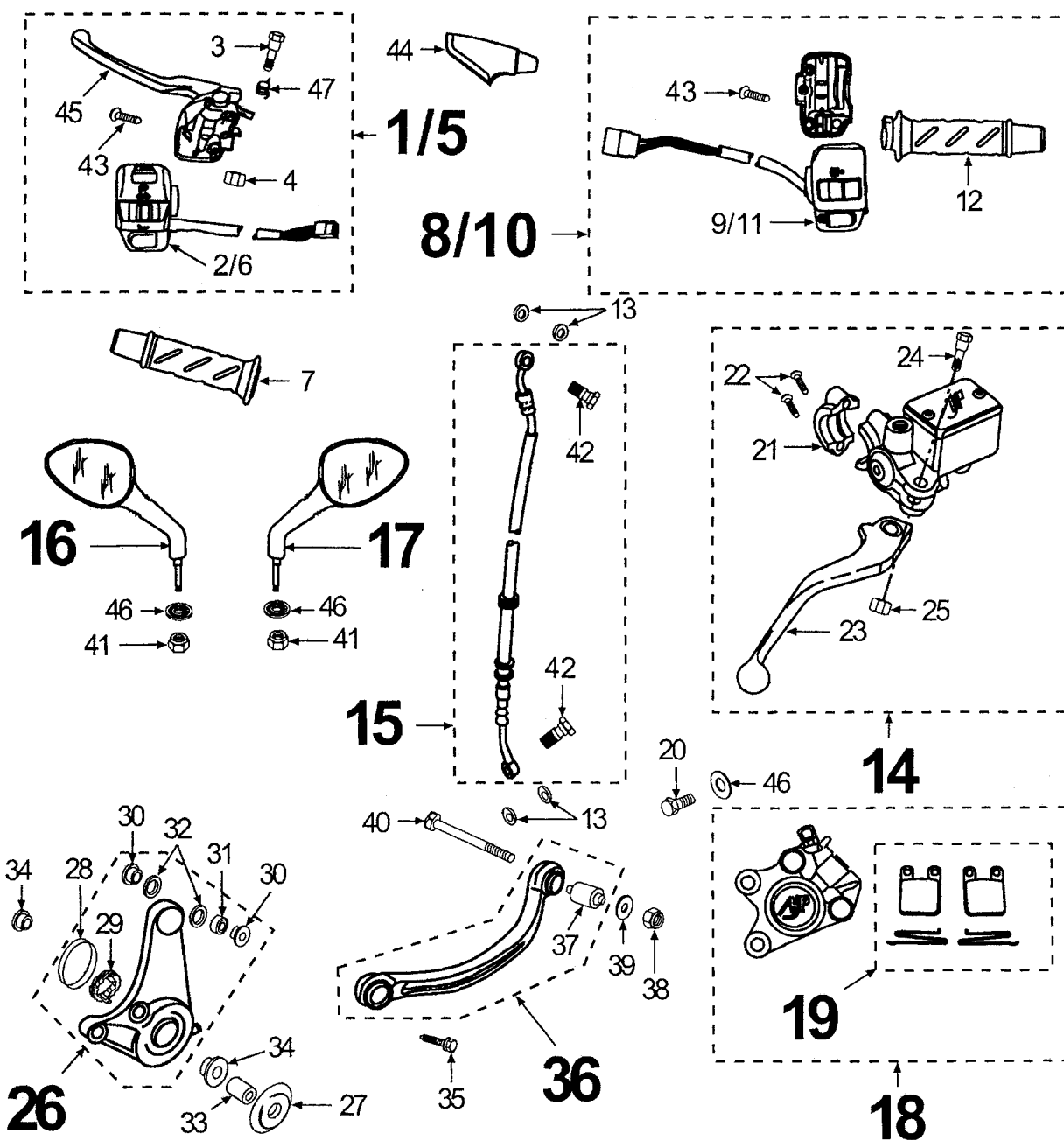
SEE NEXT PAGE D02

N° REF. C QTY DESCRIPTION

40	735999	1	HEXAGON SCREW M10X1,50-100
41	750761	2	LOCKNUT M8X1,25
42	753078	2	HOSE FITTING SCREW L=18
43	752874	4	FLAT-HEAD SCREW M5X0,80-22
44	738035	1	SLEEVE
45	752056 *	1	LH BRAKE LEVER
46	725083	4	CONICAL WASHER 8,4-16-1,4
47	750222	1	LEVER SPRING

**BRAKE CALLIPER (A.J.P)**

**D 02**



N° REF. C QTY DESCRIPTION

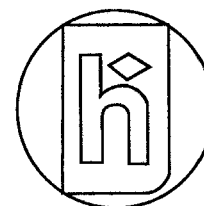
BRAKE CALIPER-MIRROR-GRIP

D 03

1 D01 BRAKE CALLIPER (A.J.P)  
2 D04 BRAKE CALLIPER (HENG TONG)



A.J.P



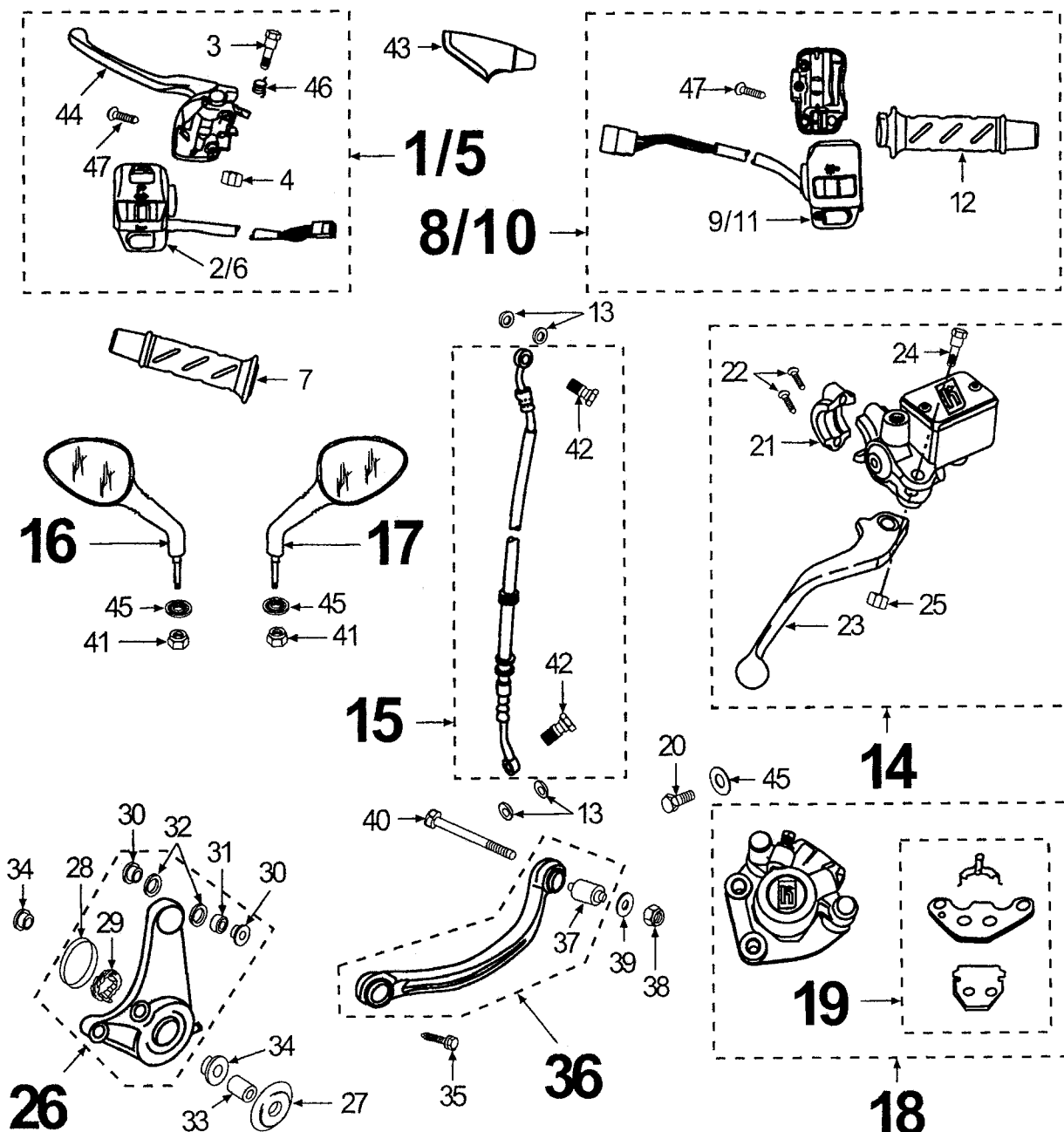
HENG-TONG

N° REF. C QTY DESCRIPTION

1	744158	1	BRAKE LEVER+BRACKET
2	739681	1	LEFT REVERSING SWITCH
3	752875	1	PIN SCREW
4	837013	1	FLANGE NUT M6X1,00
5	744161	1	BRAKE LEVER+BRACKET
6	754140	1	LH SWITCH WITH HARNESS
7	735171 *	1	LH GRIP RUBBER SLEEVE
8	738877	1	TURNING HANDLE
9	753222	1	RH SWITCH WITH HARNESS (NYLON)
10	753959	1	TURNING HANDLE
11	753789	1	RH SWITCH WITH HARNESS (METAL)
12	753030 *	1	TURNING HANDLE RH
13	729739	4	COPPER GASKET 14-10-2
14	733783	1	RH MASTER CYLINDER+LEVER"HENG-TONG
15	736503	1	HYDRAULIC HOSE SET
16	738977	1	LH REAR MIRROR
17	738978	1	RH REAR MIRROR
18	736502	1	BRAKE CALIPER ASSY
19	752818	1	BRAKE PAD SET + FIXING
20	724588	2	FLANGE SCREW M8X1,25-35
21	752865	1	COLLAR
22	742073	2	HEAD CAP SCREW M6X1,00-25
23	752864	1	RH BRAKE LEVER
24	752866	1	PIN SCREW
25	710374	1	LOCKNUT M6X1.00
26	736423	1	BRAKE CALLIPER BRACKET
27	736171	1	CUP WITH SEAL
28	735728	1	OIL SEAL 45-55-7
29	736441	1	DRIVER 28 TOOTH-TEETH
30	728472	2	SHOULDER SPACER
31	728473	1	SPACER 8,3X14-14
32	735311	2	O'RING SEAL 12X1,2
33	734610	1	SPACER 17X22X35
34	736024	2	BUSH TORQUE LINK
35	737404	1	HEXAGON SCREW HM8X1,25-30
36	742795	1	BRACKET
37	736101	1	SILENTBLOCK
38	834012	1	FLANGE NUT M10X1,50
39	731250	1	PLAIN WASHER 10,25-25-2

BRAKE CALLIPER (HENG TONG)

D 04



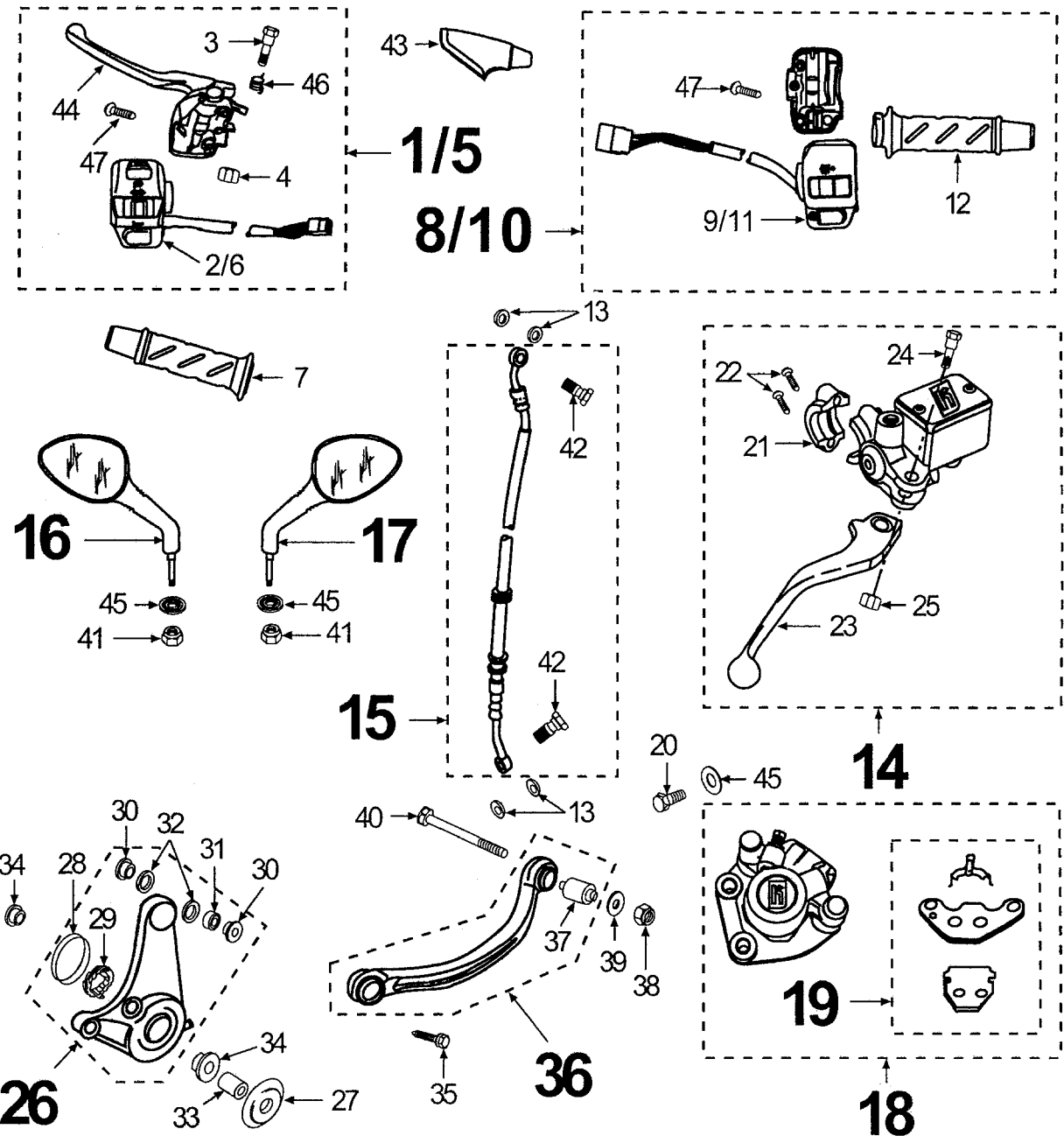
SEE NEXT PAGE D05

N° REF. C QTY DESCRIPTION

40	735999	1	HEXAGON SCREW M10X1,50-100
41	750761	2	LOCKNUT M8X1,25
42	753078	2	HOSE FITTING SCREW L=18
43	738035	1	SLEEVE
44	752056 *	1	LH BRAKE LEVER
45	725083	4	CONICAL WASHER 8,4-16-1,4
46	750222	1	LEVER SPRING
47	752874	4	FLAT-HEAD SCREW M5X0,80-22

**BRAKE CALLIPER (HENG TONG)**

**D 05**

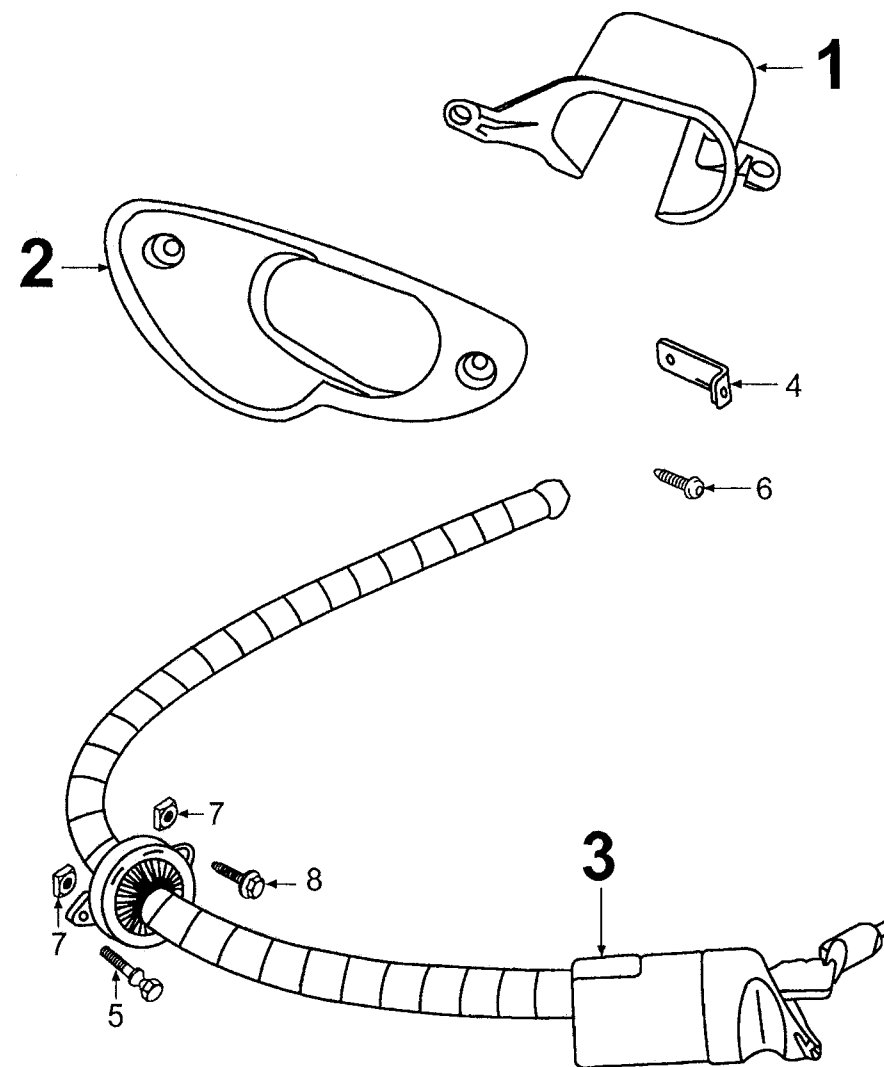


N° REF. C QTY DESCRIPTION

STEERING LOCK

D 07

1	734211	1	HOUSING
2	734212 *	1	STRIP
3	739292	1	ANTI-THEFF
4	734501	1	BRACKET
5	719921	1	DISMANTLED SCREW M6X1,00-28
6	728544	2	ROUND-HEAD SCREW 5X0,80-20
7	714938	2	SQUARE NUT M6X1,00
8	726979	1	FLANGE SCREW HM6X1,00-30

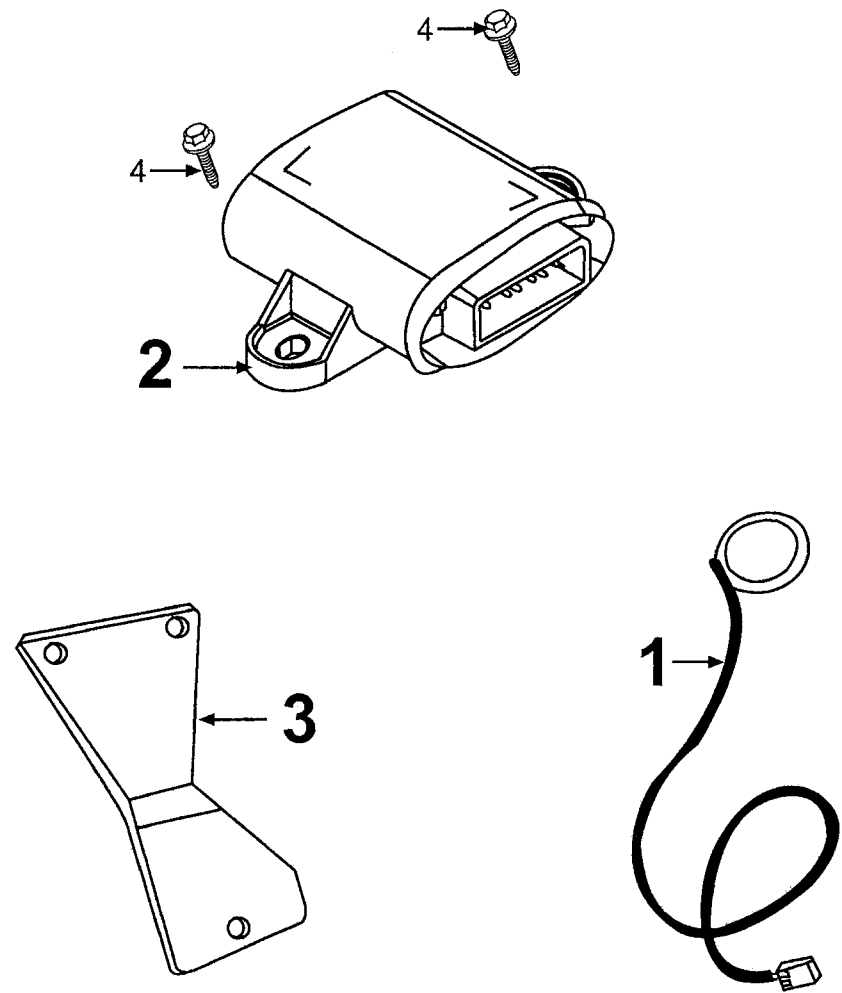


N° REF. C QTY DESCRIPTION

ELECTRONIC EQUIPMENT

D 08

1 740465 1 ANTENNA  
2 741061 1 CDI UNIT\*50\*  
3 741343 1 HOLDER BRACKET  
4 705001 2 FLANGE SCREW M5X0,80-25



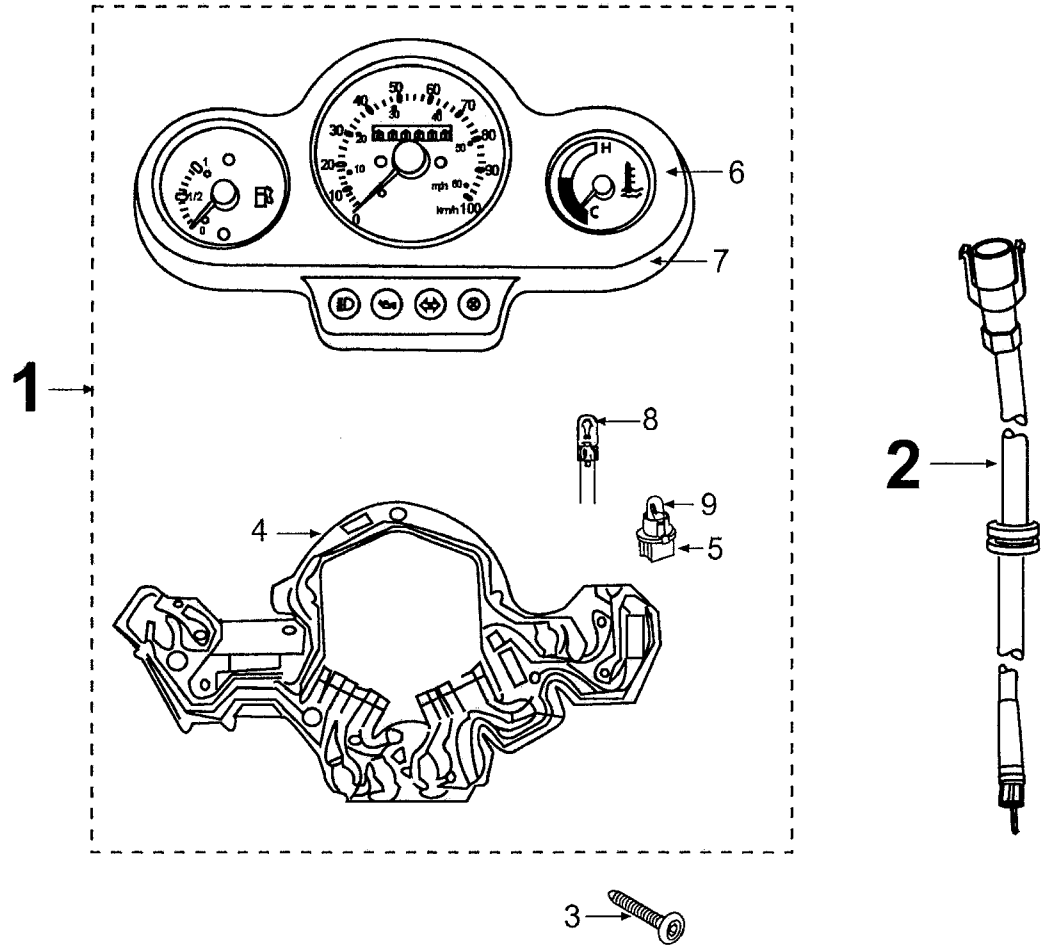


N° REF. C QTY DESCRIPTION

SPEEDOMETER

D 09

1	743911	1	SPEEDOMETER
2	736610	1	SPEEDOMETER CABLE
3	726479	4	ROUND-HEAD SCREW SP4-10
4	753062	1	PRINTED CIRCUIT
5	752110	6	BULB HOLDER
6	753064	1	LENS
7	753063	1	STRIP
8	753065	1	LED
9	750553	6	WHITE BULB 12 V-1,2 W

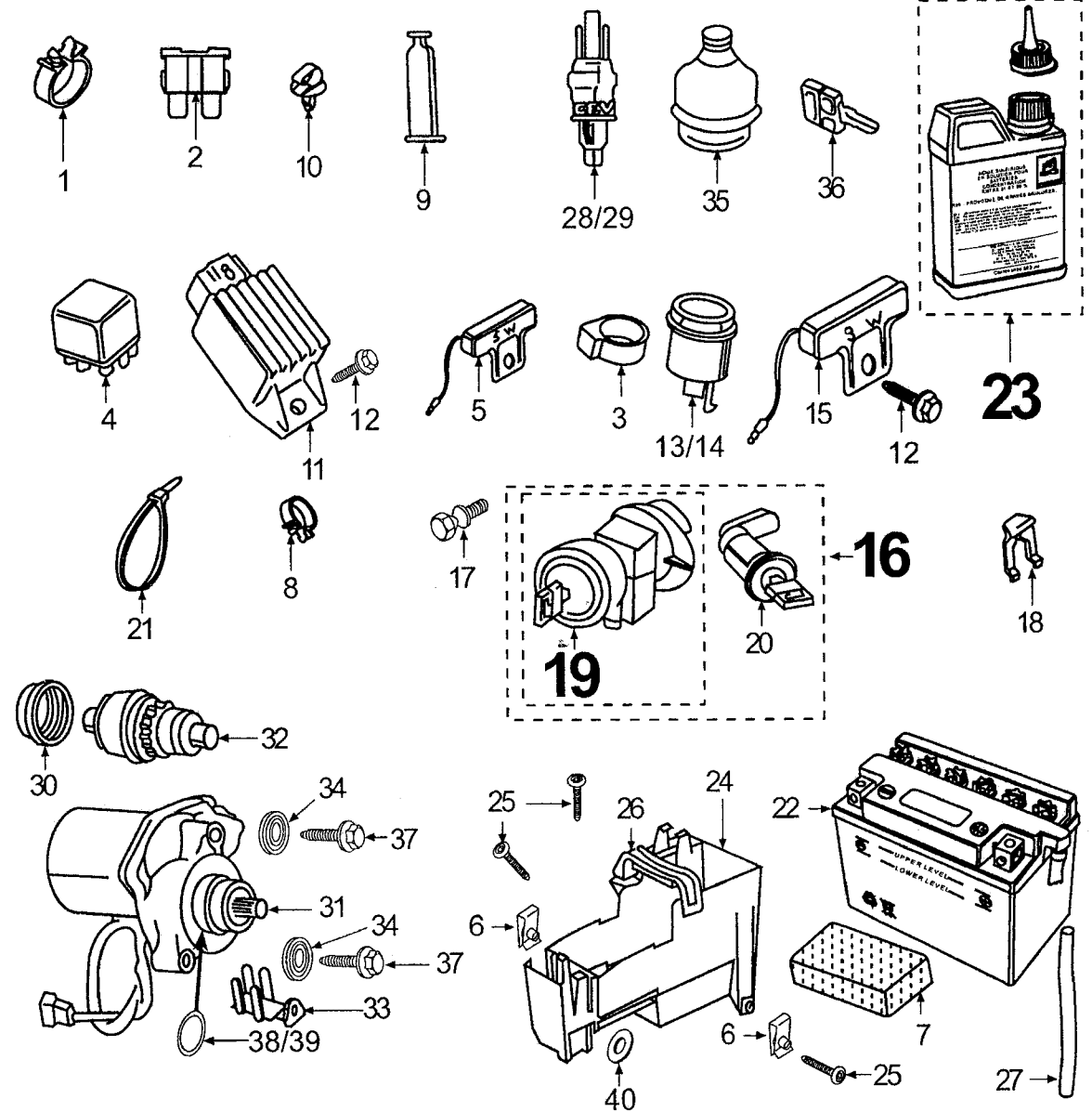


N° REF. C QTY DESCRIPTION

ELECTRIC EQUIPMENT

D 10

1	061950	2	CLIP
2	736693	1	FUSE (5 AMPERES)
3	736585	1	COLLAR
4	738903	1	STARTER RELAY
5	724152	1	RESISTOR 5W-6,7 OHMS
6	734241	3	CLIP NUT 5X0,80
7	735394	1	BLOCK
8	714339	2	CLIP
9	056310	2	CAP
10	728276	1	CLIP
11	735871	1	REGULATOR
12	704937	2	FLANGE SCREW M6X1,00-12
13	739756	1	BLINKER UNIT WITHOUT RINGING
14	730600	1	BLINKER UNIT WITH RINGING
15	724153	1	RESISTOR 30W-5,90 OHMS
16	740646	1	STEERING LOCK
17	725366	1	SELF BREAKING NUT M8
18	724767	1	LOCK SETTING SPRING
19	753046	1	STEERING LOCK
20	753677	1	SADDLE LOCK + KEY
21	885010	5	PLASTIC COLLAR 3,6 L=208
22	700096	1	BATTERY 12V-4A
23	739733	1	ELECTROLYTE 50 CL
24	734114	1	BATTERY BRACKET
25	726207	4	ROUND-HEAD SCREW M5X0,80-14
26	734115	1	CLAMP
27	061764	1	TUBE (PER METER)
28	063357	2	STOP-LIGHT SWITCH (ALLIAGE)
29	743154	2	STOP-LIGHT SWITCH (NYLON)
30	735843	1	SLEEVE
31	744049	1	STARTER MOTOR SM10
32	735111	1	SPROCKET SM10216
33	731742	1	HARNES CLAMP
34	858051	2	SPRING WASHER 6-12-1.2
35	734191	1	CAP
36	753067	1	BLANK KEY
37	706559	2	FLANGE SCREW M6X1,00-20
38	865073	1	O'RING SEAL 20X2
39	754264	1	O'RING SEAL 2,4-19,3



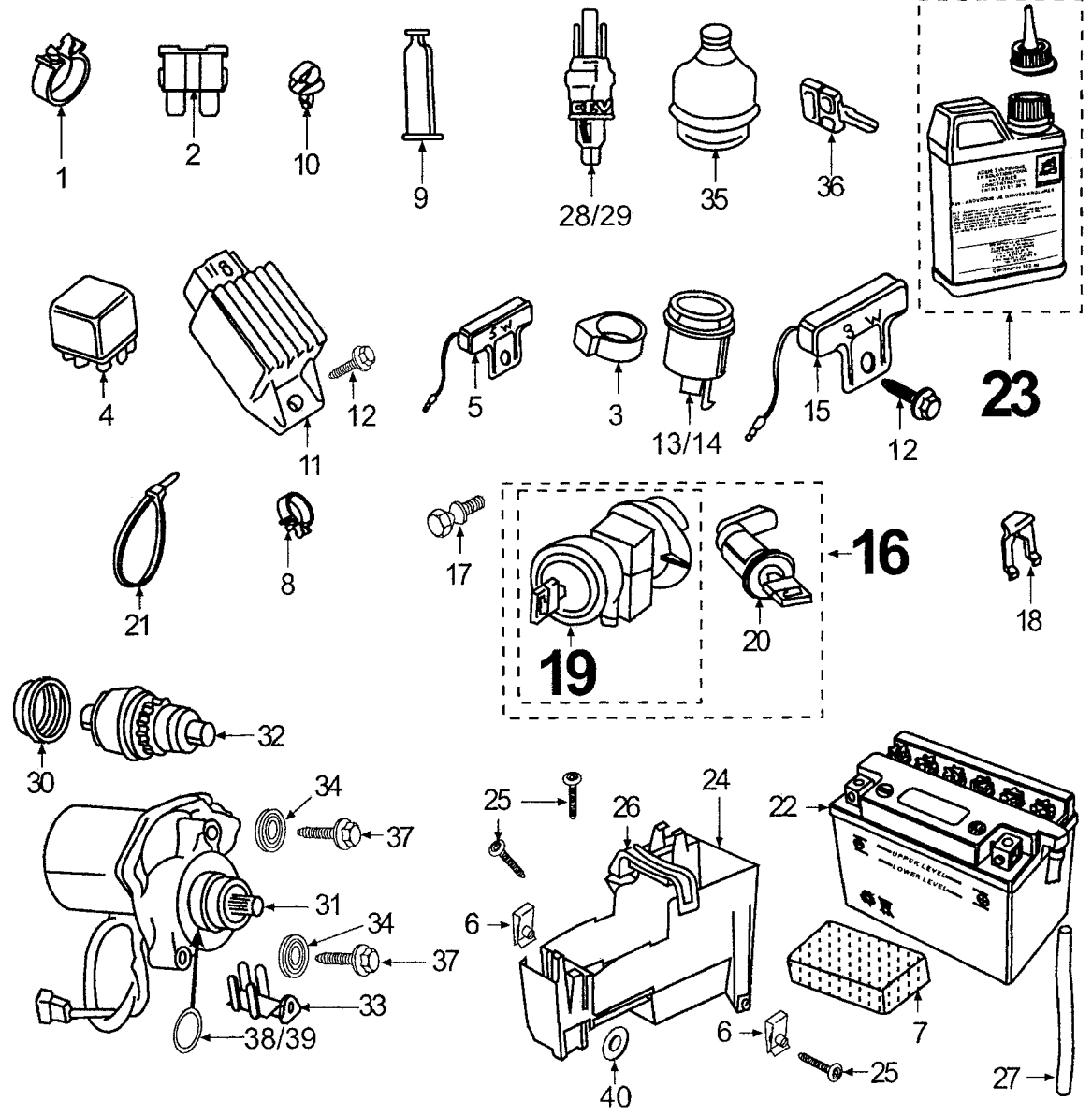
SEE NEXT PAGE D11

N° REF. C QTY DESCRIPTION

40 853466 1 PLAIN WASHER 5.25-14-1.5

ELECTRIC EQUIPMENT

D 11

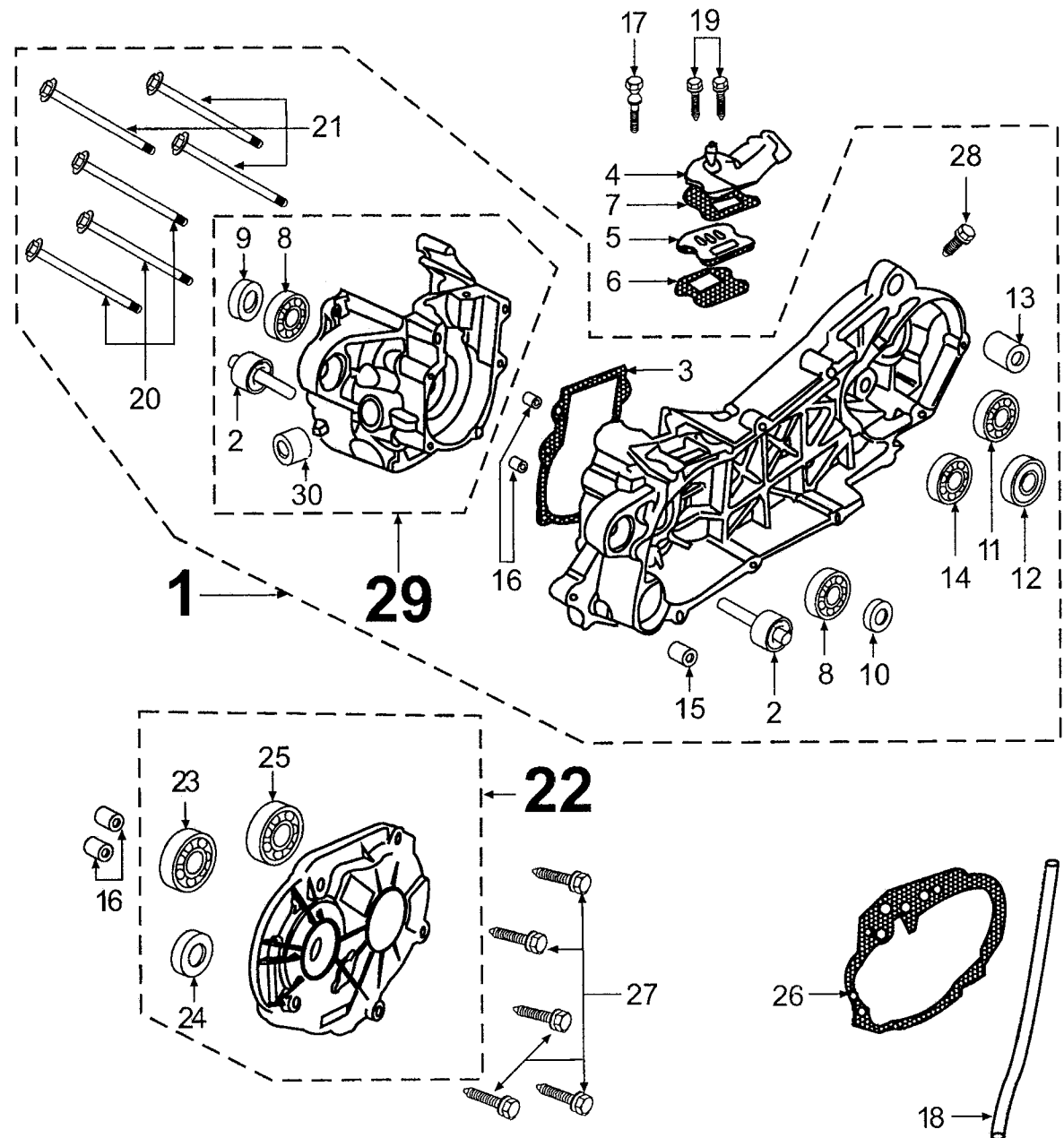


N° REF. C QTY DESCRIPTION

1	753228	1	CRANKCASE ASSY
2	732713	2	SILENTBLOCK D10XD28X20X90,5
3	737847	1	CRANKCASE GASKET
4	731567	1	INTAKE PIPE 17,25
5	743848	1	REED VALVE
6	737854	1	REED VALVE GASKET
7	737855	1	REED VALVE GASKET
8	722483	2	BALL BEARING 20-52-12
9	711824	1	OIL SEAL 15,6-25,6-7
10	720960	1	OIL SEAL 20-30-07
11	723307	1	BALL BEARING 20-42-12
12	723285	1	OIL SEAL 26-42-07
13	706574	1	SILENTBLOCK D8XD20X16X19
14	706433	1	BALL BEARING 12-32-10
15	728849	1	SHOULDER 8-12-8
16	706437	4	DOWEL PIN 10-20
17	719921	1	DISMANTLED SCREW M6X1,00-28
18	061764	1	TUBE (PER METER)
19	706561	4	FLANGE SCREW M6X1,00-28
20	706564	3	FLANDE SCREW M6X1,00-45
21	706567	3	FLANGE SCREW HM6X1,00-70
22	729792	1	TRANSMISSION COVER ASSY
23	722669	1	BALL BEARING 15-35-11
24	719068	1	OIL SEAL 17-30-06
25	725461	1	BALL BEARING 17-40-12
26	737840	1	CRANKCASE GASKET
27	730329	5	SELF TAPING SCREW HE M6-40
28	705096	1	FLANGE SCREW M8X1,25-14
29	736411	1	RH TRANSMISSION
30	731935	1	BUSCH ROTOR

CRANKCASE

D 12

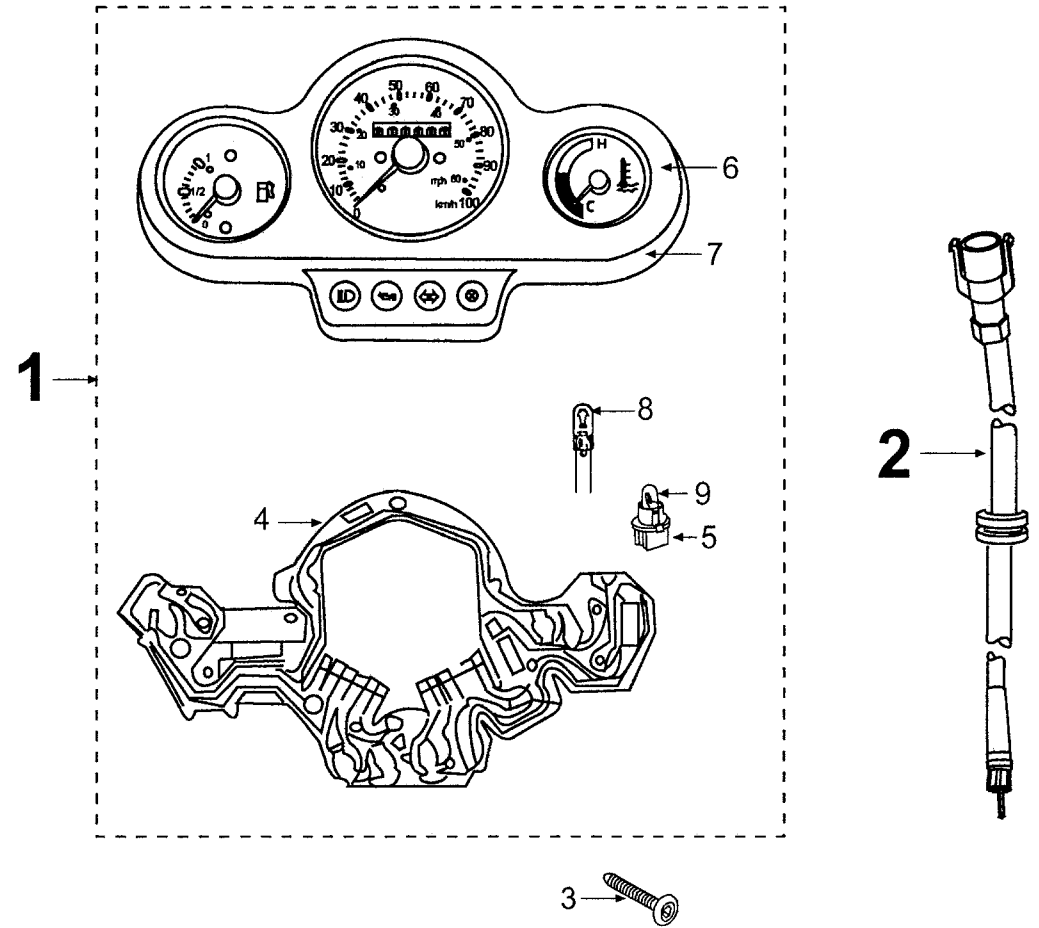


N° REF. C QTY DESCRIPTION

1	743912	1	SPEEDOMETER
2	736610	1	SPEEDOMETER CABLE
3	726479	4	ROUND-HEAD SCREW SP4-10
4	753062	1	PRINTED CIRCUIT
5	752110	6	BULB HOLDER
6	753064	1	LENS
7	753063	1	STRIP
8	753065	1	LED
9	750553	6	WHITE BULB 12 V-1,2 W

SPEEDOMETER

D 13

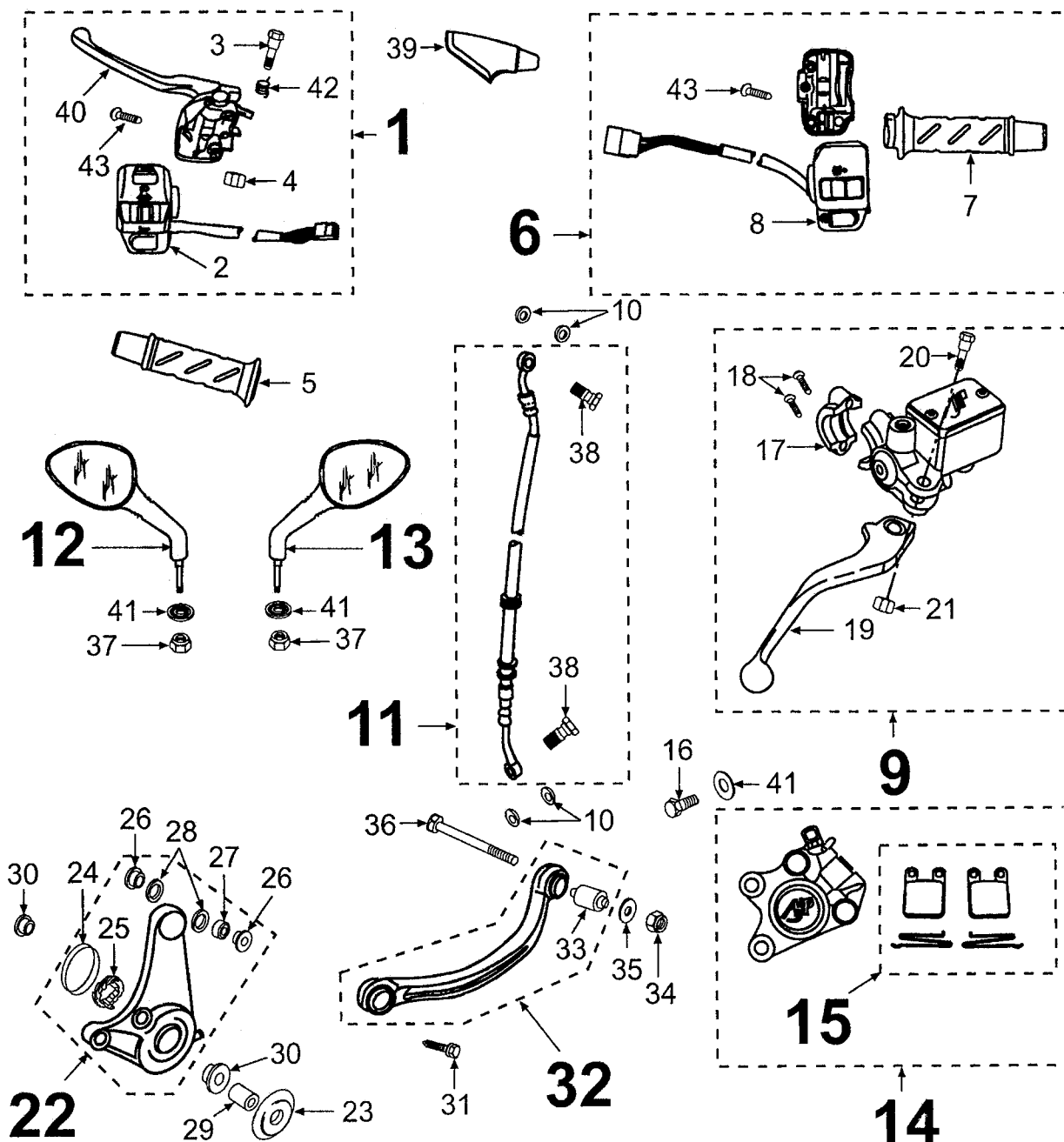


N° REF. C QTY DESCRIPTION

1	746511	1	BRAKE LEVER+BRACKET
2	739681	1	LEFT REVERSING SWITCH
3	752875	1	PIN SCREW
4	837013	1	FLANGE NUT M6X1,00
5	746070	1	LH GRIP RUBBER SLEEVE
6	746071	1	TURNING HANDLE
7	754738	1	TURNING HANDLE RH
8	753222	1	RH SWITCH WITH HARNESS (NYLON)
9	743501	1	FRONT MASTER CYLINDER + LEVER
10	729739	4	COPPER GASKET 14-10-2
11	736506	1	FRONT HYDRAULIC HOSE SET
12	744022 *	1	LH REAR MIRROR
13	744023 *	1	RH REAR MIRROR
14	743386	1	FRONT BRAKE CALIPER ASSZ (AJP)
15	752816	1	BRAKE PAD SET
16	710296	2	HEXAGON SCREW M8X1,25-30
17	754710	1	TUBE CLIP 1/2
18	742073	2	HEAD CAP SCREW M6X1,00-25
19	754709	1	RH BRAKE LEVER (ALLOY.)
20	752867	1	PIN SCREW
21	710374	1	LOCKNUT M6X1.00
22	736423	1	BRAKE CALLIPER BRACKET
23	736171	1	CUP WITH SEAL
24	735728	1	OIL SEAL 45-55-7
25	736441	1	DRIVER 28 TOOTH-TEETH
26	728472	2	SHOULDER SPACER
27	728473	1	SPACER 8,3X14-14
28	735311	2	O'RING SEAL 12X1,2
29	734610	1	SPACER 17X22X35
30	736024	2	BUSH TORQUE LINK
31	737404	1	HEXAGON SCREW HM8X1,25-30
32	742795	1	BRACKET
33	736101	1	SILENTBLOCK
34	834012	1	FLANGE NUT M10X1,50
35	731250	1	PLAIN WASHER 10,25-25-2
36	735999	1	HEXAGON SCREW M10X1,50-100
37	750761	2	LOCKNUT M8X1,25
38	753078	2	HOSE FITTING SCREW L=18
39	738035	1	SLEEVE

BRAKE CALIPER-MIRROR-GRIP

D 15



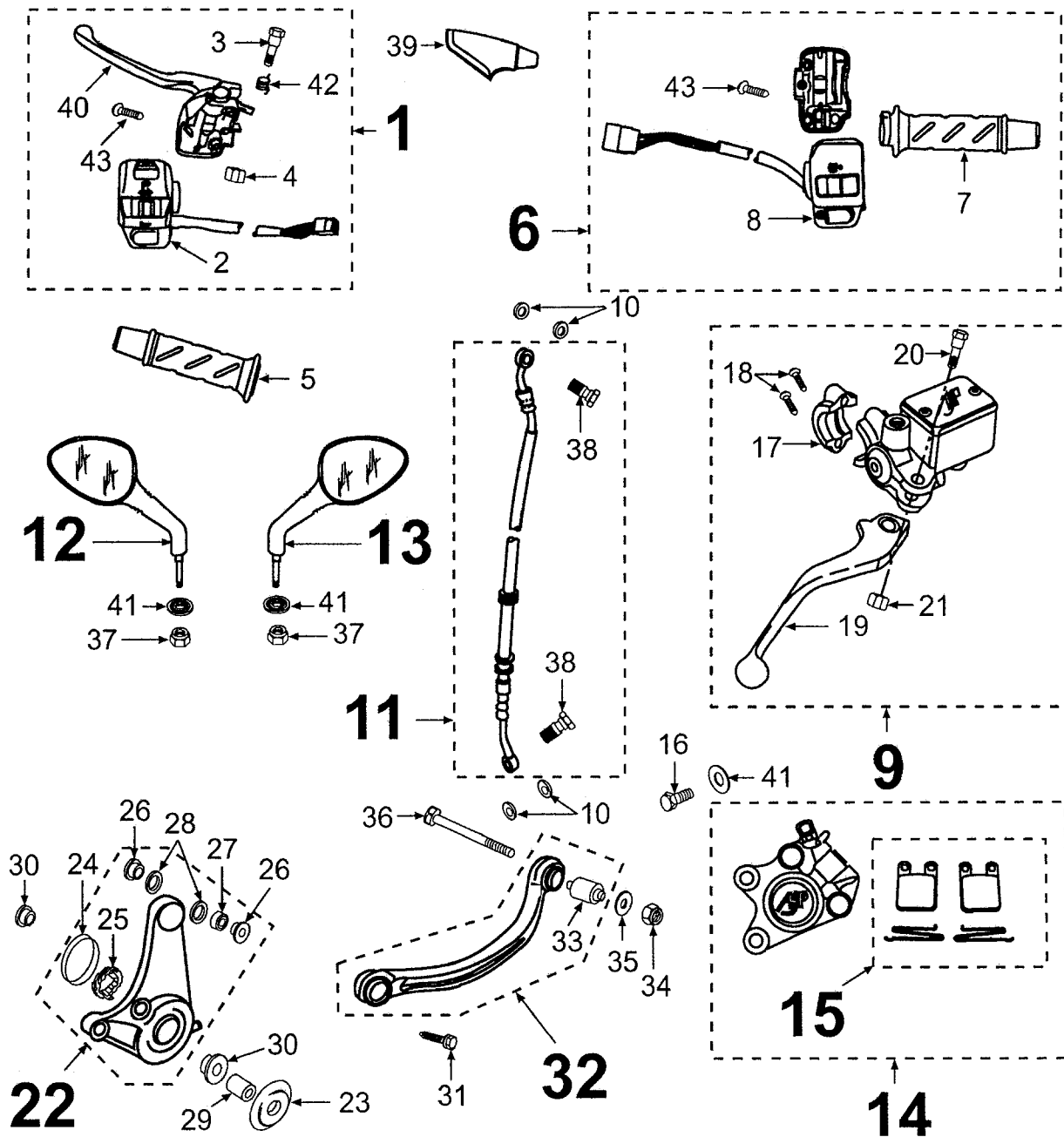
SEE NEXT PAGE D16

N° REF. C QTY DESCRIPTION

40 755682 1 LH BRAKE LEVER  
 41 725083 4 CONICAL WASHER 8,4-16-1,4  
 42 750222 1 LEVER SPRING  
 43 752874 4 FLAT-HEAD SCREW M5X0,80-22

**BRAKE CALIPER-MIRROR-GRIP**

**D 16**

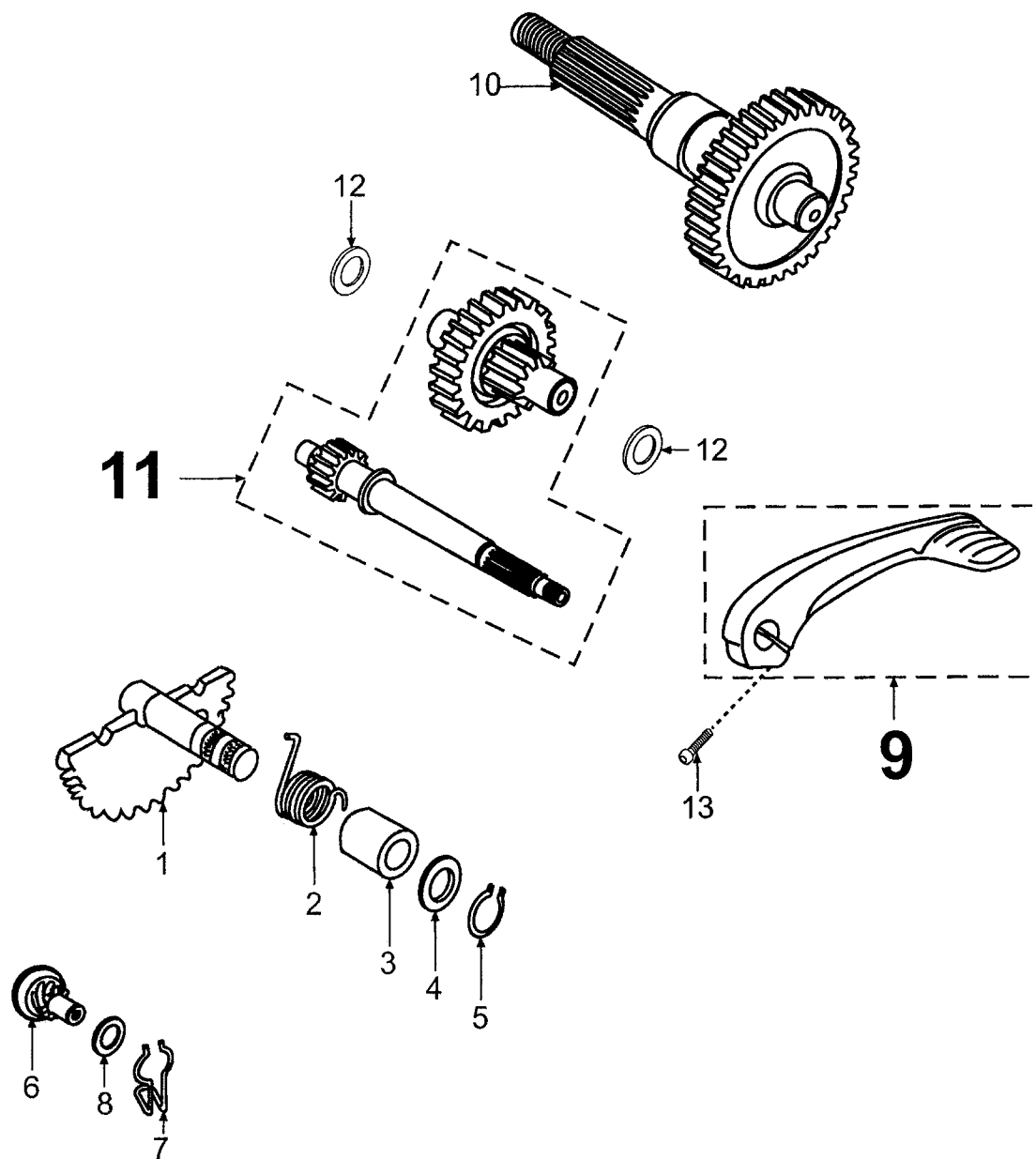


N° REF. C QTY DESCRIPTION

1	713347	1	KICK SPINDLE
2	713348	1	SPRING
3	713359	1	SPACER
4	713412	1	PLAIN WASHER 14,2-21-2
5	866214	1	EXTERNAL CIRCLIP 13-1
6	732802	1	DRIVEN GEAR
7	723421	1	FRICTION SPRING
8	724439	1	PLAIN WASHER 10,4-18-1
9	740345 *	1	KICK ARM
10	728385	1	FINAL SHAFT 47 D.
11	754168	1	PRIMARY SHAFT COUNTERSHAFT
12	723459	2	PLAIN WASHER 14,3-26-0,5
13	742073	1	HEAD CAP SCREW M6X1,00-25

GEARBOX-KICK STARTER

E 01



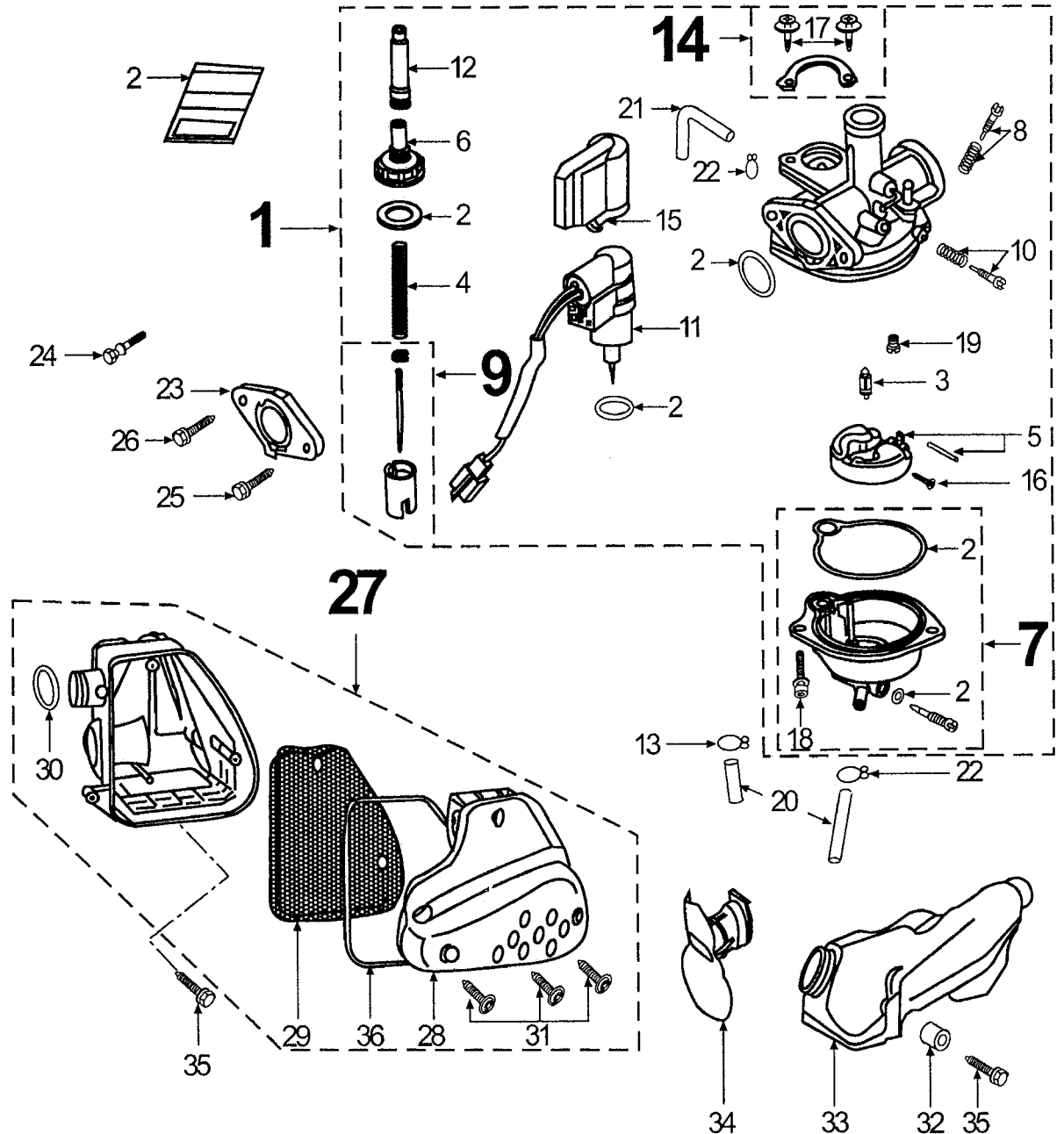


N° REF. C QTY DESCRIPTION

CARBURETOR

E 02

1	734422	1	CARBURETTOR PA 370
2	752423	1	GASKET SET
3	752417	1	FLOAT VALVE
4	752414	1	SPRING
5	752404	1	FLOAT SET
6	752412	1	TOP SET
7	752406	1	FLOAT CHAMBER SET
8	752408	1	MIXTURE ADJUSTING SCREW SET
9	752413	1	THROTTLE VALVE WITH NEEDLE
10	752407	1	STOP SCREW SET
11	752403	1	AUTOMATIC CHOKE
12	056310	1	CAP
13	752421	1	TUBE CLIP
14	752415	1	BRAKE PAD SET
15	752405	1	CAP
16	752422	1	FILLISTER CURVED HEAD
17	727859	2	FILLISTER-CURVED-WIDE HEAD 4-10
18	068150	2	FILLISTER-CURVED HEAD M4X0,70-15
19	752730	1	JET 72
20	061764	1	TUBE (PER METER)
21	752409	1	BREATHER HOSE
22	752410	2	TUBE CLIP
23	737077	1	CARBURETTOR GASKET
24	719921	1	DISMANTLED SCREW M6X1,00-28
25	706561	1	FLANGE SCREW M6X1,00-28
26	706565	1	FLANGE SCREW M6X1,00-50
27	730200	1	AIR CLEANER ASSY
28	730197	1	AIR CLEANER COVER
29	730199	1	FILTER ELEMENT
30	730201	1	O'RING SEAL 22,5X3
31	726456	3	ROUND-HEAD SCREW 4X0,70-14
32	730202	2	SPACER BUSCH
33	733614	1	DUCT AIR CLEANER CASE
34	734141	1	DUCT AIR CLEANER CASE
35	724076	2	SCREW HE M6X1,00-28
36	730359	1	COVER GASKET

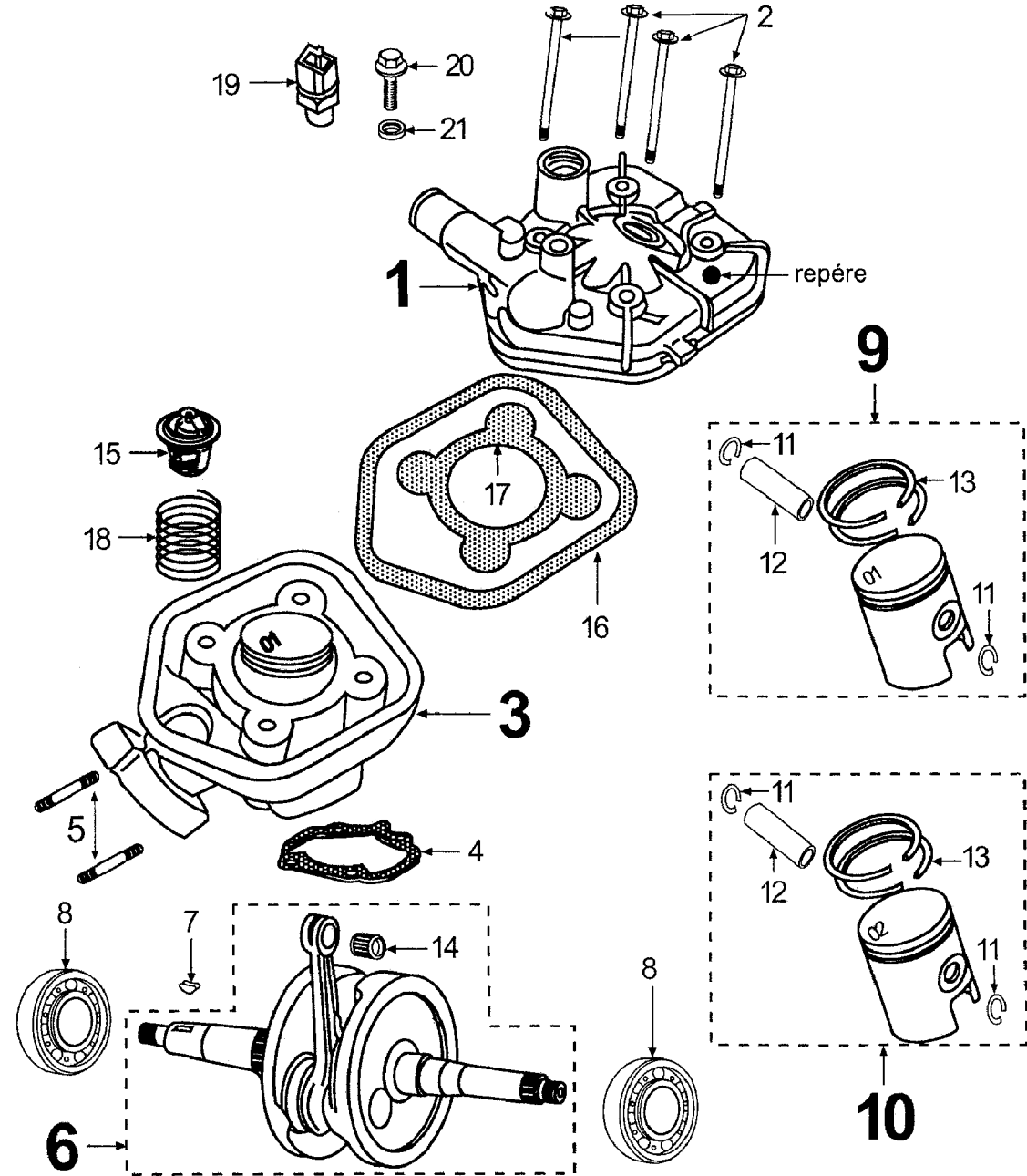


N° REF. C QTY DESCRIPTION

CRANKSHAFT CYLINDER

E 04

1	743018	1	CYLINDER HEAD ASSY
2	731428	4	SCREW WASHER
3	753038	1	CYLINDER/PISTON
4	737843	1	CYLINDER GASKET HEAD
5	723488	2	STUD M6X1,00-18/15
6	733487	1	CRANKSHAFT
7	711556	1	WOODRUFF KEY
8	722483	2	BALL BEARING 20-52-12
9	752230	1	PISTON ASSY (MARK 1;01;A1)
10	752231	1	PISTON ASSY (MARK 2;02;A2)
11	711998	2	SNAP RING
12	723397	1	PISTON PIN L=31
13	723396	2	PISTON RING SET
14	723493	1	NEEDLE BEARING CAGE 12-15-15
15	734401	1	THERMOSTAT
16	734414	1	CYLINDER HEAD GASKET
17	734415	1	CYLINDER HEAD GASKET
18	735006	1	SPRING
19	736678	1	TEMPERATURE PROBE
20	736786	1	HEXAGON SCREW M6X1,00-15
21	740008	1	COVER GASKET 6-14-1

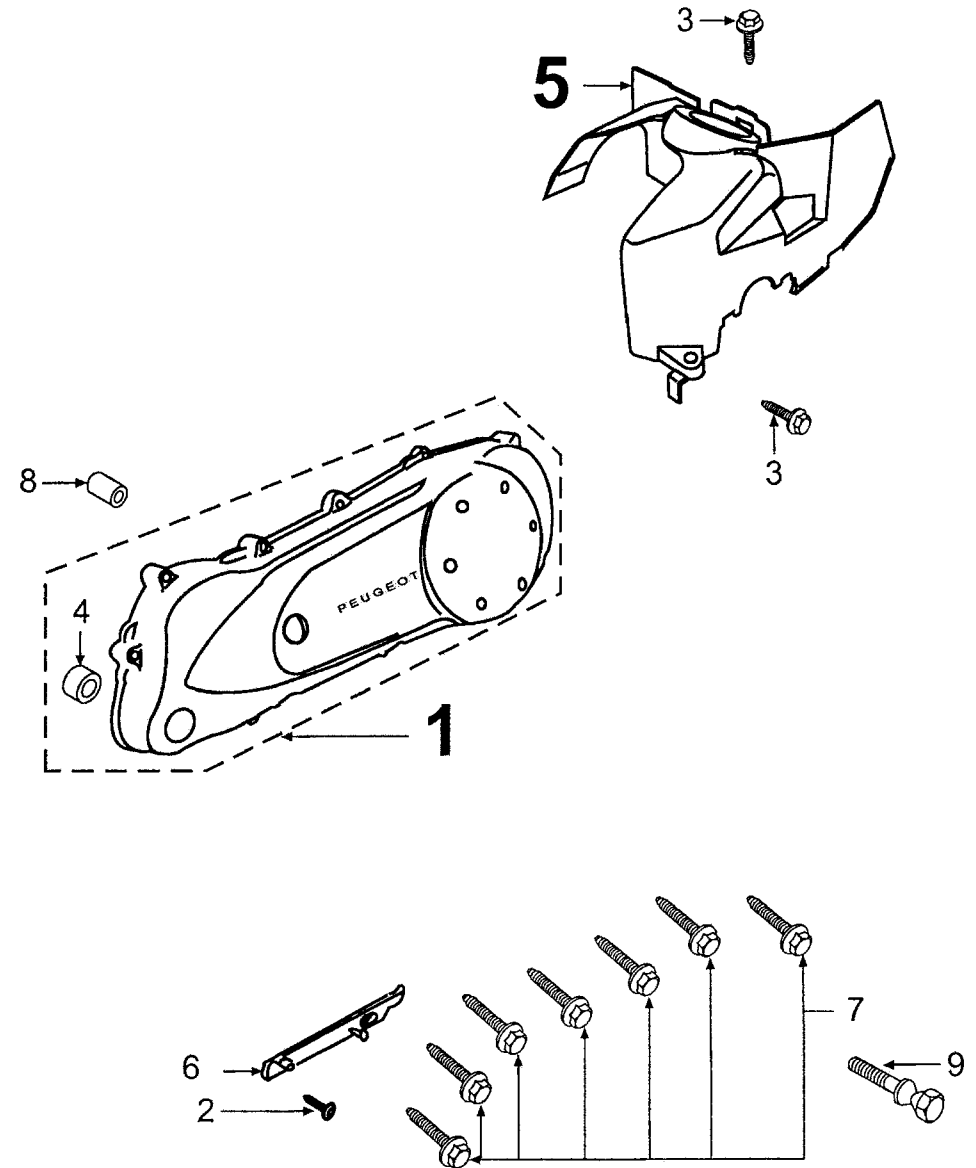


N° REF. C QTY DESCRIPTION

1	739050 *	1	TRANSMISSION COVER ASSY
2	727562	1	FILLISTER-CURVED-WIDE HEAD 6-12
3	730556	2	FLANGE SCREW 6X1,00-25
4	728849	1	SHOULDER 8-12-8
5	736352	1	HEAT PROTECTION
6	731161	1	CABLE GUIDE BRACKET
7	730329	7	SELF TAPING SCREW HE M6-40
8	706437	1	DOWEL PIN 10-20
9	727825	1	DISMANTLED SCREW M6X1,00-35

HOUSING COVER

E 05

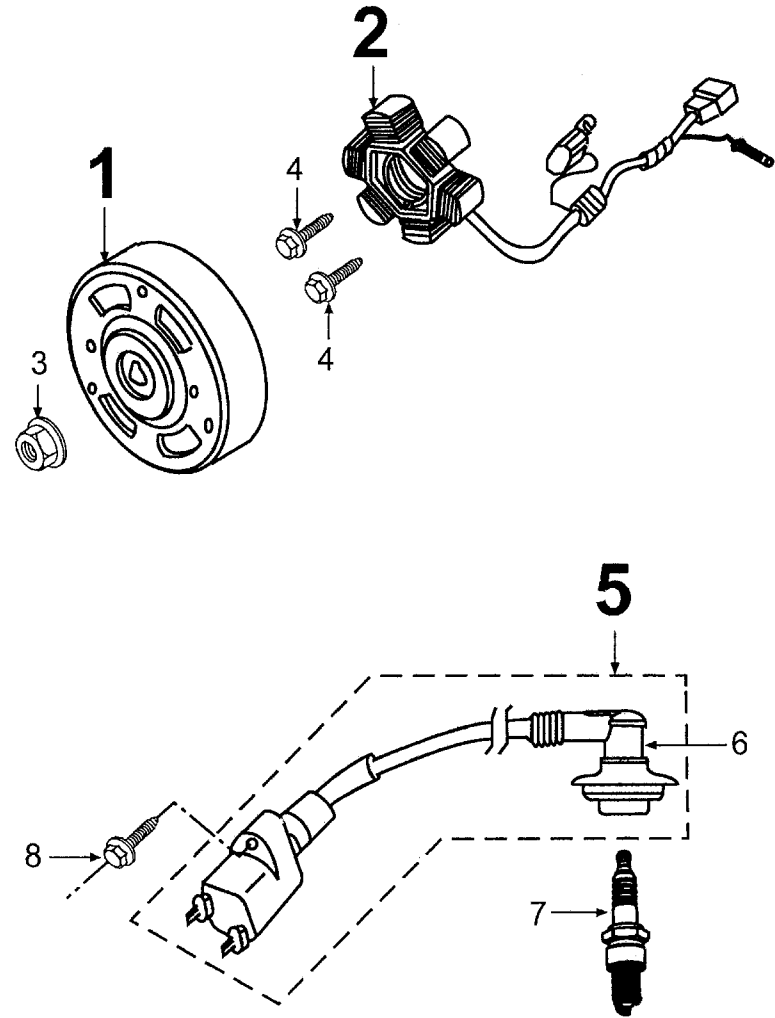


N° REF. C QTY DESCRIPTION

FLYWHEEL MAGNETO

E 06

1	740928	1	ROTOR
2	740929	1	STATOR ASSY
3	728042	1	FLANGE NUT M 10X1,25
4	723279	4	FLANGE SCREW M6X1,00-18
5	736982	1	OUTER COIL WITH WIRE
6	736952	1	WATERPROOF SUPPRESSOR (NGK)
7	736954	1	SPARK PLUG NGK BR 7 HS
8	705001	1	FLANGE SCREW M5X0,80-25

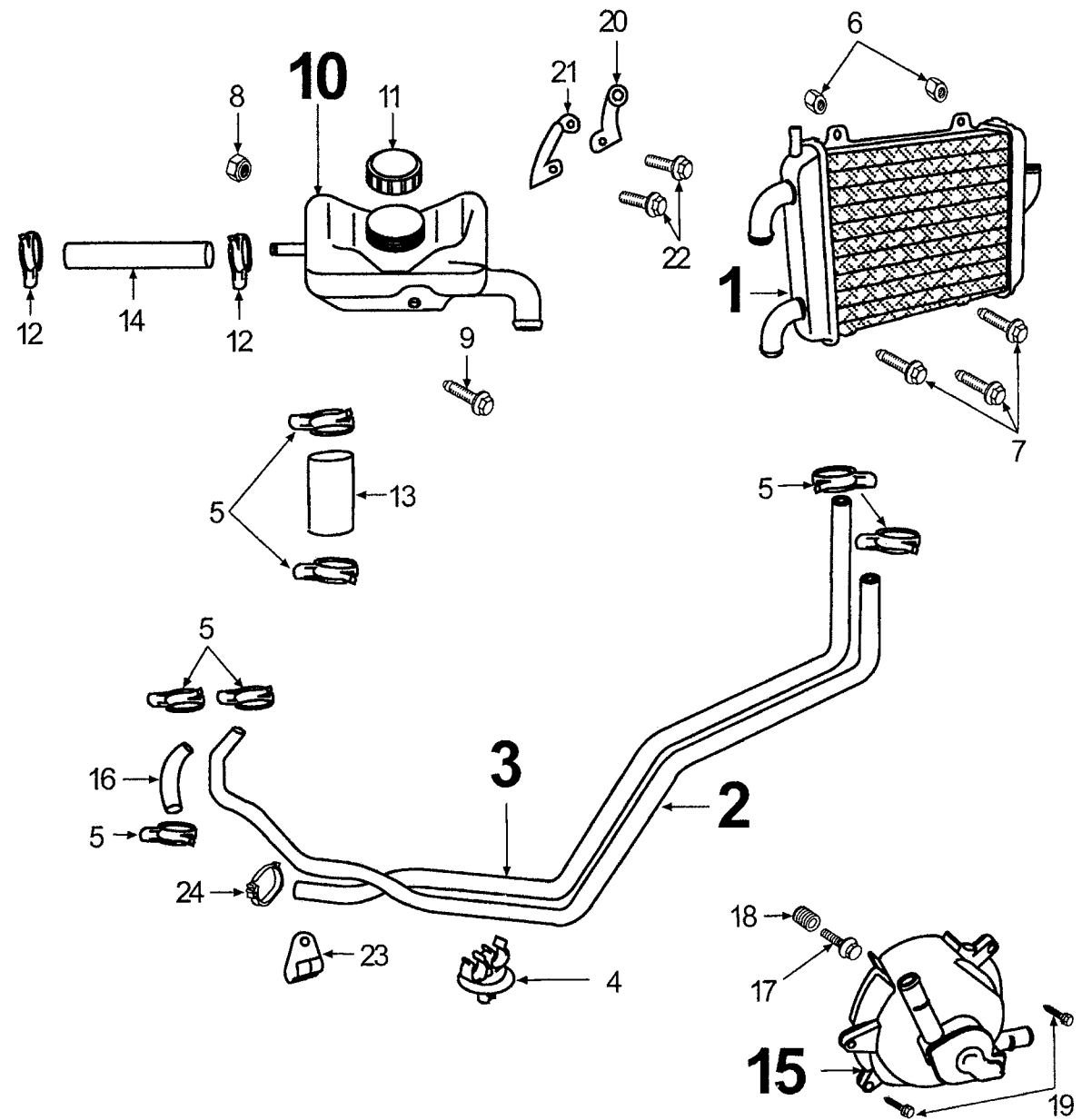


N° REF. C QTY DESCRIPTION

COOLING CIRCUIT

E 07

1	742747	1	RADIATOR WITH CAP
2	754179	1	TUBE COLD WATER
3	754180	1	TUBE WARM WATER
4	737625	1	BRACKET
5	736764	7	TUBE CLIP D=25
6	832085	2	HEXAGON NUT M5X0,80
7	718878	3	FLANGE SCREW 5X0,80-10
8	834007	2	LOCKNUT M5X0.80
9	743607	1	FLANGE SCREW RLXS M5X0,80-4,7
10	735640	1	WATERTANK
11	736667	1	CAP
12	736765	2	TUBE CLIP 1/2 D=14
13	736766	1	CONNECTING HOSE 25X17,2-75
14	736767	1	CONNECTING HOSE 14X7,4-130
15	743278	1	WATER PUMP
16	734427	1	PUMP-CYLINDER HOSE
17	706560	4	FLANGE SCREW M6X1,00-25
18	734930	4	DAMPER
19	730556	3	FLANGE SCREW 6X1,00-25
20	736583	1	LH BRACKET
21	736103	1	RH BRACKET
22	704937	2	FLANGE SCREW M6X1,00-12
23	737648	1	CLIP
24	738112	1	TUBE CLIP 16/27

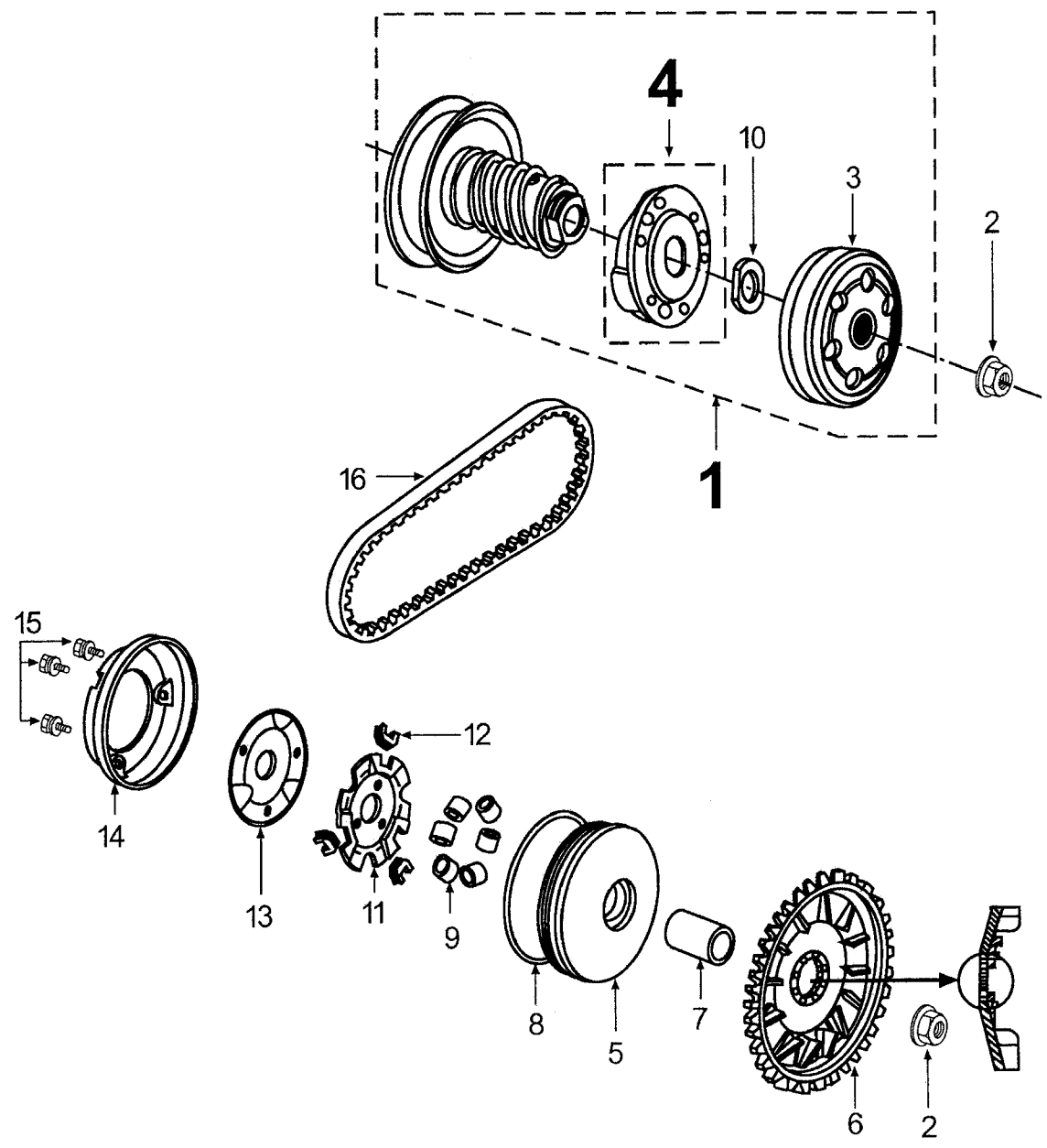


N° REF. C QTY DESCRIPTION

1	732775	1	DRIVEN PULLEY ASSY
2	728042	2	FLANGE NUT M 10X1,25
3	732774	1	OUTER CLUTCH
4	752805	1	CLUTCH ASSY
5	732594	1	MOVABLE DRIVE FACE
6	732801	1	KICK DRIVEN GEAR (FLUTED FLASK)
7	737591	1	DRIVE FACE BOSS L=38,6MM
8	732743	1	O'RING SEAL 81X1,5
9	732693	6	WEIGHT ROLLER D=7,5
10	706516	1	SPECIAL NUT 28
11	730358	1	RAMP
12	723584	3	RAMP GUIDE
13	737619	1	STOPPER EP. 5
14	732742	1	SHROUD
15	721009	3	HEXAGON SCREW M4X0,7-12
16	729171	1	V.BELT 18X8

OUTER CLUTCH Ø114 (6 HOLE)

E 08

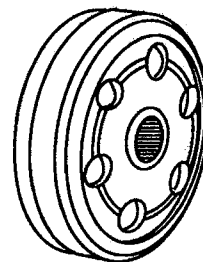


N° REF. C QTY DESCRIPTION

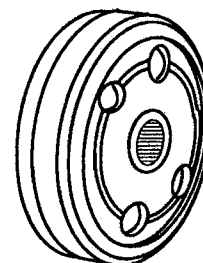
TRANSMISSION

E 09

1 E08 OUTER CLUTCH  $\phi$ 114 (6 HOLE)  
2 E10 OUTER CLUTCH  $\phi$ 114 (4 HOLE)



"ADLER"



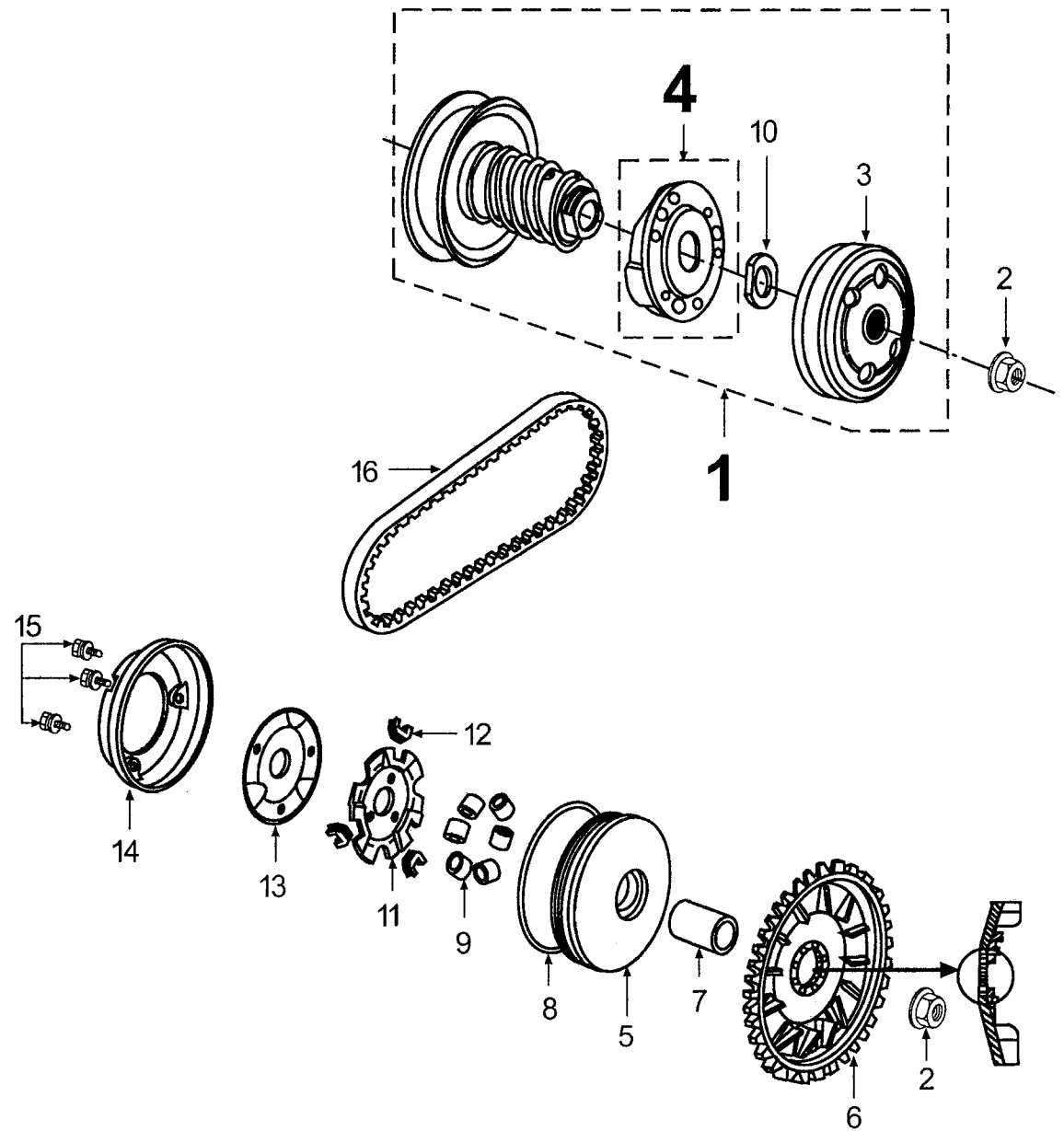
"GOLDENBEE"

N° REF. C QTY DESCRIPTION

1	746185	1	DRIVEN PULLEY ASSY
2	728042	2	FLANGE NUT M 10X1,25
3	752804	1	OUTER CLUTCH
4	752802	1	CLUTCH ASSY
5	732594	1	MOVABLE DRIVE FACE
6	732801	1	KICK DRIVEN GEAR (FLUTED FLASK)
7	737591	1	DRIVE FACE BOSS L=38,6MM
8	732743	1	O'RING SEAL 81X1,5
9	732693	6	WEIGHT ROLLER D=7,5
10	706516	1	SPECIAL NUT 28
11	730358	1	RAMP
12	723584	3	RAMP GUIDE
13	737619	1	STOPPER EP. 5
14	732742	1	SHROUD
15	721009	3	HEXAGON SCREW M4X0,7-12
16	729171	1	V.BELT 18X8

OUTER CLUTCH Ø114 (4 HOLE)

E 10



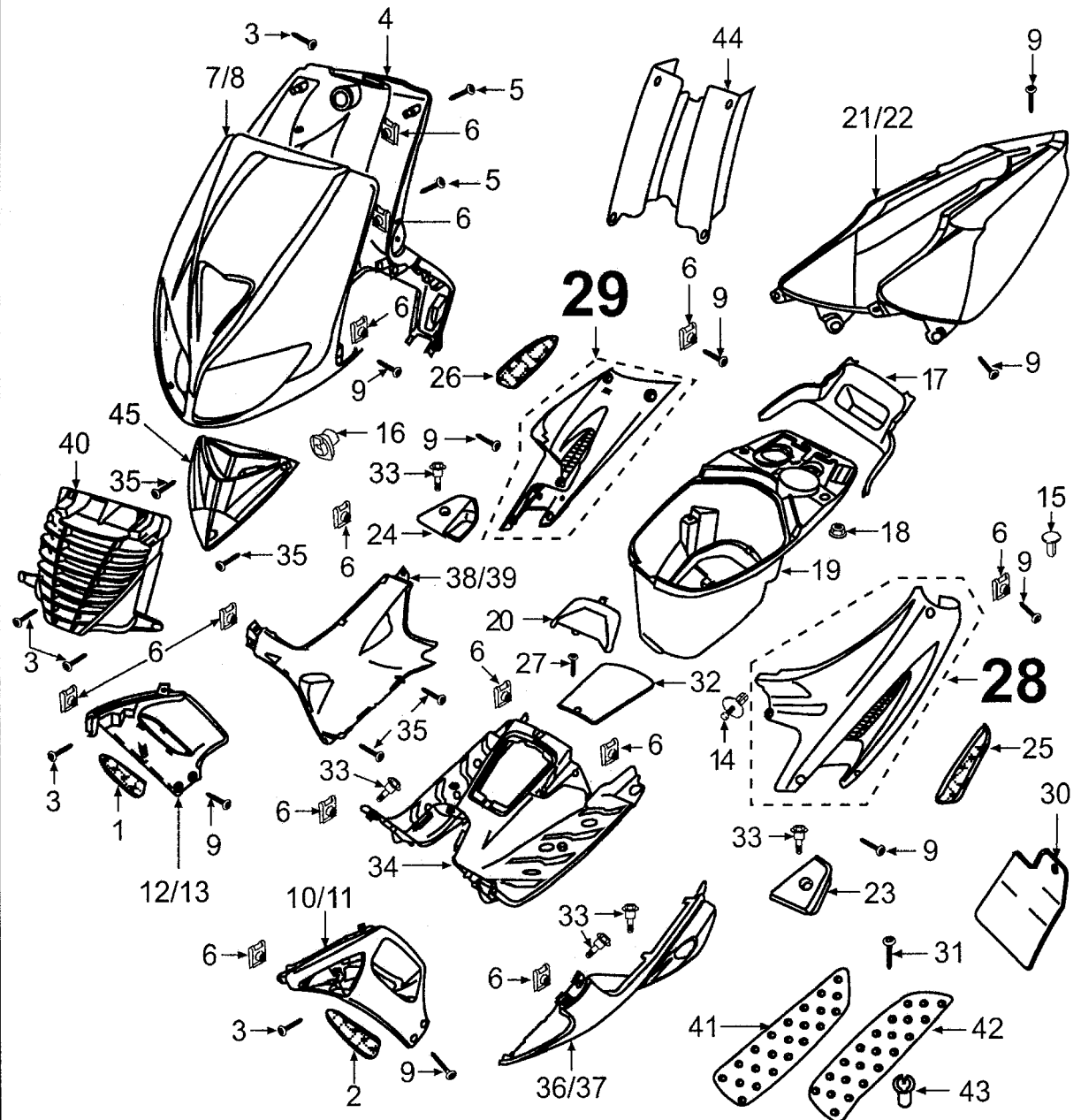


N° REF. C QTY DESCRIPTION

FAIRING-BOX

E 11

1	736300 *	1	RH. PROTECTING GRILLE
2	736301 *	1	LF. PROTECTING GRILLE
3	726456	4	ROUND-HEAD SCREW 4X0,70-14
4	734268 *	1	INNER COVER
5	727923	4	ROUND-HEAD SCREW 5X0,80-35
6	734241	16	CLIP NUT 5X0,80
7	742808 *	1	FRONT COVER (PAINTED)
8	744641 *	1	FRONT COVER (MASS TINTED)
9	743607	22	FLANGE SCREW RLXS M5X0,80-4,7
10	734270 *	1	LH RADIATOR AIR SCOOP (PAINTED)
11	734667 *	1	LH RADIATOR AIR SCOOP (MASS TINTED)
12	734271 *	1	RH RADIATOR AIR SCOOP (PAINTED)
13	734668 *	1	RH RADIATOR AIR SCOOP (MASS TINTED)
14	720777	1	PLASTIC RIVET
15	730606	2	RIVET 3,2-8
16	739334	3	FIBBER NUT
17	736039	1	BOX
18	837013	3	FLANGE NUT M6X1,00
19	734925	1	INNER BOX
20	734198	1	SPARK PLUG COVER
21	744791 *	1	REAR COVER (MASS TINTED)
22	744193 *	1	REAR COVER (PAINTED)
23	734652 *	1	LH. CAP FOOT REST
24	734653 *	1	RH. CAP FOOT REST
25	736037 *	1	LF. PROTECTING GRILLE
26	736038 *	1	RH. PROTECTING GRILLE
27	726207	1	ROUND-HEAD SCREW M5X0,80-14
28	737662 *	1	LH SIDE PANEL (MASS TINTED)
29	737661 *	1	RH SIDE PANEL (MASS TINTED)
30	737828	1	HEAT PROTECTION
31	728544	6	ROUND-HEAD SCREW 5X0,80-20
32	734287 *	1	CAP NUT
33	742719	6	SHOULDER SCREW M6X1,00-14
34	734277 *	1	FLOOR PANEL
35	726457	5	FILLISTER-CURVED-WIDE HEAD 4-14
36	734275 *	1	LH FLOOR BOARD (PAINTED)
37	734671 *	1	LH FLOOR BOARD (MASS TINTED)
38	734276 *	1	RH FLOOR BOARD (PAINTED)
39	734672 *	1	RH FLOOR BOARD (MASS TINTED)



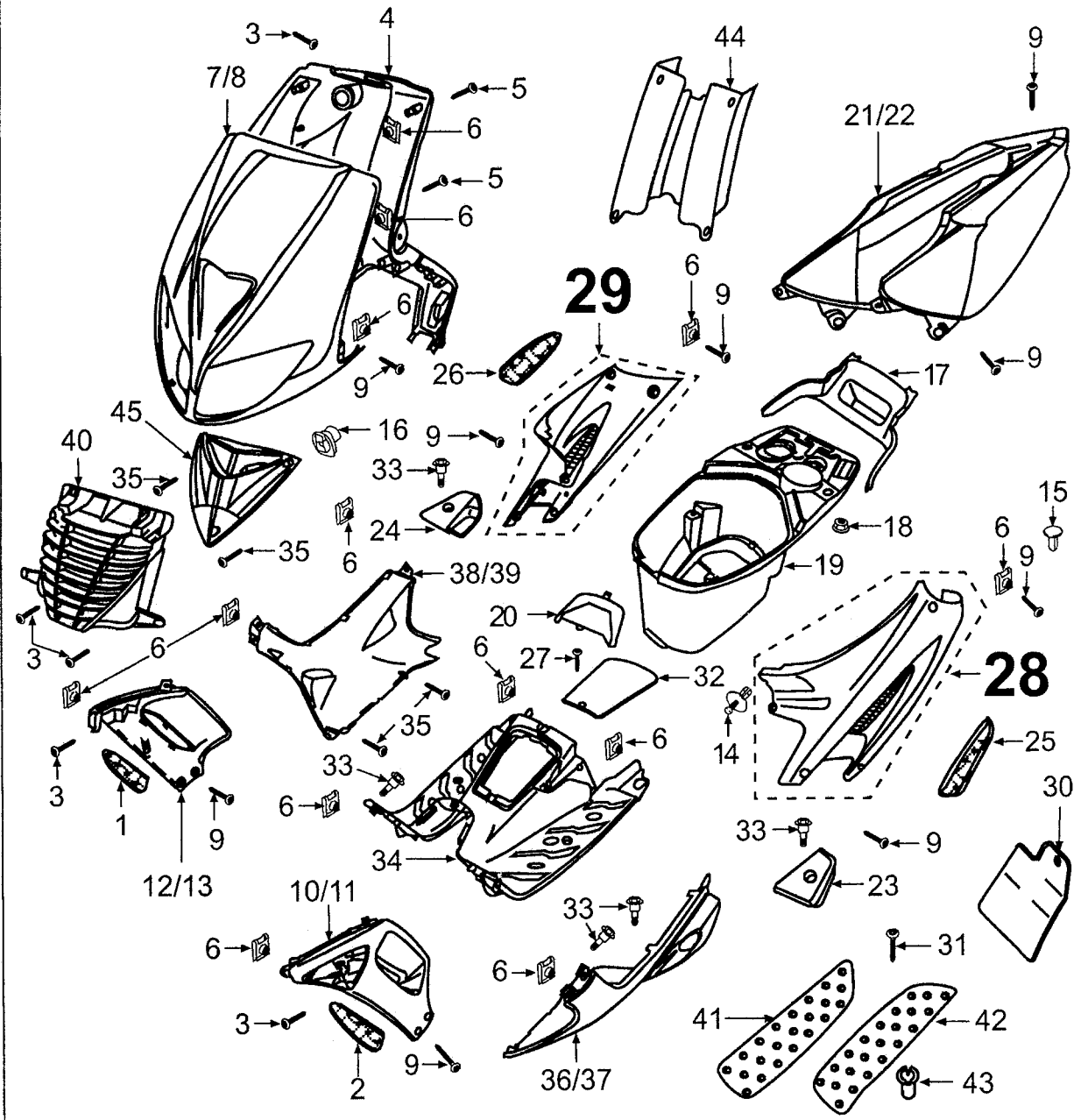
SEE NEXT PAGE E12

N° REF. C QTY DESCRIPTION

FAIRING-BOX

E 12

40	742839	1	PROTECTING GRILLE
41	741051	1	RH EMBELLISHER
42	741052	1	LH EMBELLISHER
43	741049	6	CLIP NUT M5X0,80-12
44	736848	1	HEAT PROTECTION
45	742816 *	1	SPARK PLUG COVER (PAINTED)

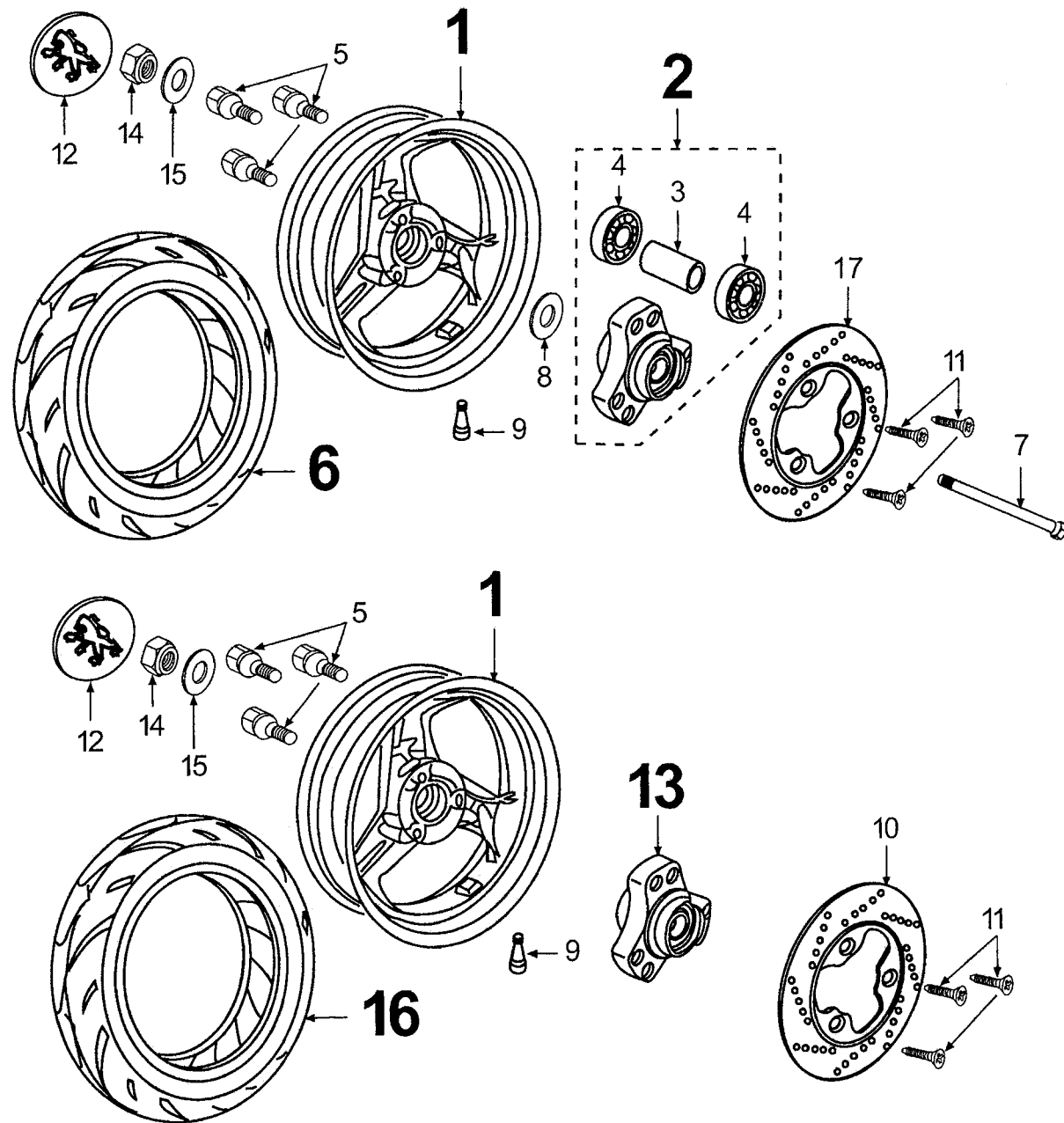


N° REF. C QTY DESCRIPTION

WHEELS

E 13

1	734568 *	2	FRONT WHEEL 12"
2	736290	1	FRONT HUB
3	735759	1	SPACER 17X25X24
4	735766	2	BALL BEARING 17-40-12
5	734567	6	SCREW
6	731017	1	TIRE 120/70-12 (NOT AVAILABLE)
7	737627	1	AXLE M14X1,50 - 140
8	737403	1	WASHER 17.1-27-1,5
9	718647	2	VALVE
10	734902	1	BRAKE DISC D=180
11	737756	6	FLAT HEAD SCREW FXC M8X1,25-20
12	736199	2	CAP D=40
13	734416	1	REAR HUB
14	728073	2	FLANGE NUT 14X1,50
15	732445	2	SPRING WASHER M 14
16	731027	1	TIRE 130/70-12 (NOT AVAILABLE)
17	744573	1	BRAKE DISC D=180

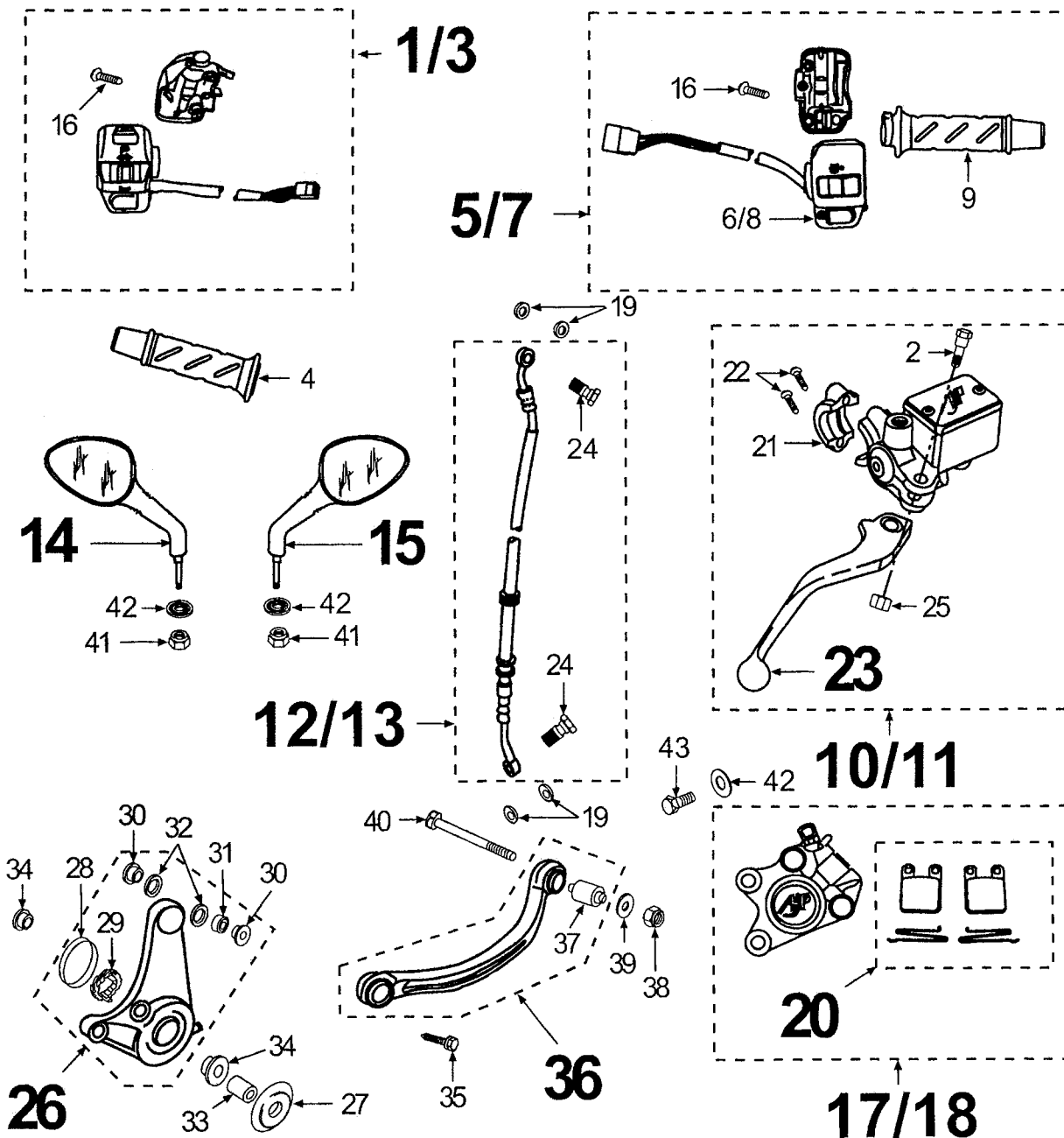


N° REF. C QTY DESCRIPTION

1	739681	1	LEFT REVERSING SWITCH
2	752867	2	PIN SCREW
3	754140	1	LH SWITCH WITH HARNESS
4	735171 *	1	LH GRIP RUBBER SLEEVE
5	738877	1	TURNING HANDLE
6	753222	1	RH SWITCH WITH HARNESS (NYLON)
7	753959	1	TURNING HANDLE
8	753789	1	RH SWITCH WITH HARNESS (METAL)
9	753030 *	1	TURNING HANDLE RH
10	736549	1	REAR MASTER CYLINDER + LEVER
11	733774	1	FRONT MASTER CYLINDER + LEVER "AJP"
12	736506	1	FRONT HYDRAULIC HOSE SET
13	736550	1	REAR HYDRAULIC HOSE SET
14	738977	1	LH REAR MIRROR
15	738978	1	RH REAR MIRROR
16	752874	4	FLAT-HEAD SCREW M5X0,80-22
17	736548	1	REAR BRAKE CALIPER ASSY
18	743386	1	FRONT BRAKE CALIPER ASSZ (AJP)
19	729739	8	COPPER GASKET 14-10-2
20	752816	2	BRAKE PAD SET
21	733796	2	TUBE CLIP 1/2
22	742073	4	HEAD CAP SCREW M6X1,00-25
23	752868	2	RH BRAKE LEVER
24	753078	4	HOSE FITTING SCREW L=18
25	710374	2	LOCKNUT M6X1.00
26	736423	1	BRAKE CALLIPER BRACKET
27	736171	1	CUP WITH SEAL
28	735728	1	OIL SEAL 45-55-7
29	736441	1	DRIVER 28 TOOTH-TEETH
30	728472	2	SHOULDER SPACER
31	728473	1	SPACER 8,3X14-14
32	735311	2	O'RING SEAL 12X1,2
33	734610	1	SPACER 17X22X35
34	736024	2	BUSH TORQUE LINK
35	737404	1	HEXAGON SCREW HM8X1,25-30
36	742795	1	BRACKET
37	736101	1	SILENTBLOCK
38	834012	1	FLANGE NUT M10X1,50
39	731250	1	PLAIN WASHER 10,25-25-2

**BRAKE CALIPER-MIRROR-GRIP**

**E 15**



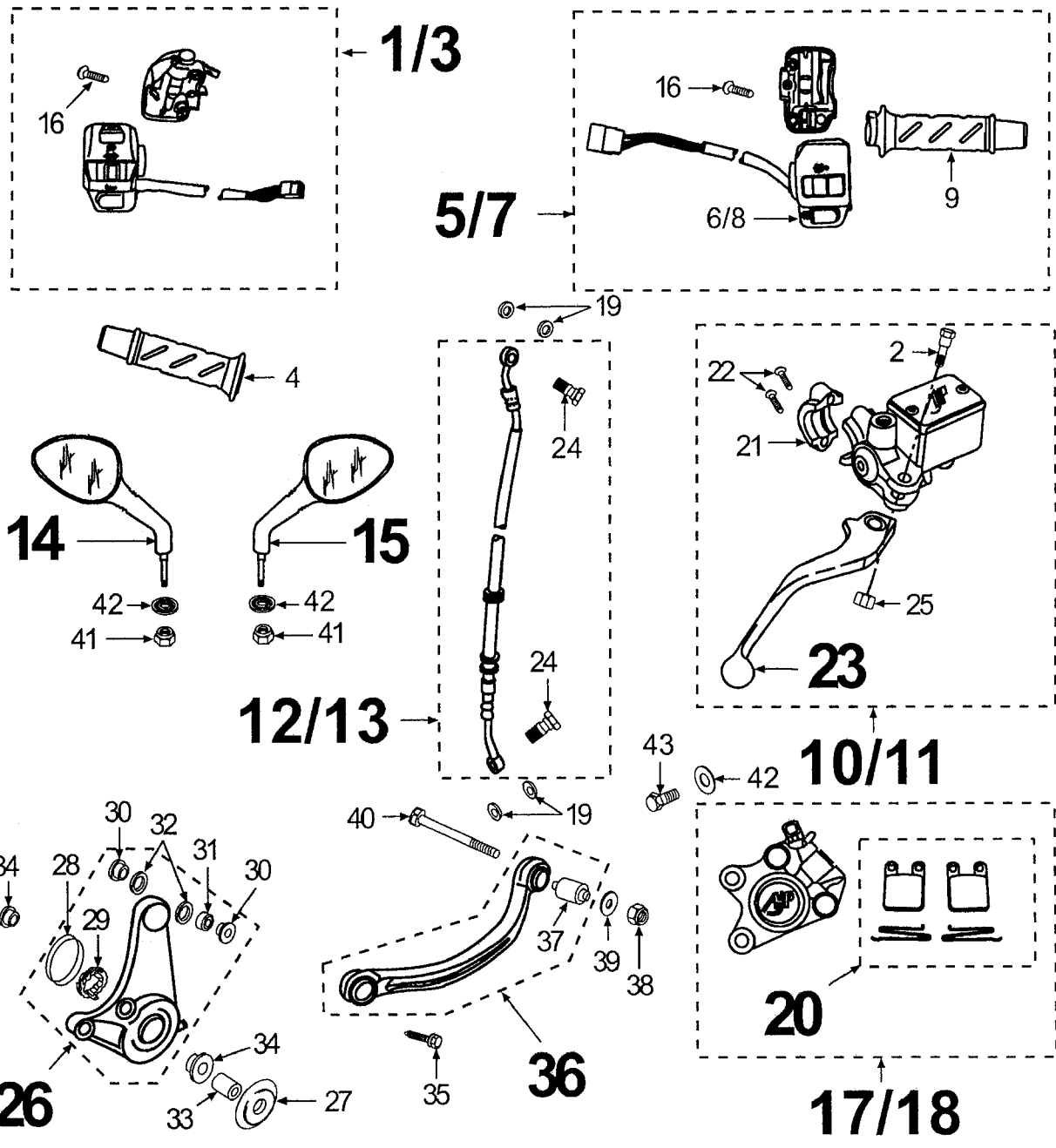
SEE NEXT PAGE E16

N° REF. C QTY DESCRIPTION

40	735999	1	HEXAGON SCREW M10X1,50-100
41	750761	2	LOCKNUT M8X1,25
42	725083	6	CONICAL WASHER 8,4-16-1,4
43	710296	4	HEXAGON SCREW M8X1,25-30

**BRAKE CALIPER-MIRROR-GRIP**

**E 16**

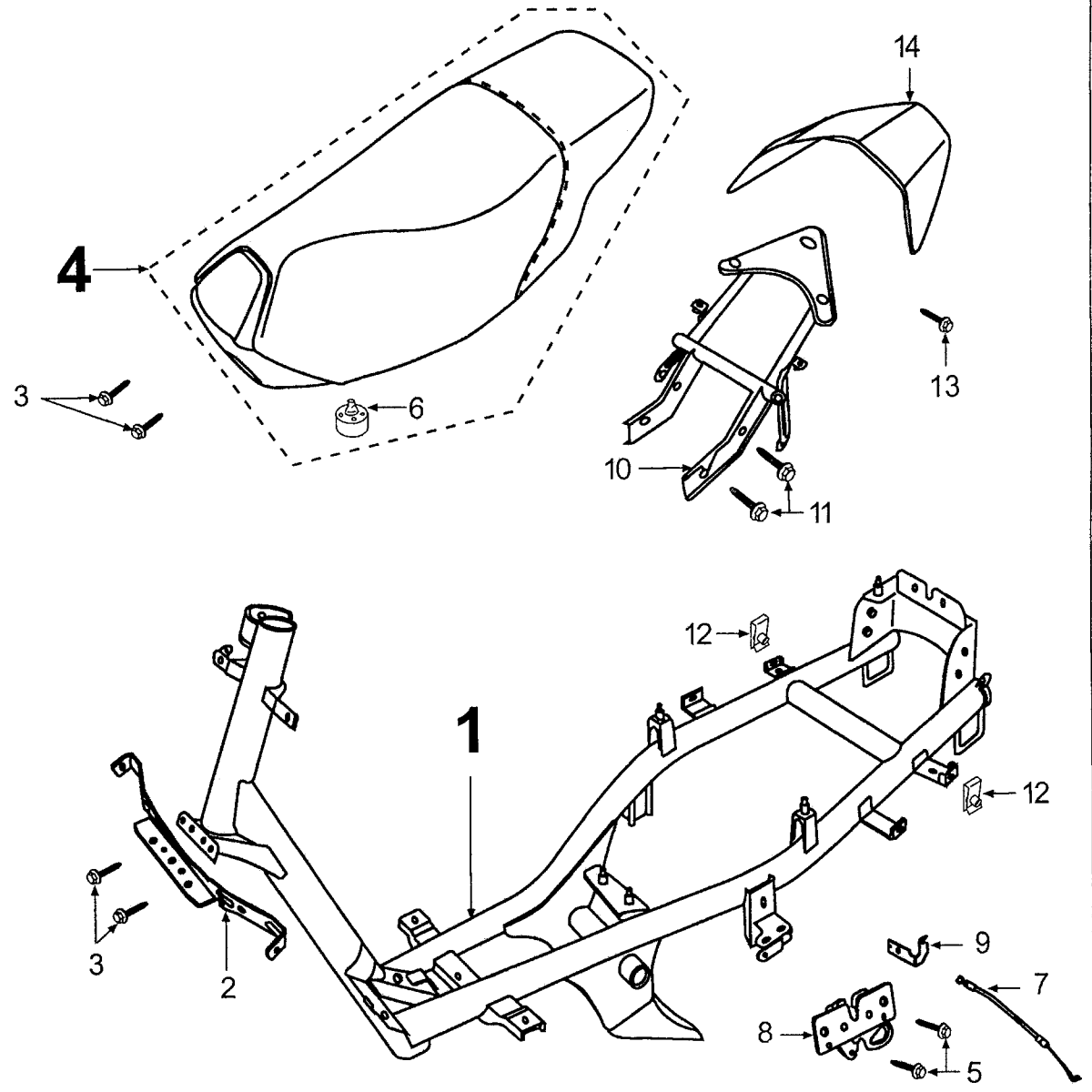


N° REF. C QTY DESCRIPTION

- 1 741476 1 FRAME (COIL FRONT FRAME)
- 2 735143 1 HOLDER BRACKET
- 3 704937 4 FLANGE SCREW M6X1,00-12
- 4 734827 \* 1 SADDLE
- 5 742719 2 SHOULDER SCREW M6X1,00-14
- 6 752664 3 RUBBER STOP
- 7 744546 1 SADDLE LOCK CABLE
- 8 734197 1 LOCK-PLATE
- 9 740496 1 BRACKET
- 10 743477 1 CARRIER
- 11 705096 4 FLANGE SCREW M8X1,25-14
- 12 734241 4 CLIP NUT 5X0,80
- 13 726207 3 ROUND-HEAD SCREW M5X0,80-14
- 14 743353 \* 1 CARRIER COVER (PAINTED)

FRAME-SADDLE- CARRIER

F 01

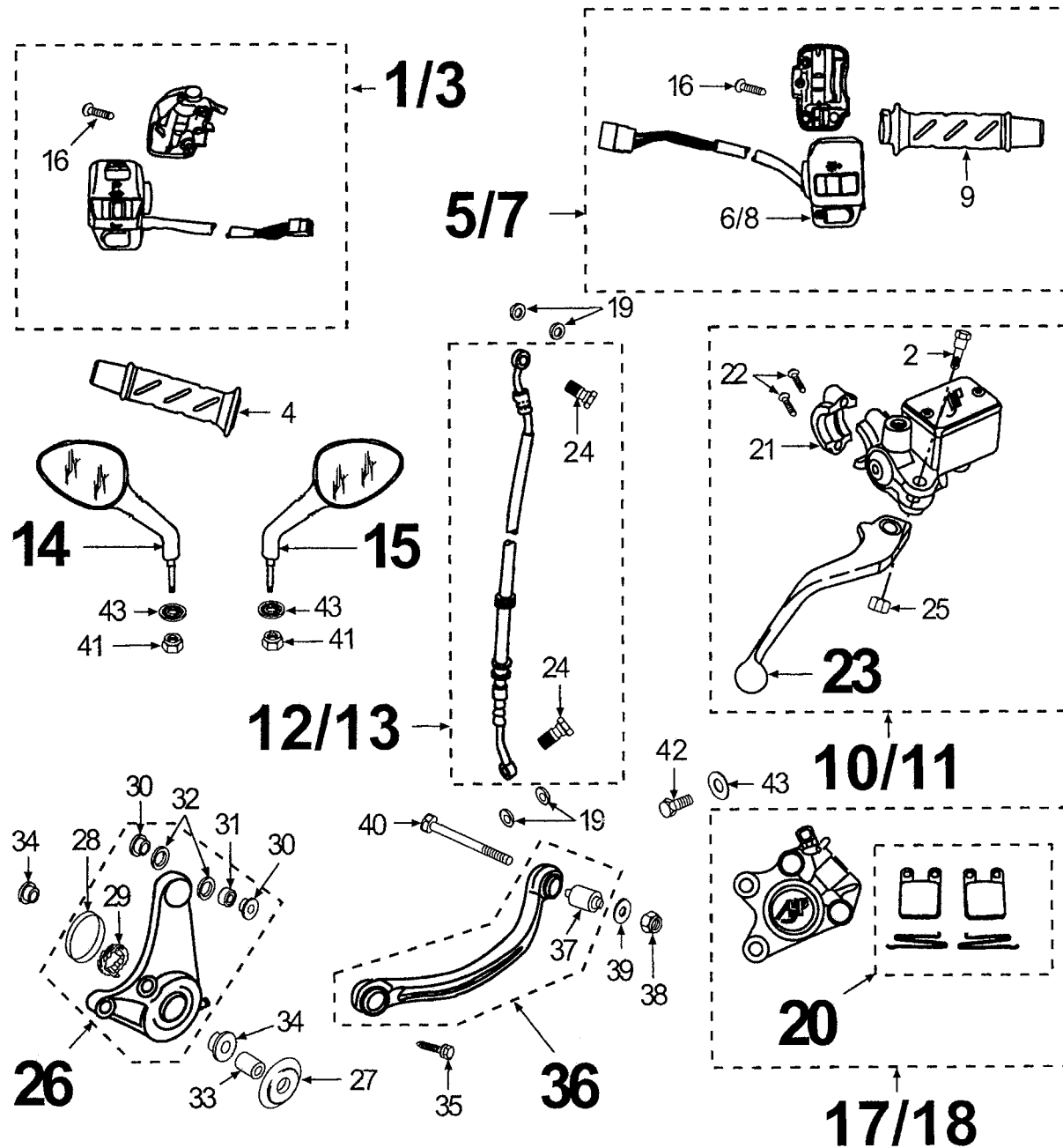


N° REF. C QTY DESCRIPTION

1	739681	1	LEFT REVERSING SWITCH
2	752867	2	PIN SCREW
3	754140	1	LH SWITCH WITH HARNESS
4	735171 *	1	LH GRIP RUBBER SLEEVE
5	738877	1	TURNING HANDLE
6	753222	1	RH SWITCH WITH HARNESS (NYLON)
7	753959	1	TURNING HANDLE
8	753789	1	RH SWITCH WITH HARNESS (METAL)
9	753030 *	1	TURNING HANDLE RH
10	736549	1	REAR MASTER CYLINDER + LEVER
11	733774	1	FRONT MASTER CYLINDER + LEVER "AJP"
12	736506	1	FRONT HYDRAULIC HOSE SET
13	736550	1	REAR HYDRAULIC HOSE SET
14	741129	1	LH REAR MIRROR
15	741130	1	RH REAR MIRROR
16	752874	4	FLAT-HEAD SCREW M5X0,80-22
17	742617	1	REAR BRAKE CALIPER ASSY *AJP*
18	743384	1	FRONT BRAKE CALIPER ASSZ (AJP)
19	729739	8	COPPER GASKET 14-10-2
20	752816	2	BRAKE PAD SET
21	733796	2	TUBE CLIP 1/2
22	742073	4	HEAD CAP SCREW M6X1,00-25
23	752868	2	RH BRAKE LEVER
24	753078	4	HOSE FITTING SCREW L=18
25	710374	2	LOCKNUT M6X1.00
26	736423	1	BRAKE CALLIPER BRACKET
27	736171	1	CUP WITH SEAL
28	735728	1	OIL SEAL 45-55-7
29	736441	1	DRIVER 28 TOOTH-TEETH
30	728472	2	SHOULDER SPACER
31	728473	1	SPACER 8,3X14-14
32	735311	2	O'RING SEAL 12X1,2
33	734610	1	SPACER 17X22X35
34	736024	2	BUSH TORQUE LINK
35	737404	1	HEXAGON SCREW HM8X1,25-30
36	742795	1	BRACKET
37	736101	1	SILENTBLOCK
38	834012	1	FLANGE NUT M10X1,50
39	731250	1	PLAIN WASHER 10,25-25-2

BRAKE CALIPER-MIRROR-GRIP

F 02

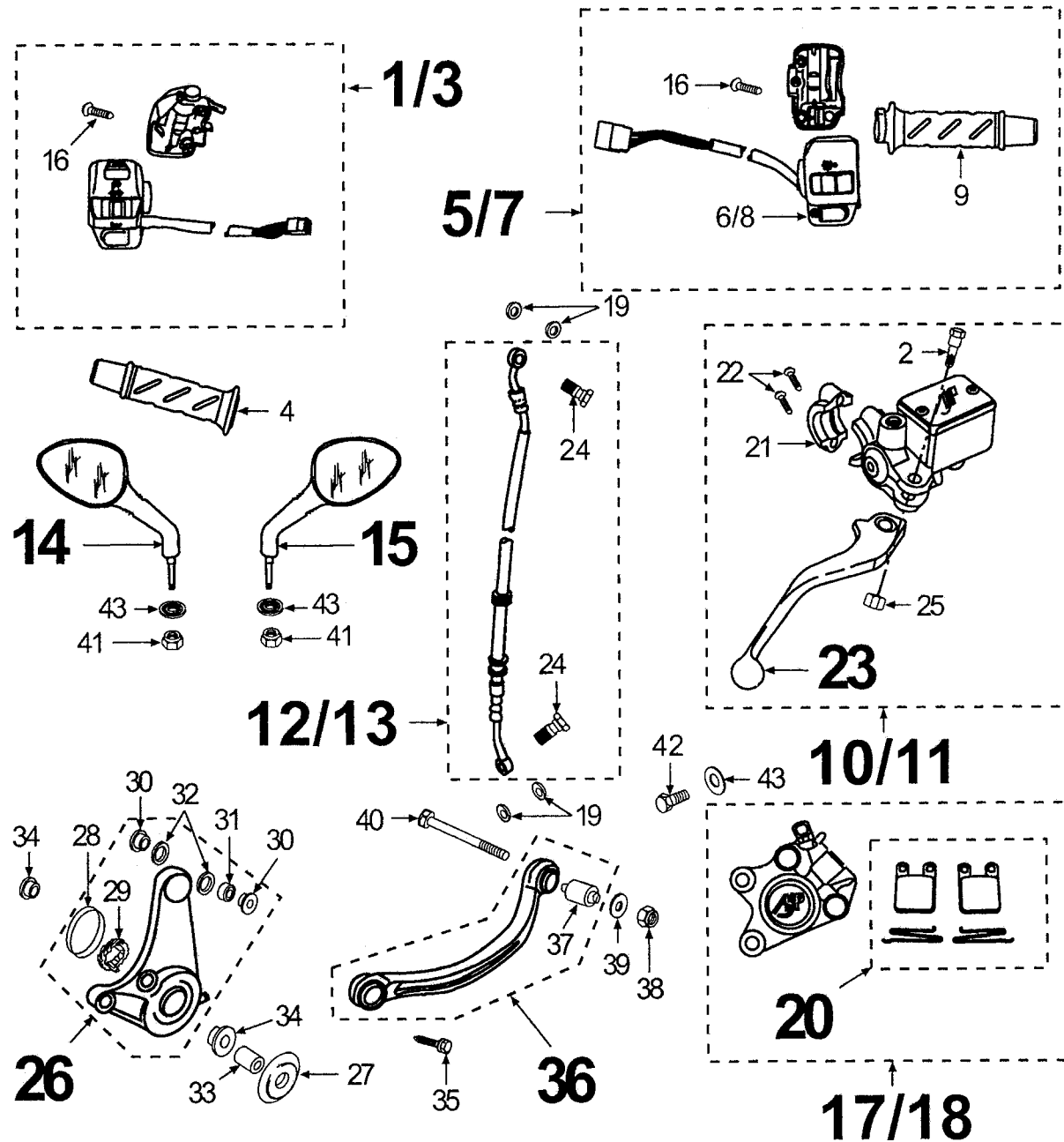


N° REF. C QTY DESCRIPTION

40	735999	1	HEXAGON SCREW M10X1,50-100
41	750761	2	LOCKNUT M8X1,25
42	710296	4	HEXAGON SCREW M8X1,25-30
43	725083	6	CONICAL WASHER 8,4-16-1,4

**BRAKE CALIPER-MIRROR-GRIP**

**F 03**



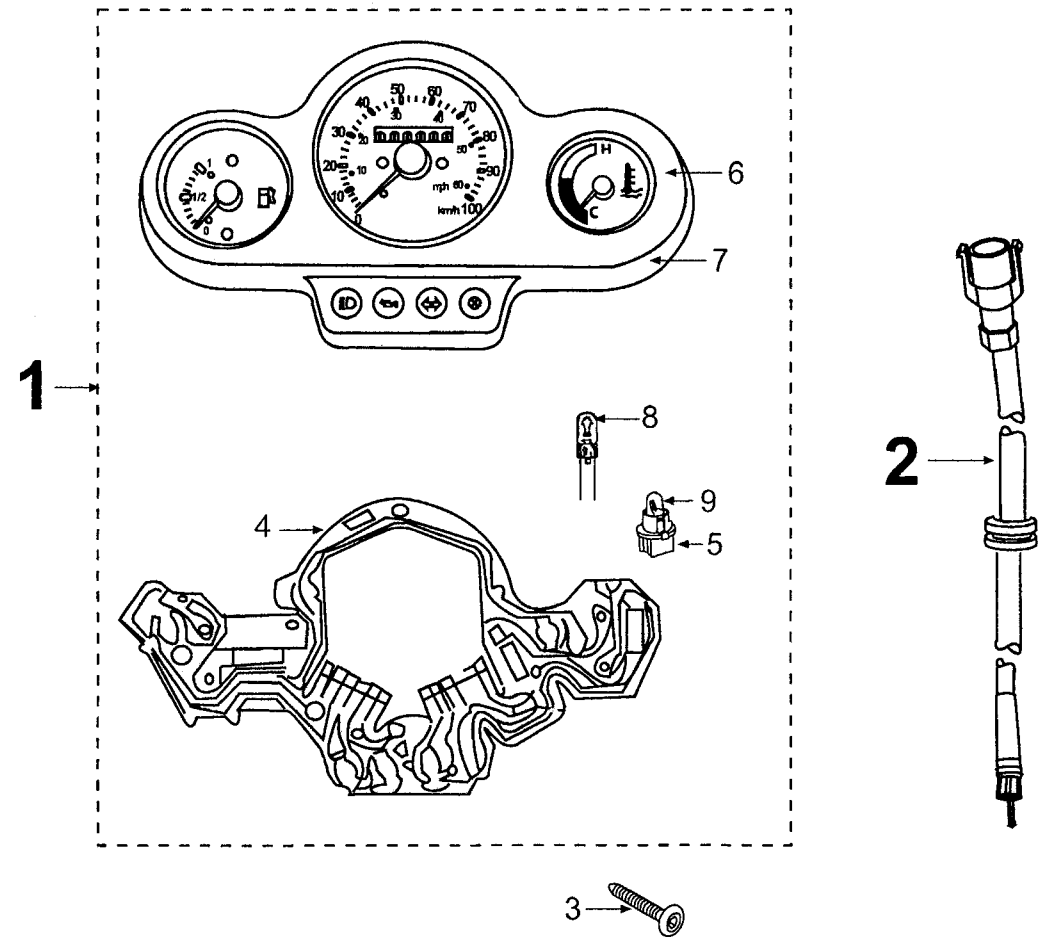


N° REF. C QTY DESCRIPTION

1	742704	1	SPEEDOMETER
2	736610	1	SPEEDOMETER CABLE
3	726479	4	ROUND-HEAD SCREW SP4-10
4	753062	1	PRINTED CIRCUIT
5	752110	6	BULB HOLDER
6	753064	1	LENS
7	753063	1	STRIP
8	753065	1	LED
9	750553	6	WHITE BULB 12 V-1,2 W

SPEEDOMETER

F 08

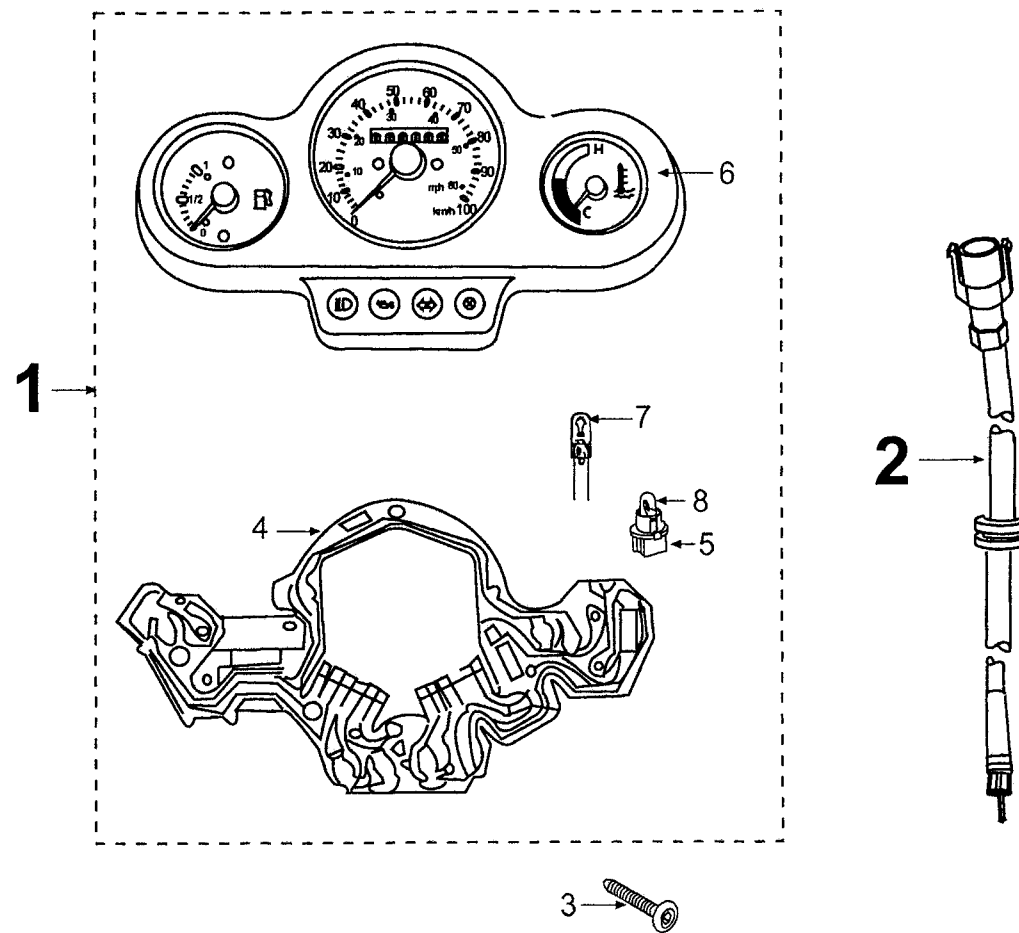


N° REF. C QTY DESCRIPTION

1	746105	1	SPEEDOMETER
2	736610	1	SPEEDOMETER CABLE
3	726479	4	ROUND-HEAD SCREW SP4-10
4	753062	1	PRINTED CIRCUIT
5	752110	6	BULB HOLDER
6	753064	1	LENS
7	753065	1	LED
8	750553	6	WHITE BULB 12 V-1,2 W

SPEEDOMETER

F 11

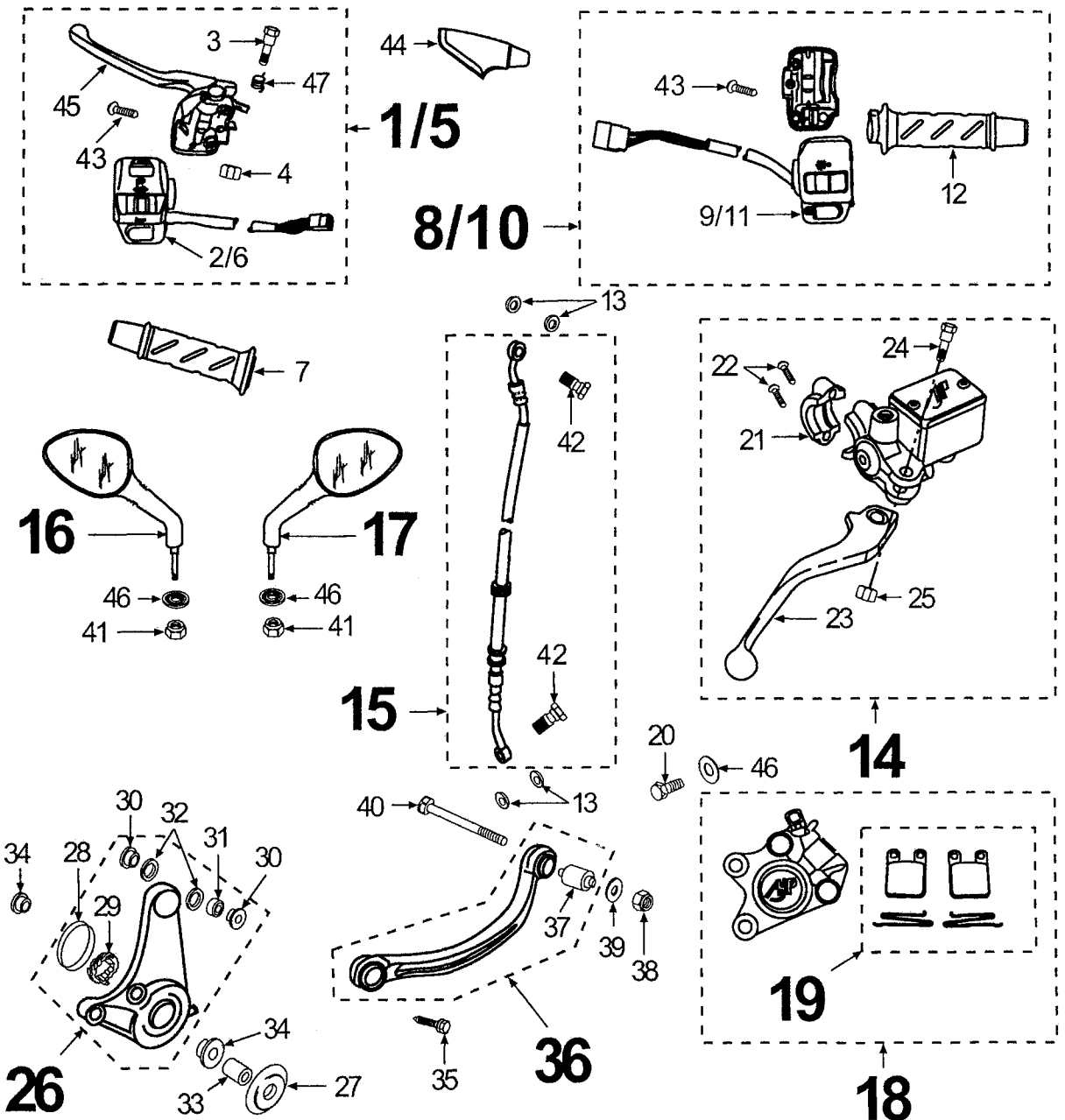


N° REF. C QTY DESCRIPTION

1	744158	1	BRAKE LEVER+BRACKET
2	739681	1	LEFT REVERSING SWITCH
3	752875	1	PIN SCREW
4	837013	1	FLANGE NUT M6X1,00
5	744161	1	BRAKE LEVER+BRACKET
6	754140	1	LH SWITCH WITH HARNESS
7	735171 *	1	LH GRIP RUBBER SLEEVE
8	738877	1	TURNING HANDLE
9	753222	1	RH SWITCH WITH HARNESS (NYLON)
10	753959	1	TURNING HANDLE
11	753789	1	RH SWITCH WITH HARNESS (METAL)
12	753030 *	1	TURNING HANDLE RH
13	729739	4	COPPER GASKET 14-10-2
14	733774	1	FRONT MASTER CYLINDER + LEVER"AJP"
15	736506	1	FRONT HYDRAULIC HOSE SET
16	741129	1	LH REAR MIRROR
17	741130	1	RH REAR MIRROR
18	743384	1	FRONT BRAKE CALIPER ASSZ (AJP)
19	752816	1	BRAKE PAD SET
20	710296	2	HEXAGON SCREW M8X1,25-30
21	733796	1	TUBE CLIP 1/2
22	742073	2	HEAD CAP SCREW M6X1,00-25
23	752868	1	RH BRAKE LEVER
24	752867	1	PIN SCREW
25	710374	1	LOCKNUT M6X1.00
26	736423	1	BRAKE CALLIPER BRACKET
27	736171	1	CUP WITH SEAL
28	735728	1	OIL SEAL 45-55-7
29	736441	1	DRIVER 28 TOOTH-TEETH
30	728472	2	SHOULDER SPACER
31	728473	1	SPACER 8,3X14-14
32	735311	2	O'RING SEAL 12X1,2
33	734610	1	SPACER 17X22X35
34	736024	2	BUSH TORQUE LINK
35	737404	1	HEXAGON SCREW HM8X1,25-30
36	742795	1	BRACKET
37	736101	1	SILENTBLOCK
38	834012	1	FLANGE NUT M10X1,50
39	731250	1	PLAIN WASHER 10,25-25-2

BRAKE CALIPER-MIRROR-GRIP

F 12



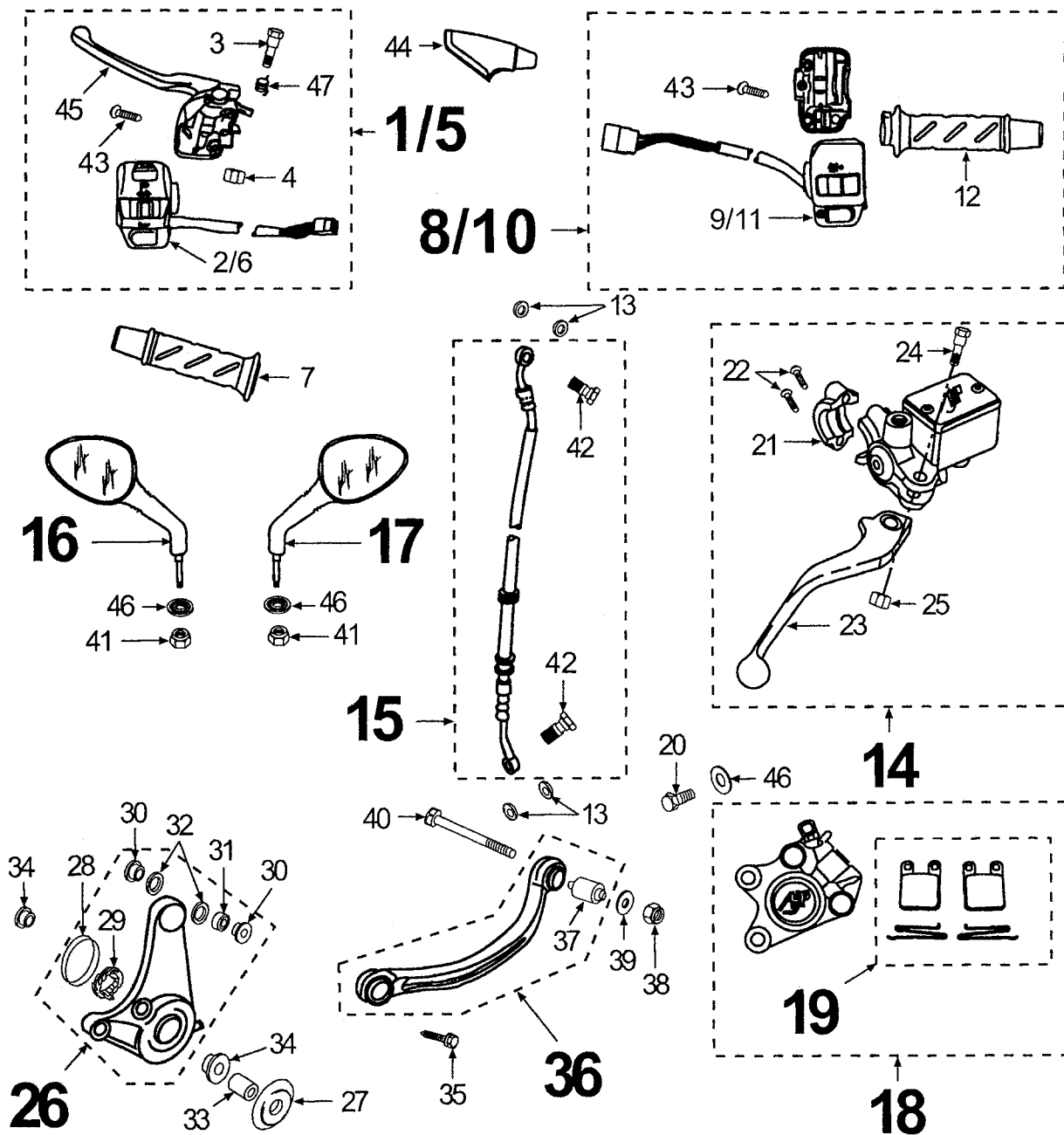
SEE NEXT PAGE F13

N° REF. C QTY DESCRIPTION

40	735999	1	HEXAGON SCREW M10X1,50-100
41	750761	2	LOCKNUT M8X1,25
42	753078	2	HOSE FITTING SCREW L=18
43	752874	4	FLAT-HEAD SCREW M5X0,80-22
44	738035	1	SLEEVE
45	752056 *	1	LH BRAKE LEVER
46	725083	4	CONICAL WASHER 8,4-16-1,4
47	750222	1	LEVER SPRING

BRAKE CALIPER-MIRROR-GRIP

F 13

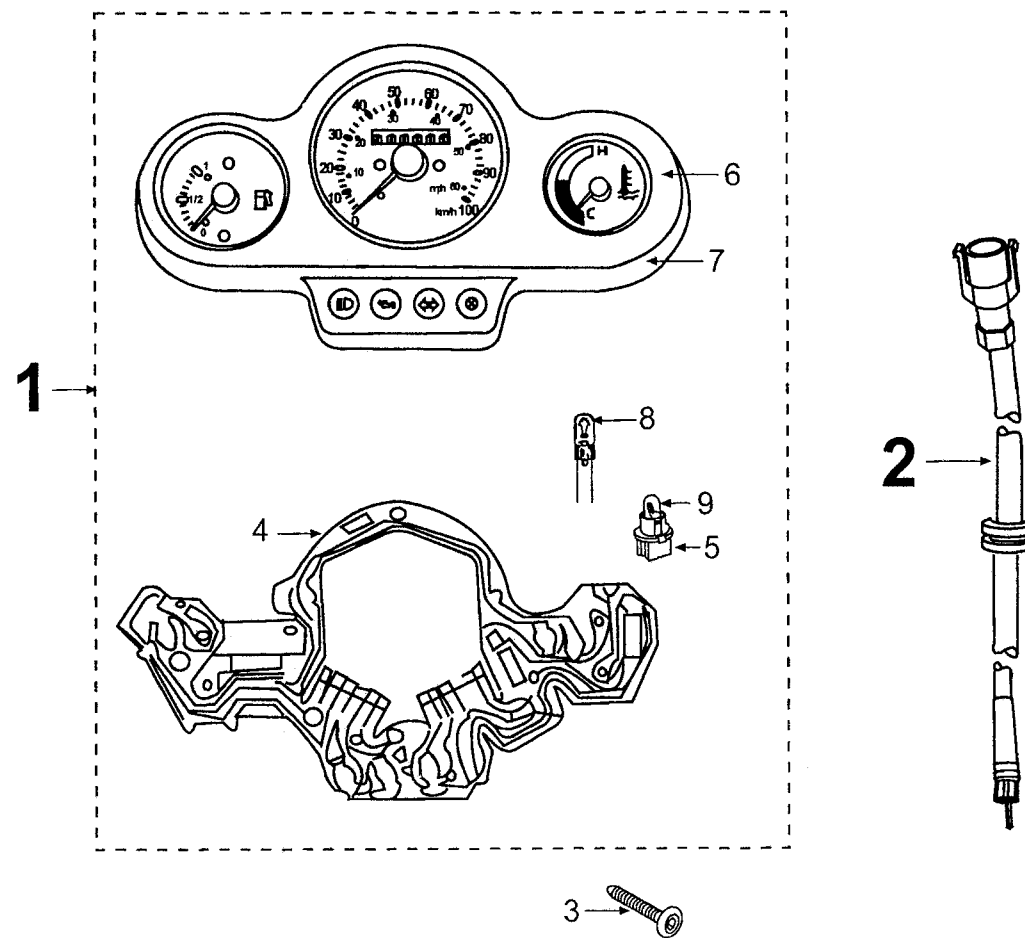


N° REF. C QTY DESCRIPTION

1	742705	1	SPEEDOMETER
2	736610	1	SPEEDOMETER CABLE
3	726479	4	ROUND-HEAD SCREW SP4-10
4	753062	1	PRINTED CIRCUIT
5	752110	6	BULB HOLDER
6	753064	1	LENS
7	753063	1	STRIP
8	753065	1	LED
9	750553	6	WHITE BULB 12 V-1,2 W

SPEEDOMETER

F 14

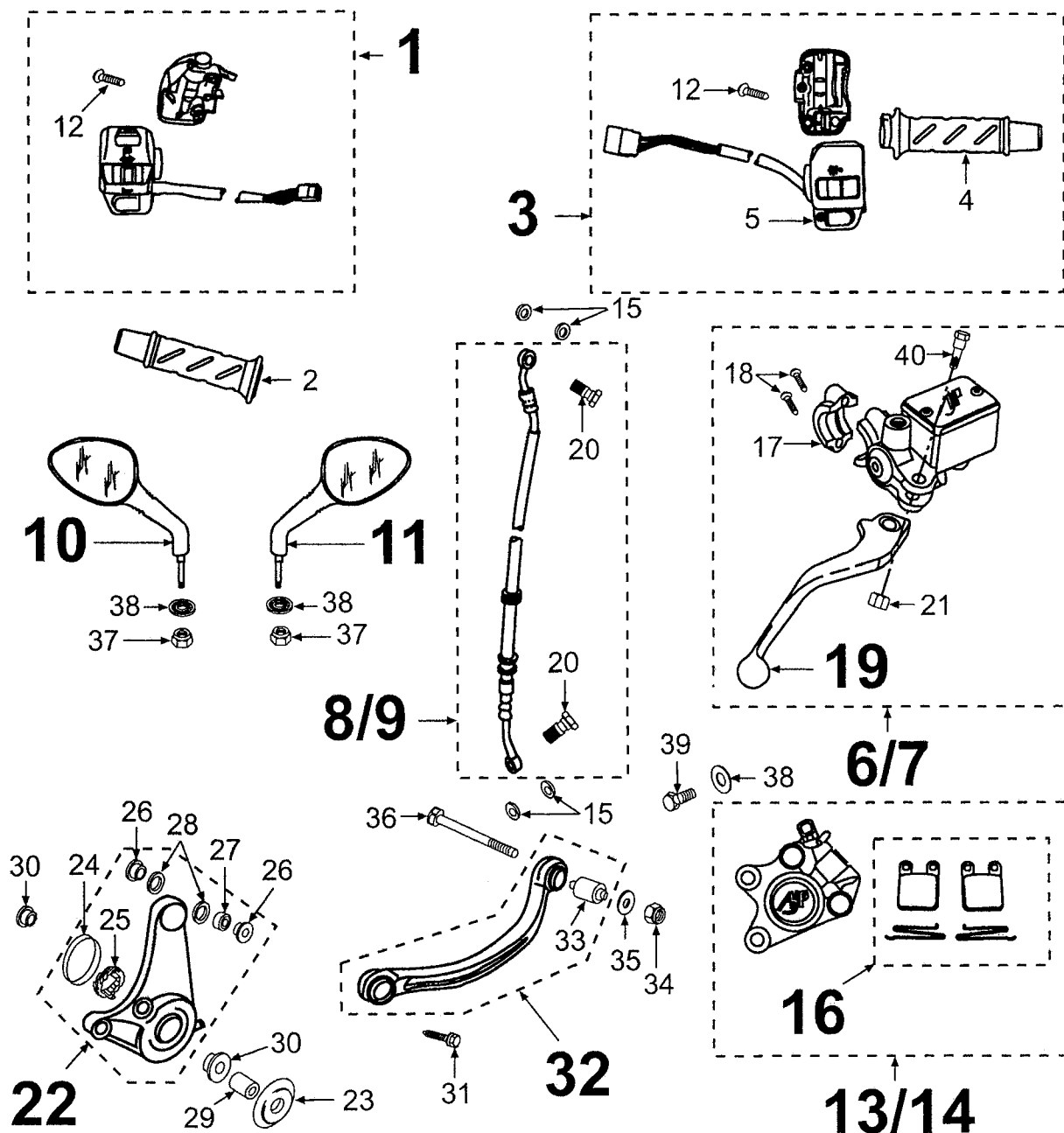


N° REF. C QTY DESCRIPTION

BRAKE CALIPER-MIRROR-GRIP

F 15

1	745837	1	LEFT REVERSING SWITCH
2	746070	1	LH GRIP RUBBER SLEEVE
3	746071	1	TURNING HANDLE
4	754738	1	TURNING HANDLE RH
5	753222	1	RH SWITCH WITH HARNESS (NYLON)
6	745506	1	REAR MASTER CYLINDER + LEVER
7	743501	1	FRONT MASTER CYLINDER + LEVER
8	736506	1	FRONT HYDRAULIC HOSE SET
9	736550	1	REAR HYDRAULIC HOSE SET
10	744022 *	1	LH REAR MIRROR
11	744023 *	1	RH REAR MIRROR
12	752874	4	FLAT-HEAD SCREW M5X0,80-22
13	736548	1	REAR BRAKE CALIPER ASSY
14	743386	1	FRONT BRAKE CALIPER ASSZ (AJP)
15	729739	8	COPPER GASKET 14-10-2
16	752816	2	BRAKE PAD SET
17	754710	2	TUBE CLIP 1/2
18	742073	4	HEAD CAP SCREW M6X1,00-25
19	754709	2	RH BRAKE LEVER (ALLOY.)
20	753078	4	HOSE FITTING SCREW L=18
21	710374	2	LOCKNUT M6X1.00
22	736423	1	BRAKE CALLIPER BRACKET
23	736171	1	CUP WITH SEAL
24	735728	1	OIL SEAL 45-55-7
25	736441	1	DRIVER 28 TOOTH-TEETH
26	728472	2	SHOULDER SPACER
27	728473	1	SPACER 8,3X14-14
28	735311	2	O'RING SEAL 12X1,2
29	734610	1	SPACER 17X22X35
30	736024	2	BUSH TORQUE LINK
31	737404	1	HEXAGON SCREW HM8X1,25-30
32	742795	1	BRACKET
33	736101	1	SILENTBLOCK
34	834012	1	FLANGE NUT M10X1,50
35	731250	1	PLAIN WASHER 10,25-25-2
36	735999	1	HEXAGON SCREW M10X1,50-100
37	750761	2	LOCKNUT M8X1,25
38	725083	6	CONICAL WASHER 8,4-16-1,4
39	710296	4	HEXAGON SCREW M8X1,25-30



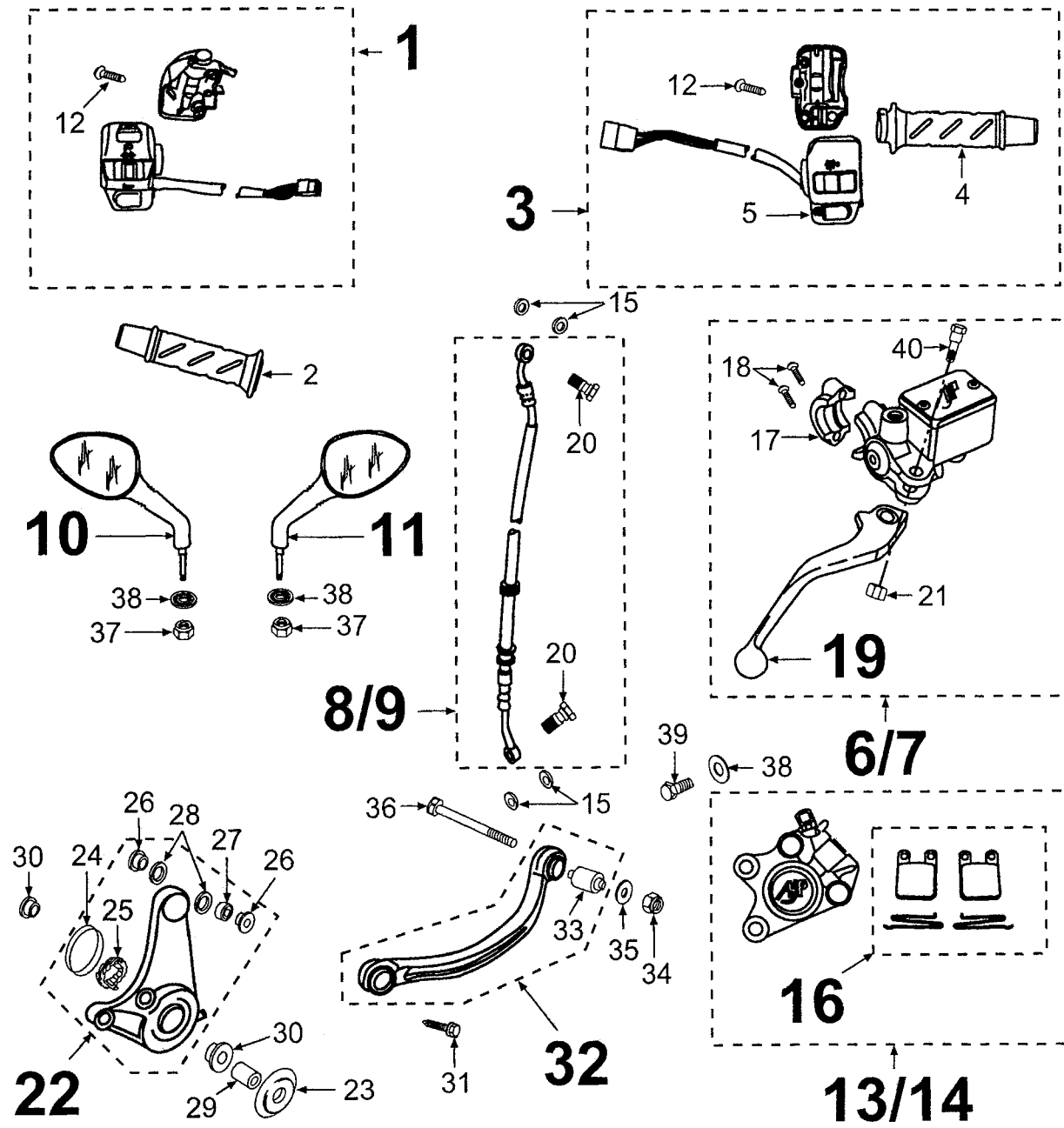
SEE NEXT PAGE F16

N° REF. C QTY DESCRIPTION

**BRAKE CALIPER-MIRROR-GRIP**

**F 16**

40 752867 2 PIN SCREW

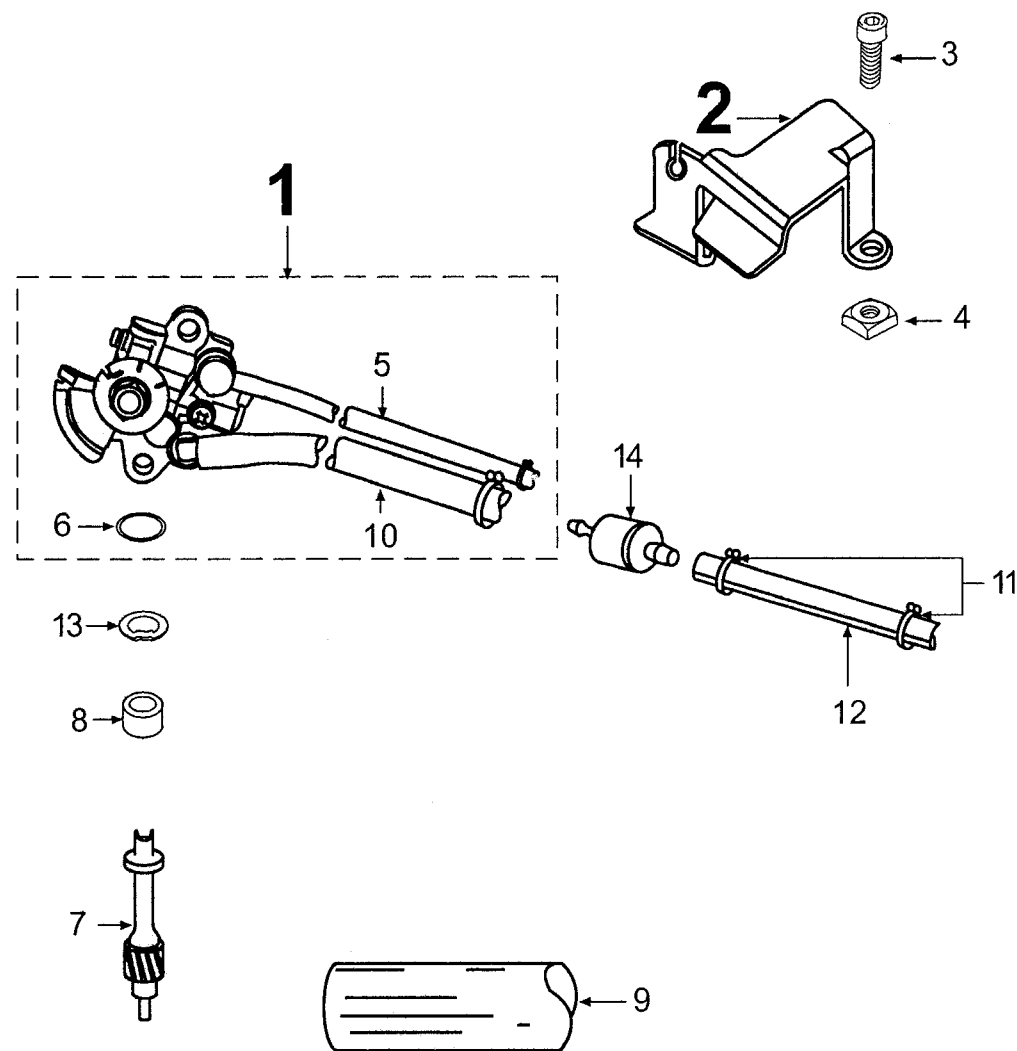


N° REF. C QTY DESCRIPTION

OIL PUMP(TO RETAIL VARJABILITE)

G 01

1	736882	1	OIL PUMP (MIKUNI)
2	737332	1	CABLE GUIDE BRACKET
3	717855	2	HEAD CAP SCREW M5X0,80-20
4	733860	2	SQUARE NUT M5X0,80 EP=4,5
5	752900	1	HOSE
6	750018	1	O'RING SEAL 18,3-2,3
7	731934	1	AXLE
8	731935	1	BUSCH ROTOR
9	731135	1	CABLE HOUSING
10	752967	1	HOSE
11	734019	2	TUBE CLIP D=9
12	734580	1	HYDRAULIC BRAKE HOSE
13	735296	1	FLEXIBLE WASHER 10,6X18,9X0,2
14	726138	1	OIL FILTER





N° REF. C QTY DESCRIPTION

OIL PUMP

G 02

1 G01 OIL PUMP (TO RETAIL VARJABILITE)  
2 G03 OIL PUMP (TO RETAIL FIXED)

N° REF. C QTY DESCRIPTION

OIL PUMP(TO RETAIL FIXED)

G 03

1	741033	1	OIL PUMP
2	731135	1	CABLE HOUSING
3	734580	1	HYDRAULIC BRAKE HOSE
4	731935	1	BUSCH ROTOR
5	752900	1	HOSE
6	750018	1	O'RING SEAL 18,3-2,3
7	731934	1	AXLE
8	752967	1	HOSE
9	737332	1	CABLE GUIDE BRACKET
10	717855	2	HEAD CAP SCREW M5X0,80-20
11	733860	2	SQUARE NUT M5X0,80 EP=4,5
12	734019	2	TUBE CLIP D=9
13	735296	1	FLEXIBLE WASHER 10,6X18,9X0,2
14	726138	1	OIL FILTER

