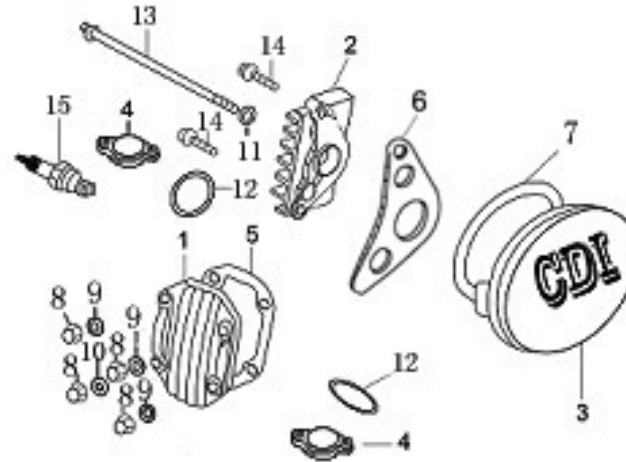
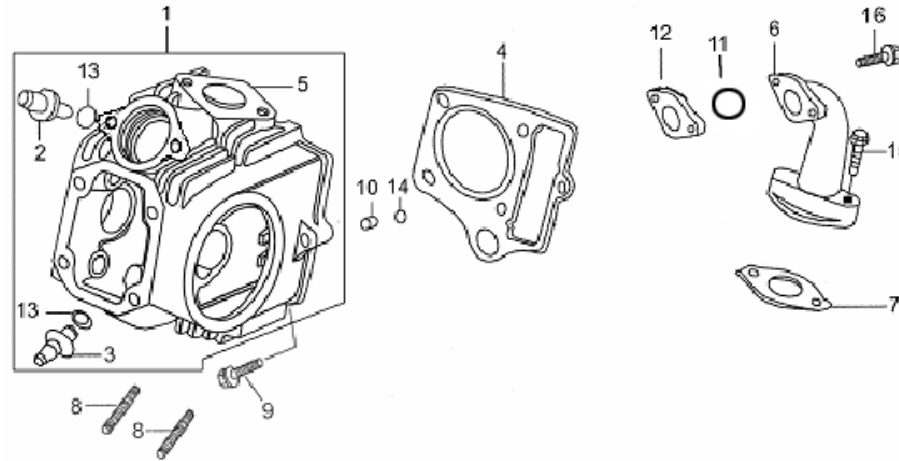
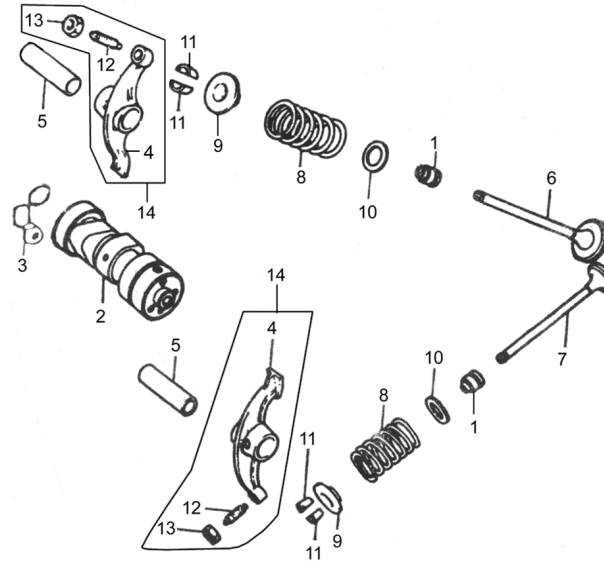


LF-1 CYLINDER HEAD COVER

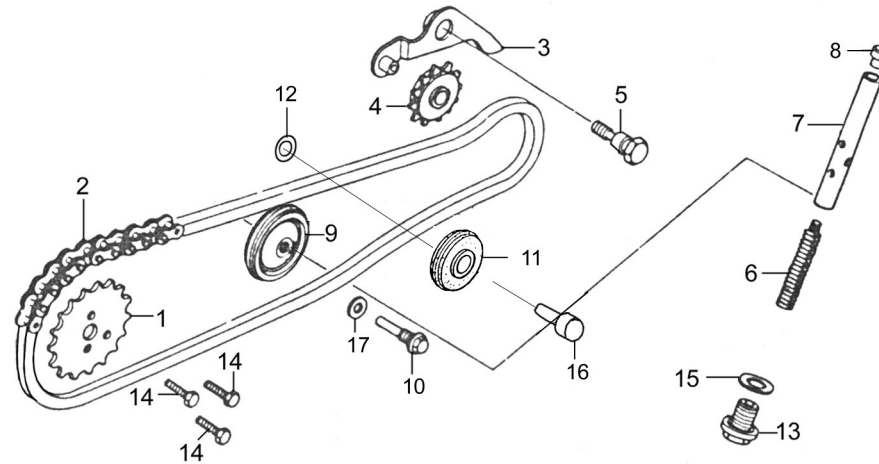
S/N	Part No.	Description	Quantity	Remark
1	12311/1P52FMI	Cover, cylinder head	1	
2	12240/1P52FMI	Cover, cylinder head, RH	1	
3	12242/1P50FMH	Cover, cylinder head, LH	1	
4	12243/1P52FMI-B	Cover, valve	2	
5	12312/1P52FMI	Gasket, cylinder head cover	1	
6	12244/1P52FMI	Gasket, cylinder head cover, RH	1	
7	12245/1P50FMH	Gasket, cylinder head cover, LH	1	
8	GB/T923	Nut, M7	4	
9	12344/1P52FMI	Washer, cylinder bolt steel7	3	
10	12345/1P52FMI	Washer, cylinder bolt copper7	1	
11	12248/1P50FMG	Washer, 6	1	
12	12246/1P50FMG	O-Ring, valve cover	2	
13	GB/T16674	Bolt, M6×110	1	
14	GB/T16674	Bolt, M6×25	2	
15		Plug, spark	1	

LF-2 CYLINDER HEAD

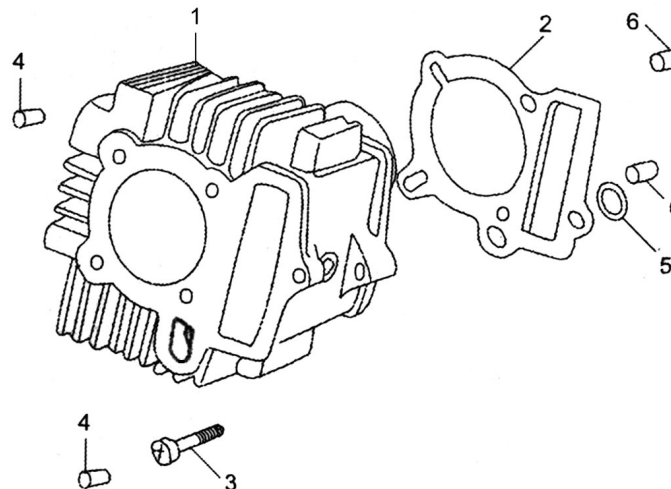
S/N	Part No.	Description	Quantity	Remark
1	12210/1P55FMJ-2E10	Head comp. cylinder	1	
2	12214/1P50FMG	Guide, inlet valve	1	
3	12215/1P50FMG	Guide, exhaust valve	1	
4	12220/1P55FMJ-2E10	Gasket comp., cylinder head	1	
5	12211/1P55FMJ-2E10	Head, cylinder	1	
6	17311/1P55FMJ-2E10	Pipe, inlet	1	
7	17332/1P52FMI	Gasket, inlet pipe	1	
8	GB898	Bolt, M6×34	2	
9	GB/T29.2	Bolt, M6×23	1	
10	15441/1P52FMI	Bush, cylinder block oil	1	
11	17333/1P52FMI	Gasket, carburetor connecting port	1	
12	17331/1P52FMI	Isolator inlet pipe	1	
13	12216/1P50FMG	O-ring, guide	2	
14	15442/1P50FMG	Gasket, cylinder block rectangular	1	
15	GB/T16674	Bolt, M6×32	2	
16	GB/T16674	Bolt, M6×28	2	

LF-3 CAMSHAFT AND VALVE

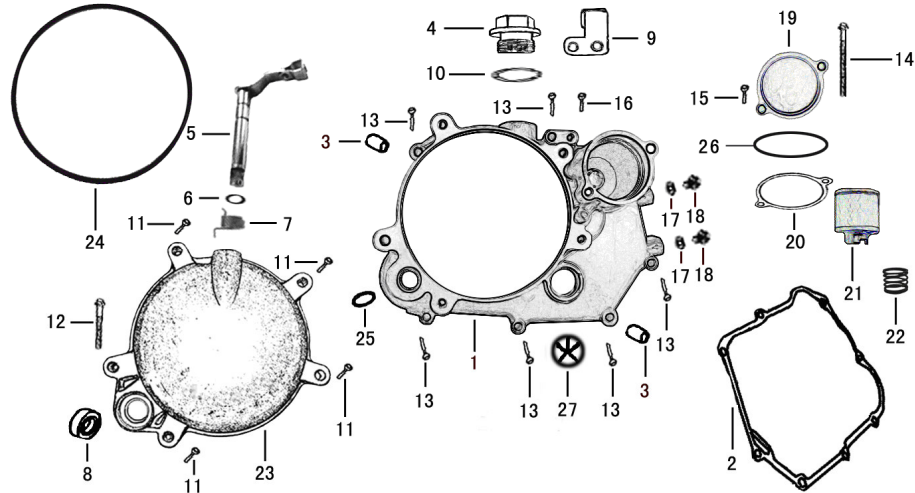
S/N	Part No.	Description	Quantity	Remark
1	14730/IP50FMG	Seal, valve stem	2	
2	14100	Camshaft Assy	1	
3	14150/IP50FMG-3	Stopper, auto-reducer	1	
4	14411/IP50FMG	Rocker, valve	2	
5	14413/IP50FMG	Shaft, rocker	2	
6	14710/IP52FMI-B	Valve, intake	1	
7	14720/IP52FMI-B	Valve, exhaust	1	
8	14755/IP50FMG	Spring, valve outer	2	
9	14751/IP50FMG	Retainer, valve spring	2	
10	14753/IP50FMG	Seat, valve spring outer	2	
11	14752/IP50FMG	Split cone, valve	4	
12	14415/IP50FMG	Screw, valve adjusting	2	
13	14416/IP50FMG	Locknut, valve	2	
14	14410/IP50FMG	Rocker comp.	2	

LF-4 TIMING CHAIN AND TENSIONER

S/N	Part No.	Description	Quantity	Remark
1	14321/1P50FMH	Sprocket (32T), timing driven	1	
2	14350/1P52FMI	Chain, timing	1	
3	14670/1P50FMG	Arm set, tensioning	1	
4	14680/1P50FMG	Tensioner, chain	1	
5	14661/1P50FMG	Screw, tensioning plate	1	
6	14513/1P50FMG	Spring, tensioning rod	1	
7	14530/1P50FMG	Rod comp., tensioning	1	
8	14514/1P50FMG	Head, tensioning rod	1	
9	14610/1P50FMG	Roller, guiding	1	
10	14621/1P50FMH	Pin, guiding roller	1	
11	14630/1P50FMH	Roller	1	
12	14642/1P50FMH	Washer, roller	1	
13	14518/1P50FMG	Plug, tensioner M14×1.5	1	
14	GB/T5783	Bolt, M5×12	3	
15	14519/1P50FMG	Seal, tensioner	1	
16	14643/1P50FMH	Pin, roller	1	
17	14622/1P50FMG	Washer, guide 8	1	

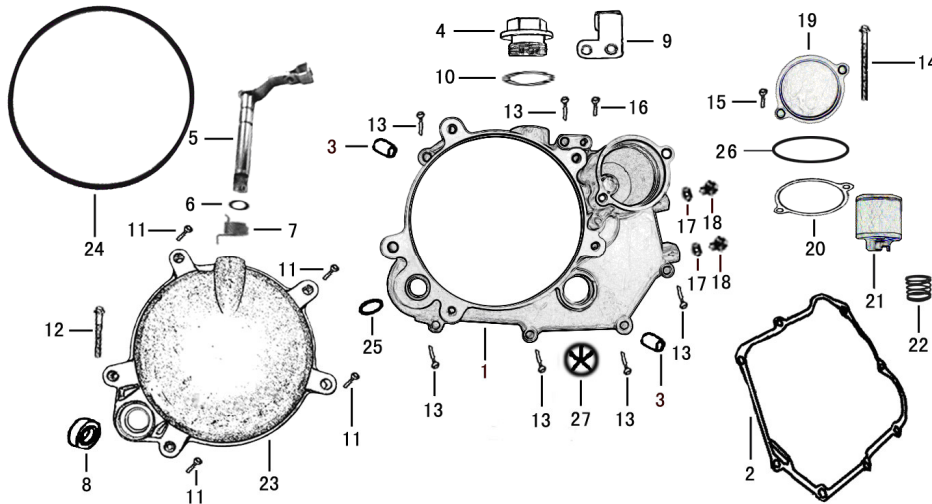
LF-5 CYLINDER

S/N	Part No.	Description	Quantity	Remark
1	12112	Block, cylinder	1	
2	12121/1P52FMI	Gasket, cylinder block	1	
3	GB/T29.2	Bolt, M6×23	1	
4	12218/1P52FMI	Dowel pin, cylinder head 8×14	2	
5	12134/1P50FMG	Gasket II, rectangular 11.5×2.6	1	
6	11318/1P52FMI	Dowel pin, crankcase cover, RH 8×12	2	

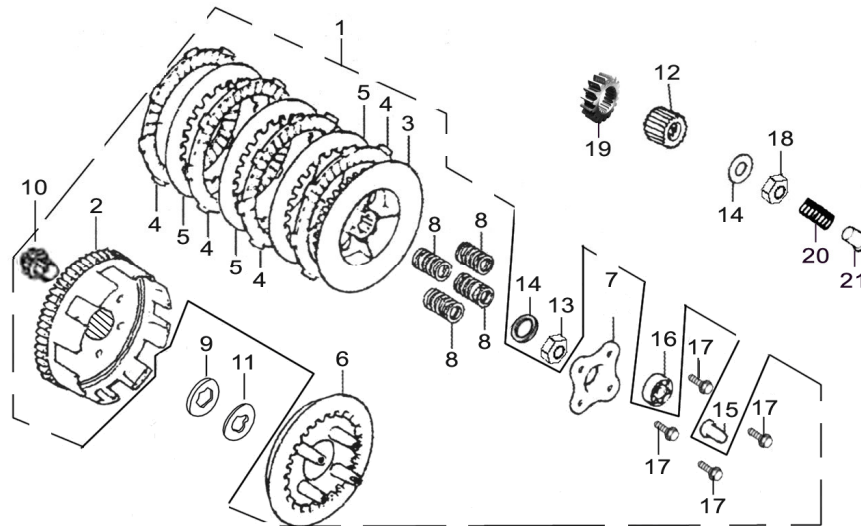
LF-6 RIGHT CRANCASE COVER

S/N	Part No.	Description	Quantity	Remark
1	11310	Cover comp., crankcase, RH	1	
2	11319/1P52FMI-2B10	Gasket, Crankcase Cover, RH	1	
3	11318/1P50FMG	Dowel pin, crankcase cover, RH 8×12	2	
4	15611	Cap, oil filler	1	
5	22810	Lever comp., clutch	1	
6	22840/150FMG	Oil seal, clutch lever	1	
7	22821	Spring, clutch lever	1	
8	27190/1P50FMG	Oil seal, starting shaft 13.7×24×5	1	
9	22813	Holder, clutch cable	1	
10	15612/1P50FMG	O-ring, oil filler cap	1	
11	GB/T16674	Bolt M6×25	4	
12	GB/T16674	Bolt M6×135	1	
13	GB/T16674	Bolt M6×50	6	
14	GB/T16674	Bolt M6×95	1	
15	GB/T16674	Bolt M6×20	1	
16	GB/T16674	Bolt M6×15	1	
17	11213/1E50FMG	Washer, plug drain	2	

LF-6 RIGHT CRANCASE COVER (continue)

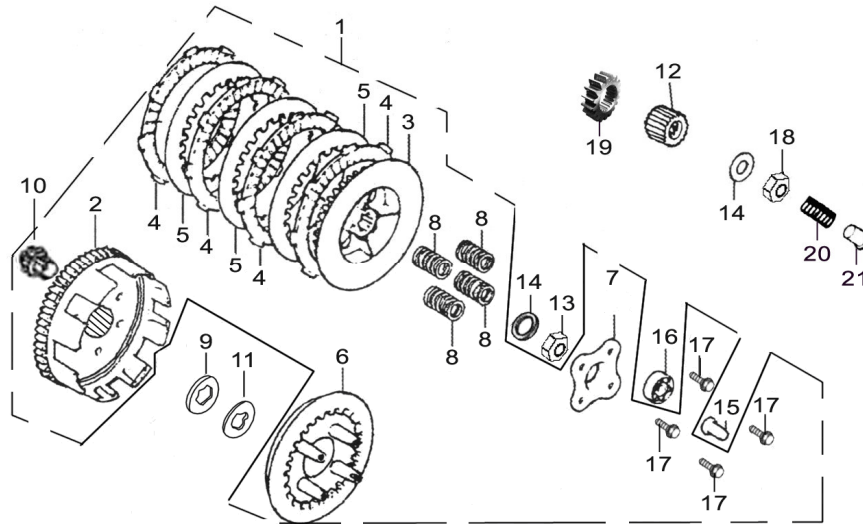


S/N	Part No.	Description	Quantity	Remark
18	11212/1E50FMG	Plug, crankcase drainM10×12	2	
19	15414	Cover,Oil Filter	1	
20	15415	Gasket, oil filter cover	1	
21	15482	Filter	1	Use Daytona oil filter
22	15413	Snap ring, oil filter	1	
23	11331	Lid, small, RH	1	
24	11332	Gasket, small lid, RH	1	
25	14663/1P52QMI	O-ring, starter	1	
26	15428	O-ring oil filter cover	1	
27	15620/1P50FMG	Glass, sight	1	

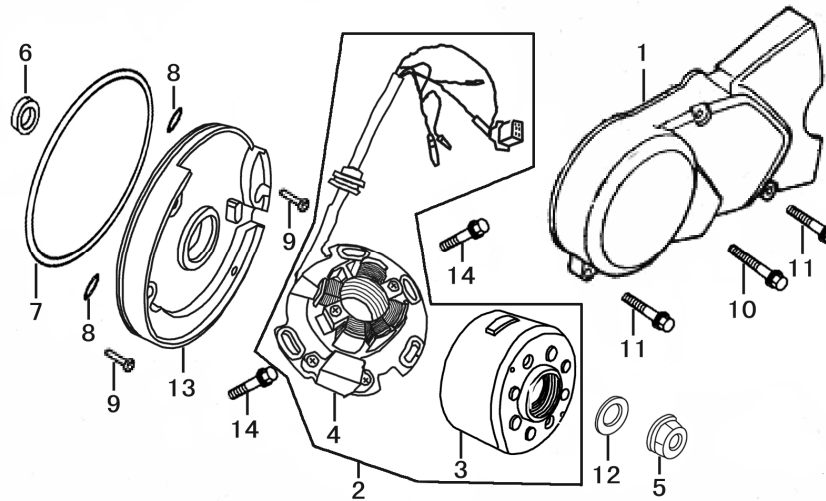
LF-7 CLUTCH

S/N	Part No.	Description	Quantity	Remark
1	22100/1P55FMJ-2E10	Main body, clutch	1	
2	22110/1P55FMJ-2E10	Outer comp., clutch	1	
3	22324/1P55FMJ-2E10	Disc, clutch driven	1	
4	22330/1P55FMJ-2E10	Disc set, clutch friction	5	
5	22341/1P55FMJ-2E10	Plate, clutch	4	
6	22351/1P55FMJ-2E10	Plate, clutch pressure	1	
7	22360/1P55FMJ-2E10	Plate comp., clutch lifter	1	
8	22371/1P55FMJ-2E10	Spring, clutch	4	
9	22372/1P50FMG-3	Washer, splined B17	1	
10	27231/1P52FMI-2B10	Gear, starting driven	1	
11	22374/1P50FMG-3	Washer, clutch	1	
12	22621/150FMG	Gear, primary drive	1	
13	22151/1P50FMG-3	Locknut, clutchM14	1	
14	22632/150FMG	Washer, primary drive gear thrust	2	
15	22861/150FMG	Pusher, clutch	1	

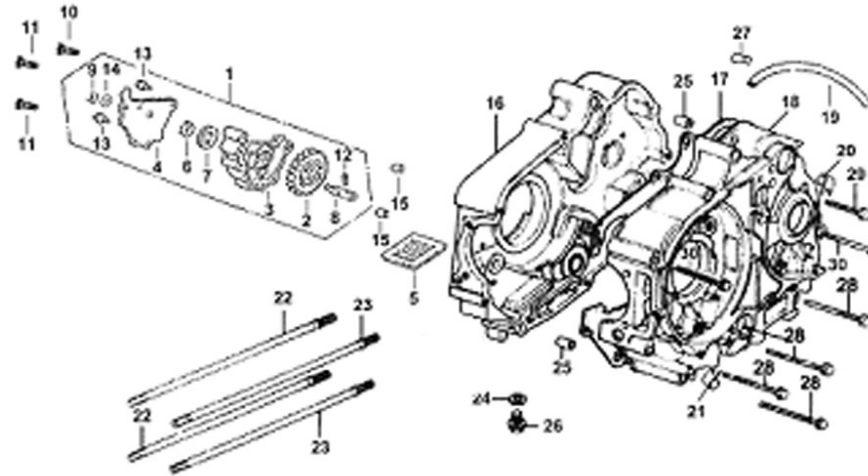
LF-7 CLUTCH (continue)



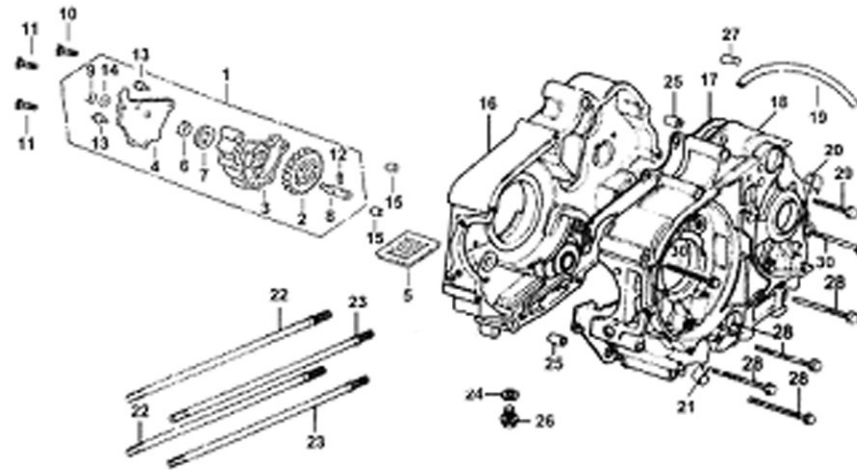
S/N	Part No.	Description	Quantity	Remark
16	GB/T276	Bearing, 6000	1	
17	GB/T5783	Bolt, M6×25	4	
18	22631/150FMG	Locknut, primary drive gear	1	
19	15211/1P52FMI-2B10	Gear, oil pump drive	1	
20	15432	Spring, crankshaft spring	1	
21	15433	Bush, crankshaft oil	1	

LF-8 LEFT CRANKCASE COVER AND MAGNETO

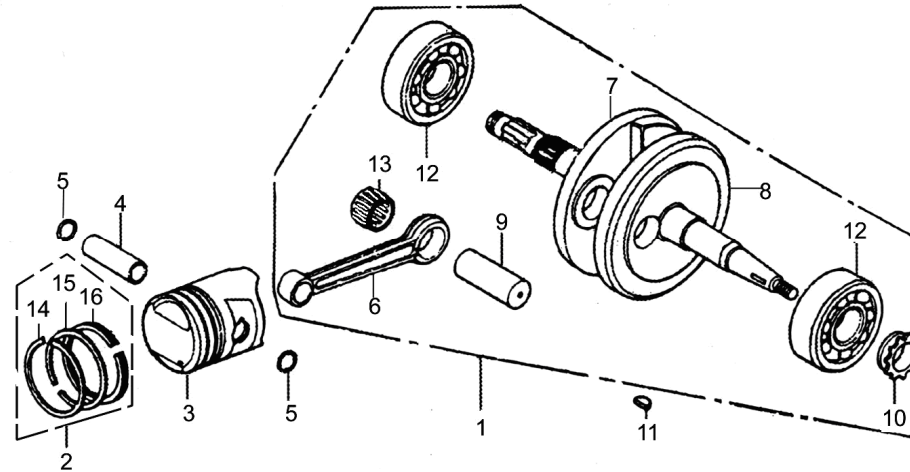
S/N	Part No.	Description	Quantity	Remarks
1	11411/1P50FMG	Cover, crankcase, LH	1	
2	31100	Magneto Assy	1	
3	31110	Rotor comp., magneto	1	
4	31210	Stator comp., magento	1	
5	31311/1P50FMG	Locknut, magneto M10×1.25	1	
6	13190/1P50FMG	Oil seal, crankshaft, LH 18.9×30×5	1	
7	31915/1P50FMG	O-ring, magneto 107×2	1	
8	31916/1P50FMG	O-ring II, magneto 6.5×1.9	2	
9	GB/T6190	Screw, M6×14	2	
10	GB/T16674	Bolt, M6×28	1	
11	GB/T16674	Bolt, M6×35	2	
12	31312/1P50FMG	Washer, magneto locknut	1	
13	28174	Panel	1	
14	GB/T16674	Bolt, M6×16	2	

LF-9 CRANKCASE & PUMP

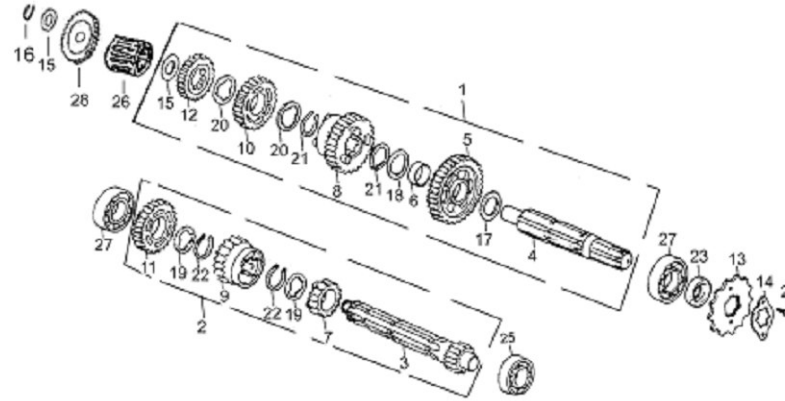
S/N	Part No.	Description	Quantity	Remark
1	15100/1P52FMI-2	Pump Assy, oil	1	
2	15120/1P52FMI-2	Gear comp., oil pump driven	1	
3	15111/1P50FMH	Body, Oil pump	1	
4	15112/1P50FMH	Cover, Oil pump	1	
5	15450/1P50FMG	Gauze set	1	
6	15114/1P50FMH	Rotor, oil pump inner	1	
7	15115/1P50FMH	Rotor, oil pump outer	1	
8	15116/1P50FMH	Shaft Oil pump	1	
9	GB/T896	Collar	1	
10	GB/T819. 1	Screw M6×35	1	
11	GB/T819. 1	Screw M6×35	2	
12	GB/T119	Set pin 3×16	1	
13	GB/T16674	Bolt M5×10	2	
14	GB/T848	Washer 6	1	
15	11318/1P50FMH	Dowel pin, crankcase cover, RH	2	

LF-9 CRANKCASE & PUMP (continue)

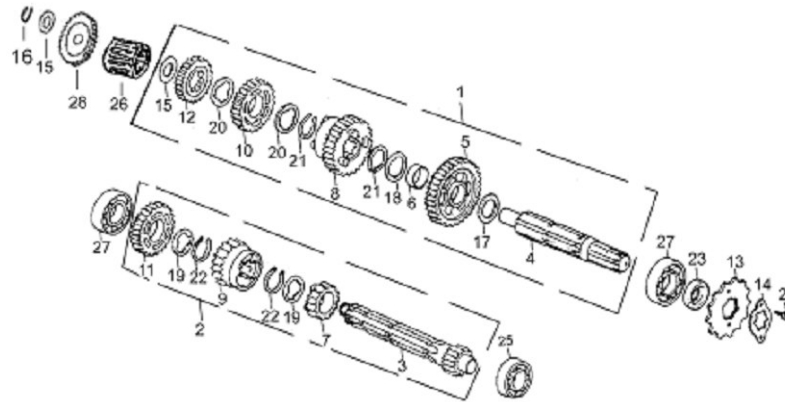
S/N	Part No.	Description	Quantity	Remark
16	11110/1P52FMI-2B10	Crankcase comp., RH	1	
17	11119/1P52FMI-2B10	Gasket,Crankcase	1	
18	11210/1P52FMI-2B10	Crankcase comp., LH	1	
19	20152/1P50FMG	Pipe, crankcase exhaust	1	
20	20154/1P50FMG	Clip II, crankcase exhaust pipe	1	
21	11217/1P50FMG	Clamp, engine wire	1	
22	12342/1P52FMI	Bolt A, Cylinder	2	
23	12343/1P52FMI	Bolt B, Cylinder	2	
24	11213/1P50FMG	Washer, plug drain	1	
25	11118/1P50FMG	Dowel pin, crankcase	2	
26	11212/1P50FMG	Plug, crankcase drain	1	
27	20153/1P50FMG	Clip I, crankcase exhaust pipe	1	
28	GB/T16674	Bolt M6×65	4	
29	GB/T16674	Bolt M6×50	1	
30	GB/T16674	Bolt M6×60	2	

LF-10 CRANKSHAFT AND PISTON

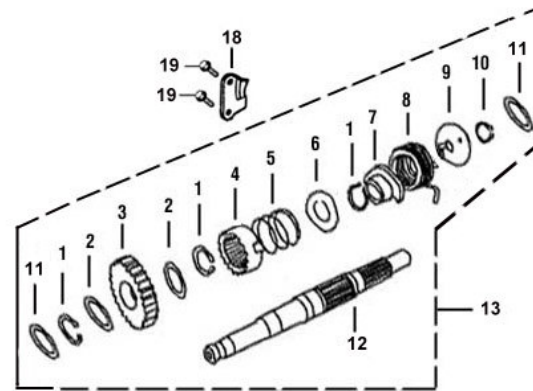
S/N	Part No.	Description	Quantity	Remark
1	13100	Crankshaft & connecting rod	1	
2	13300/156FMI-2	Ring set, piston	1	
3	13211/156FMI-2L	Piston	1	
4	13221/1P52QMI	Pin, piston	1	
5	13222/1P52QMI	Circlip, piston pin	2	
6	13131	Rod, connecting	1	
7	13121	Crankshaft, RH	1	
8	13111	Crankshaft, LH	1	
9	13141/1P52FMI-B	Pin, crankshaft	1	
10	14311/1P50FMH	Sprocket(16T), timing	1	
11	13118/1P50FMG	Key, woodruff	1	
12	GB/T276	Bearing, 6205	2	
13	13150/1P52FMI-B	Bearing, connecting rod big end	1	
14	13311/156FMI-2	Ring, piston (No.1)	1	
15	13312/156FMI-2	Ring, piston (No.2)	1	
16	13320/156FMI-2	Oil ring, 3-piece	1	

LF-11 TRANSMISSION

S/N	Part No.	Description	Quantity	Remark
1	23700/1P52FMI-2B10	Countershaft, comp	1	
2	23600/1P52FMI-2B10	Main shaft, comp	1	
3	23611/1P52FMI-2B10	Main, shaft	1	
4	23771/1P52FMI-2B10	Countershaft	1	
5	23711/1P50FMG-2	1st gear, countershaft	1	
6	23712/1P50FMG-2	Bush	1	
7	23621/1P50FMG-2	2nd gear, main shaft	1	
8	23721/1P50FMG-2	2nd gear, countershaft	1	
9	23631/1P50FMG-2	3rd gear, main shaft	1	
10	23731/1P50FMG-2	3rd gear, countershaft	1	
11	23641/1P50FMG-2	4th gear, main shaft	1	
12	23741/1P50FMG-2	4th gear, countershaft	1	
13	22711/1P50FMG	Sprocket	1	
14	22712/1P50FMG	Plate, sprocket fixing	1	
15	23774/1P50FMG-2	Washer	2	

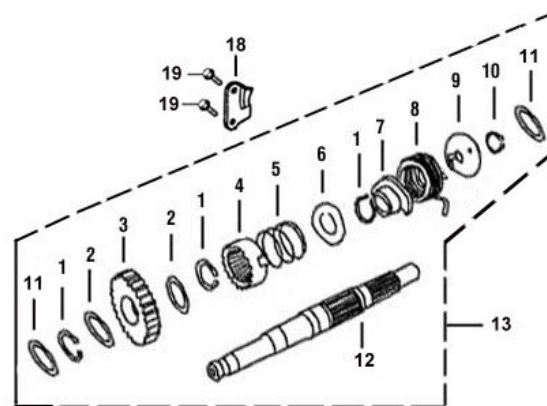
LF-11 TRANSMISSION (Continue)

S/N	Part No.	Description	Quantity	Remark
16	23672	Circlip	1	
17	23773/1P50FMG-2	Washer	1	
18	23794/1P50FMG-2	Washer	1	
19	23675/1P50FMG-2	Washer, inside spline	2	
20	23775/1P50FMG-2	Washer, inside spline	2	
21	23772/1P50FMG-2	Washer, spring	2	
22	23673/1P50FMG-2	Washer, spring	2	
23	23790/1P50FMG	Oil seal, 17×29×5	1	
24	GB/T5783	Bolt, M6×8	2	
25	B6001	Bearing, 6001	1	
26	GB/T276	Bearing, NK14/12	1	
27	B6203	Bearing, 6203	2	
28	27221/1P52FMI-2B10	Conveying gears, start	1	

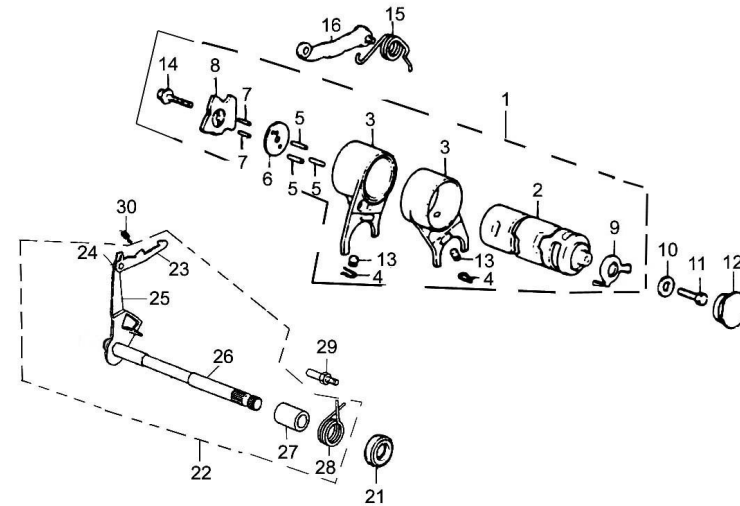
LF-12 START DEVICE

S/N	Part No.	Description	Quantity	Remark
1	27142/1P52FMI-2B10	Snap ring 20	3	
2	27141/1P52FMI-2B10	Washer	2	
3	27151/1P52FMI-2B10	Gear, start	1	
4	27113/1P52FMI-2B10	Ratchet	1	
5	27115/1P52FMI-2B10	Spring	1	
6	27121/1P52FMI-2B10	Seat, ratchet spring	1	
7	27117/1P52FMI-2B10	Seat, spring	1	
8	27118/1P52FMI-2B10	Reset spring, start	1	
9	27119/1P52FMI-2B10	Circlip	1	
10	22634/1P52FMI-2B10	Snap ring, 14	1	
11	27114/1P53FMH	Washer, 22×14×1	2	
12	27111/1P52FMI-2B10	Shaft, start	1	
13	27100/1P52FMI-2B10	Shaft assy, start	1	

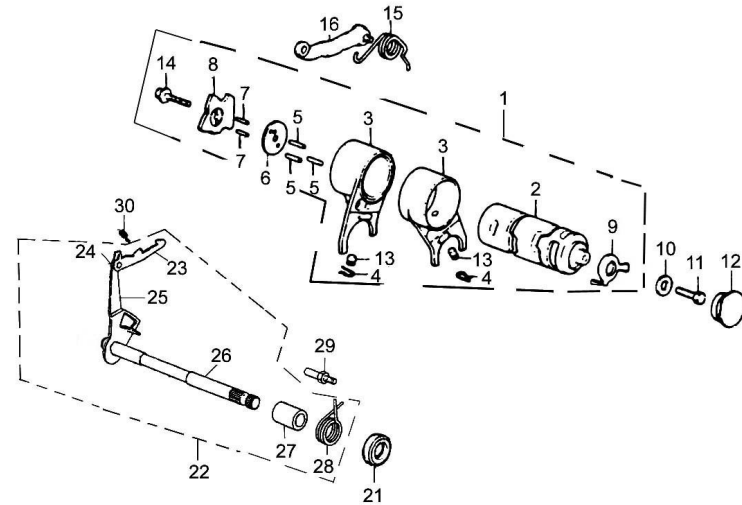
LF-12 START DEVICE (continue)



S/N	Part No.	Description	Quantity	Remark
18 19	27131/1P52FMI-2B10 GB/T5783	Guide, ratchet Bolt, M6×20	1 2	

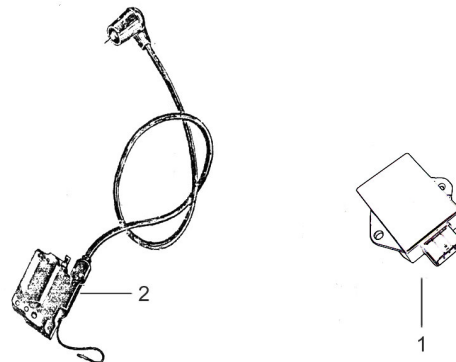
LF-13 GEARSHIFT DRUM

S/N	Part No.	Description	Quantity	Remark
1	24200/1P50FMG-2	Gearshift drum	1	
2	24211/1P50FMG-2	Drum, gearshift	1	
3	24411/1P50FMG	Fork	2	
4	24415/1P50FMG	Clamp, spring	2	
5	24212/1P50FMG	Pin, shift	3	
6	24213/1P50FMG-2	Clamp, shift pin	1	
7	24222/1P50FMG-2	Dowel pin, gearshift drum plate	2	
8	24221/1P50FMG-2	Plate, gearshift drum	1	
9	35722/1P50FMG	Contacts, neutral indicator	1	
10	24223/1P50FMG	Washer	1	
11	GB/T70.1	Screw, M6×12	1	
12	35740/1P50FMG	Oil seal, neutral indicator	1	
13	24414/1P50FMG	Pin, pull	2	
14	GB/T819.1	Screw, M6×12	1	
15	24323/1P50FMG-3	Spring, position plate	1	
16	24310/1P52FMI-2B10	Position plate comp	1	

LF-13 GEARSHIFT DRUM (continue)

S/N	Part No.	Description	Quantity	Remark
21	24190/1P50FMG	Oil seal, gearshift shaft, 11.6×24×10	1	
22	24100/1P50FMG	Gearshift shaft assy	1	
23	24115/1P50FMG	Shifter,secondary	1	
24	24114/1P50FMG	Pin	1	
25	24121/1P50FMG	Shifter	1	
26	24111/1P50FMG	Shaft, shift	1	
27	24125/1P50FMG	Bush	1	
28	24123/1P50FMG	Torsion spring	1	
29	24131/1P50FMG	Stop screw	1	

LF-14 ELECTRIC ELEMENTS



S/N	Part No.	Description	Quantity	Remark
1	L34400	C.D.I	1	
2	L34500	Ignition Coil	1	
3	L34600	Wire Harness	1	