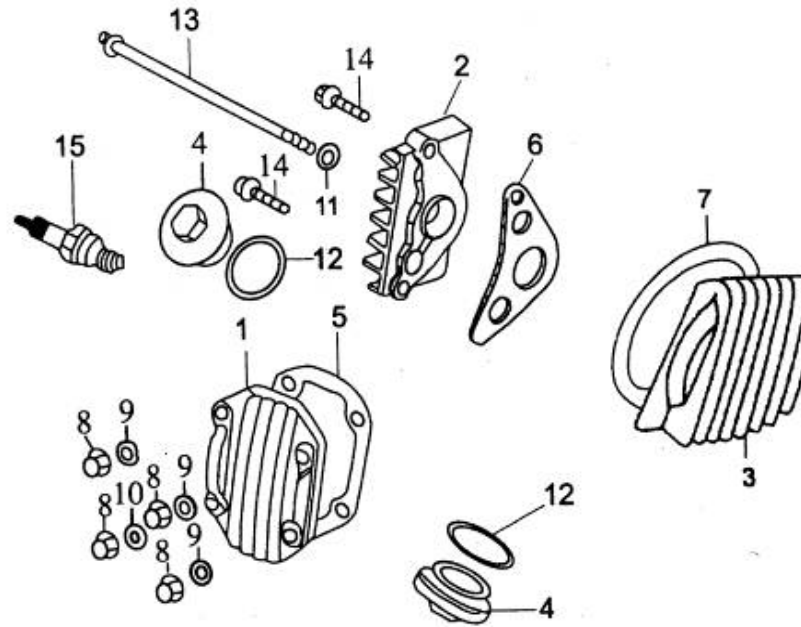


E-1 气缸头盖

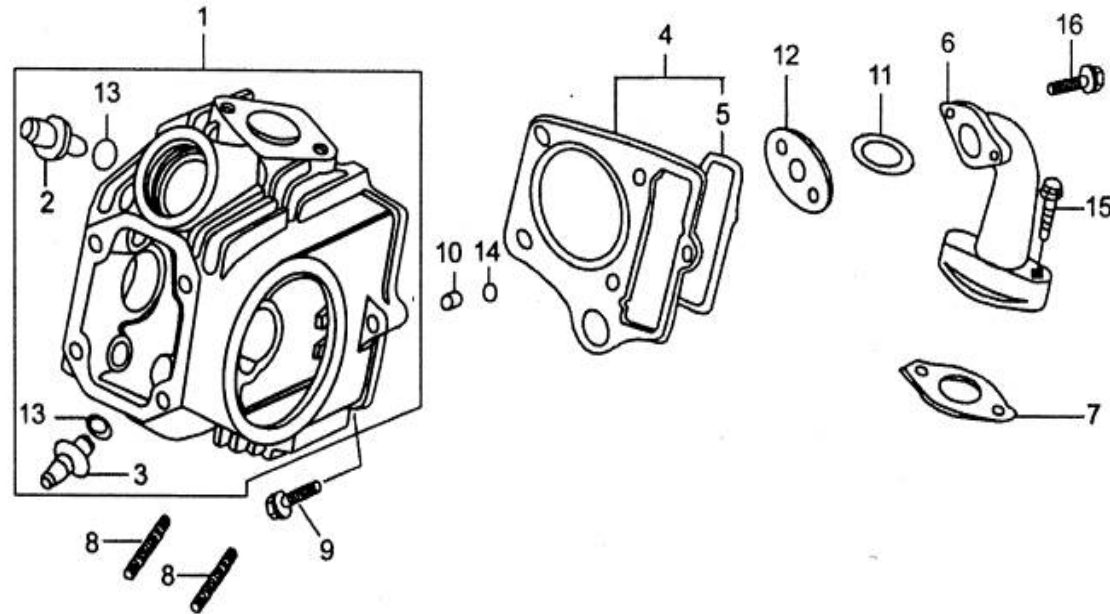
Cylinder Head Cover



序号 Ref. No.	零部件编码 Part No.	零部件名称	Description	数量 Quantity	UNIT PRICE USD
1	D01A036	气缸头盖	Cover, Cylinder Head	1	2.33
2	D00A035	气缸头右盖	Cylinder Head Cover, RH	1	2.45
3	D00A033	气缸头左盖	Cylinder Head Cover, LH	1	2.45
4	D00A032	气门盖	Cover, Valve	2	0.5
5	D00B009	气缸头盖密封垫	Gasket, Cylinder Head Cover	1	0.04
6	D00B007	气缸头右盖密封垫	Gasket, Cylinder Head Cover, RH	1	0.04
7	D00B006	气缸头左盖密封垫	Gasket, Cylinder Head Cover, LH	1	0.04
8	923060000	盖形螺母M6	Cap Nut M6	4	0.31
9	D00L017	铁垫圈6	Steel Washer 6	3	0.04
10	D00L012	铜垫圈6	Copper Washer 6	1	0.06
11	D00L020	铝垫圈6	aluminium Washer 6	1	0.04
12	D00C058	气门盖O型圈30.8×3.2	O-ring 30.8×3.2	2	0.06
13	96006110	螺栓M6×110	Bolt M6×110	1	0.39
14	96006020	螺栓M6×20	Bolt M6×20	2	0.15
15	D00D021	火花塞A7TC	Spark Plug A7TC	1	0.79

E-2 气缸头

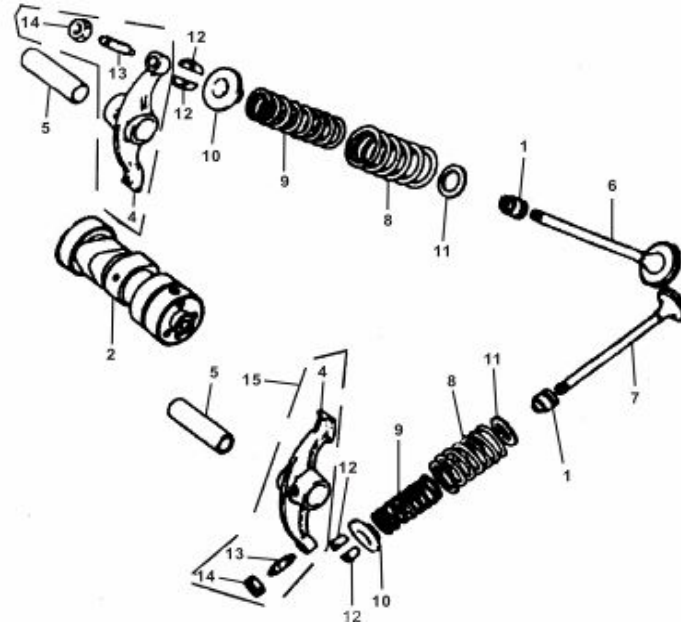
Cylinder Head



序号 Ref. No.	零部件编码 Part No.	零部件名称	Description	数量 Quantity	UNIT PRICE
					USD
1	E001A000	气缸头组合	Cylinder Head Sub-Assy	1	6.32
2	D00A001	进气门导管	Guide, Intake Valve	1	0.02
3	D00A002	排气门导管	Guide, Exhaust Valve	1	0.02
4	E00B008	气缸头密封垫	Gasket, Cylinder Head	1	
5		链条腔封环组合	Gasket, Chain Bousing	1	0.15
6	L00JQ16	进气管	Inlet Pipe	1	0.35
7	D00B014	进气管密封垫	Gasket, Inlet Pipe	1	0.02
8	D00M009	双头螺栓M6×32	Stud M6×32	2	0.02
9	D00M015BCR	连接螺栓M6×23	Bolt M6×23	1	0.03
10	D00L040	翻边衬套Φ8×9	Sleeve Φ8×9	1	0.01
11	D00C059	O型密封圈25.4×2.4	O-Ring 27×2.0	1	0.05
12	D001C039	进气管胶木垫	Insulating Mat, Inlet Pipe	1	0.01
13	D00C047	导管O型圈9×1.6	O-Ring 9×1.6	2	0.01
14	D00C031	矩形圈9×11.7×1.5	Rectangular Ring 9×11.7×1.5	1	0.02
15	578306028BCR	螺栓M6×28	Bolt M6×28	2	0.01
16	578306022BCR	螺栓M6×22	Bolt M6×22	2	0.01

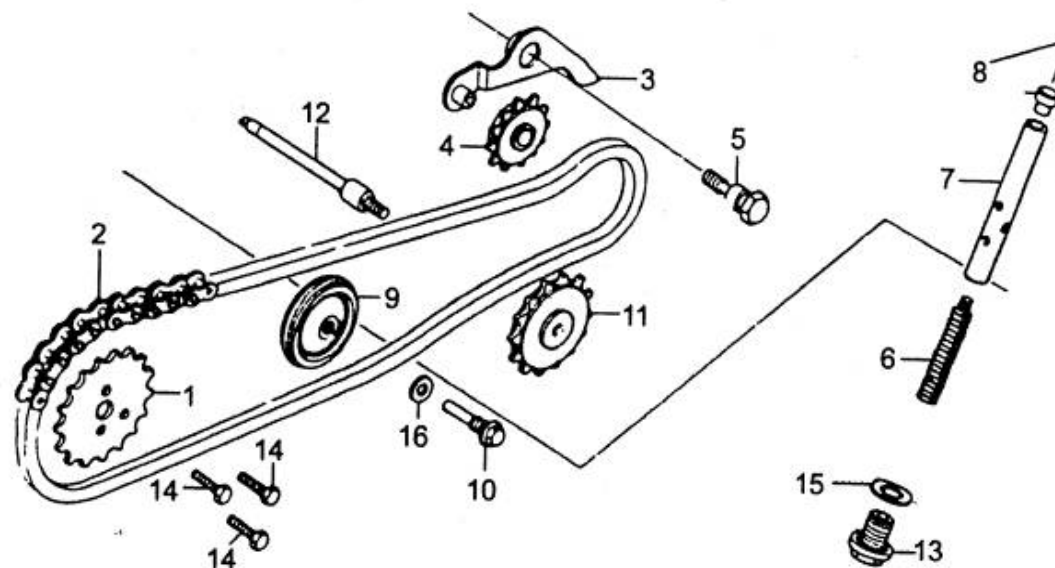
## E-3 凸轮轴 气门

## Camshaft &amp; Valves



序号 Ref. No.	零部件编码 Part No.	零部件名称	Description	数量 Quantity	UNIT PRICE
					USD
1	D00C043	挡油罩	Oil seal, Valve Stem	2	0.09
2	A00F020	凸轮轴组件	Camshaft Assy	1	0.11
4	D001F000	气门摇臂	Rocker Arm, Valve	2	0.27
5	D00F015	摇臂轴	Shaft, Rocker Arm	2	0.07
6	D00F045	进气门	Intake Valve	1	0.32
7	D00F039	排气门	Exhaust Valve	1	0.32
8	D00H003	气门外弹簧	Outer Spring, Valve	2	0.05
9	D00H004	气门内弹簧	Inner Spring, Valve	2	0.03
10	D00F034	气门内外弹簧座	Spring Retainer, Upper	2	0.06
11	D00F031	气门外弹簧座圈	Spring Retainer, Outer	2	0.06
12	D00F033	气门锁夹	Spring Cone. Valve	4	0.02
13	A00F001	气门间隙调节螺钉	Adjusting Screw, Valve Gap	2	0.01
14	A00F002	气门间隙调节螺母	Lock Nut	2	0.01
15	D00F000	气门摇臂组件	Rocker Arm Assy	2	0.27

E-4 正时链条 张紧器 Timing Chain & Tensioner

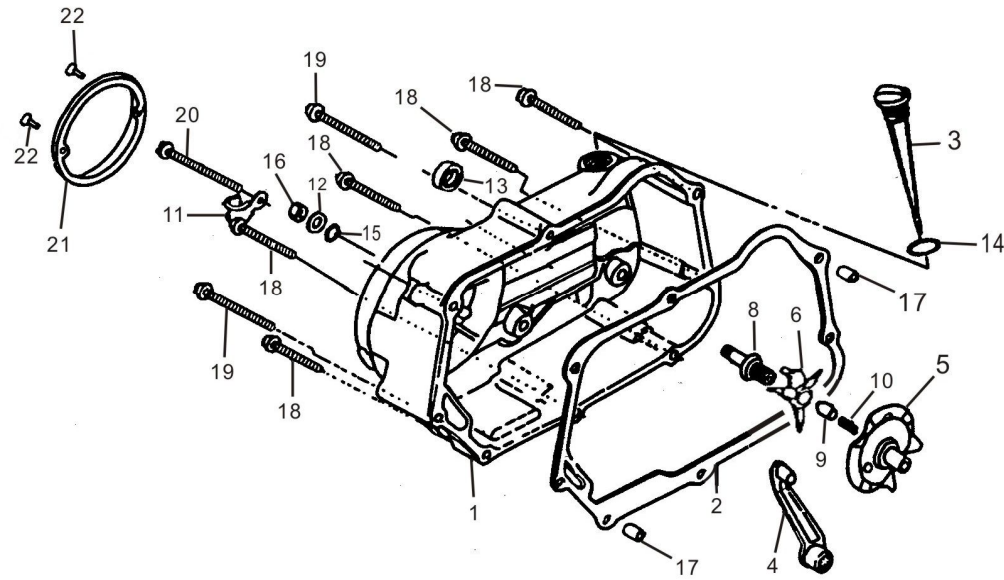


序号 Ref. No.	零部件编码 Part No.	零部件名称	Description	数量 Quantity	UNIT PRICE
					USD
1	A00F011	正时从动链轮(28T)	Timing Driver Sprocket (28T)	1	0.09
2	D00F012	正时链条(84T)	Timing Chain(84T)	1	0.34
3	D00F043	链条张紧臂组件	Tensioning Arm	1	0.09
4	D00C020	链条张紧滚轮组件	Tensioning Roller	1	0.07
5	D00F044	链条张紧臂芯轴	Screw	1	0.04
6	D00H006	链条张紧杆弹簧	Spring	1	0.01
7	D00F042	链条张紧杆组件	Tensioning Bar	1	0.18
8	D00C022	链条张紧杆头	Cap	1	0.13
9	D00C023	链条导向滚轮组件	Guiding Wheel	1	0.07
10	D00F048	导向滚轮销轴	Pin, Guiding Wheel	1	0.06
11	D00E028	机油泵链轮	Drive Sprocket, Oil pump	1	
12	D00E027	机油泵链轮轴	Sprocket Shaft, Oil pump	1	0.11
13	D00E025	密封螺塞14	Sealing Plug M14×1.5	1	0.04
14	578305012	六角螺栓M5×12	Bolt M5×12	3	0.01
15	D00L021	铝垫圈14	Aluminium Washer 14	1	0.01
16	D00L019	铝垫圈8	Aluminium Washer 8	1	0.01



E-6 右曲轴箱盖

Right Crankcase Cover

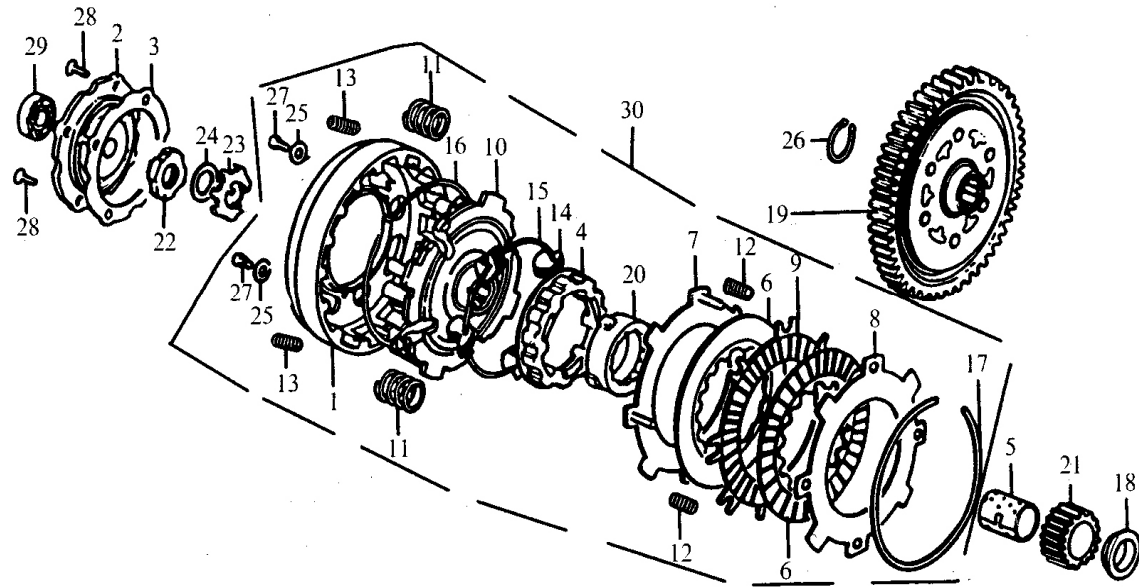


序号 Ref. No.	零部件编码 Part No.	零部件名称	Description	数量 Quantity	UNIT PRICE USD
1	D02A034	右曲轴箱盖	Right Crankcase Cover	1	5.36
2	D00B002	右曲轴箱盖密封垫	Gasket.Crankcase Cover, RH	1	0.13
3	D00C038	机油标尺	Dipstick	1	0.09
4	201G056	离合器操纵臂组件	Clutch Lever Comp	1	0.16
5	201G044	离合器凸轮盘	Clutch Plate Set	1	0.67
6	201G045	离合器挺杆	Ball Retainer Comp	1	0.33
8	D00G049	离合器调整螺栓	Clugtch Adjusting Bolt	1	0.01
9		通油管	Oil Tube	1	0.01
10	D00L013	通油管弹簧	Spring	1	0.02
11	D00L039	线夹	Cord Clip	1	0.03
12	D00L015	垫圈8MM	Washer 8MM	1	0.01
13	D00C016	油封13.8×24.5	Oil Seal 13.8×24.5	1	0.09
14	D00C060	O形圈18×3	O-Ring 18×3	1	0.01
15	D00C055	O形圈8mm	O-Ring 8mm	1	0.01
16	6170080000	六角螺母8mm	Hex Nut 8MM	1	0.01
17	97008012	定位销8×12	Dowel Pin 8×12	2	0.01



## E-7 离合器

## Clutch

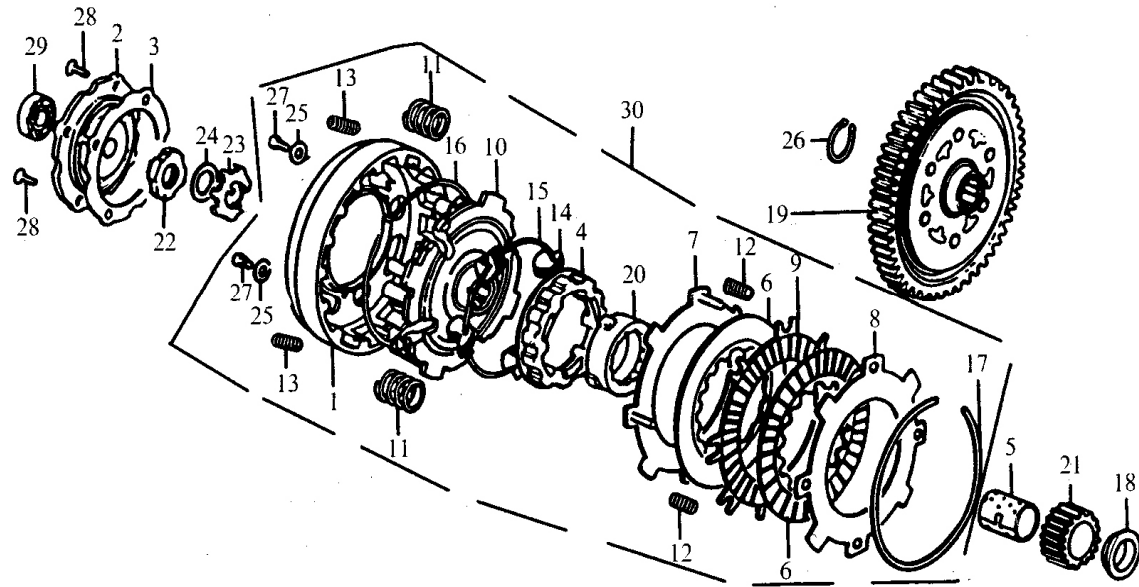


序号 Ref. No.	零部件编码 Part No.	零部件名称	Description	数量 Quantity	UNIT PRICE USD
1		离合器外罩	Cluth Hood	1	*
2	D02G029	离合器端盖	End Cover	1	*
3	D02B011	离合器端盖密封垫	Gasket	1	*
4		离合器定心滑套	Clutch element	1	*
5	A00G025	离合器轴套	Bush	1	*
6	D02G001	离合器摩擦片	Friction disk A	2	*
7	D00G062	离合器下板	Drive Plate A	1	*
8	D00G061	离合器上板	Drive Plate B	1	*
9		离合器中摩擦片	Drive Disk B	1	*
10		离合器主动盘	Drive Plate	1	*
11		离合器弹簧	Clutch Spring	4	*
12		离合器分离弹簧	Spring 5×10	4	*
13		离合器减震弹簧	Damping Spring	4	*
14		离合器飞块	Clutch Blocks	28	*
15		离合器飞块挡圈	Spring	1	*
16		离合器定位挡圈	Collar	1	*



## E-7 离合器

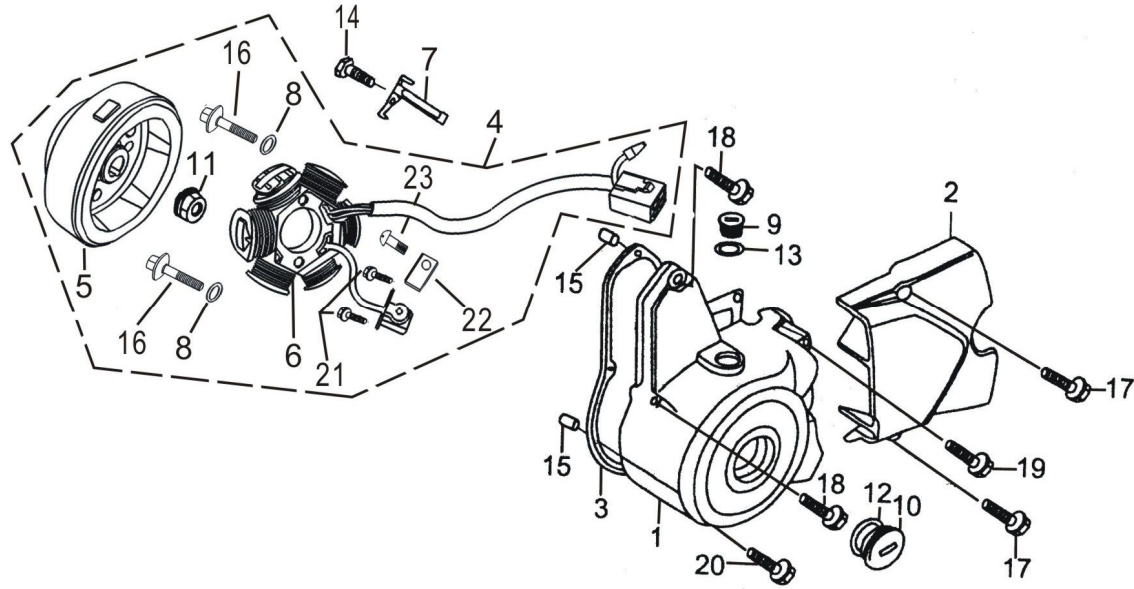
## Clutch



序号 Ref. No.	零部件编码 Part No.	零部件名称	Description	数量 Quantity	UNIT PRICE USD
17		离合器弹性挡圈	Spring Collar	1	*
18	A00G026	离合器套圈	Washer	1	*
19	D02K016	从动齿轮	Primary Driver Gear (69Z)	1	1.54
20		离合器定心套	Sleeve, Drive Gear	1	*
21	D02K016	主动齿轮	Primary Driver Gear (17Z)	1	*
22	A00G055	离合器大圆螺母	Lock Nut M14×1	1	*
23	A00G022	离合器止退垫圈	Lock Washer 14	1	*
24	A00G052	离合器碟形垫圈	Washer 14	1	*
25		垫圈5	Washer 5	4	*
26	A00K017	从动齿轮挡圈	Circlet	1	0.01
27	81805010	GB818螺钉M5×10	Screw M5×10	4	*
28	81905010	GB819螺钉M5×10	Screw M5×10	4	
29	2766000	轴承6000	Roller Bearing 6000	1	0.57
30	D02G060	离合器本体	Clutch Set	1	4.35

\* means can't be sold separately, you can't assemble it

E-8 左曲轴箱盖 磁电机 Left Crankcase Cover & Magnetic Motor

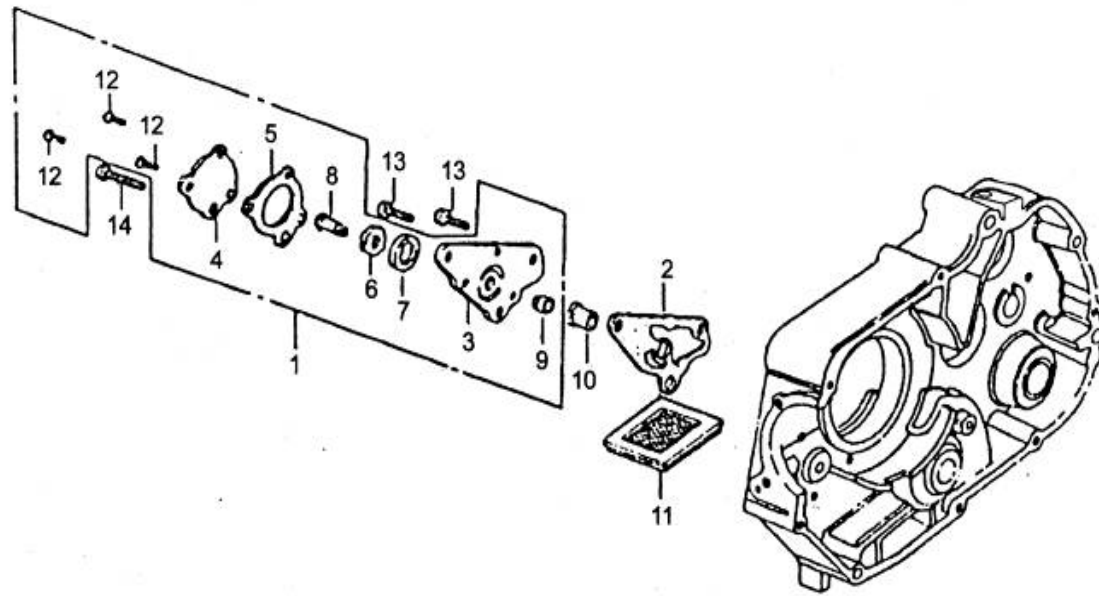


序号 Ref. No.	零部件编码 Part No.	零部件名称	Description	数量 Quantity	UNIT PRICE USD
1	D00A040	左前盖	Crankcase Cover, LH	1	2.64
2	L00WG13	左后盖	Rear Cover, LH	1	0.16
3	D00B001	左前盖密封垫	Gasket, Crankcase, LH	1	0.07
4	D00D050	磁电机总成	Magneto Assy	1	4.57
5	D00D060	磁电机转子组合	Rotor, Magneto	1	2.13
6	D00D070	磁电机定子组合	Stator, Magneto	1	2.43
7	COL011	线束压板	Wire Clamp 6	1	0.03
8	93060000	弹簧垫圈6	Washer 6	2	0.01
9	D00A042	小视孔盖	A.c generator cap	1	0.09
10	D00A043	大视孔盖	hole plug	1	0.13
11	617710000	磁电机紧固螺母M10×1.25	Lock Nut	1	0.03
12	D00C051	O形圈27.4×2.4	O-ring 27.4×2.4	1	0.01
13	D00C052	O形圈13.8×2.5	O-ring 13.8×2.5	1	0.01
14	96006016	5787螺栓M6×16	Bolt M6×16	1	0.01
15	97008012	定位销8×12	Set Pin 8×12	2	0.01
16	96006020	带盘螺栓M6×20	Bolt M6×16	2	0.02



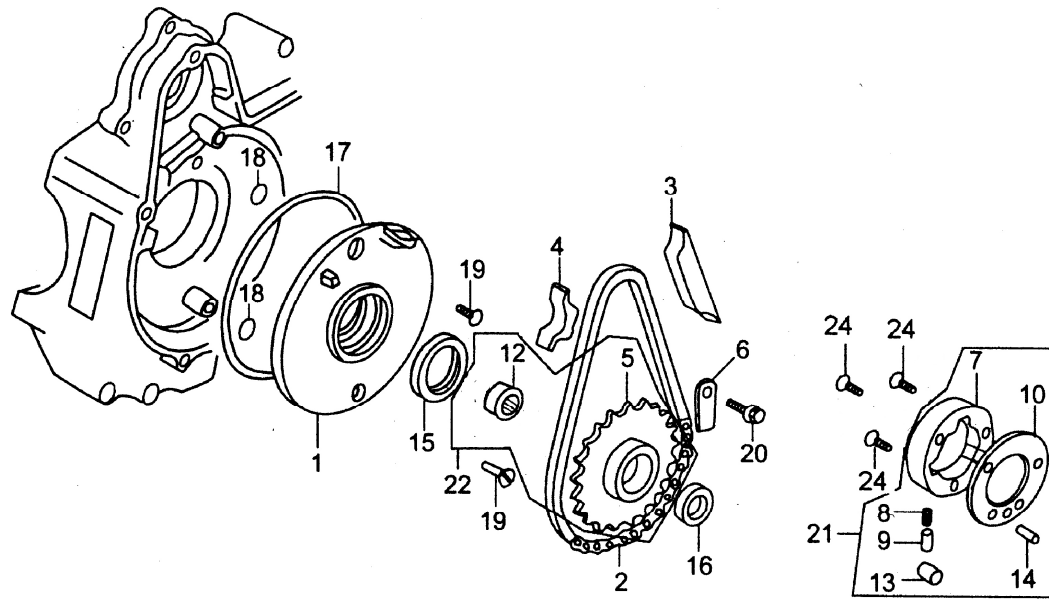
E-9 机油泵

Oil Pump



序号 Ref. No.	零部件编码 Part No.	零部件名称	Description	数量 Quantity	UNIT PRICE USD
1	D01E000	机油泵总成	Oil Pump Assy	1	2.78
2	D00B017	机油泵密封垫	Gasket, Oil Pump	1	0.04
3		机油泵体	Body, Oil Pump	1	*
4		机油泵盖	Cover, Oil Pump	1	*
5	A00E008	机油泵盖密封垫	Gasket, Oil Pump Cover	1	*
6	D00E006	机油泵内转子	Inner Rotor	1	*
7	D00E007	机油泵外转子	Outer Rotor	1	*
8	D00E027	机油泵轴	Shaft, Oil Pump	1	*
9		机油泵轴套	Sleeve	1	*
10	D00E022	机油泵链轮轴套	Bush, Sprocket Shaft	1	0.29
11	D00C037	机油过滤网组件	Gauze Set	1	0.18
12	81805010	螺钉M5×10	Screw M5×10	3	0.09
13	81806016	螺钉M6×16	Screw M6×16	2	0.06
14	81806022	螺钉M6×22	Screw M6×22	1	0.12

\* means can't be sold separately, you can't assemble it



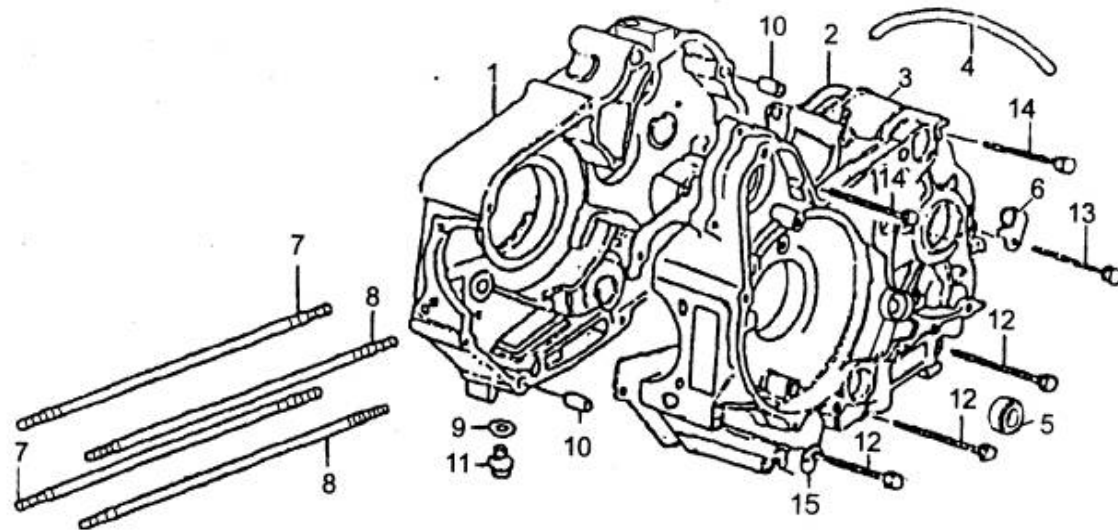
序号 Ref. No.	零部件编码 Part No.	零部件名称	Description	数量 Quantity	UNIT PRICE USD
1	D00A060	封油盘组件	Oil Separate Plate	1	0.37
2	D00I011	起动链条62T	Starting Chain, 62T	1	0.36
3	D00C006	张紧板	Starter Chain Guide	1	0.08
4	D00C007	导向板	Starter Chain Protector	1	0.08
5	D00I020	链轮组件	Starting Sprocket Comp	1	0.83
6	D00L027	起动链轮压板	Starting Sprocket Setting Plate	1	0.01
7	D00G072	起动离合器本体组合	Body, Start Clutch	1	3.57
8	D00G073	弹簧	Spring	3	0.01
9	D00G074	弹簧套	Bush, Spring	3	*
10	D00G075	起动离合器盖板	Covering Plate, Starting Clutch	1	*
12	D00I021	铜套	Starting Sprocket Collar	1	*
13	D00G071	滚子10×10	Roller 10×10	3	*
14	D00G076	起动离合器盖板销5×12	Pin 5×12	1	*
15	D00C019	油封30×42×4.5	Oil seal 30×42×4.5	1	0.23
16	D00C028	油封18.9×30×5	Oil seal 18.9×30×5	1	0.15
17	D001C062	O型圈107×2	O-ring 107×2	1	





E-12 曲轴箱

Crankcase

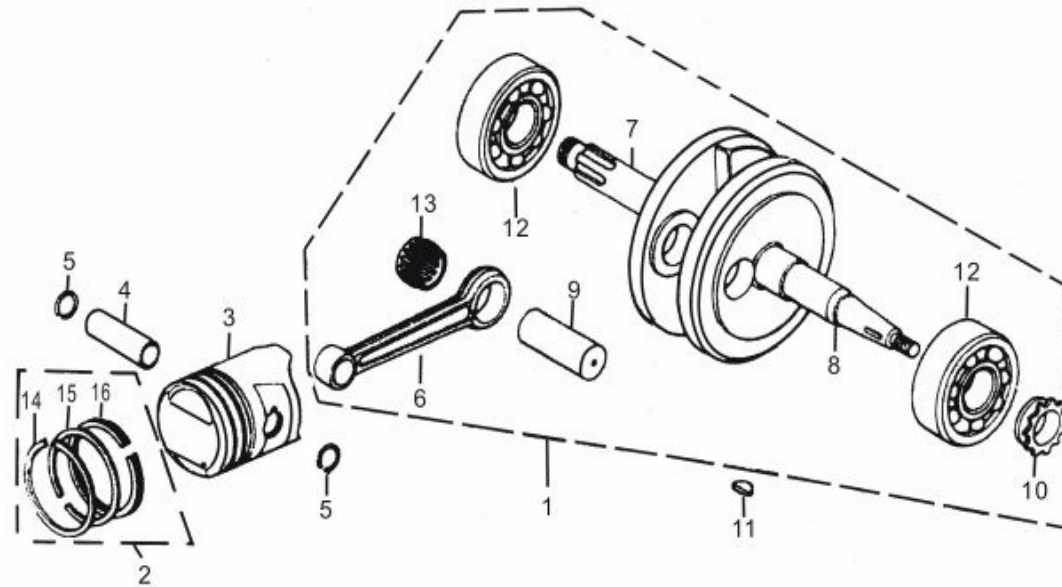


序号 Ref. No.	零部件编码 Part No.	零部件名称	Description	数量 Quantity	UNIT PRICE USD
1	D00A020	右曲轴箱组件	Crankcase Sub-Assy, RH	1	5.33
2	D00B005	曲轴箱密封垫圈	Gasket, Crankcase	1	0.13
3	D00A010	左曲轴箱组件	Crabkcase Sub-Assy, LH	1	6.26
4	D00C024	废气管	Exhaust Pipe	1	0.03
5	D00C026	变档轴油封11.6×24×10	Oil Seal 11.6×24×10	1	0.15
6	D00L014	废气管管夹	Clamp	1	0.01
7	C00M001	双头螺栓A	Bolt A, Cylinder	2	0.08
8	C00M002	双头螺栓B	Bolt B, Cylinder	2	0.08
9	D00L022	放油螺塞垫圈	Washer	1	0.01
10	97010014	定位销10×14	Dower Pin 10×14	2	0.01
11	D00E026	放油螺塞M12×1.5	Drain Plug M12×1.5	1	0.05
12	96006065	螺栓M6×65	Crown Bolt M6×65	3	0.04
13	96006050	螺栓M6×50	Crown Bolt M6×50	1	0.03
14	96006060	螺栓M6×60	Crown Bolt M6×60	2	0.03
15	D00L039	高压线夹	Pipe Clamp	1	0.03

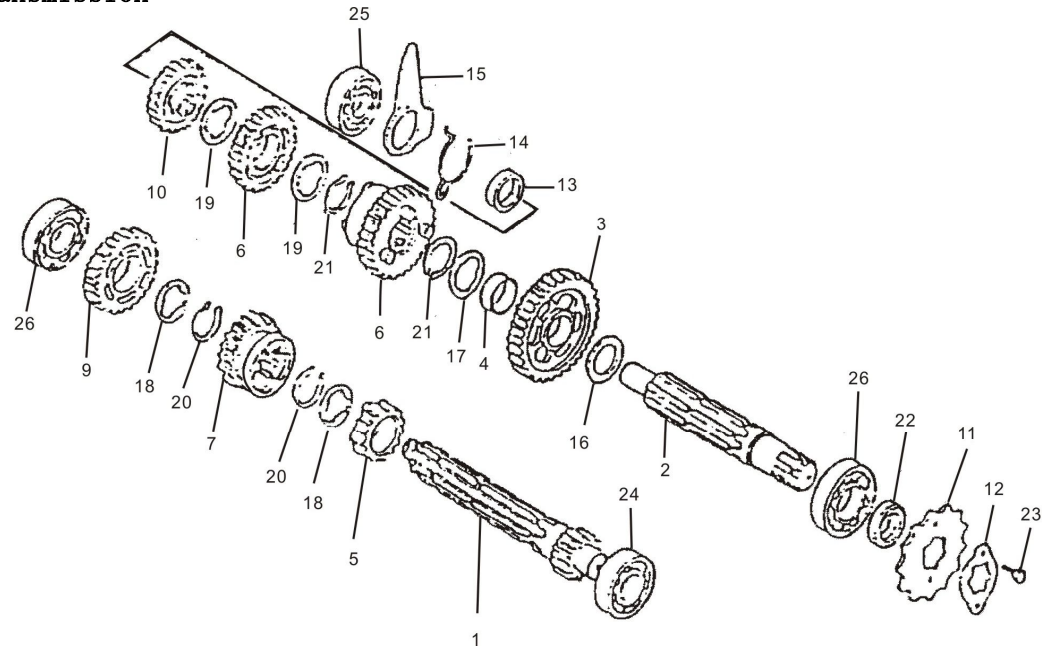


E-13 曲轴 活塞

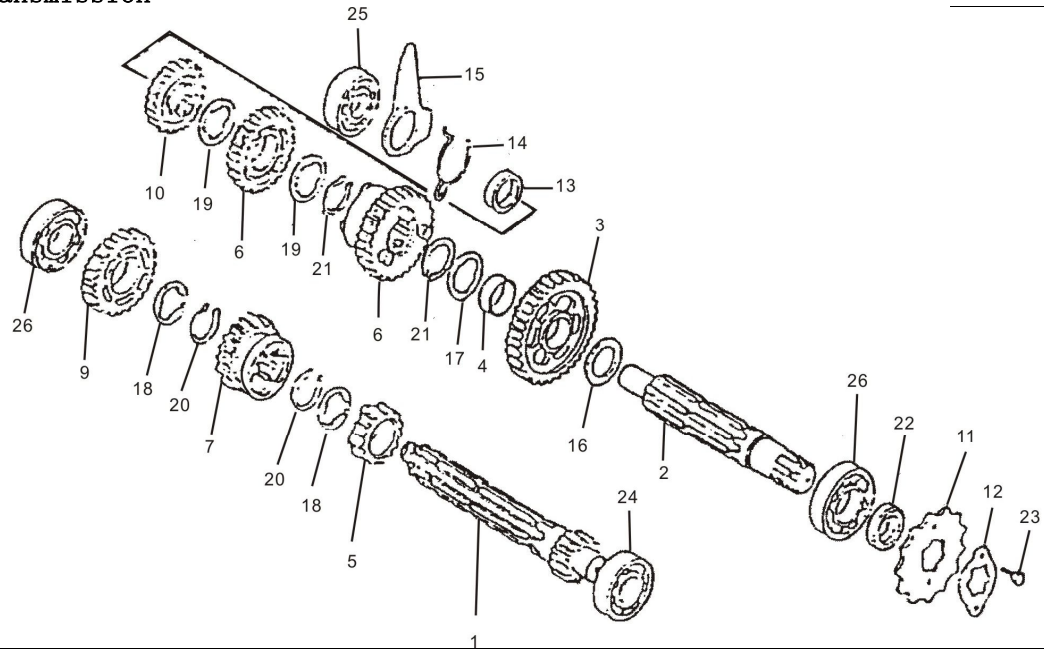
Crankshaft&amp; Piston



序号 Ref. No.	零部件编码 Part No.	零部件名称	Description	数量 Quantity	UNIT PRICE USD
1	D011J000	曲柄连杆总成	Crankshaft & Connecting Rod	1	5.47
2	E00J013	活塞环组合	Piston Ring Set	1	0.62
3	E00J014	活塞	Piston	1	0.8
4	E00J012	活塞销	Piston Pin	1	0.07
5	D00J011	活塞销挡圈	Circumferential Groove, Piston Pin	2	0.01
6	D00J025	连杆	Connecting Rod	1	*
7	D00J005	右曲柄	Crankshaft, RH	1	*
8	D00J006	左曲柄	Crankshaft, LH	1	*
9	A00J007	曲柄销	Pin, Crankshaft	1	*
10	D00J002	正时主动链轮 (14T)	Drive Sprocket, Timing (14T)	1	*
11	D00J001	半圆键	Woodruff Key	1	*
12	2766304	轴承6304	Bearing 6304	2	*
13	A00J008	连杆大头轴承	Bearing	1	*
14	E00J009	活塞环(一)	Piston Ring (I)	1	*
15	E00J010	活塞环(二)	Piston Ring (II)	1	*
16	E00J015	油环组合	Oil ring, 3-piece	1	*



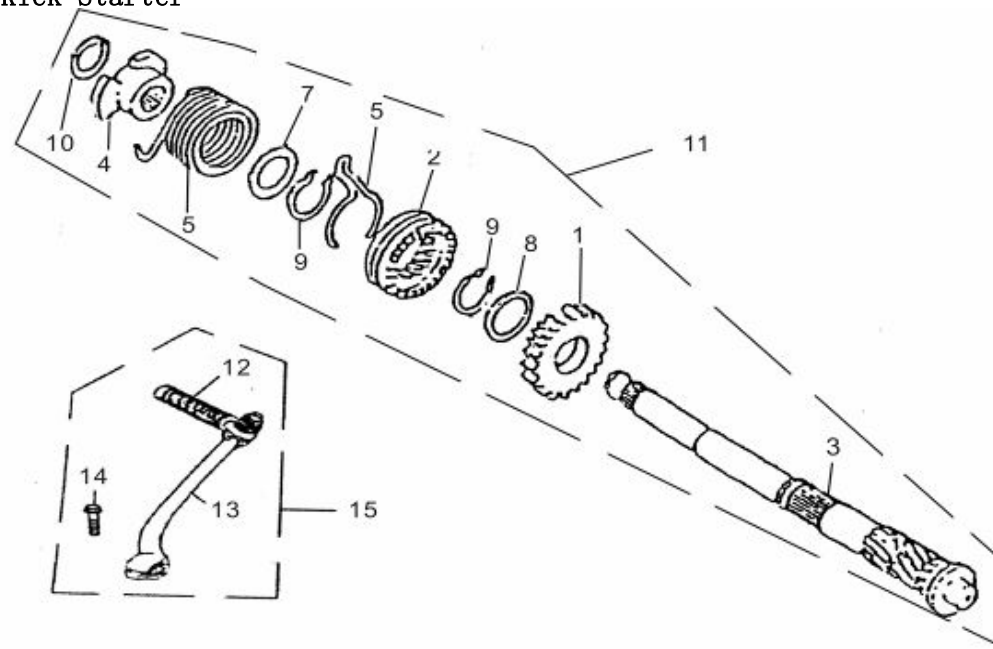
序号 Ref. No.	零部件编码 Part No.	零部件名称	Description	数量 Quantity	UNIT PRICE USD
1	D00K031	转动主轴	MAIN SHAFT	1	MAIN SHAFT COMPLETE IS 2.85
2	D00K041	转动副轴	COUNTER SHAFT	1	
3	D00K042	副轴一档齿轮	C-1 GEAR	1	
4	A00K043	衬套20×9	BUSH 20×9	1	
5	D00K032	主轴二档齿轮	M-2 GEAR	1	
6	D00K045	副轴二档齿轮	C-2 GEAR	1	
7	D00K033	主轴三档齿轮	M-3 GEAR	1	
8	D00K046	副轴三档齿轮	C-3 GEAR	1	
9	D00K034	主轴四档齿轮	M-4 GEAR	1	
10	D00K047	副轴四档齿轮	C-4 GEAR	1	
11	D00K014	主动链轮	DRIVE SPROCKET 14T	1	
12	D00K013	固定板	DRIVE SPROCKET FIXING PLATE	1	
13	D00K057	衬套	COLLAR	1	
14	D00K058	弹簧	SPRING	1	
15	D00K071	变速鼓限位板	GEARSHIFT DRUM LOCK PLATE	1	
16	A00K054	止推垫圈17mm	THRUST WASHER 17MM	1	



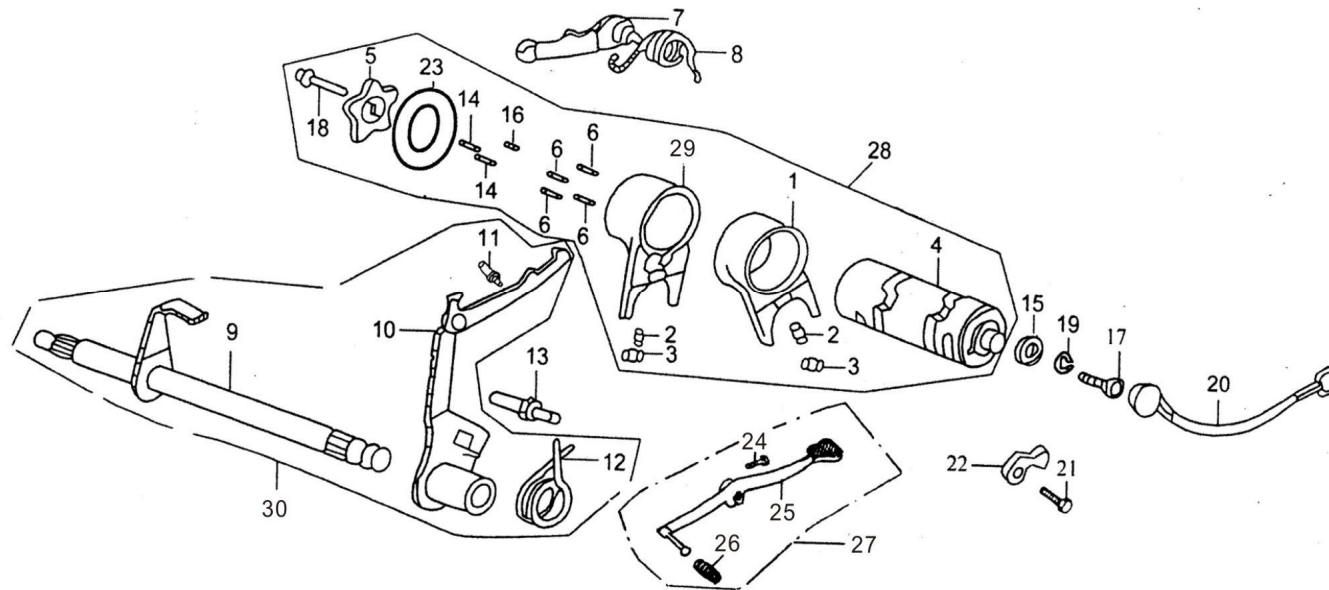
序号 Ref. No.	零部件编码 Part No.	零部件名称	Description	数量 Quantity	UNIT PRICE
					USD
17	A00K055	花键垫圈	SPLINE WASHER	1	COUNTER SHAFT COMPLETE IS 2.85
18	A00K055	花键垫圈17mm	SPLINE WASHER 17MM	2	
19	A00K052	花键垫圈20mm	SPLINE WASHER 20MM	2	
20	A00K053	档圈17mm	EXTERNAL CIRCLIP 17MM	2	
21	D00K056	档圈20mm	CIRCLIP 20MM	2	
22	D00C008	油封17×29×5	OIL SEAL 17×29×5	1	
23	578306008	螺栓6×8	HEX BOLT 6×8	2	
24	2766001	轴承6001	BEARING, RADIAL, 6001	1	
25	2766201	轴承6201	BEARING, RADIAL, 6201	1	
26	2766203	轴承6203	BEARING, RADIAL, 6203	2	

E-15 起动机机构

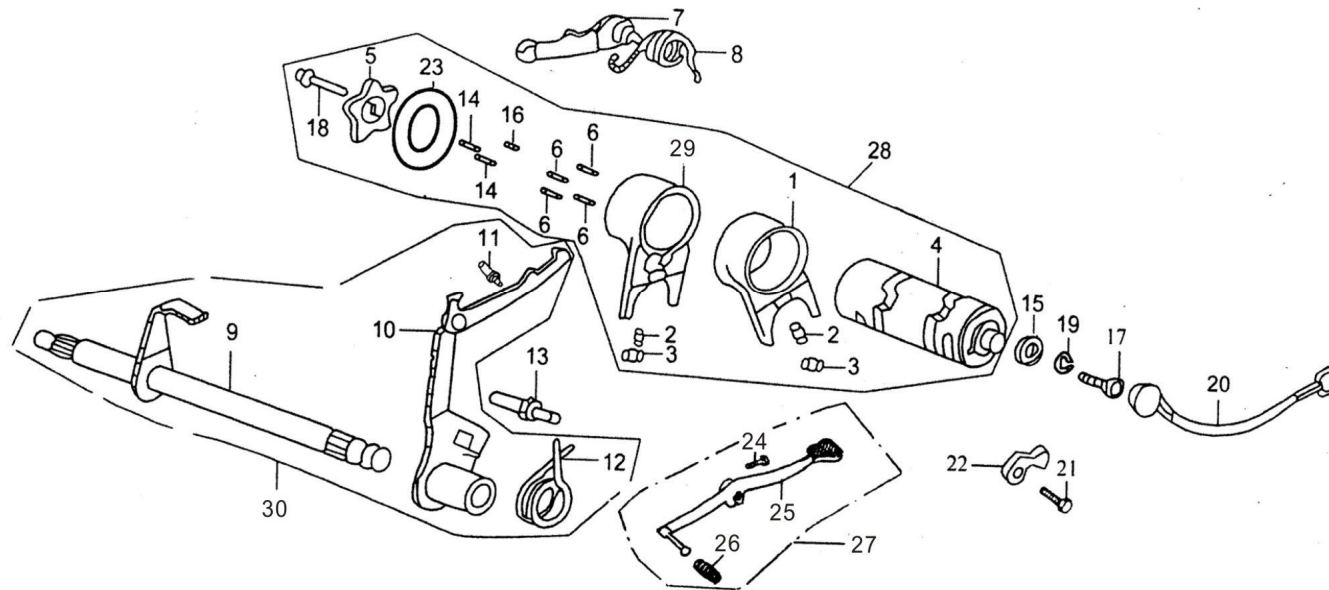
## Kick-Starters



序号 Ref. No.	零部件编码 Part No.	零部件名称	Description	数量 Quantity	UNIT PRICE USD
1	D00I009	起动齿轮	PINION KICK STARTER	1	*
2	D00I006	起动棘轮	STARTER DRIVE RATCHET	1	*
3	D00I010	起动轴	KICK STARTER SPOINDLE	1	*
4	D00I011	起动轴弹簧座	KICK SPRING RETAINER	1	*
5	D00I016	起动齿轮摩擦弹簧	STARTER PINION FRICTION SPRING	1	*
6	D00I012	起动轴复位弹簧	KICK STARTER SPRING	1	*
7	A00I008	垫圈17mm	WASHER 17MM	1	*
8	A00I004	止推垫圈20mm	THRUST WASHER 20MM	1	*
9	A00I002	档圈20mm	SER RING 20MM	2	*
10	A00I007	档圈16mm	EXTERNAL CIRCLIP 16MM	1	*
11	D00I000	起动轴组件	Starting Shaft Assy	1	1.75
12		踏杆胶套	Rubber Boot	1	*
13		起动杆组合	Kick-edal	1	*
14	578306020	螺栓M6×20	Bolt M6×20	1	*
15		起动杆总成	Kick-pedal Assy	1	0.79



序号 Ref. No.	零部件编码 Part No.	零部件名称	Description	数量 Quantity	UNIT PRICE USD
1	D00K061	拨叉(一)	Fork (I)	1	*
2	A00K069	拨销	Guide pin	2	*
3	A00K063	弹簧夹	Circlip	2	*
4	D00K066	变档鼓	Gear Shift Drum	1	*
5	D00K023	五星板	Gear Shift Drum Stopper Plate	1	*
6	D00K059	档位指示销(一)	Pin (I)	4	*
7	D00K070	变速鼓定位板组件	Locator, Gearshift	1	0.14
8	D00H009	变速鼓定位板弹簧	Torque Spring	1	0.01
9	D00K001	换档轴组合	Shaft, Gearshift	1	*
10		变档拨板组合	Shifter Set	1	*
11		变档拨板弹簧	Spring, Shifter	1	*
12		变档轴回位弹簧	Back Spring, Gearshift Shaft	1	*
13	D00K024	换档臂定位螺栓	Shift Return Spring Pin	1	*
14		滚针Φ3×8.5	Roller Φ3×8.5	2	*
15	D001D040	档显示器组件	Gear Indicating Contactor Set	1	*
16		档位指示销(二)	Gearshift Indicator (II)	1	*



序号 Ref. No.	零部件编码 Part No.	零部件名称	Description	数量 Quantity	UNIT PRICE USD
17	7006014	内六角螺钉M6×16	Bolt M6×16	1	*
18	578906016	螺钉M6×16	Bolt M6×16	1	*
19	93060000	弹性垫圈6	Spring Washer 6	1	*
20	D00D030	档位线组件	Wire Harness	1	*
21	81806012	螺钉M6×12	Screw M6×12	1	*
22	D00L034	档显线压板	Catch, Gearshift Indicator	1	*
23		档位指示销压板	Pressing Plate, Gearshift Indicator	1	*
24	578306030	螺钉M6×30	Bolt M6×30	1	*
25		变档杆焊接组合	shift lever Weldment	1	*
26		变档杆胶套	Boot, Shift Lever	1	*
27		变档杆总成	Shift Lever As	1	*
28	D00K060	变档鼓组件	Drum Set, Gearshift	1	1.64
29		拨叉(二)	Fork (II)	1	*
30	A02K000	换档臂组件	Gearshift Shaft Assy	1	0.74







目 录  
(INDEX TO ENGINE GROUP)

E-1	气缸头盖 Cylinder Head Cover	E-15	起动机构 Start Device
E-2	气缸头 Cylinder Head	E-16	变档机构 Gearshift Drum
E-3	凸轮轴 气门 Camshaft & Valves	E-17	化油器 Carburetor
E-4	正时链条 张紧器 Timing Chain & Tensioner	E-18	电器 Electric Elements
E-5	气缸体 Cylinder		
E-6	右曲轴箱盖 Right Crankcase Cover		
E-7	离合器 Clutch		
E-8	左曲轴箱盖 磁电机 Left Crankcase Cover & Magnetio		
E-9	机油泵 Oil Pump		
E-10	起动离合器 Starting Clutch		
E-11	起动电机 Starting Motor		
E-12	曲轴箱 Crankcase		
E-13	曲轴 活塞 Crankcase & Piston		
E-14	主轴和副轴		

Transmission