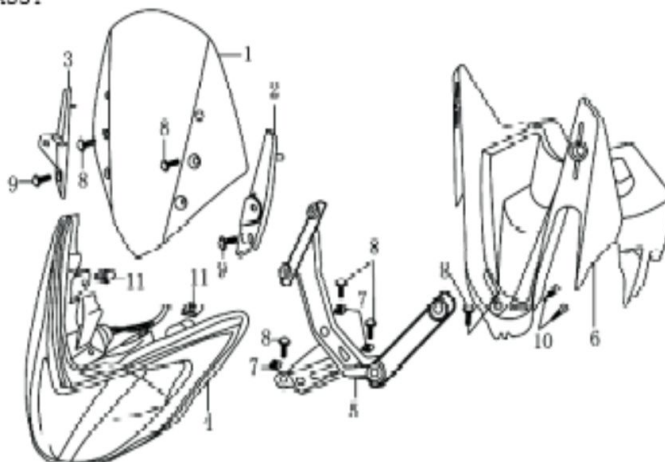


YX50/125-CF Body Catalogue

车体部分目录

| | |
|---|--|
| <p>F-1 大灯总成..... 1 HEADLIGHT ASSY</p> <p>F-2 仪表总成..... 2 METER ASSY</p> <p>F-3 方向把总成..... 3 STEERING BAR ASSY</p> <p>F-4 消声器总成..... 4 MUFFLER ASSY</p> <p>F-5 空滤器..... 5 AIR CLEANER ASSY</p> <p>F-6 坐垫 油箱..... 6 SEAT & FUEL TANK</p> <p>F-7 前减震..... 7 FRONT SHOCK ABSORBER</p> <p>F-8 前轮总成..... 8 FRONT WHEEL ASSY</p> <p>F-9 后轮总成..... 9 REAR WHEEL ASSY</p> <p>F-10 方向柱总成..... 10 STEERING STEM ASSY</p> | <p>F-11 主支架..... 11 CENTER STAND</p> <p>F-12 脚蹬 后制动踏板..... 12 FOOTREST & REAR BRAKE PEDAL</p> <p>F-13 平叉总成..... 13 REAR FORK ASSY</p> <p>F-14 覆盖件 1..... 14 BODY COVER 1</p> <p>F-15 覆盖件 2..... 15 BODY COVER 2</p> <p>F-16 覆盖件 3..... 16 BODY COVER 3</p> <p>F-17 后挡泥板及后扶手..... 17 REAR FENDER ASSY & REAR HANDRAIL</p> <p>F-18 车架总成..... 18 BODY FRAME ASSY</p> <p>F-19 主电缆..... 20 WIRING HARNESS</p> <p>F-20 随车工具..... 21 TOOL KIT</p> |
|---|--|

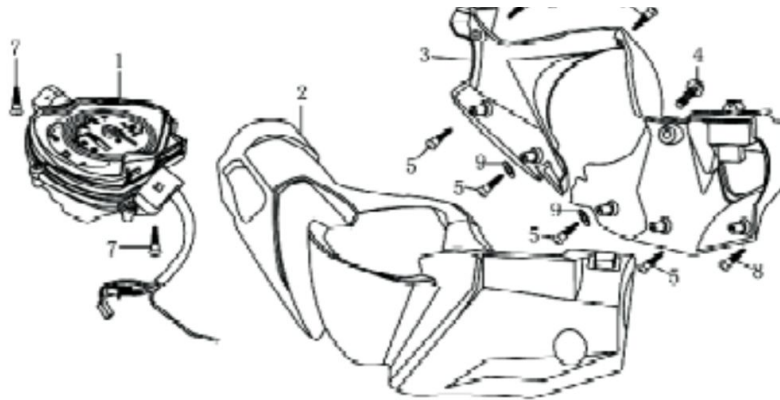
F-1 大灯总成 HEADLIGHT ASSY



| S/N. | Part No. | Description | Quantity | Remark |
|------|-------------|--------------------------------|----------|--------|
| 1 | NCCC295 | wind shield | 1 | |
| 2 | NCCC897 | front nameplate bracket(RH) | 1 | |
| 3 | NCCC898 | front nameplate bracket(LH) | 1 | |
| 4 | NCCE140 | headlight assy | 1 | |
| 5 | NCCP003 | bracket,headlight | 1 | |
| 6 | NCCC901 | cover,headlight | 1 | |
| 7 | FB08004CX | clip,nut | 3 | |
| 8 | 9074105016C | >screw with asher M5*16 | 6 | |
| 9 | 9074105012C | >screw with asher M5*13 | 2 | |
| 10 | FB01023CX | tapping screw ST4.2*13 | 2 | |
| 11 | FB08005CX | Clip,tapping screw St4.2*17*11 | 2 | |

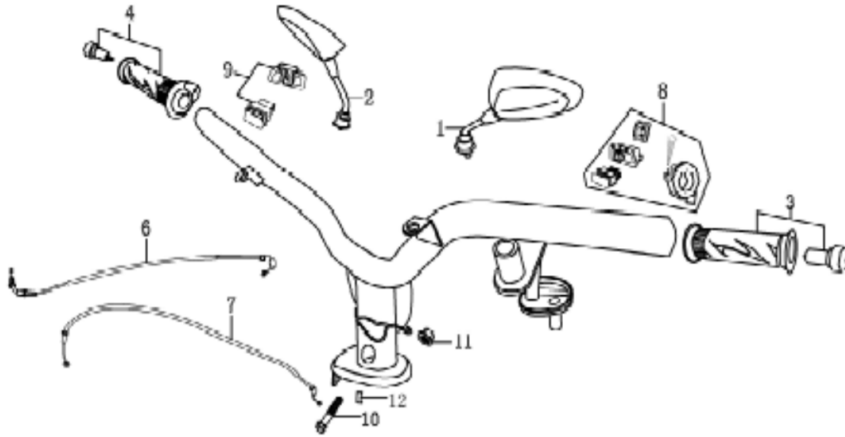
F-2 仪表总成.METER ASSY





| S/N. | Part No. | Description | Quantity | Remark |
|------|-------------|-------------------------------|----------|--------|
| 1 | NCCE120 | meter assy | 1 | |
| 2 | NCCC551 | upper cover,streering stem | 1 | |
| 3 | NCCC550 | lower cover,streering stem | 1 | |
| 4 | 9074105016C | cross screw with washer M5*16 | 1 | |
| 5 | 845042025CX | tapping srew ST4.2*25 | 4 | |
| 6 | FB01023CX | tapping srew ST4.2*13 | 2 | |
| 7 | FB01027CX | tapping srew ST4.8*16 | 2 | |
| 8 | 845048016CX | tapping srew ST4.2*17 | 1 | |
| 9 | 960005000 | washer 5 | 2 | |

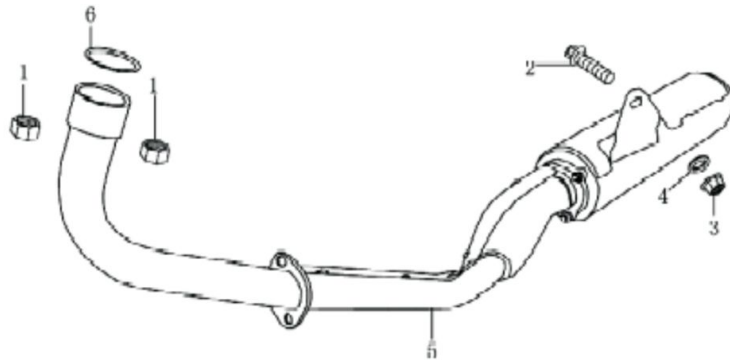
F-3 方向把总成 STEERING BAR ASSY



| S/N. | Part No. | Description | Quantity | Remark |
|------|-------------|-----------------------|----------|--------|
| 1 | NCCC035 | rear-view mirror,RH | 1 | |
| 2 | NCCC040 | rear-view mirror,LH | 1 | |
| 3 | NCCG001 | rubber grip,LH | 1 | |
| 4 | NCCG002 | rubber grip,RH | 1 | |
| 5 | NCCA050 | steering stem | 1 | |
| 6 | NCCF020 | throttle cable | 1 | |
| 7 | NCCF030 | choke cable | 1 | |
| 8 | NCCE070 | left handle bar assy | 1 | |
| 9 | NCCE080 | right handle bar assy | 1 | |
| 10 | 618710000XY | bolt,flange M10*51 | 1 | |

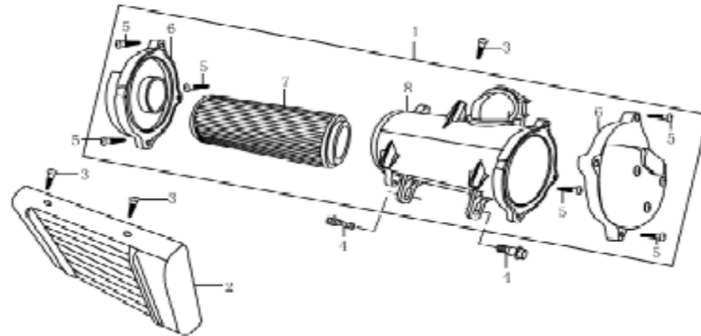
| | | | |
|----|-------------|-----------------|---|
| 11 | 578710051XY | (nut,flange M10 | 1 |
| 12 | NCCJ130 | washer | 1 |

F-4 消声器总成 MUFFLER ASSY



| S/N. | Part No. | Description | Quantity | Remark |
|------|-------------|-------------------|----------|--------|
| 1 | 560006000CX | nut M6 | 2 | |
| 2 | 578708055CX | bolt,flange M8*35 | 1 | |
| 3 | 617708000CX | nut M8 | 1 | |
| 4 | 960008000CX | washer 8 | 1 | |
| 5 | NCCQ010 | muffler assy | 1 | |
| 6 | NCCQ011 | exhaust gasket | 1s | |

F-5 空滤器 AIR CLEANER ASSY

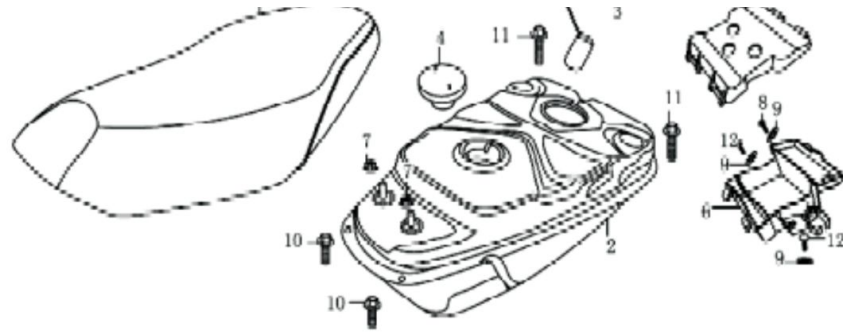


| S/N. | Part No. | Description | Quantity | Remark |
|------|-----------|-----------------------------|----------|--------|
| 1 | NCCQ020 | air cleaner assy | 1 | |
| 2 | NCCC340 | decorate plate,air cleaner | 1 | |
| 3 | FB01026CX | tapping screw ST4.8*13 | 3 | |
| 4 | FB04007CX | bolt M6*17 | 2 | |
| 5 | 845042016 | tapping screw ST4.2*16 | 6 | |
| 6 | NCCQ029 | cover,air cleaner | 2 | |
| 7 | NCCQ024 | filter element, air cleaner | 1 | |
| 8 | NCCQ022 | housing, air cleaner | 1 | |

包含在空滤器里面，
不能单独提供

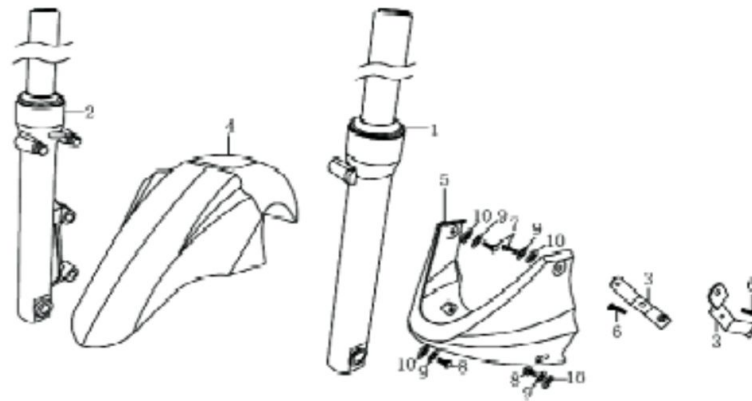
F-6 座垫 油箱 SEAT & FUEL TANK





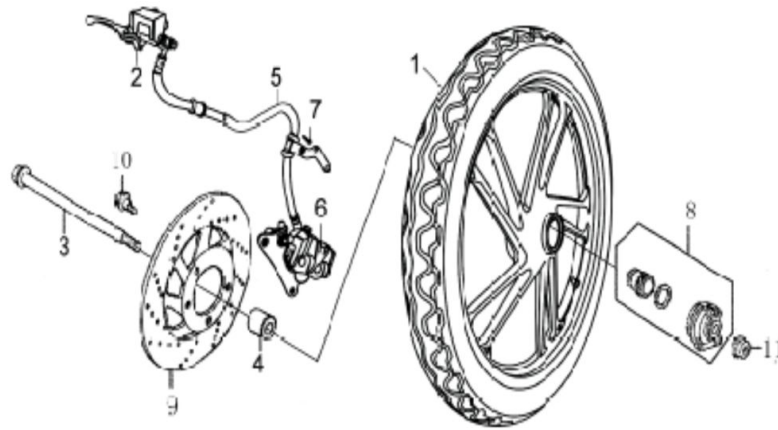
| S/N. | Part No. | Description | Quantity | Remark |
|------|-------------|----------------------|----------|--------|
| 1 | NCCC005 | seat assy | 1 | |
| 2 | N97C000 | fuel tank | 1 | |
| 3 | NCCE340 | fuel sensor assy | 1 | |
| 4 | NCCK000 | fuel cap | 1 | 含三锁 |
| 5 | NCCC190 | upper cover,tool box | 1 | |
| 6 | NCCC192 | lower cover,tool box | 1 | |
| 7 | 617706000CX | slide proof nut M6 | 2 | |
| 8 | 578706016CX | bolt,flange M6*16 | 1s | |
| 9 | 960006000CX | washer 6 | 3 | |
| 10 | 578706012CX | bolt,flange M6*12 | 2 | |
| 11 | 578708016CX | bolt,flange M8*16 | 2 | |
| 12 | FG01004 | bolt M6*17 | 2 | |

F-7 前减震 FRONT SHOCK ABSORBER



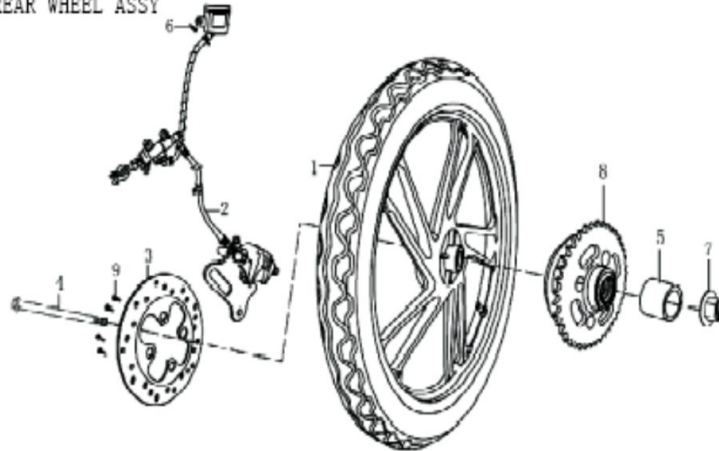
| S/N. | Part No. | Description | Quantity | Remark |
|------|-------------|--------------------------|----------|--------|
| 1 | NCCB010 | front RH, shock absorber | 1 | |
| 2 | NCCB020 | front LH, shock absorber | 1 | |
| 3 | NCCP106CX | bracket,front shock | 2 | |
| 4 | NCCC010TN | front fender assy | 1 | |
| 5 | NCCC2708L | air guide cover | 1 | |
| 6 | 578306030CX | bolt M6*30 | 2 | |
| 7 | FB01007BCR | bolt M6*60 | 2 | |
| 8 | FB01003BCR | bolt M6*16 | 2 | |
| 9 | 960006000CX | washer 6 | 4 | |
| 10 | NCCG039 | washer 6*20 | 4 | |

F-8 前轮总成 FRONT WHEEL ASSY



| S/N. | Part No. | Description | Quantity | Remark |
|------|--------------|-----------------------------------|----------|----------|
| 1 | NCCD0207F | front aluminum wheel assy | 1 | 含4.5.9 项 |
| 2 | NCCD136 | cylinder sub assy,FR brake master | 1 | |
| 3 | L00LZ066CX | axle,front wheel | 1 | |
| 4 | M00J030 | bush,front wheel | 1 | |
| 5 | NCCD135 | hose,FR disc brake | 1 | |
| 6 | NCCD138 | caliper sub assy,FR | 1 | |
| 7 | 578706012CX | bolt,flange M6*12 | 1 | |
| 8 | M14D160 | Speedometer assy | 1 | |
| 9 | NCCD131 | disc brakem front wheel | 1 | |
| 10 | 900008025 | bolt,M8*25 | 4 | |
| 11 | 618712000XYC | Nut M12 | 1 | |

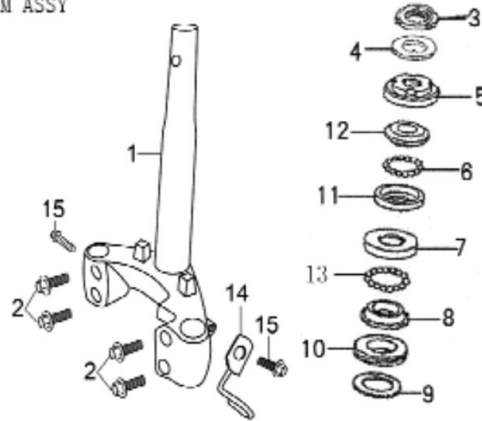
F-9 后轮总成 REAR WHEEL ASSY



| S/N. | Part No. | Description | Quantity | Remark |
|------|-------------|--------------------------|----------|--------|
| 1 | NCCD0307F | rear aluminum wheel assy | 1 | |
| 2 | NCCD140 | disc brake,rear wheel | 1 | |
| 3 | NCCD141 | rear brake disc | 1 | |
| 4 | L00LZ035CX | axle,rear wheel | 1 | |
| 5 | NCCJ050CX | bush,rear wheel | 1 | |
| 6 | 578706016CX | bolt,flange M6*16 | 1 | |

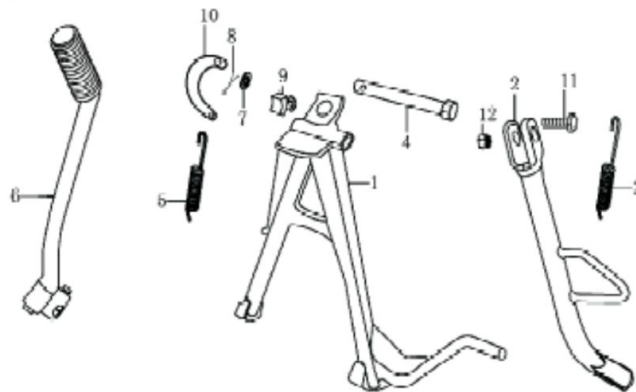
| | | |
|---|----------------------|---|
| 7 | 618712000XY(Nut M12 | 1 |
| 8 | J201D150 damping pad | 1 |
| 9 | FB04129 bolt M8*35 | 4 |

F-10 方向柱总成 STEERING STEM ASSY



| S/N. | Part No. | Description | Quantity | Remark |
|------|-------------------------|--------------------------------|----------|--------|
| 1 | NCCB050 | steering stem | 1 | |
| 2 | 578710045XY(bolt M10*45 | | 4 | |
| 3 | 578710050 | bolt M10*50 | 1 | |
| 4 | NCCB054 | lock nut,steering stem | 1 | |
| 5 | NCCB054 | adjusting washer,steering stem | 1 | |
| 6 | NCCB055 | ball stem,steel upper | 1 | |
| 7 | NCCH005 | race,steering bottom ball | 1 | |
| 8 | NCCH002 | race,steering bottom cone | 1 | |
| 9 | NCCB025 | washer | 1 | |
| 10 | NCCB051 | dust seal,steering head | 1 | |
| 11 | NCCH001 | race,steering top ball | 1 | |
| 12 | NCCH003 | race,steering top cone | 1 | |
| 13 | NCCH006 | ball set,steel lower | 1 | |
| 14 | NCCP096CX | clip,odmeter cable | 1 | |
| 15 | 57870612CX | bolt,flange M6*12 | 2 | |

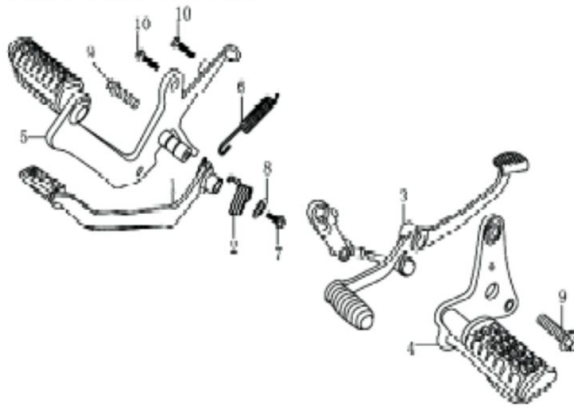
F-11 主支架 CENTER STAND



| S/N. | Part No. | Description | Quantity | Remark |
|------|----------|--------------|----------|--------|
| 1 | NCCA100 | center stand | 1 | |

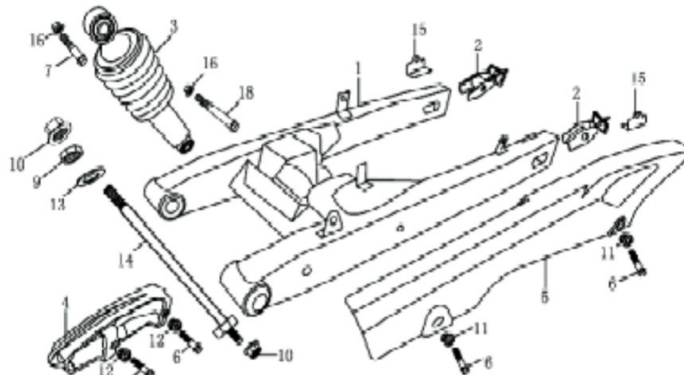
| | | | |
|----|-------------|---------------------|---|
| 2 | NCCA110 | side stand | 1 |
| 3 | NCCK030CX | spring,side stand | 1 |
| 4 | NCCH040CX | shaft,center stand | 1 |
| 5 | NCCK020CX | spring,center stand | 1 |
| 6 | L00QD115LH | kick starter | 1 |
| 7 | FB02000CX | washer | 1 |
| 8 | 910030030CX | spin 3*30 | 1 |
| 9 | L001G112 | cushion rubber | 1 |
| 10 | NCCP030 | c-shaped hook | 1 |
| 11 | FB04122 | bolt M10*33 | 1 |
| 12 | FB05031 | nut M10 | 1 |

F-12 脚蹬及后制动踏板 FOOTREST & REAR BRAKE PEDAL



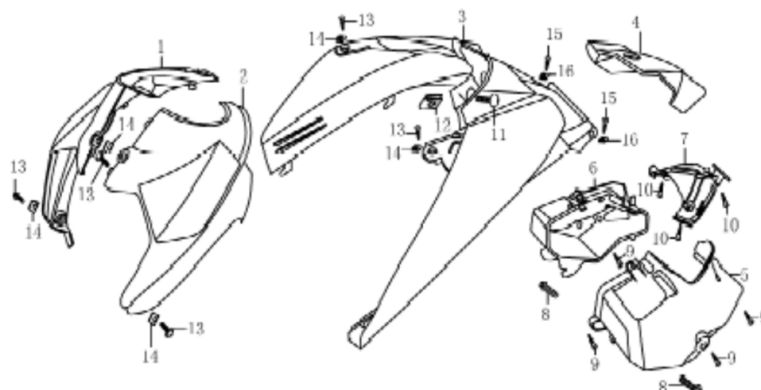
| S/N. | Part No. | Description | Quantity | Remark |
|------|-------------|--------------------------------|----------|--------|
| 1 | NCCD180 | rear brake pedal | 1 | |
| 2 | NCCK040CX | return spring,rear brake pedal | 1 | |
| 3 | L00BX183LH | gear shifting pedal | 1 | |
| 4 | NCCA120 | front footrest,LH | 1 | |
| 5 | NCCA130 | front footrest,RH | 2 | |
| 6 | N87K050CX | spring,rear brake pull-rod | 1 | |
| 7 | 578708012CX | bolt,flange M8*12 | 1 | |
| 8 | FB02103CX | washer | 1 | |
| 9 | 578708016CX | bolt,flange M8*16 | 2 | |
| 10 | 578306020CX | bolt,flange M6*20 | 2 | |

F-13 平叉总成 REAR FORK ASSY



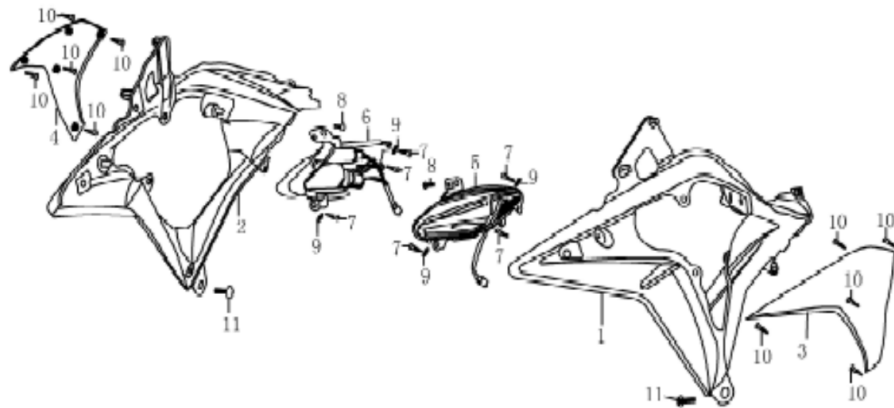
| S/N. | Part No. | Description | Quantity | Remark |
|------|--------------|---------------------|----------|--------|
| 1 | NCCN0907F | rear fork assy | 1 | |
| 2 | NCCD170CX | adjuter,drive chain | 1 | |
| 3 | NCCB070 | shock absorber | 1 | |
| 4 | N97G009 | chain guide | 1 | |
| 5 | NCCC180 | chain case | 1 | |
| 6 | 578706012CX | bolt,flange M6*12 | 4 | |
| 7 | 578710045XYC | bolt,flange M10*45 | 1 | |
| 8 | 578710085XYC | bolt,flange M10*85 | 1 | |
| 9 | 617312000XYC | nut M12 | 1 | |
| 10 | 618712000XYC | nut,flange M12 | 2 | |
| 11 | FB03001CX | collar | 2 | |
| 12 | FB03002CX | collar | 2 | |
| 13 | 971012000CX | washer 12 | 1 | |
| 14 | L00PZ082CX | shaft,rear fork | 1 | |

F-14 覆盖件1 BODY COVER 1



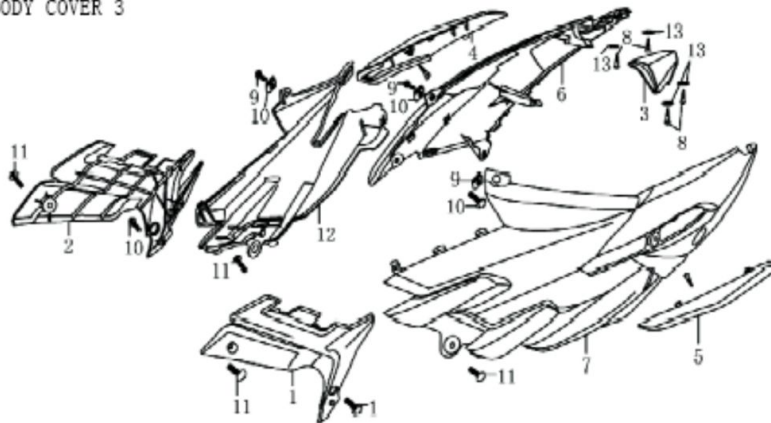
| S/N. | Part No. | Description | Quantity | Remark |
|------|-------------|--------------------------------|----------|--------|
| 1 | NCCC900 | protecting hood,RH | 1 | |
| 2 | NCCC899 | protecting hood,LH | 1 | |
| 3 | NCCC2548L | protecting hood,storage box | 1 | |
| 4 | NCCC2538L | outer cover,storage box | 1 | |
| 5 | NCCC256 | left body,storage box | 1 | |
| 6 | NCCC257 | right body,storage box | 1 | |
| 7 | NCCC255 | inner cover,storage box | 1 | |
| 8 | 578706016CX | bolt,flange M6*16 | 2 | |
| 9 | 845042013CX | tapping screw ST4.2*13 | 4 | |
| 10 | FB01023CX | tapping screw ST4.3*14 | 3 | |
| 11 | FB01003BCR | screw M6*16 | 1 | |
| 12 | FB08000CX | clip,nut M6 | 1 | |
| 13 | 9074105016C | screw with washer M5*16 | 5 | |
| 14 | FB08003CX | clip,nut M5 | 5 | |
| 15 | FB01027CX | tapping screw ST4.8*16 | 2 | |
| 16 | FB08005CX | clip,tapping screw ST4.2*17*11 | 2 | |

F-15 覆盖件2 BODY COVER 2



| S/N. | Part No. | Description | Quantity | Remark |
|------|-------------|----------------------------|----------|--------|
| 1 | NCCC123 | inner cover,wind shield,LH | 1 | |
| 2 | NCCC124 | inner cover,wind shield,RH | 1 | |
| 3 | NCCC1268L | outer cover,wind shield,LH | 1 | |
| 4 | NCCC1278L | outer cover,wind shield,RH | 1 | |
| 5 | NCCE180 | front winker,RH | 1 | |
| 6 | NCCE170 | front winker,LH | 1 | |
| 7 | 845042013CX | tapping screw ST4.2*13 | 6 | |
| 8 | 9074105016C | screw M5*16 | 2 | |
| 9 | 960005000CX | washer 5 | 4 | |
| 10 | FB01061CX | tapping screw ST4.2*10 | 10 | |
| 11 | FB01003BCR | screw M6*16 | 2 | |

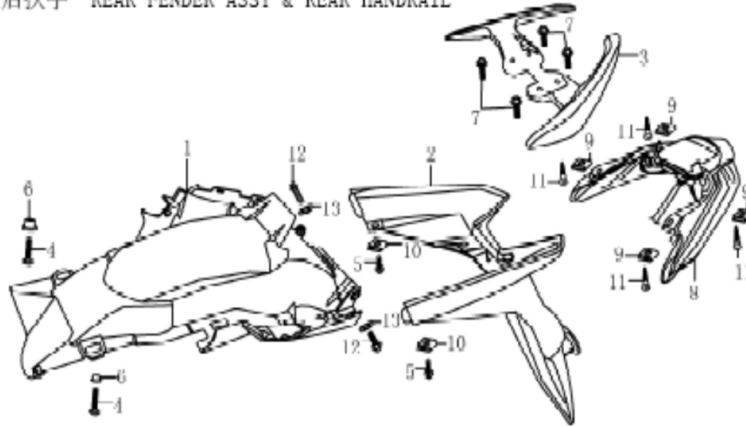
F-16 覆盖件3 BODY COVER 3



| S/N. | Part No. | Description | Quantity | Remark |
|------|-----------|------------------------|----------|--------|
| 1 | NCCC120TN | right hood | 1 | |
| 2 | NCCC115TN | left hood | 1 | |
| 3 | NCCC0858L | rear cover | 1 | |
| 4 | NCCC570 | decorate cover,RH | 1 | |
| 5 | NCCC565 | decorate cover,LH | 1 | |
| 6 | NCCC0958L | body,RH | 1 | |
| 7 | NCCC090TN | body,LH | 1 | |
| 8 | FB01061CX | tapping screw ST4.2*10 | 4 | |

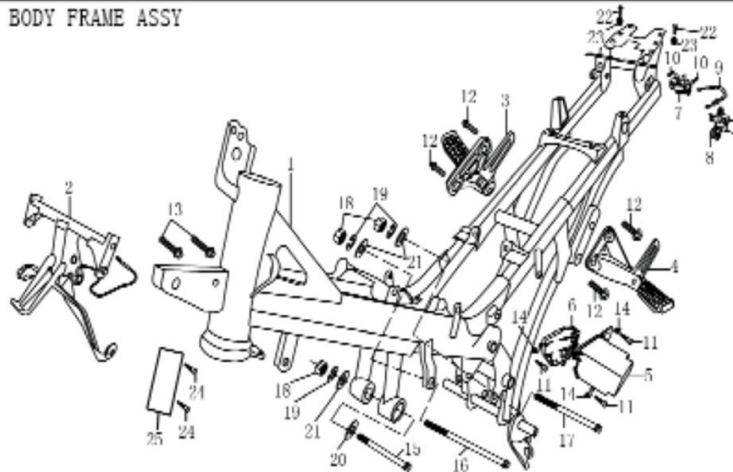
| | | | |
|----|-------------|------------------------|---|
| 9 | FB08003CX | clip M5 | 3 |
| 10 | 9074105016C | bolt with wahser M5*16 | 2 |
| 11 | FB01003BCR | screw M6*16 | 4 |
| 12 | NCCC0707M | right side cover | 1 |
| 13 | 960006000 | washer 6 | 4 |

F-17 后挡泥板及后扶手 REAR FENDER ASSY & REAR HANDRAIL



| S/N. | Part No. | Description | Quantity | Remark |
|------|-------------|------------------------------|----------|--------|
| 1 | NCCC016 | front body,frender | 1 | |
| 2 | NCCC017 | rear body,fender | 1 | |
| 3 | NCCA0407F | rear handrail | 1 | |
| 4 | 578305016CX | bolt M5*16 | 2 | |
| 5 | 9074105012C | screw M5*12 | 2 | |
| 6 | FB03002CX | washer 6.5*18*7 | 2 | |
| 7 | 578708020CX | bolt,flange M8*20 | 4 | |
| 8 | NCCE210 | taillight | 1 | |
| 9 | FB01027CX | clip,tapping screw 4.2*17*11 | 4 | |
| 10 | FB08003CX | clip M5 | 2 | |
| 11 | FB08005CX | tapping screw ST4.8*16 | 4 | |
| 12 | 578706016CX | bolt,flange M6*16 | 2 | |
| 13 | 960005000CX | washer 5 | 2 | |

F-18 车架总成 BODY FRAME ASSY

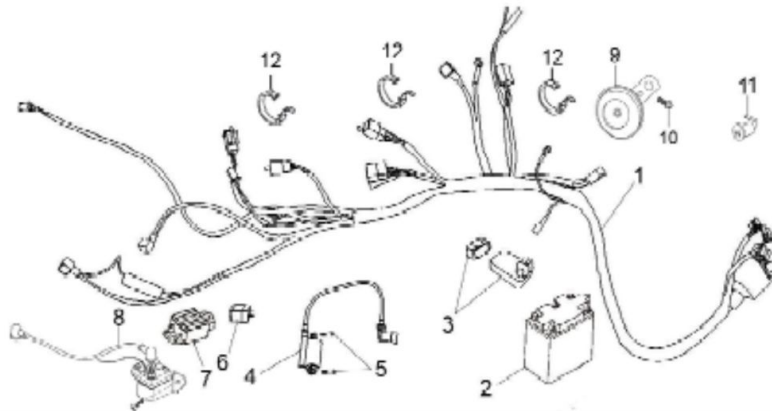


| S/N. | Part No. | Description | Quantity | Remark |
|------|----------|-------------|----------|--------|
|------|----------|-------------|----------|--------|

| | | | |
|----|-------------|-------------------------|---|
| 1 | NCCA000 | body frame assy | 1 |
| 2 | NCCP002 | bracket, panel | 1 |
| 3 | NCCA170 | rear footrest,RH | 1 |
| 4 | NCCA160 | rear footrest,LH | 1 |
| 5 | NCCA185 | battery box | 1 |
| 6 | NCCA187 | cover,battery box | 1 |
| 7 | NCCPO48CX | socket,seat lock | 1 |
| 8 | NCCK003 | seat lock | 1 |
| 9 | NCCF060 | seat cable | 1 |
| 10 | 578706012CX | bolt,flange M6*12 | 2 |
| 11 | 9074105016C | screw with washer M5*16 | 3 |
| 12 | 578708020CX | bolt,flange M8*20 | 4 |
| 13 | 578708035CX | bolt,flange M8*35 | 2 |
| 14 | FB08003CX | clip,nut M8 | 3 |
| 15 | 578708095CX | bolt,flange M8*95 | 1 |
| 16 | 578708115CX | bolt,flange M8*115 | 1 |
| 17 | 578708105CX | bolt,flange M8*105 | 1 |
| 18 | 617008000CX | nut M8 | 3 |
| 19 | 930008000CX | spring washer | 3 |
| 20 | 960008000CX | washer | 2 |
| 21 | 971008000CX | washer | 2 |
| 22 | 578306025CX | bolt M6*25 | 2 |
| 23 | FB03004CX | washer | 2 |
| 24 | 1261832007 | riret | 2 |
| 25 | L00L000EL | nameplate | 1 |

含在三锁里了

F-19 主电缆 WIRING HARNESS

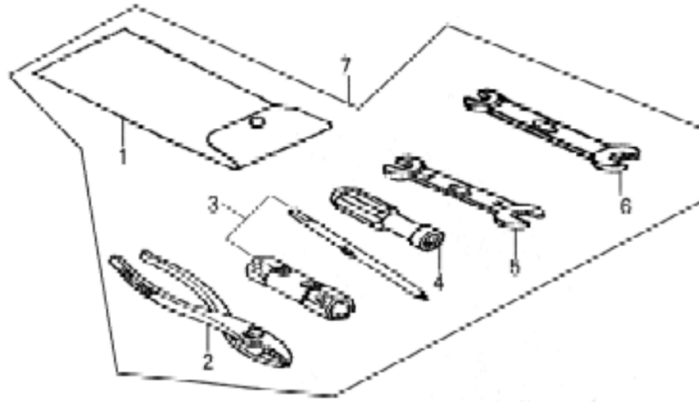


| S/N. | Part No. | Description | Quantity | Remark |
|------|-------------|--------------------------|----------|--------|
| 1 | NCCE000 | wiring harness | 1 | |
| 2 | LOOED24T | battery | 1 | |
| 3 | LOOE050 | C.D.I unit | 1 | |
| 4 | NOOE010 | coll assy,ignition | 1 | |
| 5 | 578305020CX | bolt M5*20 | 2 | |
| 6 | LOOE040 | flash relay | 1 | |
| 7 | LOO1E020 | rectifier assy,regulator | 1 | |

| | | | |
|----|-------------|----------------|---|
| 8 | LOOE030 | start relay | 1 |
| 9 | LOOE330CX | horn | 1 |
| 10 | 578306018CX | bolt M6*12 | 1 |
| 11 | NCCK007 | lock | 3 |
| 12 | NCCG035 | plastics clamp | |

已含在三锁了

F-20 随车工具 TOOL KIT



| S/N. | Part No. | Description | Quantity | Remark |
|------|----------|--------------------------|----------|--------|
| 1 | L00N006 | tool bag | 1 | |
| 2 | L00N005 | slip-joint pliers | 1 | |
| 3 | L00N001 | spark plug wrench | 1 | |
| 4 | L00N002 | double-end screw driver | 1 | |
| 5 | L00N003 | open-ended spanner 8*10 | 1 | |
| 6 | L00N004 | open-ended spanner 12*14 | 1 | |
| 7 | L00N000 | tool kit | 1 | |

