



**In case you need any Clarification or Service Assistance, please contact our Dealer**

Dealer code , name .....

Address .....

.....

Contact person name and mobile no. (Sales)

.....

Contact person name and mobile no. (Service)

.....

Email id .....

**Or**

**TVS Motor Company's Area Offices (flip over for addresses)**

**Or**

**Toll Free Number : 18004252077**

**Email : [Service.Support@tvsmotor.com](mailto:Service.Support@tvsmotor.com)**

### CONTACT AT OUR AREA OFFICES

#### TAMILNADU-1

##### 1. TVS Motor Company Limited

SPL - Sriram Nivas, 1st Floor,  
No. 38, Venkatakrishna Road,  
Mandaveli, Chennai - 600 028.  
Phone : 044-24951652/24950018  
Email : AO.Chennai@tvsomotor.com

#### TAMILNADU-2

##### 2. TVS Motor Company Limited

No.10, 2nd floor,  
Shree Shanmugapriya Towers,  
Kannuswamy Street,  
Behind Hotel Annapoorna,  
R S Puram, Coimbatore - 641 002.  
Phone : 0422-4350060/2541035  
Email : AO.Coimbatore@tvsomotor.com

#### TAMILNADU-3

##### 3. TVS Motor Company Limited

D-09, Srinidhi Block, Agrini Apartments,  
Andalpuram, TPK Road,  
Madurai - 625 003.  
Phone : 0452-4208690  
Email : AO.Madurai@tvsomotor.com

#### TAMILNADU-4 & PONDICHERY

##### 4. TVS Motor Company Limited

No. 37, 1st Floor,  
West Brindavanam,  
Near Le Royal Park Hotel,  
Puducherry - 605 013.  
Email : AO.Pondicherry@tvsomotor.com

#### KERALA

##### 5. TVS Motor Company Limited

Ambady Towers, Second Floor,  
Door No. 27/631, A6,  
Edappally-Pookkattupady Road,  
Edappally PO., Cochin - 682 024.  
Phone : 0484-2544578/2556938  
Email : AO.Cochin@tvsomotor.com

#### ANDHRA PRADESH-1

##### 6. TVS Motor Company Limited

D-19, 302-3rd floor, Gayathri Arcade,  
Vikrampuri, Secunderabad - 500 003.  
Phone : 040-27840590/27844419  
Email : AO.Hyderabad@tvsomotor.com

#### ANDHRA PRADESH-2

##### 7. TVS Motor Company Limited

Door No. 58-2-35, NCK Plaza,  
NTR Circle, Patamata,  
Vijayawada - 520 010.  
Phone : 0866-6575100  
Email : AO.Vijayawada@tvsomotor.com

#### KARNATAKA-1

##### 8. TVS Motor Company Limited

#600, Anand Surya, 2nd Floor, 5th Cross,  
6th Phase, JP Nagar, BMTC Stop,  
Bangalore - 560 078.  
Phone : 080-42455000/25118000  
Email : AO.Bangalore@tvsomotor.com

#### KARNATAKA-2 & GOA

##### 9. TVS Motor Company Limited

BDP Plaza, 3rd floor, New Cotton Market,  
Karnataka Bank Road, Hubli - 580 029.  
Phone : 0836-4250617/4250618  
Email : AO.Hubli@tvsomotor.com

## CONTACT(S) FOR SUPPORT



## CONTACT AT OUR AREA OFFICES

Email : AO.Rajpur@tvsmotor.com

### MADHYA PRADESH-1

#### 13. TVS Motor Company Limited

211-212, 2nd floor,  
Chinar Incube Business centre,  
Chinar Fortune City,  
Near Brindavan Dhaba,  
Hoshangabad Road, Bhopal - 462 026.  
Phone : 0755-2499406/2499306  
Email : AO.Bhopal@tvsmotor.com

### MADHYA PRADESH-2

#### 14. TVS Motor Company Limited

301, 3rd floor,  
Shagun Arcade, Vijay Nagar,  
Indore - 452 010.  
Phone : 9826388896  
Email : AO.Indore@tvsmotor.com

### GUJARAT

#### 15. TVS Motor Company Limited

109, Ayana Complex,  
Opp : Suvarna Villa Bungalows,  
100 ft Thaltej Hebatpur road,  
Off : S.G. highway, Thaltej,

Ahmedabad - 380 054.

Phone : 079-65443748

Email : AO.Ahmedabad@tvsmotor.com

### UTTAR PRADESH-EAST & CENTRAL

#### 16. TVS Motor Company Limited

1st floor, Cyber Tower, TC-34/V-2,  
Vibhuti Khand, Gomti Nagar,  
Lucknow - 226 010.  
Phone : 0522-4918300  
Email : AO.Upe@tvsmotor.com  
AO.upc@tvsmotor.com

### UTTAR PRADESH-WEST & UTTARAKHAND

#### 17. TVS Motor Company Limited

K-23, 1st floor, Lajpat nagar, Part II,  
New Delhi - 110 024.  
Phone : 011-29834773/29834640  
Email : AO.Upw@tvsmotor.com

### DELHI & HARYANA

#### 18. TVS Motor Company Limited

K-23, 1st floor, Lajpat nagar, Part II,  
New Delhi - 110 024.  
Phone : 011-29834773/29834640  
Email : AO.Delhi@tvsmotor.com

AO.Haryana@tvsmotor.com

### PUNJAB, HIMACHAL PRADESH, JAMMU & KASHMIR

#### 19. TVS Motor Company Limited

SCF- 10-11, Kalghaidhar Enclave,  
Baltana Road, Zirakpur,  
District Mohali - 140 603.  
Phone : 01762-653477/653480  
Email : AO.Chandigarh@tvsmotor.com

### RAJASTHAN-1

#### 20. TVS Motor Company Limited

Plot No. 16-17,  
Top floor of National Motors,  
Jhotwara Industrial Area,  
Jaipur - 302 012.  
Phone : 0141-5150900/5150901  
Email : AO.Jaipur@tvsmotor.com

### RAJASTHAN-2

#### 21. TVS Motor Company Limited

204, 2nd floor,  
Daulet Chambers, 4-D,  
Sardarpura, Udaipur - 313 004.

## CONTACT(S) FOR SUPPORT



### CONTACT AT OUR AREA OFFICES

Phone : 9001897485

Email : AO.Udaipur@tvsmotor.com

#### BIHAR

##### 22. TVS Motor Company Limited

N-Plaza, Jamal Road,

P.S. Kotwali, Patna - 800 001.

Phone : 0612-2200068/2200069

Email : AO.BNJ@tvsmotor.com

#### JHARKHAND

##### 23. TVS Motor Company Limited

2nd floor, Lucas Building,

Argora Bypass Road,

Ranchi - 834 002.

Phone : 0651-2244715

Email : AO.Ranchi@tvsmotor.com

#### ODISHA

##### 24. TVS Motor Company Limited

#303, 3rd floor,

Creative Plaza, Rasulgarh,

Bhubaneswar - 751 010.

Phone : 0674-2580018/2580019

Email : AO.Bhubaneswar@tvsmotor.com

#### WEST BENGAL

##### 25. TVS Motor Company Limited

9/2, Dover lane, Ground floor,

Gariahat, Kolkata - 700 029.

Phone : 033-24617092/24617096

Email : AO.kolkata@tvsmotor.com

#### NORTH EAST STATES

##### 26. TVS Motor Company Limited

147, Udayan, Ganesh Guri,

Opp. Punjab National Bank,

R G B. Road,

Guwahati - 781 005.

Phone : 0361-2202030/2202031

Email : AO.Guwahati@tvsmotor.com

Dear Customer,

Congratulations! Over one crore Indians are part of the **TVS moped** family and now, it gives us great pleasure to welcome you to it. We hope you have a great journey ahead just as millions of satisfied TVS customers have.

With stringent quality checks, great attention and care has been taken to ensure that your TVS XL 100 is in a perfect operating condition as it leaves our factory. With a powerful engine and great new features, all you have to do is to fill up your new TVS XL 100 with fuel and get going.

This manual will help you get the best performance out of your new TVS XL 100. From information on how best to ride it to its maintenance, you will find all the relevant information in the following pages. Follow them carefully to make the most of your vehicle.

We're delighted to inform you that as part of our company policy, you are entitled to benefits for the maintenance of your vehicle. Free services and other warranty repairs can be availed from the TVS Motor Company Authorised Main Dealers/Authorised Dealers nearest to you. The staff at the Authorised Main Dealers/Authorised Dealers have been trained by us to take great care of your after sales/service requirements.

We wish you a long and fruitful journey ahead with your TVS XL 100, for years and years to come.

Warm regards,

**TVS MOTOR COMPANY LIMITED**

This manual should be considered as a permanent part of the vehicle and should remain with the vehicle when resold or transferred to a new owner.

All information, illustrations, photographs and specifications contained in this owner's manual are based on the latest product information available at the time of this publication. TVS Motor Company Limited may, however, incorporate modifications or improvements on its vehicles at any time without notice, and therefore, in such events it is possible that the relevant part of the owner's manual does not apply to your vehicle.

Prior permission of TVS Motor Company Limited is required for quoting, copying or reproducing any part of this owner's manual.

 **Note**

*Accessories shown in the picture may not be part of the standard equipment.*

Operating this vehicle safely is an important responsibility of the rider. To help you make decisions about safety, we have provided operating procedure and other information in this manual. This information alerts you on potential hazards that could hurt you or others. Since it is not possible to warn you about all hazards associated with operating or maintaining the vehicle, you must use your own judgement.

You will find important safety information in following form in this manual. These words carry the following connotations:

### Warning

*Disregarding this message might result in **injury to the rider**.*

### Caution

*This message indicates special procedures or precautions to be followed to **avoid damage to the vehicle**.*

### Note

*This message provides further clarification for **clearer understanding of any particular information**.*

Running-in information	01
Know your TVS XL 100	02
Riding your TVS XL 100	12
Maintenance	15
Warranty and services	28
Technical specifications	39
General information	41



The first 1000 km is a crucial part of your vehicle. Proper running-in operation during this period helps in ensuring a **maximum life** and **smooth performance** of your vehicle.

The reliability and performance of your vehicle depends on the special care and restraint exercised during the running-in period. It is especially important that you avoid operating the engine in high speed (RPM), which could expose the engine parts to excessive stress. Maximum recommended speed during the running-in is:

**Maximum 40 kmph speed upto 1000 km** (vary the engine speed for better mating of parts).

The first free service at 500 ~ 750 km is most important. During running-in period all the engine components and other parts will have set in. All adjustments to be restored, all fasteners to be tightened. Engine cum transmission oil to be replaced. Timely performance of the first free service will ensure optimum service life and performance from the engine.

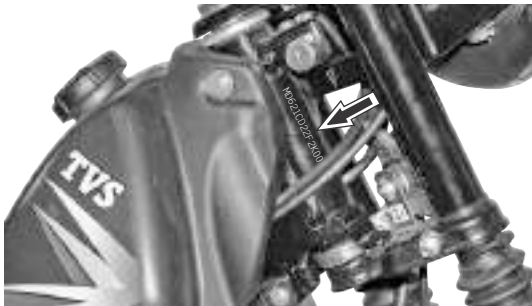


### Caution

*Replacing the engine cum transmission oil during first free service is most important for better life of engine. Always use TVS TRU4 PREMIUM oil (SAE 10W30 API-SL, JASO MA2) for better performance and life.*

### VEHICLE IDENTIFICATION NUMBER

Serial numbers of both frame and engine are required for vehicle identification. They are also required to assist your Dealer for operating parts or referring to special information.



The frame serial number is stamped on the right side of the steering head tube.



The engine serial number is stamped on the top surface of right side crankcase near engine breather tube.

Frame number

--	--	--	--	--	--	--	--	--	--	--	--	--	--	--	--	--	--	--	--

Engine number

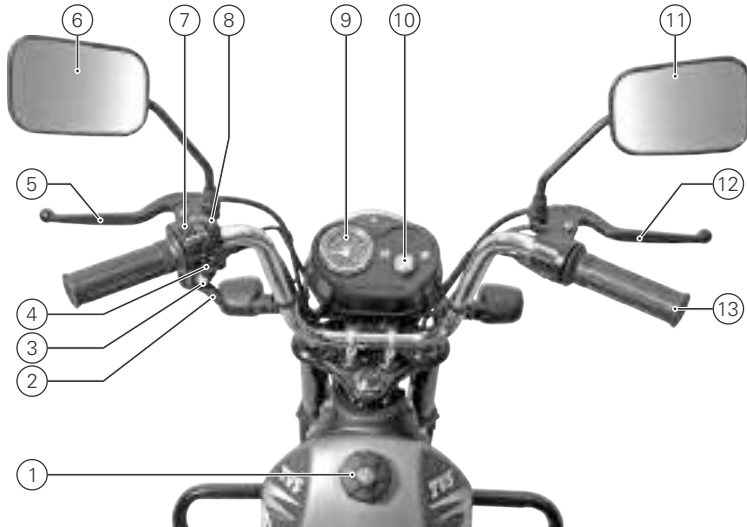
--	--	--	--	--	--	--	--	--	--	--	--	--	--	--	--	--	--	--	--

Control key number

--	--	--	--	--	--	--	--	--	--	--	--	--	--	--	--	--	--	--	--

Please fill the above boxes now for future reference

LOCATION OF PARTS - HANDLE BAR



1. Fuel tank cap
2. Choke lever
3. Horn switch
4. Turn signal lamp switch
5. Rear brake lever
6. Rear view mirror L\*
7. Headlamp switch
8. High / low beam switch
9. Speedometer
10. Ignition switch
11. Rear view mirror R\*
12. Front brake lever
13. Throttle grip

\* Optional accessory will be charged extra

### CONTROL KEY

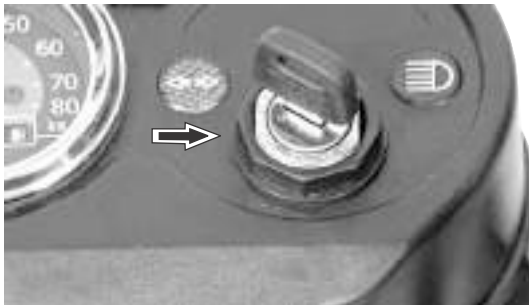
TVS XL 100 comes with a pair of identical control keys. These keys are to operate ignition switch, steering lock, fuel tank cap, tool box lock and seat lock.

### IGNITION SWITCH

The ignition switch has two positions:

#### 1. 'OFF' position

All the electrical circuits are turned 'OFF' in this position. Engine will not start. Key can be taken out.



#### 2. 'ON' position

In this position, all the electrical circuits are turned 'ON' and the engine can be started now. Key cannot be removed in this position.

### SPEEDOMETER ASSEMBLY

#### 1. Odometer

Registers and displays the total distance covered by the vehicle in kilometers. The last digit denotes one tenth of a kilometer.

#### 2. Speedometer

Indicates vehicle speed in kilometers per hour.



### 3. Turn signal indicator lamp

Flashes when the 'left' or 'right' side turn signal lamp is activated.

### 4. High beam indicator lamp

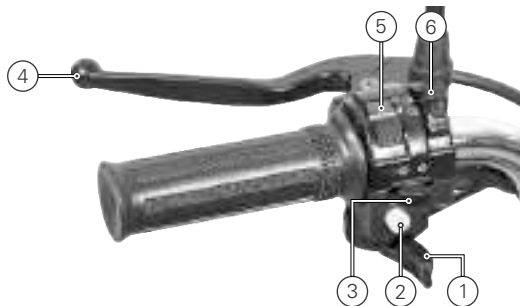
Glowes when the head lamp high beam is activated.

## HANDLE BAR LEFT SIDE

### 1. Choke lever

Pull the choke lever towards left to apply choke.

**During cold start, apply the choke and start the vehicle without opening of throttle.**



Once the engine is started and running in stable RPM, release the choke and ride the vehicle.

### 2. Horn switch

Press the switch '📢' to operate the horn.

### 3. Turn signal lamp switch

Slide the turn signal lamp switch to left '↶' or right side '↷' to operate respective turn signal lamps (LH/RH). Slide the knob to the center position to turn 'OFF' the lamps.

## ⚠ Warning

*Always use the appropriate turn signal lamps when you intend to change lanes or take turns. Be sure to switch 'OFF' the turn signal lamps after negotiating the turns or lanes.*

## 👉 Caution

*Always use choke for starting the cold engine. Never open the throttle fully when the choke is applied. It may lead to flooding of engine and difficulty in starting.*

#### 4. Rear brake lever

The rear brake is applied by squeezing the rear brake lever gently towards the handle grip. The brake lamp glows on application of the rear brake.

#### 5. Head lamp switch

Head lamp switch has two positions, they are:

OFF: Head lamp, speedometer lamp and tail lamp are turned 'OFF' when the switch is positioned at '●' even though the engine is running.

ON: Head lamp, speedometer lamp and tail lamp glows when the switch is positioned at '☀' and engine is running.

#### 6. Head lamp high/low beam switch

With the head lamp in 'ON' condition, slide the beam control switch towards '≡D' to turn-on the head lamp high beam. Slide the switch towards '≡D' to turn-on the head lamp low beam.



#### Warning

*Use appropriate head lamp beam 'high/low' as per the traffic and road conditions for your safety and to avoid inconvenience to other riders.*

### HANDLE BAR RIGHT SIDE

#### 1. Throttle grip

Engine speed is controlled by the rotation of the throttle grip. Twist it towards you to increase the engine speed and away from you or release it to decrease the engine speed.

#### 2. Front brake lever

The front brake is applied by squeezing the front brake lever gently towards the throttle grip. The brake lamp glows on application of the front brake.



### STEERING LOCK

TVS XL 100 is provided with separate lock for locking the steering.

To lock the steering, turn the handle bar fully towards left, insert the control key into the lock and rotate it in clockwise direction and take out the key. For unlocking insert the key in the lock and turn it in anti-clockwise direction and take out the key.



#### Warning

*Never attempt to move the vehicle when the steering is locked, you may lose balance.*

### FUEL TANK\* CAP

To open fuel tank cap, insert the key into the lock and turn it in clockwise direction. Now, rotate the fuel tank cap in anti-clockwise direction and take out. Key cannot be taken out of the cap in this condition.

Fill the required amount of petrol (as per the tank capacity) and refit the fuel tank cap in the reverse order of removal.



*\* Fuel tank is not a measuring instrument and capacity of the fuel tank may slightly vary from the indicated capacity.*

 **Warning**

*Avoid spilling of fuel on the hot engine. Never refill fuel near open flame. Do not smoke while refueling. Do not use cell phones while refueling.*

 **Note**

*Whenever refueling the vehicle, fill upto the bottom of the neck portion of the fuel tank. Filling above the neck may result in improper breathing of fuel tank and seepage of fuel.*

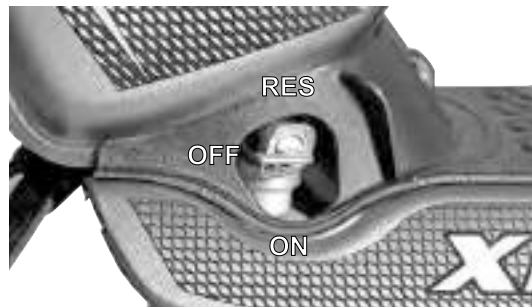
**FUEL COCK**

Fuel cock has the following three positions:

**ON:** Fuel flows in this position when the fuel is above the reserve level in the tank.

**RES:** Switch over the fuel cock lever to this position when the fuel stops flowing in 'ON' position.

**OFF:** Fuel flow cuts off from the tank to carburettor.



While riding the vehicle with fuel cock lever in 'ON' position and if the fuel in the tank reaches reserve level, you may experience engine sluggishness and jerky feeling. Take the vehicle to the left side of the road while taking care of traffic and change the fuel cock lever position to 'RES'.

 **Caution**

*Leaving the fuel cock in 'ON' or 'RESERVE' position may cause the fuel tank to completely drain out, incase any malfunctioning of carburettor float system.*



 Caution

*Do not position the fuel cock lever between 'ON' and 'OFF' position as this may drain off entire fuel while riding the vehicle.*

### KICKSTARTER LEVER

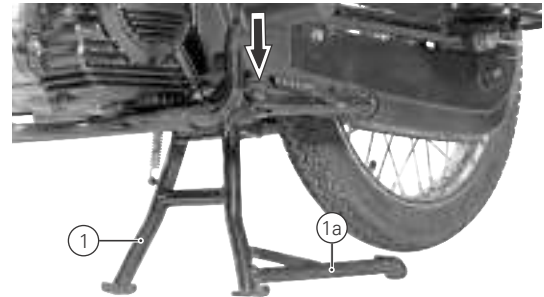
The kickstarter lever is located on the right side of the engine. The engine can be started by kicking the lever with the ignition key in 'ON' position while applying the rear brake as a safety precaution.



### STANDS

To place the vehicle on center stand (1), hold the handle bar left grip with the left hand and load carrier with the right hand. Place your foot firmly on the center stand extension (1a) and press with adequate effort. Ensure both the legs of stand are touching the ground before placing the vehicle on stand.

TVS XL 100 also has a provision for fixing a side stand (**side stand is optional**). Side stand can be operated with your foot by pushing it away from the vehicle till it stops.



 **Warning**

*Always return the side stand to its full up position before moving the vehicle.*

 **Caution**

*Never sit on the vehicle when it is supported by side stand. Always park the vehicle on a flat, firm surface.*

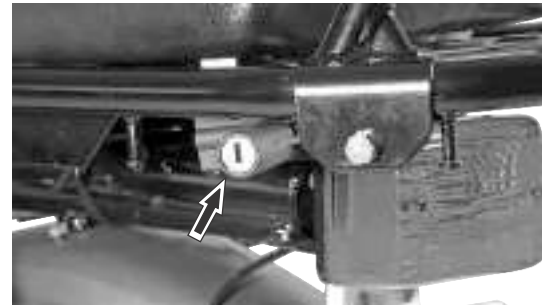
**TOOL BOX**



Tool box is located below the seat assembly at the front end. To access tool kit and first aid kit the tool box need to be opened. Follow the procedure given below to open the tool box.

1. Insert the control key in the lid tool box lock and rotate it in anti-clockwise direction. Gently take out the lid tool box.
2. While reassembling, locate the lid at the top of the tool box properly and then lock it by rotating the key in clockwise direction. Take out the key once the lid is locked.

**SEAT LOCK**



To access the carrier, the pillion seat assembly need to be removed.

To remove the pillion seat assembly, insert the control key into the seat lock which is located at the left side rear end of the vehicle and rotate the key in clockwise direction. Once the lock is released, gently take out the seat from its mounting.

To assemble back the seat, locate the seat in its position and push it towards the front and then press down.

### TOOL KIT AND FIRST AID KIT



To assist you in performing certain aspects of periodic maintenance and emergency repairs, a tool kit is supplied along with the vehicle and it is located inside the tool box.

To access the tool kit and first aid kit, open the tool box as explained in the previous page.

The tool kit consists of the following :

- |                             |     |
|-----------------------------|-----|
| 1. Grip driver              | x 1 |
| 2. Bit (+) (-)              | x 1 |
| 3. 17 x 19 open end spanner | x 1 |
| 4. Tool bag                 | x 1 |

### Note

*It is recommended to use the tool kit in case of any emergency only. It is always advisable to take your vehicle to TVS Motor Company Authorised Main Dealer / Authorised Dealer.*

Before riding your vehicle, make yourself thoroughly familiar with all the controls of the vehicle and their functions.

### Inspection before riding

- Check the following items before riding
  - Enough fuel for the planned distance of running.
  - Correct tyre pressure and adequate tread depth/no cracks or cuts.
  - Proper working of all lamps and horn.
  - Smooth movement of steering.
  - Smooth operation of throttle.
  - Correct free play of front and rear brake.
  - Free rotation of wheels.

### Starting the engine

- Turn the fuel cock lever to the 'ON' or 'RESERVE' position. Insert the control key into the ignition switch and turn it to the 'ON' position.
- For early morning starting or when you are starting the engine for the first time in the day, apply the choke and start the engine.

- Open the kickstarter lever for operation. Apply the rear brake as a safety precaution to avoid rear wheel rotation. Kick start the engine with your right foot. **During kicking do not open throttle.** Immediately after the engine starts let the engine to idle for few secs. to make it warm.
- Once the engine is warmed up, release the choke lever to its original position if it is applied.

### Riding

- After starting the engine, sit comfortably on the seat and open the throttle gradually. **Do not open throttle suddenly to full.**
- The clutch engages automatically.
- Keep your feet on the foot rest. From now on, your road speed is controlled only by throttle.
- Always keep to the left of the road. This will allow other fast moving vehicles to overtake you safely and easily.



### Caution

*Do not keep the engine in idling rpm for long and do not open excessive throttle when engine is idling, else it leads to overheating and damage to internal components.*

- To overtake other vehicles, look ahead of you and into the rear view mirror to ensure that there are no vehicles close by. Then open the throttle and overtake from the right.

### Stopping and parking

- Close the throttle completely. Apply both brakes simultaneously.
- Turn the ignition 'OFF' and fuel cock knob.
- Park the vehicle on a firm, flat surface.
- Lock the steering and take out the control key.

### FUEL RECOMMENDATION

Use unleaded petrol only.

The petrol should be 85 to 95 octane by research method. Use recommended fuel additives for longer life of engine components and lower maintenance. Petrol mixed with ethanol will have impact on engine components. Contact your TVS Motor Company Authorised Main Dealer / Authorised Dealer for usage.



### Caution

*Never mix oil in petrol in the fuel tank. Always fill fuel from the reputed and reliable fuel stations.*

### SOME USEFUL TIPS

#### Smooth riding

- Avoid engine idling for long period. It is better to switch it 'OFF' and start again.
- It is harmful to increase the engine speed with brakes applied as the engine gets unduly strained.
- Avoid riding continuously at speed below 20 kmph as this will result in faster wear of the clutch shoes.
- Make your self familiar with the traffic signs and regulations.
- **For safe riding, it is advised to use a good quality helmet while driving.**
- **Avoid use of mobile phones while riding as it could lead to fatal accident.**

#### Improve service life of your vehicle

- Adhere to the recommended maintenance schedule and follow running-in information.
- Apply brakes only when absolutely necessary.
- Always ride within the optimum speed range for better fuel economy.
- Avoid overloading.

### FUEL ECONOMY

The maximum fuel economy is obtained between 30 to 45 kmph (indicated by a green zone on the speedometer). There is a drop in fuel economy both at lower speeds and even more at higher speeds. Frequent braking, long periods of idling and overloading will result in much lower fuel economy.

#### Tips to improve fuel economy

- Minimise braking and idling.
- Avoid sudden acceleration, applying brakes and throttle simultaneously and overloading.
- Ride in optimum road speed i.e. 30 to 45 kmph.
- Perform maintenance as per the schedule.
- Use recommended oils and fuel only.
- Always maintain your vehicle in good state by getting it periodically serviced.
- Reduce petrol evaporation by parking your vehicle in shade
- Reduce speed on bumps and rough roads.
- Anticipate the barriers ahead and decelerate at the earliest.

### EMISSION CONTROL

All the TVS vehicles are tested in the factory for optimum fuel efficiency and lowest possible CO levels. **Kindly do not disturb the Carburettor settings as this may lead to higher fuel consumption and also higher CO levels.** If the vehicle needs any adjustments, please consult nearest TVS Motor Company Authorised Main Dealer or Authorised Dealer.

While adequate care is exercised at the factory to ensure that the emissions are within the limits, it is essential for the owner to always maintain their vehicles in good condition by getting it periodically serviced and checked by TVS Motor Company Authorised Main Dealer or Authorised Dealer so that the emission and fuel consumption level are maintained as per norms. **Get your vehicle certified by the Government Authorised emission testing stations at specified intervals.**

## MAINTENANCE SCHEDULE

The maintenance schedule indicates the intervals between periodic services. At the end of each interval, be sure to inspect, check, replace, adjust, lubricate and service as instructed. If the maintenance is not done periodically, it will result in rapid wear and severe damage to the vehicle. If the vehicle is used under high stress conditions such as continuous full throttle operation or if used / operated in dusty climate, certain jobs should be performed more often to ensure reliability of the vehicle. Cylinder head, steering components, suspension, chain and wheel components etc., are key items and require very special and careful servicing. TVS Motor Company Limited strongly recommends that the jobs as per the maintenance schedule be performed by your TVS Motor Company Authorised Main Dealer / Authorised Dealer.

Periodic inspections may reveal one or more parts that may need replacement. Whenever replacing parts on TVS XL 100, it is recommended that you use only the **TVS Motor Company Genuine** parts.



### Caution

*Proper running-in and maintenance are mandatory for making certain that your vehicle is reliable and gives optimum performance at all times. Be sure that the periodic maintenance is performed thoroughly in accordance with the instructions given in this owner's manual.*

*In more dusty areas, the air filter element may required early replacement than the mentioned kilometers to avoid costly damages to the engine.*

**PERIODIC MAINTENANCE SCHEDULE (months or km whichever occurs earlier)**

Item	Service km Period from date of sale	In free service			After free service		Remarks
		1st 500-750 1 month	2nd 2500-3000 3 months	3rd 5000-6000 6 months	Every 3000 km	Every 6000 km	
Engine cum transmission oil		R	I & T	R	I & T	R	
Oil filter (strainer)		C	-	C	-	C	
Centrifugal filter		-	-	C	-	C	
Spark plug		C & A	-	-	-	-	Replace every 12000 km
Air cleaner element		-	-	-	-	-	Every 9000 km
SAI filter element		-	-	-	-	-	Replace every 12000 km
Carburettor assembly		C & A	-	-	-	-	C & A every 12000 km after first service
Tappet clearance		I & A	-	I & A	-	I & A	
Fuel cock sediment bowl		C	C	C	C	-	
Hose fuel		I	I	I	I	-	Replace every three years
Plate clutch assy (clutch shoe)		-	-	-	-	-	Inspect and if required replace every 12000 km
Drum clutch (clutch housing)		-	-	-	-	-	Inspect and if required replace every 12000 km
All control cables <sup>1</sup>		I, A & L	I, A & L	I, A & L	I, A & L	-	
Throttle grip		-	-	L	-	L	Lubricate using grease
Choke operation		I	I	I	I	-	
Steering smooth operation / play		I & A	I & A	I & A	I & A	-	C & L with fresh grease every 12000 km
Front fork oil		-	-	-	-	-	Replace every 12000 km
Front and rear suspension		I	I	I	I	-	Inspect for proper functioning
Speedometer hub drive / cable		-	-	L	-	L	Lubricate using grease



## MAINTENANCE



Item	Service km Period from date of sale	In free service			After free service		Remarks
		1st 500-750 1 month	2nd 2500-3000 3 months	3rd 5000-6000 6 months	Every 3000 km	Every 6000 km	
All fasteners		I & TI	I & TI	I & TI	I & TI	-	
Drive chain*		C, L & A	C, L & A	C, L & A	C, L & A	-	Adjust when necessary
All bulbs, horn and switches		I	I	I	I	-	Inspect for proper functioning
Head lamp beam		I & A	I & A	I & A	I & A	-	
Brake effectiveness / play		I & A	I & A	I & A	I & A	-	
Brake cams		-	-	L	-	L	Lubricate using grease
Wheel freeness		I	I	I	I	-	
Wheel spokes		I & TI	-	I & TI	-	I & TI	
Tyre pressure in cold condition		I & S	I & S	I & S	I & S	-	
Engine Idling speed		I & S	I & S	I & S	I & S	-	
Idling CO% <sup>2</sup>		I & S	-	-	-	-	Refer page no. 14 for emission control note
Center / side stand pivot		L	L	L	L	-	Lubricate using TRU4 oil
Kick starter pedal pivot		L	L	L	L	-	Lubricate using TRU4 oil
Control levers		L	L	L	L	-	Lubricate using grease
Swing arm bearings		-	-	-	-	-	C & L using grease every two years

R - Replace; I - Inspect; T - Top up; C - Clean; A - Adjust; L - Lubricate; TI - Tighten; S - Set

<sup>1</sup> Inspect for proper operation and adjust play. Lubricate ends using grease.

<sup>2</sup> Idling CO% should be set with the help of exhaust gas analyser and tachometer only.

\*Clean the drive chain and apply TRU SPRAY / TRU4 oil as frequently as every 750 kms for better chain life and smooth vehicle running.

**RECOMMENDED LUBRICANTS**

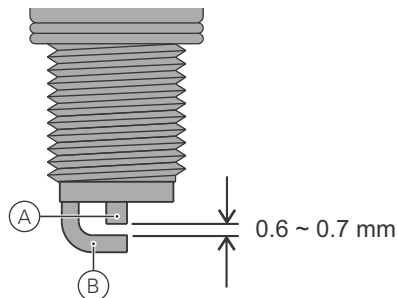
<b>Application</b>	<b>Qty</b>	<b>Manufacturer</b>	<b>Brand</b>
Engine cum transmission oil	900 ml (during regular service) 1000 ml (incase of disassembly)	TVS Motor Company	TVS TRU4 PREMIUM oil, (SAE 10W30 API-SL, JASO MA2)
Front fork oil	100 ml / leg	IOC / Castrol	20W40 oil
Grease	-	Bharath petroleum	MP Grease no. 3
		IOC	Servo Gem no. 3
		Bechem	Bechem premium grade 3
Chain lubricant	-	TVS Motor Company	TRU SPRAY
Fuel additives	As recommended		IFTEX

## SELF-MAINTENANCE PROCEDURES

### SPARK PLUG

1. Pull out the suppressor cap from the spark plug.
2. Clean the dust and mud around the spark plug mounting to avoid falling inside the cylinder.
3. Remove the spark plug.

A spark plug with heavy carbon deposits will not produce strong sparks. Hence, only if necessary, remove the carbon deposits from the spark plug with a small wire brush or using spark plug cleaning tool.



Inspect the spark plug electrodes (A) and (B) for any corrosion. If found any, replace the spark plug with a new.

Inspect the spark plug gap with a wire gauge / feeler gauge. Readjust the spark plug gap to **0.6 ~ 0.7 mm** if required.

After cleaning and adjusting the gap, reinstall the spark plug and tighten by hand to avoid cross threading. Finally tighten using spark plug spanner. Do not over tight or cross thread the spark plug.

### Caution

*Always use only recommended make and type of spark plug. **Replace spark plug every 12000 km.***

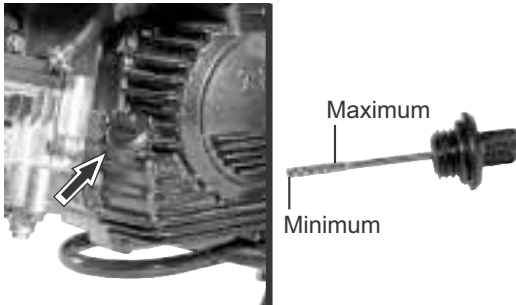
*Cover the spark plug hole with cloth when the plug is removed to prevent dust/water entry.*

*It is advisable to tight the new spark plug by hand till the end and then loose and again re-tight the spark plug by 1/8 of rotation after sealing by using only the hand tool .*

## ENGINE CUM TRANSMISSION OIL LEVEL

Check the engine cum transmission oil level periodically.

1. Place the vehicle on center stand on a flat surface. Wipe-off the surroundings of the gauge oil level.
2. Remove the gauge oil level and wipe it clean.
3. Fix the gauge oil level back to its mounting hole. Do not thread in.
4. Take out the gauge oil level and check the level of the oil.



5. The oil level should be between minimum and maximum level marks of the gauge as shown in the figure.
6. If the oil level is less than the minimum level, add 'TVS TRU4 PREMIUM oil' (SAE 10W30 API-SL, JASO MA2) upto the maximum level mark.
7. Wipe out the oil traces with a clean cloth to prevent dust accumulation and assemble back the gauge oil level.

### Caution

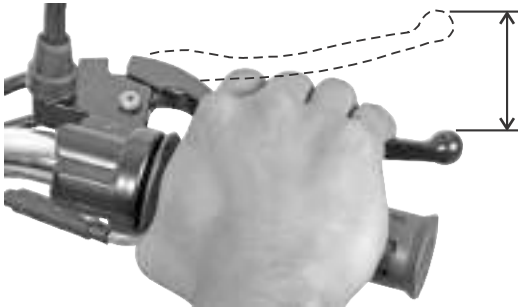
*If the vehicle is driven with less engine cum transmission oil, engine components will be severely damaged. Check the oil level as per the schedule to avoid costly damage.*

*Do not fill excess oil may cause oil leak. Always use 'TVS TRU4 PREMIUM oil' (SAE 10W30 API-SL, JASO MA2) only.*

## BRAKES

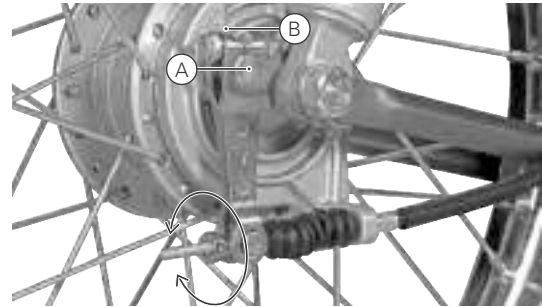
### Front brake

1. Measure the free play of the front brake lever at the lever end as shown in the figure.
2. The free play of the brake lever before the engagement of the brake should be between 15 ~ 20 mm.



### Warning

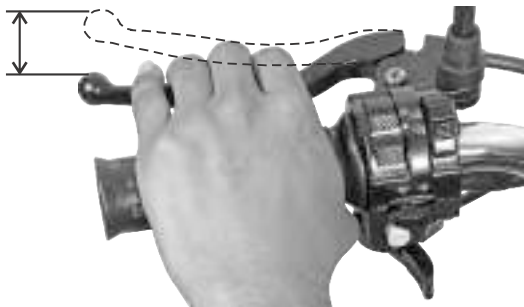
*Brakes are items of personal safety and should always be maintained in proper condition.*



3. If the measured free play is more or less than the specified limit, adjust the nut provided at the front wheel end to obtain the correct play.
4. Turn the adjuster nut in clockwise direction for reducing the free play or turn it in anticlockwise direction for increasing the free play.

### Rear brake

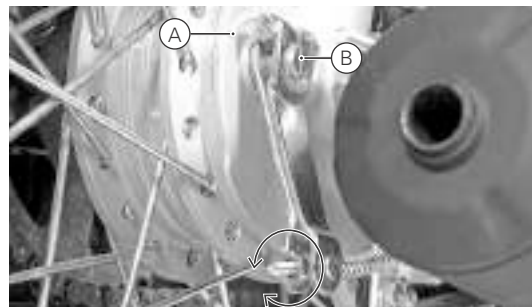
1. Measure the free play of the rear brake lever at the lever end as shown in the figure.
2. The free play of the brake lever before the engagement of the brake should be between 10 ~ 15 mm.



3. If the measured free play is more or less than the specified limit, adjust the nut provided at the rear wheel end to obtain the correct play.
4. Turn the adjuster nut in clockwise direction for reducing the free play or turn it in anticlockwise direction for increasing the free play.

### Warning

*Check the brake play periodically. However the brake play needs to be adjusted more frequently depending upon the usage.*



### Brake shoe wear limit indicator

When the brake is applied, wear limit index mark (A) on front and rear brake cams should be within the range of wear limit indicator (B) on the front and rear brake panel. In case the index mark is going beyond the wear limit, index the lever to next slot with the help of Dealer to extended shoe life.

### Warning

*Replace the brake shoes as a set, if the wear limit indicator shows beyond the wear limit even after indexing the lever.*

## TYRES

### Tyre pressure

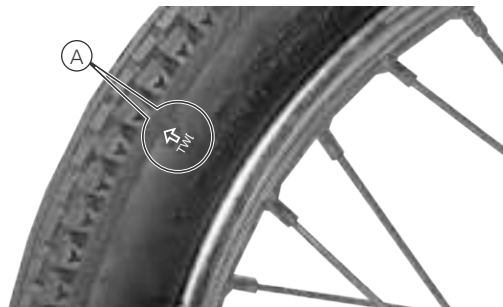
Check the tyre pressure atleast once in a week if not more frequently. Insufficient air pressure in the tyres not only hasten tyre wear, but also seriously affects the stability of the vehicle.

Under inflated tyres make smooth cornering difficult and over inflated tyres decrease the tyre contact with the ground which can lead to skidding and loss of control. Be sure that the tyre pressure is within the specified limits at all times.

	Solo	Dual
Front	1.75 kg/cm <sup>2</sup> (25 PSI)	1.75 kg/cm <sup>2</sup> (25 PSI)
Rear	2.46 kg/cm <sup>2</sup> (35 PSI)	2.81 kg/cm <sup>2</sup> (40 PSI)

### Tyre tread condition

Operating the vehicle with excessively worn tyres will decrease riding stability and can lead to loss of control. It is recommended to replace the tyre when the tyre wears off to the tyre wear indicator (A) level (indicated by TWI on the tyre).



### Warning

*The tyre inflation pressure in cold condition and the tyre tread condition are extremely important for the performance and safety of the rider. Check the tyres frequently for inflation pressure as well as the wear pattern on it.*

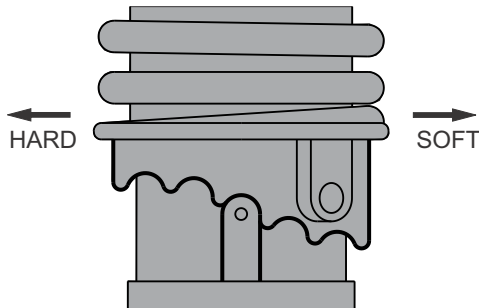
*Use of a tyre other than the standard may cause instability.*

## REAR SHOCK ABSORBERS

TVS XL 100 is provided with 5 step adjustable rear shock absorbers to meet different load condition. There are 5 notches for adjusting spring load. If the spring is adjusted to the minimum notch, then the shock absorber will be softer which is good for light loads.

If the spring is adjusted to maximum notch, then it will be stiffer which is good for heavy loads.

Adjust the spring preload by shifting the adjuster to the required notch according to the different load condition.



The more you compress the shock absorber spring, the suspension becomes more stiff.

### Caution

*Keep both left and right shock absorbers spring adjusters in the same position.*



### DRIVE CHAIN

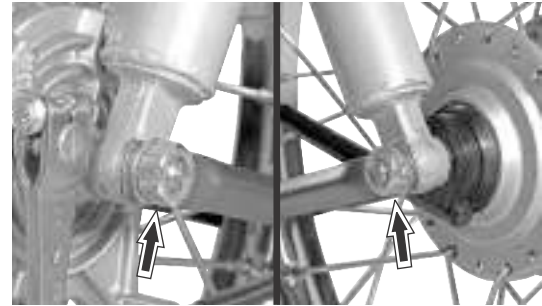
Proper lubrication and adjustment of drive chain gives long service life of chain. Poor maintenance of chain causes premature wear or damage to the drive chain and sprockets.

The drive chain must be checked, lubricated and adjusted at specified intervals mentioned in the maintenance schedule.

If the vehicle is used under severe conditions and more dusty area, the drive chain must be attended more frequently. Get the drive chain checked, lubricated and adjusted at TVS Motor Company Authorised Main Dealer / Authorised Dealer at specified intervals if required more frequently depending upon usage.

### FRONT WHEEL REMOVAL

1. Remove hexagonal nut along with the washer from the front wheel axle either from LH or RH.
2. Pull out the axle from the wheel assembly along with the hexagonal nut and a washer.
3. Place a support (wooden block) below the engine to prevent the vehicle from falling.



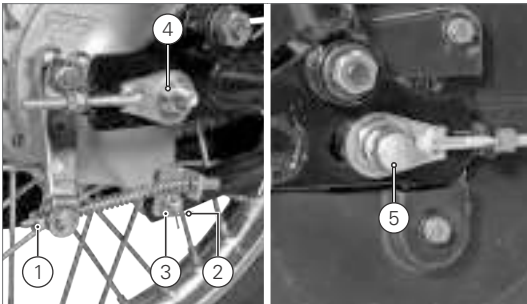
4. Lift the front fork assembly up, dislocate the brake panel along with the brake cable. Remove the hub drive and slide the wheel out.
5. Reverse the procedure for reassembling. Locate the lug on fork leg L to the slot in the brake panel assembly while reassembling.

#### Warning

*Always make sure that whenever the wheel is removed, axle nut is properly re-tightened to the specified torque.*

## REAR WHEEL REMOVAL

1. Remove the rear brake adjuster nut (1) and disconnect the brake cable from the brake panel assembly.
2. Remove the split pin (2) and the nut (3). Disconnect the torque link.
3. Remove the axle nut (4).
4. Pull out the axle (5) and take out the spacer from the rear wheel assembly.
5. Tilt the vehicle to the left and take out the wheel assembly along with the brake panel assembly.
6. Reverse the procedure for reassembly.



## Caution

*Once the split pins are removed, replace them with new ones.*

## STORAGE PROCEDURES

For storage of your vehicle for longer periods of over a month and above, we recommend to carry out the following steps:

1. Clean the vehicle thoroughly. Park the vehicle on center stand.
2. Warm up the engine and drain engine cum transmission oil. Store the oil, if new, in a dust free container.
3. Empty the fuel tank. Turn the fuel cock lever to 'OFF' position.
4. Run the engine with fuel cock OFF position till the carburettor fuel bowl becomes empty.
5. Remove the spark plug and feed in several drops of engine cum transmission oil through spark plug hole. Crank the engine few times and reinstall the spark plug.
6. Place a suitable support at the bottom of the frame so that both the tyres are off the ground. This will ensure better tyre life.

7. Cover up the vehicle completely with a clean tarpaulin or any other suitable cover. Store the vehicle inside a garage or similar area to avoid damage due to dust and rain. Make sure that the storage area is well ventilated and free from any source of flame or spark.

### Warning

*The exhaust system becomes hot after a run. Park the vehicle in a place where pedestrians or children are not likely to touch the vehicle.*

### Caution

*Do not park the vehicle on a slope or soft ground or else it may fall down.*

## TAKING THE VEHICLE OUT OF STORAGE FOR REGULAR USE

1. Take the vehicle out of the garage and clean it thoroughly.
2. Fill the engine cum transmission oil [TVS TRU4 PREMIUM oil (SAE 10W30 API-SL, JASO MA2)] and check the level using gauge oil level.
3. Lubricate the parts as instructed in the periodic maintenance schedule.
4. Fill up fresh petrol in the fuel tank.
5. Check and inflate the tyres to the specified tyre pressure.
6. Check and correct the points mentioned in page no. 12 before riding.
7. Turn the ignition switch to 'ON' position. Start the engine with choke 'ON' for a few minutes and ride out.

### Caution

*Avoid using alkaline solution like detergent soaps for washing the vehicle. This may damage head lamp and other lamp assemblies.*

**TVS Motor Company Limited ('the Company') gives this warranty with respect to the TVS XL 100 vehicle manufactured by the Company.**

The Company has taken every care to maintain quality in the manufacture of the TVS XL 100 vehicle, subject to other terms of warranty:

During 12 months from the date of purchase or during the first 12,000 km of run for the vehicle in the hands of original retail purchaser, whichever is earlier, all parts of the vehicle which prove to the satisfaction of the Company to have a manufacturing defect will be repaired or replaced free of cost.

The Company's obligation under this warranty is limited to repairing or replacing, free of cost, those parts of the vehicle which upon examination by the Company may prove to the Company's satisfaction to have a manufacturing defect, and in such cases the Company's decision either to repair or replace the affected parts will be final. In the event of replacement of parts, the Company also reserves the right to use parts of the same brand as the affected parts or any other brand which is used by the Company in the course of manufacture. All parts replaced under this warranty will become the property of the Company and must be returned to the Company.

Limitations of Warranty:

1. This warranty shall not apply to:

- Normal maintenance operations such as engine tune-up, decarbonising, fuel system cleaning, oil changes, head light focusing, fastener retightening, adjustments of carburettor, ignition timing, clutch and brakes as well as other normal adjustments.
- Insignificant factors which do not affect the function of the vehicle, including without limitation, sound, vibration and fluid seep.
- Replacement of normal service items or wear and tear items, including without limitation, bulbs, electrical wiring, filters, spark plugs, chain, sprockets, clutch and brake linings, fasteners, shims, washers, oil seals, gaskets, rubber, plastic and rexine components (including hoses / pipes etc..) and spokes etc.,.

- Proprietary parts such as tyres and tubes etc.,.
- Any natural wear and tear, including without limitation, aging.
- Parts suffering damage or resultant damage by accident, misuse, negligent treatment, use of bad quality lubricants or impure fuel or by omission to follow the guidance and instructions contained in this owner's manual.
- Parts which are used in conjunction with parts not made or recommended by the Company.
- Parts of the vehicle which have been tampered with, altered, repaired or replaced by persons not authorised by the Company and which in the sole judgement of the Company affect the performance of the vehicle.
- Parts of the vehicle getting affected due to atmospheric effect/environmental factors.
- Vehicles, on which engine number or chassis number is deleted, defaced or altered.

- **Vehicles on which any warranty (periodic) service is not availed when it falls due.**

- Vehicles sold or transferred by original retail purchaser.
  - Vehicles used for racing or any competition or used otherwise than for ordinary personal transportation. Vehicles attached with side cars etc..
  - Vehicles which have been taken out of India.
2. Warranty claims on proprietary items such as tyres and tubes etc., should be preferred by the user directly on the respective manufacturer, as per their warranty terms and the Company shall not be liable in any manner in respect to the same.



### Warning

*Modifications to this vehicle not approved by the TVS Motor Company may cause loss of performance and render it unsafe for use and disqualifies for warranty coverage also.*

## WARRANTY AND SERVICES



3. Parts repaired or replaced under this warranty are warranted only throughout the remainder of the original warranty period.
4. The Company is not liable for any delay in servicing due to reasons beyond the control of the Company or any of its Authorised Main Dealers / Authorised Dealers.
5. In any event, the Company is not liable for indirect, remote, incidental or consequential damages.
6. The Company may make any modification or improvement to vehicles in future production at any time without prior notice and without any obligation to install the same on vehicles previously despatched for sale.
7. Any claim under this warranty will lie only when the customer:
  - (i) takes his vehicle to an Authorised Main Dealer / Authorised Dealer of the Company and reports the problem he / she felt in the vehicle to enable the Authorised Main Dealer / Authorised Dealer to inspect the same and assess the cause for the reported problems.
  - (ii) produces to such Authorised Main Dealer / Authorised Dealer the owner's manual for the concerned vehicle for verification of relevant details.
8. This is the only warranty given by the Company for the TVS XL 100 vehicle. No employee, Dealer or other person is authorised to extend or enlarge this warranty.

Customer's Name and address

.....  
.....  
.....

Frame number.....

.....

Engine number.....

.....

Key number.....

Service coupon no.....

Colour.....

Date of sale.....

Km.....

Registration number.....

.....

Selling dealer's code, name, address and  
phone number:

.....  
.....

### SERVICE INFORMATION

There are five services for TVS XL 100 vehicle during warranty period. Of these, first three services are free services for which labour charges are free. In addition to these three free services, we have a scheme of two pay services. Coupons for the free services are attached with this owner's manual. For keeping maintenance track of your vehicle, a pay service record sheet is also attached. Please have the record sheet filled by the Dealer who is carrying out the maintenance service.

Before you avail your first free service, please enter the particulars of your vehicle on the left side of this page. This will be useful for any reference.

For availing any of the eleven warranty services, please take your vehicle and your owner's manual to any of our Authorised Main Dealer or any of our Authorised Dealer. After effecting the service the Authorised Main Dealer or the Authorised Dealer will take out the detachable portion of the relevant service coupon from your owner's manual for their records and will obtain your acknowledgment on the same for having the service done to your satisfaction. For your record, the Authorised Main Dealer or the Authorised Dealer will affix their stamp on the stub of the relevant service coupon or the last column of the record sheet whenever they carry out any service.

Periodic maintenance always helps good performance of an automobile and our services are planned to keep your TVS XL 100 vehicle performing good. **Please note that carrying out the services for your vehicle at scheduled intervals is necessary for availing of warranty.** And please also remember that, after the services are over, periodic servicing of your vehicle at appropriate intervals, depending upon its extent of use, will keep your vehicle at its best level of performance.

In case you need any clarification or assistance, please feel free to write to us mentioning the frame number, engine number and the date of purchase of your vehicle also the name and place of the Authorised Main Dealer / Authorised Dealer from whom you bought the vehicle and getting it serviced.

### Service Department

**TVS MOTOR COMPANY LIMITED**

**P.O. Box No. 4, Harita, Hosur - 635 109,**

**TAMILNADU, INDIA.**

**Toll free no:- 18004252077**



**PART (B) DELIVERY CERTIFICATE**

(To be given by the customer to TVS Motor Company authorised dealer at the time of taking possession of new vehicle)

<p>Certified that I have taken possession of the TVS XL 100 vehicle bearing engine no. and frame no. as mentioned along side from M/s .....                  .....                  today in good condition.</p> <p>I have understood operations, controls and general maintenance instructions including rear wheel removal and engine oil specifications. The terms of warranty have been explained to me and I agree to abide by the same.</p> <p>I have also received the following items along with my TVS XL 100 vehicle without extra charge.</p> <ul style="list-style-type: none"> <li><input type="checkbox"/> Tool kit and first aid kit</li> <li><input type="checkbox"/> Owners manual</li> <li><input type="checkbox"/> Set of two keys</li> </ul> <p>The location of the tool kit in the vehicle has been shown to me.</p>	<p><b>TO BE FILLED IN BY THE DEALER</b></p> <p>Engine No. : <input style="width: 100%;" type="text"/></p> <p>Frame No. : <input style="width: 100%;" type="text"/></p> <p>Dealer code : <input style="width: 80%;" type="text"/></p> <p>Dealer stamp : _____</p> <p>Date of delivery : <input style="width: 100%;" type="text"/></p> <p>Colour : <input style="width: 100%;" type="text"/></p> <p>Mode of purchase by customer</p> <ul style="list-style-type: none"> <li><input type="checkbox"/> Show room - cash sales</li> <li><input type="checkbox"/> Show room - hire purchase sales</li> <li><input type="checkbox"/> Institutional sales</li> </ul> <p>Dealer to get the Customer information coupon filled by the customer and hand it over to Market Research, TVS Motor Company Limited, Hosur.</p>	
<p>Dealer's signature :</p>	<p>Customer signature :</p>	<p>Date :</p>

**WARRANTY AND SERVICES**

### भाग (ब) डिलिवरी प्रमाण पत्र

(उपभोक्ता के द्वारा TVS XL 100 अधिग्रहण करने के समय टी.वी.एस डीलर को प्रेषित किया जाये)

<p>प्रमाणित कि मैंने TVS XL 100 का अधिग्रहण उचित अवस्था में मेसर्स ..... .....</p> <p>से आज कर लिया है, जिसका फ्रेम नम्बर और इंजन नम्बर साथ में संलग्न है।</p> <p>मैंने इसके सारे ऑपरेशन, कंट्रो-ल और सामान्य-रख-रखाव के अंतर्गत पिछला पहिया निकालना, इंजन आयल जाँचना इत्यादि का ज्ञान प्राप्त कर लिया है। वॉरंटी के सभी नियम मुझे अवगत हैं, और मैं उनका पालन करने के लिये सहमत हूँ।</p> <p>TVS XL 100 के साथ बिना किसी अतिरिक्त कीमत के निम्नलिखित वस्तुएँ प्राप्त हुईं.</p> <ul style="list-style-type: none"> <li><input type="checkbox"/> टूल किट और प्रथम चिकित्सा किट</li> <li><input type="checkbox"/> ओनर्स मैनुयल</li> <li><input type="checkbox"/> एक जोड़ी चाबी</li> </ul> <p>टूल किट का स्थान भी अवगत किया गया है।</p>	<p>डीलर के द्वारा भरा जाये</p> <p>फ्रेम नं० : <input type="text"/></p> <p>इंजन नं० : <input type="text"/></p> <p>कोड : <input type="text"/></p> <p>डीलर सील : _____</p> <p>डिलिवरी की तिथि : <input type="text"/></p> <p>रंग : <input type="text"/></p> <p>वाहन खरीदने का मुख्य प्रारूप.</p> <ul style="list-style-type: none"> <li><input type="checkbox"/> शोरूम - नगद</li> <li><input type="checkbox"/> शोरूम - ऋण सुविधा से।</li> <li><input type="checkbox"/> इन्स्टिट - युशनल सेल्स</li> </ul> <p>डीलर इस कूपन को उपभोक्ता से भरवा कर टी.वी.एस. सर्विस इंजिनियर को दें।</p>
<p>डीलर हस्ताक्षर :</p>	<p>उपभोक्ता हस्ताक्षर :</p> <p>तिथि :</p>

# Extended Assurance. Guaranteed Smiles.



- ★ Peace of mind for 3 years\*
- ★ Trouble free ownership experience
- ★ Valid at all India TVSM Authorized network
- ★ TVSM Genuine Parts Guaranteed
- ★ Higher Resale Value of Vehicle.
- ★ Optional feature, can be availed at nominal charges.

**Contact your nearest Dealership for details\*\***

\* One year manufacturer warranty and 2 years additional warranty  
\*\* Terms and conditions apply



**Drive In.**

**Drive Out.**



**Say bye-bye to waiting time  
for servicing your bike.**

**Get your vehicle serviced in 1 hour at no additional cost. Contact your nearest Dealership for details.\***

\*Facility available at selected Dealerships only. Terms and conditions apply



## **Busy Life? Easy Servicing!**

**Now, service your bike anywhere, anytime.**

- ★ Service the vehicle at your door step.
- ★ Available for regular maintenance or breakdown service only.
- ★ Offered at nominal convenience charges.

**Contact your nearest Dealership for details.\***

\*Facility available at selected Dealership only. Terms and conditions apply



# Busy Life? Easy Servicing!

**Now, Avail Pickup & Drop of your vehicle for service.**

- ★ Vehicle picked up & delivered from/to your office or residence at prefixed appointed time.
- ★ Offered at nominal convenience charges.

**Contact your nearest Dealership for details.\***

\*Facility available at selected Dealership only. Terms and conditions apply

## TECHNICAL SPECIFICATION



MANUFACTURER : TVS MOTOR COMPANY LIMITED  
P.B. No. 4, Harita, Hosur - 635 109, India.

### ENGINE

Type : Single cylinder, 4 stroke, air cooled spark ignition engine  
Cylinder bore : 51 mm  
Stroke : 48.8 mm  
Piston displacement : 99.7 cc  
Compression ratio : 9.7 : 1  
Carburettor : SPACO AU13  
Air filter : Paper filter element  
Lubrication system : Forced lubrication  
Maximum power in kW : 3.2 kW (4.3 bhp) @ 6000 rpm  
Maximum torque in Nm : 6.5 Nm @ 3500 rpm  
Maximum speed : Around 62 km/hr  
Engine idling rpm : 1500 ± 50 rpm (under warm condition)  
Starting system : Kick starter

### TRANSMISSION

Clutch : Centrifugal shoe type wet clutch  
Primary transmission : Single speed gear box  
Secondary transmission : Chain and sprockets  
Final reduction : 12.66 : 1

### CHASSIS

Overall length : 1858 mm  
Overall width : 670 mm  
Overall height : 1060 mm  
Ground clearance : 144 mm  
Wheel base : 1215 mm  
Kerb weight (with toolkit and 90% of fuel) : 79 kg  
Pay load : 130 kg  
Maximum laden weight : 209 kg  
Frame : Welded tubular step through construction  
Front suspension : Telescopic spring type  
Rear suspension : Swing arm fitted with hydraulic shock absorbers with variable rated spring.

### TYRE

Tyre size  
Front : 2.50 x 16 - 6 Ply rating  
Rear : 2.50 x 16 - 6 Ply rating

## TECHNICAL SPECIFICATION



### Tyre pressure

- Front : 1.75 kg/cm<sup>2</sup>(25 PSI)
- Rear - solo : 2.46 kg/cm<sup>2</sup>(35 PSI)
- Rear - dual : 2.81 kg/cm<sup>2</sup> (40 PSI)

### BRAKES

- Front : Hand operated, internally expanding shoe type 80 mm dia. drum
- Rear : Hand operated, internally expanding shoe type 110 mm dia. drum

### ELECTRICAL

- Type : AC generator
- Ignition system : Electronic Ignition (pulsar type) IDI cum IG Coil
- Spark plug : BOSCH UR4KC
- Spark plug gap : 0.6 ~ 0.7 mm
- Fly wheel magneto : 12V, 90W
- Body earthing : Negative terminal
- Head lamp : 12V, 35/35W x 1
- Tail /brake lamp : 12V, 5/21W x 1
- Turn signal lamp : 12V, 10W x 4
- Speedometer lamp : 12V, 3.4W x 1
- High beam indicator lamp : 12V, 2W x 1
- Turn signal indicator lamp : 12V, 2W x 1
- Horn : 12V, DC x 1

### CAPACITIES

- Fuel : Unleaded petrol
- Fuel tank capacity\*\* : 4.0 liters (including reserve)
- Reserve : 1.3 liters (approx.)
- Engine cum transmission : TVS TRU4 PREMIUM oil oil grade (SAE 10W30 API-SL, JASO MA2)
- Engine cum transmission : 900 ml (during regular oil capacity service) and 1000 ml (incase of disassembly)
- Front fork oil grade : 20W40 oil
- Front fork oil capacity : 100 ml per leg



### Note

*Specifications are subjected to change without notice.*

\*\* The fuel tank is not a measuring instrument and the capacity of fuel tank may slightly vary from the indicated capacity.



## GENERAL INFORMATION



Dear Customer,

It is mandatory under the Motor Vehicles Act to insure all motor vehicles. No motor vehicle can be used in a public place without a valid policy of insurance issued by an authorised insurer. Driving a motor vehicle without any such insurance is an offence under Motor Vehicles Act.

To assist our customers on their insurance requirements such as the prompt issue and renewal of policies as well as expeditious settlement of claims if any, our preferred insurers are :

