



# PARTS BOOK

***XTREET***  
*NAKED 200CC*

**EPA**



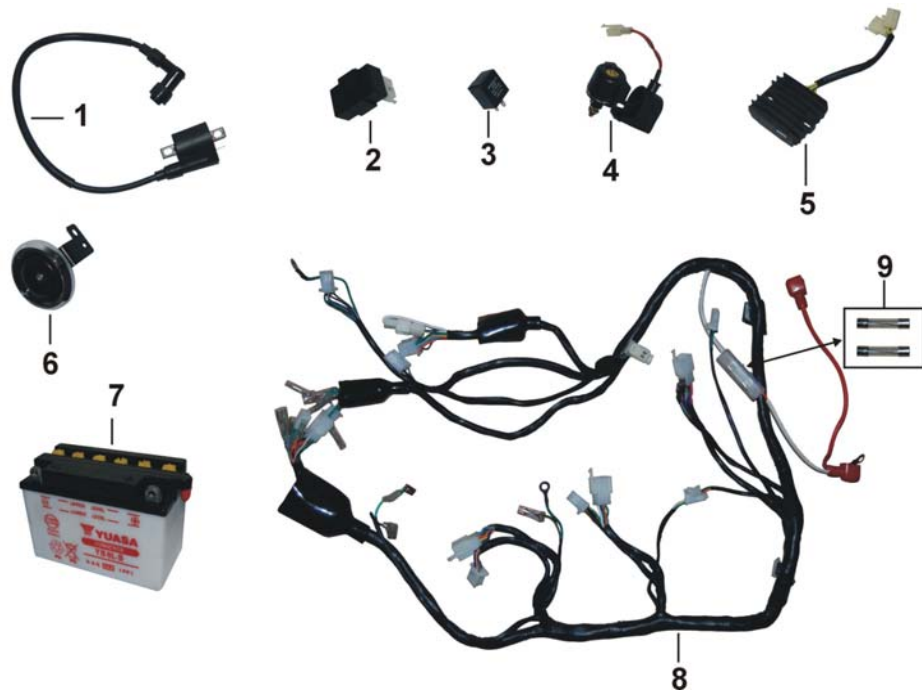
[www.umglobal.com](http://www.umglobal.com)



**B01 = 空滤器 / AIR CLEANER ASSY / FILTRO DE AIRE**

ITEM	UM Part #	Description	Spanish
1	B01020008	AIR CLEANER ASSY	CAJA FILTRO AIRE COMPLETA
2	B01010008	AIR FILTER	ELEMENTO FILTRO DE AIRE
3	B01050007	OIL AIR APART	OIL AIR APART
4	B01030010	TOOL SET	KIT DE HERRAMIENTAS





**B02 = 电零件 / ELECTRIC SYSTEM / SISTEMA ELECTRICO**

ITEM	UM Part #	Description	Spanish
1	B02060009	COIL COMP.,IGNITION	BOBINA DE ALTA
2	B02040009	C.D.I. UNIT	CDI
3	B02020016	FLASH UNIT	RELEE DIRECCIONAL
4	B02020015	SWITCH ASSY,STARTER MAGNETIC	RELEE DE ARRANQUE
5	B02030007	RECTIFIER COMP.,REGULATOR	REGULADOR
6	B02090017	BUGLE ASSY	PITO
7	B02010009	BATTERY	BATERIA
8	B02050013	HARNESS,WIRE	INSTALACION ELECTRICA
9	B02070003	FUZE 15A	FUSIBLE 15A

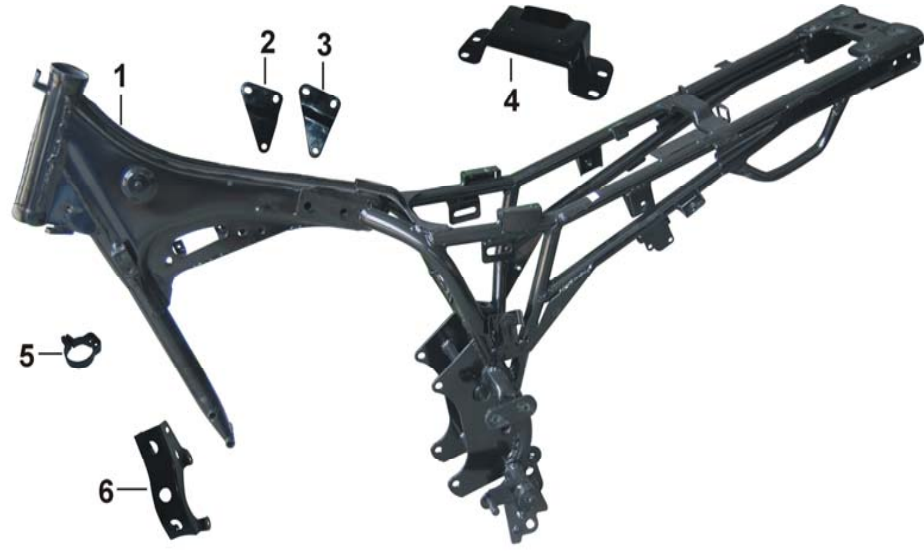


**B03 = 挡泥板 / FENDERS / GUARDABARRO**

ITEM	UM Part #	Description	Spanish
1	B03010041	FENDER COMP.,FR. (RED/BLACK)	GUARDABARRO DELANTERO ROJO/NEGRO
1	B03010040	FENDER COMP.,FR. (BLACK)	GUARDABARRO DELANTERO NEGRO
1	B03010042	FENDER COMP.,FR. (SILVER/BLACK)	GUARDABARRO DELANTERO PLATA/NEGRO
1	B03010043	FENDER COMP.,FR. (BLUE	GUARDABARRO DELANTERO AZUL/NEGRO
1	B03010039	FENDER COMP.,FR. (MOLD BASE)	GUARDABARRO DELANTERO EN BASE
2	B03060031	BRACKET,FR.FENDER .R	SOPORTE DER. GUARDABARRO DEL.
3	B03060030	BRACKET,FR.FENDER .L	SOPORTE IZQ. GUARDABARRO DEL.
4	B03060034	CABLE GUIDING	GUIA DE CABLE
5	B03060035	RUBBER,DEFEND SPATTER	CAUCHO PROTECTOR FRONTAL GUARDABARRO
6	B03060028	BOX BATTERIES	CAJA BATERIA
7	B03040009	FENDER B,RR.	EXT. GUARDABARRO TRASERO
8	B03060032	BRACKET,RR.FENDER	SOPORTE GUARDABARRO TRASERO
9	B03040010	FENDER A,RR.	GUARDABARRO TRASERO
10	B03060033	BRACKET,LICENSE PLATE,RR.	SOPORTE PORTA PLACA
11	B03060029	BRACKET,REAR REFLECTOR	SOPORTE REFLECTOR TRASERO
12	B03040008	BACK BREAKWATER	EXT. GUARDABARRO TRASERO
13	B03060027	BACK FENDERBOARD BRACKET	PLATINA SUJ. EXT. GUARDABARRO TRASERO

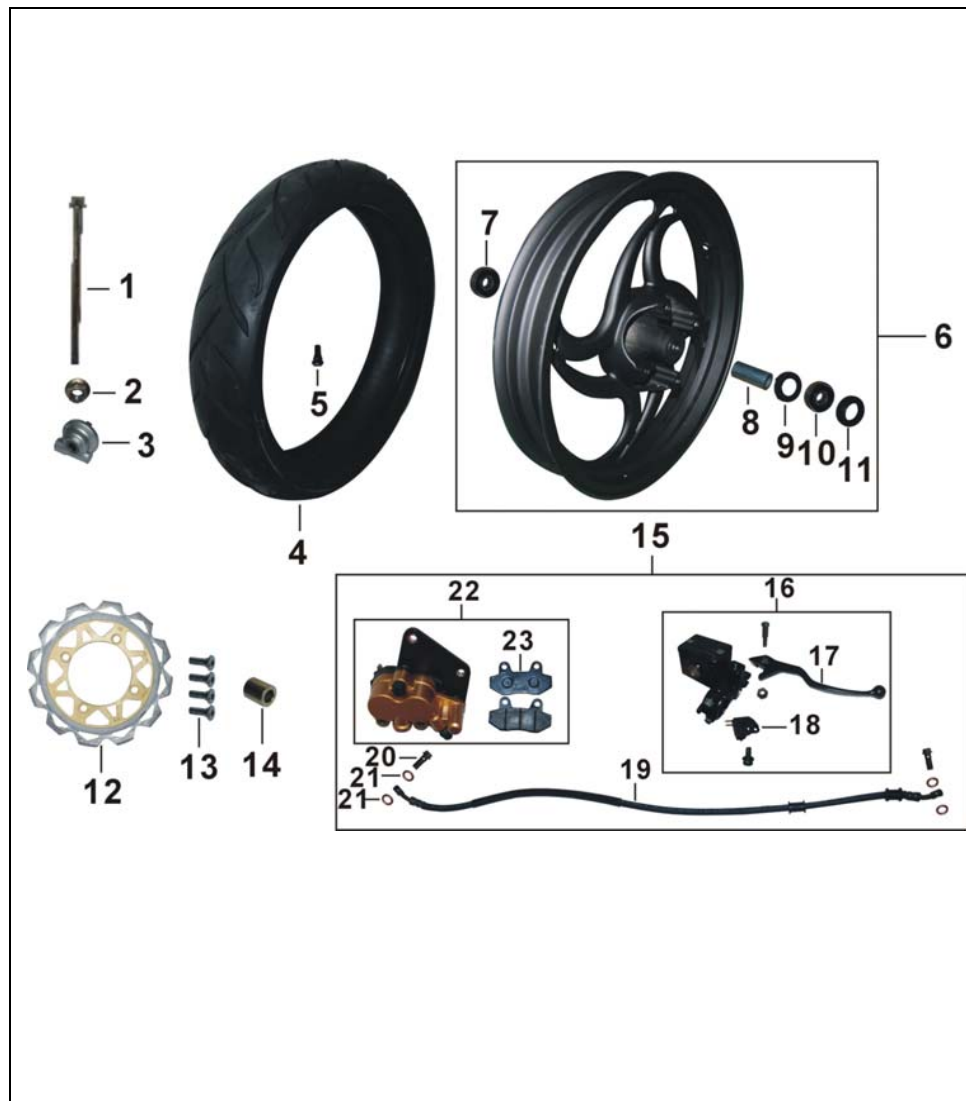


B04 = 脚踏、启动杆 & 变档杆 / FOOTREST & PEDALS / POSAPIE Y PEDALES			
ITEM	UM Part #	Description	Spanish
1	B04030024	COVER,PILLION STEP R.	SOPORTE DER. REPOSAPIE TRAS
2	B04030023	COVER,PILLION STEP L.	SOPORTE IZQ. REPOSAPIE TRAS.
3	B04030025	BAR COMP.,STEP R	REPOSAPIE TRASERO
4	B04030026	BAR COMP.,STEP L	REPOSAPIE DELANTERO
5	B04090063	ADORN,RR.FORK PIVOT	DECORATIVO SOPORTE TRASERO REPOSAPIE
6	B04090062	RUBBER WASHER	CAUCHO ANTIVIBRANTE
7	B04080009	KICK STARTER ASSY	PEDAL DE ARRANQUE
8	B04080010	LIMIT KICK STARTER ASSY	BARRA GUIA PEDAL DE ARRANQUE
9	B04070008	PEDAL COMP.,GEAR CHANGE	PEDAL DE CAMBIOS
10	B04050017	MAIN STAND	SOPORTE PRINCIPAL
11	B04090058	SPRING, MAIN STAND (DOUBLE SPRING)	RESORTE, SOPORTE PRINCIPAL
12	B04050018	AXLE,CENTER STAND	EJE, SOPORTE CENTRAL
13	B04090064	RUBBER CUSHION, MAIN STAND	CAUCHO ANTIVIBRACIÓN, SOPORTE PRINCIPAL
14	B04050019	BAR COMP.,SIDE STAND	PARAL LATERAL
15	B04090059	SPRING A,SIDE STAND (DOUBLE SPRING)	RESORTE PARAL LATERAL
16	B04090008	HEXAGON NUTS WITH FLANGE M10	TUERCA HEXAGONAL M10
17	B04090060	BOLT,HEX STEP M10x45	TORNILLO HEXAGONAL M10 X 35
18	B04060017	LEVER,RR.BRAKE	PEDAL FRENO TRASERO
19	B04090061	LOOP,CALORY,GEAR CHANGE 18	ARANDELA PINADORA PEDAL TRASERO
20	B04060018	ROCKER.LEVER,RR.BRAKE	LEVA SUJ. PEDAL FRENO TRASERO
21	B04090057	SPRING.BACKWARD,BRAKE PEDAL	RESORTE PEDAL FRENO



**B05 = 车架, 安装板和支架 / FRAME, PLATE & BASE / CHASIS Y BASES**

ITEM	UM Part #	Description	Spanish
1	B05010009	BODY COMP.,FRAME	CHASIS
2	B05020037	PLATE,ENGINE RIGHT UP HANGER.,R	PLATINA SUJ. MOTOR SUPERIOR DER
3	B05020038	PLATE,ENGINE RIGHT UP HANGER.,L	PLATINA SUJ. MOTOR SUPERIOR IZQ.
4	B05020035	GASOLINE TANK BRACKET	TANQUE DE GASOLINA SOPORTE
5	B05020039	CLUTCH LEAD,PASTERN	CLUTCH LEAD,PASTERN
6	B05020036	PLATE,ENGINE FR.HANGER	PLATINA MOTOR INF. FRONTAL



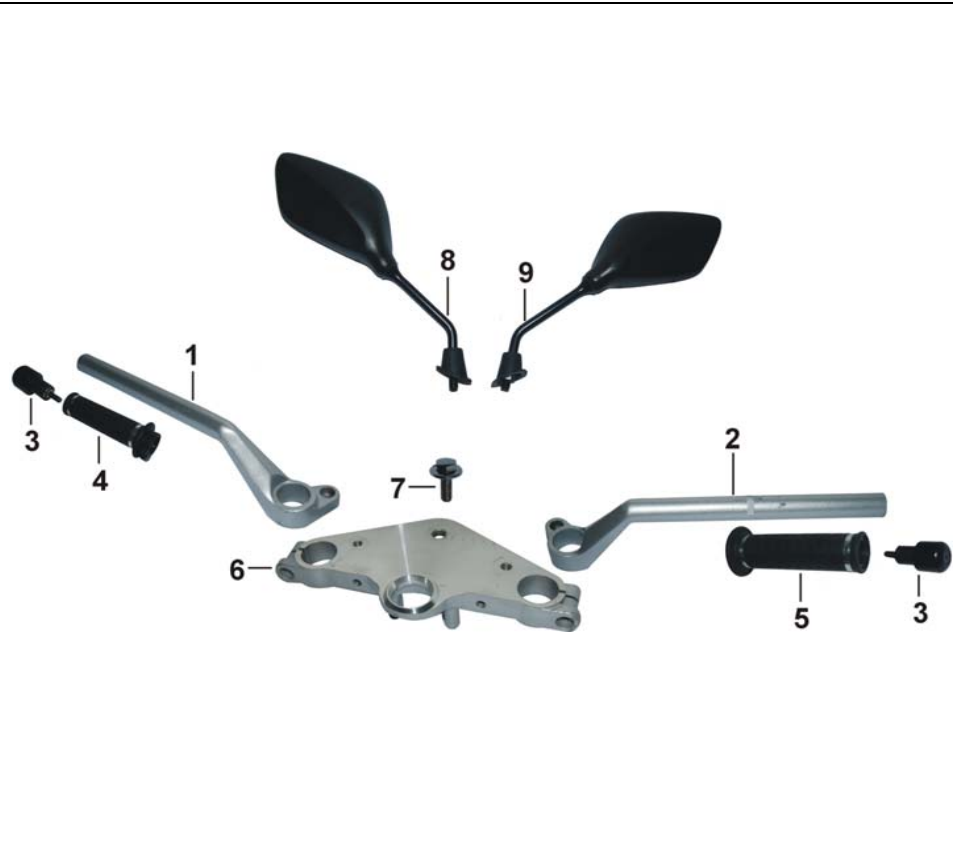
B06 = 前轮 & 前刹车 / FRONT WHEEL & BRAKE ASSY / RUEDA DELANTERA Y FRENO DELANTERO			
ITEM	UM Part #	Description	Spanish
1	B06050015	AXLE,FR.WHEEL	EJE RUEDA DELANTERA
2	B06100048	NUT, M12	TUERCA SELLADA M12
3	B06090008	APPLIANCE,DIGITAL	ODOMETRO
4	B06010010	TIRE,FR.WHEEL	LLANTA DELANTERA
5	B15020012	VALVE RIM	VALVULA DEL RIN
6	B06030021	WHEEL SUB ASSY,FR.	RIN DELANTERO
7	B06100046	BEARING 6302	RODAMIENTO 6302
8	B06100041	INNER BUSHING	BUJE INTERNO
9	B06100049	FRONT WHEEL RIGHT OIL SEAL	SELLO DE ACEITE DE RUEDA DELANTERA DER.
10	B06100047	BEARING 6301	RODAMIENTO 6301
11	B06100045	FRONT WHEEL LEFT OIL SEAL	SELLO DE ACEITE DE RUEDA DELANTERA IZQ
12	B06080031	PANEL COMP.,FR.BRAKE	DISCO FRENO DELANTERO
13	B06100044	BOLT M8X25	TORNILLO DISCO DE FRENO JGO. M8x25
14	B06100040	COLLAR,FR.R WHEEL SIDE	ESPACIADOR RUEDA DELANTERA
15	B06080034	DISH BRAKE ASSY,FR	CONJ. FRENO DISCO DELANTERO
16	B06080030	UP DISK BRAKE CYLINDER ASSY	CONJUNTO CILINDRO, FRENO DISCO SUP.
17	B08030018	FRONT BRAKE LEVER	MANIGUETA FRENO DELANTERO
18	B06080033	SWITCH FRONT BRAKE	INTERRUPTOR FRENO DELANTERO
19	B06080032	HOSE FRONT BRAKE	MANGUERA FRENO DELANTERO
20	B06100042	BOLT M10 X 22	TORNILLO M10 X 22
21	B06100043	WAHER M10	ARANDELA M10
22	B06060010	FRONT DISK BRAKE DOWN CYLINDER ASSY	CONJUNTO CILINDRO INF, FRENO DELANTERO
23	B06070009	SET PADS ASSY FRONT BRAKE	JGO. PASTILLAS FRENO DELANTERO



**B07 = 油箱 / FUEL TANK / TANQUE DE COMBUSTIBLE**

ITEM	UM Part #	Description	Spanish
1	B07010033	FUEL TANK ASSY RED	TANQUE DE COMBUSTIBLE ROJO
1	B07010034	FUEL TANK ASSY BLACK	TANQUE DE COMBUSTIBLE NEGRO
1	B07010035	FUEL TANK ASSY BLUE	TANQUE DE COMBUSTIBLE AZUL
1	B07010036	TANK COMP.,FUEL SILVER	TANQUE DE COMBUSTIBLE PLATA
1	B07010032	FUEL TANK ASSY BASE COLOR	TANQUE DE COMBUSTIBLE EN BASE
2	B07070024	EX-BUFFER IN FUEL TANK GUM	CAUCHO ANTIVIBRANTE TANQUE
3	B07070025	WASHER RUBBER .UPPER.L	CAUCHO ANTIVIBRANTE TANQUE
4	B07030006	COCK ASSY,FUEL	LLAVE PASO COMBUSTIBLE
5	B07060011	TUBE ASSY,VACUUM 200mm	VACUUM 200mm
6	B07070023	RUBBER,FUEL TANK .RR	CAUCHO TRAS. TANQUE
7	B07060010	REAR,FUEL TANK REAR GASKET	EMPAQUE TRASERO DE GOMA TANQUE DE COMBUSTIBLE
8	B07050007	UNIT SET,FUEL	FLOTADOR TANQUE DE COMBUSTIBLE





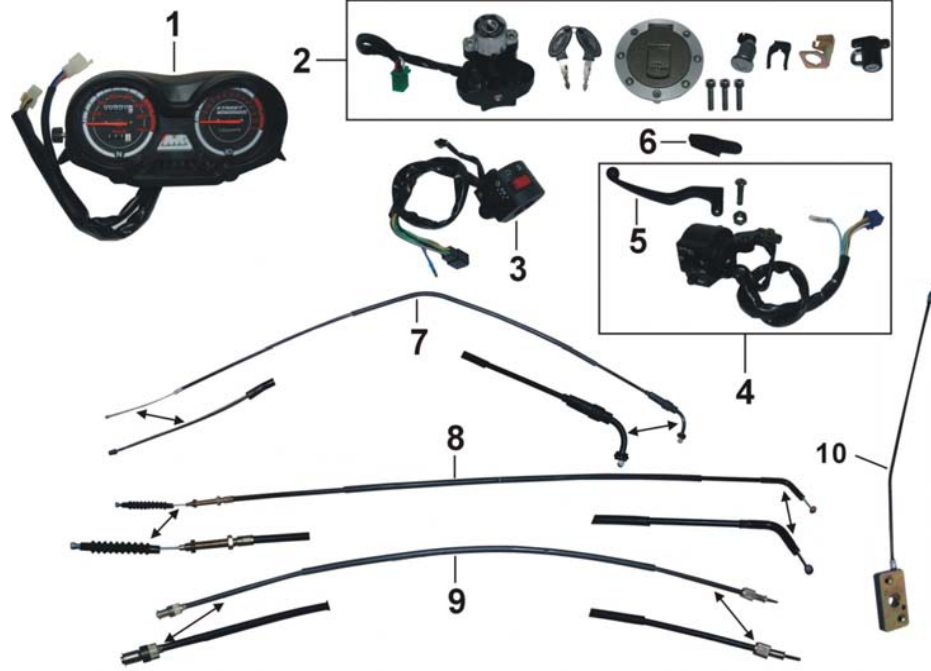
**B08 = 方向把 / HANDLE BAR / MANUBRIO**

ITEM	UM Part #	Description	Spanish
1	B08050012	PIPE,STEERING HANDLE .	MANUBRIO DERECHO
2	B08050013	PIPE,STEERING HANDLE .	MANUBRIO IZQUIERDO
3	B08020019	MASS COMP.,BALANCE	BALANCE PARA MANUBRIO
4	B08020020	GRIP,R.HANDLE	MANILAR DERECHO
5	B08020021	GRIP,L.HANDLE	MANILAR IZQUIERDO
6	B08040013	BRIDGE,FORK TOP	BASE SUPERIOR DE DIRECCION
7	B08060012	BOLT M10x28	TORNILLO
8	B08010010	MIRROR. R.	ESPEJO RETROVISOR DERECHO
9	B08010011	MIRROR. L.	ESPEJO RETROVISOR IZQUIERDO



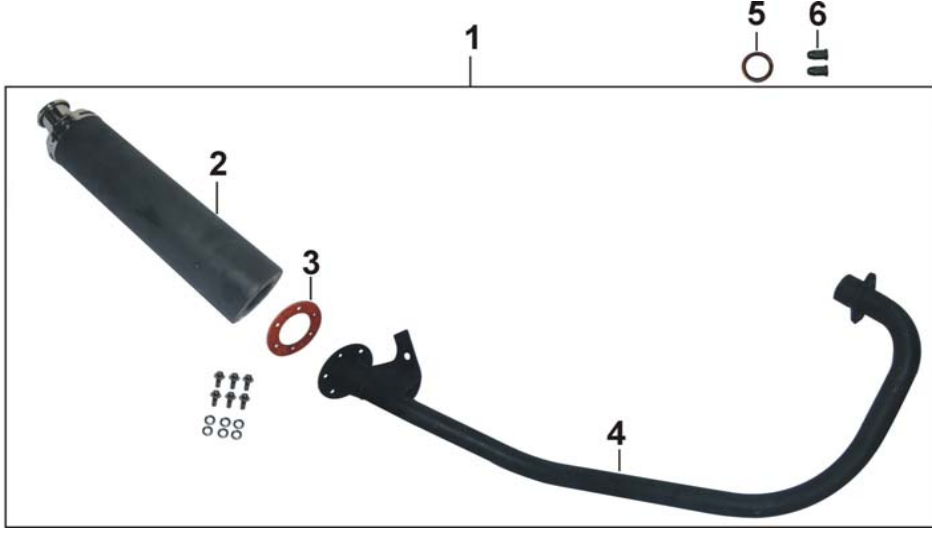
**B09 = 灯具 / LIGHTS / LUCES DIRECCIONALES Y REFLEJANTES**

ITEM	UM Part #	Description	Spanish
1	B09010011	HEAD LIGHT ASSY	FAROLA COMPLETA NAKED
2	B09040030	BULB 12V35/35W	BOMBILLO FAROLA 12V 35W
3	B09040027	BULB 12V3W	BOMBILLO BAJAS 12V3W
4	B09020011	TAIL LIGHT ASSY	STOP COMPLETO
5	B09030023	WINKER ASSY,R.RR	DIRECCIONAL TRAS. DER.
6	B09030024	WINKER ASSY,L.RR	DIRECCIONAL TRAS. IZQ.
7	B09030021	WINKER ASSY,R.FR	DIRECCIONAL DEL. DER
8	B09030022	WINKER ASSY,L.FR	DIRECCIONAL DEL. IZQ.
9	B09040029	BULB 12V10W	BOMBILLO DIRECCIONAL 12V10W
10	B09020012	LICENSE LIGHT SET RR	LUZ DE PLACA
11	B09040028	BULB 12V5W	BOMBILLO 12V5W
12	B09050012	REFLECTOR,RR.REFLEX	REFLECTOR TRASERO
13	B09050011	REFLECTOR	REFLECTOR LATERAL

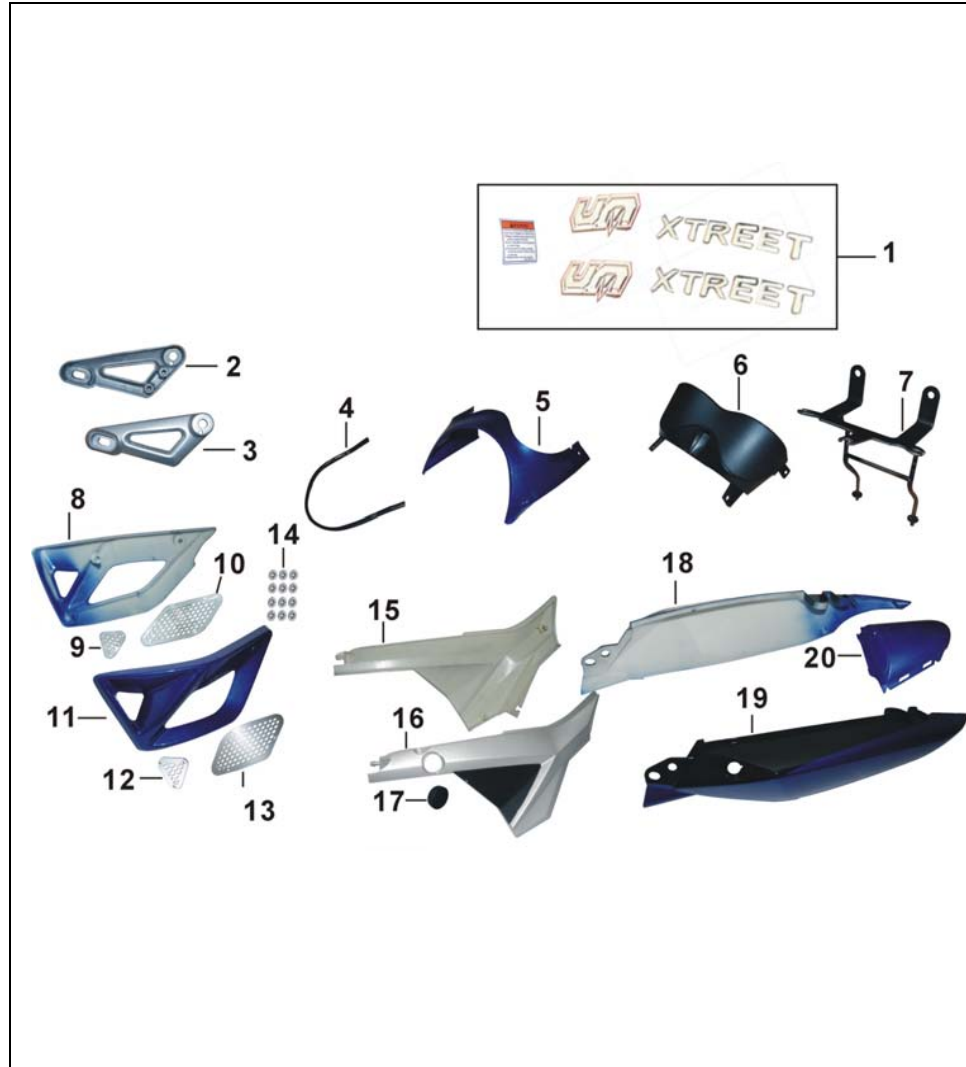


**B10 = 仪表、钢索、锁具和开关 / METER, CABLES, LOCKS & SWITCH / VELOCIMETRO, GUAYAS Y CERRADURAS**

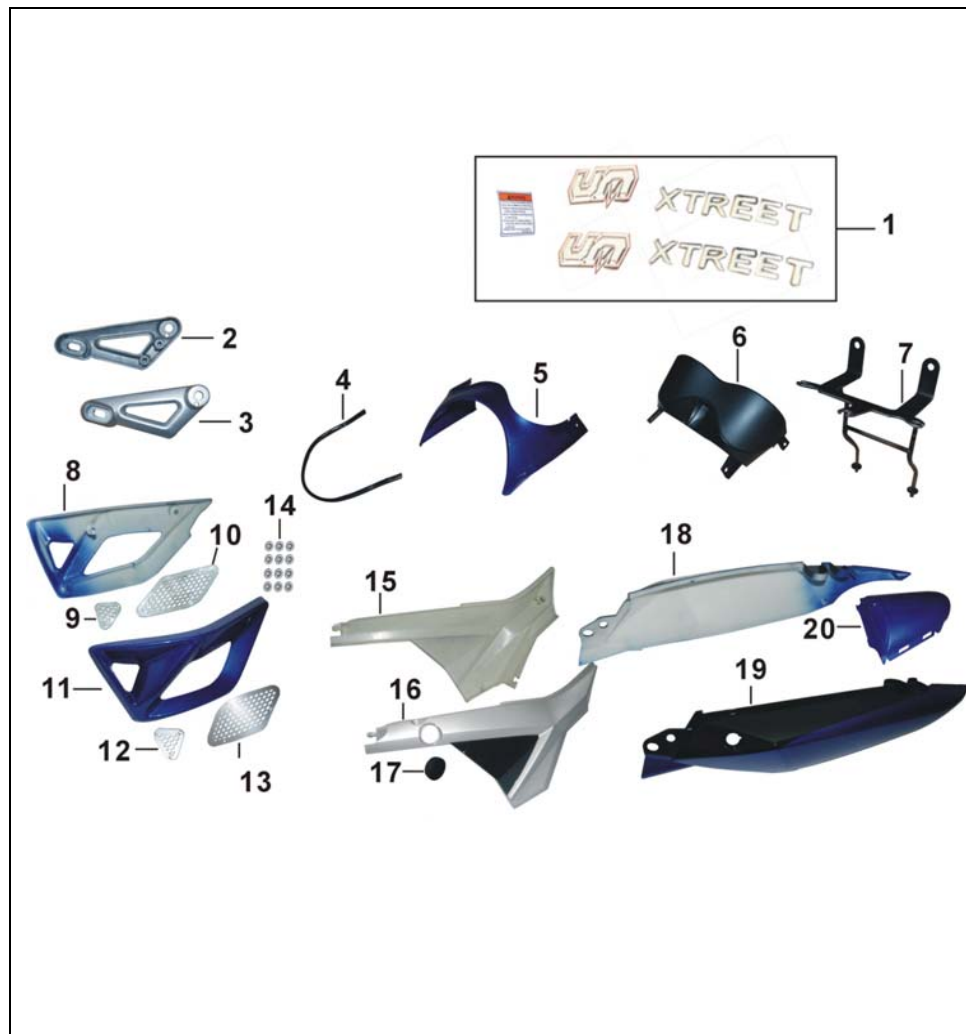
ITEM	UM Part #	Description	Spanish
1	B10010012	METER ASSY,COMBINATION	METER ASSY,COMBINATION
2	B10020015	KEY SET	JGO. INTERRUPTOR ENCENDIDO, TAPA Y SEGUROS
3	B10050017	SWITCH COMP.,R.	COMANDO DERECHO
4	B10050018	SWITCH COMP.,L.	COMANDO IZQUIERDO
5	B08030019	CLUTCH LEVER	MANIGUETA DE EMBRAGUE
6	B10060018	COVER,HANDLE LEVER L.	CUBIERTA DE MANIGUETA IZQUIERDA
7	B10030031	CABLE COMP.,THROTTLE 800mm a+b=103mm	GUAYA ACELERADOR 800mm a+b=103mm
8	B10030032	CABLE COMP.,CLUTCH 870mm a+b=130mm	GUAYA EMBRAGUE 870mm a+b=130mm
9	B10030033	CABLE ASSY,SPEEDOMETER 860mm	GUAYA VELOCIMETRO, 860mm
10	B10030034	LOCK	SEGURO



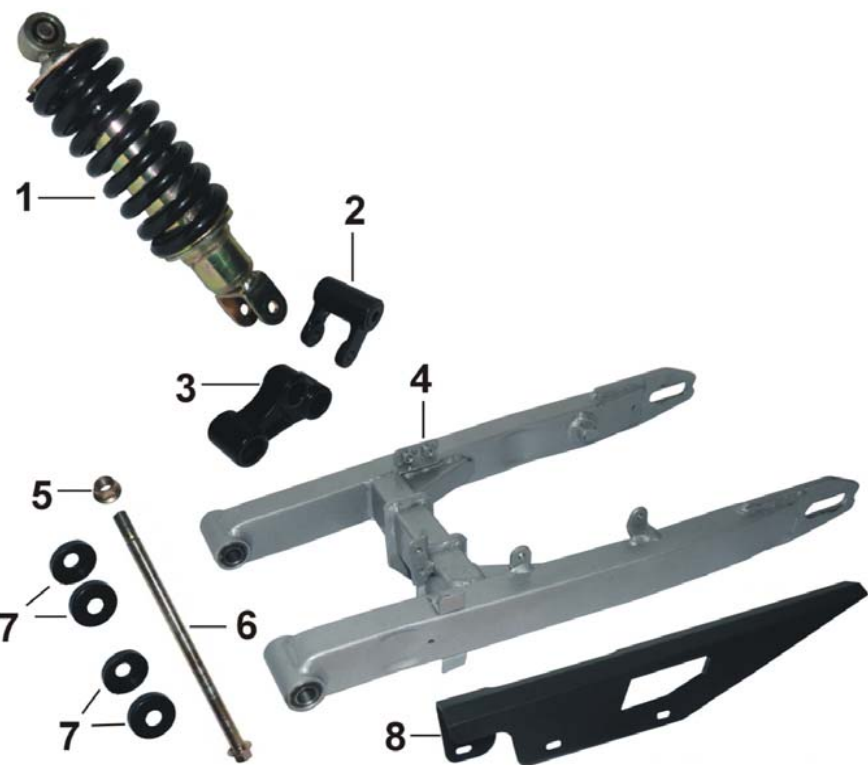
B11 = 消声器 / MUFFLER ASSY / ESCAPE			
ITEM	UM Part #	Description	Spanish
1	B11010021	MUFFLER COMP.,EX	EXHOSTO COMPLETO
2	B11010024	REAR BODY,MUFFLER	SILENCIADOR
3	B11010022	AIRPROOF GASKET A	EMPAQUE DE MUFFLE
4	B11010023	EXHAUST PIPE	CURVA MOFLE
5	B11010020	AIRPROOF GASKET	EMPAQUE DE ESCAPE
6	B11040022	NUT,ROUND M6	TUERCA M6*35



B12 = 塑料件和贴花 / PLASTIC COVERS & STICKERS / PLASTICOS Y STICKERS			
ITEM	UM Part #	Description	Spanish
1	B12040065	UM STICKER, FUEL TANK	"UM" LOGO TANQUE DE COMBUSTIBLE
2	B12020042	HEAD LIGHT BRACKET, R.	SOPORTE DER. FAROLA NAKED
3	B12020043	HEAD LIGHT BRACKET, L.	SOPORTE IZQ. FAROLA NAKED
4	B12020062	METER COVER,FRONT RUBBER 317mm	CAUCHO DELANTERO 317mm DE CUBIERTAS
5	B12020045	METER COVER,FRONT (RED)	PROTECTOR FRONTAL DEL VELOCIMETRO ROJO - NAKED
5	B12020046	METER COVER,FRONT (BLACK)	PROTECTOR FRONTAL DEL VELOCIMETRO NEGRO- NAKED
5	B12020047	METER COVER,FRONT (BLUE)	PROTECTOR FRONTAL DEL VELOCIMETRO AZUL - NAKED
5	B12020044	METER COVER,FRONT (BASE COLOR)	PROTECTOR FRONTAL DEL VELOCIMETRO BASE - NAKED
6	B12010215	METER COVER,BELOW	PANEL INF. VELOCIMETRO NAKED
7	B12050033	METER BRACKET	SOPORTE VELOCIMETRO
8	B12020049	FRONT SIDE COVER, R (RED)	TAPA FRONTAL DER. NAKED ROJA
8	B12020050	FRONT SIDE COVER, R (BLACK)	TAPA LATERAL DER. NAKED NEGRA
8	B12020051	FRONT SIDE COVER, R (BLUE)	TAPA LATERAL DER. NAKED AZUL
8	B12020052	FRONT SIDE COVER, R (SILVER)	TAPA LATERAL DER. NAKED PLATA
8	B12020048	FRONT SIDE COVER, R (BASE COLOR)	TAPA LATERAL DER. NAKED BASE
9	B12020053	VENTILATED GRIDDING, R(A)	REJILLA DER. A VENTALACION-NAKED
10	B12020054	VENTILATED GRIDDING, R(B)	REJILLA DER B VENTALACION -NAKED
11	B12020056	FRONT SIDE COVER, L (RED)	TAPA LATERAL IZQ. NAKED ROJA
11	B12020057	FRONT SIDE COVER, L (BLACK)	TAPA LATERAL IZQ. NAKED NEGRA
11	B12020058	FRONT SIDE COVER, L (BLUE)	TAPA LATERAL IZQ. NAKED AZUL
11	B12020059	FRONT SIDE COVER, L (SILVER)	TAPA LATERAL IZQ. NAKED PLATA
11	B12020055	FRONT SIDE COVER, L (BASE COLOR)	TAPA LATERAL IZQ. NAKED BASE



B12 = 塑料件和贴花 / PLASTIC COVERS & STICKERS / PLASTICOS Y STICKERS			
ITEM	UM Part #	Description	Spanish
12	B12020060	VENTILATED GRIDDING, L(A)	REJILLA IZQ. A VENTILACION NAKED
13	B12020061	VENTILATED GRIDDING, L(B)	REJILLA IZQ. B VENTILACION NAKED
15	B12010221	COVER SUB ASSY,R.SIDE (SILVER/BLACK)	PROTECTOR LATERAL DER.PLATA/NEGRO
16	B12010227	COVER SUB ASSY,L.SIDE (SILVER/BLACK)	PROTECTOR LATERAL IZQ. PLATA/NEGRO
17	B12010233	COVER, FUEL TANK SWITCH	CUBIERTA, INTERRUPTOR DEL DEPÓSITO DE GASOLINA
18	B12010218	SIDE COVER RIGHT (RED/BLACK)	TAPA LATERAL DER. ROJO/NEGRO
18	B12010217	SIDE COVER RIGHT (BLACK)	TAPA LATERAL DER. NEGRO
18	B12010220	SIDE COVER RIGHT (BLUE/BLACK)	TAPA LTERAL DER. AZUL/NEGRO
18	B12010219	SIDE COVER RIGHT (SILVER/BLACK)	TAPA LTERAL DER. PLATA/NEGRO
18	B12010216	SIDE COVER RIGHT (BASE COLOR)	TAPA LTERAL DER. BASE
19	B12010224	SIDE COVER LEFT (RED/BLACK)	TAPA LATERAL IZQ. ROJO/NEGRO
19	B12010223	SIDE COVER LEFT (BLACK)	TAPA LATERAL IZQ. NEGRO
19	B12010226	SIDE COVER LEFT (BLUE/BLACK)	TAPA LATERAL IZQ. AZUL/NEGRO
19	B12010225	SIDE COVER LEFT (SILVER/BLACK)	TAPA LATERAL IZQ. PLATA/NEGRO
19	B12010222	SIDE COVER LEFT (BASE COLOR)	TAPA LATERAL IZQ. BASE
20	B12010229	CENTER COVER RR (RED)	TAPA TRASERA ROJA
20	B12010230	CENTER COVER RR (BLACK)	TAPA TRASERA NEGRA
20	B12010231	CENTER COVER RR (BLUE)	TAPA TRASERA AZUL
20	B12010232	CENTER COVER RR (SILVER)	TAPA TRASERA PLATA
20	B12010228	CENTER COVER RR (BASE COLOR)	TAPA TRASERA BASE



**B14 = 后摇架 / REAR FORK / HORQUILLA TRASERA**

ITEM	UM Part #	Description	Spanish
1	B14020012	CUSHION ASSY, RR.	AMORTIGUADOR MONOSHOCK TRASERO
2	B14020013	ROCKER BACK	SOPORTE BALANCE MONOSHOCK
3	B14020014	ROCKER SMALL	SOPORTE BALANCE MONOSHOCK PEQUEÑO
4	B14010012	SWING ARM ASSY,RR.	TIJERA TRASERA
5	B14030037	PREVAILING TORQUE TYPE ALL-METAL HEXAGON NUTS WITH FLANGE M12	TUERCA M12
6	B14010013	BOLT, RR.FORK PIVOT	EJE DE LA TIJERA
7	B14030038	FENCE, RR.FORK PIVOT	ARANDELAS PIVOTE TIJERA
8	B15090033	CASE,UPPER HALF DRIVE CHAIN	GUARDACADENA



**B15 = 后轮 & 后刹车 / REAR WHEEL & BRAKE ASSY / RUEDA TRASERA Y FRENO TRASERO**

ITEM	UM Part #	Description	Spanish
1	B15090034	CHAIN DRIVE	CADENA
2	B15090035	CHAIN CONNECTOR	CONECTOR DE CADENA
3	B15050006	NUT M14	TUERCA M14
4	B15050028	AXLE,RR.WHEEL	EJE RUEDA TRASERA
5	B15050030	COLLAR,RR.RWHEEL SIDE	ESPACIADOR SOPORTE DISCO TRASERO
8	B15130025	NUT,HEX M10*1.25	TUERCA HEX. M10
9	B15100009	SPROCKET,FINAL DRIVE	SPROCKET TRASERO
10	B15130024	BOLT,SPERICKET,FINAL DRIVE	TORNILLOS SUJ. SPROCKET
11	B15010009	TIRE,RR.WHEEL	LLANTA TRASERA
12	B15020012	VALVE RIM	VALVULA RIN TRASERO
13	B15030036	WHEEL SUB ASSY,RR.	RIN TRASERO
14	B15050032	REAR WHEEL RIGHT OIL SEAL 25x42x7	SELLO DE ACEITE DE LA DERECHA DE RUEDA POSTERIOR 25x42x7
15	B06100046	BEARING 6202	RODAMIENTO 6202
16	B15050031	INNER BUSHING REAR WHEEL	BUJE INTERNO DE RUEDA TRASERA
17	B15050034	OIL SEAL	SELLO DE ACEITE
18	B06100046	BEARING 6302	RODAMIENTO 6302
19	B15050033	OIL SEAL	SELLO DE ACEITE
20	B15080016	PANEL COMP.,RR.BRAKE	DISCO FRENO TRASERO
21	B06100044	REAR DISK BRAKE BOLT, M8x25	TORNILLO DISCO DE FRENO JGO. M8x25
22	B15080020	SETTING,DISH BRAKE ASSY,RR	SOPORTE DISCO FRENO TRASERO
23	B15050029	COLLAR,RR.LWHEEL SIDE	BUJE ESPACIADOR RUEDA TRASERA
24	B15090036	CHAIN DRIVE SLIDE	CAUCHO DESLIZADOR DE CADENA
25	B15110007	ADJUSTER COMP.,DRIVE CHAIN	TENSOR DE CADENA
26	B15080019	DISH BRAKE ASSY,RR	CONJ. FRENO DISCO TRASERO
27	B15080021	UP DISK REAR BRAKE CYLINDER ASSY A	CONJ. BOMBA FRENO TRASERO
28	B15080018	SWITCH REAR BRAKE	INTERRUPTOR DE BOMBA FRENO TRASERO
29	B15080022	UP REAR BRAKE CYLINDER ASSY B	BOMBA DE FRENO
30	B15080017	HOSE REAR BRAKE	MANGUERA FRENO DISCO TRASERO
31	B06100042	BOLT M10 X 22	TORNILLO M10 X 22
32	B06100043	WAHER M10	ARANDELA M10
33	B15060007	CALIPER ASSY	CALIPER TRASERO
34	B15070008	SET PADS ASSY	JGO. PASTILLAS FRENO TRASERO



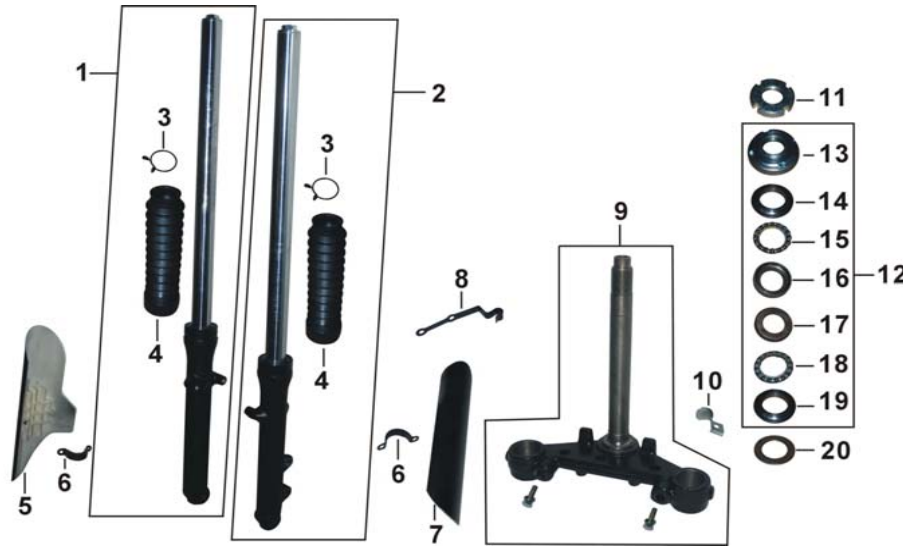


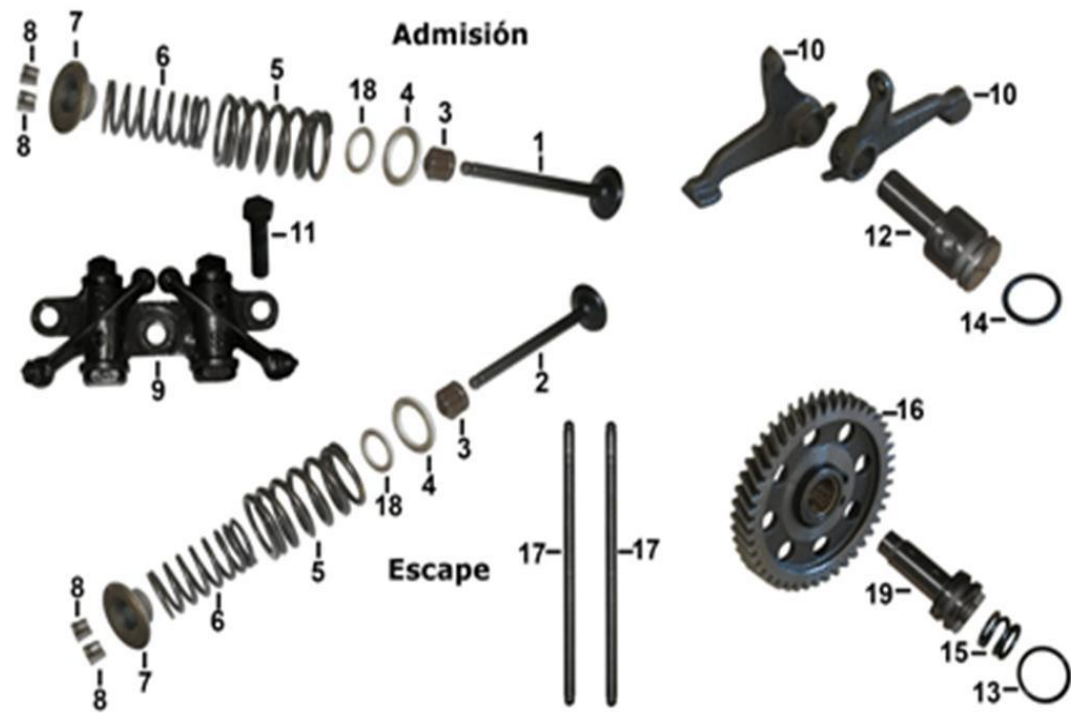
**B16 = 坐墊 & 后货架 / SEAT & RACK / ASIENTOS Y PARRILLAS**

ITEM	UM Part #	Description	Spanish
1	B16010011	FLATNESS DOUBLE LEVEL SEAT ASSY("UM"LOGO)	ASIENTO PLANO ("UM"LOGO)
2	B16010012	PROTRUDING DOUBLE LEVEL SEAT ASSY("UM"LOGO)	ASIENTO CON SOPORTE DE ESPALDA ("UM"LOGO)
3	B16020007	REAR ARMREST	PARRILLA TRASERA
4	B16060004	BUMPER FRONT PROTECTOR ( RUBBER INCLUDED)	DEFENSA DELANTERA (CAUCHO INCLUIDO)
5	B16070015	PROTECTOR COVER	CAUCHO DE LA DEFENSA
6	B16060005	PROTECTOR	DEFENSA DELANTERA
7	B16070014	U BOLT	GRAPA

B17 = 方向柱、前減 / STEERING STEM, FRONT SHOCK ABSORBER / SUSPENSION DELANTERA

ITEM	UM Part #	Description	Spanish
1	B17020006	CUSHION ASSY,R.FR.	TELESCOPICO DELANTERO DER.
2	B17030008	CUSHION ASSY,L.FR.	TELESCOPICO DELANTERO IZQ.
3	B17070061	POSITION RING, DUST PROOF COVER	ANILLO DE POSICION, CUBIERTA PROTECCION DE POLVO
4	B17070060	DUST PROOF COVER	FUELLE TELESCOPICO DELANTERO
5	B12010127	PROTECTIVE COVER,FRONT RIGHT SHOCK ABSORBER	CUBIERTA PROTECTORA, AMORTIGUADOR FRONTAL DERECHO
6	B17070041	HOLDER, PROTECTIVE COVER,FRONT SHOCK ABSORBER	SUJETADOR, CUBIERTA PROTECTORA, AMORTIGUADOR FRONTAL
7	B12010126	PROTECTIVE COVER,FRONT LEFT SHOCK ABSORBER	CUBIERTA PROTECTORA, AMORTIGUADOR FRONTAL IZQUIERDO
8	B17070059	BRACKET,DISH BRAKE ASSY,RR	PLATINA SOPORTE FRENO TRASERO
9	B17010010	STEM COMP.,STEERING	ESPIGO DE DIRECCION
11	B17050068	THREAD COMP.,STEERING HEAD TOP B	TUERCA SUPERIOR DE DIRECCION
12	B17050064	STEERING STEM BEARING SET	JGO. CUNAS DE DIRECCION
13	B17050069	THREAD COMP.,STEERING HEAD TOP	CUNA SUPERIOR DE DIRECCION
14, 19	B17050066	RACE,STEERING TOP CONE	CUNA BASE SUPERIOR DE DIRECCION
15, 18	B17050065	BALL ASSY,STEEL φ5	CANASTILLA BALINES DE DIRECCION
16, 17	B17050063	RACE,STEERING BALL	JGO. CUNAS INFERIORES
20	B17050067	STEM COMP.,STEERING .BELOW GASKET	EMPAQUE INFERIOR DE DIRECCION





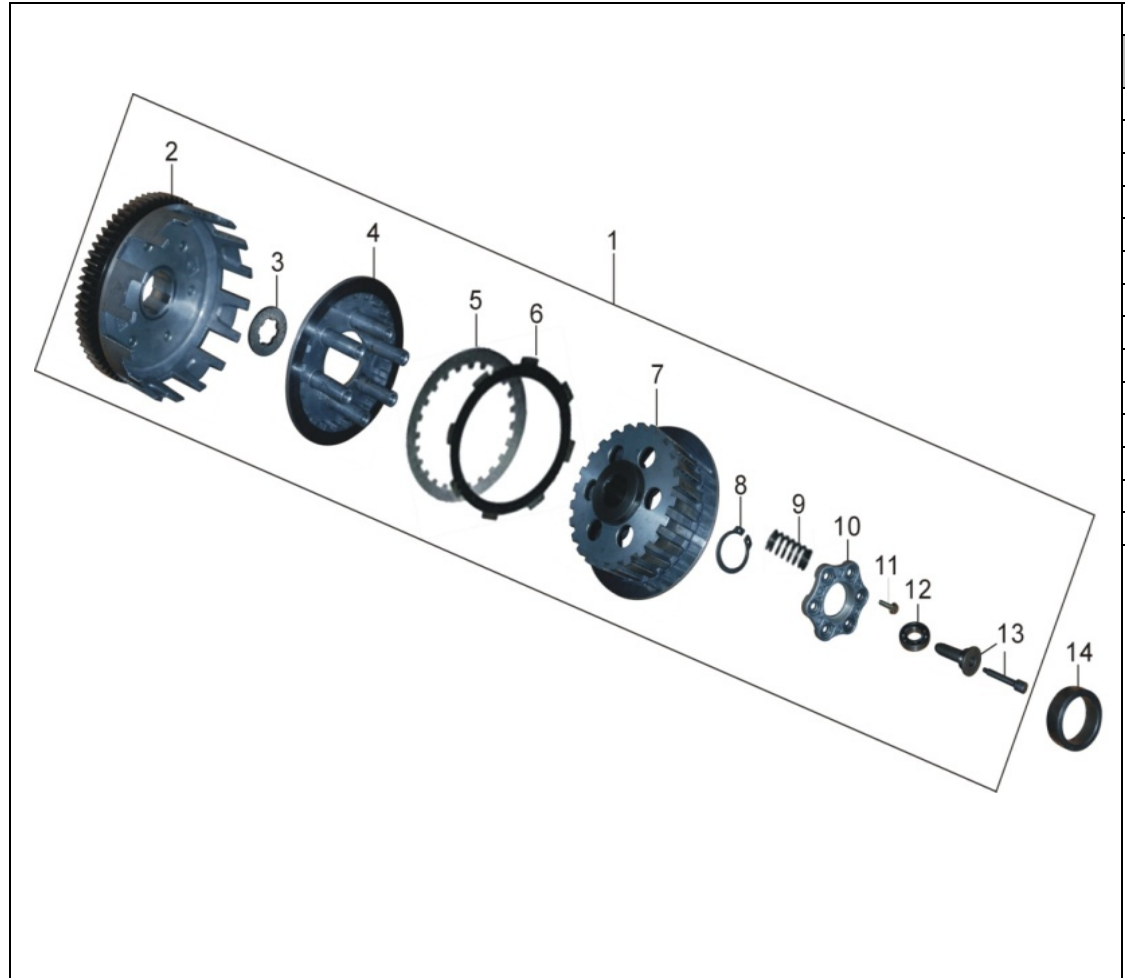
E01 = 进气和排气系统 / AIR INLET EXHAUST SYSTEM / TREN DE VALVULAS

ITEM	UM Part #	Description	Spanish
1	E01050001	INLET VALVE	VÁLVULA INT.
2	E01050002	EXHAUST VALVE	VÁLVULA EXT.
3	E01020001	VALVE STEM SEAL ASSY	SELLO DE ACEITE, VÁSTAGO VÁLVULA
4	E01040001	RETAINER, VALVE OUTER SPRING	ASIENTO DEL RESORTE EXTERIOR, VÁLVULA
5	E01040002	VALVE OUTER SPRING	RESORTE EXTERIOR, VÁLVULA
6	E01040003	VALVE INNER SPRING	RESORTE INTERIOR, VÁLVULA
7	E01040004	RETAINER, VALVE SPRING	RETENEDOR DEL RESORTE DE VÁLVULA
8	E01050003	VALVE COTTER	SEGURO, VÁLVULA
9	E01010001	ASSEMBLY, VALVE ROCKER ARM	CONJUNTO SUPERIOR BALANCINES
10	E01040005	LOWER ROCKER ARM	BRAZO IMPULSADOR INFERIOR
11	E01060022	BOLT M8×32	PERNO ASIENTO IMPULSADOR M8×32
12	E01040007	SHAFT, LOWER ROCKER ARM	EJE INFERIOR DE BALANCIN
13	E01020002	O-RING 20×2.5	O-RING 16.8 X 2.5
14	E01020009	O-RING 17×2.5	O-RING 17×2.5
15	E01040008	SPRING, VALVE CAMSHAFT	RESORTE
16	E01030001	ASSEMBLY, TIMING DRIVEN GEAR	PIÑÓN DE REPARTICIÓN
17	E01040009	ASSEMBLY, PUSH ROD	CONJUNTO DE GUIA DE VALVULA
18	E01040010	RETAINER, VALVE INNER SPRING	ASIENTO DEL RESORTE INTERIOR, VÁLVULA
19	E01060002	SHAFT ASSEMBLY, TIMING DRIVEN GEAR	EJE DEL PIÑÓN DE REPARTICIÓN

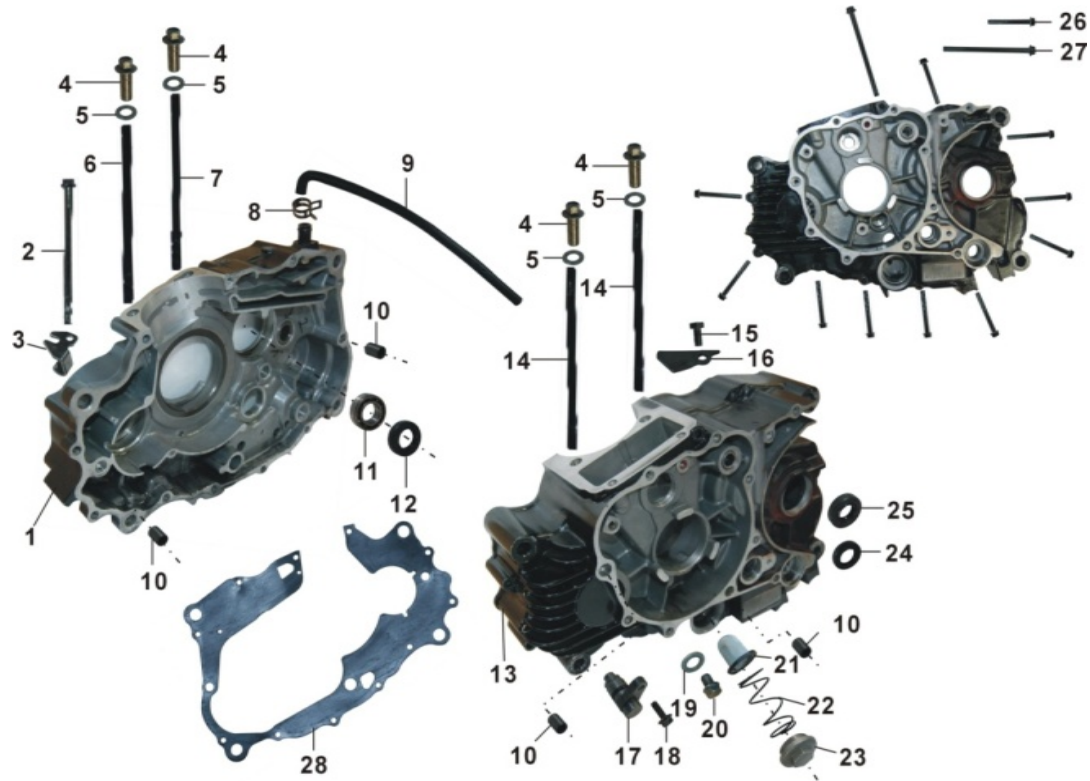


E02 = 化油器和发动机 / CARBURETOR AND ENGINE / CARBURADOR Y MOTOR

ITEM	UM Part #	Description	Spanish
1	E02010006	CARBURETOR	CARBURADOR
2	E02020003	200CC ENGINE ASSY (BLACK)	200CC MOTOR COMPLETO ( NEGRO)

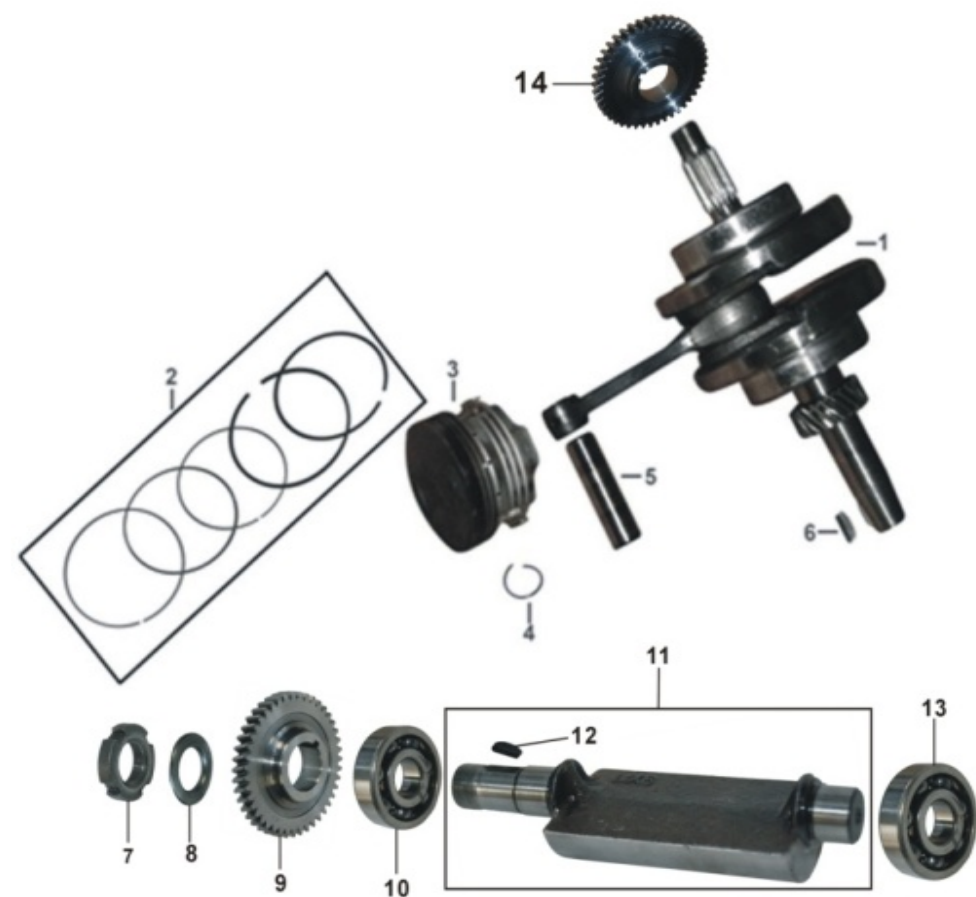


E03 = 离合器 / CLUTCH / EMBRAGUE			
ITEM	UM Part #	Description	Spanish
1	E03020014	CLUTCH ASSEMBLY	PRENSA DE EMBRAGUE COMPLETA
2	E03020001	OUTER CASE ASSEMBLY, CLUTCH	CONJ CAMPANA DE CLUTCH
3	E03060002	SPLINE WASHER, CLUTCH	ARANDELA
4	E03030001	PRESSURE PLATE, CLUTCH	PLATO DE PRESION
5	E03030002	FRICION PLATE, DRIVEN, CLUTCH	PLATO DE CORREA
6	E03030003	FRICION PLATE, DRIVE, CLUTCH	PLATO DE CLUTCH A
7	E03020002	CENTRAL SLEEVE., CLUTCH	CUBO DE TRASMISION
8	E03060020	CIRCLIP 20, CLUTCH	CLIP 20
9	E03060001	SPRING, CLUTCH	RESORTE
10	E03010001	END COVER, CLUTCH	CUBIERTA FINAL DE CLUTCH
11	E08040008	BOLT M6x25	TORNILLO M6 X 25
12	E03050001	BEARING (16003)	RODAMIENTO16003
13	E03060003	PUSH ROD, CLUTCH	RESORTE MOTOR 200 CONTRABALANCIN
14	E03060019	LOCATING SLEEVE, MAINSHAFT	ANILLO DE RETENCIÓN



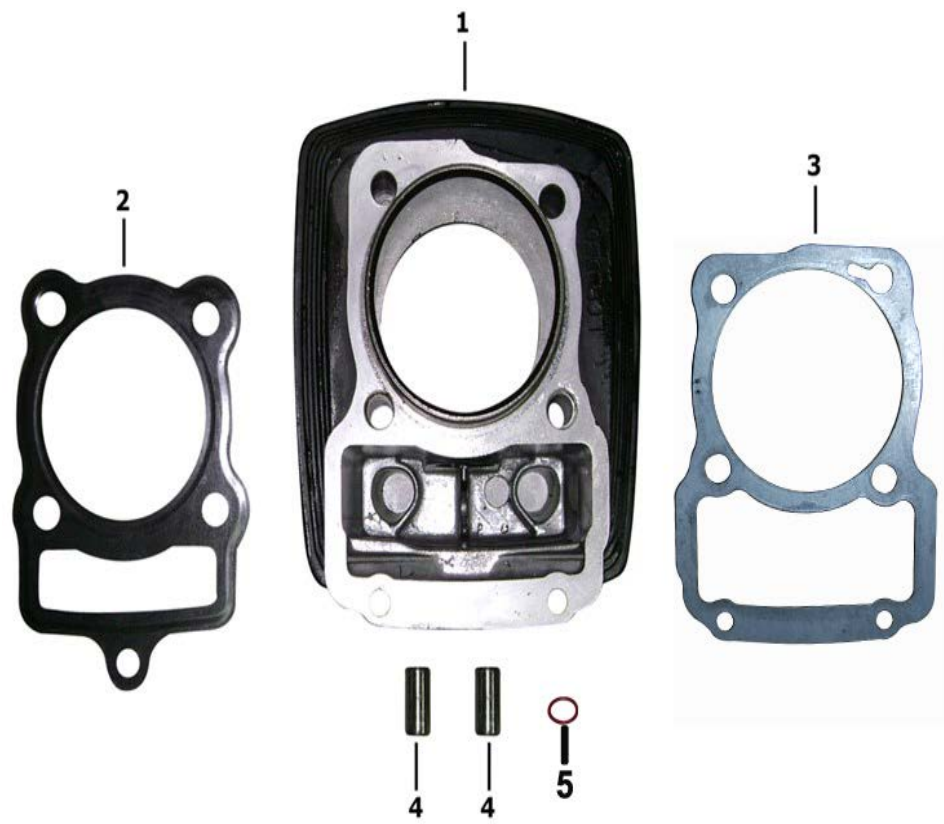
**E04 = 曲轴箱 / CRANKCASE ASSEMBLY / CARCAZAS DE MOTOR (CARTER)**

ITEM	UM Part #	Description	Spanish
1	E04010010	ASSEMBLY, RIGHT CRANKCASE, BLACK	CONJ CARCAZA DE MOTOR LADO DERECHO
2	E04060017	BOLT	TORNILLO M6 X 55
3	E04060002	STEEL BRACKET, CLUTCH	SOPORTE DE GUAYA DE CLUTCH
4	E04060004	NUT M8×32	TUERCA M8×32 MOTOR 200 C.balanceo
5	E04060019	WASHER 12.5×2×22	ARANDELA 8 COBRE
6, 7	E04060005	STUD B	TORNILLO CILINDRO A
8	E04060045	BREATHER TUBE	CLIP DE TUBERIA DESAHOGO
9	E04020005	SEPARATOR, FUEL 1 AND AIR	TUBO RESPIRADERO
10	E04060037	DOWEL PIN 10×14	PASADOR 10 X 14
11	E04030001	NEEDLE BEARING (NK152312)	CANASTILLA EJE SALIDA (NK152312)
12	E04020007	OIL SEAL 20×34×7	PIÑON DE ARRANQUE EJE SECUNDARIO MOTOR 20×34×7
13	E04010009	ASSEMBLY, LEFT CRANKCASE, BLACK	CONJ CARCAZA DE MOTOR LADO IZQ. BLACK
14	E04060003	STUD A	TORNILLO CILINDRO B
15	E13010002	BOLT M6×12	TORNILLO M6 X 12
16	E04060023	RETAINER, CABLE	GUÍA,
17	E04050004	ASSEMBLY, PRESSURE PIN	PRESSING PIN
18	E04060006	BOLT M6×28	TORNILLO M6 X 28
19	E04060015	WASHER 12.5×1.5×20 (ALUMINIUM)	ARANDELA 12.5×1.5×20
20	E04060016	OIL DRAIN PLUG M12×1.5	TAPÓN DE DRENAJE M12×1.5
21	E04050003	ASSEMBLY, OIL FILTER SCREEN	FILTRO COLADOR DE ACEITE
22	E04050002	SPRING, OIL FILTER SCREEN	RESORTE DE FILTRO / COLADOR DE ACEITE
23	E04050001	CAP, TAPPET ADJUSTING HOLE	TORNILLO DE DRENAJE
24	E04020002	OIL SEAL 14×28×7	SELLO DE ACEITE
25	E04030005	BEARING (6204)	RODAMIENTO (6204)
26	E12060010	BOLT M6×40	TORNILLO M6 X 40
27	E04060046	BOLT M6×50	TORNILLO M6×50
28	E04020006	GASKET, CRANKCASE	EMPAQUETADURA DE CARTER



E05 = 曲轴 & 活塞 / CRANKSHAFT & PISTON / CIGÜEÑAL, PISTON Y ANILLOS

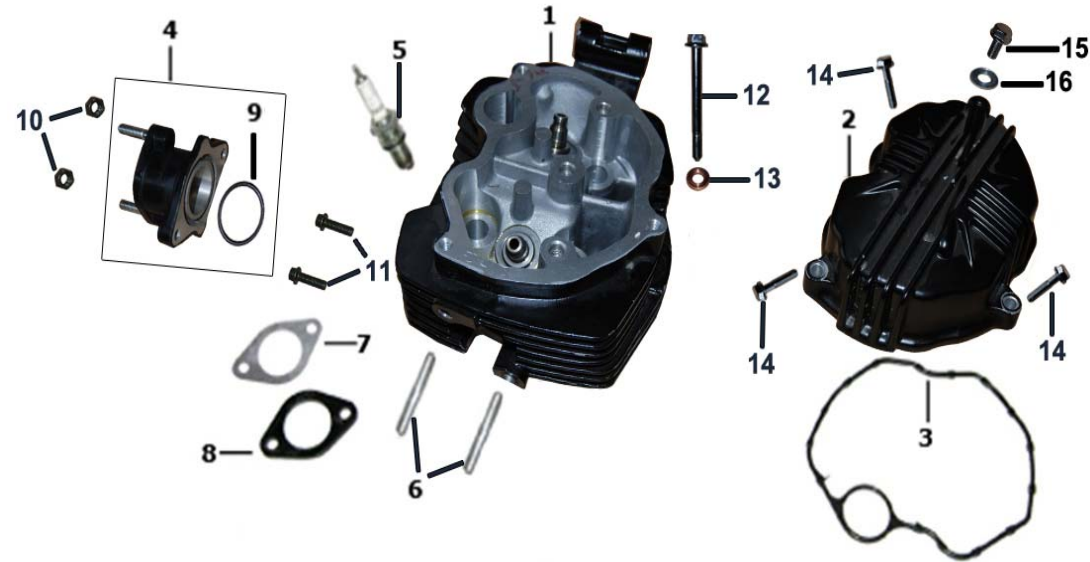
ITEM	UM Part #	Description	Spanish
1	E05020001	ASSEMBLY, CONNECTING ROD CRANKSHAFT	CONJ CIGÜEÑAL
2	E05010005	ASSEMBLY, PISTON RING	JGO. ANILLOS STD.
3	E05010002	PISTON	PISTON
4	E05010008	CIRCLIP, PISTON PIN	ANILLO DE RETENCIÓN PISTÓN
5	E05010003	PISTON PIN	PISTON PIN
6	E05030001	SEMICIRCULAR KEY 25×14×4	LLAVE SEMI-CIRCULAR 25 X 14 X 4
7	E05030024	LOCK NUT M16×1-6H (LEFT)	TORNILLO DE CIERRE IZQUIERDO
8	E13030005	THRUST WASHER 16.2×3×22.5	ESPACIADOR 16.2×3×22.5
9	E05030002	DRIVEN GEAR ASSEMBLY, BALANCE	EJE BALANCE DE ENGRANAJE
10	E05030003	BEARING (6203)	RODAMIENTO 6203
11	E05030004	BALANCE SHAFT	EJE DE BALANCE
12	E05030001	SEMICIRCULAR KEY 25×14×4	LLAVE SEMI-CIRCULAR 25 X 14 X 4
13	E05030005	BEARING (6303)	RODAMIENTO 6303
14	E05030008	DRIVING GEAR, BALANCE	EJE DE DIRECCION DE ENGRANAJE



**E06 = 汽缸体 / CYLINDER BLOCK / CILINDRO DE MOTOR**

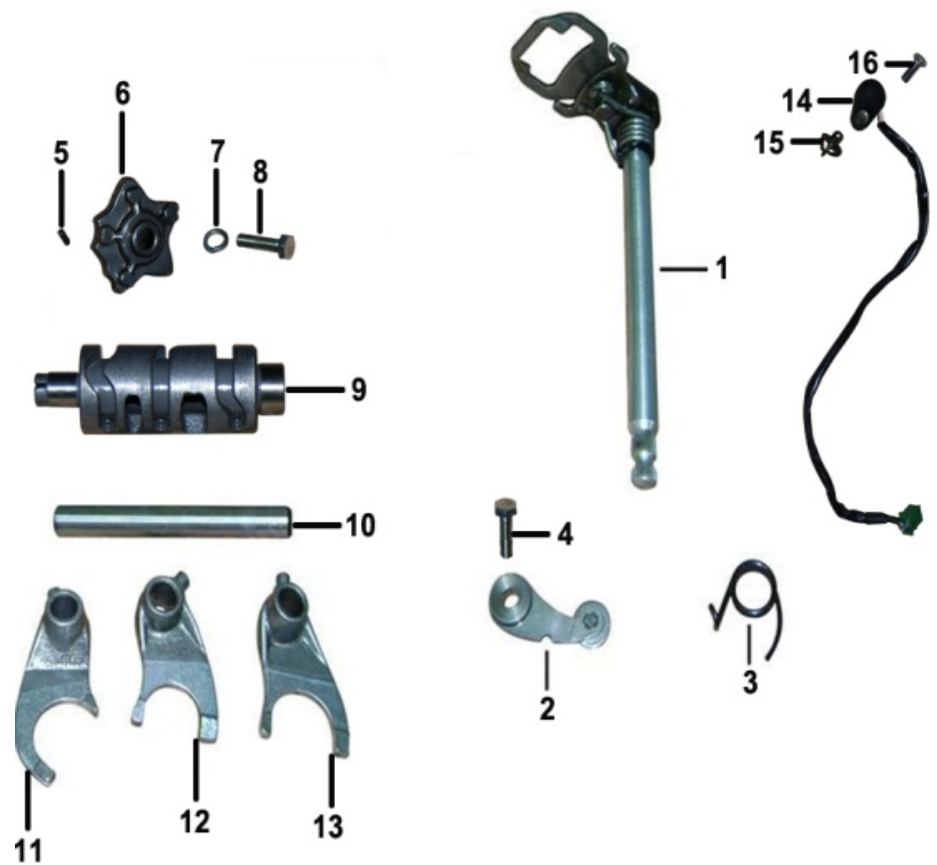
ITEM	UM Part #	Description	Spanish
1	E06010001	CYLINDER BLOCK COMP, BLACK	CONJ BLOQUE MOTOR
2	E06020002	GASKET ASSY,CYLINDER HEAD	EMPAQUETADURA DE TAPA DE VALVULA
3	E06020001	GASKET,CYLINDER BLOCK	EMPAQUETADURA DE CILINDRO
4	E06030004	DOWEL PIN 10x20	PASADOR 10 X 20
5	E06030012	O-RING 10x1.6	O-RING 10 X 1.6





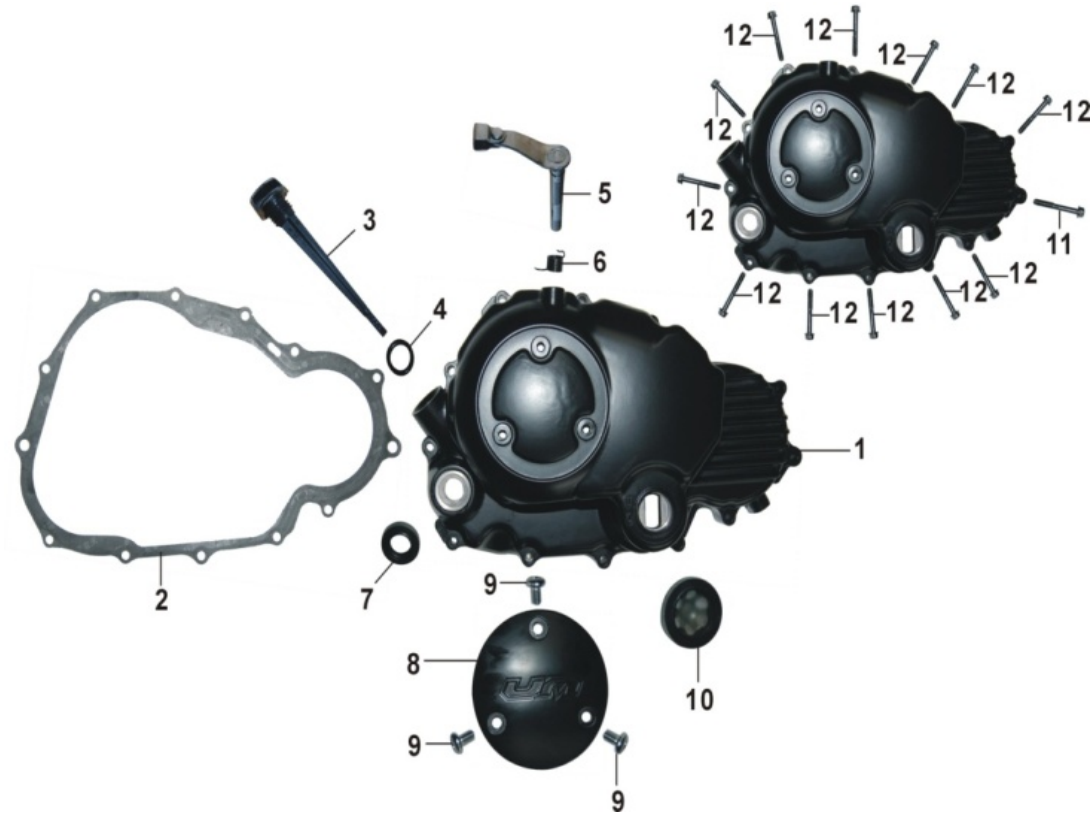
E07 = 汽缸头和盖 / CYLINDER HEAD & COVERS / CULATA Y CUBIERTAS

ITEM	UM Part #	Description	Spanish
1	E07010002	CYLINDER HEAD ASSY, BLACK	CONJ CAMARIN
2	E07010013	CYLINDER HEAD UPPER COVER, BLACK, SILVER	TAPA VALVULA
3	E07030001	SEAL RING, CYLINDER HEAD UPPER COVER	EMPAQUE TAPA CULATA
4	E07050001	PIPE COMP,INTAKE (JQ-18)	GOMA MANIFOLD
5	E07020001	SPARK PLUG (D8TC)	BUJÍA DE ENCENDIDO(D8TC)
6	E07040023	STUD M8×35	ESPARRAGOS M6 X 20
7	E07050004	GASKET	EMPAQUETADURA
8	E07050005	RUBBER	CAUCHO
9	E07030002	O-RING 33.5×3	O-RING 33.5 X 3
10	E07040029	NUT M6	TUERCA M6
11	E07040004	BOLT M6×20	TORNILLO M6 X 30
12	E07040003	BOLT M8×82	PERNO CILINDRO M8×82
13	E07040001	WASHER 8.5×2.2×18	ARANDELA 8.5×2.2×18
14	E08030001	BOLT M6×28	TORNILLO M6 X 22
15	E13010002	BOLT M6×12	TORNILLO M6 X 12
16	E07040001	WASHER 6.5×1×12	ARANDELA 6



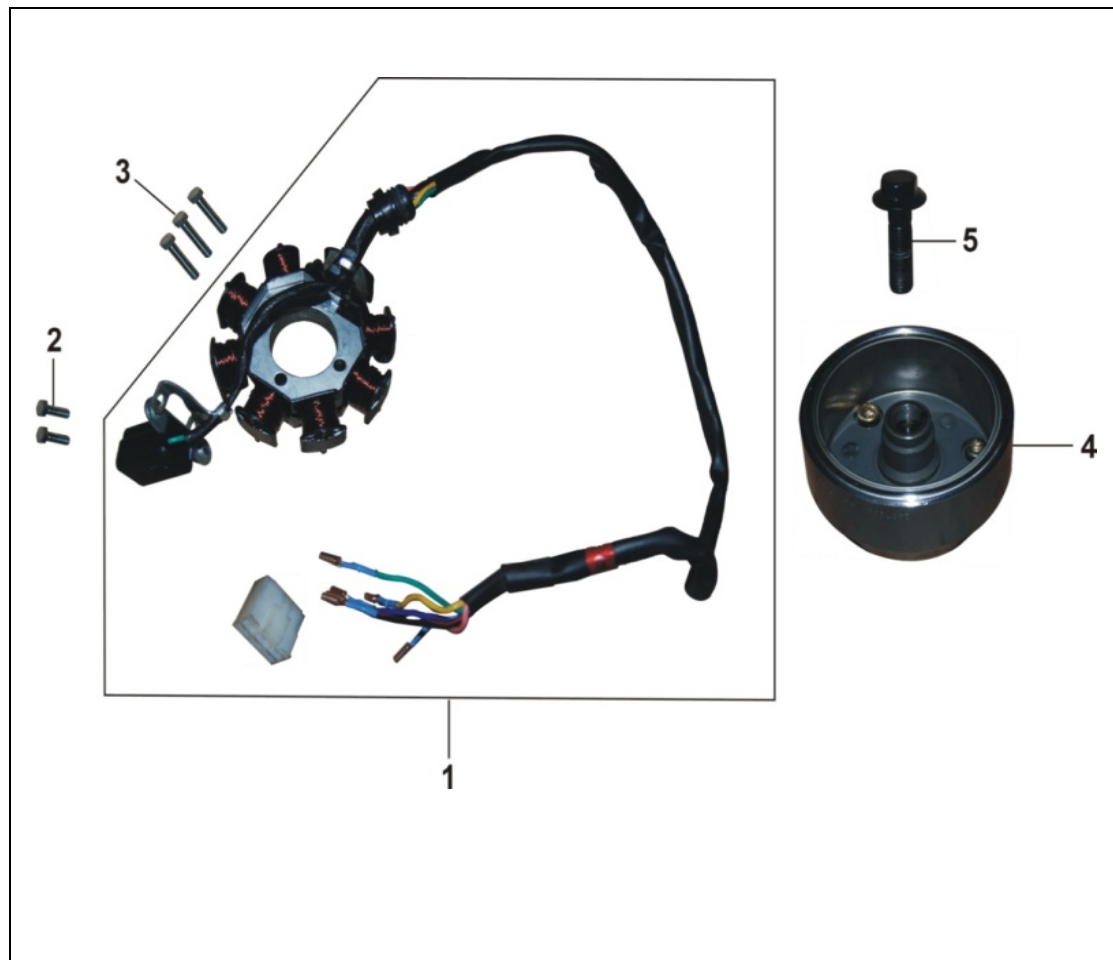
E08 = 齿轮 / GEAR SHIFTING / TAMBOR SELECTOR

ITEM	UM Part #	Description	Spanish
1	E08010009	ASSEMBLY, GEARSHIFT LEVER	EJE DE CAMBIOS COMPLETO
2	E08040002	ASSEMBLY, LOCATING PLATE	SWITCH DE ROTOR NEUTRAL
3	E07040005	SPRING, LOCATING PLATE	RESORTE
4	E08030001	BOLT M6×20	TORNILLO M6 X 22
5	E08040001	PIN 4×10	PIN 4×10
6	E08010007	STOPPING PLATE	PLATO DE ENGRANAJE PRINCIPAL
7	E07040001	SPRING WASHER φ6	ARANDELA DE PRESIÓN φ6
8	E08040008	BOLT M6×25	TORNILLO M6 X 25
9	E08010008	GEARSHIFT DRUM	SELECTOR DE CAMBIO
10	E08010003	SHAFT, FORK SPREADER	EJE GUIA DE HORQUILLA
11	E08010004	RIGHT FORK SPREADER,COUNTERSHAFT	ENGRANAJE PRINCIPAL DE HORQUILLA DER.
12	E08010005	FORK SPREADER, MAINSHAFT	ENGRANAJE CENTRAL DE HORQUILLA
13	E08010006	LEFT FORK SPREADER, COUNTERSHAFT	ENGRANAJE PRINCIPAL HORQUILLA IZQ.
14	E04050006	CABLE ASSEMBLY, GEAR INDICATION	INTERRUPTOR IINDICADOR DE CAMBIOS
15	E08030003	CONTACT, CEARINDICATION	CONTACTO DE INDICADOR DE CAMBIOS
16	E08040022	BOLT M6×12	TORNILLO M6×12

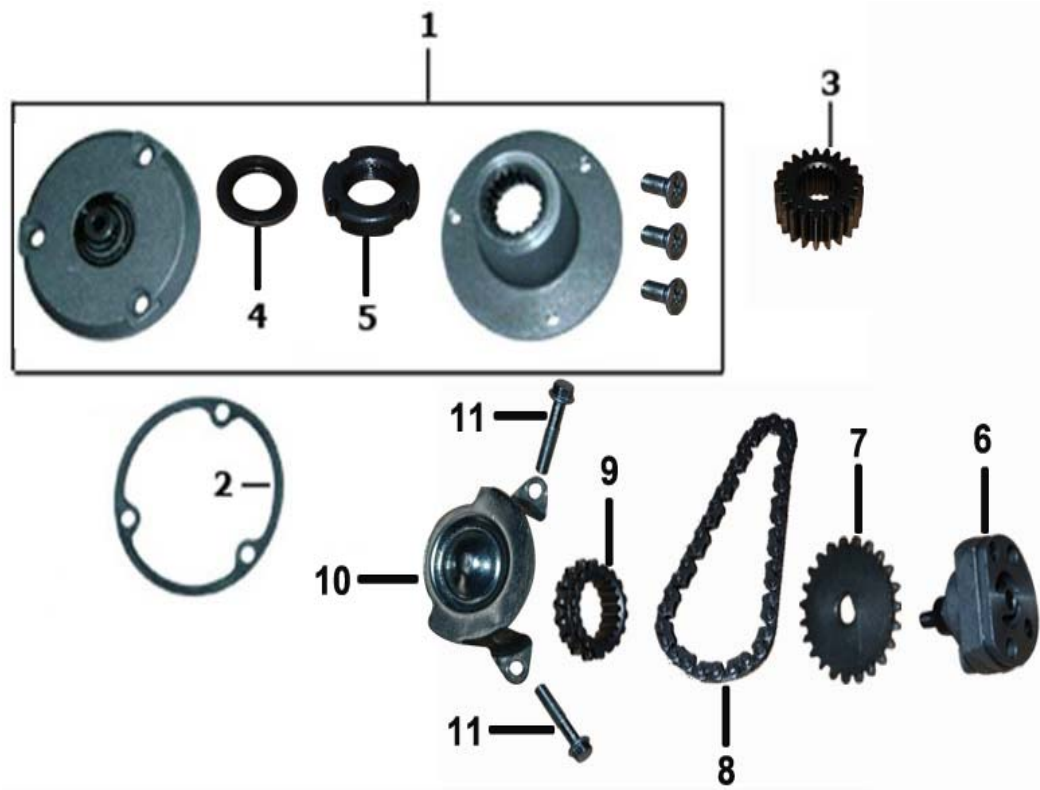


**E09 = 左曲轴箱 / LEFT CRANKCASE COVER / CUBIERTA IZQUIERDA DE MOTOR**

ITEM	UM Part #	Description	Spanish
1	E09010014	ASSEMBLY, RIGHT CRANKCASE COVER, BLACK	TAPA DE MOTOR
2	E12030001	GASKET, RIGHT CRANKCASE COVER	EMPAQUETADURA DE TAPA DE MOTOR
3	E09050016	DIPSTICK	CONJUNTO LEVA EMBRAGUE
4	E09030009	O-RING 18x3	O-RING 18 X 3
5	E12020001	CONTROLLING ARM ASSEMBLY, CLUTCH	PALANCA DE CLUTCH
6	E09050017	SPRING, CONTROLLING ARM, CLUTCH	RESORTE DE PALANCA DE CLUTCH
7	E12030002	OIL SEAL 16x28x7	SELLO DE ACEITE
8	E09010015	DECORATE COVER, RIGHT CRANKCASE COVER, BLACK+E1412	DECORACION DE CUBIERTA DE CLUTCH
9	E13010002	SCREW M6x12	TORNILLO M6 X 12
10	E12050002	WINDOW, OIL LEVEL	SENSOR DE NIVEL DE ACEITE
11	E09050018	BOLT M6x45	TORNILLO M6 X 45
12	E09050001	BOLT M6x40	TORNILLO M6 X40



E10 = 磁电机 / MAGNETO / GENERADOR			
ITEM	UM Part #	Description	Spanish
1	E10010002	STATOR ASSEMBLY, MAGNETO	ESTATOR
2	E10030004	SCREW M5×16	TORNILLO M8 X 10
3	E10030005	BOLT M5×28	TORNILLO M6 X 28
4	E10020001	ROTOR ASSEMBLY, MAGNETO	ROTATOR
5	E05030009	BOLT M10×36	TORNILLO PIVOTE

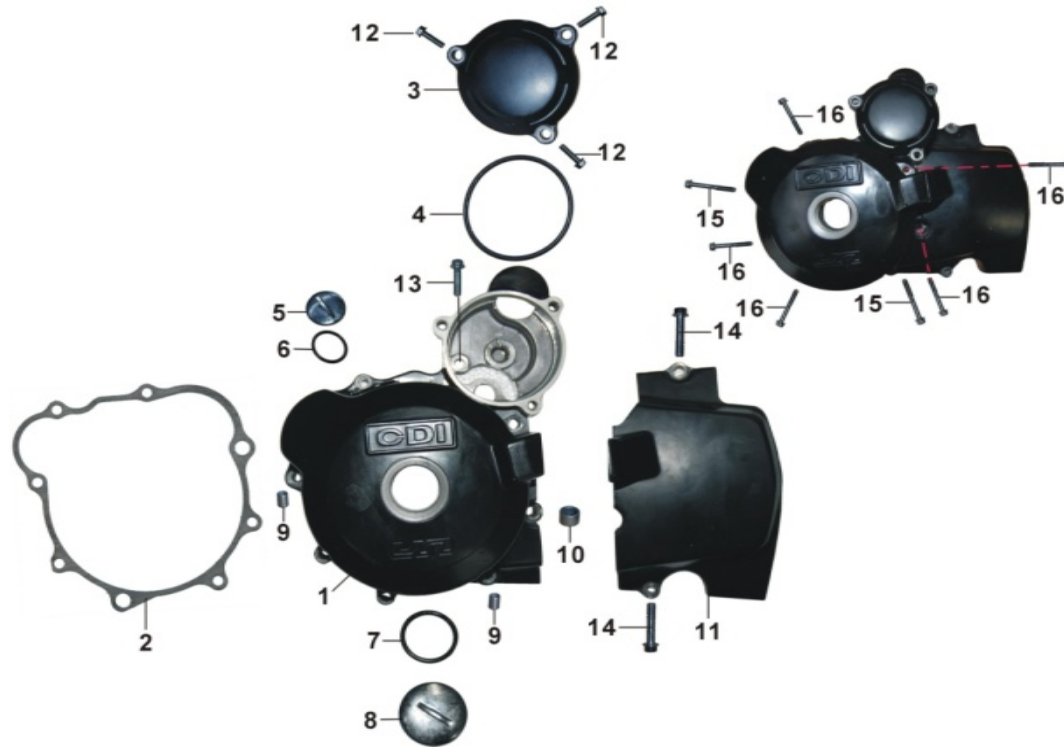


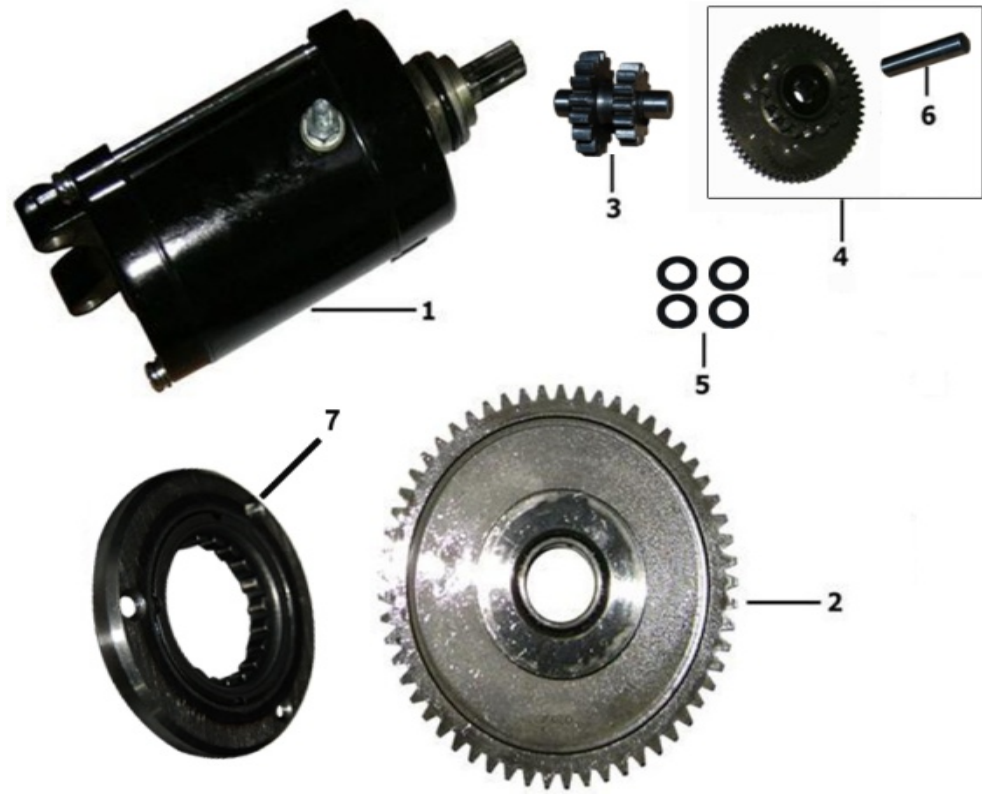
E11 = 油泵 & 汽油过滤器 / OIL PUMP&OIL FILTER COMP / BOMBA DE ACEITE Y FILTROS

ITEM	UM Part #	Description	Spanish
1	E11020001	ASSEMBLY, OIL FILTER	FILTRO DE ACEITE
2	E11030004	GASKET, OIL FILTER COVER	EMPAQUETADURA
3	E05030007	DRIVE GEAR	ENGRANAJE DE ARBOL DE LEVA
4	E11040009	DISH WASHER, CLUTCH	ARANDELA CLUTCH
5	E05030006	NUT, OIL FILTER	PIÑON BOMBA DE ACEITE
6	E11010001	OIL PUMP	CUBIERTA BOMBA DE ACEITE
7	E11040008	DRIVE SPROCKET ASSEMBLY, OIL PUMP	PIÑON DE DIRECCION BOMBA DE ACEITE
8	E11040001	CHAIN, OIL PUMP	CADENA DE BOMBA DE ACEITE
9	E05030011	DRIVE SPROCKET, OIL PUMP	SPROCKET BOMBA DE ACEITE
10	E11010005	COVER, SPROCKET WHEEL, OIL PUMP	PIÑON DE BOMBA DE ACEITE
11	E13010002	BOLT M6×32	TORNILLO M6 X 32

E12 = 右箱体 / RIGHT CRANKCASE COVER / CUBIERTA DERECHA DE MOTOR

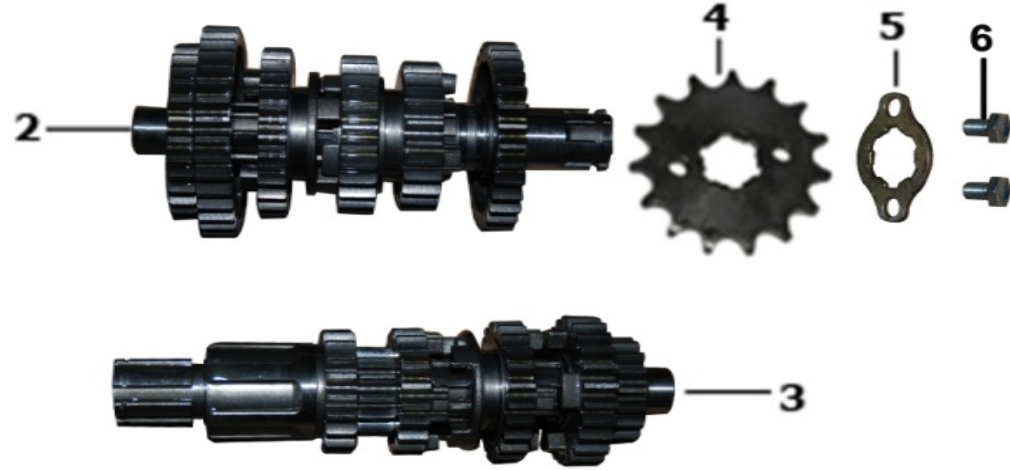
ITEM	UM Part #	Description	Spanish
1	E12010012	FRONT COVER, LEFT CRANKCASE, BLACK	CUBIERTA DE TAPA DE MOTOR
2	E09030001	GASKET, FRONT COVER, LEFT CRANKCASE	EMPAQUETADURA DE CUBIERTA
3	E12010015	COVER, DOUBLE GEAR	CUBIERTA DE REDUCTOR DE ENGRANAJE
4	E09030002	O-RING 62×3	O- RING 62 X 3
5	E04060012	CAP, SMALL VIEW HOLE	TAPON DE INSPECCION
6	E12030004	O-RING 13.2×2.65	O-RING 13.8 X 2.5
7	E12030005	O-RING 27.4×2.65	O- RING 27.4 X 2.65
8	E12010014	DECORATE COVER, FRONT COVER	CUBIERTA DE DECORACION
9	E04060021	DOWEL PIN 10×14	GUÍA 10×14
10	E13020001	NEEDLE BEARING (HK101410)	RODAMIENTO DE AGUAJA HK101410
11	E12010013	REAR PART, LEFT CRANKCASE COVER	CUBIERTA TRASERA DE TAPA MOTOR
12	B06100001	BOLT M6×20	TORNILLO M6 X 20
13	E04060006	BOLT M6×25	TORNILLO M6 X 25
14	E12060012	BOLT M6×28	TORNILLO M6 X 28
15	E09050003	BOLT M6×50	TORNILLO M6 X 50
16	E09050001	BOLT M6×40	TORNILLO M6 X40





E13 = 启动马达 / STARTING MOTOR / ARRANQUE DE MOTOR

ITEM	UM Part #	Description	Spanish
1	E13010001	STARTING MOTOR ASSY, BLACK	CONJ MOTOR DE ARRANQUE
2	E13020005	STARTER GEAR	CONJ ENGRANAJE DE ARRANQUE
3	E13020003	GEAR,CONNECTED,2	ENGRANAJE DUAL (2)
4	E13020002	GEAR,CONNECTED,1	ENGRANAJE DUAL (1)
5	E13030001	WASHER 10.5×0.5×18	ARANDELA 10M
6	E13010004	GEARSHAFT,CONNECTED	EJE DE ENGRANAJE DUAL (1)
7	E13020004	STARTER CLUTCH COMP.	EMBRAGUE DE ARRANQUE



E14 = 传动系统 / TRANSMISSION / TRANSMISION

ITEM	UM Part #	Description	Spanish
1	E14020002	ASSEMBLY, KICK STARTING SHAFT	EJE DE ARRANQUE COMPLETO
2	E14020003	ASSEMBLY, COUNTERSHAFT	EJE CONDUCTOR COMPLETO
3	E14020004	ASSEMBLY, MAINSHAFT	EJE PRIMARIO COMPLETO
4	E14010001	DRIVE SPROCKET	PIÑÓN DELANTERO
5	E14040001	FIXING PLATE, DRIVE SPROCKET	PLACA FIJA
6	E04060042	BOLT M6×10	PERNO M6×10