



V2S 650 / V2S 650 R / V2S 650 S

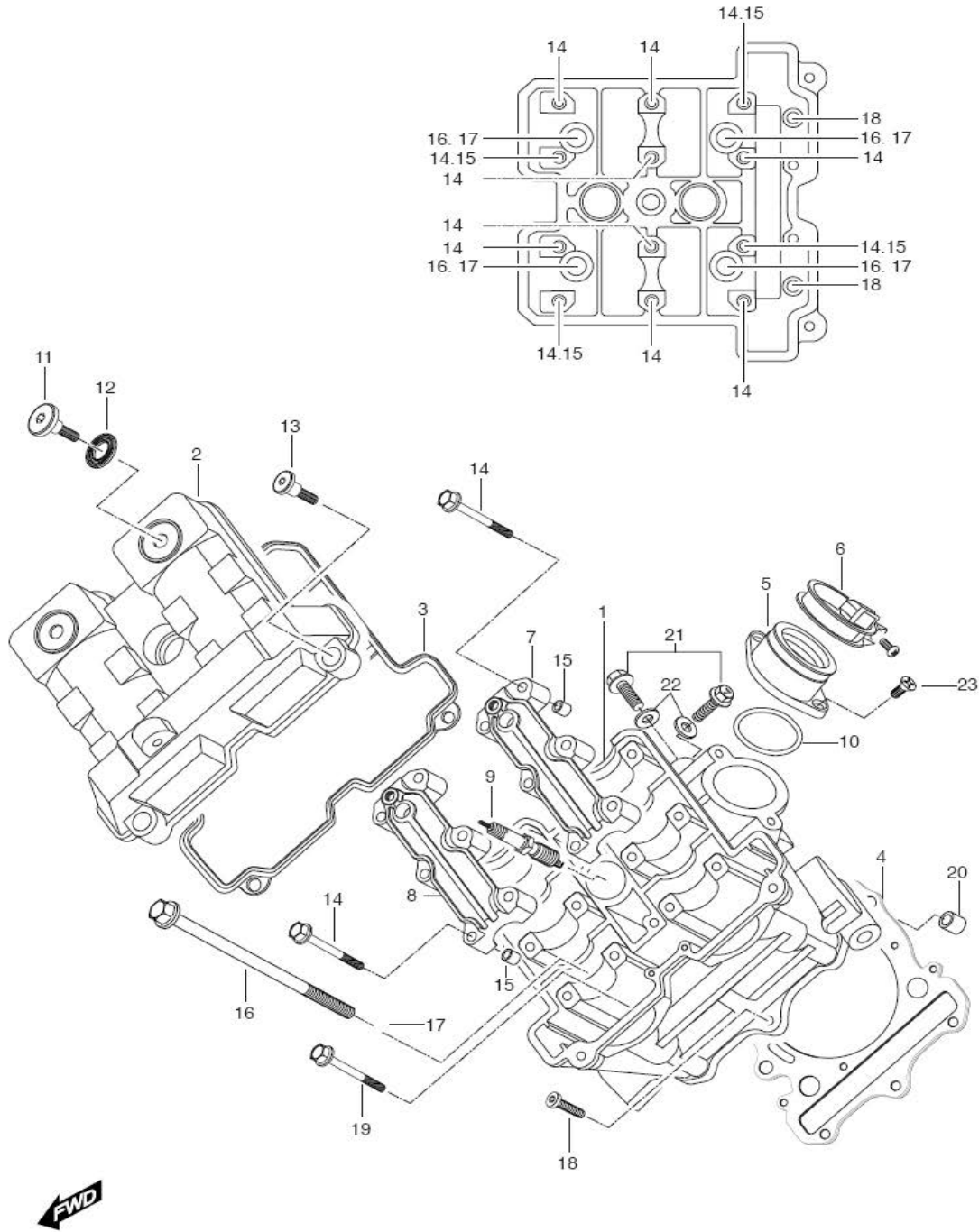
PARTS CATALOG



2006 V2S-650 / 650R



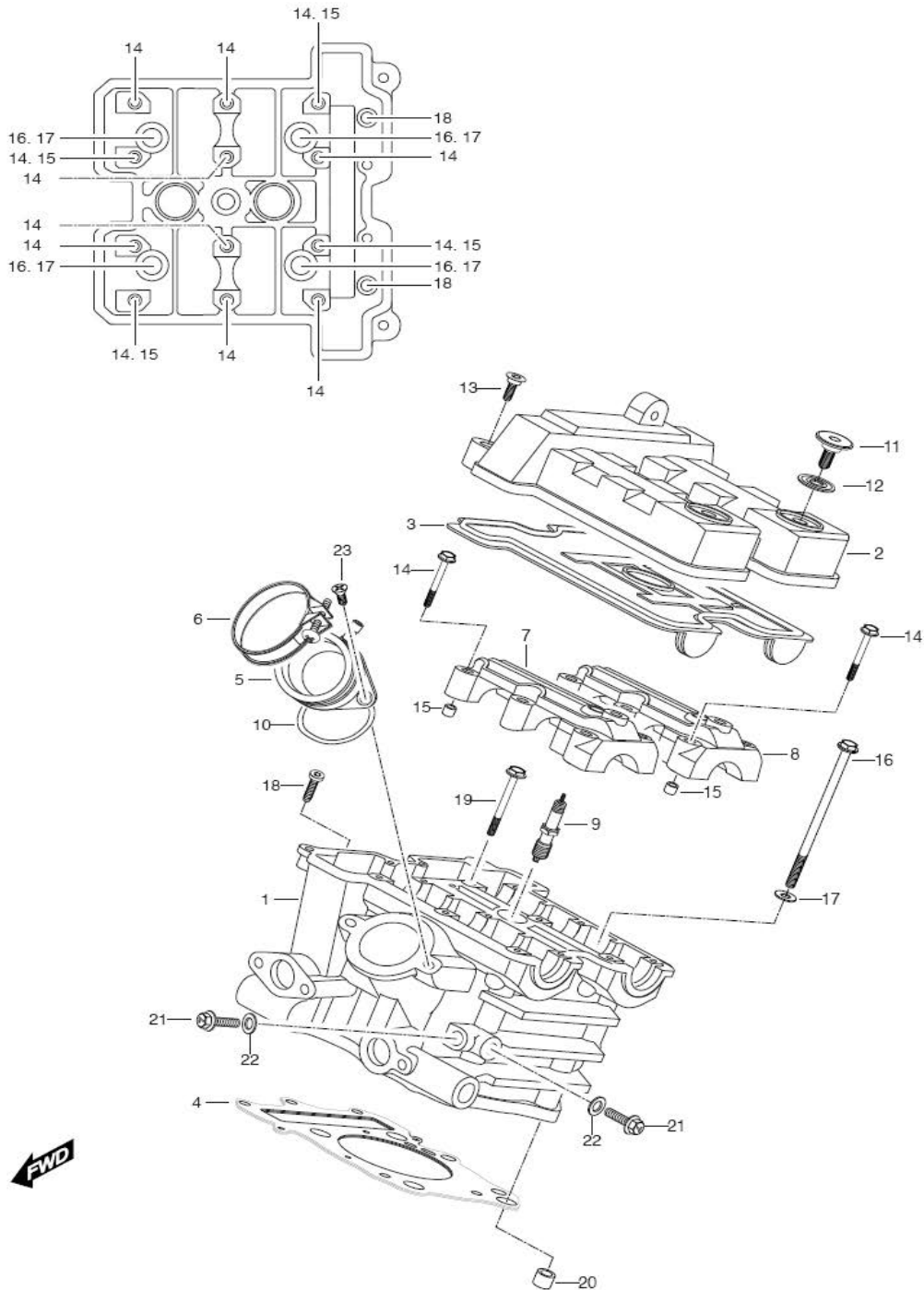
CYLINDER HEAD/(FRONT)



**CYLINDER HEAD/(FRONT)**

| Ref # | Part # | Description | Quantity | Remarks |
|-------|----------------|--------------------------------|----------|--------------|
| 1 | 11110SN9100HPA | HEAD ASSY, cylinder front | 1 | |
| 1-1 | 11110HN9100HPA | HEAD COMP, cylinder | 1 | |
| 2 | 11171HN91000S1 | COVER, cylinder head front | 1 | |
| 3 | 11173HN9100 | GASKET, cylinder head cover | 1 | |
| 4 | 11141HN9101 | GASKET, cylinder head | 1 | |
| 5 | 13110HN9100 | PIPE COMP, intake front | 1 | |
| 6 | 09402-56208 | CLAMP, carburetor | 1 | |
| 7 | 11131HN9100PCH | HOUSING, camshaft intake | 1 | Not for Sale |
| 8 | 11132HN9100PCH | HOUSING, camshaft exhaust | 1 | Not for Sale |
| 9 | 09482-00456 | PLUG, spark CR8E | 1 | |
| 10 | 13131HN9100 | O-RING, intake pipe | 1 | |
| 11 | 09109H07018 | BOLT, cylinder head cover NO.1 | 2 | |
| 12 | 09161H11008 | WASHER, cylinder head cover | 2 | |
| 13 | 09106H07017 | BOLT, cylinder head cover NO.2 | 2 | |
| 14 | 09103H06002 | BOLT, camshaft housing | 12 | |
| 15 | 09206-08001 | KNOCK PIN, camshaft housing | 4 | |
| 16 | 09103H10001 | BOLT, cylinder head (M10) | 4 | |
| 17 | 09160H10002 | WASHER, cylinder head bolt | 4 | |
| 18 | 07120-06408 | BOLT, cylinder head NO.1 (M6) | 1 | |
| 19 | 09103H06001 | BOLT, cylinder head NO.2 (M6) | 2 | |
| 20 | 04213-13189 | PIN, cylinder knock | 4 | |
| 21 | 01514-08128 | BOLT, oil gallery | 2 | |
| 22 | 09168-08008 | GASKET, oil gallery bolt | 2 | |
| 23 | 02122-06208 | SCREW, crank outer | 2 | |

CYLINDER HEAD/(REAR)

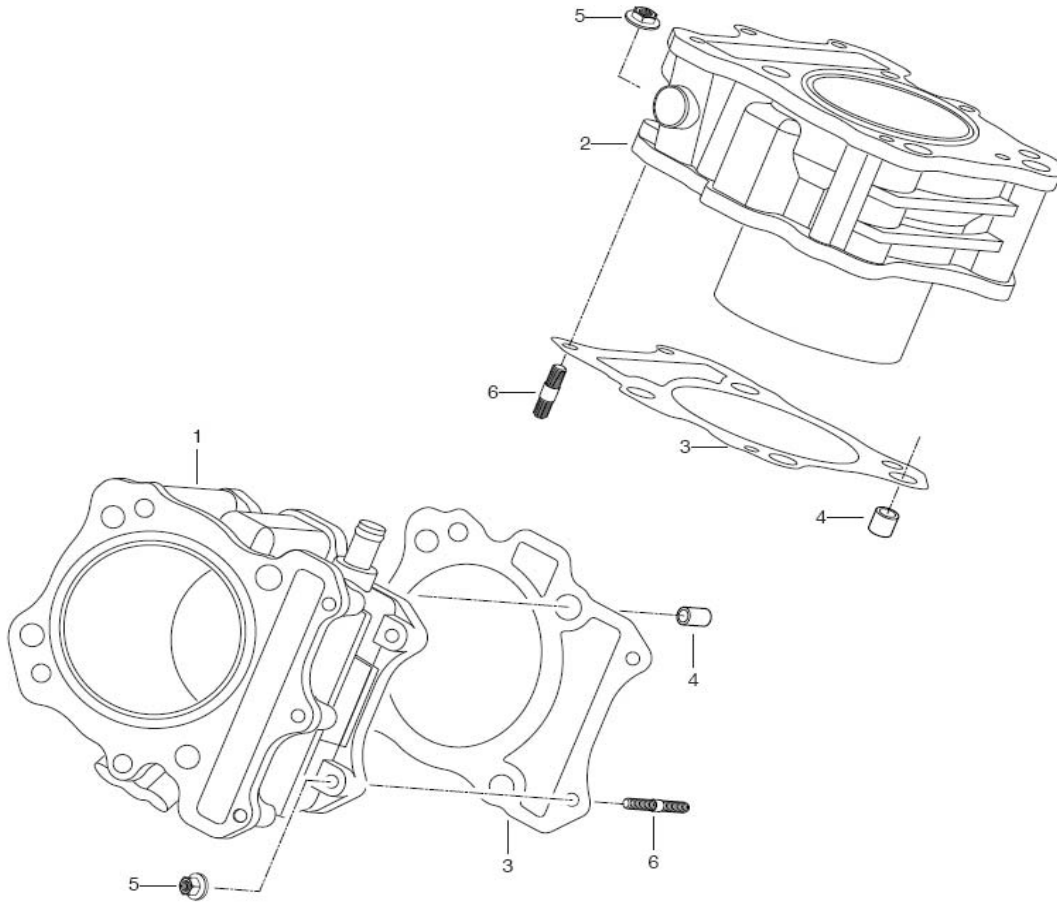




CYLINDER HEAD/(REAR)

| Ref # | Part # | Description | Quantity | Remarks |
|-------|----------------|--------------------------------|----------|-------------------|
| 1 | 11120SN9100HPA | HEAD ASSY, cylinder rear | 1 | |
| 1-0-1 | | HEAD ASSY, cylinder rear | 1 | KM4MP51C051101217 |
| 1-1 | 11120HN9100HPA | HEAD COMP, rear | 1 | |
| 1-1-1 | | HEAD COMP, rear | 1 | KM4MP51C051101217 |
| 2 | 11171HN91000S1 | COVER, cylinder head rear | 1 | |
| 3 | 11173HN9100 | GASKET, cylinder head cover | 1 | |
| 4 | 11141HN9101 | GASKET, cylinder head | 1 | |
| 5 | 13120HN9101 | PIPE COMP, intake rear | 1 | |
| 6 | 09402-56208 | CLAMP, carburetor | 1 | |
| 7 | 11131HN9100PCH | HOUSING, camshaft intake | 1 | Not for Sale |
| 8 | 11132HN9100PCH | HOUSING, camshaft exhaust | 1 | Not for Sale |
| 9 | 09482-00456 | PLUG, spark CR8E | 1 | |
| 10 | 13131HN9100 | O-RING, intake pipe | 1 | |
| 11 | 09109H07018 | BOLT, cylinder head cover NO.1 | 2 | |
| 12 | 09161H11008 | WASHER, cylinder head cover | 2 | |
| 13 | 09106H07017 | BOLT, cylinder head cover NO.2 | 2 | |
| 14 | 09103H06002 | BOLT, camshaft housing | 12 | |
| 15 | 09206-08001 | KNOCK PIN, camshaft housing | 4 | |
| 16 | 09103H10001 | BOLT, cylinder head (M10) | 4 | |
| 17 | 09160H10002 | WASHER, cylinder head bolt | 4 | |
| 18 | 07120-06408 | BOLT, cylinder head NO.1 (M6) | 1 | |
| 19 | 09103H06001 | BOLT, cylinder head NO.2 (M6) | 2 | |
| 20 | 04213-13189 | PIN, cylinder head knock | 4 | |
| 21 | 01514-08128 | BOLT, oil gallery | 2 | |
| 22 | 09168-08008 | GASKET, oil gallery bolt | 2 | |
| 23 | 02122-06208 | SCREW, crank outer | 2 | |

CYLINDER /FRONT, REAR

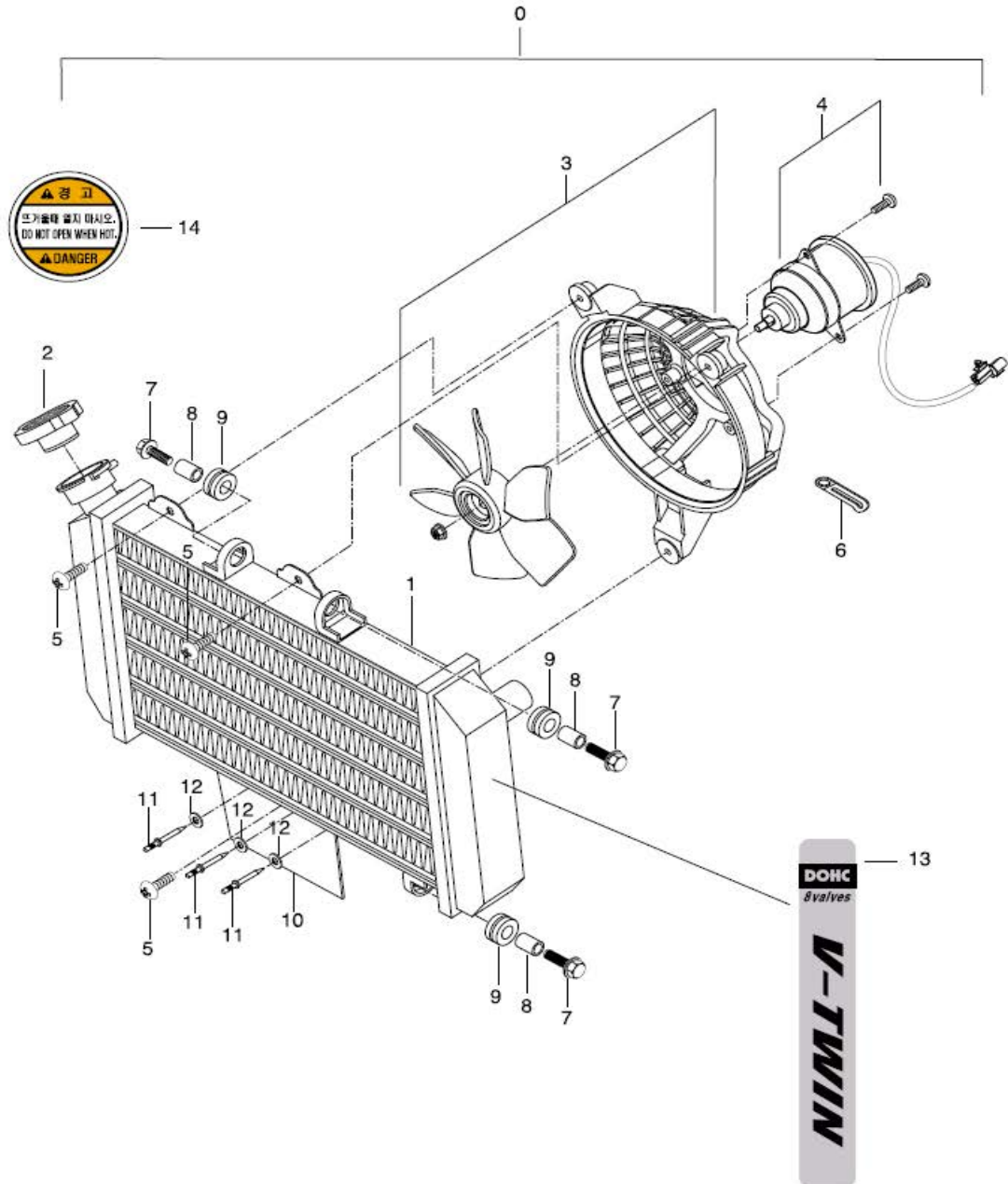




CYLINDER /FRONT, REAR

| Ref # | Part # | Description | Quantity | Remarks |
|-------|----------------|--------------------------|----------|---------|
| 1 | 11210HN9100HPA | CYLINDER COMP, front | 1 | |
| 2 | 11220HN9100HPA | CYLINDER COMP, rear | 1 | |
| 3 | 11241HN9101 | GASKET, cylinder | 2 | |
| 4 | 04213-13189 | PIN, cylinder head knock | 4 | |
| 5 | 08316-16068 | NUT, cylinder (M6) | 4 | |
| 6 | 01421-06258 | BOLT, cylinder stud (M6) | 4 | |

RADIATOR

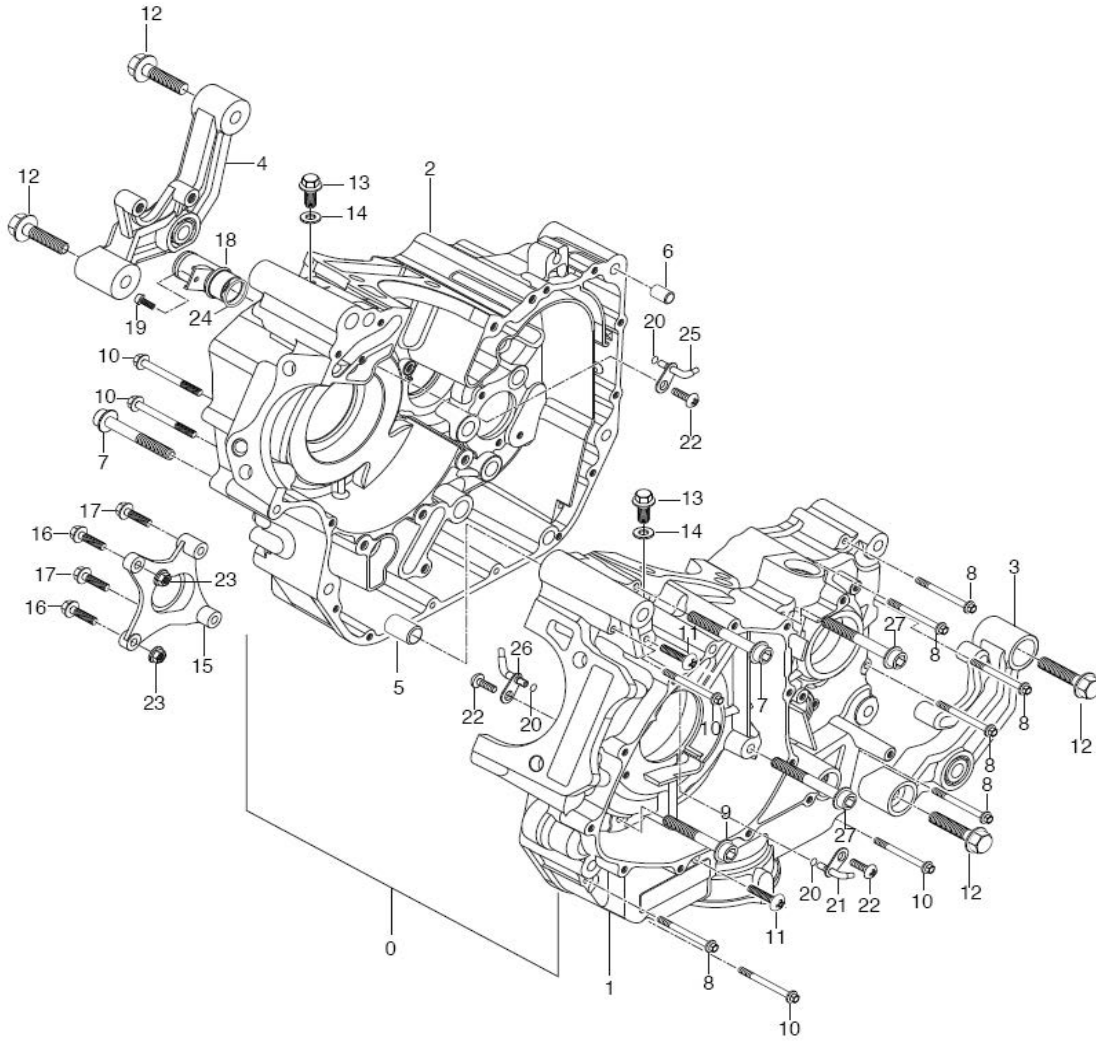




RADIATOR

| Ref # | Part # | Description | Quantity | Remarks |
|-------|----------------|--|----------|---------|
| 1 | 17710HN9102121 | RADIATOR COMP, water(V2S 650S ONLY Black Color) | 1 | |
| 1-1 | 17710HN9102 | RADIATOR COMP, water(V2S 650R ONLY Silver Color) | 1 | |
| 2 | 17720HN9100 | CAP COMP, radiator | 1 | |
| 3 | 17800HN9102 | FAN ASSY, radiator | 1 | |
| 4 | 17810HN9100 | MOTOR ASSY, radiator fan | 1 | |
| 5 | 02142-05165 | BOLT, radiator fan | 3 | |
| 6 | 09404-06429 | CLAMP, radiator fan | 1 | |
| 7 | 09116-06143 | BOLT, radiator | 3 | |
| 8 | 09180-06030 | SPACER, radiator | 3 | |
| 9 | 09320-10015 | CUSHION, radiator | 3 | |
| 10 | 17761HN9100 | MUD GUARD, radiator | 1 | |
| 11 | 09229-03011 | RIVET, mud guard | 3 | |
| 12 | 68928-09F00 | WASHER, mud guard rivet | 3 | |
| 13 | 68150HN9100 | PLATE, radiator | 2 | |
| 14 | 68170HN9100 | LABEL, radiator | 1 | |

CRANKCASE

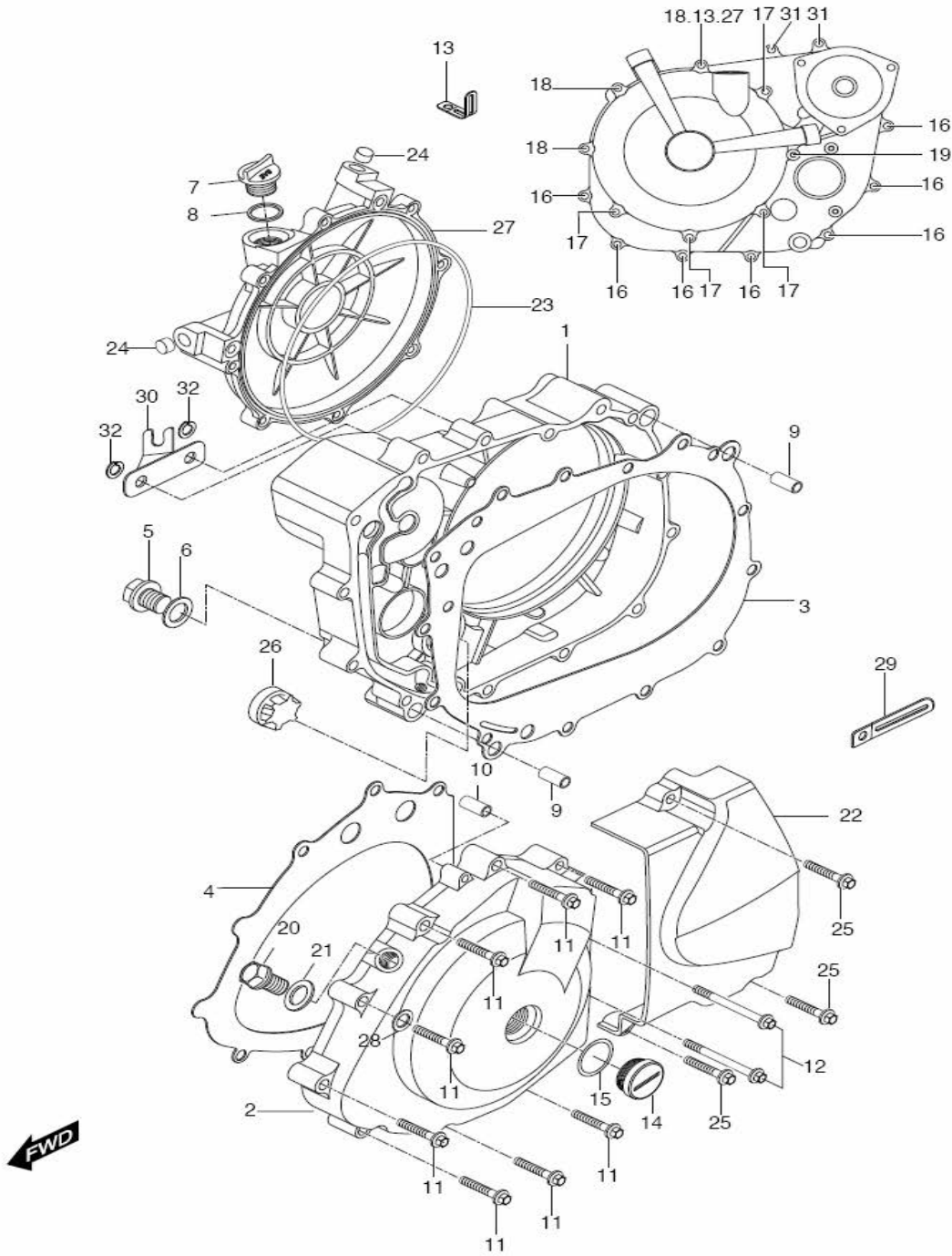




CRANKCASE

| Ref # | Part # | Description | Quantity | Remarks |
|-------|----------------|---------------------------------------|----------|----------------------------|
| 0 | 11300HN9100HPA | CRANKCASE ASSY | 1 | |
| 1 | 11320HN9104PCC | CRANKCASE COMP, L | 1 | |
| 2 | 11310HN9104PCC | CRANKCASE COMP, R | 1 | |
| 3 | 41171HN910103P | LINK, engine mounting L | 1 | |
| 3-1 | | LINK, engine mounting L (Black) | 1 | V2S 650S:KM4MP51B161100909 |
| | | | 1 | V2S 650R:KM4MP51C161101504 |
| 4 | 41161HN910103P | LINK, engine mounting R | 1 | |
| 4-1 | | LINK, engine mounting R (Black) | 1 | V2S 650S:KM4MP51B161100909 |
| | | | 1 | V2S 650R:KM4MP51C161101504 |
| 5 | 09206H18001 | PIN, crankcase knock | 1 | |
| 6 | 04213-13189 | PIN, crankcase knock | 2 | |
| 7 | 07120-08608 | BOLT, crankcase M8 | 2 | |
| 8 | 01547-06608 | BOLT, crankcase M6 | 6 | |
| 9 | 07120-08708 | BOLT, crankcase M8 | 2 | |
| 10 | 01547-06808 | BOLT, crankcase M6 | 6 | |
| 11 | 02112-06958 | SCREW, crankcase | 2 | |
| 12 | 01517-10458 | BOLT, engine mounting link & cyl head | 4 | |
| 13 | 01514-08128 | BOLT, oil gallery | 2 | |
| 14 | 09168-08008 | GASKET, oil gallery bolt | 2 | |
| 15 | 31135HN91000S1 | BRACKET, starter motor | 1 | |
| 16 | 01547-06258 | BOLT, starter motor bracket | 2 | |
| 17 | 01547-06308 | BOLT, starter motor | 2 | |
| 18 | 17481HN9100 | UNION, water pump hose | 1 | |
| 19 | 07110-06108 | BOLT, water hose union | 1 | |
| 20 | 09280H04001 | O-RING, oil jet | 3 | |
| 21 | 11440HN9100 | JET COMP, starter clutch oil | 1 | |
| 22 | 02112-06108 | SCREW, oil jet | 3 | |
| 23 | 08313-11068 | NUT, starter motor bracket | 2 | |
| 24 | 09280H21001 | O-RING, water pump union | 1 | |
| 25 | 11430HN9100 | JET COMP, piston rear oil | 1 | |
| 26 | 11420HN9100 | JET COMP, piston front oil | 1 | |
| 27 | 09103H08001 | BOLT, crankcase M8(L100) | 2 | |

CRANKCASE COVER

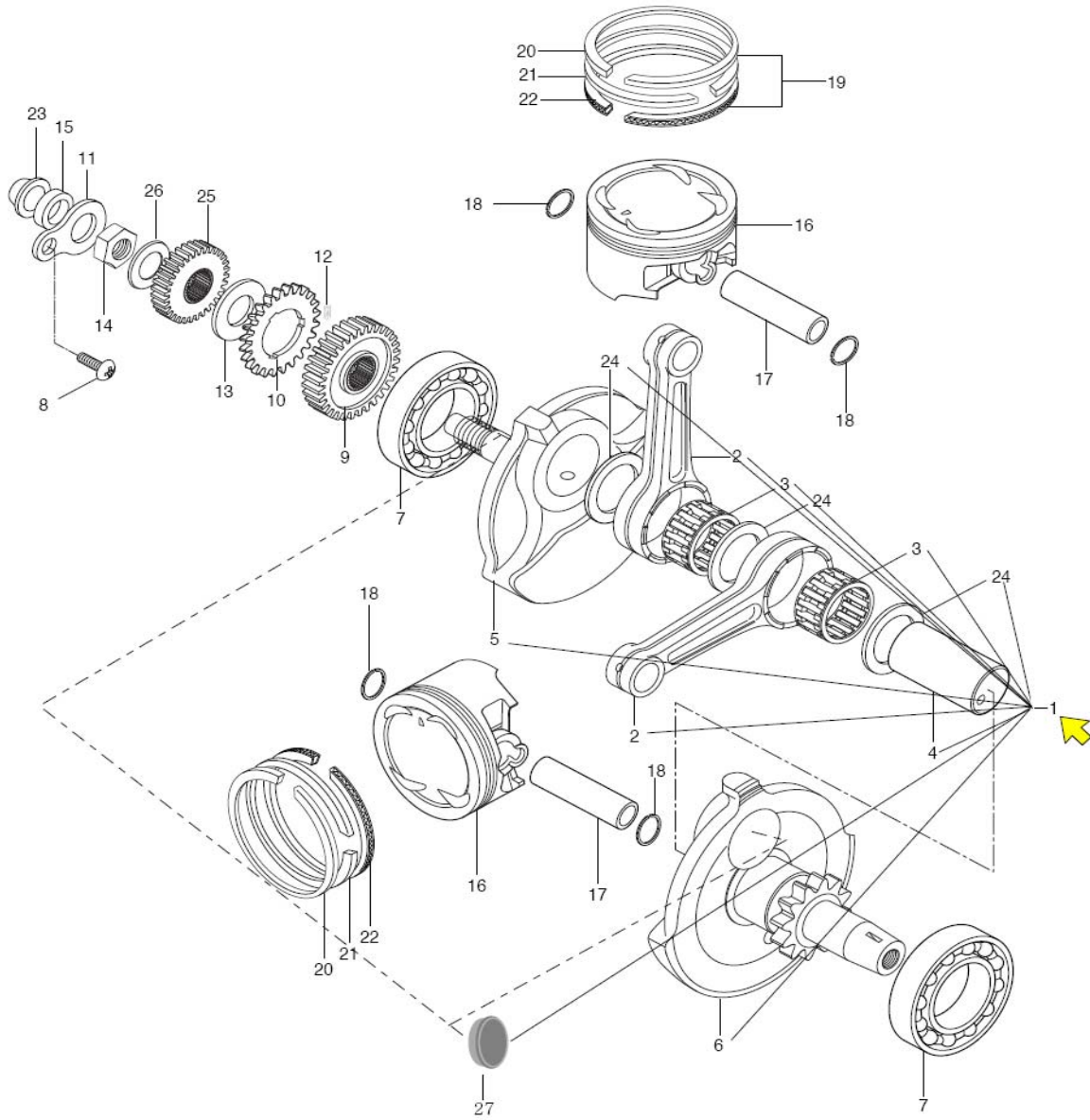




CRANKCASE COVER

| Ref # | Part # | Description | Quantity | Remarks |
|-------|----------------|---|----------|--------------------|
| 1 | 11331SN9101HPA | COVER COMP, clutch (With oil lens & plug) | 1 | |
| 2 | 11351HN91020S1 | COVER , magneto | 1 | |
| 3 | 11481HN9101 | GASKET, clutch cover | 1 | |
| 4 | 11483HN9101 | GASKET, magneto cover | 1 | |
| 5 | 09247-14026 | PLUG, oil check | 1 | |
| 6 | 09168H14003 | GASKET, oil check plug | 1 | |
| 7 | 09259-2000903P | PLUG, engine oil filler | 1 | |
| 8 | 09280-17003 | O-RING, engine oil filler plug | 1 | |
| 9 | 04213-13189 | PIN, clutch cover knock | 2 | |
| 10 | 04213-09129 | PIN, magneto cover knock | 1 | |
| 11 | 01547-06358 | BOLT, magneto cover | 8 | |
| 12 | 01547-06558 | BOLT, magneto cover | 2 | |
| 13 | 09404-06401 | CLAMP, clutch cover | 1 | |
| 14 | 09259-2601503P | PLUG, crankshaft hole | 1 | |
| 15 | 09280-22008 | O-RING, crankshaft hole plug | 1 | |
| 16 | 01547-06358 | BOLT, clutch cover | 9 | |
| 17 | 01547-06258 | BOLT, clutch cover outer | 4 | |
| 18 | 01547-06708 | BOLT, clutch cover outer | 3 | |
| 19 | 01547-06508 | BOLT, clutch cover outer | 1 | |
| 20 | 09247H12102 | PLUG, TDC | 1 | |
| 21 | 09168H12003 | GASKET, TDC plug | 1 | |
| 22 | 11361HN91000S1 | COVER, engine sprocket | 1 | |
| 23 | 11482HN9100 | O-RING, clutch outer cover | 1 | |
| 24 | 09243-11005 | PLUG, oil gallery | 3 | ~KM4MP51A541100124 |
| 25 | 01547-06258 | BOLT, engine sprocket cover | 3 | |
| 26 | 11332HN9100 | LENS, oil level check | 1 | |
| 27 | 11341SR91600S1 | COV CLUTCH, outer | 1 | |
| 28 | 09168H06019 | GASKET, magneto cover bolt | 1 | |
| 29 | 09404-06401 | CLAMP | 1 | |
| 30 | 13353HP9401 | BRACKET, carburetor adjust | 1 | R TYPE ONLY |
| 31 | 01547-06408 | BOLT, magnet cover | 2 | R TYPE ONLY |
| 32 | 08321-31088 | LOCK, washer | 2 | |

CRANKSHAFT



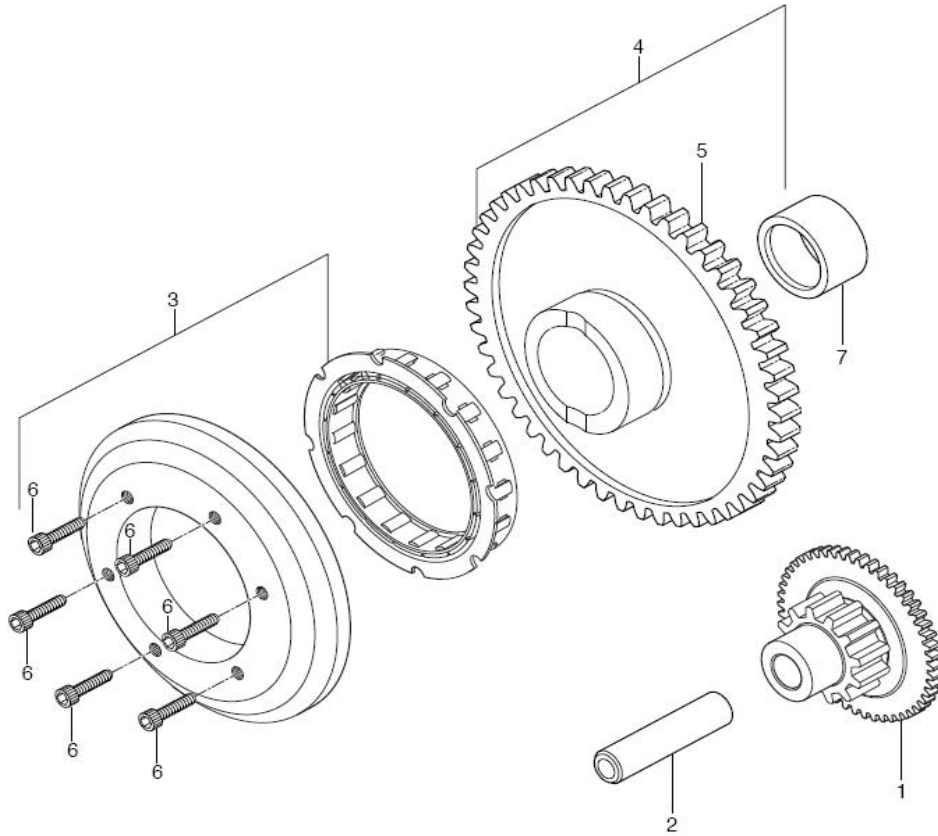
FWD



CRANKSHAFT

| Ref # | Part # | Description | Quantity | Remarks |
|-------|----------------|-------------------------------------|----------|---------------------------------|
| 1 | 12200HN9100HPA | CRANKSHAFT ASSY | 1 | Includes ref # 2,3,4,5,6 and 24 |
| 2 | 12161HN9101 | ROD, connecting | 2 | |
| 3 | 09263H37001 | BEARING, crank pin | 2 | |
| 4 | 12211HN9100 | PIN COMP, crank | 1 | |
| 5 | 12221HN9102CSA | CRANKSHAFT, R | 1 | |
| 6 | 12261HN9102CSA | CRANKSHAFT, L | 1 | |
| 7 | 08113-63070 | BEARING, crankshaft | 2 | |
| 8 | 02112-06126 | SCREW, crankshaft oil seal retainer | 1 | |
| 9 | 21111HN9100 | GEAR, primary drive | 1 | |
| 10 | 21112HN9100 | GEAR, primary drive NO.2 | 1 | |
| 11 | 12281HN9100 | RETAINER, crankshaft oil seal | 1 | |
| 12 | 21114-35C00 | SPRING, primary drive gear | 3 | |
| 13 | 08211-22422 | WASHER, primary drive gear thrust | 1 | |
| 14 | 09140H18001 | NUT, primary drive gear | 1 | |
| 15 | 09282-12001 | SEAL, crankshaft oil RH | 1 | |
| 16 | 12111HN9101 | PISTON | 2 | |
| 17 | 12151HN9101 | PIN, piston | 2 | |
| 18 | 09381H20001 | CIRCLIP, piston pin | 4 | |
| 19 | 12140HN9100 | RING SET, piston | 2 | Not for Sale |
| 20 | 12141HN9100 | RING, piston 1st | 2 | |
| 21 | 12142HN9100 | RING, piston 2nd | 2 | |
| 22 | 12144HN9100 | RING, piston oil | 2 | |
| 23 | 12291HN9100 | JET, crankshaft RH | 1 | |
| 24 | 09160H37001 | WASHER, conn rod thrust | 3 | |
| 25 | 17511HN9103 | GEAR, water pump drive | 1 | |
| 26 | 09164H18001 | WASHER, water pump drive gear lock | 1 | |
| 27 | 12212HN9100 | PLUG, crank pin | 2 | |

STARTER CLUTCH

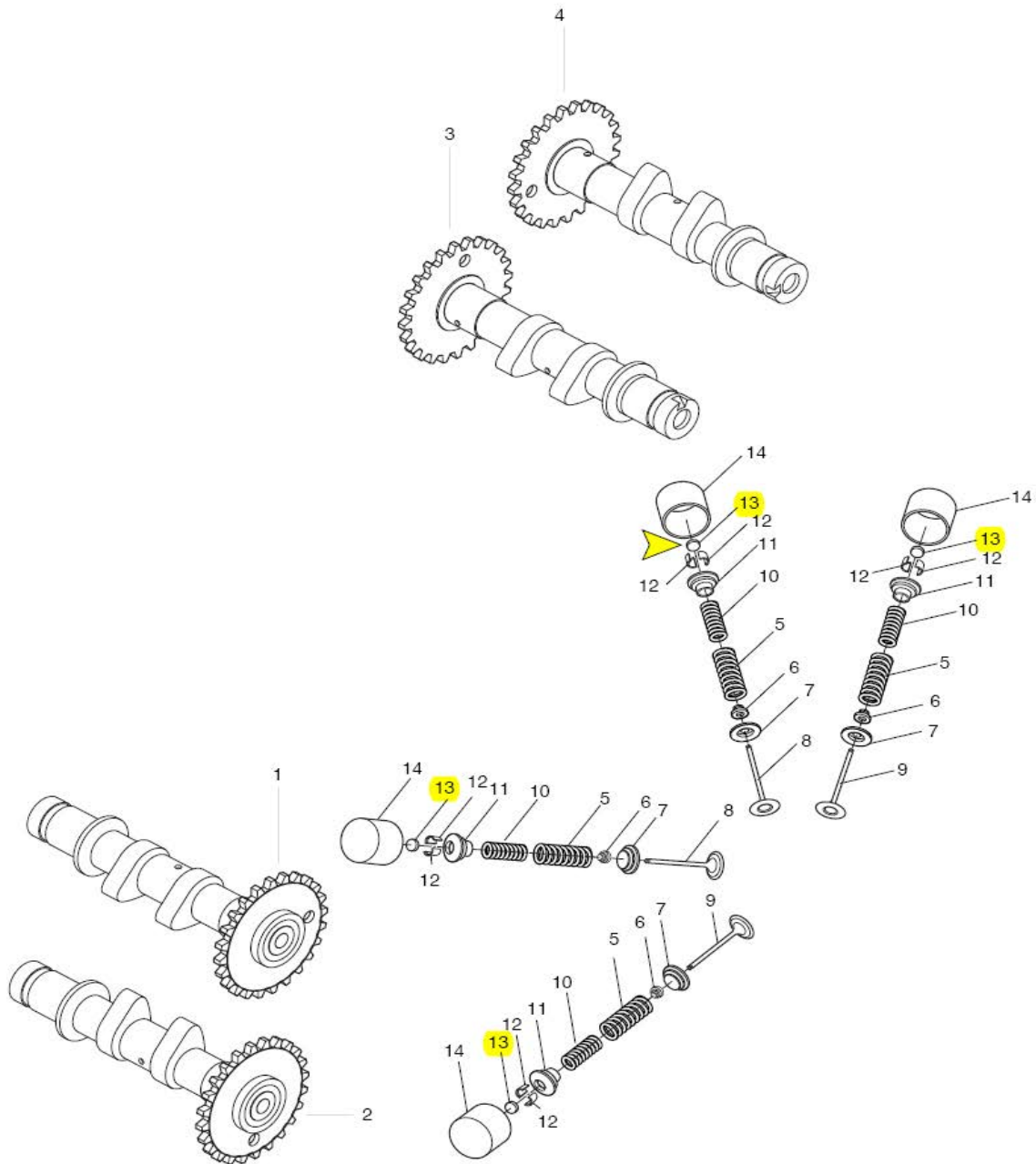




STARTER CLUTCH

| Ref # | Part # | Description | Quantity | Remarks |
|-------|-------------|---------------------------|----------|--------------------|
| 1 | 12611HN9100 | GEAR, starter idle | 1 | |
| 2 | 12612HN9100 | PIN, starter idle gear | 1 | ~KM4MP52C661100152 |
| 2~1 | 09206-13003 | PIN, starter idle gear | 1 | KM4MP52C661100153~ |
| 3 | 12614HN9100 | CLUTCH, starter one way | 1 | |
| 4 | 12620HN9101 | GEAR COMP, starter clutch | 1 | |
| 5 | 12620HN9101 | GEAR, starter clutch | 1 | Not for Sale |
| 6 | 07110-08168 | BOLT, starter clutch | 6 | |
| 7 | 09304H27001 | BUSH, starter clutch gear | 1 | Not for Sale |

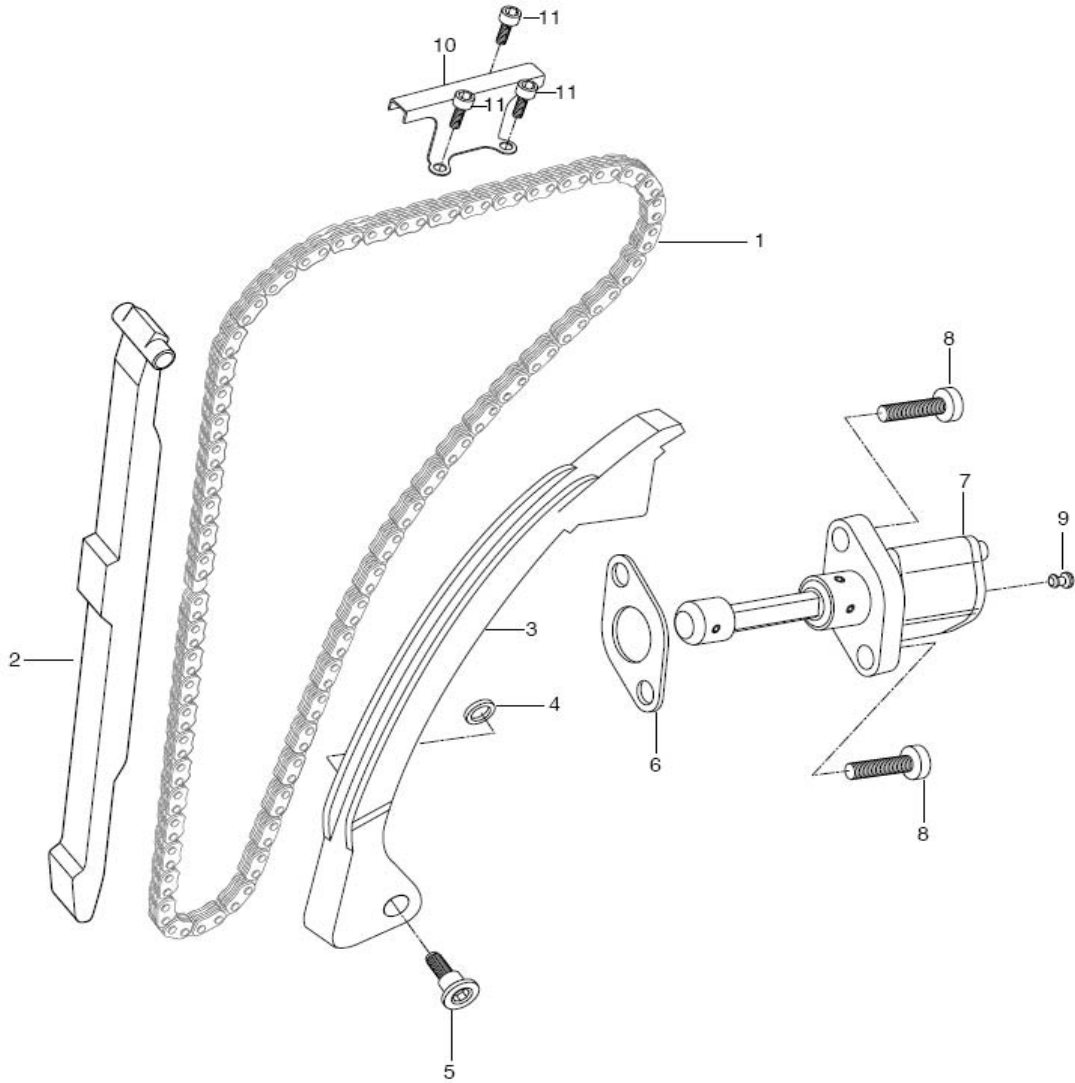
CAMSHAFT / VALVE



**CAMSHAFT / VALVE**

| Ref # | Part # | Description | Quantity | Remarks |
|-------|----------------|------------------------------|----------|---------------|
| 1 | 12710HN9100HPA | CAMSHAFT ASSY, front intake | 1 | |
| 2 | 12730HN9100HPA | CAMSHAFT ASSY, front exhaust | 1 | |
| 3 | 12720HN9100HPA | CAMSHAFT ASSY, rear intake | 1 | |
| 4 | 12740HN9100HPA | CAMSHAFT ASSY, rear exhaust | 1 | |
| 5 | 12922HN9100 | SPRING, valve outer | 8 | |
| 6 | 09289H04002 | SEAL, valve stem oil | 8 | |
| 7 | 12933HN9100 | SEAT, valve spring | 8 | |
| 8 | 12911HN9100 | VALVE, intake | 4 | |
| 9 | 12912HN9100 | VALVE, exhaust | 4 | |
| 10 | 12921HN9101 | SPRING, valve inner | 8 | |
| 11 | 12931HN9100 | RETAINER, valve spring | 8 | |
| 12 | 12932HJ8200 | COTTER, valve | 16 | |
| 13 | 12892-05C00XXX | SHIM, tappet (size 152-230) | 8 | XXX=shim size |
| 14 | 12881HN9100 | TAPPET | 8 | |

CAM CHAIN

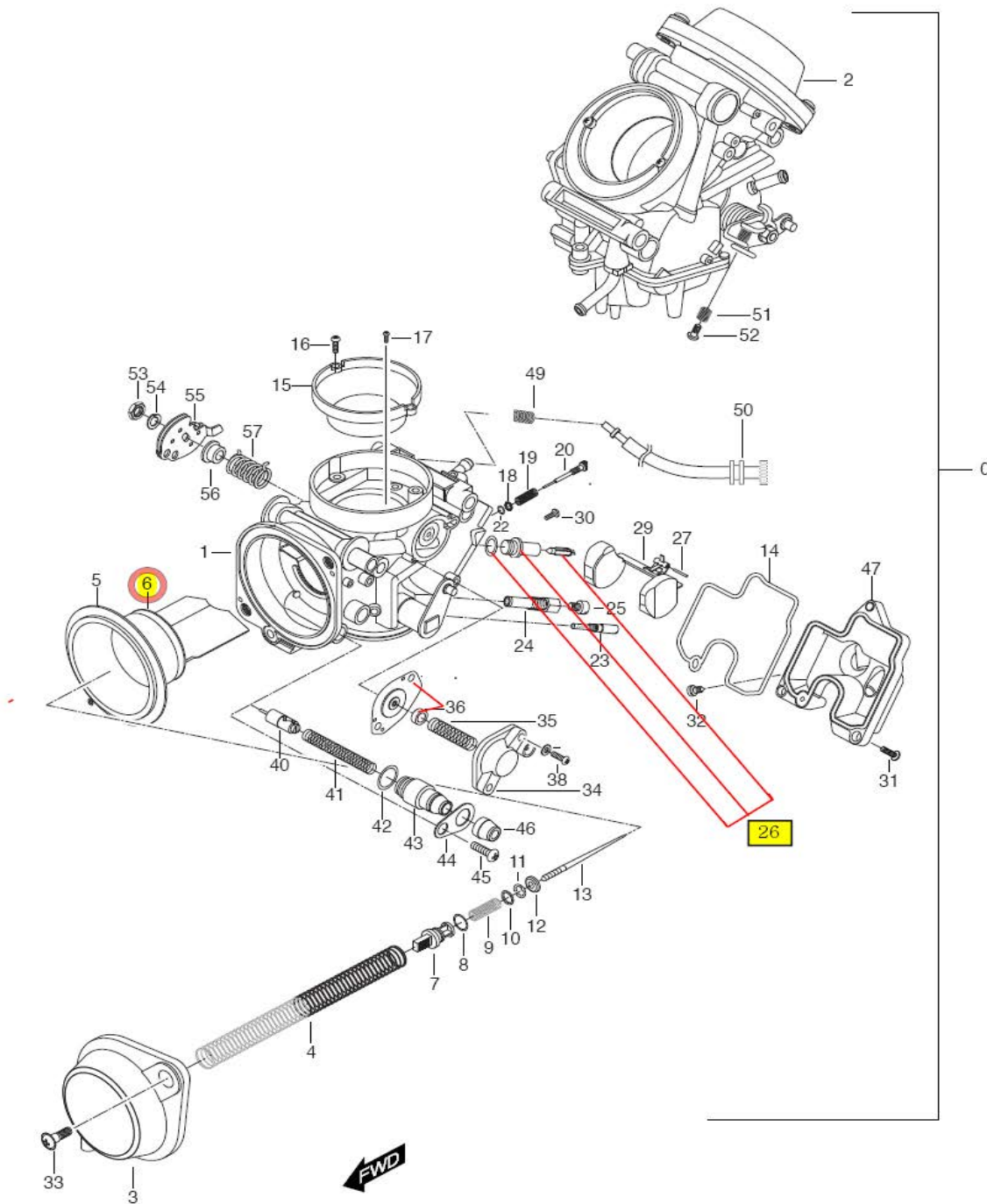




CAM CHAIN

| Ref # | Part # | Description | Quantity | Remarks |
|-------|-------------|-------------------------------------|----------|---------|
| 1 | 12760HN9100 | CHAIN COMP, camshaft drive | 2 | |
| 2 | 12771HN9100 | GUIDE, cam chain NO.1 | 2 | |
| 3 | 12811HN9100 | TENSIONER, cam chain | 2 | |
| 4 | 08211-06181 | WASHER, cam chain tensioner bolt | 2 | |
| 5 | 12812H35C00 | BOLT, cam chain tensioner | 1 | |
| 5-1 | 12812HN9101 | BOLT, cam chain tensioner (magneto) | 1 | |
| 6 | 12837H31321 | GASKET, tensioner adjuster | 2 | |
| 7 | 12830HN9102 | ADJUSTER ASSY, tensioner | 2 | |
| 8 | 07110-06208 | BOLT, tensioner adjuster | 4 | |
| 9 | 12839-38200 | PLUG, adjuster | 2 | |
| 10 | 12782HN9100 | GUIDE, cam chain No.2 | 2 | |
| 11 | 07110-06108 | BOLT, cam chain guide No.2 | 6 | |

CARBURETOR ASSY

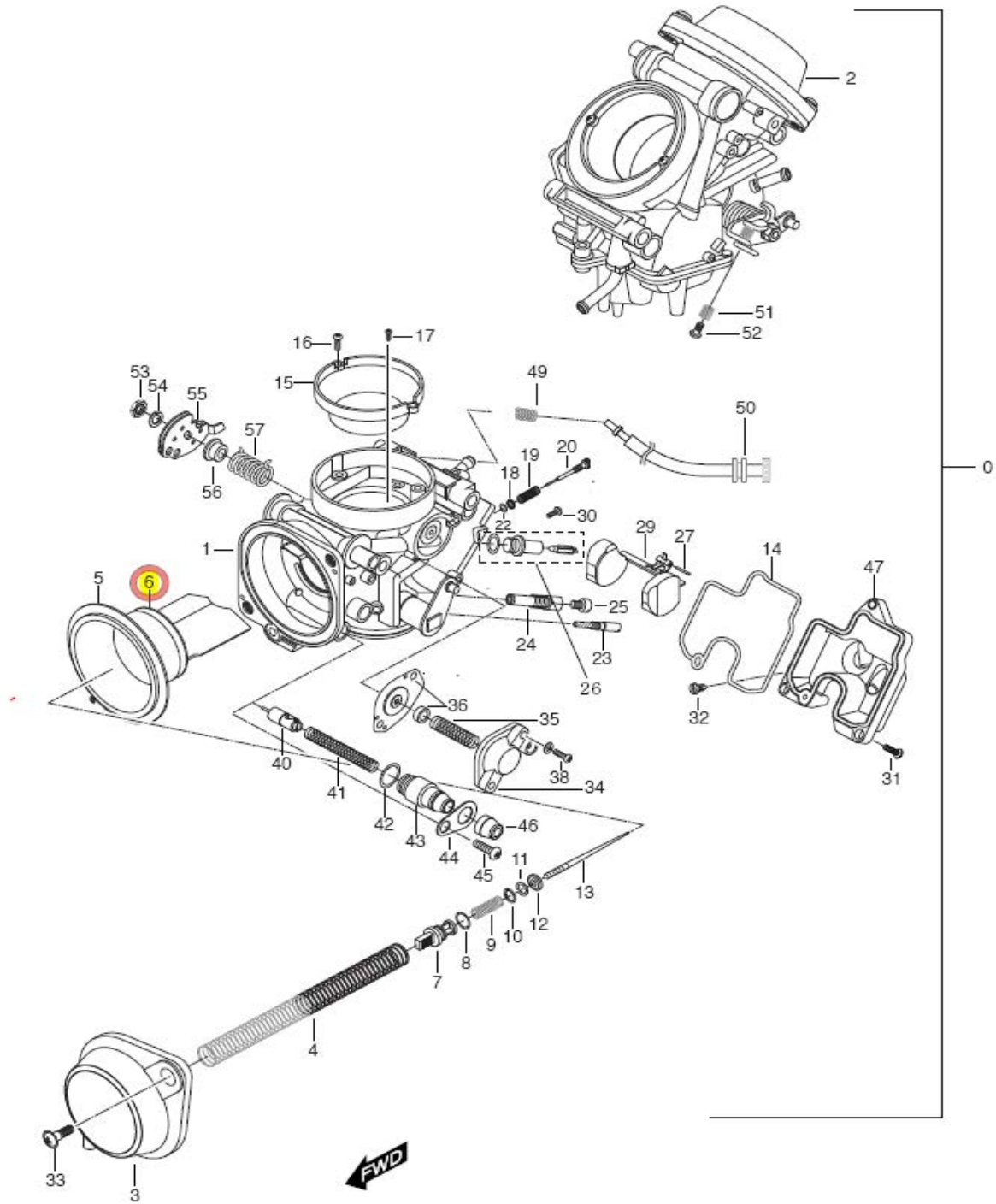




CARBURETOR ASSY

| Ref # | Part # | Description | Quantity | Remarks |
|-------|-------------|------------------------|----------|--------------|
| 0 | 13200HP9400 | CARBURETOR ASSY | 1 | |
| 1 | 13301HN9100 | MIXING BODY ASSY | 1 | |
| 2 | 13302HN9100 | MIXING BODY ASSY | 1 | |
| 3 | 13310HN9100 | DIAPHRAGM COVER | 2 | |
| 4 | 13311HN9100 | COMPRESSION SPRING | 2 | Not for Sale |
| 5 | 13338HN9100 | DIAPHRAGM | 2 | Not for Sale |
| 6 | 13551HN9100 | PISTON VALVE (25KW) | 2 | |
| 7 | 13312HN9100 | HOLDER | 2 | |
| 8 | 13313HN9100 | O-RING | 2 | |
| 9 | 13314HN9100 | COMPRESSION SPRING | 2 | |
| 10 | 13316HN9100 | WASHER | 2 | |
| 11 | 13315HG5100 | E-RING | 2 | |
| 12 | 13305HN9100 | RING | 2 | |
| 13 | 13333HN9100 | JET NEEDLE (JN) | 2 | |
| 14 | 13323HN9100 | O-RING | 2 | |
| 15 | 13339HN9100 | VENTURI | 2 | |
| 16 | 13320HN9100 | SCREW | 4 | |
| 17 | 13364HN9100 | PILOT JET | 2 | |
| 18 | 13309HG5100 | WASHER | 2 | |
| 19 | 13307HN9100 | COMPRESSION SPRING | 2 | |
| 20 | 13308HN9100 | ADJUSTER (PS) | 2 | |
| 22 | 13306HG5100 | O-RING | 2 | |
| 23 | 13365HN9100 | PILOT JET (PJ) | 2 | |
| 24 | 13327HN9100 | JET HOLDER | 2 | |
| 25 | 13324HN9100 | MAIN JET (MJ) | 2 | |
| 26 | 13375HN9100 | NEEDLE VALVE ASSY (VS) | 2 | |
| 27 | 13378HN9100 | PIN | 2 | |
| 29 | 13379HN9100 | FLOAT ASSY | 2 | |

CARBURETOR ASSY

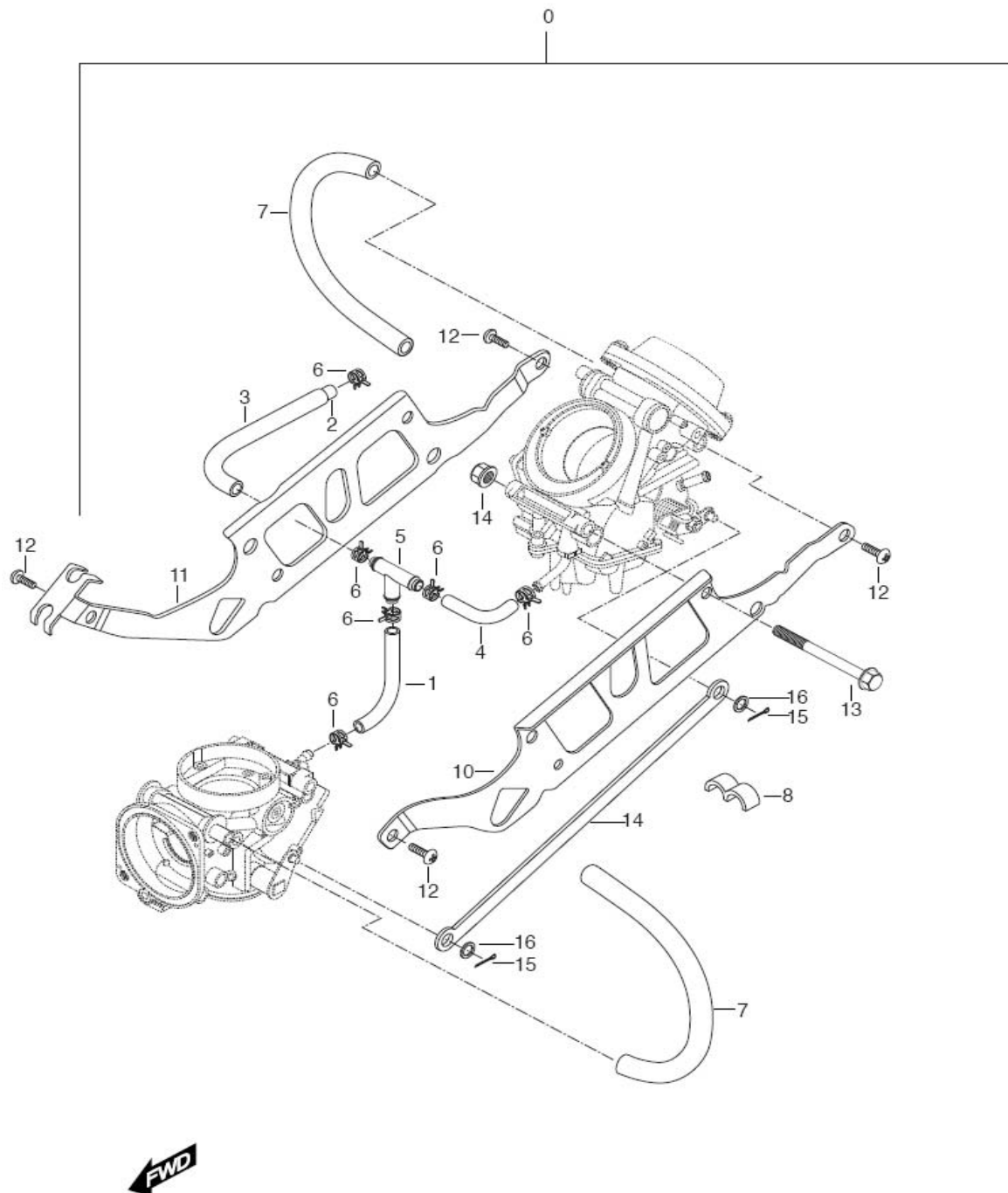




CARBURETOR ASSY

| Ref # | Part # | Description | Quantity | Remarks |
|-------|-------------|-----------------------------|----------|---------|
| 30 | 13377HG5100 | SCREW | 2 | |
| 31 | 13354HG5100 | SCREW | 6 | |
| 32 | 13376HN9100 | SCREW (REST) | 2 | |
| 33 | 13326HN9100 | SCREW (REST) | 4 | |
| 34 | 13332HN9100 | COVER ASSY | 2 | |
| 35 | 13334HN9100 | COMPRESSION SPRING | 2 | |
| 36 | 13335HN9100 | DIAPHRAGM ASSY | 2 | |
| 38 | 13336HN9100 | SCREW | 4 | |
| 40 | 13369HN9100 | PLUNGER ASSY | 2 | |
| 41 | 13368HN9100 | COMPRESSION SPRING | 2 | |
| 42 | 13370HN9100 | O-RING | 2 | |
| 43 | 13367HN9100 | GUIDE HOLDER | 2 | |
| 44 | 13337HN9100 | PLATE | 2 | |
| 45 | 13374HN9100 | SCREW | 2 | |
| 46 | 13366HN9100 | CAP | 2 | |
| 47 | 13352HN9100 | FLOAT BODY | 2 | |
| 49 | 13386HN9100 | COMPRESSION SPRING | 2 | |
| 50 | 13351HP9400 | ADJUSTER (V2S 650R) | 2 | |
| | 13351HN9100 | ADJUSTER (V2S 650/V2S 650R) | 2 | |
| 51 | 13356HN9100 | COMPRESSION SPRING | 2 | |
| 52 | 13373HG5100 | SCREW | 2 | |
| 53 | 13342HG5100 | NUT | 2 | |
| 54 | 13343HG5100 | SPRING WASHER | 2 | |
| 55 | 13340HN9100 | THROTTLE LEVER ASSY | 2 | |
| 56 | 13319HN9100 | RING | 2 | |
| 57 | 13344HN9100 | TORSION SPRING | 2 | |

CARBURETOR FITTINGS

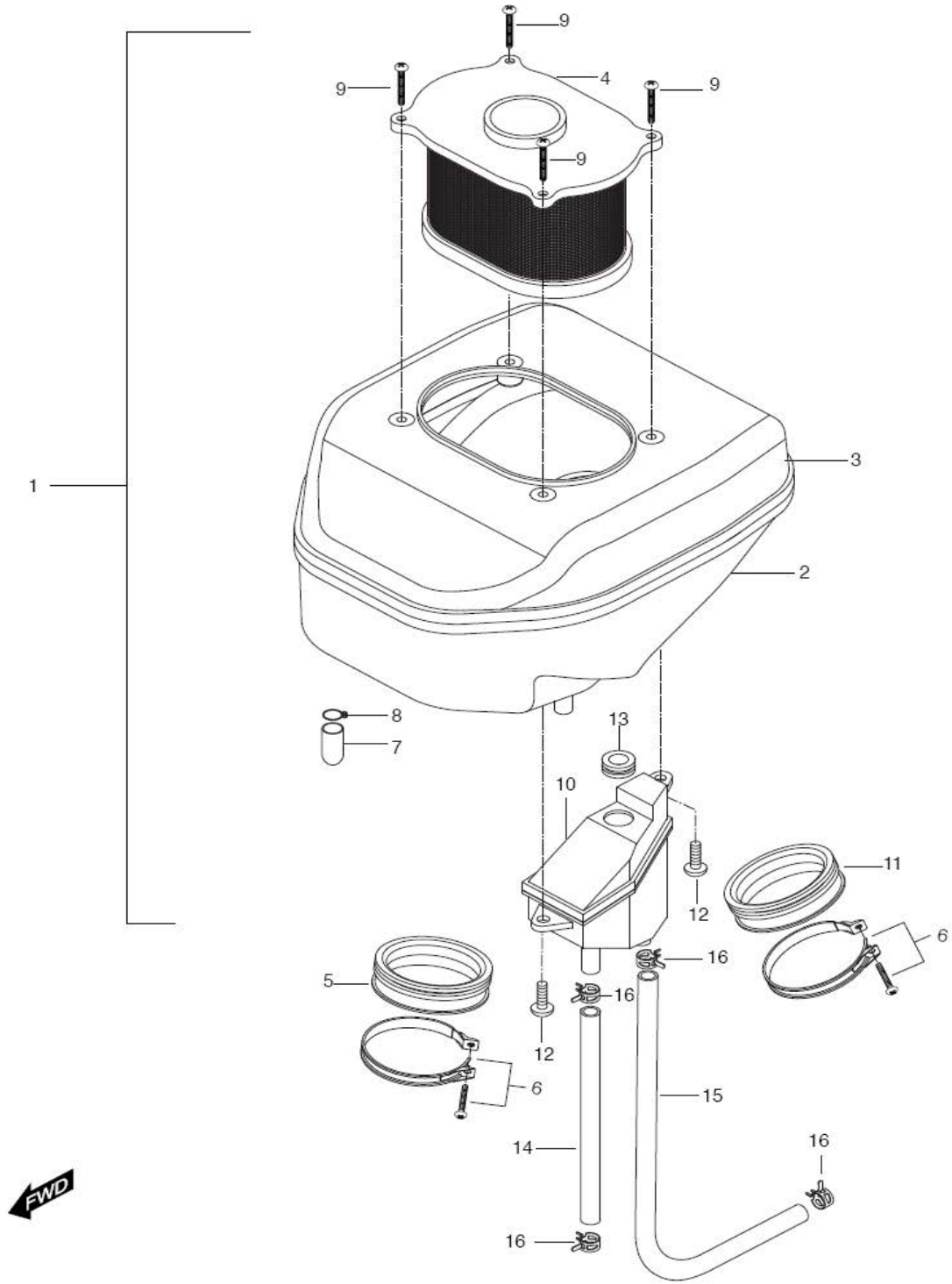




CARBURETOR FITTINGS

| Ref # | Part # | Description | Quantity | Remarks |
|-------|-------------|-------------|----------|---------|
| 0 | | | | |
| 1 | 13325HN9100 | HOSE | 1 | |
| 3 | 44199HM7900 | HOSE FUEL | 1 | |
| 4 | 13330HN9100 | HOSE | 1 | |
| 5 | 13360HG5100 | NIPPLE | 1 | |
| 6 | 13383HN9100 | CLIP | 4 | |
| 7 | 13329HN9100 | HOSE | 2 | |
| 8 | 13385HN9100 | CLIP | 1 | |
| 10 | 13328HN9100 | PLATE | 1 | |
| 11 | 13341HN9100 | PLATE | 1 | |
| 12 | 13384HN9100 | SCREW | 4 | |
| 13 | 13353HN9100 | BOLT | 2 | |
| 14 | 13348HN9100 | LEVER ASSY | 1 | |
| 15 | 13347HN9100 | PIN | 2 | |
| 16 | 13318HN9100 | WASHER | 2 | |

AIR CLEANER & CHAMBER

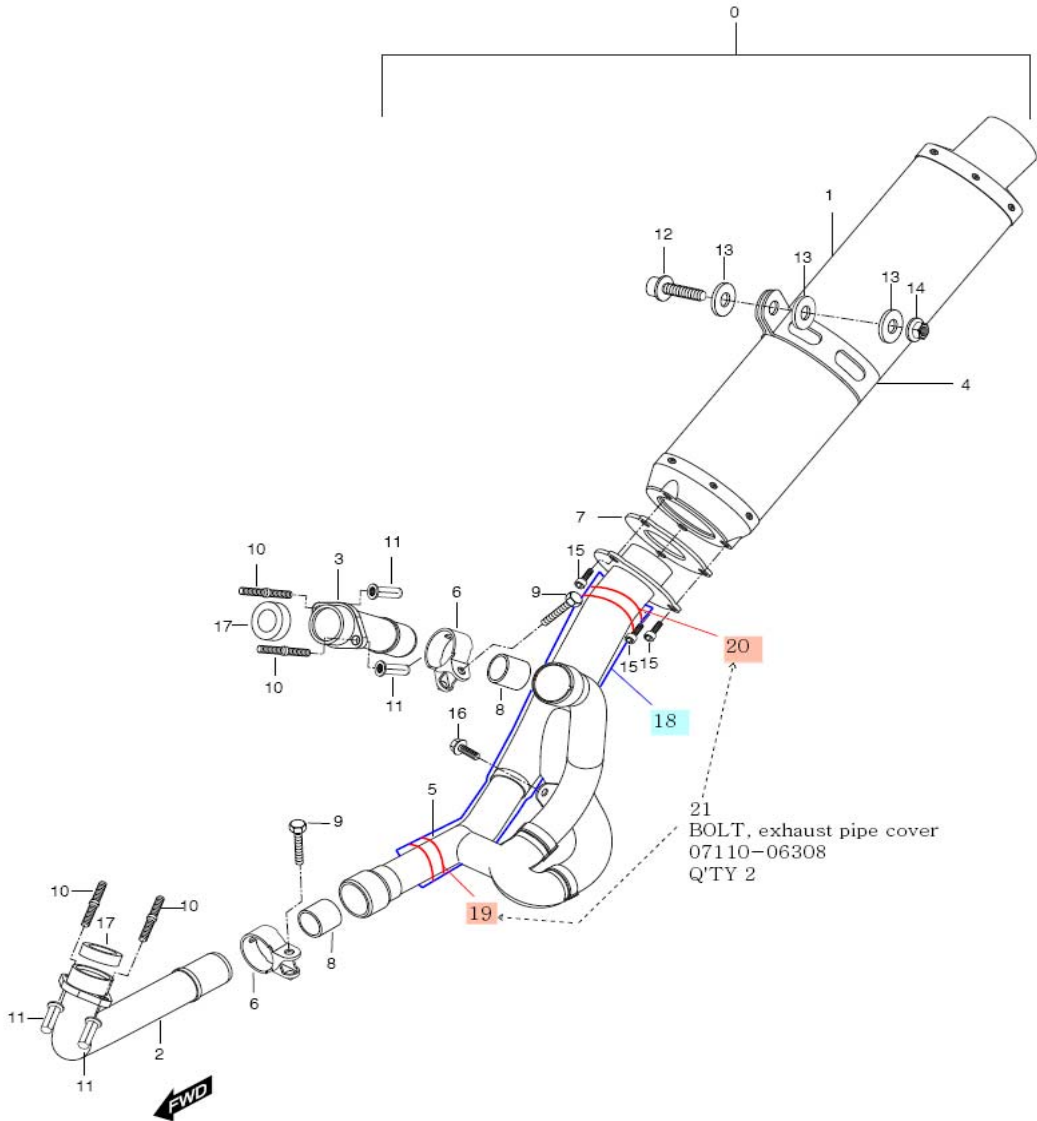




AIR CLEANER & CHAMBER

| Ref # | Part # | Description | Quantity | Remarks |
|-------|-------------|---------------------------------|----------|--------------|
| 1 | 13700HN9160 | CLEANER ASS'Y, air | 1 | |
| 2 | 13720HN9102 | CASE, air cleaner | 1 | Not for Sale |
| 3 | 13740HN9101 | CAP COMP, air cleaner | 1 | Not for Sale |
| 4 | 13780HM8100 | FILTER COMP, air cleaner | 1 | |
| 5 | 13871HN9100 | TUBE, outlet front | 1 | |
| 6 | 09402-56208 | CLAMP, outlet tube | 2 | |
| 7 | 13895HF4500 | PLUG, oil drain | 1 | |
| 8 | 09401-14301 | CLIP, oil drain plug | 1 | |
| 9 | 02142-05165 | SCREW, air cleaner filter | 4 | |
| 10 | 16810HN9101 | TANK ASS'Y, breather oil return | 1 | |
| 11 | 13881HN9100 | TUBE, outlet | 1 | |
| 12 | 03241-05165 | SCREW | 2 | |
| 13 | 09320-12029 | CUSHION, oil return tank | 1 | |
| 14 | 16821HN9101 | HOSE, breather oil return No.1 | 1 | |
| 15 | 16831HN9100 | HOSE, breather oil return No.2 | 1 | |
| 16 | 09401H14401 | CLAMP, breather oil return | 4 | |

MUFFLER

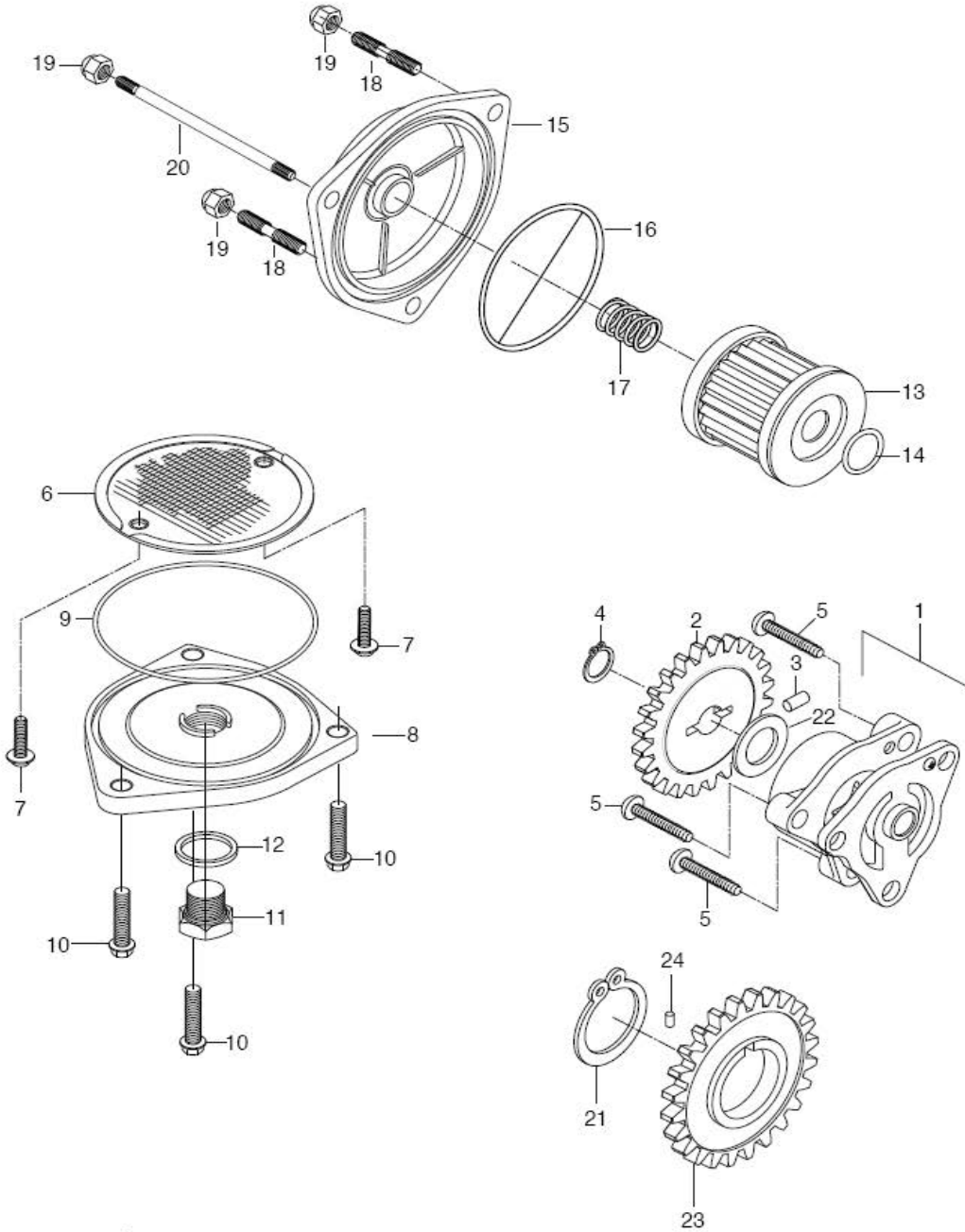




MUFFLER

| Ref # | Part # | Description | Quantity | Remarks |
|-------|----------------|-----------------------------------|----------|--------------------------|
| 0 | 14305HN9130PLH | MUFFLER, ASS'Y | 1 | |
| 0~1 | 14305HN9133PLH | MUFFLER, ASS'Y | 1 | KM4MP52CX61100253~ |
| 1 | 14310HN9131 | BODY COMP, muffler | 1 | |
| 1~1 | 14310HN9133 | BODY COMP, muffler | 1 | KM4MP52CX61100253~ |
| 2 | 14160HN91020BF | PIPE COMP, exhaust front | 1 | |
| 3 | 14150HN91020BF | PIPE COMP, exhaust rear | 1 | |
| 4 | 14411HN91040BF | BRACKET, muffler support | | |
| 5 | 14170HN91030BF | PIPE COMP, muffler joint | 1 | |
| 6 | 14770HN91010BF | CONNECTOR COMP, exhaust pipe | 2 | |
| 7 | 14314HN9101 | GASKET, connector flange | 1 | |
| 8 | 14773HN9100 | GASKET, connector exhaust pipe | 2 | |
| 9 | 01517-08358 | BOLT, exhaust pipe connector comp | 2 | |
| 10 | 01421-08258 | BOLT, exhaust pipe stud | 4 | |
| 11 | 09143H08001 | NUT, exhaust pipe | 4 | |
| 12 | 01517-10458 | BOLT, muffler support | 1 | |
| 13 | 09160-10102 | WASHER, muffler support | 3 | |
| 14 | 08316-26108 | NUT, muffler support | 1 | |
| 15 | 07120-08208 | BOLT, connector flange | 3 | after 11/6 - 07120-08207 |
| 16 | 01517-08168 | BOLT, muffler chamber bracket | 1 | |
| 17 | 14181HN9101 | GASKET, exhaust | 2 | |
| 18 | 14186HN91000BF | COV ASSY, exhaust pipe | 1 | |
| 19 | 14776HN9100 | CLAMP, out muff no1 | 1 | |
| 20 | 14778HN9100 | CLAMP, out muff no2 | 1 | |
| 21 | 07110-06308 | BOLT, exhaust pipe cov | 2 | |

OIL PUMP

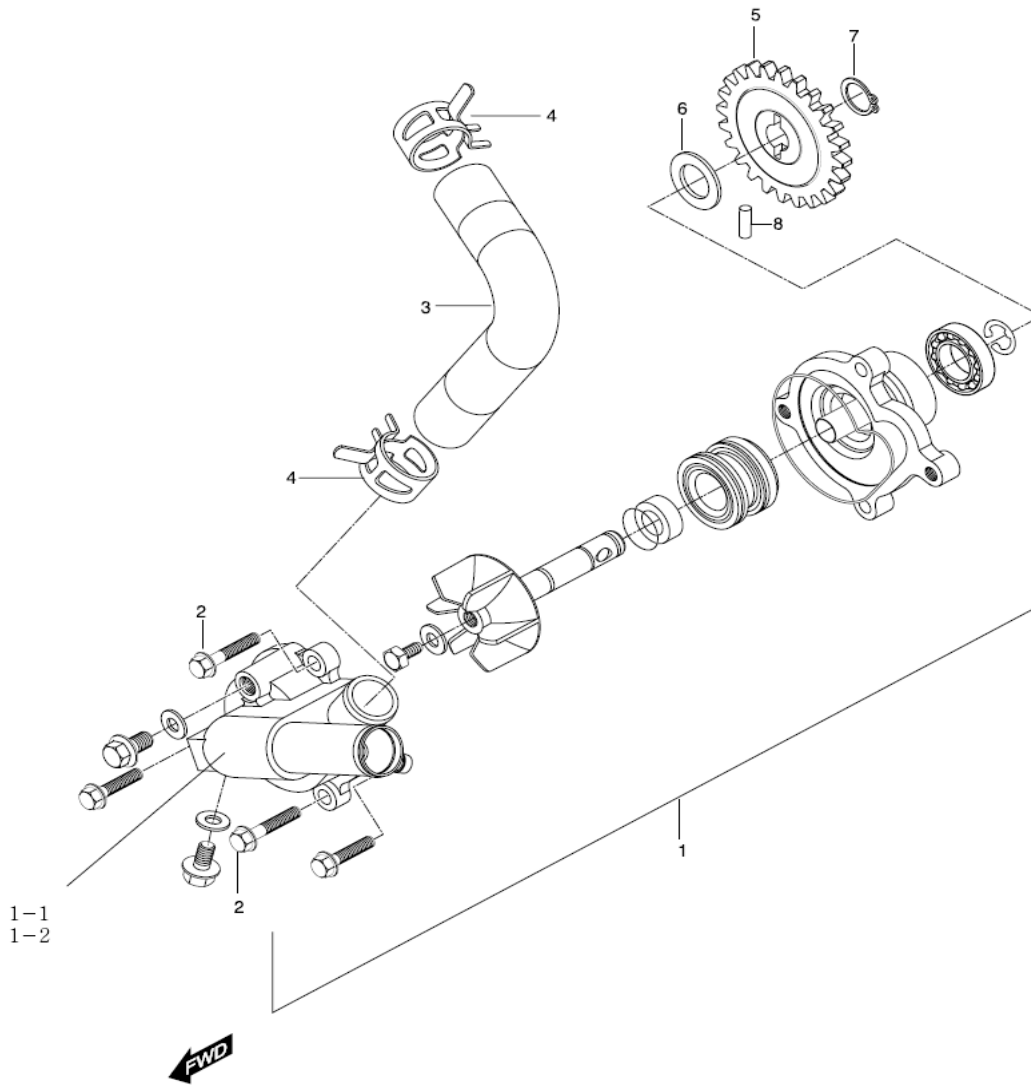




OIL PUMP

| Ref # | Part # | Description | Quantity | Remarks |
|-------|----------------|-------------------------------|----------|--------------------|
| 1 | 16400HN9101 | PUMP ASS'Y, oil | 1 | |
| 2 | 16331HN9101 | GEAR, oil pump driven | 1 | |
| 3 | 09261H04001 | PIN, oil pump driven gear | 1 | |
| 4 | 08331-31109 | CIRCLIP, oil pump driven gear | 1 | |
| 5 | 02112-06258 | SCREW, oil pump | 3 | |
| 6 | 16520HN9100 | STRAINER COMP, engine oil | 1 | |
| 7 | 02112-95126 | SCREW, engine oil strainer | 2 | |
| 8 | 16523HN9100 | CAP, oil strainer | 1 | |
| 9 | 09280H82001 | O-RING, oil strainer cap | 1 | |
| 10 | 01547-06208 | BOLT, oil strainer cap | 3 | |
| 11 | 09247-14002 | PLUG, oil drain | 1 | ~KM4MP51C561101486 |
| 11~1 | 09247-14019 | PLUG, oil drain | 1 | KM4MP51C561101487~ |
| 12 | 09168H14003 | GASKET, drain plug | 1 | |
| 13 | 16510HN9101HAS | FILTER COMP, engine oil | 1 | Includes O-Rings |
| 14 | 09280H16001 | O-RING, oil filter | 1 | |
| 15 | 16512HN91010S1 | CAP, oil filter | 1 | |
| 16 | 09280H69001 | O-RING, oil filter cap | 1 | |
| 17 | 09440H18001 | SPRING, oil filter cap | 1 | |
| 18 | 01421-06128 | BOLT, oil filter cap stud | 2 | |
| 19 | 08313-11068 | NUT, oil filter cap | 3 | |
| 20 | 01421-06758 | BOLT, oil filter cap stud | 1 | |
| 21 | 08331-31389 | CIRCLIP, oil pump drive gear | 1 | |
| 22 | 08221-10185 | SHIM, oil pump driven gear | 1 | |
| 23 | 16321HN9103 | GEAR, oil pump drive | 1 | |
| 24 | 09261H06001 | PIN, oil pump drive gear | 1 | |

WATER PUMP

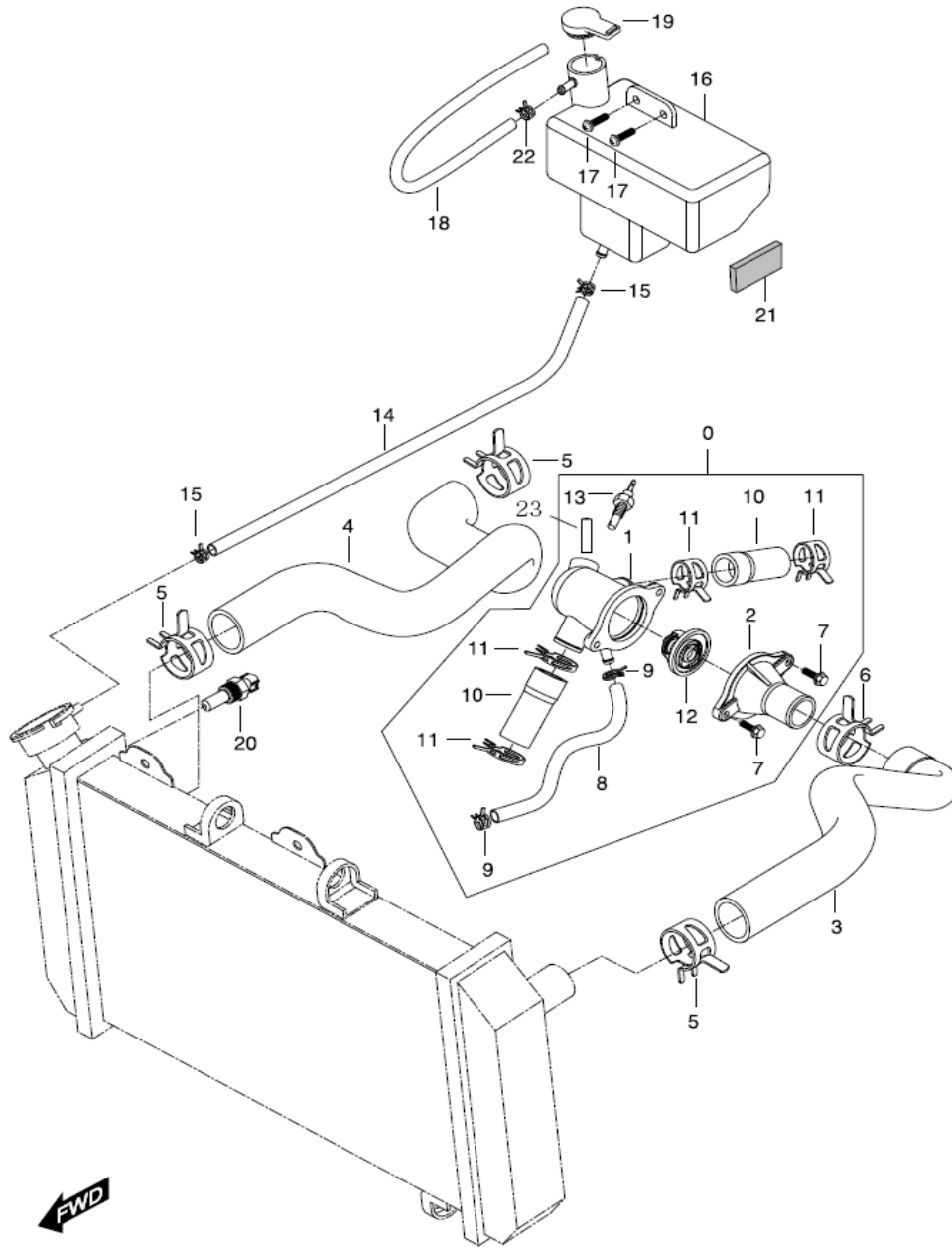




WATER PUMP

| Ref # | Part # | Description | Quantity | Remarks |
|-------|-------------|---------------------------------|----------|---------|
| 1 | 17400HN9101 | PUMP ASS'Y, water | 1 | |
| 1-1 | 17410HN9100 | CASE COMP, WATER PUMP | | |
| 1-2 | 17433HN9100 | O-RING, WATER PUMP | | |
| 2 | 01547-06308 | BOLT, water pump | 2 | |
| 3 | 17491HN9100 | HOSE, water pump outlet | 1 | |
| 4 | 09401H26402 | CLAMP, water pump hose | 2 | |
| 5 | 17521HN9102 | GEAR, water pump driven | 1 | |
| 6 | 08221-10185 | SHIM, water pump driven gear | 1 | |
| 7 | 08331-31109 | CIRCLIP, water pump driven gear | 1 | |
| 8 | 09261H04001 | PIN, water pump driven gear | 1 | |

RADIATOR HOSE

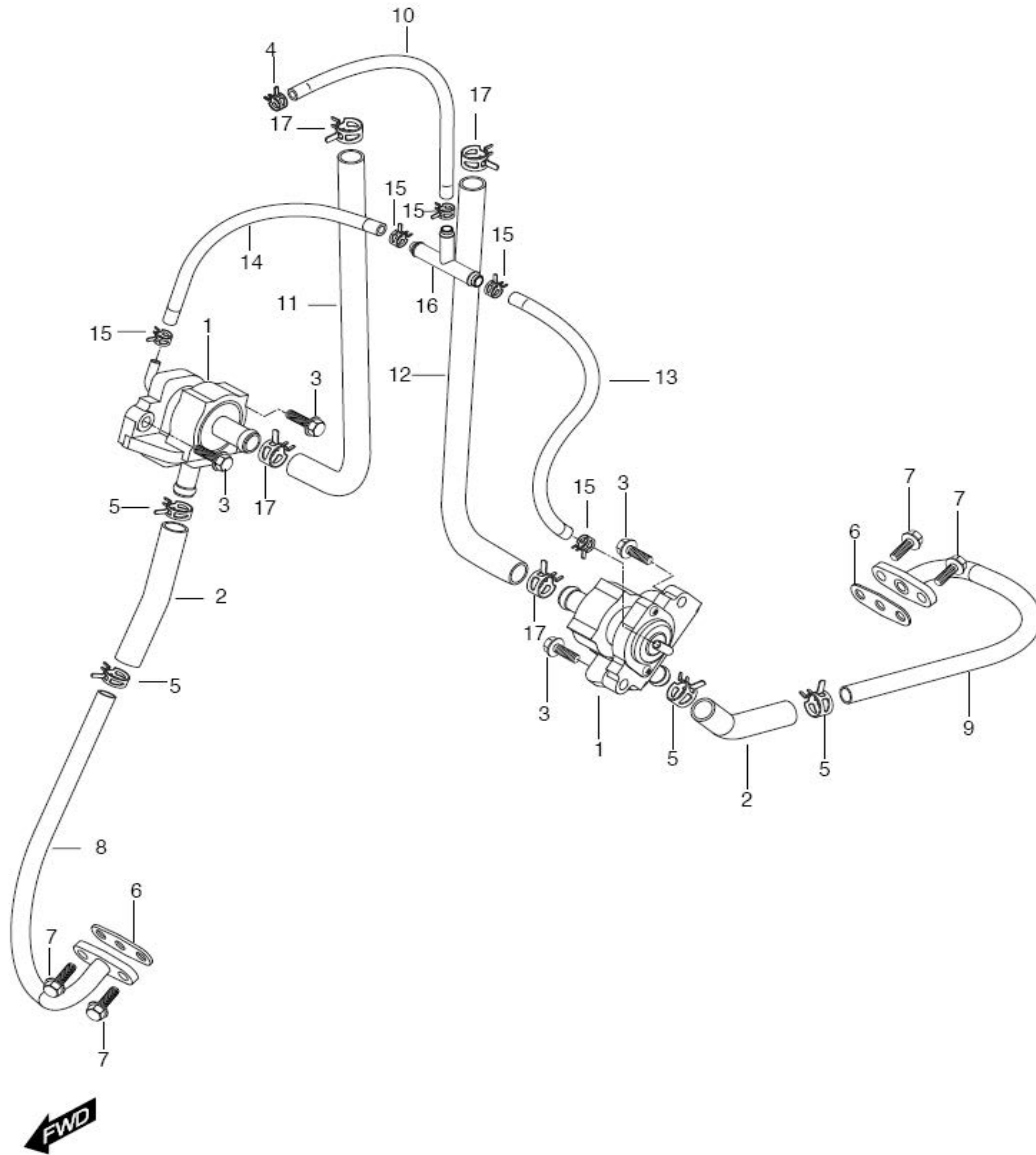




RADIATOR HOSE

| Ref # | Part # | Description | Quantity | Remarks |
|-------|----------------|--|----------|---------------------|
| 0 | 17610HN9100HPA | THERMOSTAT COMP | 1 | |
| 1 | 17621HN91020S1 | CONNECTOR COMP, thermostat inlet | 1 | |
| 1-A | 17621HN91030S1 | CONNECTOR COMP, thermostat inlet | 1 | E/G No:GT650-108818 |
| 2 | 17631HN91000S1 | CAP, thermostat connector | 1 | |
| 3 | 17741HN9101 | HOSE, radiator inlet | 1 | |
| 4 | 17751HN9101 | HOSE, radiator outlet | 1 | |
| 5 | 09401H26402 | CLAMP, radiator inlet hose radiator side | 3 | |
| 6 | 09401H31402 | CLAMP, radiator inlet hose thermostat side | 1 | |
| 7 | 01547-06208 | BOLT, thermostat connector | 2 | |
| 8 | 17641HN9100 | HOSE, thermostat bypass | 1 | |
| 9 | 09401H13401 | CLAMP, thermostat bypass hose | 2 | |
| 10 | 17661HN9100 | HOSE, connector inlet | 2 | |
| 11 | 09401H24402 | CLAMP, connector inlet hose | 4 | |
| 12 | 17610HN9100 | THERMOSTAT COMP | 1 | |
| 13 | 17650HN9100 | GAUGE UNIT, water temperature | 1 | |
| 14 | 17981HN9100 | HOSE, reserve tank inlet | 1 | |
| 15 | 09401H11403 | CLAMP, reserve tank | 2 | |
| 16 | 17911HN9104 | TANK COMP, reserve | 1 | |
| 17 | 09136-06017 | SCREW, reserve tank | 2 | |
| 18 | 17982HN9100 | HOSE, reserve tank overflow | 1 | |
| 19 | 17921HN9100 | CAP, reserve tank | 1 | |
| 20 | 17860HN9100 | SWITCH ASS'Y, thermo | 1 | |
| 21 | 17912HN9100 | CUSHION, reserve tank | 1 | |
| 22 | 09401-09101 | CAP, reserve tank overflow | 1 | |
| 23 | 17622HN9101 | UNION, thermostat connector | 1 | |
| 23-A | 17622HN9102 | UNION, thermostat connector | 1 | E/G No:GT650-108818 |

2ND AIR

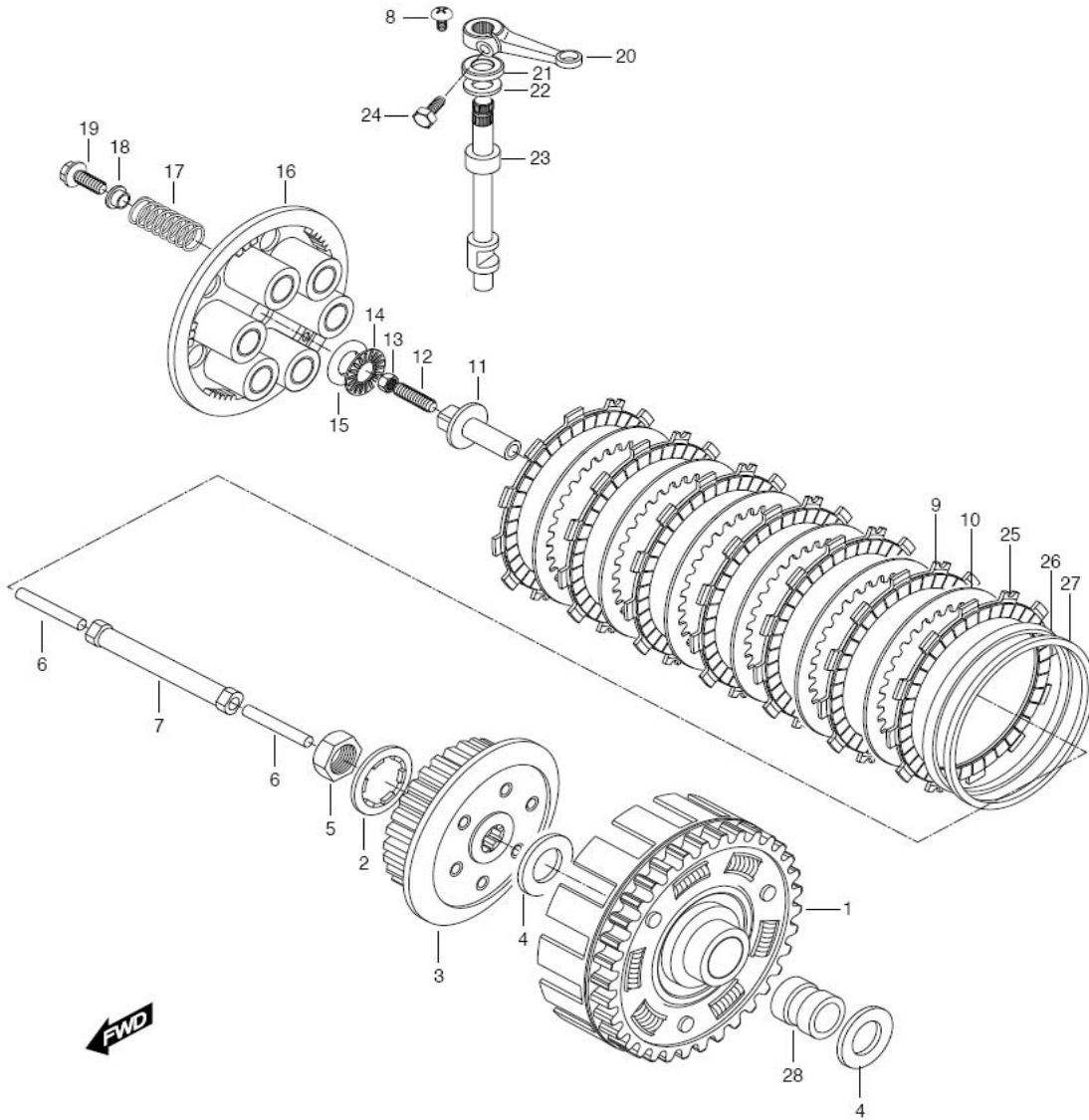




2ND AIR

| Ref # | Part # | Description | Quantity | Remarks |
|-------|-------------|-------------------------------|----------|---------|
| 1 | 18500HN9100 | VALVE ASS'Y, 2ND air | 2 | |
| 2 | 18631HN9101 | HOSE, 2ND air pipe | 2 | |
| 3 | 01547-06208 | BOLT, 2ND air valve | 4 | |
| 4 | 09401H09401 | CLAMP, carburetor vacuum hose | 1 | |
| 5 | 09401H13401 | CLAMP, 2ND air pipe | 4 | |
| 6 | 18615HN9101 | GASKET, 2ND air pipe | 2 | |
| 7 | 01107-06168 | BOLT, 2ND air pipe | 4 | |
| 8 | 18610HN9101 | PIPE COMP, 2ND air front | 1 | |
| 9 | 18620HN9101 | PIPE COMP, 2ND air rear | 1 | |
| 10 | 18691HN9100 | HOSE, carburetor vacuum front | 1 | |
| 11 | 18651HN9101 | HOSE, 2ND air cleaner RH | 1 | |
| 12 | 18661HN9100 | HOSE, 2ND air cleaner LH | 1 | |
| 13 | 18681HN9100 | HOSE, 2ND vacuum LH | 1 | |
| 14 | 18671HN9100 | HOSE, 2ND vacuum RH | 1 | |
| 15 | 09401H08401 | CLAMP, 2ND vacuum hose | 5 | |
| 16 | 09367H05001 | NIPPLE, fuel pump joint | 1 | |
| 17 | 09401H14401 | CLAMP, 2ND air cleaner hose | 4 | |

CLUTCH ASSY

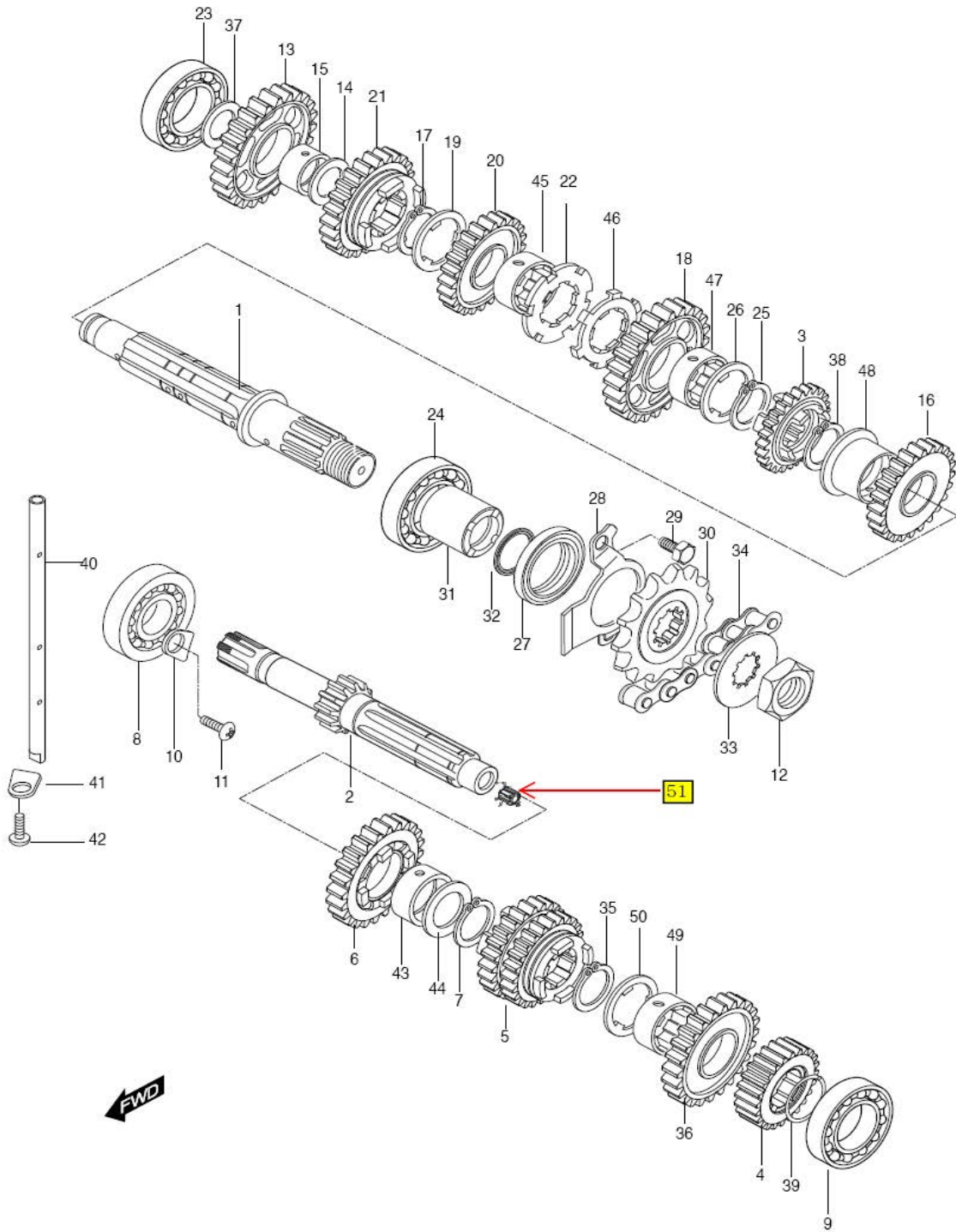




CLUTCH ASSY

| Ref # | Part # | Description | Quantity | Remarks |
|-------|----------------|---|----------|--------------------|
| 1 | 21210HN9101HPA | GEAR COMP, primary driven | 1 | |
| 2 | 09167H20001 | WASHER, clutch sleeve hub thrust | 1 | |
| 3 | 21411HN9102 | HUB, clutch sleeve | 1 | ~KM4MP51A841100117 |
| 4 | 09160H20002 | WASHER, primary driven gear thrust | 2 | |
| 4 | 09160H20003 | W/S, PRIMARY DRIVEN GR | 2 | ~KM4MP578871104016 |
| 5 | 09140H20001 | NUT, clutch sleeve hub | 1 | |
| 6 | 23114HN9100 | ROD, clutch push | 1 | |
| 6-1 | 23115HN9100 | ROD, CLUTCH PUSH NO.2 | 1 | |
| 7 | 23110HN9102 | ROD COMP, clutch push M | 1 | |
| 8 | 09136-06017 | STOPPER, clutch release camshaft oil seal | 1 | |
| 9 | 21441HN9100 | PLATE, clutch drive | 6 | |
| 10 | 21451HN9100 | PLATE, clutch driven | 6 | |
| 11 | 23121-38201 | PIECE, clutch push | 1 | |
| 12 | 09134-06010 | SCREW, clutch release adjuster | 1 | |
| 13 | 08310-22068 | NUT, clutch release adjust | 1 | |
| 14 | 09263H15001 | BEARING, clutch release thrust | 1 | |
| 15 | 09160-15015 | WASHER, clutch release thrust | 1 | |
| 16 | 21462HN9101 | DISK, clutch pressure | 1 | |
| 17 | 09440H20003 | SPRING, clutch | 6 | |
| 18 | 21471HN9101 | RETAINER, clutch spring | 6 | |
| 19 | 09100H06009 | BOLT, clutch spring | 6 | |
| 20 | 23271HN9100 | ARM, clutch release | 1 | |
| 21 | 09282H12002 | OIL SEAL, clutch release camshaft | 1 | |
| 22 | 08211-12281 | THRUST WASHER, clutch release cam shaft | 1 | |
| 23 | 23122HN9100 | SHAFT, clutch release cam | 1 | |
| 24 | 01107-06208 | BOLT, clutch release arm | 1 | |
| 25 | 21442HN9100 | PLATE, clutch drive No.2 | 1 | |
| 26 | 21443HN9100 | WASHER, clutch wave | 1 | |
| 27 | 21444HN9101 | SEAT, clutch wave washer | 1 | |
| 28 | 21251HN9101 | SPACER, primary driven gear | 1 | |

TRANSMISSION

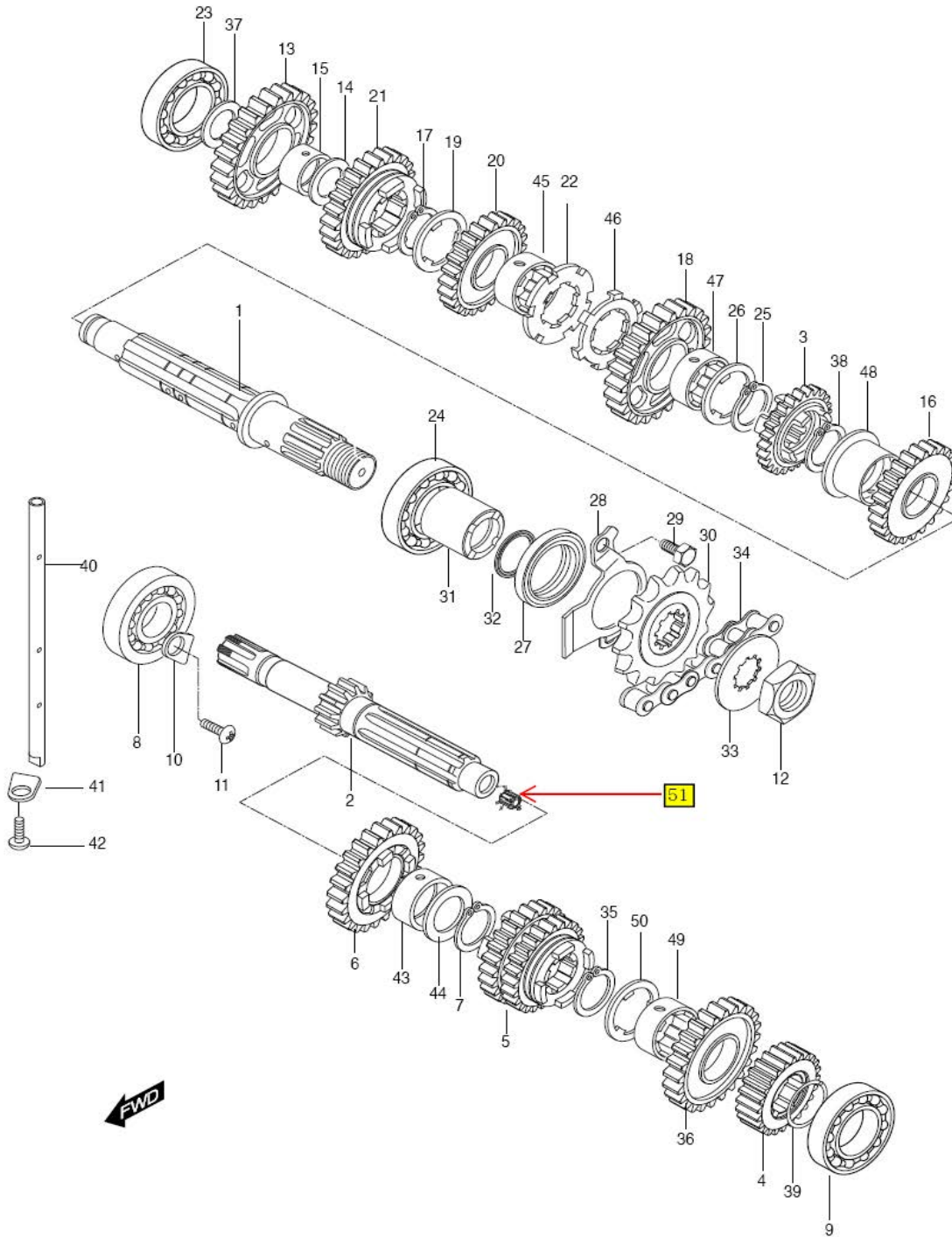




TRANSMISSION

| Ref # | Part # | Description | Quantity | Remarks |
|-------|-------------|---------------------------------------|----------|---------|
| 1 | 24131HN9100 | SHAFT COMP, drive | 1 | |
| 2 | 24121HN9104 | SHAFT COMP, counter | 1 | |
| 3 | 24361HN9101 | GEAR, 6th driven | 1 | |
| 4 | 24221HN9102 | GEAR, 2nd drive | 1 | |
| 5 | 24231HN9101 | GEAR, 3rd & 4th drive | 1 | |
| 6 | 24251HN9101 | GEAR, 5th drive | 1 | |
| 7 | 09380H25001 | CIRCLIP, 5th drive gear | 1 | |
| 8 | 08113-63040 | BEARING, counter shaft R (#6304) | 1 | |
| 9 | 08123-63050 | BEARING, counter shaft L (#6305) | 1 | |
| 10 | 24741HN9100 | RETAINER, counter shaft bearing | 1 | |
| 11 | 02112-06128 | SCREW, counter shaft bearing retainer | 1 | |
| 12 | 09159H20001 | NUT, engine sprocket | 1 | |
| 13 | 24311HN9100 | GEAR, 1st driven | 1 | |
| 14 | 09181H20001 | SHIM, 1st driven gear | 1 | |
| 15 | 24312HN9100 | BUSH, 1st driven gear | 1 | |
| 16 | 24321HN9101 | GEAR, 2nd driven | 1 | |
| 17 | 09380H25001 | CIRCLIP, 4th driven gear | 1 | |
| 18 | 24331HN9101 | GEAR, 3rd driven | 1 | |
| 19 | 09167H25001 | THRUST WASHER, 4th driven gear | 1 | |
| 20 | 24341HN9100 | GEAR, 4th driven | 1 | |
| 21 | 24351HN9101 | GEAR, 5th driven | 1 | |
| 22 | 09167H25002 | WASHER, 3rd & 4th driven gear thrust | 1 | |
| 23 | 08113-62030 | BEARING, drive shaft R | 1 | |
| 24 | 08123-63050 | BEARING, drive shaft L | 1 | |
| 25 | 09380H25001 | CIRCLIP, 3rd driven gear | 1 | |
| 26 | 09167H25001 | THRUST WASHER, 3rd driven gear | 1 | |
| 27 | 09282H36002 | OIL SEAL, drive shaft | 1 | |
| 28 | 24751HN9100 | RETAINER, drive shaft oil seal | 1 | |
| 29 | 01107-06106 | BOLT, drive shaft oil seal retainer | 1 | |
| 30 | 27510HN9100 | SPROCKET COMP, engine 15T (#525) | 1 | |
| 31 | 27531HN9100 | SPACER, engine sprocket | 1 | |
| 32 | 09280H24001 | O-RING, engine sprocket | 1 | |
| 33 | 09167H25004 | LOCK WASHER, engine sprocket | 1 | |
| 34 | 27600HN9100 | CHAIN ASS'Y, drive 108L (#525) | 1 | |
| 35 | 09380H25001 | CIRCLIP, 6th driven gear | 1 | |

TRANSMISSION

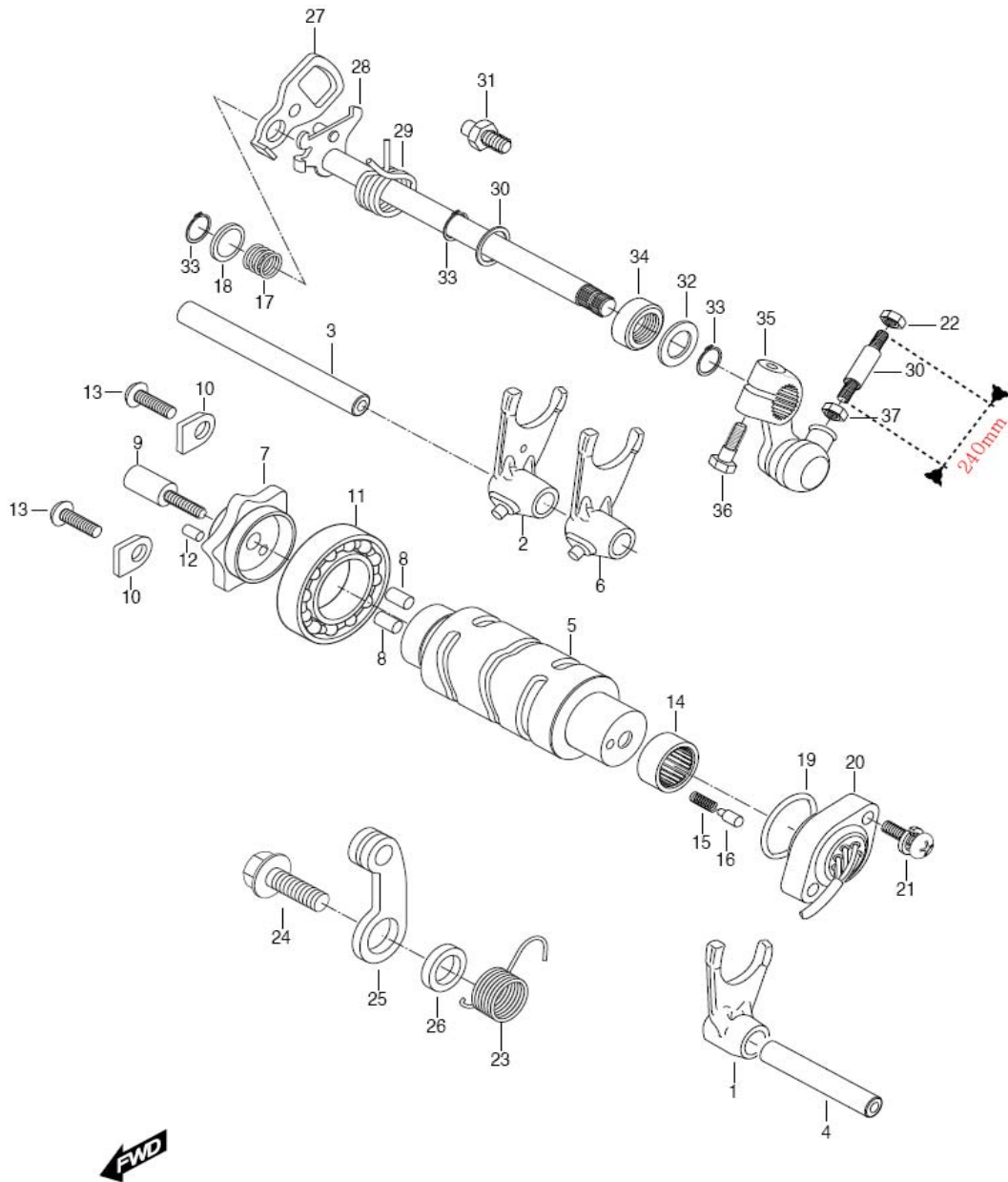




TRANSMISSION

| Ref # | Part # | Description | Quantity | Remarks |
|-------|-------------|---------------------------------------|----------|---------|
| 36 | 24261HN9101 | GEAR, 6th drive | 1 | |
| 37 | 09181H17001 | SHIM, drive shaft | 1 | |
| 38 | 09380H25001 | CIRCLIP, 2nd drive gear | 1 | |
| 39 | 09380H22001 | CIRCLIP, 2nd drive gear | 1 | |
| 40 | 24761HN9102 | PIPE, transmission oil | 1 | |
| 41 | 24741HN9100 | RETAINER, transmission oil pipe | 1 | |
| 42 | 02112-06128 | SCREW, transmission oil pipe retainer | 1 | |
| 43 | 24252HN9100 | BUSH, 5th drive gear | 1 | |
| 44 | 09181H25001 | SHIM, 5th drive gear | 1 | |
| 45 | 24332HN9100 | BUSH, 4th drive gear | 1 | |
| 46 | 09167H25003 | WASHER, thrust washer lock | 1 | |
| 47 | 24332HN9100 | BUSH, 3rd driven gear | 1 | |
| 48 | 24322HN9100 | BUSH, 2nd driven gear | 1 | |
| 49 | 24262HN9100 | BUSH, 6th drive gear | 1 | |
| 50 | 09167H25001 | WASHER, 6th drive gear | 1 | |
| 51 | 24125-38201 | BUSH | 2 | |

GEAR SHIFTING

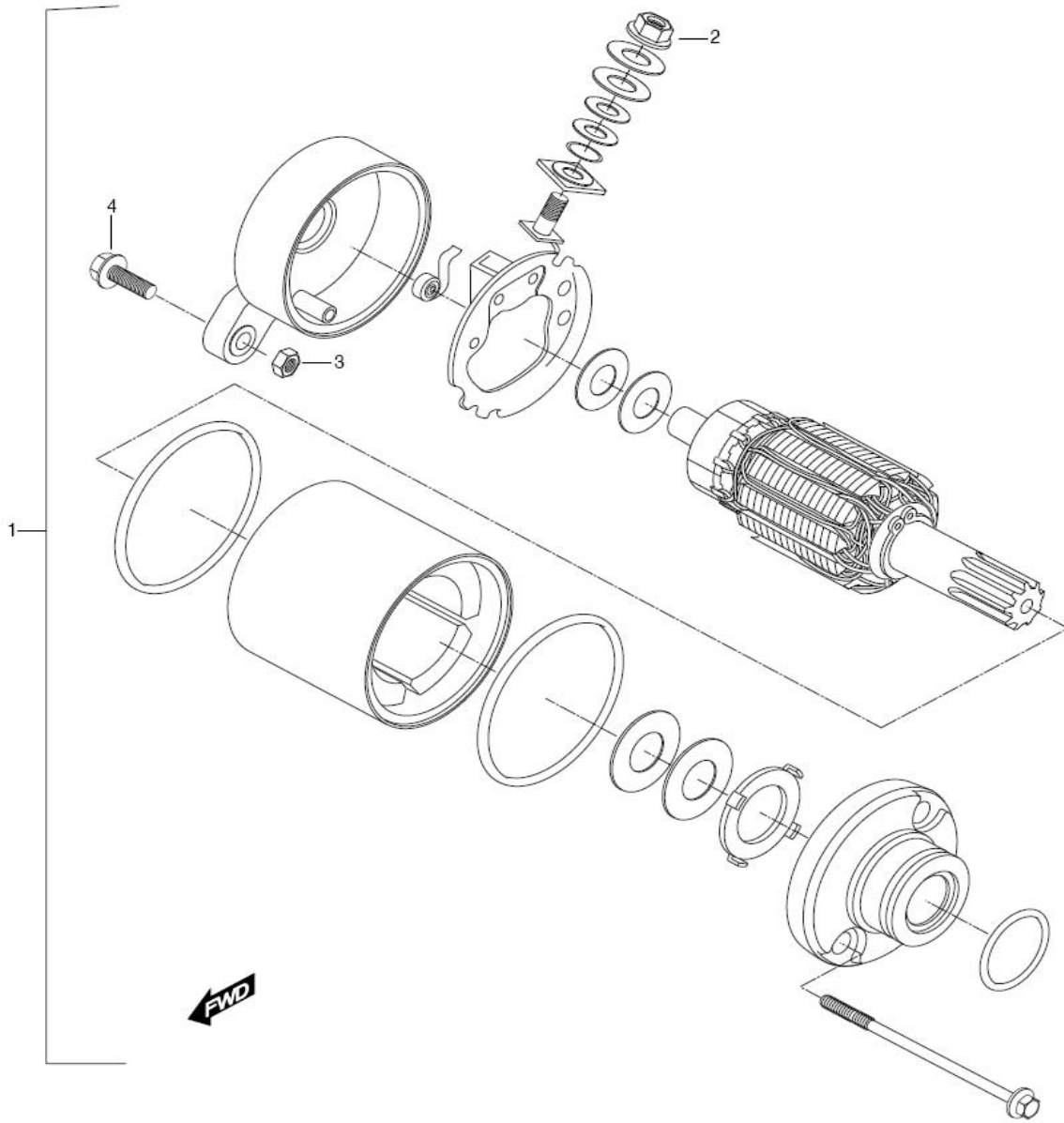




GEAR SHIFTING

| Ref # | Part # | Description | Quantity | Remarks |
|-------|-------------|--|----------|---------|
| 1 | 25231HN9100 | FORK, gear shift No.3 | 1 | |
| 2 | 25211HN9100 | FORK, gear shift No.1 | 1 | |
| 3 | 25411HN9100 | SHAFT, gear shift fork No.1 | 1 | |
| 4 | 25421HN9100 | SHAFT, gear shift fork No.2 | 1 | |
| 5 | 25310HN9102 | CAM COMP, gear shift | 1 | |
| 6 | 25221HN9100 | FORK, gear shift No.2 | 1 | |
| 7 | 25380HN9104 | PLATE COMP, gear shift cam | 1 | |
| 8 | 04221-04089 | PIN, gear shift cam plate | 2 | |
| 9 | 25321HN9100 | BOLT, gear shift cam plate | 1 | |
| 10 | 24741HN9100 | RETAINER, gear shift cam bearing R | 2 | |
| 11 | 09262H25002 | BEARING, gear shift cam R | 2 | |
| 12 | 09261-04002 | PIN, gear shift cam plate | 6 | |
| 13 | 02122-06128 | SCREW, gear shift cam bearing retainer | 2 | |
| 14 | 09263H25001 | BEARING, gear shift cam L | 1 | |
| 15 | 09440-04010 | SPRING, gear shift switch contact | 1 | |
| 16 | 09209-05011 | CONTACT, gear shift switch | 1 | |
| 17 | 09440H17001 | SPRING, gear shift cam drive plate | 1 | |
| 18 | 09181H14001 | SHIM, gear shift shaft thrust | 2 | |
| 19 | 09280-26003 | O-RING, gear shift switch | 1 | |
| 20 | 37720HN9101 | SWITCH ASS'Y, gear shift | 1 | |
| 21 | 02112-95208 | SCREW, gear shift switch | 2 | |
| 22 | 09140-06011 | NUT, gear shift link rod L (M6) | 2 | |
| 23 | 09448H17001 | SPRING, gear shift cam stopper | 1 | |
| 24 | 09111-06019 | BOLT, gear shift cam stopper | 1 | |
| 25 | 25350HN9100 | STOPPER COMP, gear shift cam | 1 | |
| 26 | 08211-06121 | WASHER, gear shift shaft thrust | 1 | |
| 27 | 25521HN9100 | PLATE, gear shift cam drive | 1 | |
| 28 | 25510HN9101 | SHAFT COMP, gear shift | 1 | |
| 29 | 09444H20002 | SPRING, gear shift shaft return | 1 | |
| 30 | 25525HP9200 | ROD, gear shift link (L=240) | 1 | |
| OP | 25525HP9250 | ROD, gear shift link (L=258) | 1 | |
| 31 | 25671-01000 | STOPPER, gear shift arm | 1 | |
| 32 | 09160H14003 | WASHER, gear shift shaft thrust | 1 | |
| 33 | 08331-31149 | CIRCLIP, gear shift shaft | 3 | |
| 34 | 09283H14002 | SEAL, gear shift shaft oil | 1 | |
| 35 | 25520-32C00 | ARM COMP, gear shift link | 1 | |
| 36 | 01107-06208 | BOLT, gear shift link arm (M6X10) | 1 | |
| 37 | 08310-11068 | NUT, gear shift link rod R (M6) | 1 | |

STARTING MOTOR

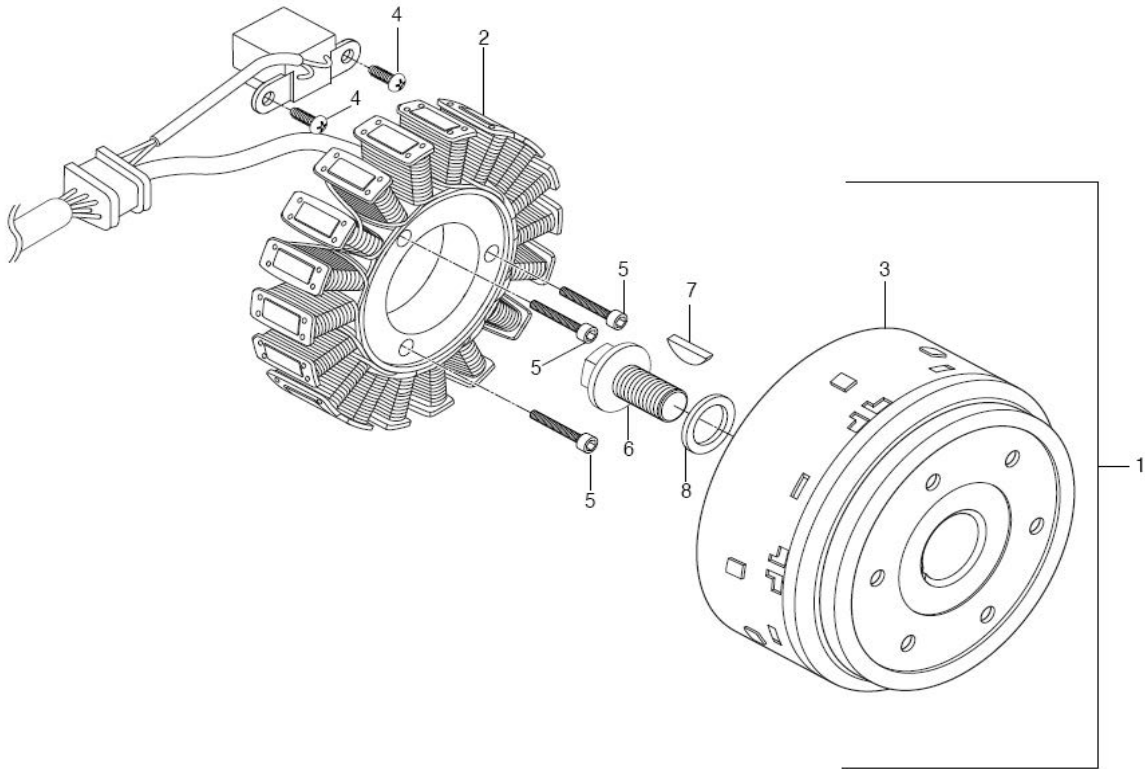




STARTING MOTOR

| Ref # | Part # | Description | Quantity | Remarks |
|-------|-------------|-----------------------------|----------|---------|
| 1 | 31100HN9100 | MOTOR ASS'Y, starting | 1 | |
| 2 | 08316-16068 | NUT, starter motor terminal | 1 | |
| 3 | 08319-21068 | NUT, start motor bracket | 2 | |
| 4 | 01547-06308 | BOLT, start motor bracket | 2 | |

MAGNETO ASSY



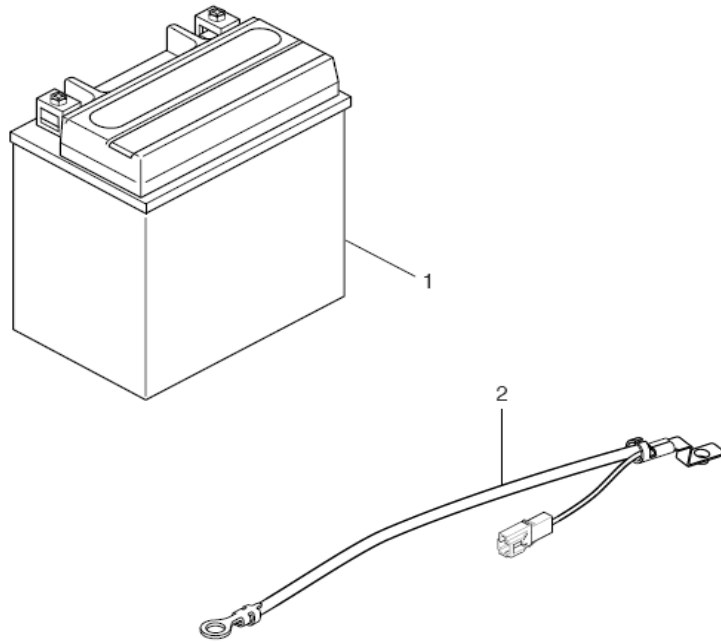


MAGNETO ASSY

| Ref # | Part # | Description | Quantity | Remarks |
|-------|-------------|-------------------------------|----------|---------|
| 1 | 32100HN9101 | MAGNETO ASS'Y | 1 | |
| 2 | 32101HN9101 | STATOR ASS'Y | 1 | |
| 3 | 32102HN9100 | ROTOR, fly wheel | 1 | |
| 4 | 02142-05128 | SCREW, pick-up coil (M5X12) | 2 | |
| 5 | 07110-06308 | SCREW, magneto stator (M5X30) | 3 | |
| 6 | 09103H12001 | BOLT, magneto | 1 | |
| 7 | 09420H04001 | KEY, magneto | 1 | |
| 8 | 09160H12003 | WASHER, magneto | 1 | |



BATTERY

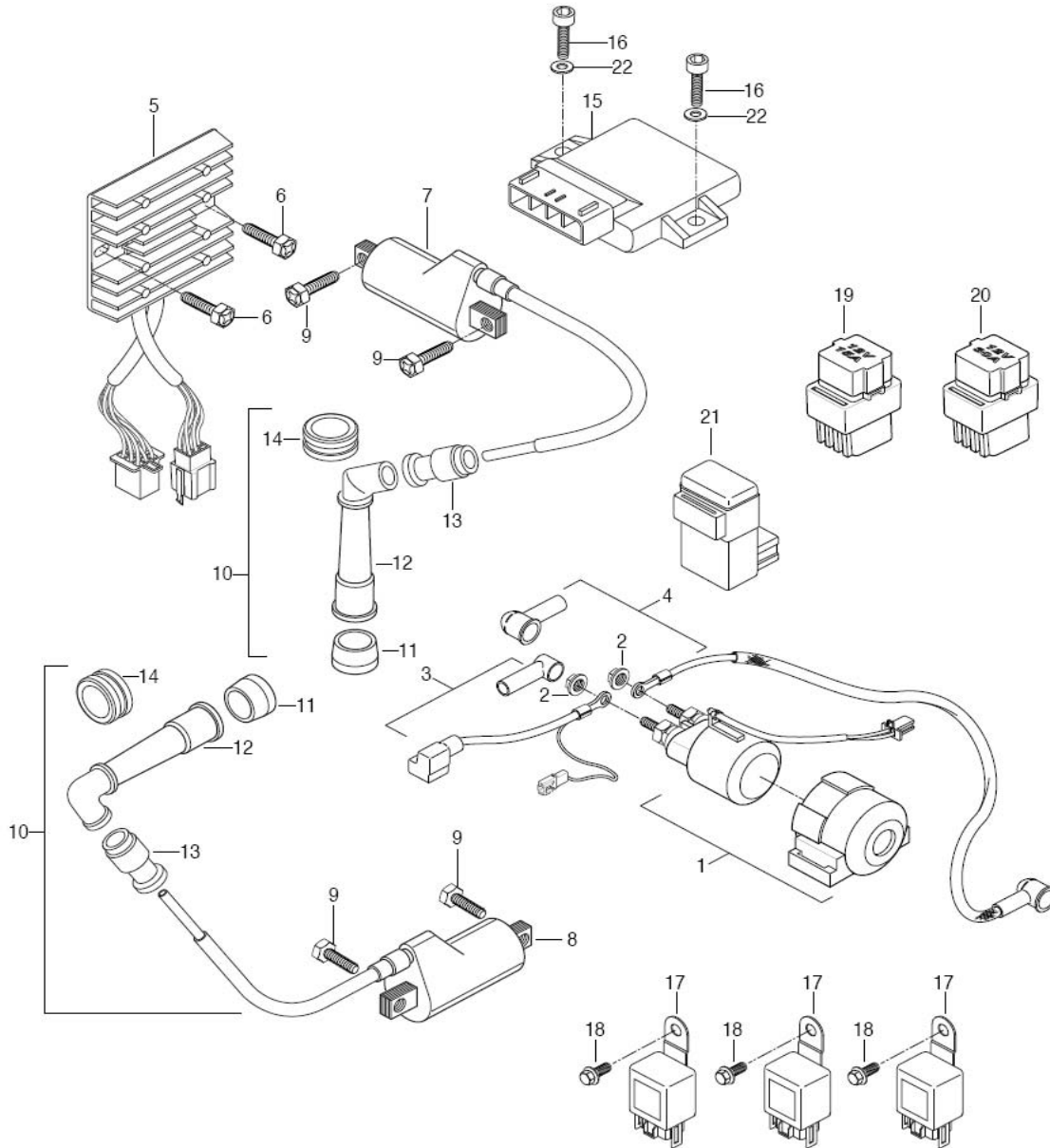




BATTERY

| Ref # | Part # | Description | Quantity | Remarks |
|-------|-------------|------------------------------------|----------|---------|
| 1 | 33610HM8100 | BATTERY ASS'Y (12V 12Ah. STX14-BS) | 1 | |
| 2 | 33860HN9100 | LEAD WIRE, battery minus (-) | 1 | |

ELECTRICAL

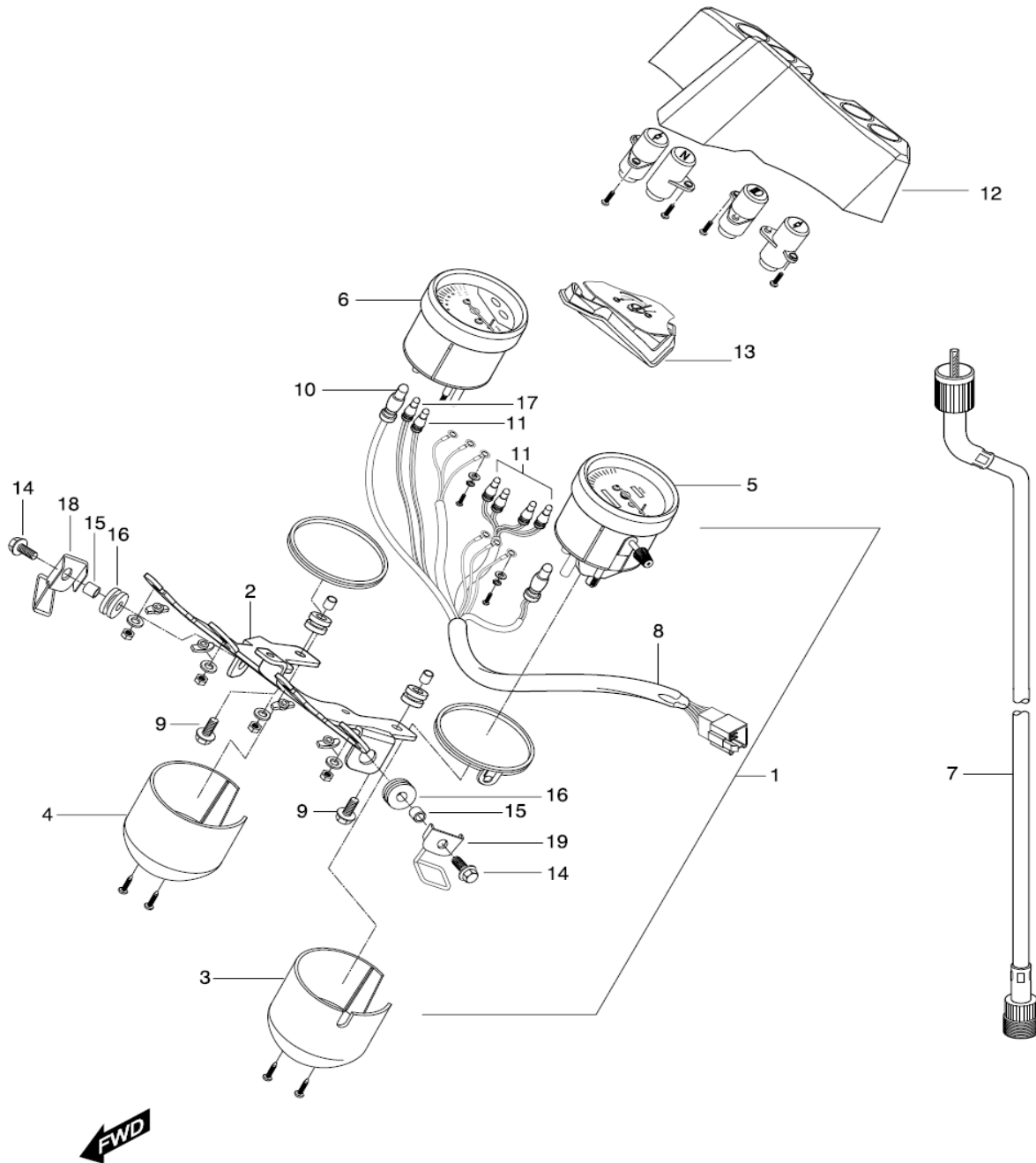




ELECTRICAL

| Ref # | Part # | Description | Quantity | Remarks |
|-------|-------------|-----------------------------------|----------|--------------------|
| 1 | 31800HG5100 | RELAY ASS'Y, starting motor | 1 | |
| 2 | 08316-26066 | NUT, starter motor relay terminal | 2 | |
| 3 | 33840HM8101 | LEAD WIRE, battery (+) | 1 | |
| 4 | 33850HG5800 | LEAD WIRE, starter motor | 1 | |
| 5 | 32800HN9101 | RECTIFIER REGULATOR ASS'Y | 1 | |
| 6 | 09128-06005 | BOLT, rectifier | 2 | |
| 7 | 33410HN9100 | COIL ASS'Y, ignition front | 1 | |
| 8 | 33430HN9100 | COIL ASS'Y, ignition rear | 1 | |
| 9 | 09128-06035 | BOLT, ignition coil | 4 | |
| 10 | 33500HN9100 | CAP ASS'Y spark plug | 2 | |
| 11 | 33541-23E01 | SEAL, spark plug | 2 | |
| 12 | 33510-05C01 | CAP, spark plug | 2 | |
| 13 | 33542-98000 | SEAL, high tension cord | 2 | |
| 14 | 33545HN9100 | BUSH, spark plug cap | 2 | Not for Sale |
| 15 | 32900HN9111 | IGNITER ASS'Y | 1 | KM4MP51C751100307~ |
| 16 | 07110-06208 | BOLT, igniter | 2 | |
| 17 | 38740HM5401 | RELAY ASS'Y. | 3 | |
| 18 | 01517-06166 | BOLT, relay | 3 | |
| 19 | 36740-35C00 | BOX ASS'Y, fuse (15A) | 1 | |
| 20 | 36740HN9100 | BOX ASS'Y, fuse (30A) | 1 | |
| 21 | 32910HN9101 | PULSE CONTROL UNIT | 1 | |
| 22 | 08322-21065 | WASHER, igniter | 2 | Not for Sale |

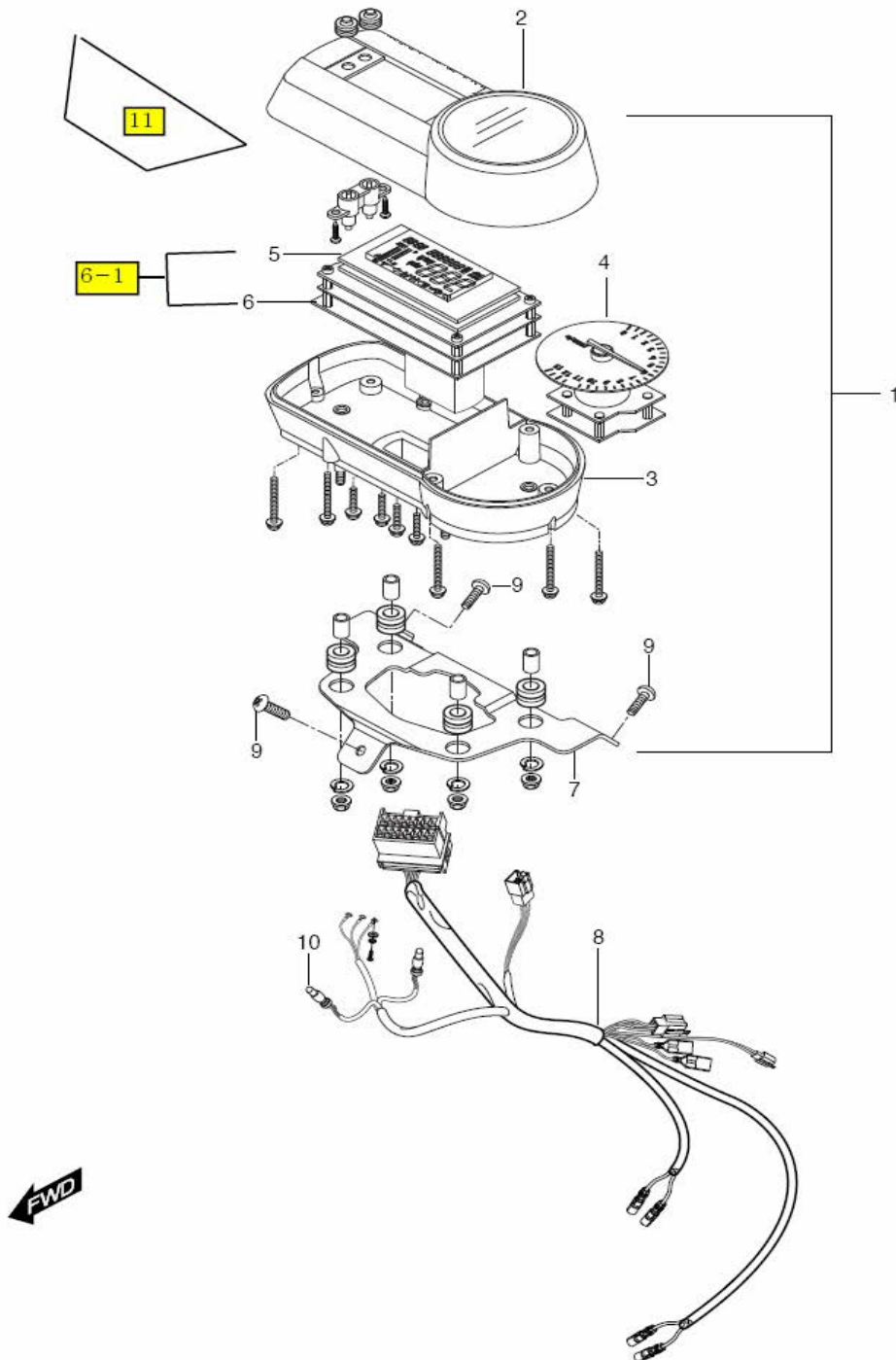
SPEEDOMETER ASSY (V2S 650)



**SPEEDOMETER ASSY (V2S 650)**

| Ref # | Part # | Description | Quantity | Remarks |
|-------|-------------|----------------------------------|----------|---------|
| 1 | 34100HN9101 | SPEEDOMETER ASS'Y | 1 | |
| 2 | 34950HP9200 | BRACKET | 1 | |
| 3 | 34105HM8100 | LOWER CASE, speedometer | 1 | |
| 4 | 34106HM8100 | LOWER CASE, tachometer | 1 | |
| 5 | 34110HN9100 | SPEEDOMETER | 1 | |
| 6 | 34120HN9100 | TACHOMETER | 1 | |
| 7 | 34910H93B00 | CABLE ASS'Y, speedometer | 1 | |
| 8 | 34171HN9100 | WIRING ASS'Y, speedometer | 1 | |
| 9 | 09116-06010 | BOLT, speedometer bracket | 2 | |
| 10 | 09471-12077 | BULB (12V ,1.7W, T10) | 2 | |
| 11 | 09471-12072 | BULB (12V, 1.7W, T6.5) | 5 | |
| 12 | 39110HM8100 | INDICATOR LAMP, upper | 1 | |
| 13 | 34136HN9100 | COVER, temp meter | 1 | |
| 14 | 01517-06208 | BOLT, speedometer & brace | 2 | |
| 15 | 09180-06011 | SPACER, speedometer bkt cushion | 2 | |
| 16 | 94433H07C00 | CUSHION, speedometer bracket | 2 | |
| 17 | 09471-12072 | BULB (12V, 1.7W, T6.5) | 1 | |
| 18 | 59410HN9101 | GUIDE COMP, brake hose & s/w lea | 1 | |
| 19 | 59420HN9101 | GUIDE COMP, cable & s/w lead wir | 1 | |

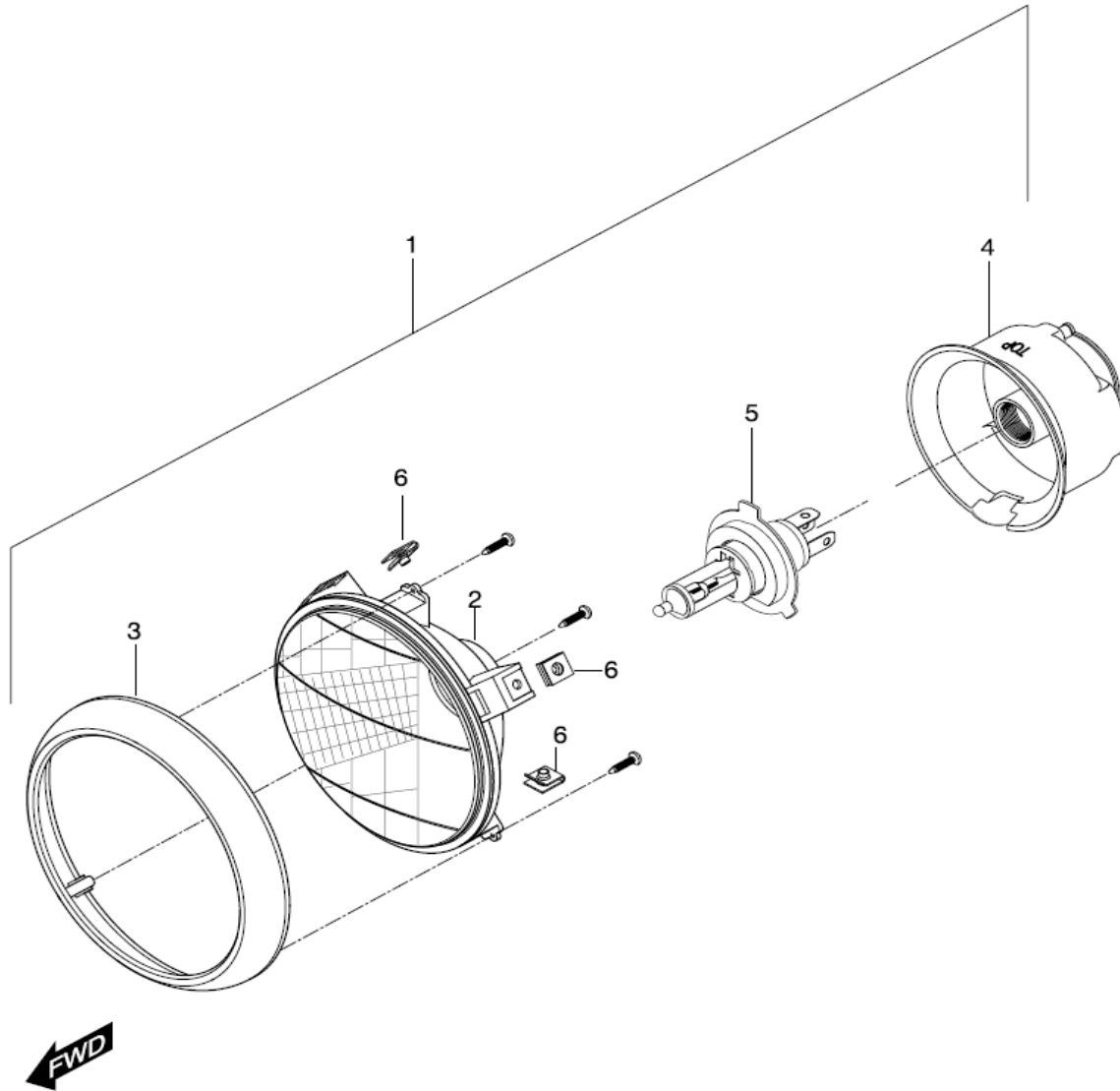
SPEEDOMETER ASSY (V2S 650 R/S)



**SPEEDOMETER ASSY (V2S 650 R/S)**

| Ref # | Part # | Description | Quantity | Remarks |
|-------|-------------|---------------------------|----------|----------------|
| 1 | 34100HP9260 | SPEEDOMETER ASS'Y | 1 | |
| 2 | 34150HP9200 | WINDOWS, case | 1 | |
| 3 | 34160HP9200 | CASE SUB, housing | 1 | |
| 4 | 34121HP9200 | TACHOMETER ASSY, movement | 1 | |
| 5 | 34500HP9200 | DISPLAY ASSY, speedometer | 1 | "Not for Sale" |
| 6 | 34600HP9200 | PCB ASSY, speedometer | 1 | "Not for Sale" |
| 6-1 | 34111HP9260 | SPEEDOMETER COMP | 1 | |
| 7 | 34950HP9200 | BRACKET, speedometer | 1 | |
| 8 | 34170HP9201 | WIRING ASSY, speedometer | 1 | |
| 9 | 01517-06208 | BOLT, speedometer bracket | 3 | |
| 10 | 09471-12072 | BULB (12V 1.7W T6.5) | 2 | |
| 11 | 94647HP9200 | CUSHION, Exclude Light | 1 | |

HEAD LAMP (V2S 650)

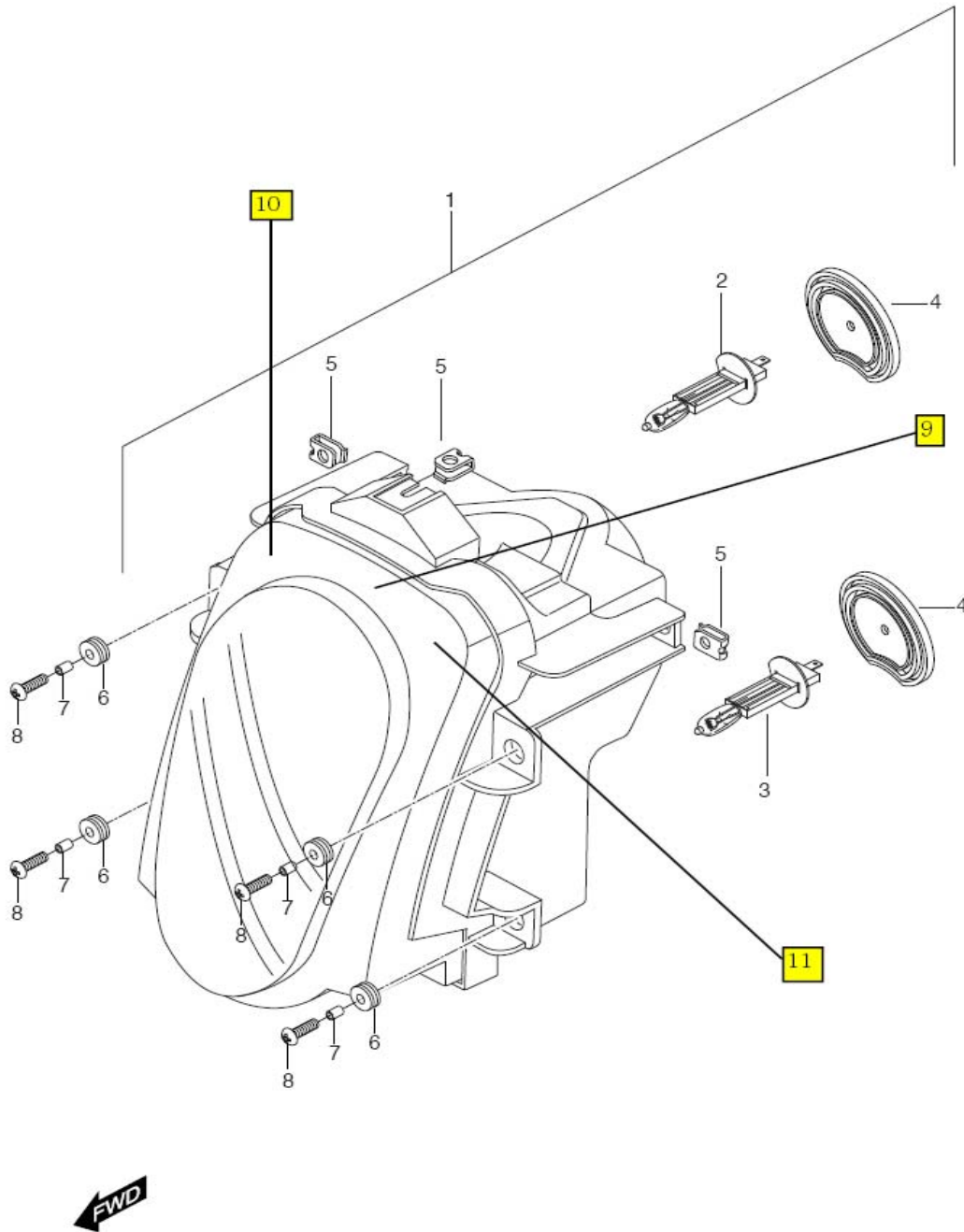




HEAD LAMP (V2S 650)

| Ref # | Part # | Description | Quantity | Remarks |
|-------|-------------|-----------------------------|----------|---------|
| 1 | 35100HM8171 | HEAD LAMP ASS'Y | 1 | |
| 2 | 35120HM8150 | REFLECTOR, headlamp | 1 | |
| 3 | 35111HM8100 | RIM, headlamp | 1 | |
| 4 | 35173HM8100 | DUST COVER | 1 | |
| 5 | 09471H12103 | BULB, head lamp(12v 60/55w) | 1 | |
| 6 | 09148-05039 | NUT, head lamp(M5) | 3 | |
| 7 | 09471-12110 | BULB,position lamp | 1 | |

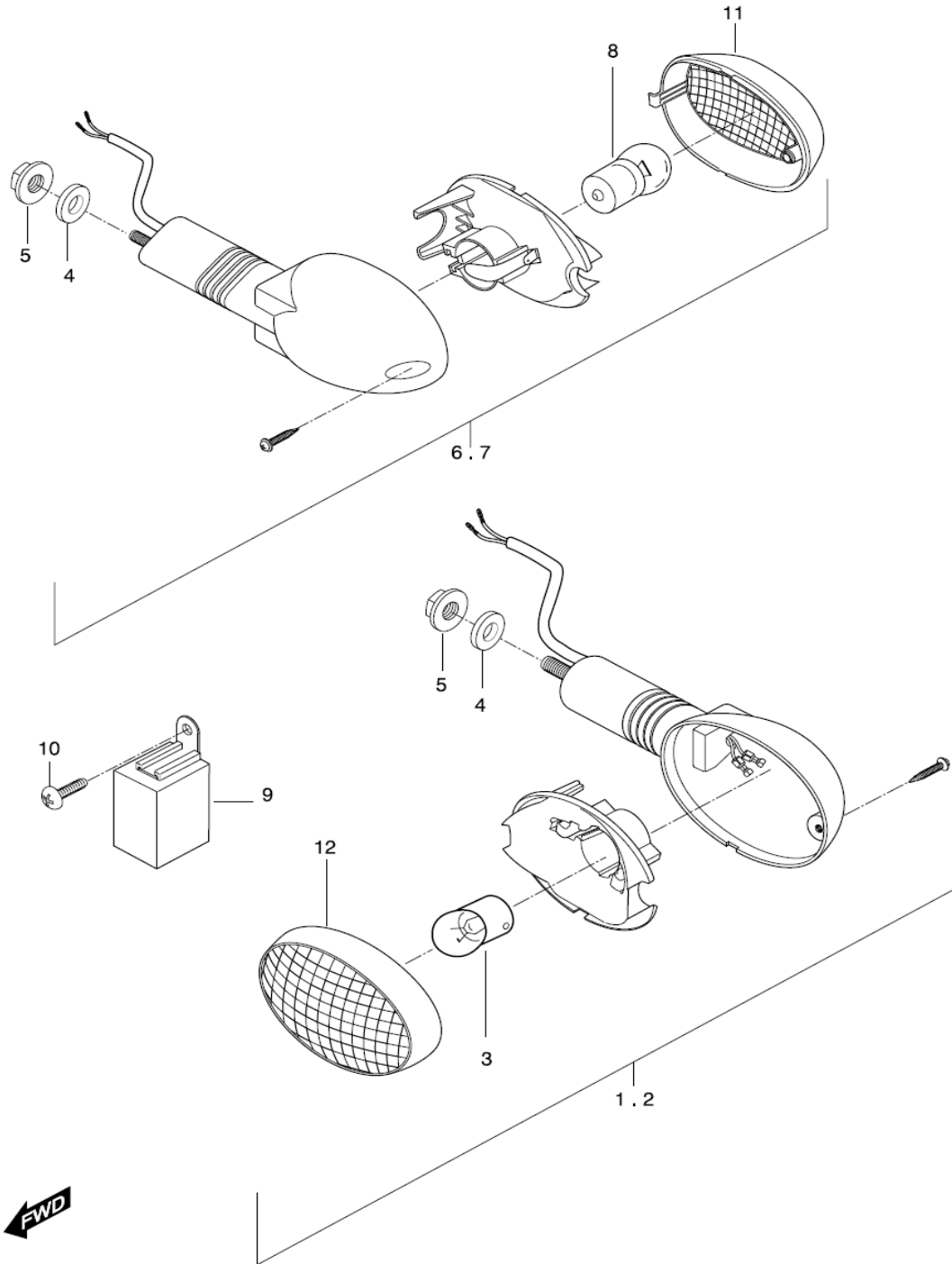
HEAD LAMP (V2S 650 R/S)



**HEAD LAMP (V2S 650 R/S)**

| Ref # | Part # | Description | Quantity | Remarks |
|-------|-------------|---------------------------------|----------|---------|
| 1 | 35100HP9250 | HEAD LAMP ASS'Y | 1 | |
| 2 | 09471H12250 | BULB, head lamp hi (12v H1:55w) | 1 | |
| 3 | 09471H12230 | BULB, head lamp hi (12v H3:55w) | 1 | |
| 4 | 35173HP9200 | DUST COVER | 2 | |
| 5 | 09148-05039 | NUT, head lamp speedometer | 3 | |
| 6 | 09320-09016 | CUSHION, head lamp & brace comp | 4 | |
| 7 | 09180-06011 | SPACER, head lamp & brace comp | 4 | |
| 8 | 09136-06113 | BOLT, head lamp & brace comp | 4 | |
| 9 | 35192HP9200 | CUSHION, Head Lamp | 1 | |
| 10 | 35193HP9200 | TAPE, Cushion Head Lamp R | 1 | |
| 11 | 35194HP9200 | TAPE, Cushion Head Lamp L | 1 | |

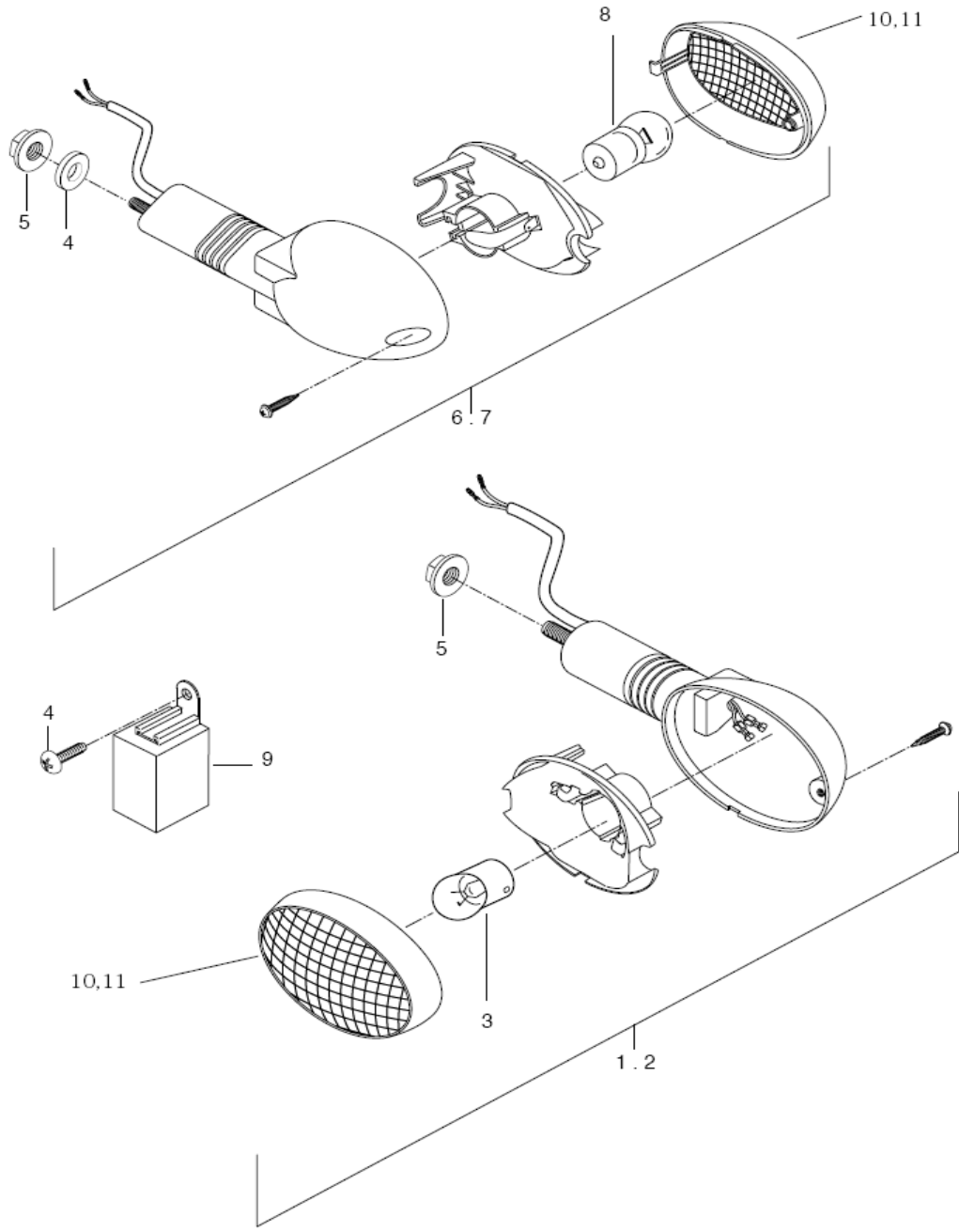
TURN SIGNAL LAMP (V2S 650)



**TURN SIGNAL LAMP (V2S 650)**

| Ref # | Part # | Description | Quantity | Remarks |
|-------|-------------|-----------------------------------|----------|---------|
| 1 | 35601HM8151 | LAMP ASS'Y, FT turnsignal R | 1 | |
| 2 | 35602HM8151 | LAMP ASS'Y, FT turnsignal L | 1 | |
| 3 | 09471-12142 | BULB, FT turnsignal lamp(12V,R10W | 2 | |
| 4 | 09160-06019 | WASHER, FT turnsignal lamp | 4 | |
| 5 | 08316-26066 | NUT, FT turnsignal lamp | 4 | |
| 6 | 35603HM8151 | LAMP ASS'Y, RR turnsignal R | 1 | |
| 7 | 35604HM8151 | LAMP ASS'Y, RR turnsignal L | 1 | |
| 8 | 09471-12003 | BULB, RR turnsignal lamp(12V, R10 | 2 | |
| 9 | 38610HL7300 | RELAY ASS'Y, turn signal | 1 | |
| 10 | 01517-06166 | BOLT, turnsignal, relay | 1 | |
| 11 | 35612HM8100 | LENS, FT turnsignal R | 2 | |
| 12 | 35632HM8100 | LENS, FT turnsignal L | 2 | |

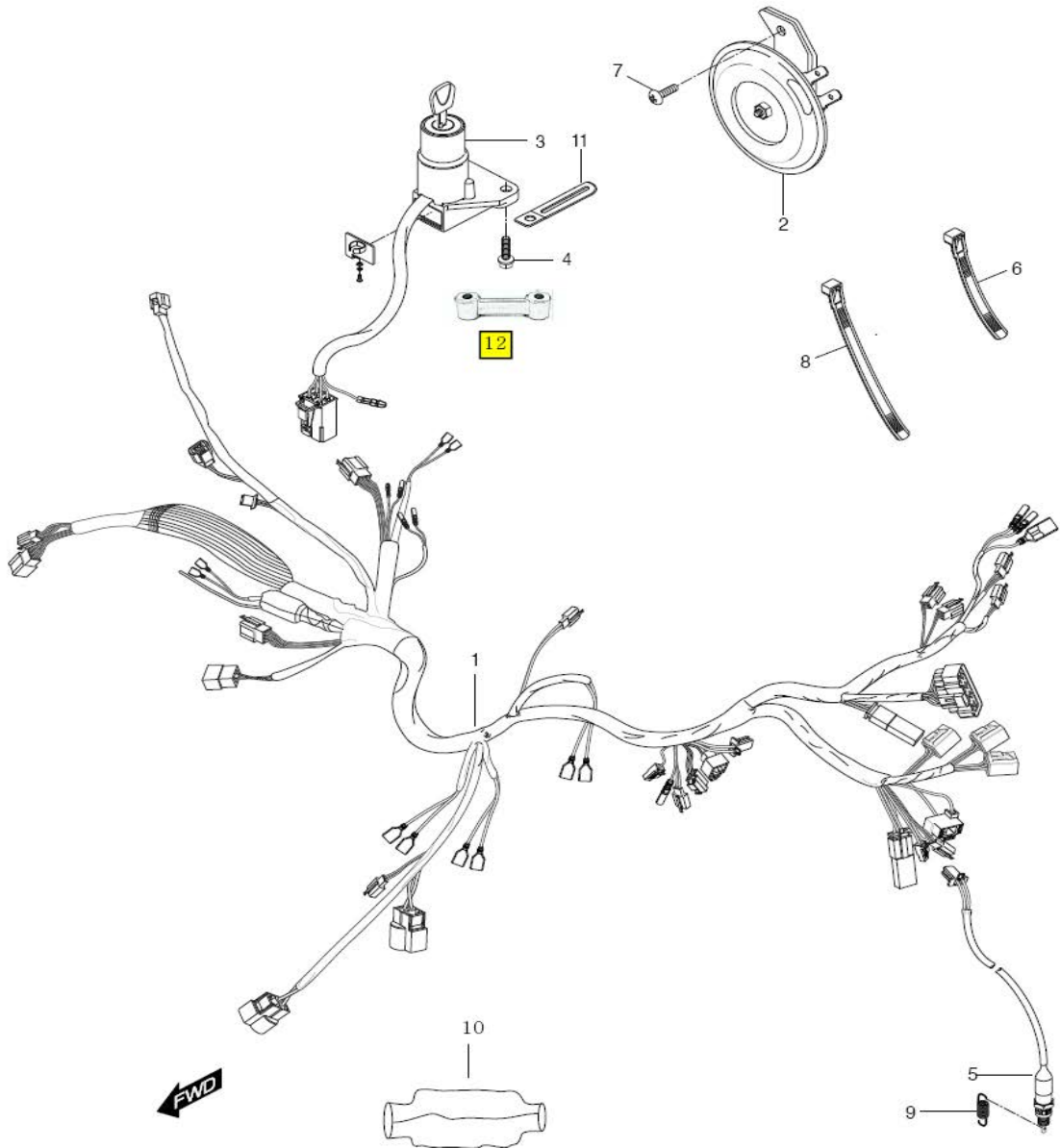
TURN SIGNAL LAMP (V2S 650 R/S)



**TURN SIGNAL LAMP (V2S 650 R/S)**

| Ref # | Part # | Description | Quantity | Remarks |
|-------|-------------|--------------------------------------|----------|---------|
| 1 | 35601HP9250 | LAMP ASS'Y, FT turn signal R | 1 | |
| 2 | 35602HP9250 | LAMP ASS'Y, FT turn signal L | 1 | |
| 3 | 09471-12003 | BULB, FT turn signal lamp (12V,10W) | 2 | |
| 4 | 09160-06019 | BOLT, turn signal relay | 1 | |
| 5 | 08316-26066 | NUT, FT turn signal lamp | 4 | |
| 6 | 35603HM8151 | LAMP ASS'Y, RR turn signal R | 1 | |
| 7 | 35604HM8151 | LAMP ASS'Y, RR turn signal L | 1 | |
| 8 | 09471-12003 | BULB, RR turn signal lamp (12V, 10W) | 2 | |
| 9 | 38610HL7300 | RELAY ASS'Y, turn signal | 1 | |
| 10 | 35612HM8100 | LENS, FT turn signal R | 2 | |
| 11 | 35632HM8100 | LENS, FT turn signal L | 2 | |

WIRING HARNESS

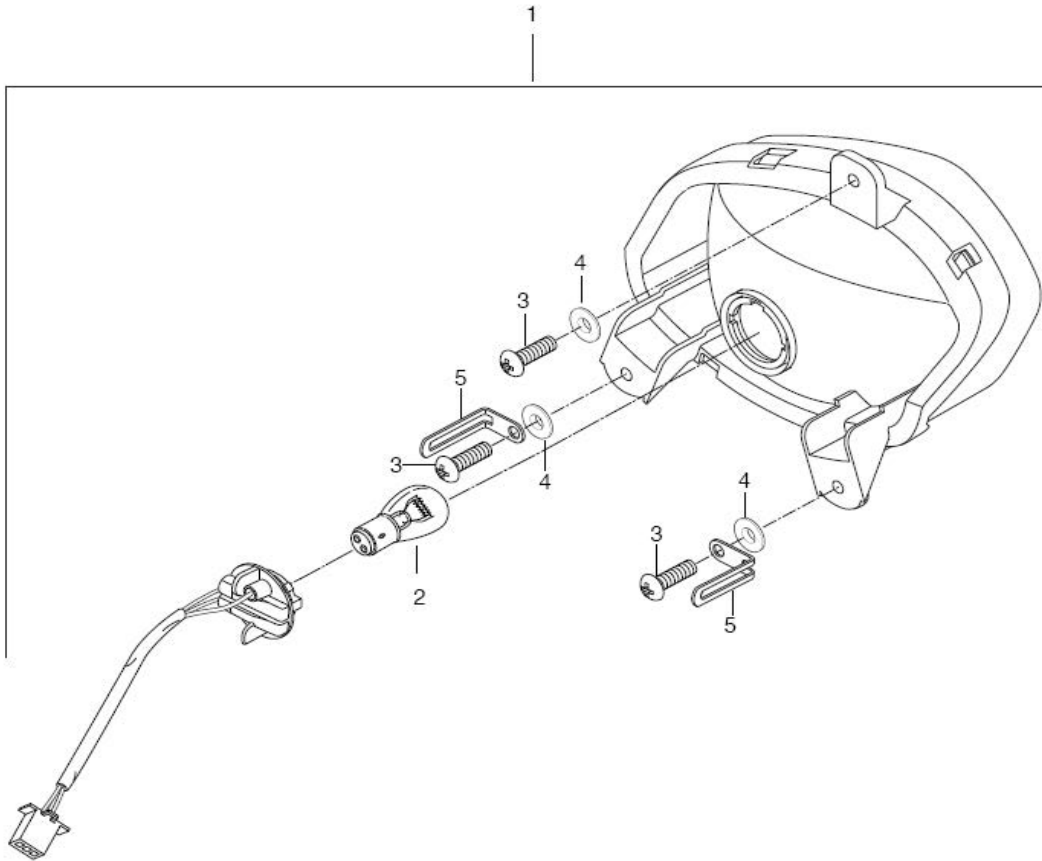




WIRING HARNESS

| Ref # | Part # | Description | Quantity | Remarks |
|-------|-------------|-------------------------|----------|---------------------------|
| 1 | 36610HP9202 | HARNESS, wiring | 1 | |
| 2 | 38500HM8101 | HORN ASS'Y | 1 | |
| 3 | 37000HP9260 | LOCK ASS'Y, steering | 1 | |
| 4 | 01517-06206 | BOLT, steering lock | 1 | |
| 4-1 | 09139H06016 | SCREW, steer lock | 1 | |
| 5 | 37740HN9100 | SWITCH ASS'Y, rear stop | 1 | |
| 6 | 09407-14403 | CLAMP, wiring harness | 4 | |
| 7 | 02112-36128 | SCREW, horn | 1 | after 11/06 - 09106H06150 |
| 8 | 09407-254A1 | CLAMP, wiring harness | 2 | |
| 9 | 09443H06006 | SPRING | 1 | |
| 10 | 36618-30610 | BOOT W/HARNESS | 1 | |
| 11 | 09407-22402 | CLAMP, wiring harness | 2 | |
| 12 | 37550HP9200 | SPACER, STEERING LOCK | 1 | |

REAR COMBINATION LAMP

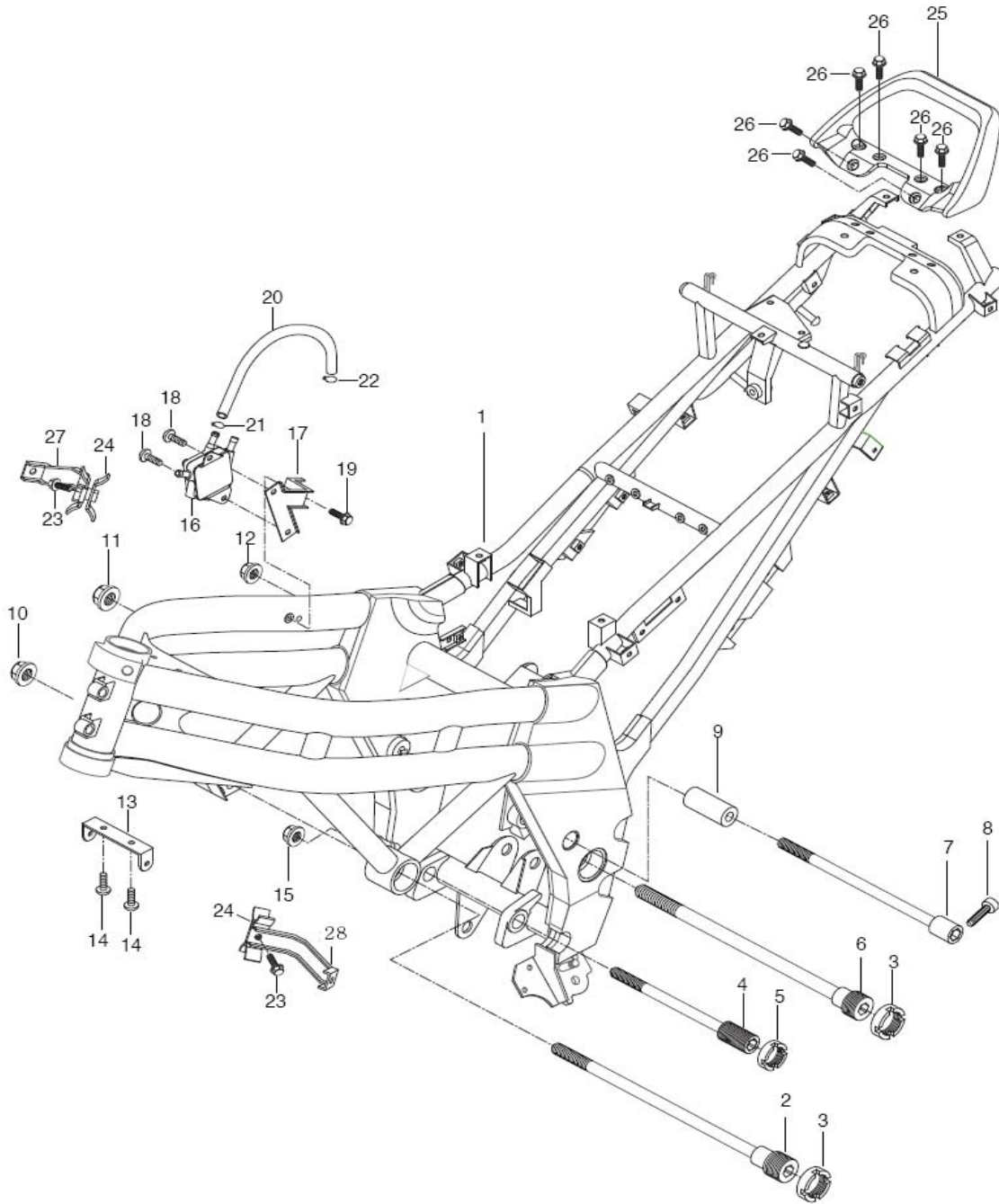




REAR COMBINATION LAMP

| Ref # | Part # | Description | Quantity | Remarks |
|-------|-------------|--------------------------------|----------|---------|
| 1 | 35710HM8152 | LAMP ASS`Y, tail & stop | 1 | |
| 2 | 09471-12047 | BULB, tail & stop (12V P21/5W) | 1 | |
| 3 | 03241-05166 | SCREW, tail & stop | 3 | |
| 4 | 09160-05017 | WASHER, tail & stop | 3 | |
| 5 | 09404-06401 | CLAMP, tail & stop | 2 | |

FRAME

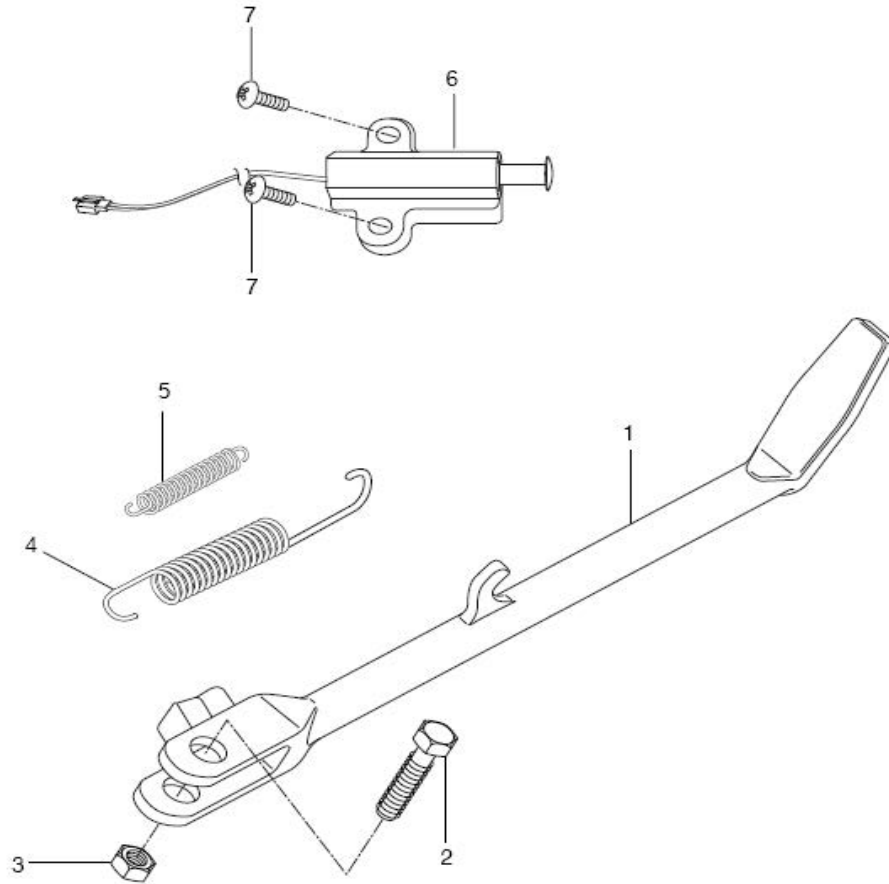




FRAME

| Ref # | Part # | Description | Quantity | Remarks |
|-------|-----------------------------|---|----------|--------------------|
| 1 | 41100HP926003P | FRAME COMP | 1 | |
| 2 | 41165HN9101 | SHAFT, engine mounting link | 1 | |
| 3 | 09141H26001 | LOCK NUT, engine mounting link & shaft | 1 | |
| 4 | 41191HN9101 | SHAFT, engine mounting RR lower | 2 | |
| 5 | 09141H20001 | LOCK NUT, engine mounting RR lower | 1 | |
| 6 | 61211HN9101 | SHAFT, RR swinging arm pivot | 1 | |
| 7 | 41181HN9101 | SHAFT, engine mounting RR upper | 1 | |
| 8 | 07110-08258 | BOLT, frame & engine mounting adjuster | 1 | |
| 9 | 41185HN9100 | SPACER, frame & engine rear upper (L=49) | 1 | |
| 10 | 08319-31128 | NUT, engine mounting link & shaft | 1 | |
| 11 | 08319-31108 | NUT, frame & engine RR upper | 1 | |
| 12 | 09159H14008 | NUT, RR swinging arm pivot | 1 | |
| 13 | 41772HN9101 | BRKT, radiator upper | 1 | |
| 14 | 01517-06125 | SCREW, radiator upper brkt | 1 | |
| 15 | 08319-31108 | NUT, frame & engine RR lower | 2 | |
| 16 | 15100HG5100 | PUMP ASS'Y, fuel | 1 | |
| 17 | 41351HN9100 | BRKT, fuel pump | 1 | |
| 18 | 02142-06126 | SCREW, fuel pump | 1 | |
| 19 | 01517-06126 | BOLT, fuel pump brkt | 2 | |
| 20 | 44199HL7302 | HOSE, fuel pump & carburetor vacuum (L=330) | 1 | |
| 21 | 09401-10401 | CLIP, fuel pump vacuum | 1 | |
| 22 | 09401-08401 | CLIP, carburetor vacuum | 1 | |
| 23 | 01134-06306 | GUIDE CLAMP, harness | 1 | |
| 24 | 94417HP9201 | PLATE COMP, frame & body side COW'G | 2 | |
| 25 | 47510HP9202 | RIDER, pillion | 1 | |
| 26 | 07120-08258 | BOLT, grip handle | 6 | |
| 27 | 94478HP9202 | BRKT COMP, frame body side | 1 | |
| 28 | 94479HP9202 | BRKT COMP, frame body side | 1 | |
| 29 | 68149HP9400 | TAPE, FRAME SIDE (tracing tape) | 8 | KM4MP51C251100148~ |
| 30 | 52530HN9160 | BODY COMP CANISTER | 1 | |
| 31 | 52550HN9160 | VALVE ASSY | 1 | |
| 32 | 46111HN9160 | JOINT CANISTER HOSE | 1 | |

PROP STAND

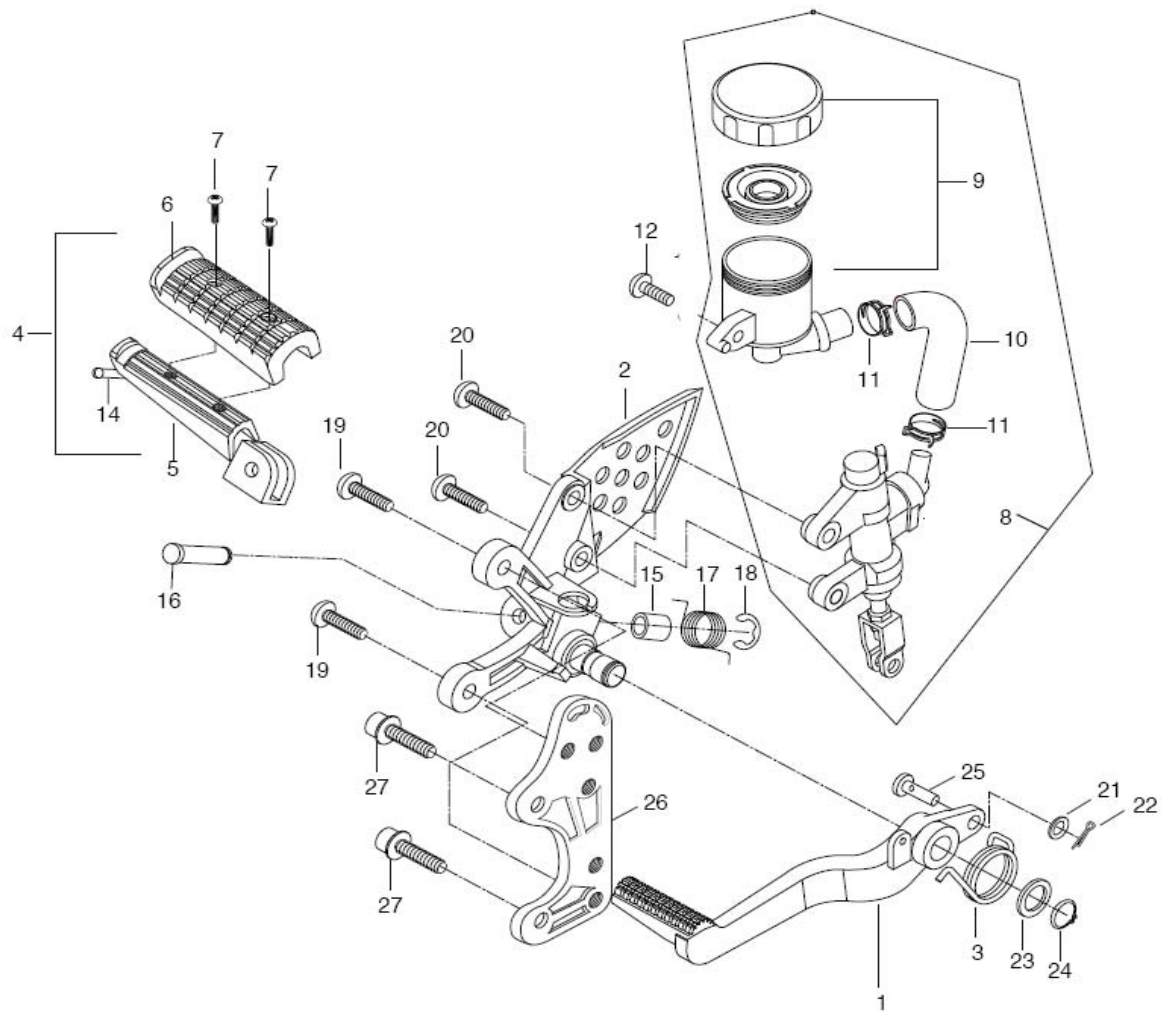




PROP STAND

| Ref # | Part # | Description | Quantity | Remarks |
|-------|----------------|--------------------------|----------|--------------------|
| 1 | 42310HN910003P | STAND COMP, prop | 1 | |
| 1~1 | | STAND COMP, prop | 1 | KM4MP51B861100907~ |
| 2 | 09100-10031 | BOLT, prop stand | 1 | |
| 3 | 08310-22106 | NUT, prop stand | 1 | |
| 4 | 09443-15047 | SPRING, prop stand outer | 1 | |
| 5 | 09443-06001 | SPRING, prop stand inner | 1 | |
| 6 | 37840HN9102 | SWITCH ASS'Y, side stand | 1 | |
| 7 | 01517-06205 | BOLT, side stand | 2 | |

REAR BRAKE

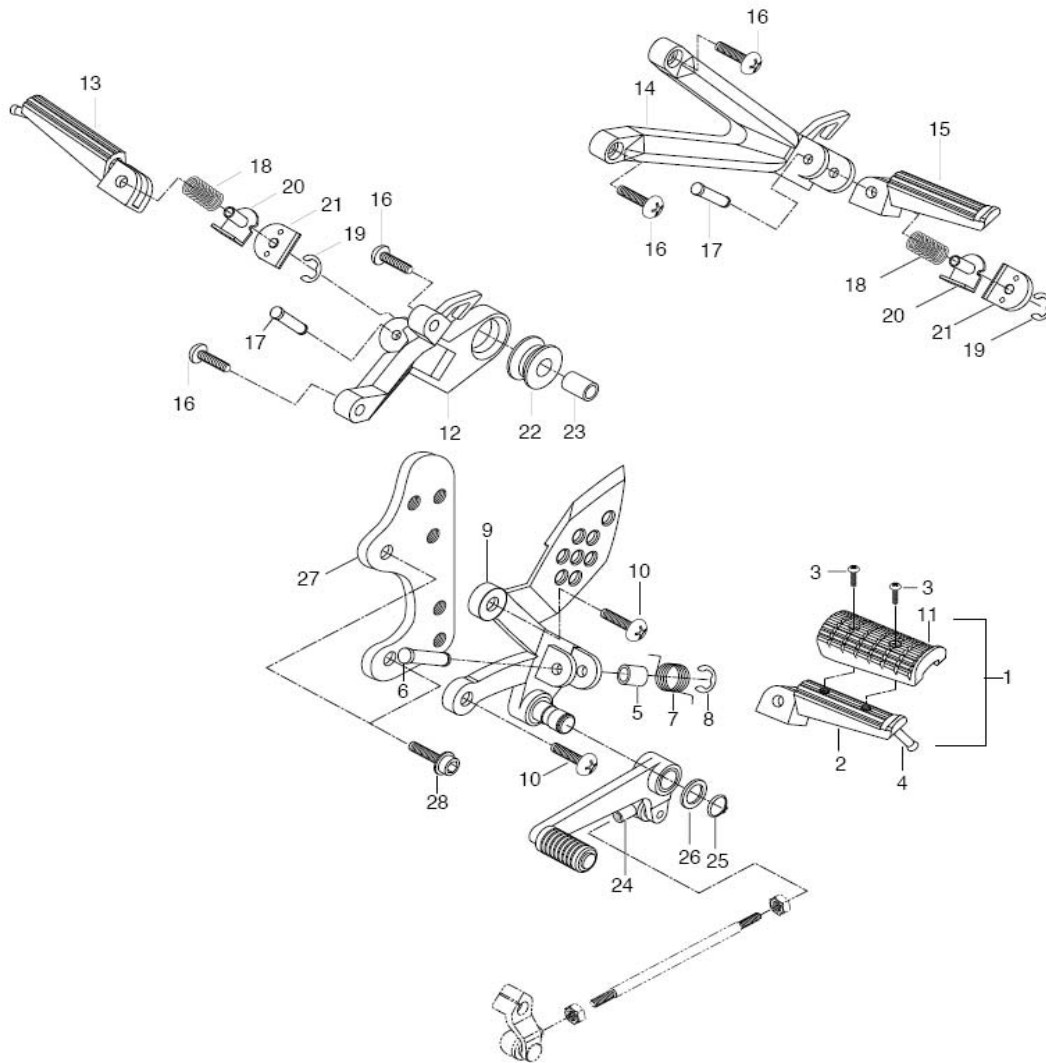




REAR BRAKE

| Ref # | Part # | Description | Quantity | Remarks |
|-------|----------------|----------------------------------|----------|--------------------------|
| 1 | 43110HM810003P | PEDAL COMP, brake | 1 | |
| 2 | 43530HM810503P | BRACKET COMP, front footrest R | 1 | ~ KM4MP52A241100049 |
| 2~1 | 43530HM810603P | BRACKET COMP, front footrest R | 1 | KM4MP52A241100050 ~ |
| 3 | 09448H30002 | SPRING, brake pedal return | 1 | |
| 4 | 43560HM8100 | FOOTREST ASS'Y, front R | 1 | |
| 5 | 43561HM8100 | FOOTREST, bar front R | 1 | |
| 6 | 43530H30A40 | RUBBER COMP, front footrest R | 1 | |
| 7 | 02112-05126 | SCREW, front footrest | 2 | |
| 8 | 69609HN9100 | CYLINDER ASS'Y rear master | 1 | |
| 9 | 69740HM8100 | TANK ASS'Y reserve | 1 | |
| 10 | 69700HM8101 | HOSE ASS'Y reserve | 1 | |
| 11 | 09400H13001 | CLAMP, reserve tank hose | 2 | |
| 12 | 01517-06168 | BOLT, reserve tank | 1 | |
| 14 | 43533H30A40 | BOLT, front footrest bar | 1 | |
| 15 | 09180H08008 | SPACER, front footrest | 1 | |
| 16 | 43579HM8101 | PIN, front footrest | 1 | |
| 17 | 09448H14007 | SPRING, front footrest | 1 | |
| 18 | 08332-11079 | E-RING, front footrest | 1 | |
| 19 | 07120-08208 | BOLT, front footrest bracket | 2 | after 11/6 - 07120-08207 |
| 20 | 07120-08258 | BOLT, master cylinder | 2 | |
| 21 | 08322-21068 | WASHER, rear master cylinder | 1 | |
| 22 | 04111-20208 | COTTER PIN, rear master cylinder | 1 | |
| 23 | 09160H15002 | WASHER, brake pedal | 1 | |
| 24 | 08331-31159 | CIRCLIP, brake pedal | 1 | |
| 25 | 09200H06040 | PIN, rear master cylinder | 1 | |
| 26 | 43550HP9201 | BRKT, front footrest back step R | 2 | |
| 27 | 07120-08258 | BOLT, grip handle | 2 | |

FOOTREST

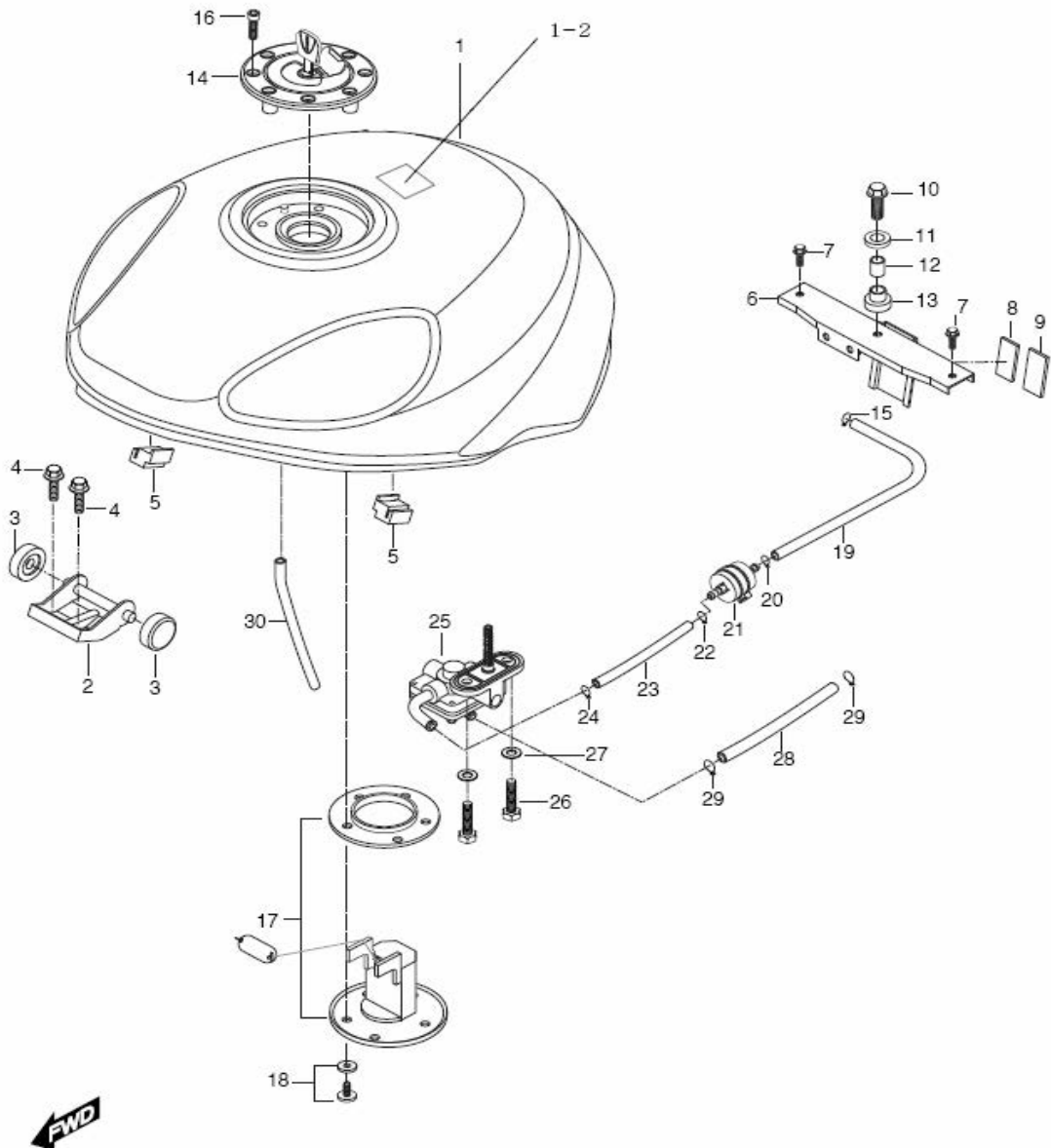




FOOTREST

| Ref # | Part # | Description | Quantity | Remarks |
|-------|----------------|----------------------------------|----------|---------|
| 1 | 43570HM8100 | FOOTREST ASS'Y, front L | 1 | |
| 2 | 43571HM8100 | FOOTREST BAR, front L | 1 | |
| 3 | 02112-05126 | SCREW, front footrest | 2 | |
| 4 | 43533H30A40 | BOLT, front footrest bar | 1 | |
| 5 | 09180H08008 | SPACER, front footrest | 1 | |
| 6 | 43579HM8101 | PIN, front footrest bar | 1 | |
| 7 | 09448H14007 | SPRING, front footrest | 1 | |
| 8 | 08332-11079 | E-RING, front footrest | 1 | |
| 9 | 43540HN910103P | BRACKET COMP, front footrest L | 1 | |
| 10 | 07120-08258 | BOLT, front footrest bracket | 2 | |
| 11 | 43532H30A40 | RUBBER, front footrest | 1 | |
| 12 | 43621HM810403P | BRACKET, pillion footrest R | 1 | |
| 13 | 43661HM8101 | FOOTREST BAR, pillion R | 1 | |
| 14 | 43721HM810303P | BRACKET, pillion footrest L | 1 | |
| 14-1 | 43721HM810403P | BRACKET, pillion footrest L | 1 | |
| 15 | 43671HM8101 | FOOTREST BAR, pillion L | 1 | |
| 16 | 07120-08258 | BOLT, pillion footrest bracket | 4 | |
| 17 | 43679HM8101 | PIN, pillion footrest | 2 | |
| 18 | 09448H08008 | SPRING, pillion footrest | 2 | |
| 19 | 08332-11048 | E-RING, pillion footrest | 2 | |
| 20 | 43631HM8101 | PLATE, pillion stopper No.1 | 2 | |
| 21 | 43641HM8101 | PLATE, pillion stopper No.2 | 2 | |
| 22 | 09320-14015 | CUSHION, muffler support | 1 | |
| 23 | 09180-10044 | SPACER, muffler support | 1 | |
| 24 | 25609HP920003P | LEVER COMP, gear shift cam | 1 | |
| 25 | 08331-31159 | CIRCLIP, gear shift lever | 1 | |
| 26 | 09160H15002 | WASHER, gear shift lever | 1 | |
| 27 | 43560HP9201 | BRKT, front footrest back step L | 1 | |
| 28 | 07120-08258 | BOLT, front footrest back step | 2 | |

FUEL TANK

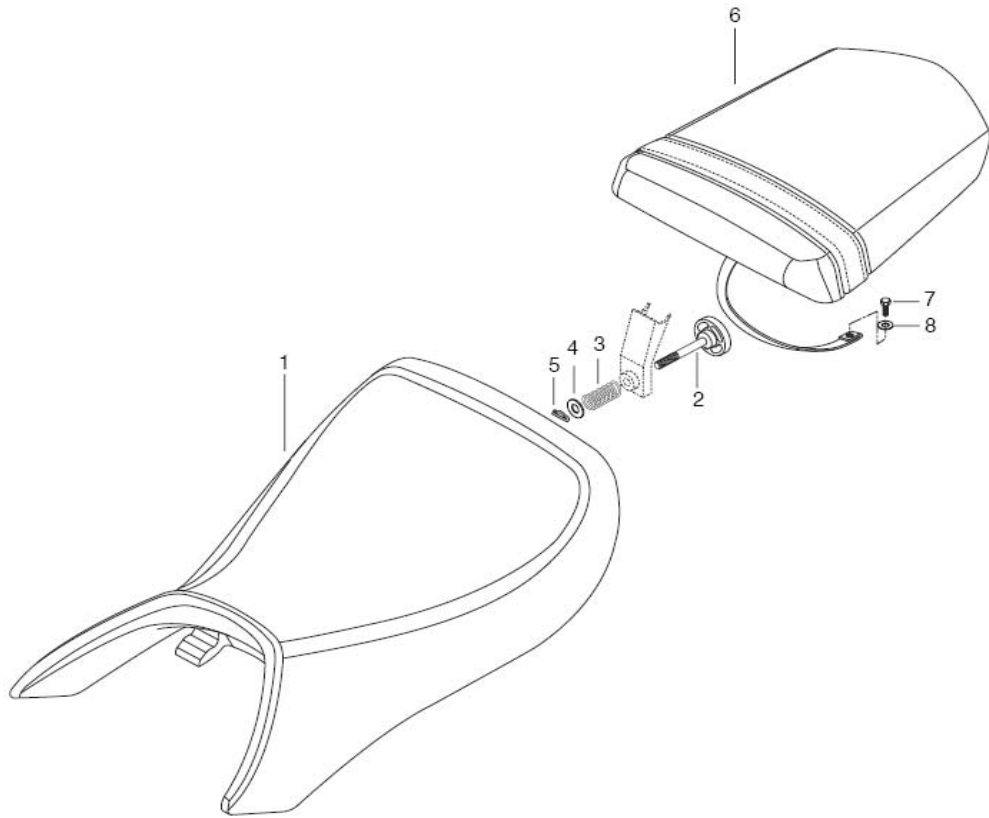




FUEL TANK

| Ref # | Part # | Description | Quantity | Remarks |
|-------|----------------|--|----------|------------|
| 1 | 44110SR91600BK | TANK COMP, fuel (BLACK) | 1 | 49 STATE |
| 1 | 44110SR91600DS | TANK COMP, fuel (SILVER/BLACK) | 1 | 49 STATE |
| 1 | 44110SR91600WB | TANK COMP, fuel (BURGUNDY/BLACK) | 1 | 49 STATE |
| 1 | 44110SR91600DR | TANK COMP, fuel (RED/BLACK) | 1 | 49 STATE |
| 1~1 | 44100SR91600BK | TANK COMP, fuel (BLACK) | 1 | CALIF ONLY |
| 1~1 | 44100SR91600DS | TANK COMP, fuel (SILVER/BLACK) | 1 | CALIF ONLY |
| 1~1 | 44100SR91600WB | TANK COMP, fuel (BURGUNDY/BLACK) | 1 | CALIF ONLY |
| 1~1 | 44100SR91600DR | TANK COMP, fuel (RED/BLACK) | 1 | CALIF ONLY |
| 1-2 | 68319H05350PL | LABEL, CAUTION | 1 | |
| 2 | 44520HM8100 | BRKT COMP, fuel tank front | 1 | |
| 3 | 09329-10007 | CUSHION, fuel tank inner front | 2 | |
| 4 | 01517-06166 | BOLT, fuel tank front brkt | 2 | |
| 5 | 09329H28001 | CUSHION, fuel tank side | 2 | |
| 6 | 44530HM8100 | BRKT COMP, fuel tank RR | 1 | |
| 7 | 01517-06206 | BOLT, fuel tank RR brkt | 2 | |
| 8 | 44215HM8100 | CUSH, F/TANK IN 2 | 1 | |
| 9 | 44216HM8100 | CUSH, F/TANK IN 3 | 1 | |
| 10 | 09116H08078 | BOLT, fuel tank RR | 1 | |
| 11 | 09320-14013 | CUSHION, fuel tank RR up | 1 | |
| 12 | 09180H08007 | SPACER, fuel tank RR cushion | 1 | |
| 13 | 09320H10020 | CUSHION, fuel tank RR lower | 1 | |
| 14 | 44200H35C30 | CAP ASS'Y, fuel tank filler | 1 | |
| 15 | 09401H11401 | CLIP, strainer outlet & fuel pump | 1 | |
| 16 | 09106-05017 | BOLT, fuel tank filler | 4 | |
| 17 | 34810HM8102 | GAUGE ASS'Y, fuel lever | 1 | |
| 18 | 01134-05106 | BOLT, fuel level gauge | 5 | |
| 19 | 44199H11202 | HOSE, fuel strainer outlet (L=170) | 1 | |
| 20 | 09401-10401 | CLIP, fuel strainer outlet | 1 | |
| 21 | 44910HG2600 | STRAINER COMP, fuel | 1 | |
| 22 | 09401-08401 | CLIP, fuel strainer inlet NO.2 | 1 | |
| 23 | 44197HK2701 | HOSE, fuel strainer inlet | 1 | |
| 24 | 09401-10401 | CLIP, fuel strainer inlet NO.2 | 1 | |
| 25 | 44300HN9100 | COCK ASS'Y, fuel | 1 | |
| 26 | 09128-06035 | BOLT, fuel cock | 2 | |
| 27 | 09168-06010 | GASKET, fuel cock | 2 | |
| 28 | 44197HE6102 | HOSE, fuel cock vacuum & intake pipe (L=320) | 1 | |
| 29 | 09401-08401 | CLIP, fuel hose | 2 | |
| 30 | 09352H70103650 | HOSE, fuel tank drain (L=650) | 1 | |

SEAT

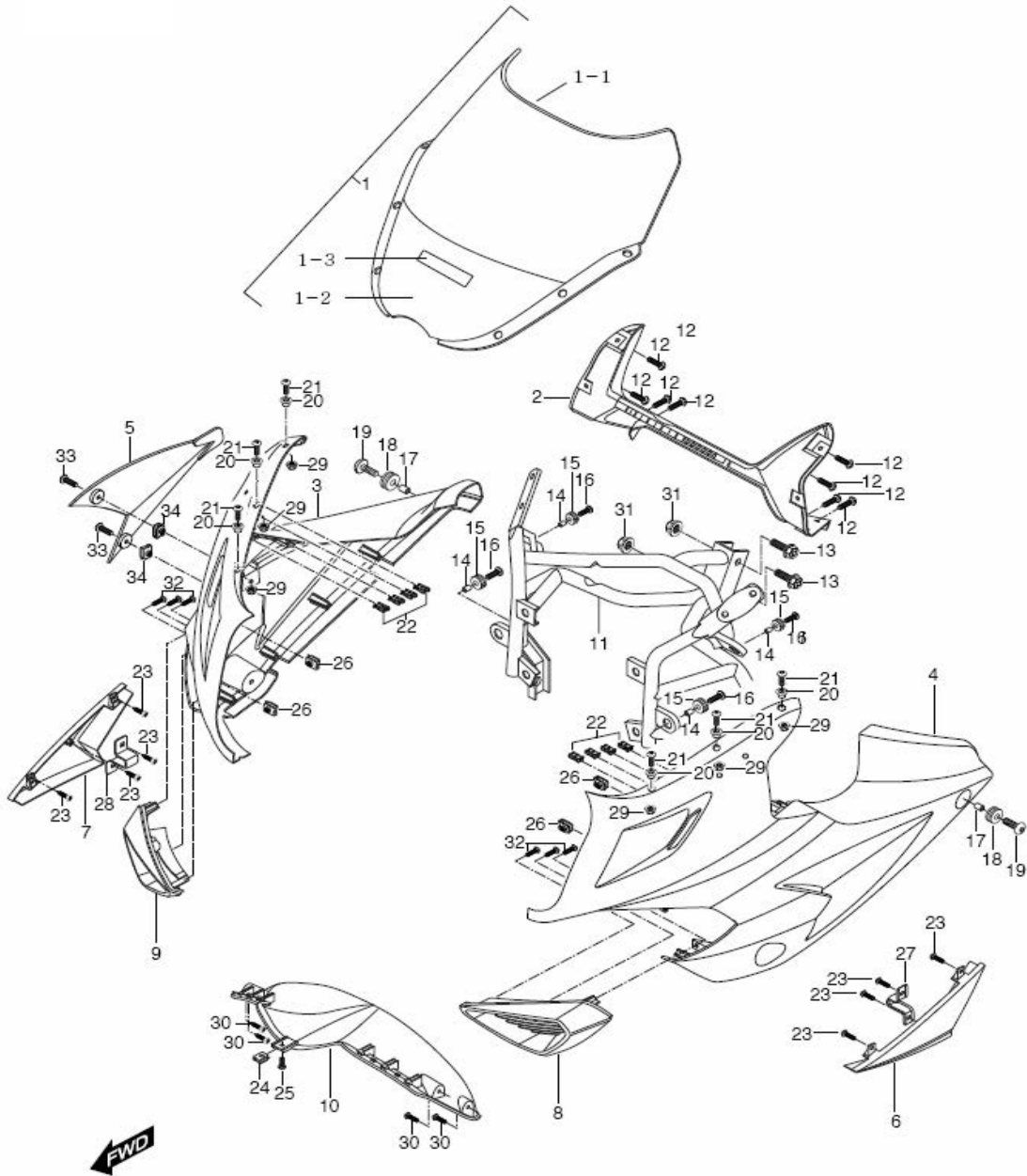




SEAT

| Ref # | Part # | Description | Quantity | Remarks |
|-------|-------------|-------------------------|----------|---------|
| 1 | 45110HN9100 | SEAT SET, front | 1 | |
| 2 | 45120HM8101 | KNOB COMP, seat front | 1 | |
| 3 | 09440-11016 | SPRING, seat front knob | 1 | |
| 4 | 08322-11088 | WASHER, seat front knob | 1 | |
| 5 | 04111-20208 | PIN, seat front knob | 1 | |
| 6 | 45200HP9200 | SEAT SET, rear | 1 | |
| 7 | 01517-06206 | BOLT, rear seat | 1 | |
| 8 | 09160-06057 | WASHER, rear seat | 1 | |

COW'G BODY (S,R)

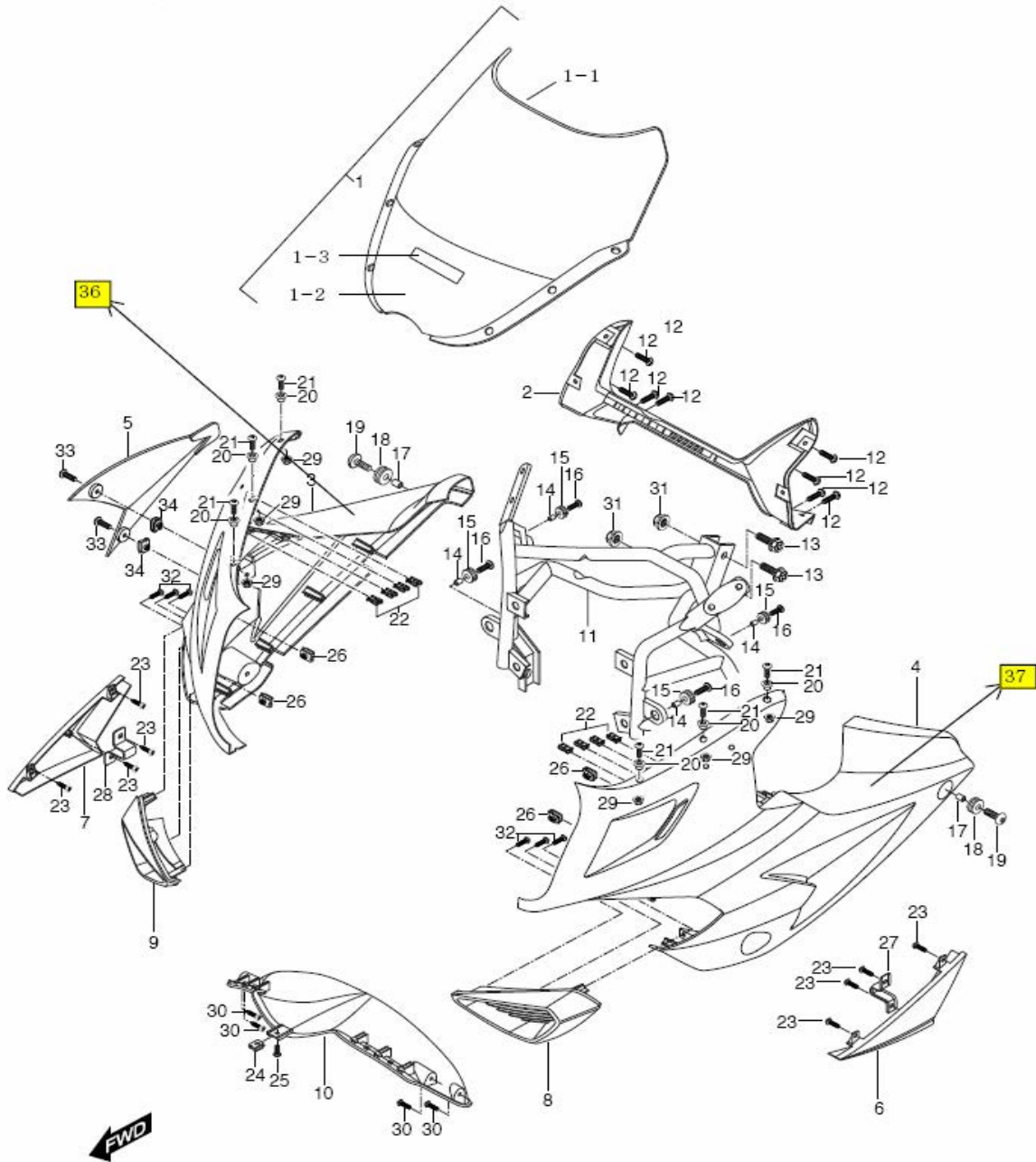




COW'G BODY (S,R)

| Ref # | Part # | Description | Quantity | Remarks |
|-------|----------------|---|----------|---------------|
| 1 | 94611HP9202HPA | WINDSCREEN ASSY (COLOR :LIQUID) | 1 | |
| | 94601HP9202HPA | WIND SCREEN ASSY (COLOR : TONED) | 1 | |
| 1-1 | 94611HP9202 | WINDSCREEN | 1 | |
| 1-2 | 68500HP9200 | TAPE, WINDSCREEN | 1 | |
| 1-3 | | | 1 | Not Used |
| 2 | 94641HP9200 | PANEL, meter | 1 | |
| 3 | 94411HP92020BK | COW'G, body side R (BLACK) | 1 | |
| 3 | 94411HP92020DS | COW'G, body side R (SILVER/BLACK) | 1 | |
| 3 | 94411HP92020WB | COW'G, body side R (BURGUNDY/BLACK) | 1 | |
| 3 | 94411HP92020DR | COW'G, body side R (RED/BLACK) | 1 | |
| 4 | 94421HP92020BK | COW'G, body side L (BLACK) | 1 | |
| 4 | 94421HP92020DS | COW'G, body side L (SILVER/BLACK) | 1 | |
| 4 | 94421HP92020WB | COW'G, body side L (BURGUNDY/BLACK) | 1 | |
| 4 | 94421HP92020DR | COW'G, body side L (RED/BLACK) | 1 | |
| 5 | 94431HP92000BK | COW'G, body side R inner (BLACK) | 1 | |
| 5 | 94431HP92000DS | COW'G, body side R inner (SILVER/BLACK) | 1 | |
| 5 | 94431HP92000WB | COW'G, body side R inner (BURGUNDY/BLACK) | 1 | |
| 5 | 94431HP92000DR | COW'G, body side R inner (RED/BLACK) | 1 | |
| 6 | 94491HP9200BK | COW'G, body side lower L (BLACK) | 1 | "S" TYPE ONLY |
| 6 | 94491HP9200DS | COW'G, body side lower L (SILVER/BLACK) | 1 | "S" TYPE ONLY |
| 6 | 94491HP9200WB | COW'G, body side lower L (BURGUNDY/BLACK) | 1 | "S" TYPE ONLY |
| 6 | 94491HP9200DR | COW'G, body side lower L (RED/BLACK) | 1 | "S" TYPE ONLY |
| 7 | 94481HP9200BK | COW'G, body side lower R (BLACK) | 1 | "S" TYPE ONLY |
| 7 | 94481HP9200DS | COW'G, body side lower R (SILVER/BLACK) | 1 | "S" TYPE ONLY |
| 7 | 94481HP9200WB | COW'G, body side lower R (BURGUNDY/BLACK) | 1 | "S" TYPE ONLY |
| 7 | 94481HP9200DR | COW'G, body side lower R (RED/BLACK) | 1 | "S" TYPE ONLY |
| 8 | 94671HP9200121 | COW'G, air duct L | 1 | |
| 9 | 94661HP9200121 | COW'G, air duct R | 1 | |
| 10 | 94441HP92000BK | COW'G, body center lower (BLACK) | 1 | |
| 10 | 94441HP92000DR | COW'G, body center lower (RED/BLACK) | 1 | |
| | | | | |
| | | | | |

COW'G BODY (S,R)

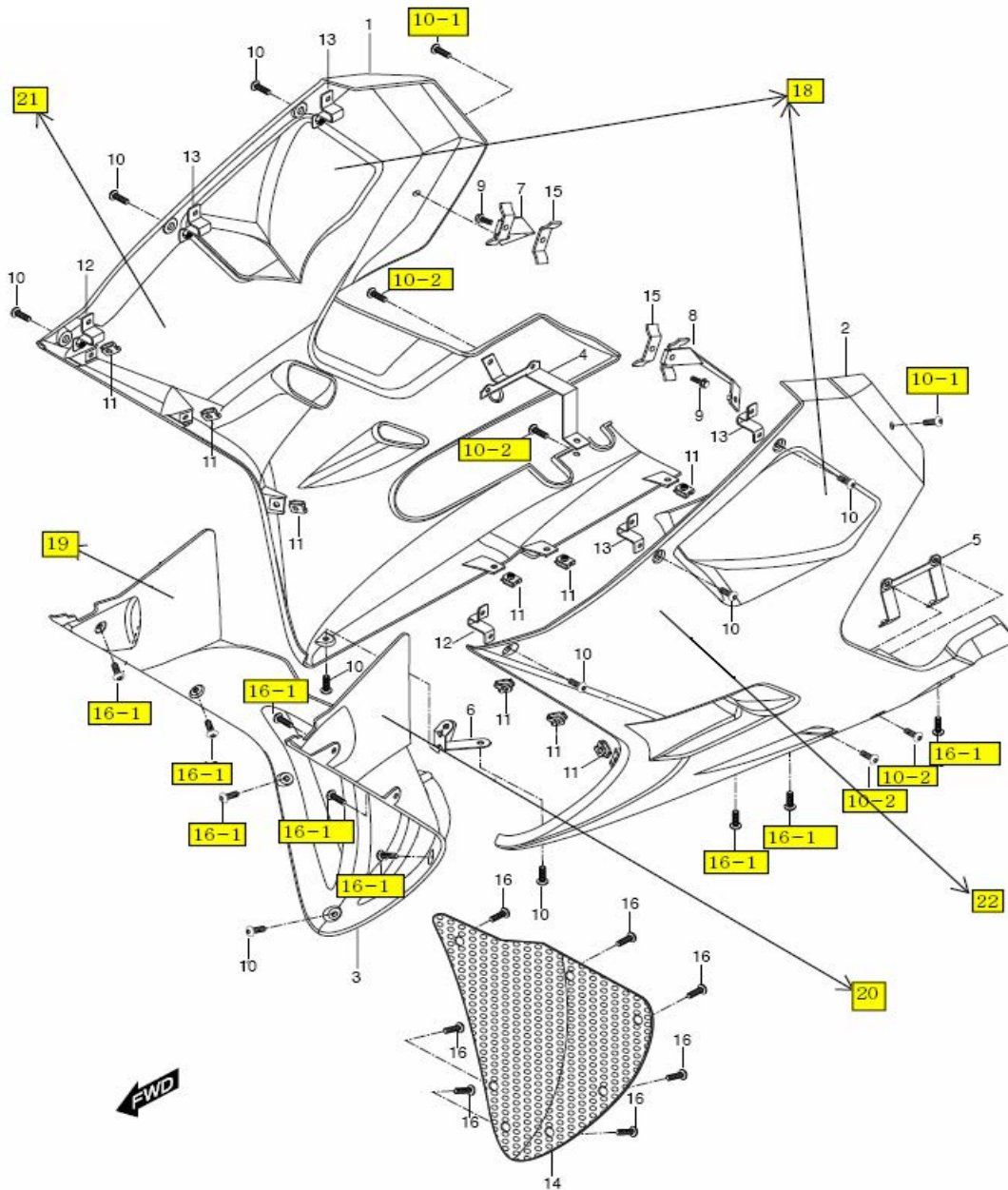




COW'G BODY (S,R)

| Ref # | Part # | Description | Quantity | Remarks |
|-------|-------------|--|----------|---------------|
| 11 | 94510HP9202 | BRACE, cowling | 1 | |
| 12 | 03241-05125 | BOLT, meter panel & body side cow R/L | 8 | |
| 13 | 09103H08254 | BOLT, brace comp & frame head pipe | 2 | |
| 14 | 09180H06208 | SPACER, body side cow R/L & brace comp | 4 | |
| 15 | 09320-09034 | CUSHION, body side cow R/L & brace comp | 4 | |
| 16 | 09136-06113 | BOLT, body side COW'G R/L & brace comp | 4 | |
| 17 | 09180H06208 | SPACER, body side COW'G R/L & frame | 2 | |
| 18 | 09320-09034 | CUSHION, body side COW'G R/L & frame | 2 | |
| 19 | 09136-06113 | BOLT, body side COW'G R/L & frame | 4 | |
| 20 | 09320-07012 | CUSHION, windscreen & body side COW'G up | 6 | |
| 21 | 09106H05150 | BOLT, windscreen & body side COW'G up | 6 | |
| 22 | 09148-05004 | NUT, body side COW'G R/L & meter panel | 8 | |
| 23 | 03241-05106 | SCREW, side COW'G & lower COW'G | 8 | "S" TYPE ONLY |
| 24 | 09148-05004 | NUT, lower COW'G ctr & body side COW'G R/L | 1 | |
| 25 | 03241-05125 | SCREW, lower COW'G ctr & body side COW'G R/L | 1 | |
| 26 | 09148-06020 | NUT, body side COW'G R/L & brace comp | 4 | |
| 27 | 94425HP9200 | PLATE, body side COW'G & lower COW'G No.2 L | 1 | "S" TYPE ONLY |
| 28 | 94425HP9200 | PLATE, body side COW'G & lower COW'G No.2 R | 1 | "S" TYPE ONLY |
| 29 | 08316-26055 | NUT, windscreen & body side COW'G up | 6 | |
| 30 | 03211-05166 | SCREW, lower COW'G & body side COW'G R/L | 4 | |
| 31 | 08313-11088 | NUT, brace comp & frame head pipe | 2 | |
| 32 | 03241-04128 | SCREW, body side cowling & air duct COW'G | 6 | |
| 33 | 09106H06150 | BOLT | 2 | |
| 34 | 09148-06020 | NUT | 2 | |
| 35 | 09169-05018 | WASHER, Windscreen | 6 | |
| 36 | 94454HP9400 | CUSHION, Upper Cowling R | 1 | |
| 37 | 94455HP9400 | CUSHION, Upper Cowling L | 1 | |

COW'G BODY (R TYPE ONLY)

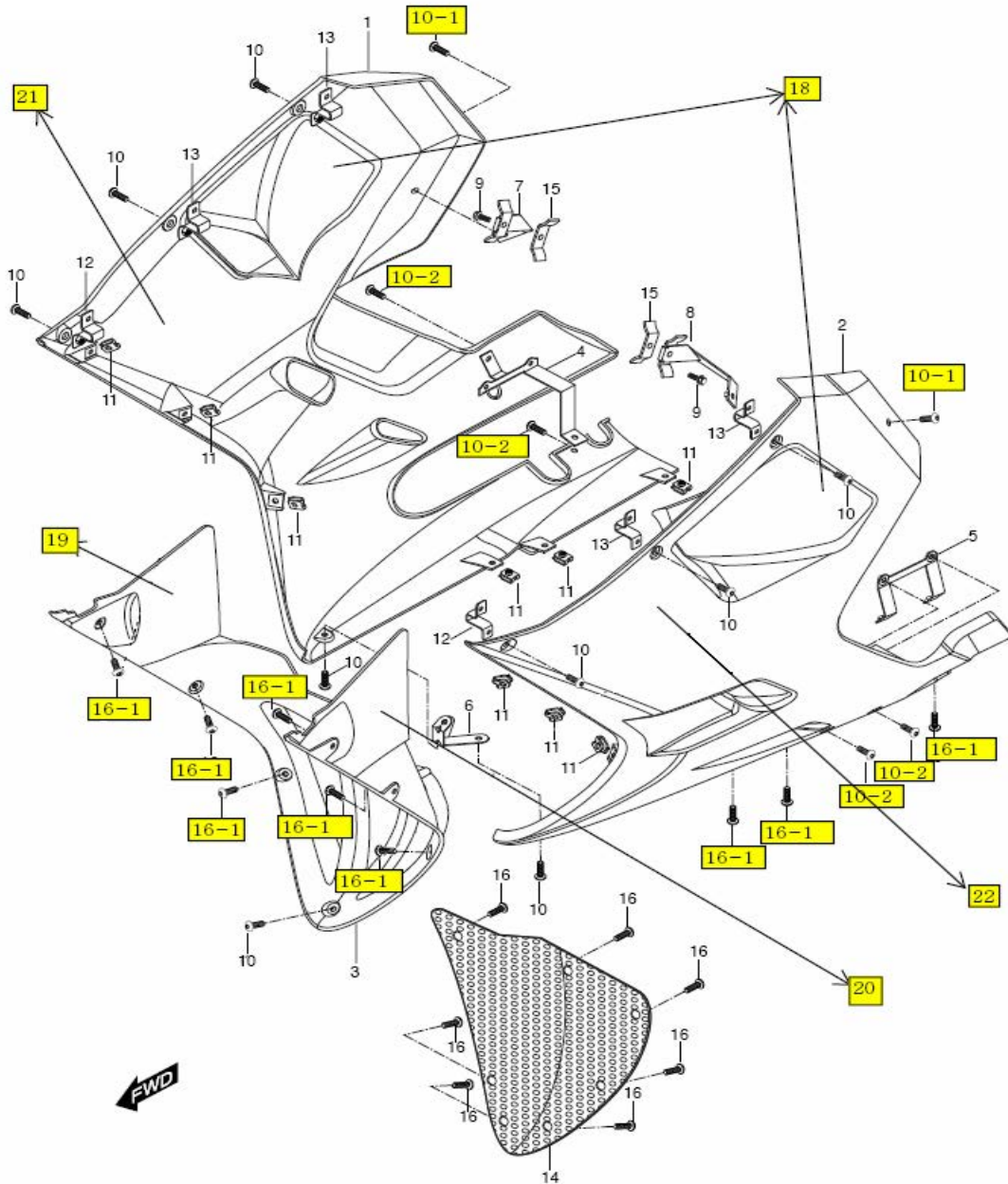




COW'G BODY (R TYPE ONLY)

| Ref # | Part # | Description | Quantity | Remarks |
|-------|----------------|-------------------------------------|----------|--------------------------|
| 0 | 94409HP9450 | UNDER COW'G SET (BLACK) | 1 | Not for Sale |
| 0 | 94409HP9450RB | UNDER COW'G SET (RED/BLACK) | 1 | Not for Sale |
| 1 | 94432SR91600BK | COW'G, under RH (BLACK) | 1 | w/ gray & white stickers |
| 1 | 94432SR91610BK | COW'G, under RH (RED/BLACK) | 1 | w/ red & white stickers |
| 2 | 94433SR91600BK | COW'G, under LH (BLACK) | 1 | w/ gray & white stickers |
| 2 | 94433SR91610BK | COW'G, under LH (RED/BLACK) | 1 | w/ red & white stickers |
| 3 | 94431HP94000BK | COW'G, under center (BLACK) | 1 | |
| 4 | 94434HP9402 | PLATE, under COW'G RH | 1 | |
| 5 | 94435HP9401 | PLATE, under COW'G LH | 1 | |
| 6 | 94436HP9401 | PLATE, under center COW'G | 1 | |
| 7 | 94478HP9400 | PLATE COMP, under COW'G upper RH | 1 | |
| 8 | 94479HP9400 | PLATE COMP, under COW'G upper LH | 1 | |
| 9 | 01134-06306 | BOLT, body under COW'G & frame | 2 | |
| 10 | 09106H05150 | BOLT, body under COW'G R/L | 11 | |
| 10-1 | 09136-06113 | BOLT | 2 | |
| 10-2 | 09106H06150 | BOLT | 4 | |
| 11 | 09148-05004 | NUT, under COW'G | 9 | |
| 12 | 94425HP9401 | PLATE, body COW'G side lower | 2 | |
| 13 | 94426HP9401 | PLATE, body COW'G side | 4 | |
| 14 | 94439HP9400120 | GRILL, under center COW'G | 1 | |
| 15 | 94417HP9201 | PLATE COMP, frame & body COW'G No.2 | 2 | |
| 16 | 03151-05125 | SCREW, side COW'G & lower cowl | 7 | |
| 16-1 | 03241-05125 | SCREW | 9 | |

COW'G BODY (R TYPE ONLY)

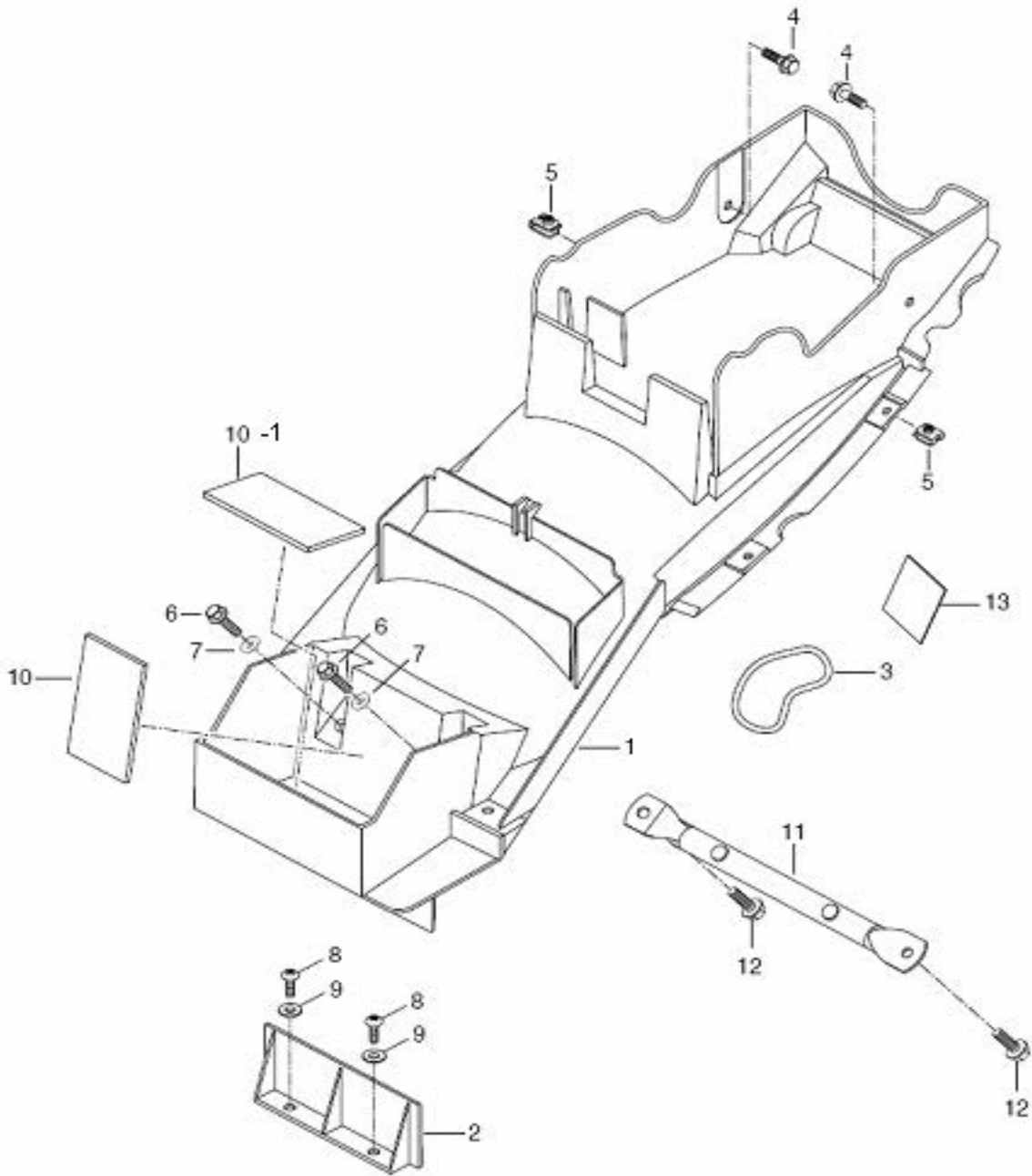




COW'G BODY (R TYPE ONLY)

| Ref # | Part # | Description | Quantity | Remarks |
|-------|-------------|-----------------------------|----------|---------|
| 18 | 94453HP9400 | CUSHION, Under Cow'g Side L | 2 | |
| 19 | 94456HP9400 | CUSHION, Under Cent Cow'g R | 1 | |
| 20 | 94457HP9400 | CUSHION, Under Cent Cow'g L | 1 | |
| 21 | 94458HP9400 | CUSHION, Under Cowling R | 1 | |
| 22 | 94459HP9400 | CUSHION, Under Cowling L | 1 | |

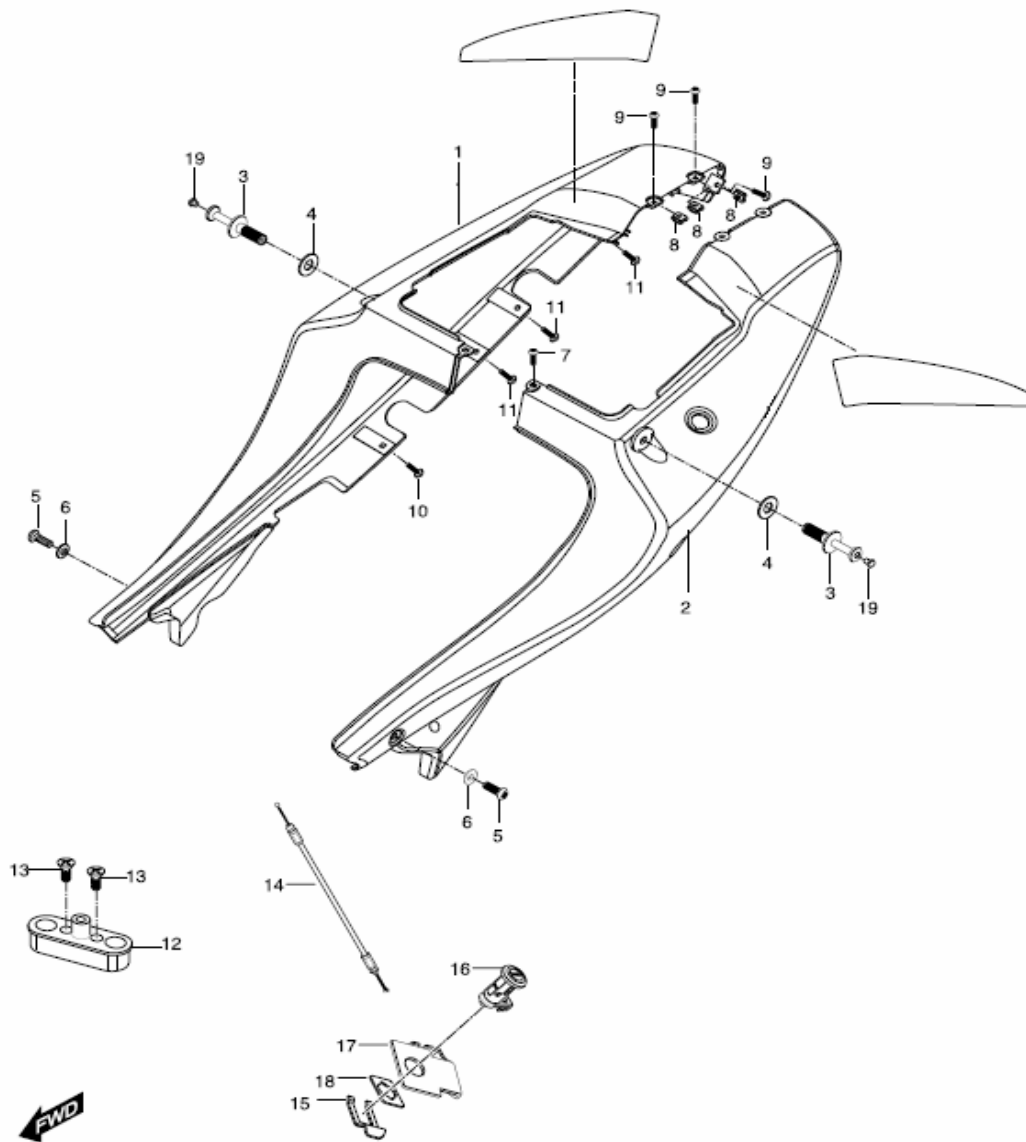
REAR FENDER



**REAR FENDER**

| Ref # | Part # | Description | Quantity | Remarks |
|-------|----------------|--|----------|-------------------|
| 1 | 63112HM810212A | FENDER, rear front | | |
| 1-1 | 63112HM810412A | FENDER, rear front | 1 | |
| 2 | 63113HM810112A | FENDER, rear lower | 1 | |
| 3 | 09280-63003 | BAND, tool | 1 | |
| 4 | 09111H06066 | BOLT, rr fender ft up | 2 | |
| 5 | 09148-05039 | NUT, rr fender ft | 2 | |
| 6 | 01517-06166 | BOLT, rr fender ft & frame side tube | 2 | |
| 7 | 09169-06032 | WASHER, rr fender ft & frame side tube | 2 | |
| 8 | 02142-06166 | SCREW, rr fender lower | 2 | |
| 9 | 09169-06032 | WASHER, rr fender lower | 2 | |
| 10 | 41589HG5900 | CUSHION, RR FEN FT & BATTERY | 1 | |
| 10-1 | 41589HR9700 | CUSHION, RR FEN FT & BATTERY | 1 | |
| 11 | 63120HM810003P | TUBE COMP, RR fender FT & frm side | 1 | |
| 11-1 | 63120HM810103P | TUBE COMP, RR fender FT & frm side | 1 | |
| 12 | 01517-08168 | BOLT, frm side tube | 2 | |
| 13 | 63115HN9101 | TAPE, RR fender FT | 1 | |
| 14 | 68350HM8150PL | LABEL, caution NO.1 | 1 | |
| 14-1 | | LABEL, caution NO.1 | 1 | |
| 14-2 | | LABEL, caution NO.1 | 1 | |
| | 02142-04088 | BOLT, REAR FENDER FT | 2 | ADDED IN 2006-MAY |

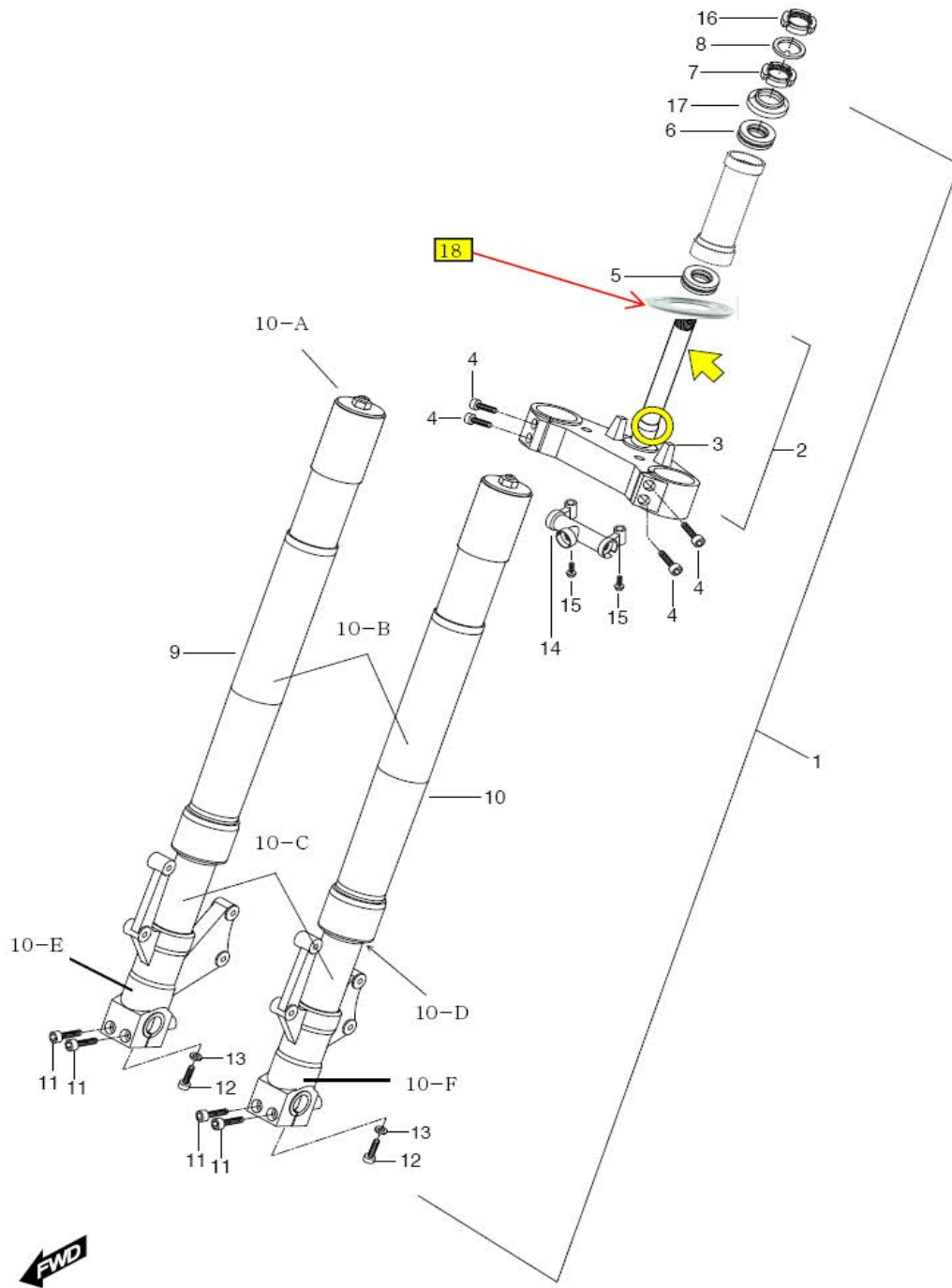
SIDE COVER



**SIDE COVER**

| Ref # | Part # | Description | Quantity | Remarks |
|-------|----------------|-----------------------------------|----------|----------|
| 1 | 47111HR91A00BK | COVER, side RH (BLACK) | 1 | V2S 650 |
| 1 | 47111HR91600BK | COVER, side RH (BLACK) | 1 | V2S 650R |
| 2 | 47211HR91A00BK | COVER, side LH (BLACK) | 1 | V2S 650 |
| 2 | 47211HR91600BK | COVER, side LH (BLACK) | 1 | V2S 650R |
| 3 | 47113HM8101 | BOLT, luggage support | 2 | |
| 4 | 08322-11088 | WASHER, luggage bolt & frm side | 2 | |
| 5 | 02142-06165 | SCREW, frm side front | 2 | |
| 6 | 09169-06034 | WASHER, frm side front | 2 | |
| 7 | 02142-06165 | SCREW, frm side center | 1 | |
| 8 | 09148H05029 | NUT, frm side rear up | 3 | |
| 9 | 02142-05125 | SCREW, frm side rear up | 3 | |
| 10 | 02142-06165 | SCREW, frm side low & frm | 2 | |
| 11 | 02142-05165 | SCREW, frm side low & rear fender | 6 | |
| 12 | 45220HM8100 | LOCK ASS'Y, seat striker rear | 1 | |
| 13 | 02122-06308 | SCREW, seat striker | 2 | |
| 14 | 45280-35C00 | CABLE COMP, seat lock | 1 | |
| 15 | 92414HF4500 | LOCK, key set & seat lock guide | 1 | |
| 16 | 45700HG2630 | LOCK ASS'Y, seat | 1 | |
| 17 | 45381HG2601 | GUIDE, seat lock cable | 1 | |
| 18 | 92413HF4501 | WASHER, key set & seat lock guide | 1 | |
| 19 | 47115HN9100 | CAP, luggage support bolt | 2 | |

FRONT FORK

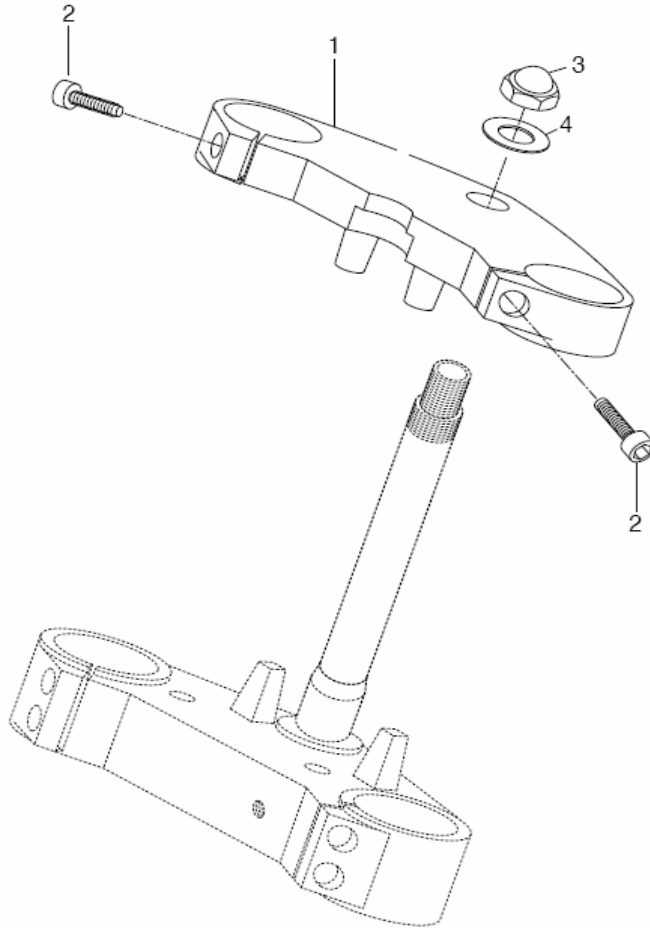




FRONT FORK

| Ref # | Part # | Description | Quantity | Remarks |
|-------|----------------|--------------------------------|----------|---------------------|
| 1 | 51100HP9200HPA | FORK ASS'Y, front | 1 | ~ KM4MP51A341100140 |
| 2 | 51410HP9200HPA | BRACKET COMP, front fork under | 1 | |
| 3 | 51411HP9201 | BRACKET, front fork under | 1 | KM4MP51B261100952~ |
| 3~0 | 51411HP9204 | BRACKET, front fork under | 1 | |
| 3-1 | 51412HM8102 | STEER'G STEM | 1 | Not for Sale |
| 3-2 | 51413HM8100 | STOPPER, ft fork under | 1 | Not for Sale |
| 4 | 07110-08258 | BOLT, front fork under bracket | 4 | |
| 5 | 09265H25001 | BEARING, steering lower | 1 | |
| 6 | 09265H28001 | BEARING, steering upper | 1 | |
| 7 | 51631-28000 | NUT, steering stem | 1 | |
| 8 | 09166H25001 | WASHER, steering stem | 1 | |
| 9 | 51210HP9200 | DAMPER ASS'Y, front fork R | 1 | ~ KM4MP51A341100140 |
| 10 | 51220HP9200 | DAMPER ASS'Y, front fork L | 1 | ~ KM4MP51A341100140 |
| 10-A | 52120HN9100 | CAP, OUTER TUBE | 2 | |
| 10-B | 52210-N9100 | FORK, upper case | 2 | |
| 10-C | 52110-N9100 | FORK, pipe | 2 | |
| 10-D | 51255HG5800 | FORK, oil seal | 2 | |
| 10-E | 52280HM8104C10 | BOTTOM BLOCK RH | 1 | |
| 10-F | 52270HM8104C10 | BOTTOM BLOCK LH | 1 | |
| 11 | 09106H08458 | BOLT, axle grip | 4 | |
| 12 | 07110-08258 | BOLT, fork clip | 2 | |
| 13 | 90544H93B00 | WASHER, spacer | 2 | |
| 14 | 51511HN9101 | JOINT, front brake hose | 1 | |
| 15 | 01517-06308 | BOLT, front brake hose joint | 2 | |
| 16 | 51631HN9100 | NUT, steering stem upper | 1 | |
| 17 | 51643HG5801 | DUST SEAL, steering upper | 1 | |
| 18 | 09164H28001 | WASHER, PROTECTOR | 1 | KM4MP52BX61100079~ |

STEERING HEAD (HANDLE LOW)

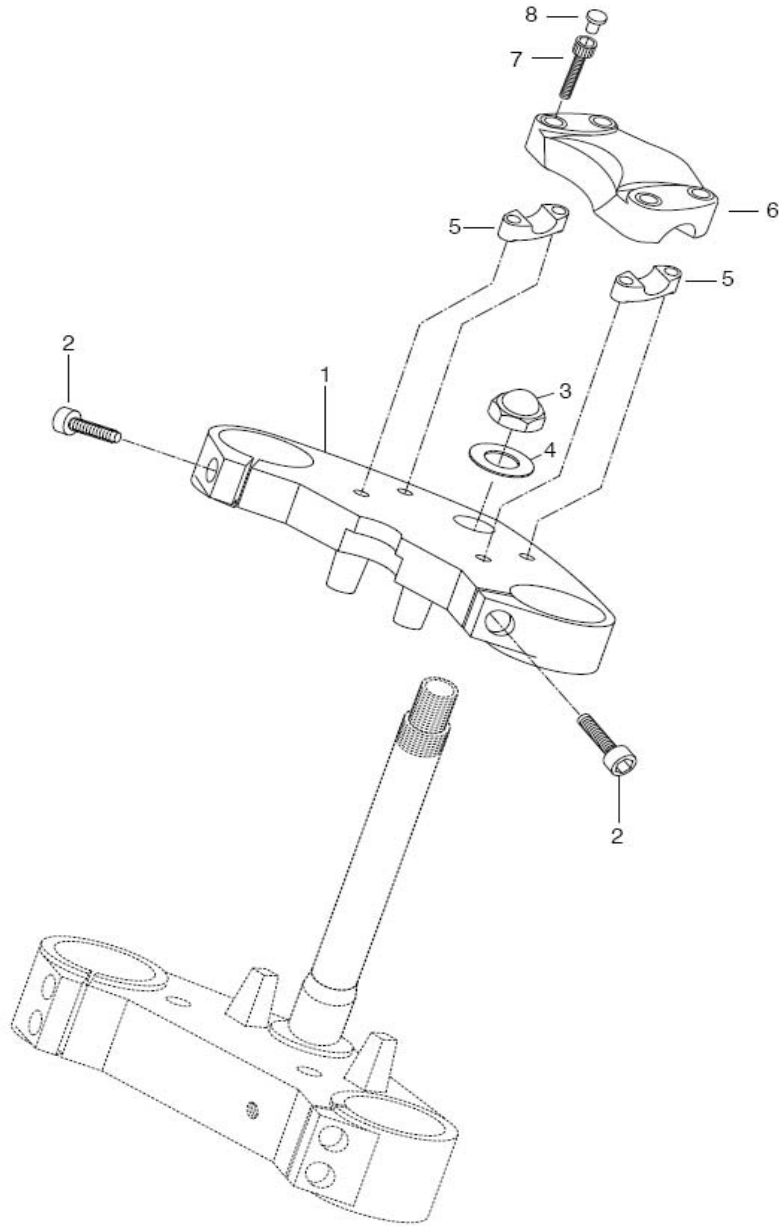




STEERING HEAD (HANDLE LOW)

| Ref # | Part # | Description | Quantity | Remarks |
|-------|----------------|--------------------------------|----------|---------|
| 1 | 51311HP940003P | BRACKET, front fork upper | 1 | |
| 2 | 07110-08258 | BOLT, front fork upper bracket | 2 | |
| 3 | 09159H22002 | NUT, str upper | 1 | |
| 4 | 09160H22032 | WASHER, str upper | 1 | |

STEERING HEAD (HANDLE HIGH)

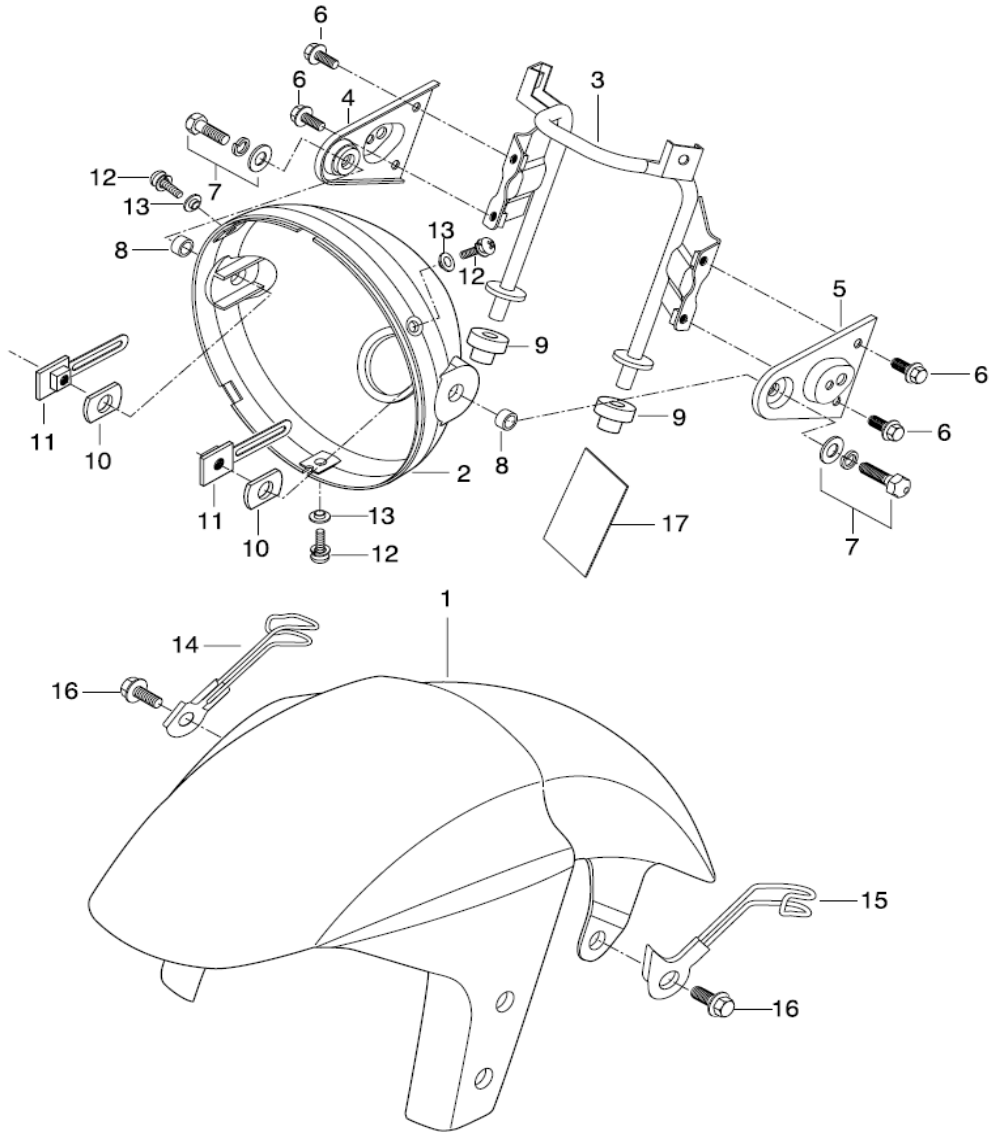




STEERING HEAD (HANDLE HIGH)

| Ref # | Part # | Description | Quantity | Remarks |
|-------|----------------|--------------------------------|----------|---------|
| 1 | 51311HM810403P | BRACKET FRONT FORK UPPER | 1 | |
| 2 | 07110-08258 | BOLT, front fork upper bracket | 2 | |
| 3 | 09159H22002 | NUT, str upper | 1 | |
| 4 | 09160H22032 | WASHER, str upper | 1 | |
| 5 | 56211-35C00 | HOLDER, handle bar | 2 | |
| 6 | 56171HF4601 | COVER, steering head | 1 | |
| 7 | 09106H08458 | BOLT, handle holder upper | 4 | |
| 8 | 56222HG5100 | CAP, handle holder upper bolt | 4 | |

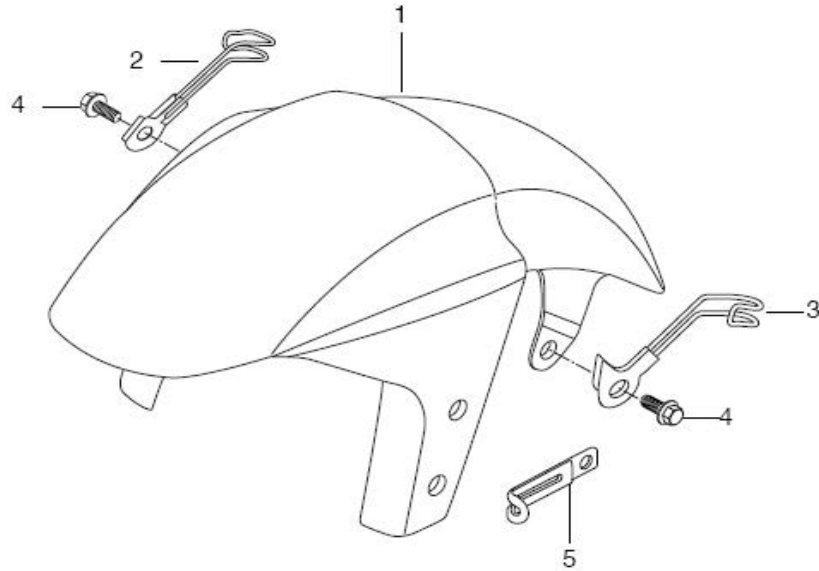
HEAD LAMP & FRONT FENDER (V2S 650)



**HEAD LAMP & FRONT FENDER (V2S 650)**

| Ref # | Part # | Description | Quantity | Remarks |
|-------|----------------|----------------------------------|----------|---------|
| 1 | 53110HM81800BK | FENDER, front (BLACK) | 1 | |
| 2 | 51811HM8101PAM | HOUSING, headlamp | 1 | |
| 3 | 51550HM8100 | BRACE COMP, headlamp housing | 1 | |
| 4 | 51540HM8100PLA | BRKT COMP, headlamp housing R | 1 | |
| 5 | 51530HM8100PLA | BRKT COMP, headlamp housing L | 1 | |
| 6 | 01517-06128 | BOLT, plate headlamp | 4 | |
| 7 | 01284-08258 | BOLT, headlamp housing | 2 | |
| 8 | 09180-08092 | SPACER, headlamp housing | 2 | |
| 9 | 09320-10020 | CUSHION, under brkt & headlamp h | 2 | |
| 10 | 09329-12002 | CUSHION, headlamp housing | 2 | |
| 11 | 51820-45000 | PLATE COMP, headlamp housing | 2 | |
| 12 | 02112-95208 | SCREW, housing & headlamp | 3 | |
| 14 | 59430HN9100 | CLAMP COMP, front brake hose R | 1 | |
| 15 | 59440HN9100 | CLAMP COMP, front brake hose L | 1 | |
| 16 | 01517-08126 | BOLT, front brake hose clamp R/L | 2 | |
| 17 | 51815HN9100 | TAPE, head lamp housing LH | 1 | |

FRONT FENDER (V2S 650 R/S)

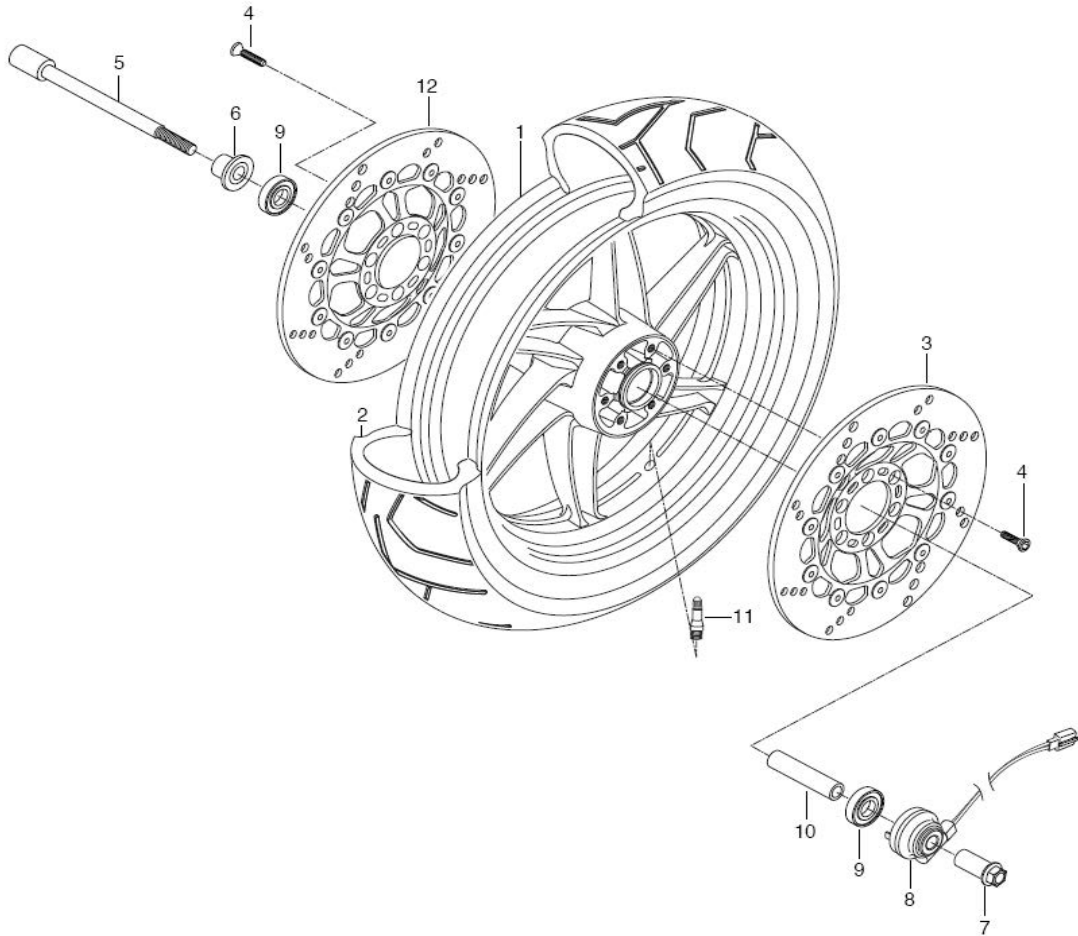




FRONT FENDER (V2S 650 R/S)

| Ref # | Part # | Description | Quantity | Remarks |
|-------|----------------|----------------------------------|----------|---------|
| 1 | 53110HM81800BK | FENDER, front (BLACK) | 1 | |
| 2 | 59430HN9100 | CLAMP COMP, front brake hose R | 1 | |
| 3 | 59440HN9100 | CLAMP COMP, front brake hose L | 1 | |
| 4 | 01517-08126 | BOLT, front brake hose clamp R/L | 2 | |
| 5 | 09404-08403 | CLAMP, speed sensor | 1 | |

FRONT WHEEL



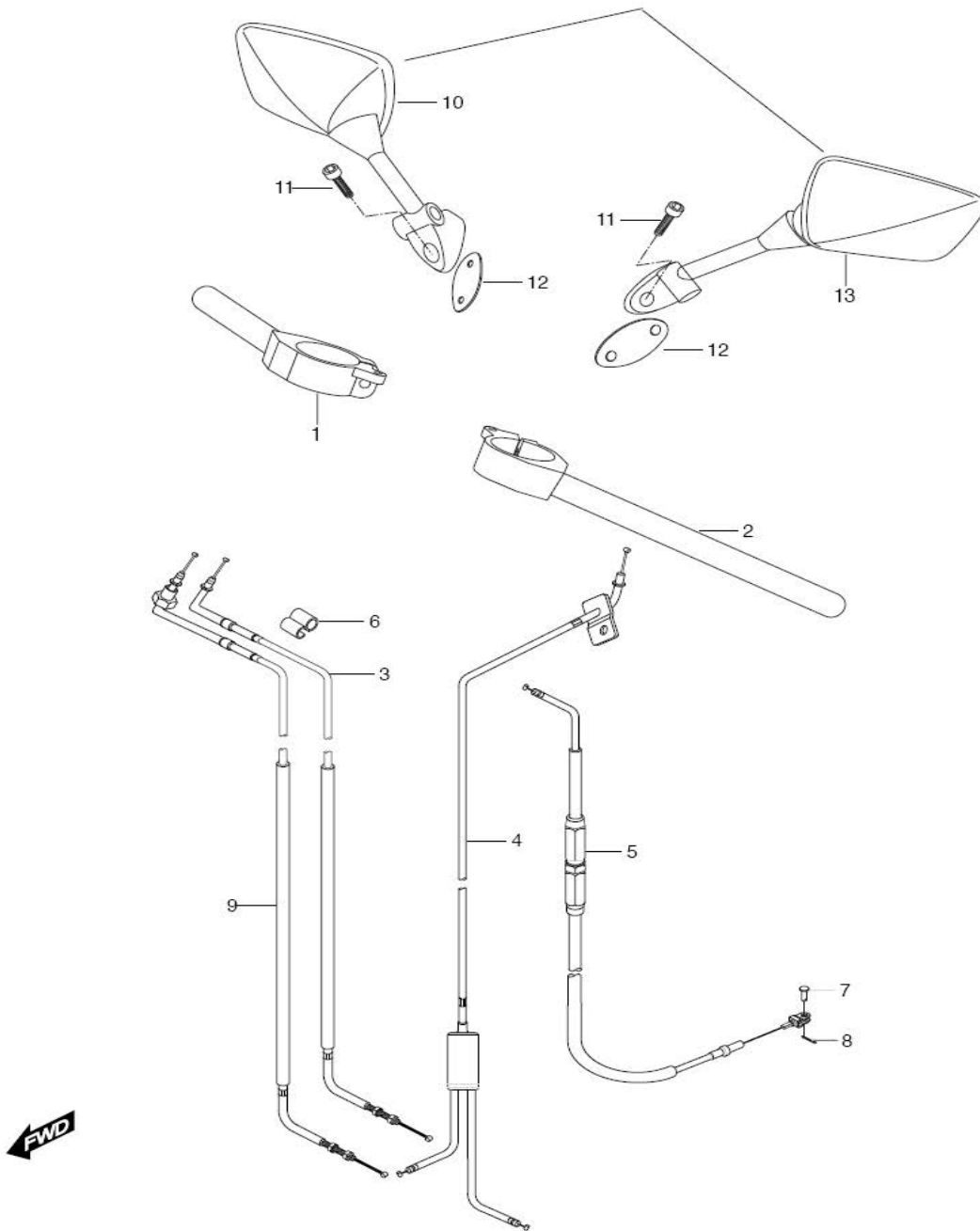


FRONT WHEEL

| Ref # | Part # | Description | Quantity | Remarks |
|-------|----------------|----------------------------------|----------|----------------------------|
| 1 | 54141HM8102 | WHEEL, front (J17xMT3.0)(Silver) | 1 | |
| 1-1 | 54141HM8102120 | WHEEL, front (J17xMT3.0)(Black) | 1 | V2S-650S:KM4MP51B161100909 |
| 1-2 | | WHEEL + BEARING | 1 | V2S-650R:KM4MP51C161101504 |
| 2 | 55100HN9101 | TIRE COMP, front (120/60-17 55W) | 1 | |
| 3 | 59211HM8100 | DISC COMP, front L | 1 | |
| 3~1 | 59211HM8101 | DISC COMP, front L | 1 | From 2006-April |
| 4 | 59421-03A01 | BOLT, front brake disc | 12 | |
| 5 | 54711HG5101 | AXLE, front | 1 | |
| 6 | 54740HM8101 | SPACER COMP, front axle R | 1 | |
| 7 | 54721HM8100 | NUT, front axle | 1 | |
| 8 | 34860HP9201 | SENSOR ASSY, speedometer | 1 | V2S 650R |
| 8-1 | 54600HG5102 | BOX SP/METER GR | 1 | V2S 650 |
| 9 | 08124-63027 | BEARING, front hub | 2 | |
| 10 | 54731HM8100 | SPACER, front hub | 1 | |
| 11 | 55220-41D10 | VALVE ASS'Y, wheel rim | 1 | |
| 12 | 59221HM8160 | DISC COMP, F/T R | 1 | |
| 12~1 | 59221HM8161 | DISC COMP, F/T R | 1 | From 2006-April |

HANDLE BAR (LOW)

SET PART NUMBER
56501HP9200

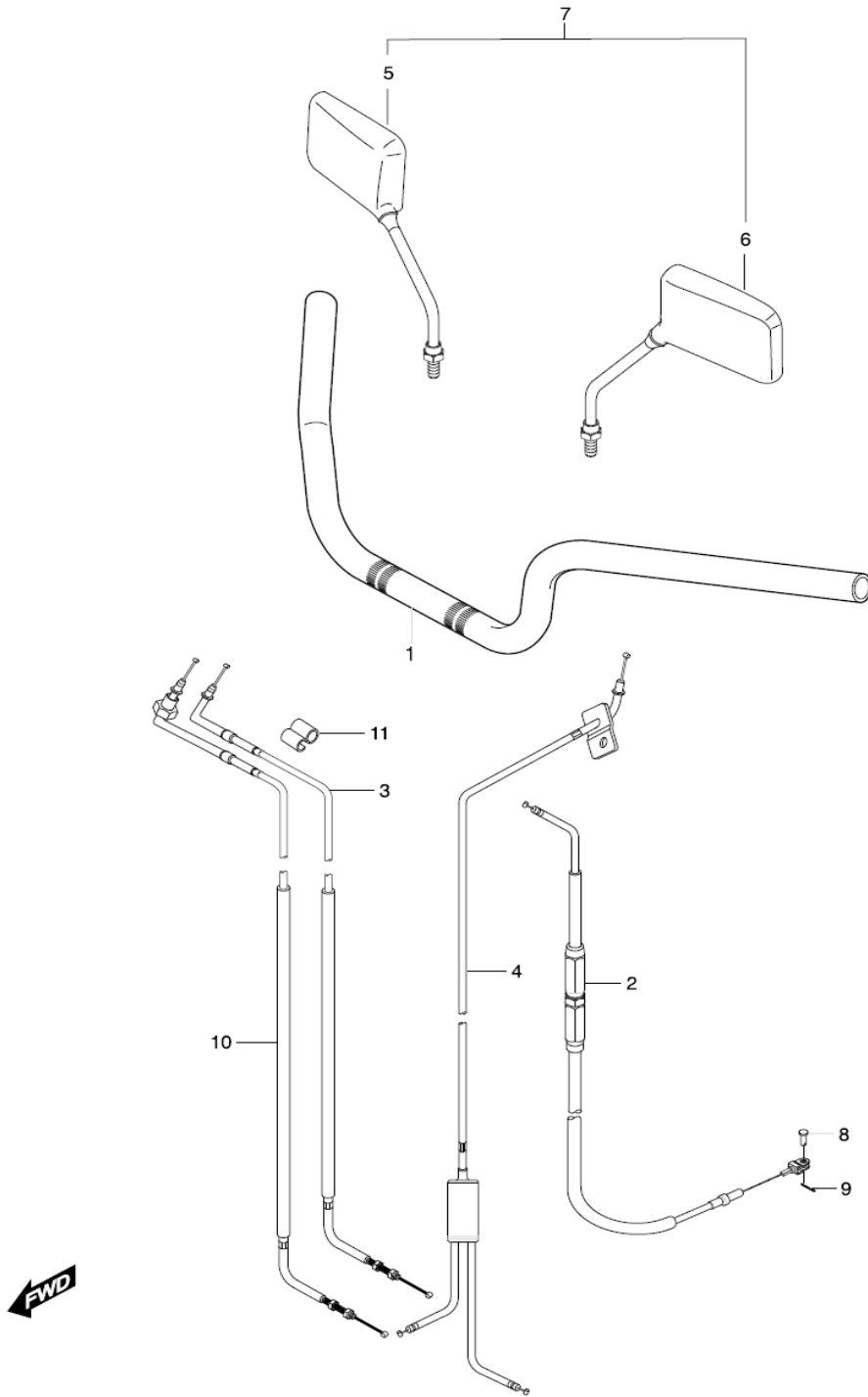




HANDLE BAR (LOW)

| Ref # | Part # | Description | Quantity | Remarks |
|-------|-------------|------------------------------|----------|--------------------|
| 1 | 56110HP9203 | HANDLE BAR COMP, RH | 1 | |
| 2 | 56120HP9204 | HANDLE BAR COMP, LH | 1 | |
| 3 | 58300HP9201 | CABLE ASS'Y, throttle | 1 | ~KM4MP51A341100140 |
| 4 | 58410HP9203 | CABLE COMP, starter | 1 | KM4MP51A341100141~ |
| 5 | 58200HP9203 | CABLE ASS'Y clutch | 1 | |
| 6 | 09408-00002 | CLIP, cable | 1 | |
| 7 | 09200-06004 | PIN, clutch | 1 | |
| 8 | 04111-20158 | COTTER PIN, clutch | 1 | |
| 9 | 58600HP9201 | CABLE ASS'Y, throttle return | 1 | Improved July 2006 |
| 10 | 56500HP9200 | MIRROR ASS'Y, rear view R | 1 | |
| 11 | 07110-06208 | CABLE ASS'Y, throttle return | 1 | |
| 12 | 56503HP9200 | CUSHION, rear view mirror | 1 | |
| 13 | 56600HP9200 | MIRROR ASS'Y, rear view L | | |
| | 56501HP9260 | MIRROR SET | 1 | right and left |

HANDLE BAR (HIGH)

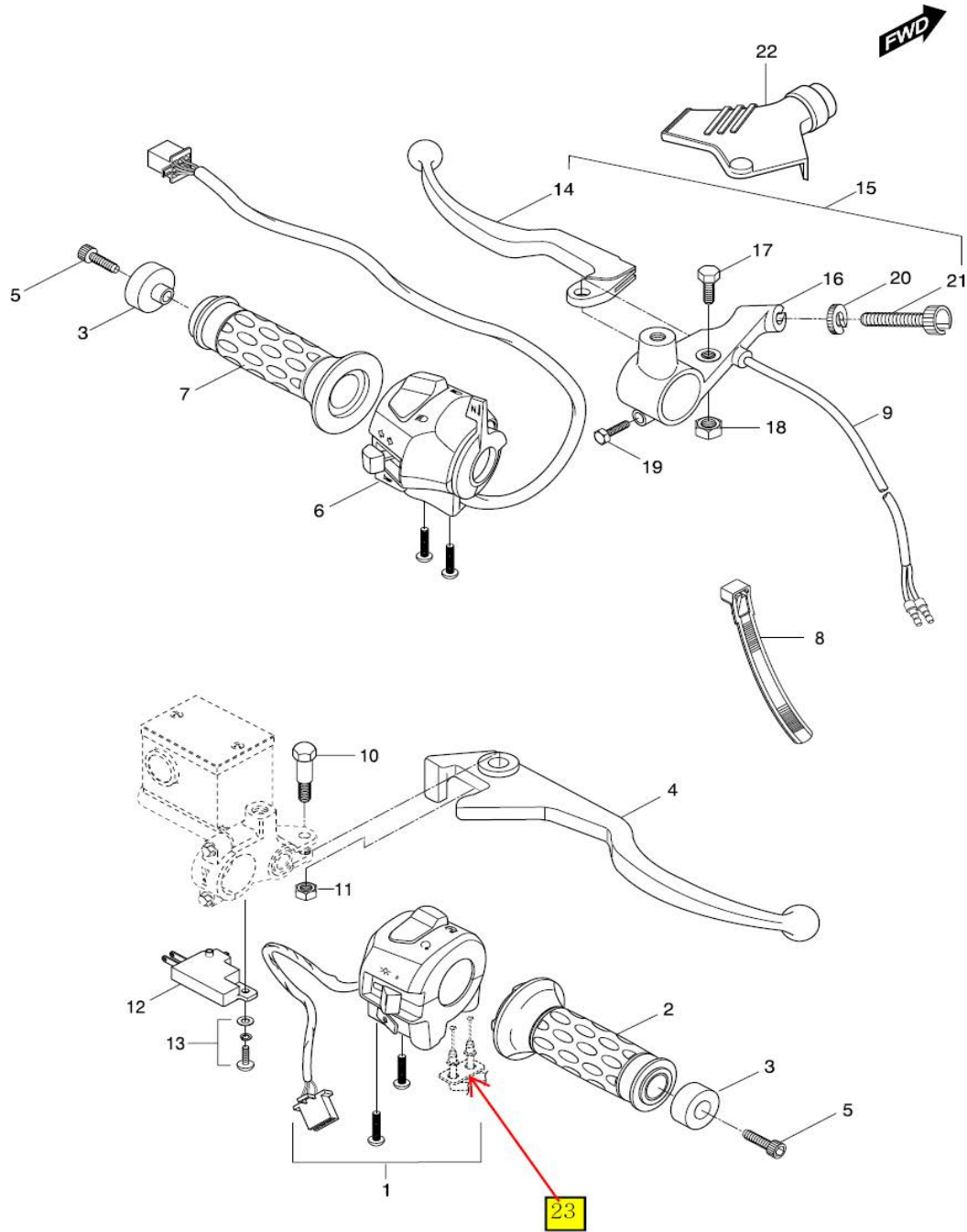




HANDLE BAR (HIGH)

| Ref # | Part # | Description | Quantity | Remarks |
|-------|-------------|-------------------------------------|----------|---------|
| 1 | 56110HN9102 | HANDLE BAR COMP | 1 | |
| 2 | 58200HN9104 | CABLE ASS'Y CLUTCH | 1 | |
| 3 | 58300HN9103 | CABLE ASS'Y, throttle | 1 | |
| 4 | 58410HN9103 | CABLE COMP, starter | 1 | |
| 5 | 56500HN9100 | MIRROR ASS'Y, rear view R | 1 | |
| 6 | 56600HN9100 | MIRROR ASS'Y, rear view L | 1 | |
| 7 | 56501HN9100 | MIRROR SET | 1 | |
| 8 | 09200-06004 | PIN, clutch cable | 1 | |
| 9 | 04111-20158 | COTTER PIN, clutch | 1 | |
| 10 | 58600HN9103 | CABLE ASS'Y, throttle return | 1 | |
| 11 | 09408-00002 | CLIP, throttle cable & return cable | 1 | |

HANDLE SWITCH (V2S 650 & S)

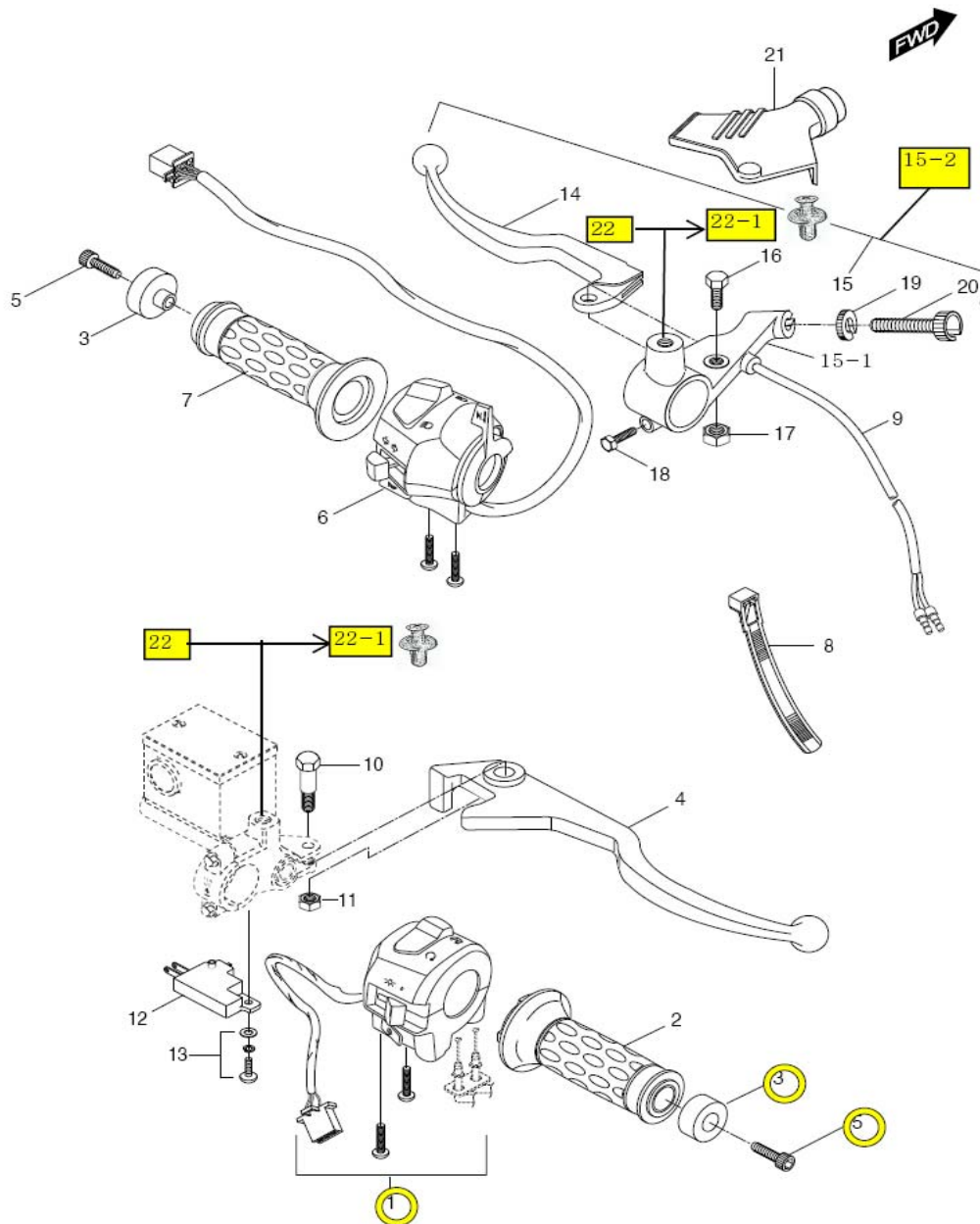




HANDLE SWITCH (V2S 650 & S)

| Ref # | Part # | Description | Quantity | Remarks |
|-------|----------------|------------------------------|----------|---------|
| 1 | 37200HN9100 | SWITCH ASS'Y, handle R | 1 | |
| 2 | 57110HG5803 | GRIP COMP, throttle | 1 | |
| 3 | 56271HF4501PLA | BALANCER, handlebar | 2 | |
| 4 | 57421-13001 | LEVER, brake | 1 | |
| 4-1 | 57421HN9100 | LEVER, brake | 1 | |
| 4-2 | 57300HN9102 | LEVER, brake | 1 | |
| 5 | 07110-08208 | BOLT, handle balancer | 2 | |
| 6 | 37400HN9100 | SWITCH ASS'Y, handle L | 1 | |
| 7 | 57211HG5800 | GRIP, L | 1 | |
| 8 | 09407-14403 | CLAMP, handle switch harness | 2 | |
| 9 | 57460HJ8250 | SWITCH ASS'Y, clutch | 1 | |
| 10 | 57431H05D00 | BOLT, brake lever pivot | 1 | |
| 11 | 08319-21065 | NUT, brake lever pivot | 1 | |
| 12 | 57460-17C00 | SWITCH ASS'Y, stop | 1 | |
| 13 | 02112-74108 | SCREW, stop switch | 1 | |
| 14 | 57620HN9100 | LEVER COMP, clutch | 1 | |
| 14-A | 57620HN9101 | LEVER COMP, clutch | 1 | |
| 15 | 57500HN9100 | LEVER ASS'Y, clutch | 1 | |
| 15-A | 57500HN9101 | LEVER ASS'Y, clutch | 1 | |
| 15-B | 57500HN9102 | LEVER ASS'Y, clutch | 1 | |
| 16 | 57511HM8100 | HOLDER, clutch lever | 1 | |
| 16-A | 57511HN9100 | HOLDER, clutch lever | 1 | |
| 16-B | 57511HN9101 | HOLDER, clutch lever | 1 | |
| 17 | 57431HG5800 | BOLT SET, clutch lever pivot | 1 | |
| 18 | 08319-21065 | NUT, clutch lever pivot | 1 | |
| 19 | 57451HG5800 | BOLT, clutch lever holder | 1 | |
| 20 | 57442H93B00 | LOCK NUT | 1 | |
| 21 | 57441H93B00 | ADJUSTER, wire | 1 | |
| 22 | 57661HJ8200 | COVER, clutch lever | 1 | |
| 22-1 | 57661HN9100 | COVER, clutch lever | 1 | |
| 23 | 37281HN3201 | BOSS, HANDLE SWITCH R | 1 | |

HANDLE SWITCH (V2S 650 R)

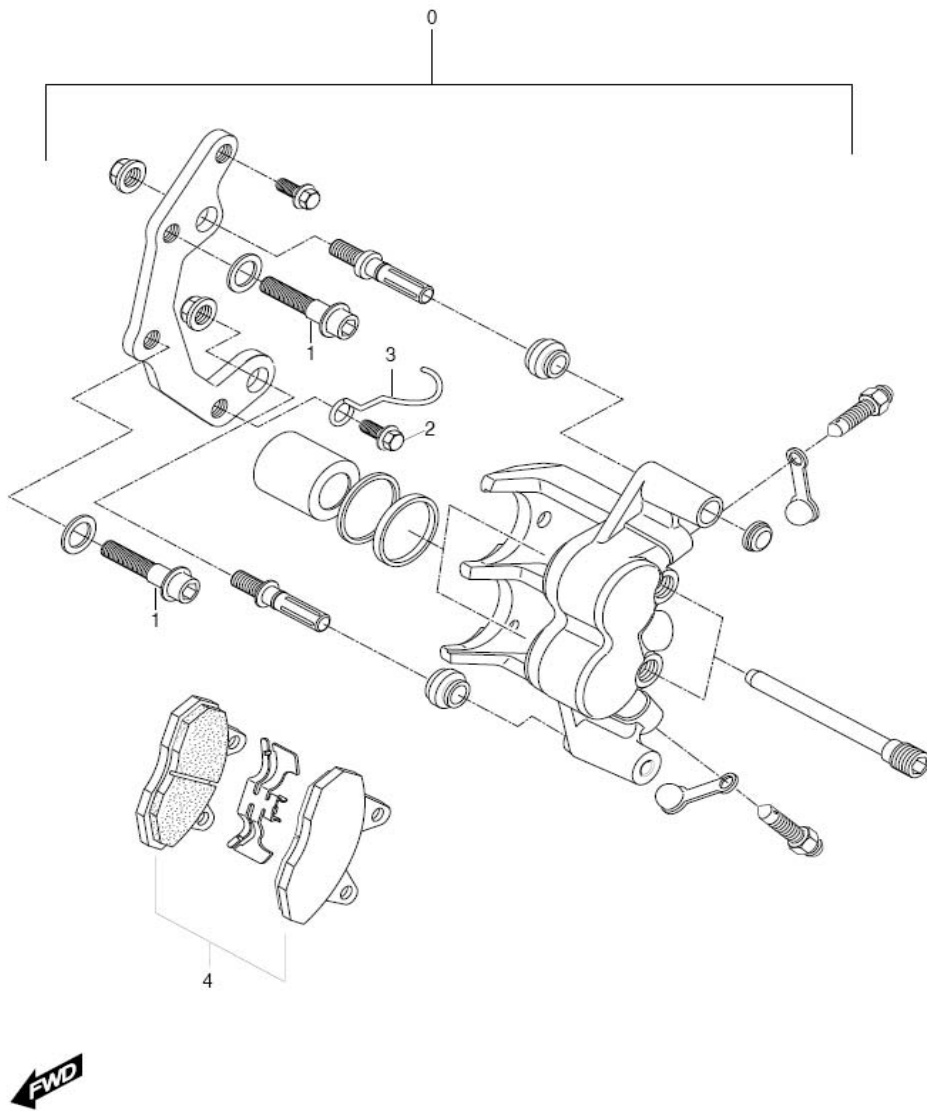




HANDLE SWITCH (V2S 650 R)

| Ref # | Part # | Description | Quantity | Remarks |
|--------|----------------|------------------------------|----------|---------------------|
| 1 | 37200HP9200 | SWITCH ASS'Y, handle R | 1 | |
| 2 | 57110HG5803 | GRIP COMP, throttle | 1 | |
| 3 | 56271HF4501PLA | BALANCER, handlebar | 2 | |
| 4 | 57421HN9100 | LEVER, brake | 1 | ~ KM4MP51A341100140 |
| 4-1 | 57300HN9102 | LEVER, brake | 1 | KM4MP51C961101458 |
| 5 | 07110-08208 | BOLT, handle balancer | 2 | |
| 6 | 37400HP9200 | SWITCH ASS'Y, handle L | 1 | |
| 7 | 57211HG5800 | GRIP, L | 1 | |
| 8 | 09407-14403 | CLAMP, handle switch harness | 2 | |
| 9 | 57460HJ8250 | SWITCH ASS'Y, clutch | 1 | |
| 10 | 57431H05D00 | BOLT, brake lever pivot | 1 | |
| 11 | 08319-21065 | NUT, brake lever pivot | 1 | |
| 12 | 57460-17C00 | SWITCH ASS'Y, stop | 1 | |
| 13 | 02112-74108 | SCREW, stop switch | 1 | |
| 14 | 57620HN9100 | LEVER COMP, clutch | 1 | |
| 14-A | 57620HN9101 | LEVER COMP, clutch | 1 | KM4MP51C661101921 |
| 15 | 57500HN9100 | LEVER ASS'Y, clutch | 1 | |
| 15-A | 57500HN9101 | LEVER ASS'Y, clutch | 1 | KM4MP51C961101458 |
| 15-B | 57500HN9102 | LEVER ASS'Y, clutch | 1 | KM4MP51C661101921 |
| 15-1 | 57511HM8100 | HOLDER, clutch lever | 1 | |
| 15-1-A | 57511HN9100 | HOLDER, clutch lever | 1 | KM4MP51C961101458 |
| 15-1-B | 57511HN9101 | HOLDER, clutch lever | 1 | KM4MP51C661101921 |
| 16 | 57431H93B00 | BOLT SET, clutch lever pivot | 1 | |
| 17 | 08319-21065 | NUT, clutch lever pivot | 1 | |
| 18 | 57451HG5800 | BOLT, clutch lever holder | 1 | |
| 19 | 57442H93B00 | LOCK NUT | 1 | |
| 20 | 57441H93B00 | ADJUSTER, wire | 1 | |
| 21 | 57661HJ8200 | COVER, clutch lever | 1 | |
| 22 | 56502HP9200 | SCRIVET | 2 | ~KM4MP51B861100906 |
| 22~1 | 09407-08307 | SCRIVET | 2 | KM4MP51B861100907~ |
| 23 | 37281HN3201 | BOSS, HANDLE SWITCH R | 1 | |

CALIPER LH

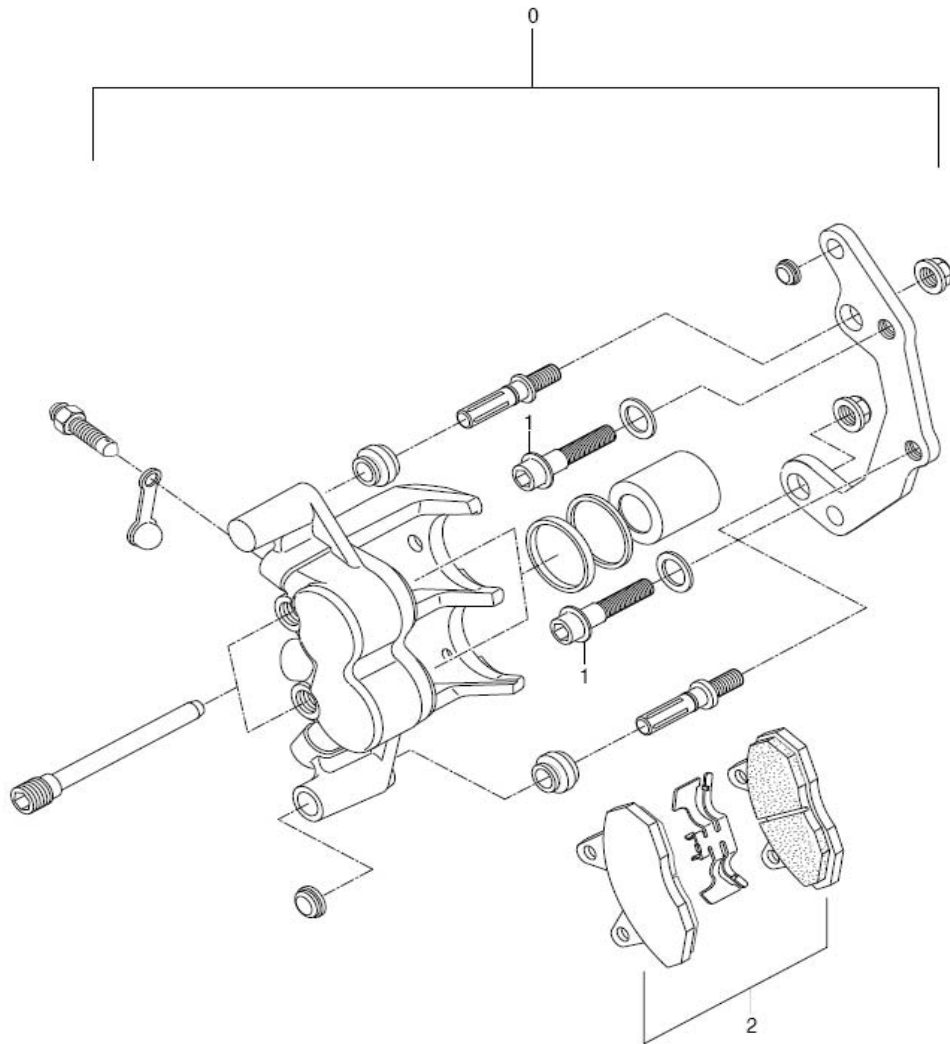




CALIPER LH

| Ref # | Part # | Description | Quantity | Remarks |
|-------|-------------|-------------------------------|----------|--------------------|
| 0 | 59300HM8102 | CALIPER ASS'Y, L | 1 | KM4MP51C651101124 |
| 0-1 | 59300HP9500 | CALIPER ASS'Y, L | 1 | KM4MP51C651101125~ |
| 0-2 | 59300HN9100 | CALIPER ASS'Y, L | 1 | KM4MP51C961101458 |
| 1 | 07120-08308 | BOLT, caliper | 2 | |
| 2 | 01514-06106 | BOLT, speedometer cable guide | 1 | |
| 3 | 59266HN9100 | GUIDE, speedometer cable | 1 | |
| 4 | 59300HG5800 | PAD SET (7.4t) | 1 | KM4MP51C25110116 |
| 4-1 | 59301HP9500 | PAD SET (8.4t) | 1 | KM4MP51C25110117 |

CALIPER RH

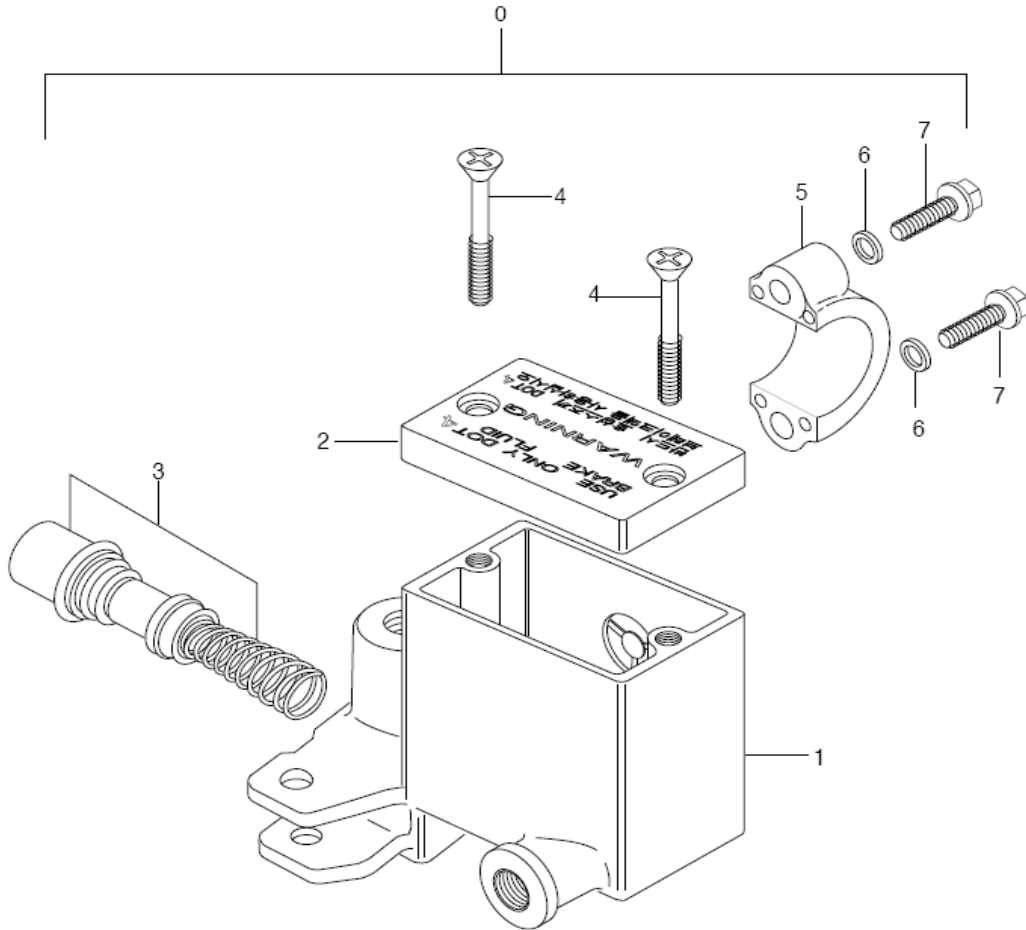




CALIPER RH

| Ref # | Part # | Description | Quantity | Remarks |
|-------|-------------|------------------|----------|--------------------|
| 0-1~1 | 59400HP9500 | CALIPER ASS'Y, R | 1 | KM4MP51C651101125~ |
| 0-1~2 | 59400HN9100 | CALIPER ASS'Y, R | 1 | KM4MP51C961101458 |
| 1 | 07120-08258 | BOLT, caliper | 2 | |
| 2 | 59300HG5800 | PAD SET (7.4t) | 1 | KM4MP51C25110116 |
| 2-1 | 59301HP9500 | PAD SET (8.4t) | 1 | KM4MP51C25110117 |

MASTER CYLINDER

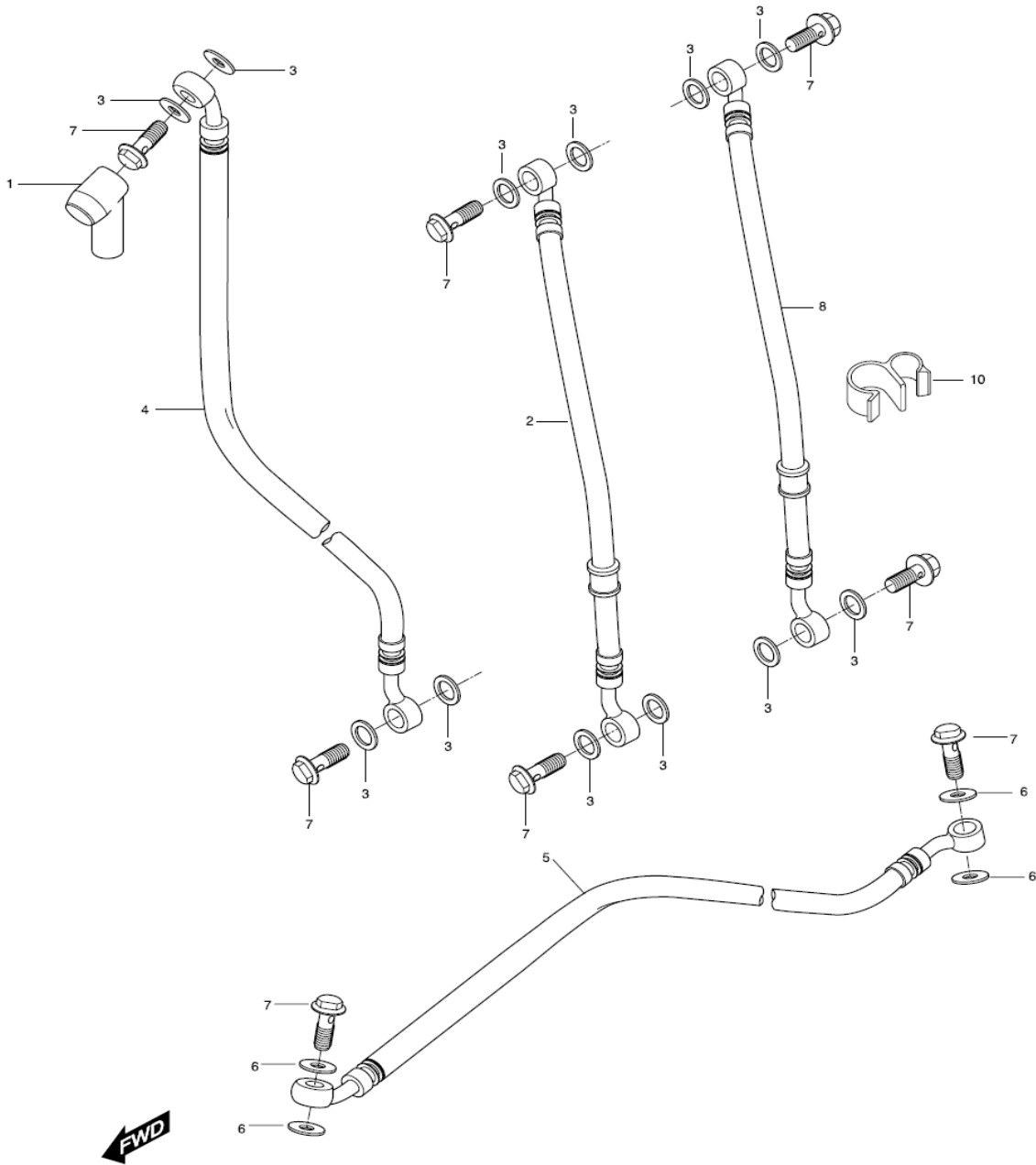




MASTER CYLINDER

| Ref # | Part # | Description | Quantity | Remarks |
|-------|-------------|------------------------------|----------|--------------------|
| 0 | 59600HN9102 | CYLINDER ASS'Y, front master | 1 | KM4MP51A351103171~ |
| 0-1 | 59600HP9201 | CYLINDER ASS'Y, front master | 1 | KM4MP51C961101458 |
| 1 | 59687HM8162 | BODY | 1 | |
| 2 | 59669-36510 | CAP, reservoir | 1 | |
| 3 | 59610-35C00 | PISTON, SET | 1 | Not for Sale |
| 4 | 59691-35C00 | SCREW | 2 | |
| 5 | 59671-35C00 | HOLDER | 1 | |
| 6 | 08322-21064 | WASHER | 2 | |
| 7 | 01107-35C00 | BOLT, holder | 2 | |

FRONT BRAKE HOSE

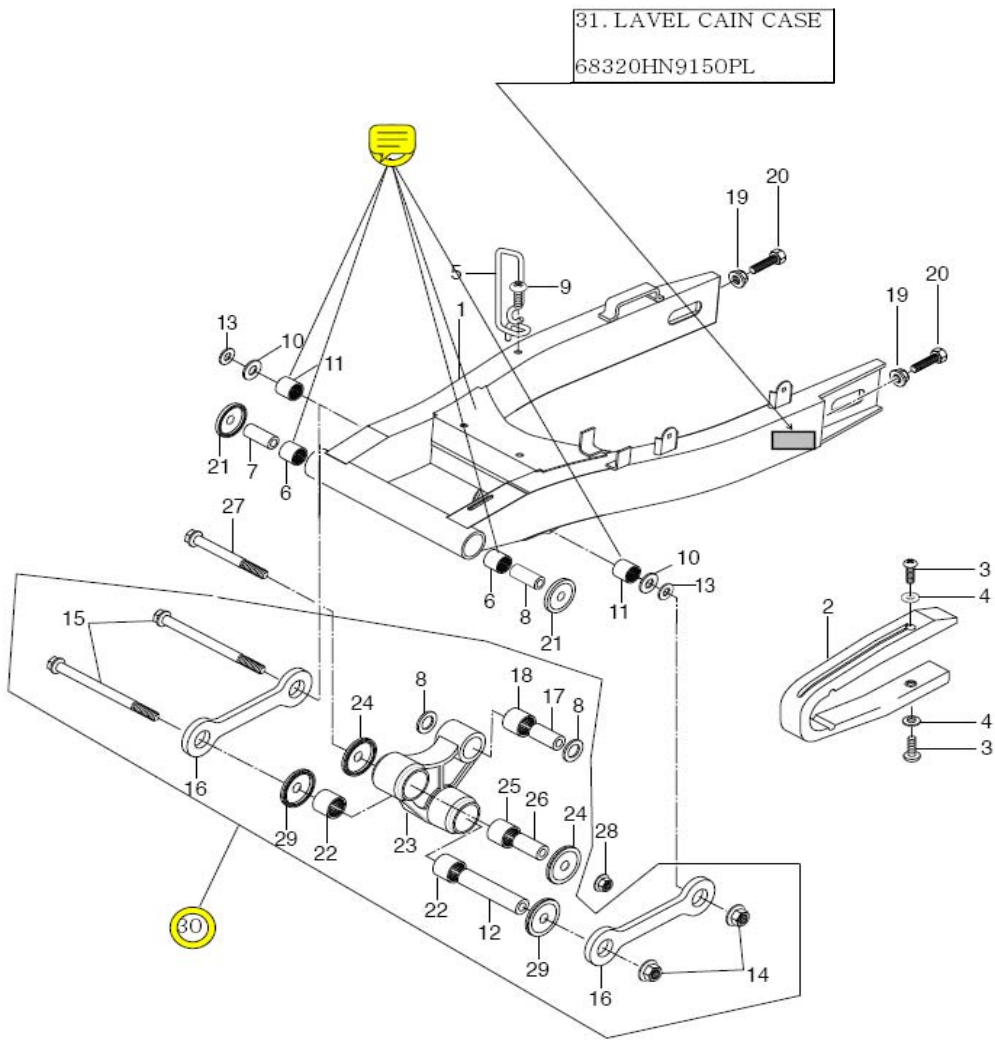




FRONT BRAKE HOSE

| Ref # | Part # | Description | Quantity | Remarks |
|-------|-------------|--------------------------------|----------|--------------|
| 1 | 59711H49002 | BOOT, brake hose | 1 | |
| 2 | 59460HN9100 | HOSE COMP, FT brake R | 1 | |
| 3 | 09161-10005 | WASHER, brake hose | 12 | |
| 4 | 59450HN9100 | HOSE COMP, front brake upper | 1 | V2S 650 & S |
| 5 | 59450HP9202 | HOSE COMP, front brake upper | 1 | V2S 650R |
| 6 | 69480HM8104 | HOSE COMP, rear brake | 1 | |
| 7 | 09161-10005 | WASHER, rear brake fluid | 4 | |
| 8 | 09360-10039 | BOLT, rear brake fluid | 8 | |
| 9 | 59470HN9100 | HOSE COMP, FT brake L | 1 | |
| 10 | 09360-10039 | BOLT, brake hose | 1 | V2S 650 ONLY |
| 11 | 09408H10002 | CLIP, ft brake hose & SP/cable | 1 | V2S 650 ONLY |

SWING ARM

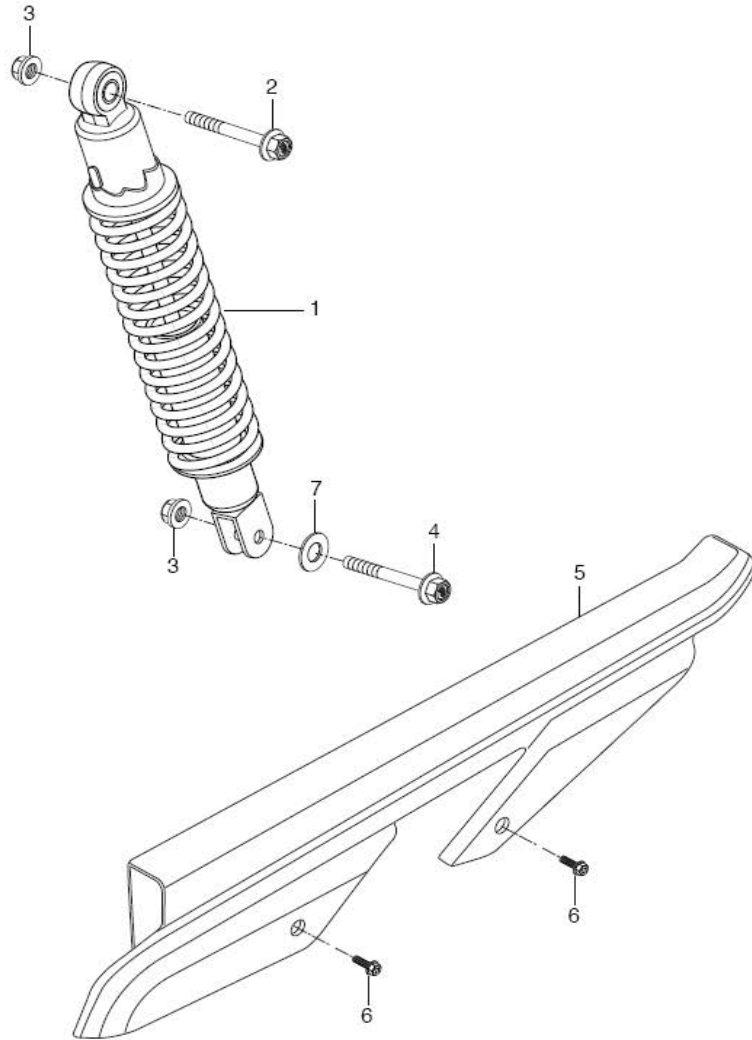




SWING ARM

| Ref # | Part # | Description | Quantity | Remarks |
|-------|----------------|--------------------------------------|----------|----------------------------|
| 0 | 61100HN9106HPA | REAR SWING ARM ASS'Y | 1 | |
| | | REAR SWING ARM ASS'Y (Black) | 1 | V2S-650S:KM4MP51B161100909 |
| | | | | V2S-650R:KM4MP51C161101504 |
| 1 | 61100HN9106 | SWING ARM COMP, rear | 1 | |
| | | SWING ARM COMP, rear (Black) | 1 | V2S-650S:KM4MP51B161100909 |
| | | | | V2S-650R:KM4MP51C161101504 |
| 2 | 61273HN9100 | BUFFER, chain touch defense | 1 | |
| 3 | 02142-06166 | BOLT, chain touch defense buffer | 2 | |
| 4 | 09169-06032 | WASHER, chain touch defense buffer | 2 | |
| 5 | 61510HM8100 | GUIDE, rear brake hose No.1 | 1 | |
| 6 | 09263-22017 | BEARING, rear swing arm pivot | 2 | |
| 7 | 61252HN9100 | SPACER, rear swing arm pivot R | 1 | |
| 8 | 61251HM8100 | SPACER, rear swing arm pivot bearing | 1 | |
| 9 | 02142-06128 | BOLT, RR brake hose guide NO.1 | 1 | |
| 10 | 09283-20031 | SEAL, rear cushion rod | 2 | |
| 11 | 09263H20003 | BEARING, rear cushion rod | 2 | |
| 12 | 09180H14001 | SPACER, rear cushion rod | 1 | |
| 13 | 08211-14341 | WASHER, rear cushion rod | 2 | |
| 14 | 09159H14008 | NUT, rear cushion rod | 2 | |
| 15 | 09103H14001 | BOLT, rear cushion rod | 2 | |
| 16 | 62641HN9100 | ROD, rear cushion lever | 2 | |
| 17 | 09180H10073 | SPACER, rear cushion lever rear | 1 | |
| 18 | 09263H17002 | BEARING, rear cushion lever rear | 1 | |
| 19 | 08316-16088 | NUT, chain adjuster | 2 | |
| 20 | 09103H08608 | BOLT, chain adjuster | 2 | |
| 21 | 61262-45002 | COVER, rear swing arm pivot | 2 | |
| 22 | 09263H20003 | BEARING, rear cushion lever center | 2 | |
| 23 | 62611HG5800 | LEVER, rear cushion | 1 | |
| 24 | 09284H33003 | DUST SEAL, rear cushion lever front | 2 | |
| 25 | 09263-20073 | BEARING, rear cushion lever front | 1 | |
| 26 | 09180H12001 | SPACER, rear cushion lever front | 2 | |
| 27 | 09103H12046 | BOLT, rear cushion lever front | 1 | |
| 28 | 08319-31128 | NUT, rear cushion lever front | 1 | |
| 29 | 09284H32001 | SEAL, rear cushion lever center | 2 | |
| 30 | 62611HN9100HPA | LEVER, REAR cushion ASS'Y | 1 | |
| 31 | 68320HN9150PL | LABEL, chain case | 1 | |

REAR SHOCK ABSORBER

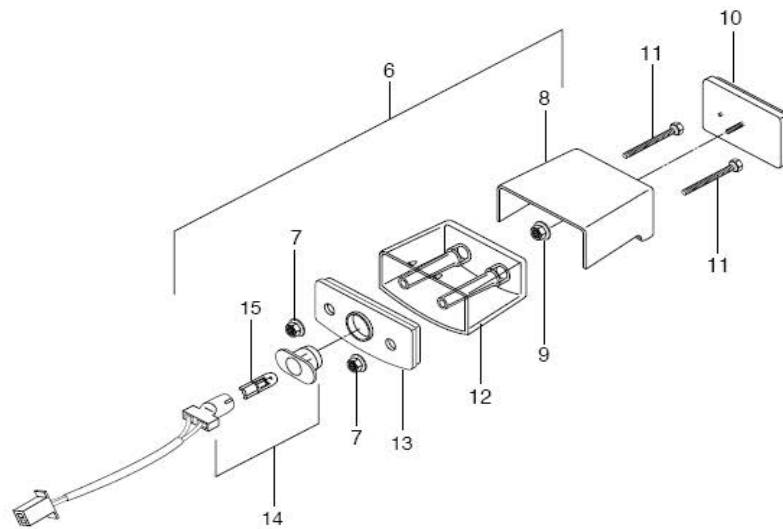
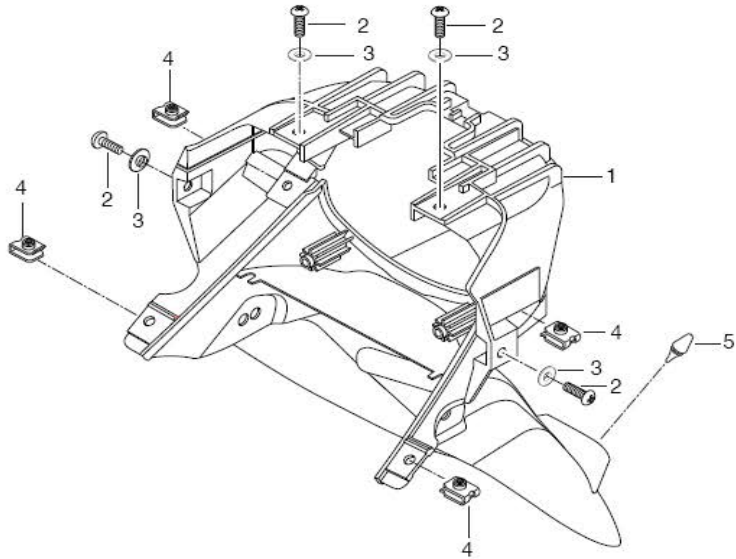




REAR SHOCK ABSORBER

| Ref # | Part # | Description | Quantity | Remarks |
|-------|-------------|-----------------------------------|----------|--------------------|
| 1 | 62100HP9201 | SHOCK ABSORBER ASS'Y rear | 1 | ~KM4MP51A341100140 |
| 2 | 09103H10101 | BOLT, rear shock absorber upper | 1 | |
| 3 | 08319-31108 | NUT, rear shock absorber upper | 2 | |
| 4 | 09103H10101 | BOLT, rear shock absorber lower | 1 | |
| 5 | 61310HM8102 | CASE COMP, chain | 1 | |
| 6 | 09111H06066 | BOLT, chain case | 2 | |
| 7 | 09160-10001 | WASHER, rear shock absorber lower | 1 | |

REAR FENDER

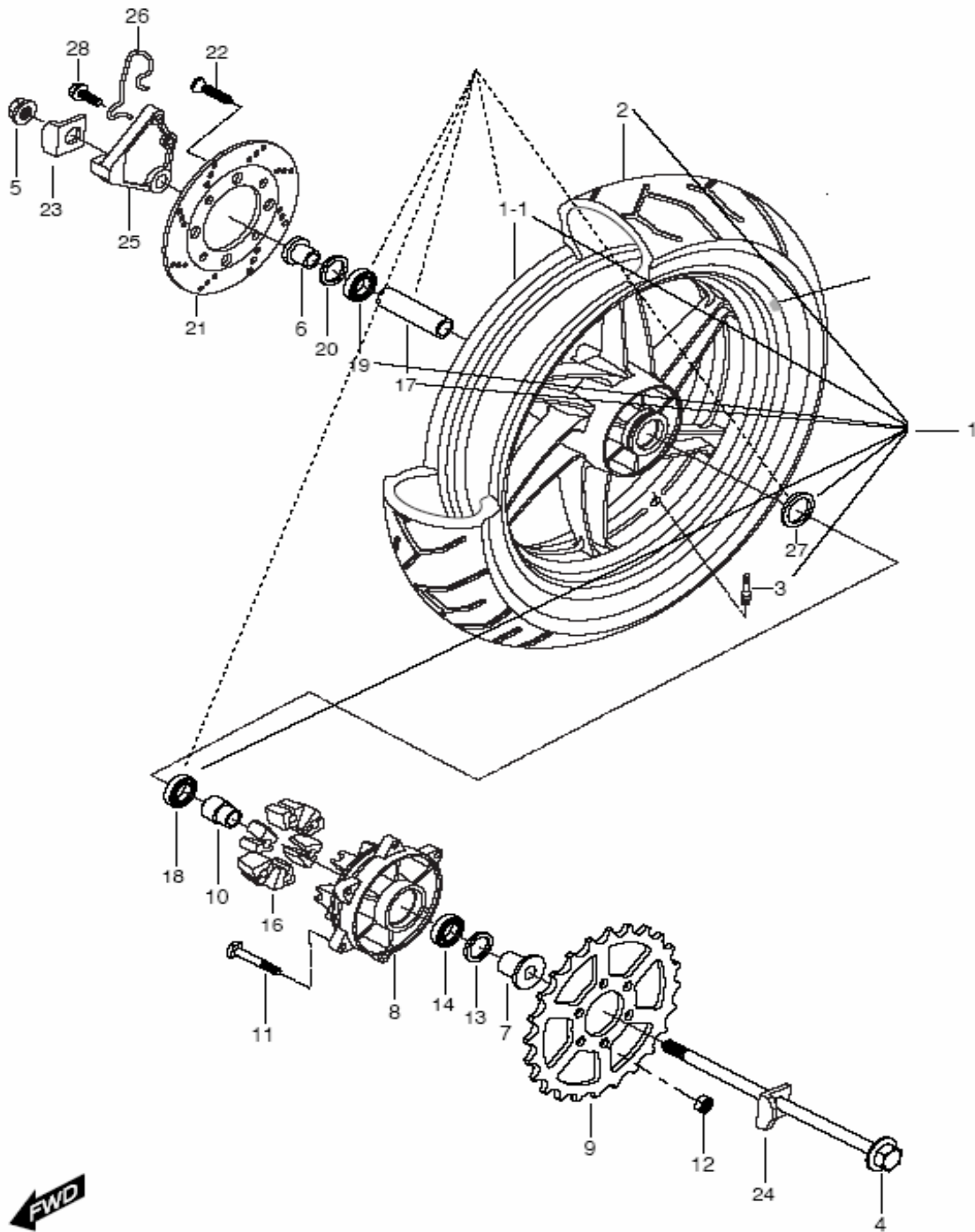




REAR FENDER

| Ref # | Part # | Description | Quantity | Remarks |
|-------|----------------|------------------------------|----------|---------|
| 1 | 63111HM810112A | FENDER, rear | 1 | |
| 2 | 01517-06206 | BOLT, rr fender | 4 | |
| 3 | 09169-06032 | WASHER, rr fender | 4 | |
| 4 | 09148-05039 | NUT, rr fender | 4 | |
| 5 | 09321-06023 | CUSHION, license plate | 1 | |
| 6 | 35910HG5150 | LAMP ASS'Y, license plate | 1 | |
| 7 | 08316-26055 | NUT, license lamp (M5) | 2 | |
| 8 | 35915HL7300 | COVER, license lamp | 2 | |
| 9 | 08316-26055 | NUT, license lamp | 2 | |
| 10 | 35970-17303 | REFLEX REFLECTOR ASS'Y, rear | 1 | |
| 11 | 01107-05605 | SCREW, license lamp | 2 | |
| 12 | 35911HG5800 | LENS, license | 1 | |
| 13 | 35912HG5800 | HOUSING, license | 1 | |
| 14 | 35916HG5800 | CORD ASS'Y | 1 | |
| 15 | 09471-12210 | BULB, license lamp (12V/5W) | 1 | |

REAR WHEEL

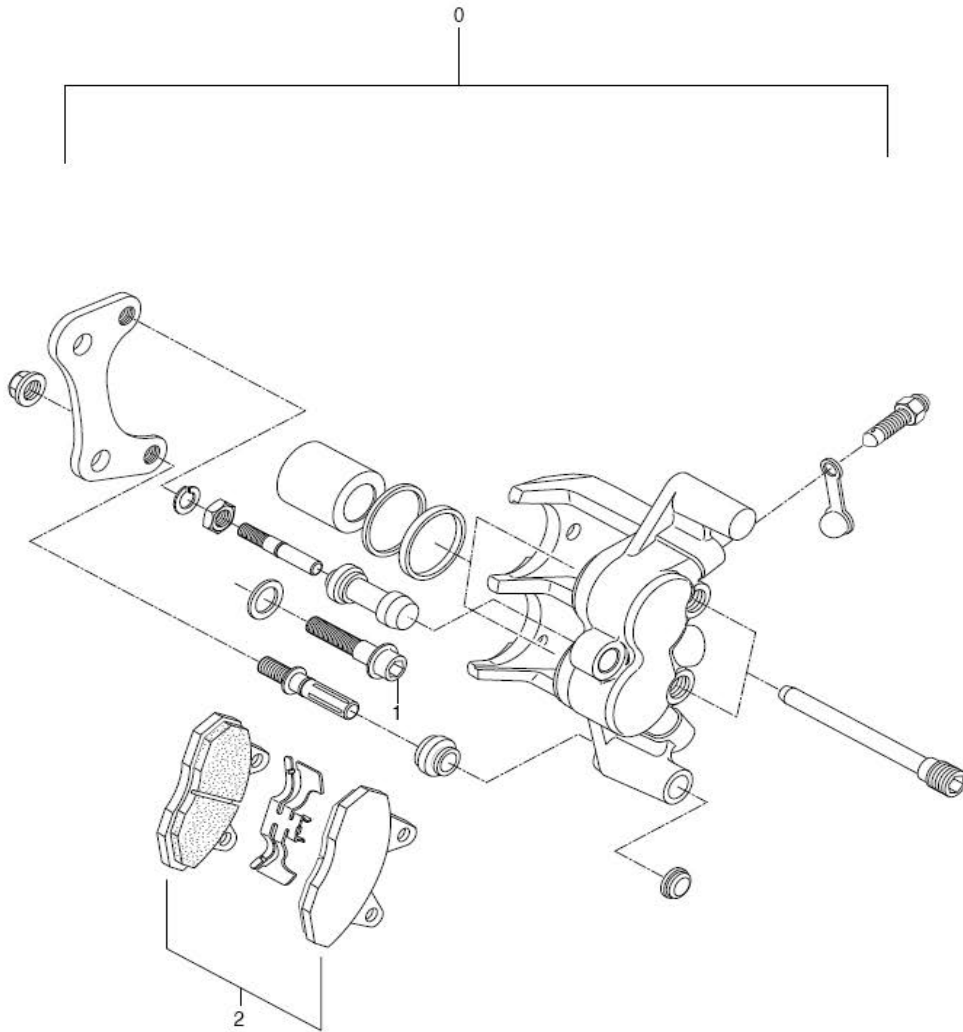




REAR WHEEL

| Ref # | Part # | Description | Quantity | Remarks |
|-------|----------------|---------------------------------------|----------|----------------------------|
| 1 | 64150SN9100HPA | WHEEL + TIRE REAR ASS'Y. | 1 | |
| 1-1 | 64150HN9100 | WHEEL COMP, rear (J17xMT4.50) | 1 | V2S-650S:KM4MP51B161100909 |
| 1-1-1 | 64150HN9100120 | WHEEL COMP, rear (J17xMT4.50)(Black) | 1 | V2S-650R:KM4MP51C161101504 |
| 1-2 | 64150HN9100HPA | | 1 | V2S-650S:KM4MP51B161100909 |
| 1-2-1 | 64150HN9101HPA | WHEEL + BEARING (Black) | 1 | V2S-650R:KM4MP51C161101504 |
| 2 | 65100HN9101 | TIRE COMP, rear (160/60-17 69W) | 1 | |
| 3 | 55220-29C20 | VALVE ASS'Y, wheel rim | 1 | |
| 4 | 64711HN9101 | AXLE, rear | 1 | |
| 5 | 09159H16002 | NUT, rear axle | 1 | |
| 6 | 64741HM8100 | SPACER, rear axle R | 1 | |
| 7 | 64751HM8100 | SPACER, rear axle L | 1 | |
| 8 | 64611HN9150120 | DRUM, rear sprocket mounting | 1 | |
| 8~1 | | | | KM4MP51B861100907~ |
| 9 | 64511HN9101 | SPROCKET, rear (44T) | 1 | |
| 10 | 64733HM8100 | RETAINER, rear sprocket drum | 1 | |
| 11 | 01517-08358 | BOLT, rear sprocket | 6 | |
| 12 | 08319-31088 | NUT, rear sprocket | 6 | |
| 13 | 09285-28001 | OIL SEAL, rear sprocket mounting drum | 1 | |
| 14 | 08133-62047 | BEARING, rear sprocket mounting drum | 1 | |
| 15 | 64162HN9100 | WASHER, rear sprocket | 3 | Not for Sale |
| 16 | 64651HM8101 | SHOCK ABSORBER, rear wheel | 6 | |
| 17 | 64731HM8100 | SPACER, rear wheel bearing | 1 | |
| 18 | 08133-62037 | BEARING, rear wheel L | 1 | |
| 19 | 08133-62037 | BEARING, rear wheel R | 1 | |
| 20 | 09283-27010 | O-RING, rear hub R | 1 | |
| 21 | 69211HM8101 | DISK, rear brake | 1 | |
| 22 | 59421-03A01 | BOLT, rear brake disk | 6 | |
| 23 | 61411HN9100 | PLATE, chain adjuster R | 1 | |
| 24 | 61511HN9100 | PLATE, chain adjuster L | 1 | |
| 25 | 69340HM810303P | CARRIER, caliper | 1 | |
| 25~1 | | CARRIER, caliper | 1 | KM4MP51B861100907~ |
| 26 | 61610HM8101 | GUIDE, rr brake hose NO. 2 | 1 | |
| 27 | 09280-55001 | O-RING, rear hub L | 1 | |
| 28 | 01517-06128 | BOLT, rr brake hose guide NO. 2 | 1 | |

REAR CALIPER

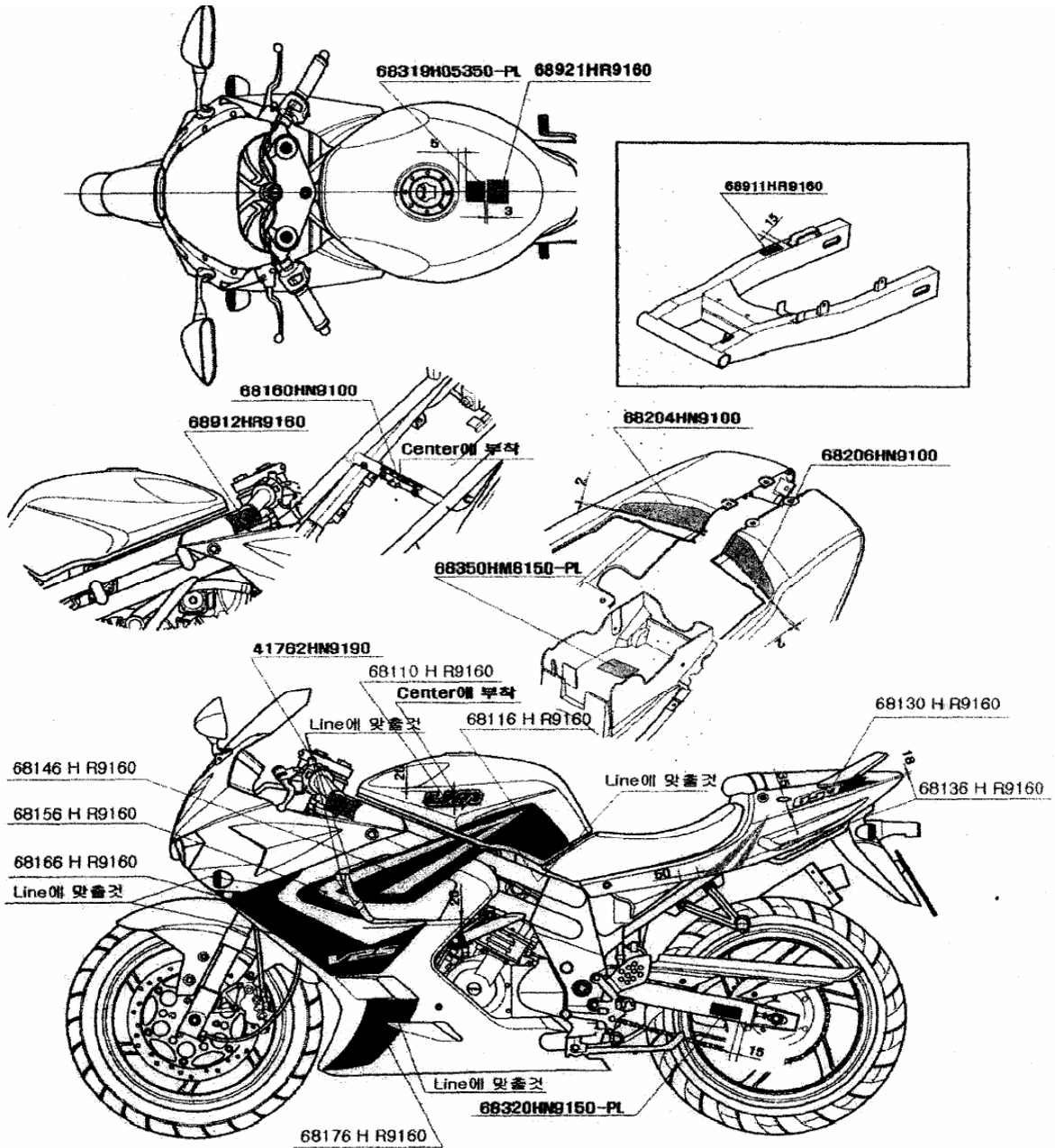




REAR CALIPER

| Ref # | Part # | Description | Quantity | Remarks |
|-------|-------------|---------------------------|----------|-------------------|
| 0 | 69300HP9500 | CALIPER ASS'Y, rear brake | 1 | KM4MP51C961101457 |
| 0-1 | 69300HN9102 | CALIPER ASS'Y, rear brake | 1 | KM4MP51C961101458 |
| 1 | 69300HN9101 | BOLT, caliper | 1 | |
| 2 | 59300HG5800 | PAD SET (7.4t) | 2 | KM4MP51C25110116 |
| 2-1 | 59301HP9500 | PAD SET (8.4t) | 1 | KM4MP51C25110117 |

STICKERS





STICKERS

| Ref # | Part # | Description | PREFIX | | | |
|-------|---------------|---------------------------------|---------|---------|----------|-------|
| | | | RED/BLK | SIL/BLK | BURG/BLK | BLACK |
| 1 | 68204HN9100 | TAPE, REAR SEAT & SIDE COVER R. | # | # | # | # |
| 2 | 68206HN9100 | TAPE, REAR SEAT & SIDE COVER L. | # | # | # | # |
| 3 | 68110HR9160 | EMBLEM, FUEL TANK | U11 | U21 | U41 | U31 |
| 4 | 68114HR9160 | TAPE, FUEL TANK R. | U12 | U12 | U12 | U12 |
| 5 | 68116HR9160 | TAPE, FUEL TANK L. | U12 | U12 | U12 | U12 |
| 6 | 68130HR9160 | EMBLEM, 650R | U13 | U13 | U13 | U13 |
| 7 | 68134HR9160 | TAPE, SIDE COVER R. | 015 | 015 | 015 | 015 |
| 8 | 68136HR9160 | TAPE, SIDE COVER L. | 015 | 015 | 015 | 015 |
| 9 | 68144HR9160 | TAPE, UNDER COWLING NO1 R. | U12 | U12 | U12 | U12 |
| 10 | 68146HR9160 | TAPE, UNDER COWLING NO1 L. | U12 | U12 | U12 | U12 |
| 11 | 68154HR9160 | TAPE, UNDER COWLING NO2 R. | U12 | U12 | U12 | U12 |
| 12 | 68156HR9160 | TAPE, UNDER COWLING NO2 L. | U12 | U12 | U12 | U12 |
| 13 | 68164HR9160 | TAPE, UNDER COWLING NO3 R. | U13 | U23 | U23 | U23 |
| 14 | 68166HR9160 | TAPE, UNDER COWLING NO3 L. | U13 | U23 | U23 | U23 |
| 15 | 68174HR9160 | TAPE, UNDER COWLING NO4 R. | D02 | D03 | D03 | D03 |
| 16 | 68176HR9160 | TAPE, UNDER COWLING NO4 L. | D02 | D03 | D03 | D03 |
| 17 | 68170HN9100 | LABEL, RADIATOR | # | # | # | # |
| 18 | 68160HN9100 | LABEL, RELAY | # | # | # | # |
| 19 | 68319H05350PL | LABEL, CAUTION | # | # | # | # |
| 20 | 68320HN9150PL | LABEL, CHAIN CASE | # | # | # | # |
| 21 | 68350HM8150PL | LABEL, CAUTION NO1. | # | # | # | # |
| 22 | 41762HN9190 | PLATE, MANUFACTURER | # | # | # | # |
| 23 | 68911HR9160 | LABEL, EPA NOISE EMISSION | # | # | # | # |
| 24 | 68912HR9160 | LABEL, NOISE EMISSION | # | # | # | # |
| 25 | 68921HR9160 | LABEL, EMISSION | # | # | # | # |