



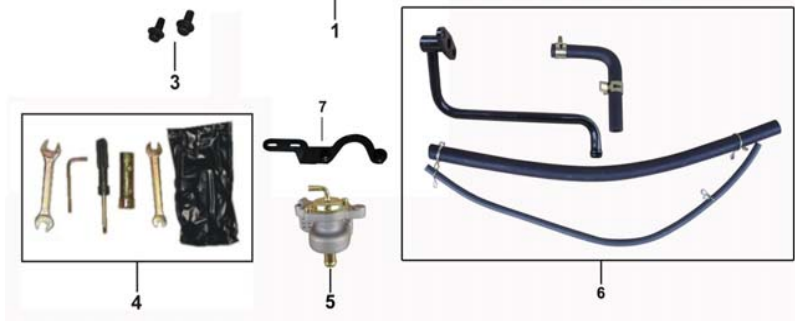
PARTS BOOK

 **KUBA**
FASTWIND

MONOSHOCK 200R



www.umglobal.com

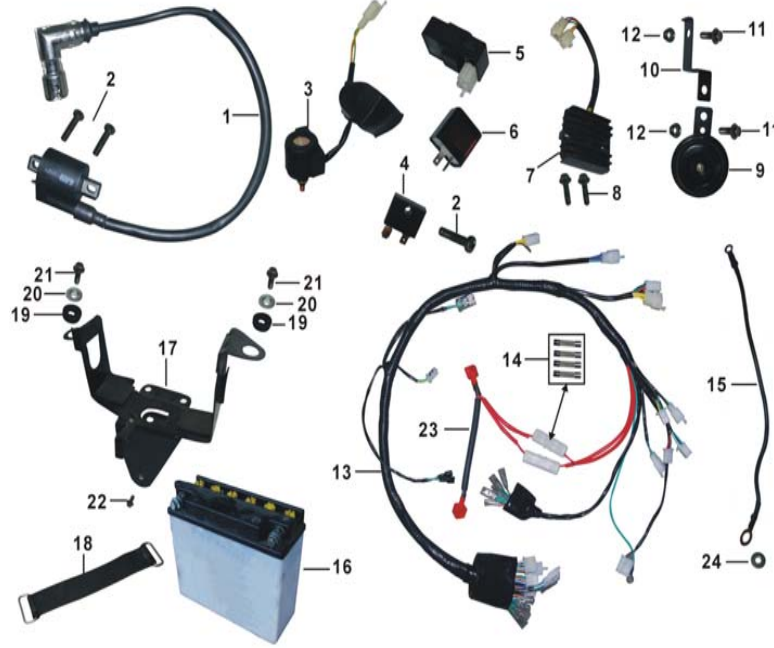


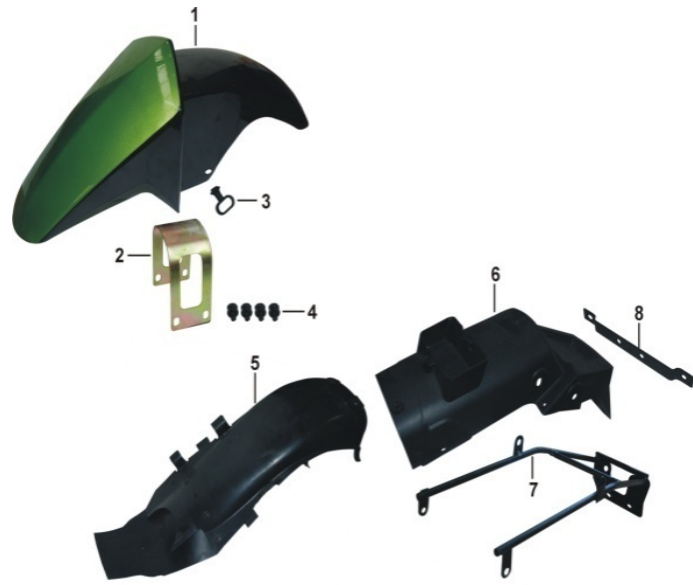
B01 = 空滤器 / AIR CLEANER ASSY / FILTRO DE AIRE

ITEM	UM Part #	Description	TURKCE
1	B01020026	AIR FILTER ASSY EURO III (e4-DAIFO-SQ-DFZX)	HAVA FİLTRESİ EURO III (e4-DAIFO-SQ-DFZX)
2	B01010005	FILTER ELEMENT	HAVA FİLTRESİ ELEMANI
3	B01050006	PERNO HEX. M6x16	VİDA GRUBU
4	B01030006	TOOL SET	ANAHTAR TAKIMI
5	B01040009	SECOND AIR VALVE	SECOND AIR VALVE
6	B01040007	PIPE SET	PIPE SET
7	B01040051	BRACKET, AIR VALVE	BRACKET, AIR VALVE

B02 = 电 器 件 / ELECTRIC SYSTEM / SISTEMA ELECTRICO

ITEM	UM Part #	Description	TURKCE
1	B02060014	COIL COMP.,IGNITION	ATEŞLEME BOBİNİ
2	B05030024	PAN HEAD SCREWS WITH CROSS RECESS M5×20	VİDA GRUBU XXXXXXXX
3	B02020010	START RELAY	MARŞ ŞARTELİ
4	B02020009	DIODE	ŞASE DİYOTU
5	B02040005	C.D.I. UNIT	BEYİN
6	B02020008	FLASH UNIT	FLAŞÖR
7	B02030005	RECTIFIER COMP.,REGULATOR	ŞARJ DİYOTU
8	E12060002	HEXAGON FLANGE BOLTS—SMALL SERIES M6×25	VİDA GRUBU
9	B02080014	BUGLE ASS'Y (E4-28R-000102)	KORNA (E4-28R-000102)
10	B02090010	HORN BRACKET	KORNA BAĞ. DEMİRİ
11	B12050001	HEXAGON FLANGE BOLTS—SMALL SERIES M6×16	VİDA GRUBU
12	B02090014	HEXAGON NUTS WITH FLANGE M6	VİDA GRUBU
13	B02050026	HARNES,WIRE	ELEKTRİK TESİSATI
14	B02070002	FUZE 15A	SİGORTA
15	B02050008	WIRE “-”	ŞASE KABLOSU (-)
16	B02010005	BATTERY YUASA 12V 8AH YB7-A	AKÜ
16	B02010006	BATTERY HUITONG 12V 8AH YB7-A	AKÜ YATAĞI
17	B02090011	BATTERY SUPPORT.	AKÜ YATAĞI
18	B02090012	BAND,BATTERY	AKÜ LASTİĞİ
19	B02090013	RUBBER RING OF BATTERY BRACKET	VİDA GRUBU
20	B09060008	BUSH OF BATTERY BRACKET	VİDA GRUBU
21	B02090005	HEXAGON BOLTS—FULL THREAD M6X20	VİDA GRUBU
22	B17070050	HEXAGON FLANGE BOLTS—SMALL SERIES M6×10	VİDA GRUBU
23	B02050007	WIRE “+”	ŞASE KABLOSU (+)





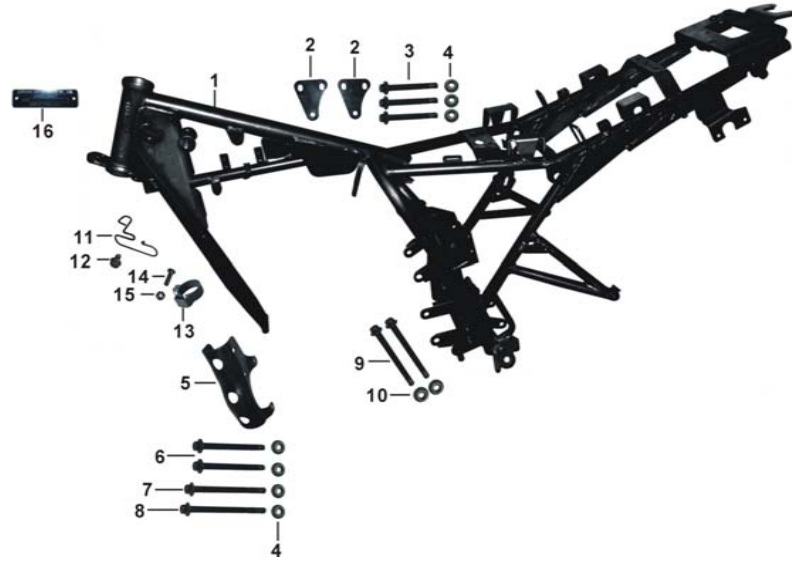
B03 = 挡泥板 / FENDERS / GUARDABARRO

ITEM	UM Part #	Description	TURKCE
1	B03010024	FRONT FENDER RED	ÖN ÇAMURLUK KIRMIZI
1	B03010027	FRONT FENDER BLACK	ÖN ÇAMURLUK SİYAH
1	B03010030	FRONT FENDER BASE COLOR	ÖN ÇAMURLUK
2	B03060013	FRONT FENDER BRACKET	ÖN ÇAMURLUK BAĞ. DEMİRİ
3	B03060011	CABLE GUIDING	K.M HALAT TUTACAĞI
4	B03060015	HEXAGON HEAD BOLT,SINGLE COILSPRING LOCK WASHER AND PLAIN WASHER ASSEMBLIES M8x16	VİDA GRUBU
5	B03030005	FRONT PART, RR, FENDER	TEKER ÜSTÜ ÇAMURLUK
6	B03040005	REAR PART, RR,FENDER	ARKA ÇAMURLUK
7	B03060014	BRACKET, REAR FENDER B	ARKA ÇAMURLUK BAĞ. DEMİRİ
8	B03060012	BRACKET, REGISTRATION MARK	ARKA PLAKA DEMİRİ

B04 = 脚踏、启动杆 & 变档杆 / FOOTREST & PEDALS / POSAPIE Y PEDALES

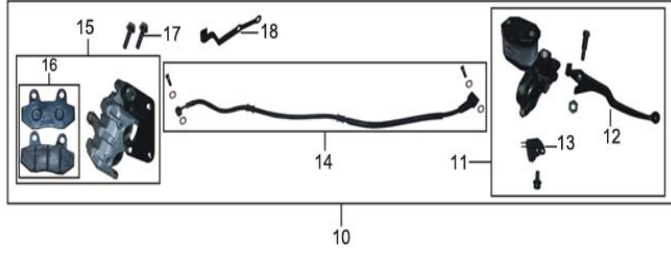
ITEM	UM Part #	Description	TURKCE
1	B04030018	REAR,RIGHT,FOOTREST (ALUMINIUM)	ARKA BASAMAK SAĞ
2	B04090034	HEXAGON FLANGE BOLTS—SMALL SERIES M10×45	VİDA GRUBU
3	B04090037	HEXAGON NUTS WITH FLANGE M10×1.25	VİDA GRUBU
4	B04030017	REAR,LEFT,FOOTREST (ALUMINIUM)	ARKA BASAMAK SOL
5	B04090035	HEXAGON FLANGE BOLTS—SMALL SERIES M10×30	VİDA GRUBU
6	B04020010	FRONT RIGHT FOOTREST	ÖN BASAMAK SAĞ
7	B04090036	HEXAGON FLANGE BOLTS—SMALL SERIES M10×40	VİDA GRUBU
8	B04020009	FRONT LEFT FOOTREST	ÖN BASAMAK SOL
9	B04050035	SIDE STAND	YAN SEHPA
10	B04090103	BOLT	VİDA GRUBU
11	B04090104	HEXAGON NUTS,STYLE 1 M6	VİDA GRUBU
12	B04090105	SPRING A,SIDE STAND (DOUBLE SPRING)	YAN SEHPA YAYI
13	B04050011	CENTER STAND	ALT SEHPA
14	B04090027	RUBBER CUSHION, CENTER STAND, (14mm)	SEHPA TAKOZU
15	B04050012	CENTER STAND AXIS	SEHPA MİLİ
16	B04090031	PLAIN WASHERS $\phi 17 \times \phi 27 \times 2.5$	VİDA GRUBU
17	B04090038	SPLIT PINS 2.5×30	VİDA GRUBU
18	B04090106	SPRING, MAIN STAND (DOUBLE SPRING)	ALT SEHPA YAYI
19	B04070005	GEARSHIFT PEDAL ASSY	VİTES PEDALI
20	B04090040	SPRING WASHER $\phi 10$	VİDA GRUBU
21	B04080006	ASSEMBLY, KICK STARTING LEVER	AYAK MARŞ KOLU
22	B04080005	LIMITED STAFF	ÖN BASAMAK
23	B04060012	REAR BRAKE PEDAL,	ARKA FREN PEDALI
24	B04090029	REAR BRAKE SPRING, $\phi 4$	FREN PEDAL YAYI
25	B04090039	PLAIN WASHERS—PRODUCT GRADE A $\phi 14$	VİDA GRUBU
26	B04090038	SPLIT PINS 2.5×30	VİDA GRUBU





B05 = 车架, 安装板和支架 / FRAME, PLATE & BASE / CHASIS Y BASES

ITEM	UM Part #	Description	TURKCE
1	B05010025	FRAME (MONOSHOCK VERSION)	ŞASE
2	B05020020	ENGINE PLANK (UP SIDE)	MOTOR BAĞLANTI ELEMANLARI ÜST TKM
3	B05030017	HEXAGON FLANGE BOLTS—SMALL SERIES M8×70	VİDA GRUBU
4	B05030022	PREVAILING TORQUE TYPE ALL-METAL HEXAGON NUTS WITH FLANGE M8	VİDA GRUBU
5	B05020021	ENGINE PLANK (DOWN SIDE)	MOTOR BAĞLANTISI ALT.
6	B05030018	HEXAGON FLANGE BOLTS—SMALL SERIES M8×75	VİDA GRUBU
7	B05030019	HEXAGON FLANGE BOLTS—SMALL SERIES M8×90	VİDA GRUBU
8	B05030005	HEXAGON FLANGE BOLTS—SMALL SERIES M8×100	VİDA GRUBU
9	B05030020	HEXAGON FLANGE BOLTS—SMALL SERIES M10×115×1.25	VİDA GRUBU
10	B05030023	PREVAILING TORQUE TYPE ALL-METAL HEXAGON NUTS WITH FLANGE M10×1.25	VİDA GRUBU
11	B05020022	CLUCK CABLE CLIP	HALAT TUTACAĞI
12	B05030021	HEXAGON FLANGE BOLTS—SMALL SERIES M8×12	VİDA GRUBU
13	B05030016	CLUTCH CABLE HOLDER	VİDA GRUBU
14	B05030024	PAN HEAD SCREWS WITH CROSS RECESS M5×20	VİDA GRUBU XXXXXXXX
15	B12050013	HEXAGON NUTS,STYLE 1 M5	VİDA GRUBU
16	B05030045	VIN PLATE	VIN#



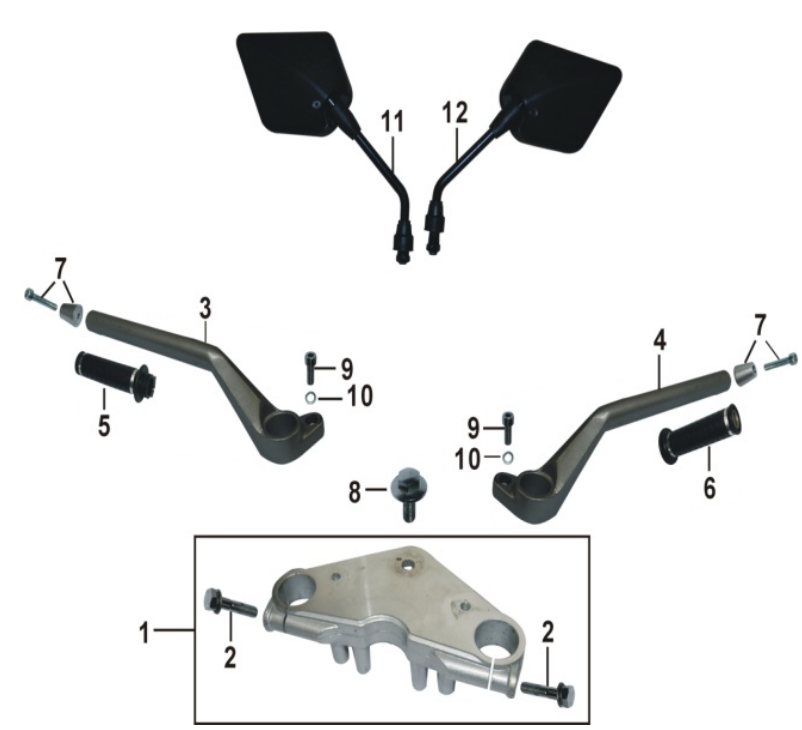
B06 = 前轮 & 前刹车 / FRONT WHEEL & BRAKE ASSY / RUEDA DELANTERA Y FRENO DELANTERO

ITEM	UM Part #	Description	TURKCE
1	B06090005	SENSOR, SPEEDER &=36mm	K.M ÇARKI
2	B06010015	TYRE, FR WHEEL, ZHENGXIN 2.75-18 (E4-75R-0005251)	ÖN DIŞ LASTİK ZHENGXIN 2.75-18 (E4-75R-0005251)
3	B06020007	FRONT TYRE TUBE ZHENGXIN 2.50/2.75-18	ÖN İÇ LASTİK
4	B06030011	SPOKE ASSY 1.85x18	ÖN JANT
5	B06080019	DISC BRAKE PLATE WAVE DISC 240mmx4mm	ÖN DİSK
6	B06100013	BOLT M8x25	VİDA GRUBU
7	B06100011	COLLAR,FR.R WHEEL SIDE	ÖN TEKER BURCU
8	B06050011	AXLE, FRONT WHEEL	ÖN TEKER MİLİ
9	B06100015	PREVAILING TORQUE TYPE ALL-METAL HEXAGON NUTS WITH FLANGE M12x1.25	ÖN TEKER MİLİ SOMU
10	B06080016	DISH BRAKE ASSY,FR	ÖN FREN MERKEZİ
11	B06080018	UP DISK BRAKE CYLINDER ASSY	ÖN FREN MERKEZİ ÜST KISIM
12	B08030012	FRONT BRAKE LEVER	FREN KOLU TEK
13	B06080020	SIGNAL SWITCH, FRONT BRAKE	ÖN FREN MUŞURU
14	B06080017	FRONT DISK BRAKE TUBE	ÖN FREN HİDROLİK HORTUMU
15	B06060007	FRONT DISK BRAKE DOWN CYLINDER ASSY	ÖN FREN MERKEZİ ALT KISIM
16	B06070005	FRONT DISK BRAKE PADS ASSY	ÖN DİSK BALATASI
17	B06100014	HEXAGON FLANGE BOLTS—SMALL SERIES M8x30	VİDA GRUBU
18	B06100012	CLIPPER B, FRONT DISK BRAKE TUBE	HİDROLİK HORTUMU BAĞ. DEMİRİ



B07 = 油箱 / FUEL TANK / TANQUE DE COMBUSTIBLE

ITEM	UM Part #	Description	TURKCE
1	B07010061	FUEL TANK ASSY RED	BENZİN DEPOSU KIRMIZI
1	B07010062	FUEL TANK ASSY BLACK	BENZİN DEPOSU SİYAH
1	B07010019	FUEL TANK ASSY BASE COLOR	BENZİN DEPOSU
2	B12010165	RIGHT FUEL TANK COVER	DEPO ALTI SAĞ GRANAJ
2	B12010166	RIGHT FUEL TANK COVER BASE COLOR	DEPO ALTI SAĞ GRANAJ
3	B12010163	LEFT FUEL TANK COVER	DEPO ALTI SOL GRANAJ
3	B12010164	LEFT FUEL TANK COVER BASE COLOR	DEPO ALTI SOL GRANAJ
4	B07070015	CROSS RECESSED SCREWS M6×16	VİDA GRUBU
5	B12050015	NYLON WASHER φ6	VİDA GRUBU
6	B07070012	RUBBER RING UNDER RIGHT SIDE COVER	VİDA GRUBU
7	B12010125	FUEL TANK NECK	BENZİN DEPOSU ÖN PLASTİK
8	B07070014	CROSS RECESSED SCREWS M6×12	VİDA GRUBU
9	B07060001	COLLAR, FRONT FUEL TANK	DEPO TAKOZLARI
10	B07060004	REAR,FUEL TANK REAR GASKET	DEPO TAKOZLARI
11	B07070016	HEXAGON BOLTS—FULL THREAD M6*40	VİDA GRUBU
12	B07070010	WASHER φ6×φ22×2	VİDA GRUBU
13	B07070011	BUSH, SEAT, REAR	VİDA GRUBU
14	B07060005	RUBBER RING, FUEL TANK, REAR	VİDA GRUBU
15	B07030003	COCK ASS'Y,FUEL	BENZİN MUSLUĞU
16	B07040007	OIL FILTER	BENZİN FİLTRESİ
17	B07050005	FUEL SENSOR	BENZİN ŞAMANDIRASI
18	B02090014	HEXAGON NUT M6	VİDA GRUBU
19	B07060003	OIL TUBE II (L=40mm)	BENZİN HORTUMU
20	B07060002	OIL TUBE I (L=45mm)	BENZİN HORTUMU
21	B07070013	CLIP, OIL TUBE	VİDA GRUBU



B08 = 方向把 / HANDLE BAR / MANUBRIO			
ITEM	UM Part #	Description	TURKCE
1	B08040008	BRIDGE,FORK TOP	ÖN DÜZEN ÜST TABLA
2	B08060009	HEXAGON HEAD BOLT,SINGLE COILSPRING LOCK WASHER AND PLAIN WASHER ASSEMBLIES M8×42	VİDA GRUBU
3	B08050007	RIGHT STEERING HANDLEBAR	DİREKSİYON BORUSU SAĞ
4	B08050006	LEFT STEERING HANDLEBAR	DİREKSİYON BORUSU SOL
5	B08020012	GRIP,R.HANDLE	GAZ BORUSU SAĞ
6	B08020011	GRIP,L.HANDLE	GAZ BORUSU SOL
7	B08020010	BALANCE PLATE ASSY	ELCİK TAPASI TKM
8	B08060007	BOLT M10×23×1,5	ÖN DÜZEN ÜST TABLA KONTRA SOMUNU
9	B08060008	HEXAGON SOCKET HEAD CAP SCREWS M8×20	VİDA GRUBU
10	B04050008	SINGLE COIL SPRING LOCK WASHERS,NORMAL TYPE φ8	VİDA GRUBU
11	B08010024	RIGHT REARVIEW MIRROR (LEAF SHAPE) (L E4-000160)	AYNA SAĞ (L E4-000160)
12	B08010025	LEFT REARVIEW MIRROR (LEAF SHAPE) (L E4-000160)	AYNA SOL (L E4-000160)



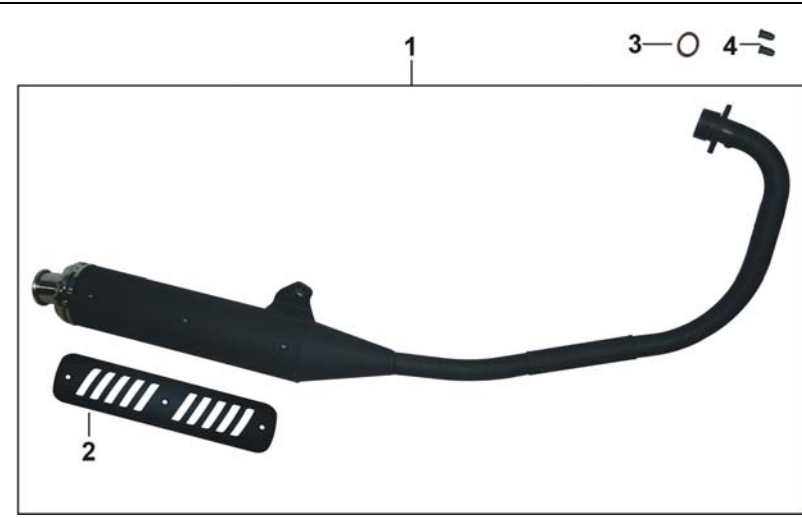
B09 = 灯具 / LIGHTS / LUCES DIRECCIONALES Y REFLEJANTES

ITEM	UM Part #	Description	TURKCE
1	B09010025	HEADLIGHT ASSY (E4-113R-0015349)	ÖN ANA FAR (E4-113R-0015349)
2	B09040018	HEADLIGHT BULB 12V 35W/35W PHLIP	ÖN FAR AMPÜLÜ
3	B09040019	POSITION BULB 12V 5W	ÖN PARK AMPÜLÜ
4	B09060007	CLIP NUT M6	VİDA GRUBU
5	B12050014	CROSS RECESSED PAN HEAD TAPPING SCREWS ST4.2×12	VİDA GRUBU
6	B12050014	CROSS RECESSED PAN HEAD TAPPING SCREWS ST4.2×12	VİDA GRUBU
7	B09020024	TAIL LIGHT ASSY (LED) (E4-50R-001837)	ARKA STOP (E4-50R-001837)
8	B09060009	CROSS RECESSED PAN SCREWS M6×20	VİDA GRUBU
9	B09060008	BUSH OF BATTERY BRACKET	VİDA GRUBU
10	B09020025	LICENSE LIGHT SET RR (E4-50R-001838)	PLAKA AYDINLATMA (E4-50R-001838)
11	B09060010	CROSS RECESSED PAN HEAD TAPPING SCREWS ST4.2×16	VİDA GRUBU
12	B01050003	PLAIN WASHERS—LARGE SERIES—PRODUCT GRADE C Φ5	VİDA GRUBU
13	B09040020	BULB, TAIL LIGHT 12V 3W	VİDA GRUBU
14	B09030046	LED LEFT, TURNNING LIGHT (E4-50R-001443)	SİNYAL (E4-50R-001443)
15	B09030047	LED RIGHT, TURNNING LIGHT (E4-50R-001443)	SİNYAL (E4-50R-001443)
16	B09030048	LED LEFT, TURNNING LIGHT (E4-50R-001443)	SİNYAL (E4-50R-001443)
17	B09030049	LED RIGHT, TURNNING LIGHT (E4-50R-001443)	SİNYAL (E4-50R-001443)
18	B09050021	REFLECT (IA E9-02-12700)	REFLECT (IA E9-02-12700)

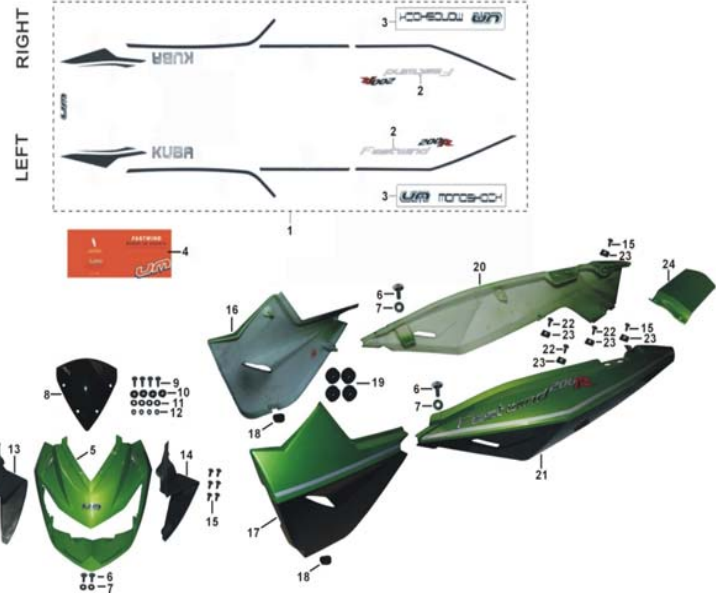


B10 = 仪表、钢索、锁具和开关 / METER, CABLES, LOCKS & SWITCH / VELOCIMETRO, GUAYAS Y CERRADURAS

ITEM	UM Part #	Description	TURKCE
1	B10050009	SWITCH COMP.,L.	SINYAL KUMANDASI DEBRİYAJ KOLLU
2	B08030011	CLUTCH LEVER	DEBRİYAJ KOLU TEK
3	B10060009	BOLT	VİDA GRUBU
4	B10060011	PREVAILING TORQUE TYPE ALL—METAL HEXAGON NUTS, STYLE2 M5	VİDA GRUBU
5	B10050010	SWITCH COMP.,R. ASSY	MARŞ KUMANDASI
6	B10020010	LOCK SET	KONTAK SETİ
7	B03060015	HEXAGON HEAD BOLT,SINGLE COILSPRING LOCK WASHER AND PLAIN WASHER ASSEM BLIES M6×12	VİDA GRUBU
8	B10060010	HEXAGON FLANGE BOLTS—SMALL SERIES M6×28	VİDA GRUBU
9	B10060007	RUBBER COVER, HELMET LOCK	PLASTİK AKSAM
10	B10060012	HEXAGON SOCKET HEAD CAP SCREWS M6×12	VİDA GRUBU
11	B02090009	SINGLE COIL SPRING LOCK WASHERS,NORMAL TYPE φ6	VİDA GRUBU
12	B10060013	HEXAGON SOCKET HEAD CAP SCREWS M5×12	VİDA GRUBU
13	B10060014	CROSS RECESSED PAN HEAD SCREW AND SINGLE COLL SPRING LOCK WASHER ASSEM BLIES M5×10	VİDA GRUBU
14	B10010023	DIGITAL SPEEDMETER	K.M SAATİ
15	B03060015	HEXAGON HEAD BOLT,SINGLE COILSPRING LOCK WASHER AND PLAIN WASHER ASSEM BLIES M8×16	VİDA GRUBU
16	B10030018	SPEEDOMETER CABLE L1=900mm L2=24mm	K.M HALATI
17	B10030053	CABLE COMP.,CLUTCH L1=820mm L2=136mm	DEBRİYAJ HALATI L1=820mm L2=136mm
18	B10030019	CABLE COMP.,THROTTLE L1=650mm L2=102mm	GAZ HALATI
19	B10030020	CABLE, SEAT LOCK L1=220mm L2=28mm	KOLTUK KİLİT HALATI
20	B10060008	LEFT DUST FREE RUBBER	DEBRİYAJ KOLU LASTİĞİ
21	B10060031	SIDE STAND SWITCH	SIDE STAND SWITCH

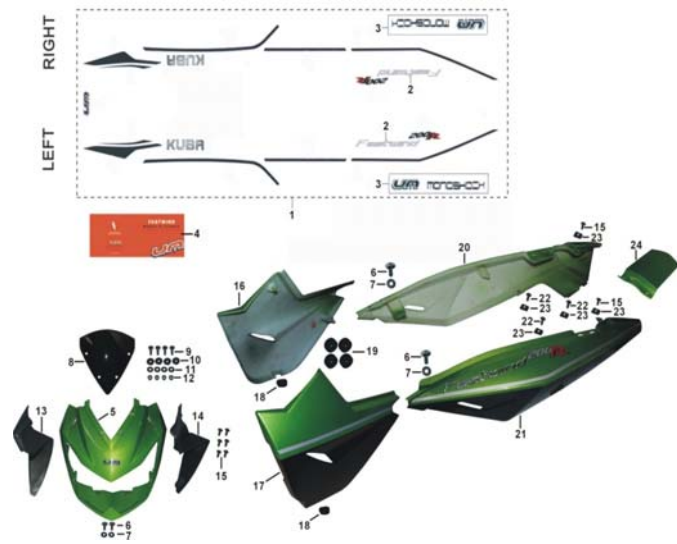


B11 = 消声器 / MUFFLER ASSY / ESCAPE			
ITEM	UM Part #	Description	TURKCE
1	B11010068	MUFFLER ASSY	EGZOST DİREĞİ
2	B11030012	PROTECTOR, MUFFLER	EGZOST TÜP
3	B11010011	AIRPROOF GASKET	VİDA GRUBU
4	B11040012	ACORN NUTS M6×23	EGZOST CONTASI



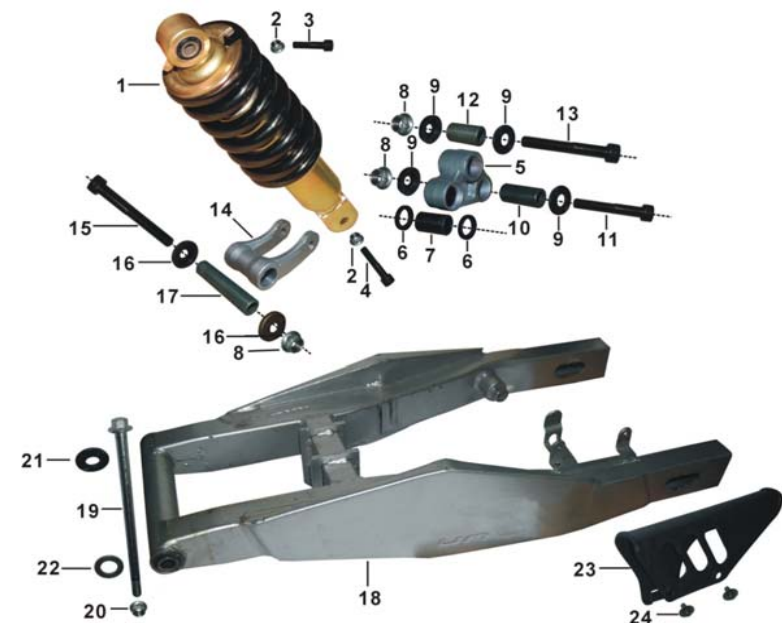
B12 = 塑料件和贴花 / PLASTIC COVERS & STICKERS / PLASTICOS Y STICKERS

ITEM	UM Part #	Description	TURKCE
1	B12040090	STICKER ASSY	KUBA ANBLEM
2	B12040046	FASTWIND CRYSTAL LOGO	KUBA ANBLEM
3	B12040048	UM MONOSHOCH LOGO	KUBA ANBLEM
4	B18010013	USER MANUAL-FASTWIND	KUBA ANBLEM
5	B12020012	HEAD COWLING RED	ÖN FAR PANELİ KIRMIZI
5	B12020015	HEAD COWLING BLACK	ÖN FAR PANELİ SİYAH
5	B12020018	HEAD COWLING BASE COLOR	ÖN FAR PANELİ
6	B07070014	CROSS RECESSED PAN SCREWS M6×12	VİDA GRUBU
7	B12050015	NYLON WASHER φ6	VİDA GRUBU
8	B12030010	WINDSHIELD	ÖN SİPER CAMI
9	B12050011	CROSS RECESSED PAN SCREWS M5×14	VİDA GRUBU
10	B12050010	WIND SHIELD NYLON PAT	VİDA GRUBU
11	B01050003	PLAIN WASHERS—LARGE SERIES—PRODUCT GRADE C φ5	VİDA GRUBU
12	B12050013	HEXAGON NUTS,STYLE 1 M5	VİDA GRUBU
13	B12030012	RIGHT COVER COWLING	K.M PLASTİĞİ SAĞ
14	B12030011	LEFT COVER COWLING	K.M PLASTİĞİ SOL
15	B12050014	CROSS RECESSED PAN HEAD TAPPING SCREWS ST4.2×12	VİDA GRUBU
16	B12010135	RIGHT SIDE COVER RED	YAN KAPAK SAĞ KIRMIZI
16	B12010138	RIGHT SIDE COVER BLACK	YAN KAPAK SAĞ SİYAH
16	B12010141	RIGHT SIDE COVER BASE COLOR	YAN KAPAK SAĞ



B12 = 塑料件和贴花 / PLASTIC COVERS & STICKERS / PLASTICOS Y STICKERS

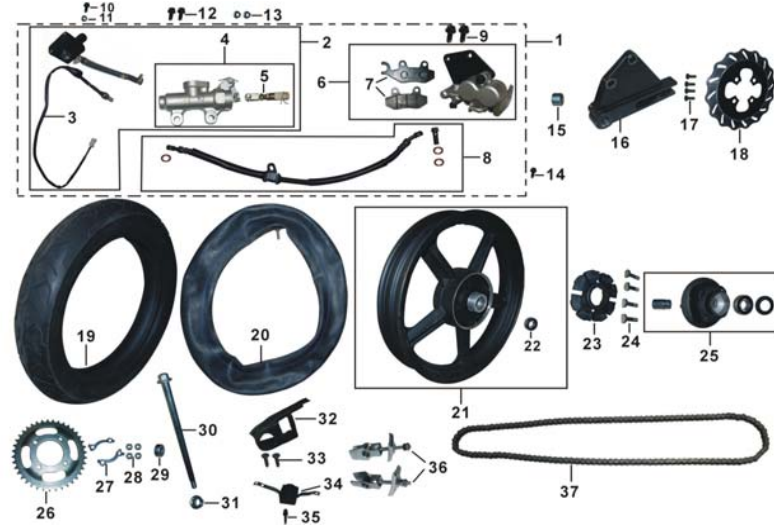
ITEM	UM Part #	Description	TURKCE
17	B12010128	LEFT SIDE COVER RED	YAN KAPAK SOL KIRMIZI
17	B12010131	LEFT SIDE COVER BLACK	YAN KAPAK SOL SIYAH
17	B12010134	LEFT SIDE COVER BASE COLOR	YAN KAPAK SOL
18	B07070012	RUBBER RING UNDER RIGHT SIDE COVER	VIDA GRUBU
19	B12050009	RUBBER RING ON SIDE COVER	VIDA GRUBU
20	B12010156	TAIL COVER RIGHT RED	ARKA YAN PANEL SAĞ KIRMIZI
20	B12010159	TAIL COVER RIGHT BLACK	ARKA YAN PANEL SAĞ SIYAH
20	B12010162	TAIL COVER RIGHT BASE COLOR	ARKA YAN PANEL SAĞ
21	B12010149	TAIL COVER LEFT RED	ARKA YAN PANEL SOL KIRMIZI
21	B12010152	TAIL COVER LEFT BLACK	ARKA YAN PANEL SOL SIYAH
21	B12010155	TAIL COVER LEFT BASE COLOR	ARKA YAN PANEL SOL
22	B09060010	CROSS RECESSED PAN HEAD TAPPING SCREWS ST4.2x16	VIDA GRUBU
23	B12050012	CLIP, SPRING	VIDA GRUBU
24	B12010142	TAIL COVER ASSY RED	ARKA YAN PANEL BİRLEŞTİRİCİ KIRMIZI
24	B12010145	TAIL COVER ASSY BLACK	ARKA YAN PANEL BİRLEŞTİRİCİ SIYAH
24	B12010148	TAIL COVER ASSY BASE COLOR	ARKA YAN PANEL BİRLEŞTİRİCİ



B14 = 后摇架 / REAR FORK / HORQUILLA TRASERA

ITEM	UM Part #	Description	TURKCE
1	B14020008	CENTRAL SHOCK ABSORBER (MONOSHOCK)	ARKA AMORTİSÖR
2	B05030022	PREVAILING TORQUE TYPE ALL-METAL HEXAGON NUTS WITH FLANGE M8	VİDA GRUBU
3	B14030022	HEXAGON SOCKET HEAD CAP SCREWS M8x45	VİDA GRUBU
4	B14030023	HEXAGON SOCKET HEAD CAP SCREWS M8x50	VİDA GRUBU
5	B14020007	ARM SUB-ASSY., CUSHION	AMORTİSÖR BAĞ. DEMİRİ
6	B14030019	SEAL	VİDA GRUBU
7	B14030018	COLLAR, CUSHION ARM	AMORTİSÖR BAĞ. BURCU
8	B05030023	PREVAILING TORQUE TYPE ALL-METAL HEXAGON NUTS WITH FLANGE M10x1.25 CLASS 10.9	VİDA GRUBU
9	B14030017	CAP, DUST SEAL	VİDA GRUBU
10	B14030021	COLLAR, CONNECTING ROD PIVOT	AMORTİSÖR BAĞ. BURCU
11	B14030024	HEXAGON SOCKET HEAD CAP SCREWS M10x65x1.25 CLASS 10.9	VİDA GRUBU
12	B14030020	COLLAR, SHOCK ABSORBER (LOWER)	AMORTİSÖR BAĞ. BURCU
13	B14030025	HEXAGON SOCKET HEAD CAP SCREWS M10x70x1.25 CLASS 10.9	VİDA GRUBU
14	B14020006	ROD SUB-ASSY., SHOCK CONNECTING	AMORTİSÖR BAĞ. DEMİRİ
15	B14030026	HEXAGON SOCKET HEAD CAP SCREWS M10x95x1.25 CLASS 10.9	VİDA GRUBU
16	B14030016	CAP, DUST SEAL	VİDA GRUBU
17	B14030015	INTER BUSH, LONGER SWING ARM	AMORTİSÖR BAĞ. BURCU
18	B14010007	REAR SWING ARM	MAFSAL
19	B14010008	SWING ARM AXLE.	MAFSAL MILİ
20	B06100015	PREVAILING TORQUE TYPE ALL-METAL HEXAGON NUTS WITH FLANGE M12	ÖN TEKER MILİ SOMU
21	B14030029	CAP, DUST SEAL	VİDA GRUBU
22	B14030030	CAP, DUST SEAL	VİDA GRUBU
23	B15090019	CHAIN COVER	ZİNCİR GERGİ ELEMANI
24	B14030027	CROSS RECESSED SMALL PAN HEAD SCREW AND BIG PLAIN WASHER ASSEMBLIES M6x12	VİDA GRUBU

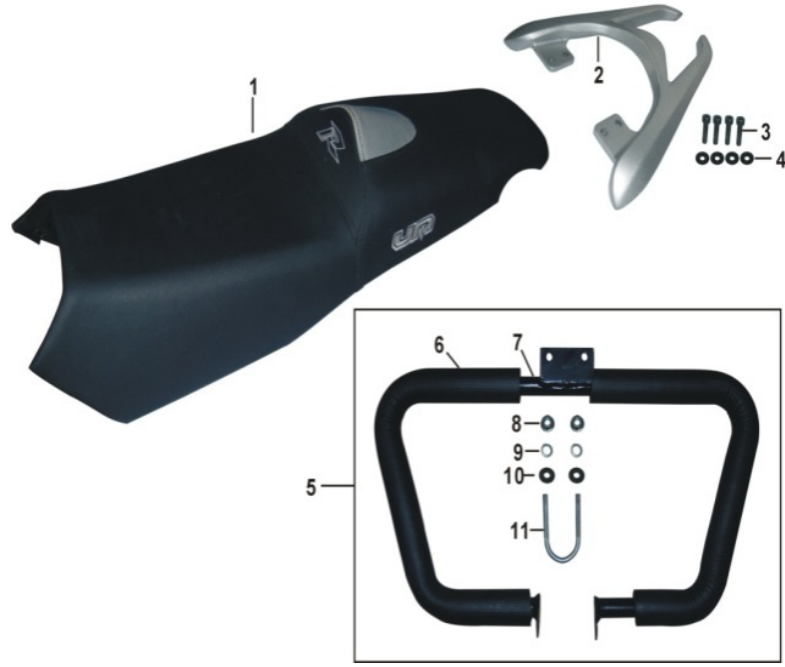
B15 = 后轮 & 后刹车 / REAR WHEEL & BRAKE ASSY / RUEDA TRASERA Y FRENO TRASERO

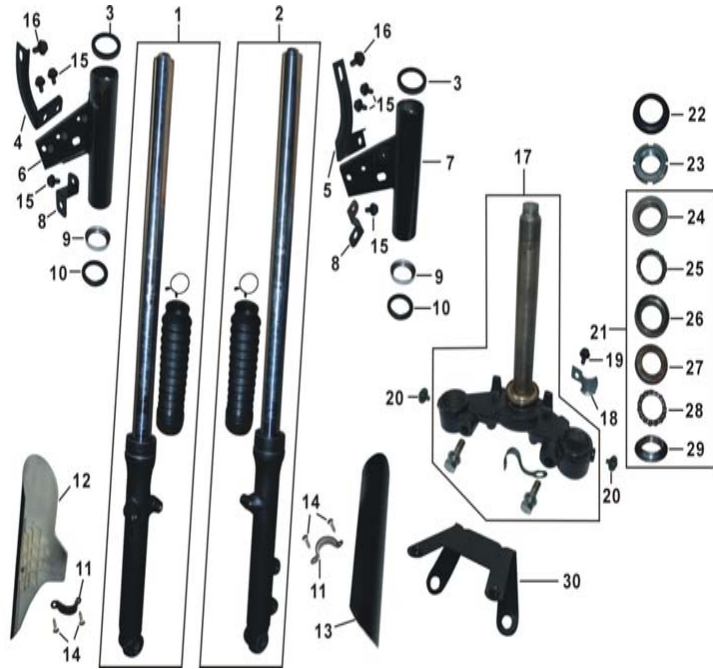


ITEM	UM Part #	Description	TURKCE
1	B15080026	DISH BRAKE ASSY,RR , BLACK COLOR+	ARKA FREN MERKEZİ
2	B15080027	UP DISK REAR BRAKE CYLINDER ASSY A	FREN MERKEZ POMPASI SET
3	B15080009	REAR BRAKE SWITCH	FREN MUŞURU
4	B15080012	UP REAR BRAKE CYLINDER ASSY B	FREN MERKEZ POMPASI
5	B15080013	REAR BRAKE CONNECTOR	FREN MERKEZ POMPA İTİCİSİ
6	B15060006	DOWN REAR BRAKE CYLINDER A	ARKA FREN MERKEZİ ALT KISIM
7	B15070005	REAR DISK PADS ASSY	ARKA DİSK BALATA
8	B15080010	BRAKE OIL TUBE B	ARKA FREN HİDROLİK HORTUMU
9	B10060003	HEXAGON BOLT M8x20	VIDA GRUBU
10	B12050001	HEXAGON FLANGE BOLTS—SMALL SERIES M6x16	VIDA GRUBU
11	B02090014	HEXAGON NUT M6	VIDA GRUBU
12	E12060002	HEXAGON FLANGE BOLTS—SMALL SERIES M6x25	VIDA GRUBU
13	B15130009	PREVAILING TORQUE TYPE ALL-METAL HEXAGON NUTS WITH FLANGE M6	VIDA GRUBU
14	B05030011	HEXAGON FLANGE BOLTS—SMALL SERIES M6x12	VIDA GRUBU
15	B15050017	COLLAR,RR,RWHEEL SIDE	VIDA GRUBU
16	B15080006	REAR DISK BRAKE, FIXED BRACKET	FREN MERKEZİ BAĞ. DEMİRİ
17	B06100013	REAR DISK BRAKE BOLT, M8X25	VIDA GRUBU
18	B15080008	REAR WAVE BRAKE DISC 240mmx4mm	ARKA DİSK
19	B15010016	TIRE,RR,WHEEL ZHENGXIN 110/90-16 (E4-75R-0001361)	ARKA DIŞ LASTİK, ZHENGXIN 110/90-16 (E4-75R-0001361)
20	B15020007	INNER TUBE,REAR WHEEL ZHENGXIN 4.00/4.60-16	ARKA İÇ LASTİK
21	B15030014	WHEEL SUB ASSY,RR. 2.5x16	VIDA GRUBU
22	B15050010	BEARING 6302	VIDA GRUBU
23	B15120005	DAMPER CUSHION	KAPRIN LASTİĞİ
24	B15130006	BOLT M8x28, SPROCKET WHEEL	VIDA GRUBU
25	B15120004	REAR WHEEL HUB	ARKA DİŞLİ GÖBEĞİ
26	B15100024	SPROCKET,FINAL DRIVE 39T	ARKA ZİNCİR DİŞLİSİ
27	B15130007	POSITION PLATE, SPROCKET	VIDA GRUBU
28	B15130008	HEXAGON NUTS,STYLE 1 M8	VIDA GRUBU
29	B15050018	COLLAR,RR,LWHEEL SIDE	VIDA GRUBU
30	B15050016	AXLE,RR,WHEEL	ARKA TEKER MİLİ
31	B15130010	PREVAILING TORQUE TYPE ALL-METAL HEXAGON NUTS WITH FLANGE M14	ARKA TEKER MİL SOMUNU
32	B15090020	SLIDER,CHAIN	MAFSAL APARATI
33	B09060010	CROSS RECESSED PAN HEAD TAPPING SCREWS ST4.2x16	VIDA GRUBU
34	B15090022	DOWN SLIDER,CHAIN	MAFSAL APARATI
35	B15130011	CROSS PAN HEAD SCREW M4x16	VIDA GRUBU
36	B15110005	CHAIN ADJUSTER	ZİNCİR GERGİ ANAHTARI
37	B15090055	CHAIN KMC 428H x122	MOTOR ZİNCİRİ, KMC 428H x 122

B16 = 坐墊 & 后货架 / SEAT & RACK / ASIENTOS Y PARRILLAS

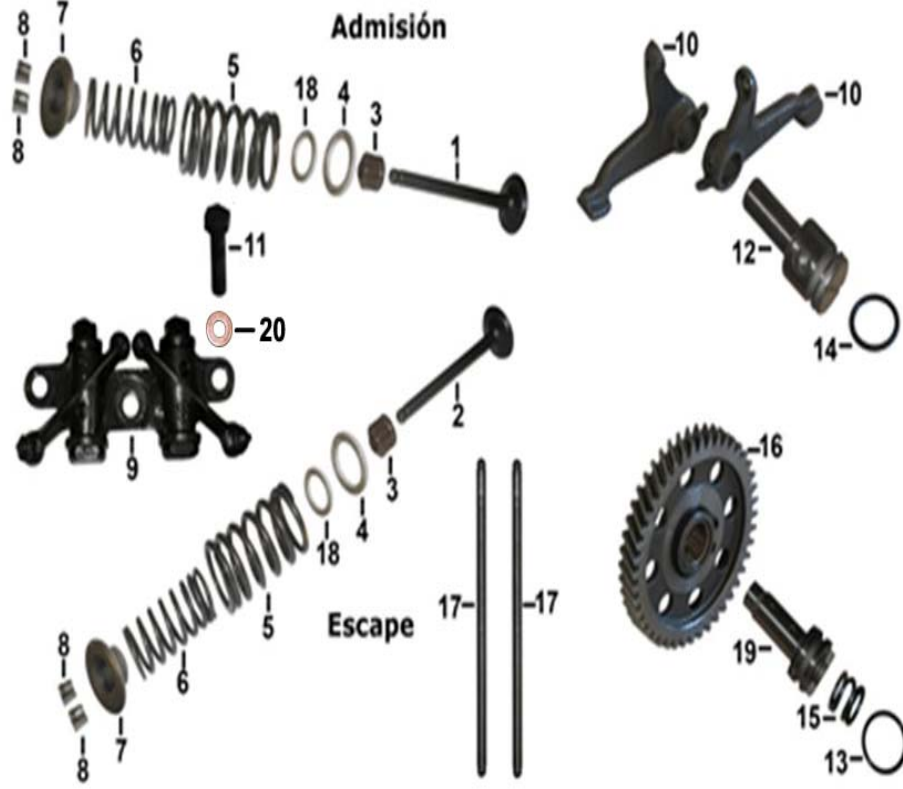
ITEM	UM Part #	Description	TURKCE
1	B16010008	SEAT ASS'Y	KOLTUK
2	B16020004	REAR RACK	ARKA TUTACAK DEMİRİ
3	B04090015	HEXAGON SOCKET HEAD CAP SCREWS M8×30	VİDA GRUBU
4	B16070008	RUBBER WASHER, REAR RACK	VİDA GRUBU
5	B16060002	BUMPER FRONT PROTECTOR (RUBBER INCLUDED)	ÖN KORKULUK SET
6	B16070007	PROTECT COVER 2M	ÖN KORKULUK MUHAFAZASI
7	B16060003	PROTECT	ÖN KORKULUK ÇIPLAK
8	B16070009	HEXAGON NUTS WITH FLANGE M8	VİDA GRUBU
9	B04050008	SINGLE COIL SPRING LOCK WASHERS,NORMAL TYPE φ8	VİDA GRUBU
10	B16070010	PLAIN WASHERS—PRODUCT GRADE A φ8	VİDA GRUBU
11	B16070006	U BOLT	VİDA GRUBU





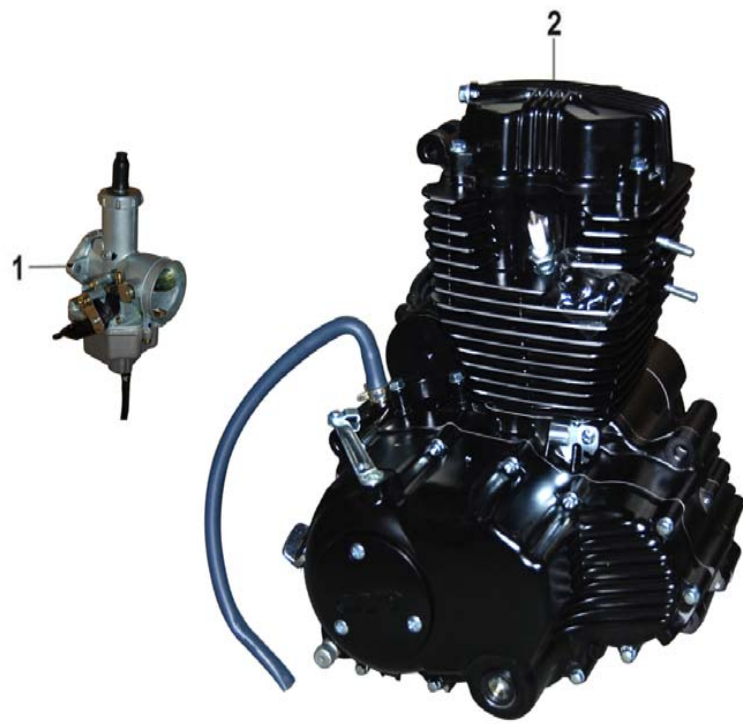
B17 = 方向柱、前減 / STEERING STEM, FRONT SHOCK ABSORBER / SUSPENSION DELANTERA

ITEM	UM Part #	Description	Spanish
1	B17020004	R.FRONT SHOCK ABSORBER	ÖN AMORTISÖR SAĞ
2	B17030004	L.FRONT SHOCK ABSORBER	ÖN AMORTISÖR SOL
3	B17070053	UPPER RUBBER CAP,HEADLIGHT BRACKET	VIDA GRUBU
4	B17070046	RIGHT HEADLIGHT BRACKET B	FAR KULAĞI ÜST BAĞ. EKI SAĞ
5	B17070045	LEFT HEADLIGHT BRACKET B	FAR KULAĞI ÜST BAĞ. EKI SOL
6	B17070048	HEADLIGHT BRACKET RIGHT	FAR KULAĞI SAĞ
7	B17070047	HEADLIGHT BRACKET LEFT	FAR KULAĞI SOL
8	B17070044	TURNING LIGHT HOLDER	FAR KULAĞI SINYAL BAĞ. DEMİRİ TKM
9	B17070054	UPPER GUID TUBE,HEADLIGHT BRACKET	VIDA GRUBU
10	B17070039	RUBBER CUSHION RING, HEADLIGHT BRACKET	VIDA GRUBU
11	B17070041	HOLDER, PROTECTIVE COVER,FRONT SHOCK ABSORBER	VIDA GRUBU
12	B12010127	PROTECTIVE COVER,FRONT RIGHT SHOCK ABSORBER	ÖN AMORTISÖR KAPAĞI SAĞ
13	B12010126	PROTECTIVE COVER,FRONT LEFT SHOCK ABSORBER	ÖN AMORTISÖR KAPAĞI SOL
14	B09060010	CROSS RECESSED PAN HEAD TAPPING SCREWS ST4.2x16	VIDA GRUBU
15	B02090007	HEXAGON FLANGE BOLTS—SMALL SERIES M6x12	VIDA GRUBU
16	B12050001	HEXAGON FLANGE BOLTS—SMALL SERIES M6x16	VIDA GRUBU
17	B17010006	STEERING STEM	GİDON
18	B17070038	CLIPER A. FRONT DISK BRAKE TUBE	VIDA GRUBU
19	B17070050	HEXAGON FLANGE BOLTS—SMALL SERIES M6x10	VIDA GRUBU
20	B17070052	BOLT OR SCREW AND WASHER ASSEMBLIES WITH PLAIN WASHERS M6x8	VIDA GRUBU
21	B17050014	STEERING BEARING ASSY	ÖN DÜZEN FURJ TAKIMI
22	B17050019	BEARING COVER	ÖN DÜZEN FURJ TAKIMI
23	B17050020	COMPRESSED NUT	ÖN DÜZEN FURJ TAKIMI
24	B17050015	RACE BOWL UPPER	ÖN DÜZEN FURJ ELEMANI
25	B17050021	UPPER RIB BRACKET	ÖN DÜZEN FURJ ELEMANI
26	B17050017	UP FRAME BOWL	ÖN DÜZEN FURJ ELEMANI
27	B17050018	DOWN FRAME BOWL	ÖN DÜZEN FURJ ELEMANI
28	B17050022	DOWN RIB BRACKET	ÖN DÜZEN FURJ ELEMANI
29	B17050016	RACE BOWL DOWN	ÖN DÜZEN FURJ ELEMANI
30	B17070049	HEADLIGHT BRACKET	ÖN DÜZEN FURJ ELEMANI



E01 = 进气和排气系统 / AIR INLET EXHAUST SYSTEM / TREN DE VALVULAS

ITEM	UM Part #	Description	TURKCE
1	E01050001	INLET VALVE	ÜST KAPAK SİBOBU
2	E01050002	EXHAUST VALVE	ÜST KAPAK SİBOBU
3	E01020001	VALVE STEM SEAL ASSY	SİBOB KEÇESİ
4	E01040001	RETAINER, VALVE OUTER SPRING	VİDA GRUBU
5	E01040002	VALVE OUTER SPRING	SİBOB YAYI TKM
6	E01040003	VALVE INNER SPRING	SİBOB YAYI TKM
7	E01040004	RETAINER, V ALVE SPRING	VİDA GRUBU
8	E01050003	VALVE COTTER	SİBOB TIRNAKLARI
9	E01010001	ASSEMBLY, VALVE ROCKER ARM	SİBOB ÜST PİYANOSU TKM
10	E01040005	LOWER ROCKER ARM	SİBOB ALT PİYANOSU TKM
11	E01060022	BOLT M8x32	VİDA GRUBU
12	E01040007	SHAFT, LOWER ROCKER ARM	SİBOB ALT PİYANO MİLİ
13	E01020002	O-RING 20x2.5	VİDA GRUBU
14	E01020009	O-RING 17x2.5	VİDA GRUBU
15	E01040008	SPRING, VALVE CAMSHAFT	VİDA GRUBU
16	E01030001	ASSEMBLY, TIMING DRIVEN GEAR	EGZANTİRİK DİŞLİSİ
17	E01040009	ASSEMBLY, PUSH ROD	SİBOB ŞİŞLERİ TKM
18	E01040010	RETAINER, VALVE INNER SPRING	VİDA GRUBU
19	E01060002	SHAFT ASSEMBLY, TIMING DRIVEN GEAR	EGZANTİRİK MİLİ
20	E01060037	COPPER WASHER 8x18x2	VİDA GRUBU

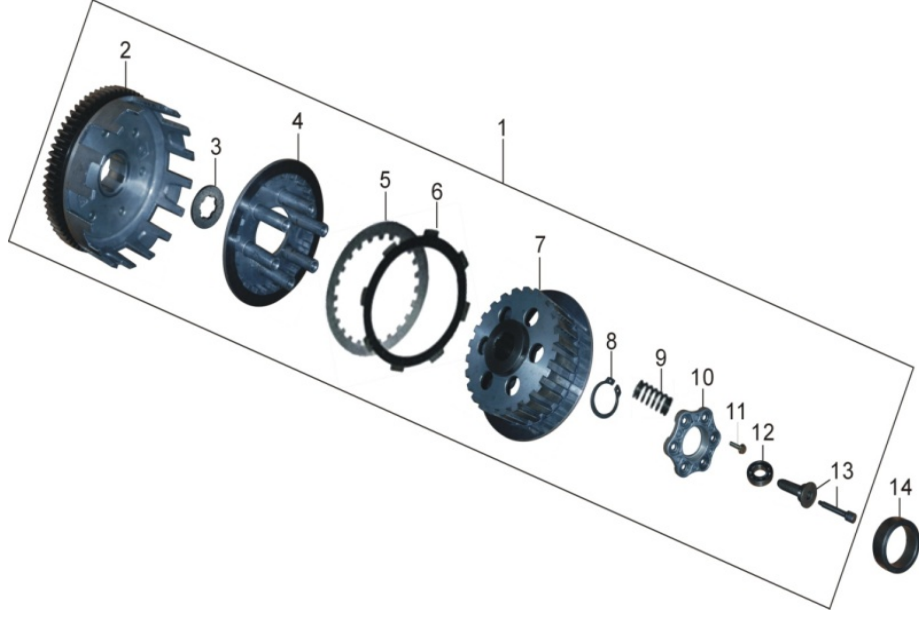


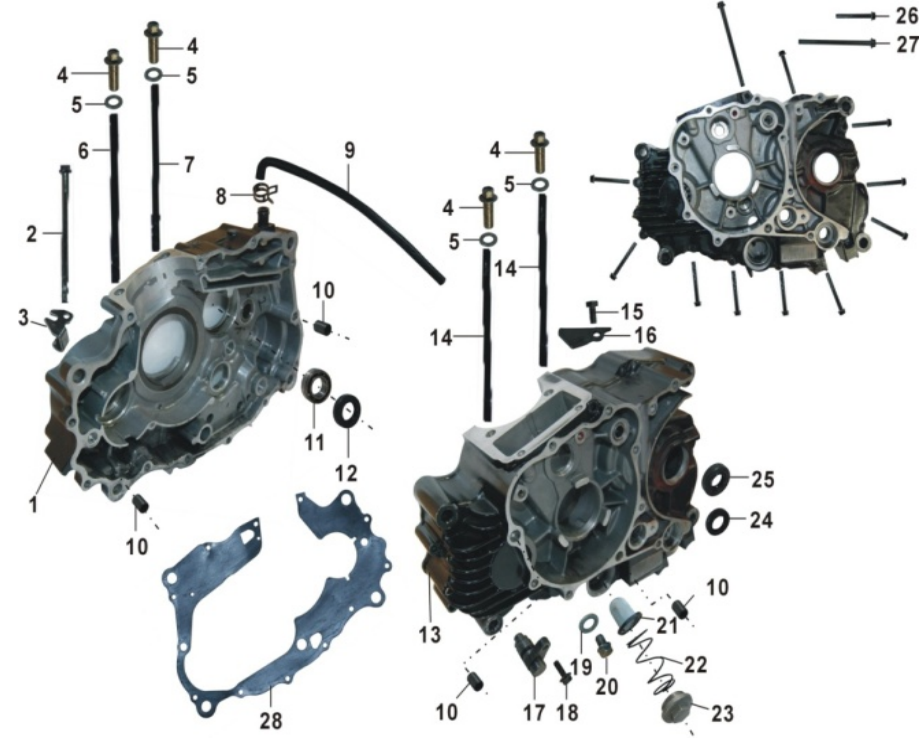
E02 = 化油器和发动机 / CARBURETOR AND ENGINE / CARBURADOR Y MOTOR

ITEM	UM Part #	Description	TURKCE
1	E02010018	CARBURETOR	KARBÜRATÖR
2	E02030017	200CC ENGINE ASSY (BLACK)	ALT MOTOR

E03 = 离合器 / CLUTCH / EMBRAGUE

ITEM	UM Part #	Description	TURKCE
1	E03020014	CLUTCH ASSEMBLY	DEBRİYAJ GÖBEĞİ
2	E03020001	OUTER CASE ASSEMBLY, CLUTCH	DEBRİYAJ GÖBEĞİ ELEMANLARI
3	E03060002	SPLINE WASHER, CLUTCH	DEBRİYAJ GÖBEĞİ ELEMANLARI
4	E03030001	PRESSURE PLATE, CLUTCH	DEBRİYAJ GÖBEĞİ ELEMANLARI
5	E03030002	FRICION PLATE, DRIVEN, CLUTCH	DEBRİYAJ GÖBEĞİ ELEMANLARI
6	E03030003	FRICION PLATE, DRIVE, CLUTCH	DEBRİYAJ GÖBEĞİ ELEMANLARI
7	E03020002	CENTRAL SLEEVE., CLUTCH	DEBRİYAJ GÖBEĞİ ELEMANLARI
8	E03060020	CIRCLIP 20, CLUTCH	DEBRİYAJ GÖBEĞİ ELEMANLARI
9	E03060001	SPRING, CLUTCH	DEBRİYAJ GÖBEĞİ ELEMANLARI
10	E03010001	END COVER, CLUTCH	DEBRİYAJ GÖBEĞİ ELEMANLARI
11	E08040008	BOLT M5×22	DEBRİYAJ GÖBEĞİ ELEMANLARI
12	E03050001	BEARING (16003)	DEBRİYAJ GÖBEĞİ ELEMANLARI
13	E03060003	PUSH ROD, CLUTCH	DEBRİYAJ GÖBEĞİ ELEMANLARI
14	E03060019	LOCATING SLEEVE, MAINSHAFT	DEBRİYAJ GÖBEĞİ ELEMANLARI



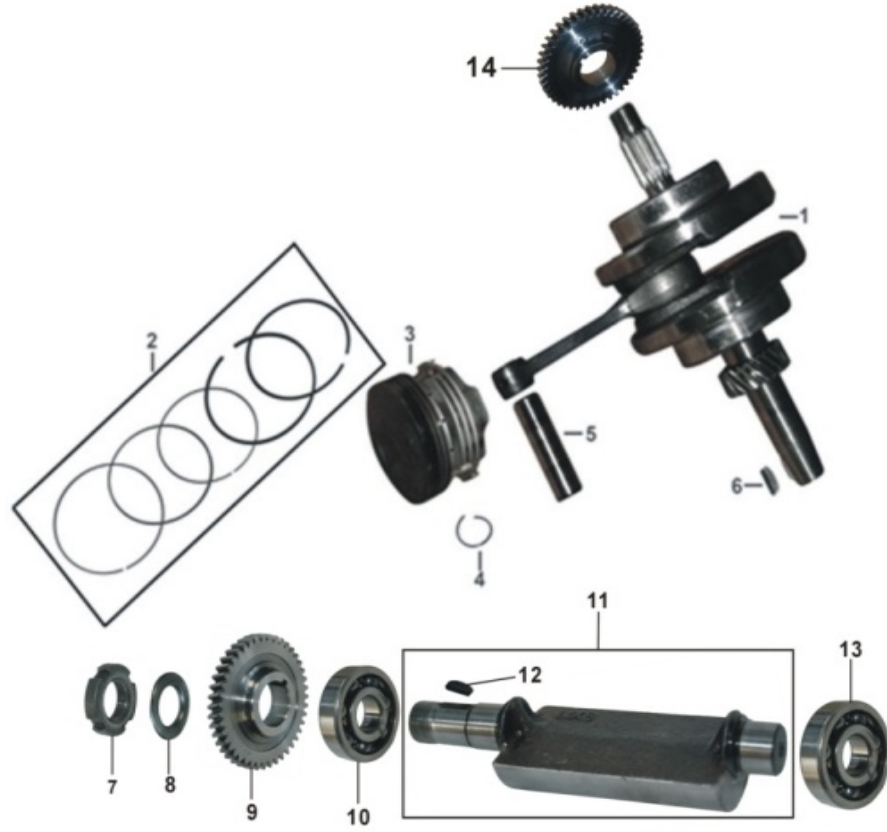


E04 = 曲轴箱 / CRANKCASE ASSEMBLY / CARCAZAS DE MOTOR (CARTER)

ITEM	UM Part #	Description	TURKCE
1	E04010010	ASSEMBLY, RIGHT CRANKCASE BLACK	KARTEL SAĞ
2	E04060017	BOLT	VİDA GRUBU
3	E04060002	STEEL BRACKET, CLUTCH	DEBRİYAJ HALAT TUTACAĞI
4	E04060004	NUT M8×32	VİDA GRUBU
5	E04060019	WASHER 12.5×2×22	VİDA GRUBU
6, 7	E04060005	STUD B	SİLİNDİR SAPLAMALARI
8	E04060045	BREATHER TUBE	MOTOR HAVALANDIRMA HORTUM KISKACI
9	E04020005	SEPARATOR, FUEL 1 AND AIR	MOTOR HAVALANDIRMA HORTUMU
10	E04060037	DOWEL PIN 10×14	VİDA GRUBU
11	E04030001	NEEDLE BEARING (NK152312)	BİLYA GRUBU
12	E04020007	OIL SEAL 20×34×7	KEÇE ÇEŞİDİ
13	E04010009	ASSEMBLY, LEFT CRANKCASE BLACK	KARTEL SOL
14	E04060003	STUD A	SİLİNDİR SAPLAMALARI
15	E13010002	BOLT M6×12	VİDA GRUBU
16	E04060023	RETAINER, CABLE	VİDA GRUBU
17	E04050004	ASSEMBLY, PRESSURE PIN	KRANK İTİCİ
18	E04060006	BOLT M6×28	VİDA GRUBU
19	E04060015	WASHER 12.5×1.5×20 (ALUMINIUM)	VİDA GRUBU
20	E04060016	OIL DRAIN PLUG M12×1.5	VİDA GRUBU
21	E04050003	ASSEMBLY, OIL FILTER SCREEN	YAĞ SÜZGEÇİ
22	E04050002	SPRING, OIL FILTER SCREEN	YAĞ TAPASI YAYI
23	E04050001	CAP, TAPPET ADJUSTING HOLE	YAĞ TAPASI
24	E04020002	OIL SEAL 14×28×7	KEÇE ÇEŞİDİ
25	E04030005	BEARING (6204)	KEÇE ÇEŞİDİ
26	E12060010	BOLT M6×40	VİDA GRUBU
27	E04060046	BOLT M6×50	VİDA GRUBU
28	E04020006	GASKET, CRANKCASE	KARTEL CONTASI

E05 = 曲轴 & 活塞 / CRANKSHAFT & PISTON / CIGÜEÑAL, PISTON Y ANILLOS

ITEM	UM Part #	Description	TURKCE
1	E05020001	ASSEMBLY, CONNECTING ROD CRANKSHAFT	KRANK
2	E05010005	ASSEMBLY, PISTON RING	SEKMAN TKM
3	E05010002	PISTON	PİSTON
4	E05010008	CIRCLIP, PISTON PIN	PİSTON PERNO PİMİ
5	E05010003	PISTON PIN	PİSTON PERNOSU
6	E05030001	SEMICIRCULAR KEY 25×14×4	KRANK KAMASI
7	E05030024	LOCK NUT M16×1-6H (LEFT)	BLANSÖR MALZ.
8	E13030005	THRUST WASHER 16.2×3×22.5	BLANSÖR MALZ.
9	E05030002	DRIVEN GEAR ASSEMBLY, BALANCE	BLANSÖR DİŞLİSİ
10	E05030003	BEARING (6203)	BİLYA GRUBU
11	E05030004	BALANCE SHAFT	BLANSÖR
12	E05030001	SEMICIRCULAR KEY 25×14×4	KRANK KAMASI
13	E05030005	BEARING (6303)	BİLYA GRUBU
14	E05030008	DRIVING GEAR, BALANCE	BLANSÖR DİŞLİSİ



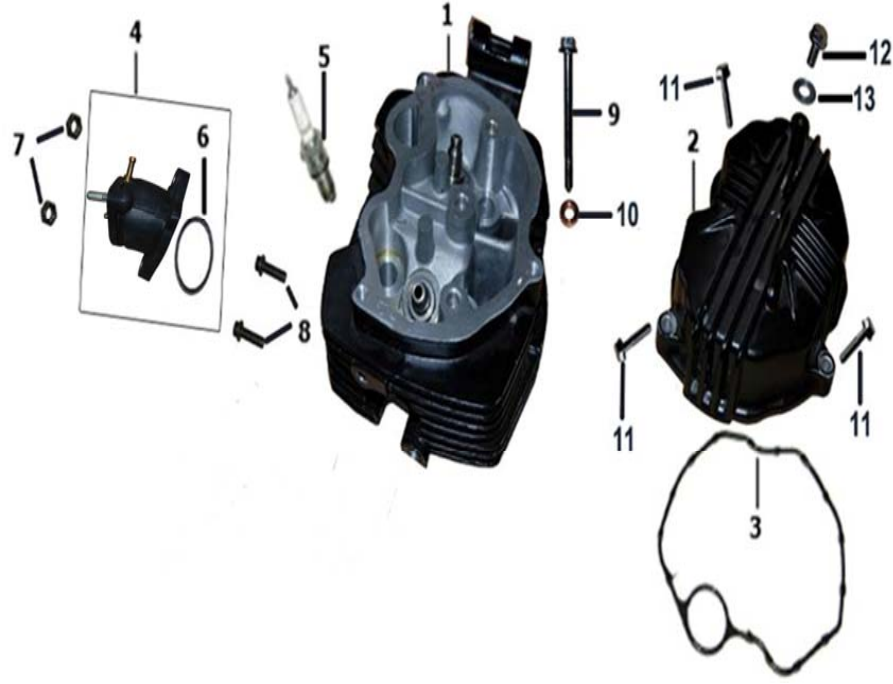
E06 = 汽缸体 / CYLINDER BLOCK / CILINDRO DE MOTOR

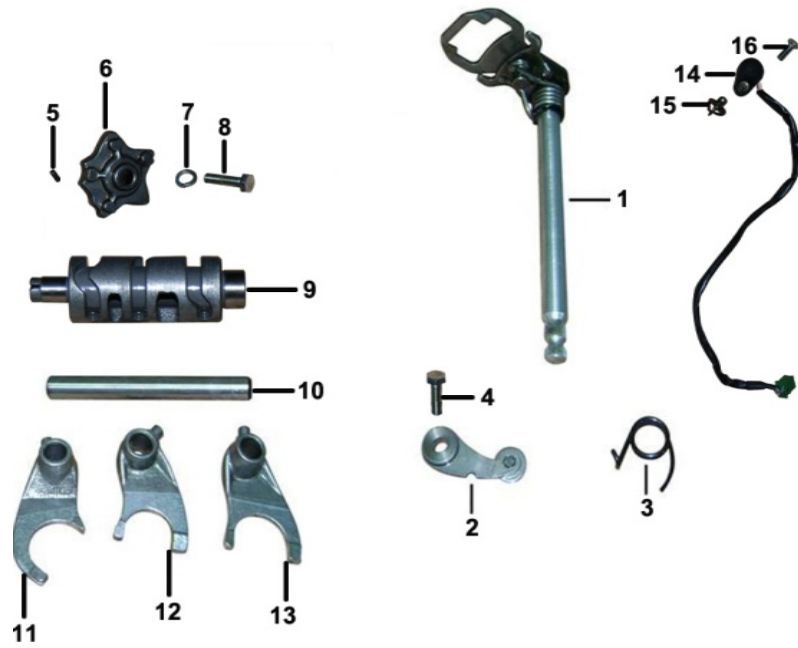
ITEM	UM Part #	Description	TURKCE
1	E06010001	CYLINDER BLOCK COMP, BLACK	SİLİNDİR
2	E06020002	GASKET ASSY,CYLINDER HEAD	SİLİNDİR ÜST CONTA
3	E06020001	GASKET,CYLINDER BLOCK	SİLİNDİR ALT CONTA
4	E06030004	DOWEL PIN 10×20	SİLİNDİR YÜZÜKLERİ
5	E06030012	O-RING 10×1.6	VİDA GRUBU



E07 = 汽缸头和盖 / CYLINDER HEAD & COVERS / CULATA Y CUBIERTAS

ITEM	UM Part #	Description	TURKCE
1	E07010043	CYLINDER HEAD ASSY, BLACK	SİLİNDİR ÜST KAPAK
2	E07010013	CYLINDER HEAD UPPER COVER, BLACK, SILVER	SİBOB KAPAĞI
3	E07030001	SEAL RING, CYLINDER HEAD UPPER COVER	OİRING CONTA
4	E07050015	PIPE COMP,INTAKE (JQ-18)	MANIFOLT
5	E07020001	SPARK PLUG (D8TC)	BUJİ
6	E07030002	O-RING 33.5×3	MANİFOLT CONTASI
7	E07040029	NUT M6	VİDA GRUBU
8	E07040004	BOLT M6×20	VİDA GRUBU
9	E07040003	BOLT M8×82	VİDA GRUBU
10	E07040001	WASHER 8.5×2.2×18	VİDA GRUBU
11	E08030001	BOLT M6×28	VİDA GRUBU
12	E13010002	BOLT M6×12	VİDA GRUBU
13	E07040001	WASHER 6.5×1×12	VİDA GRUBU



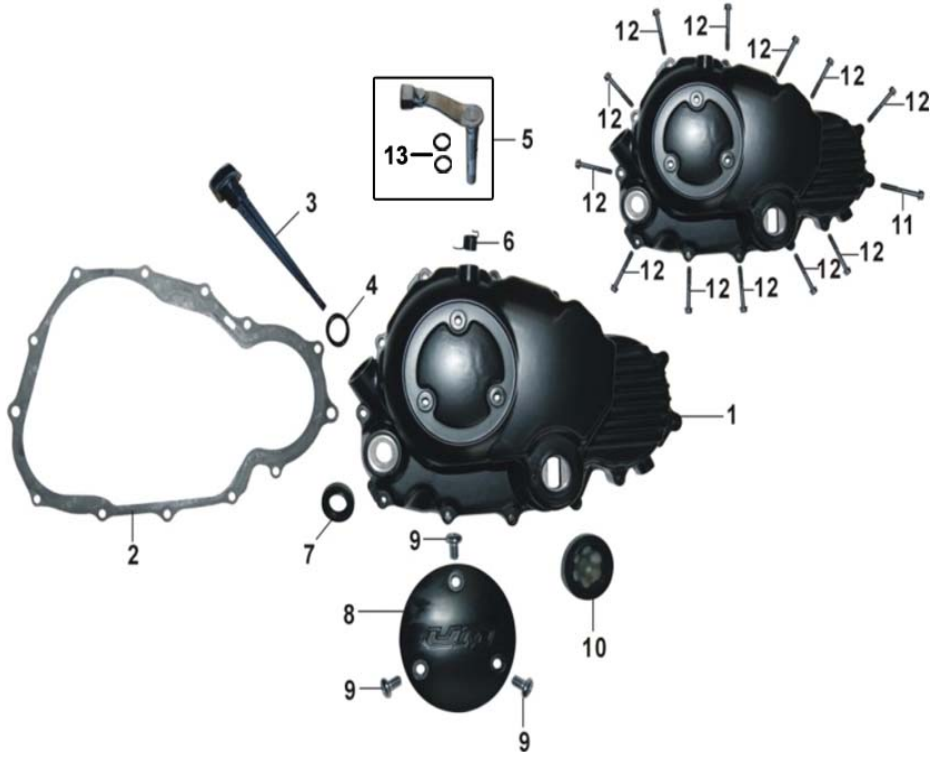


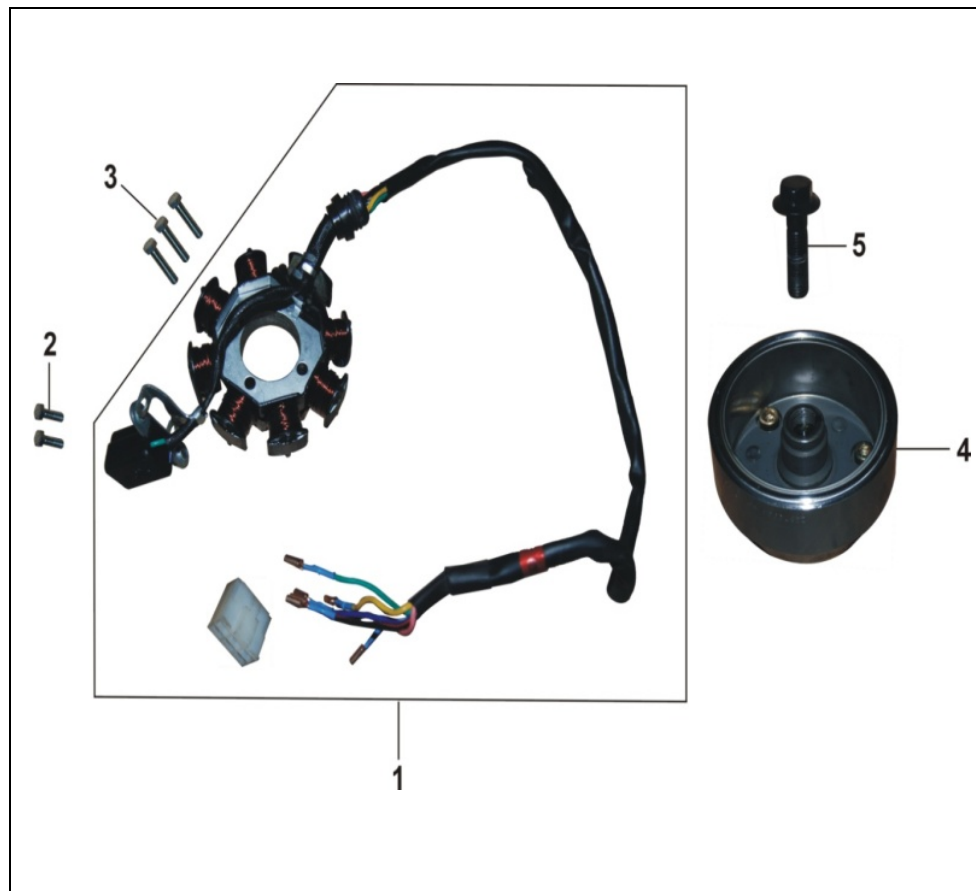
E08 = 齿轮 / GEAR SHIFTING / TAMBOR SELECTOR

ITEM	UM Part #	Description	TURKCE
1	E08010009	ASSEMBLY, GEARSHIFT LEVER	VİTES MİLİ
2	E08040002	ASSEMBLY, LOCATING PLATE	VİTES TOPU İTİCİSİ
3	E07040005	SPRING, LOCATING PLATE	VİTES TOPU İTİCİ YAYI
4	E08030001	BOLT M6×20	VİDA GRUBU
5	E08040001	PIN 4×10	VİTES TOPU YILDIZI PİMİ
6	E08010007	STOPPING PLATE	VİTES TOPU YILDIZI
7	E07040001	SPRING WASHER φ6	VİDA GRUBU
8	E08040008	BOLT M6×25	DEBRİYAJ GÖBEĞİ ELEMANLARI
9	E08010008	GEARSHIFT DRUM	VİTES TOPU
10	E08010003	SHAFT, FORK SPREADER	VİTES HİLAL MİLİ
11	E08010004	RIGHT FORK SPREADER,COUNTERSHAFT	VİTES HİLALİ
12	E08010005	FORK SPREADER, MAINSHAFT	VİTES HİLALİ
13	E08010006	LEFT FORK SPREADER, COUNTERSHAFT	VİTES HİLALİ
14	E04050006	CABLE ASSEMBLY, GEAR INDICATION	VİTES GÖSTERGE MUŞURÜ
15	E08030003	CONTACT. GEAR INDICATION	VİDA GRUBU
16	E08040022	BOLT M6×12	VİDA GRUBU

E09 = 左曲轴箱 / LEFT CRANKCASE COVER / CUBIERTA IZQUIERDA DE MOTOR

ITEM	UM Part #	Description	TURKCE
1	E09010014	ASSEMBLY, RIGHT CRANKCASE COVER BLACK	MOTOR KAPAĞI SAĞ
2	E12030001	GASKET, RIGHT CRANKCASE COVER	MOTOR CONTASI SAĞ
3	E09050016	DIPSTICK	YAĞ ÇUBUĞU
4	E09030009	O-RING 18x3	YAĞ ÇUBUĞU CONTASI
5	E12020001	CONTROLLING ARM ASSEMBLY, CLUTCH	DEBRİYAJ MİLİ
6	E09050017	SPRING, CONTROLLING ARM, CLUTCH	DEBRİYAJ MİL YAYI
7	E12030002	OIL SEAL 16x28x7	KEÇE ÇEŞİDİ
8	E09010015	DECORATE COVER, RIGHT CRANKCASE COVER BLACK+E1412	MOTOR KAPAĞI SAĞ DEKORU
9	E13010002	SCREW M6x12	VİDA GRUBU
10	E12050002	WINDOW, OIL LEVEL	YAĞ GÖSTERGE CAMI
11	E09050018	BOLT M6x45	VİDA GRUBU
12	E09050001	BOLT M6x40	MOTOR BAĞLANTI VİDALARI TKM
13	E09030016	O-RING 12x9x2	YAĞ ÇUBUĞU CONTASI

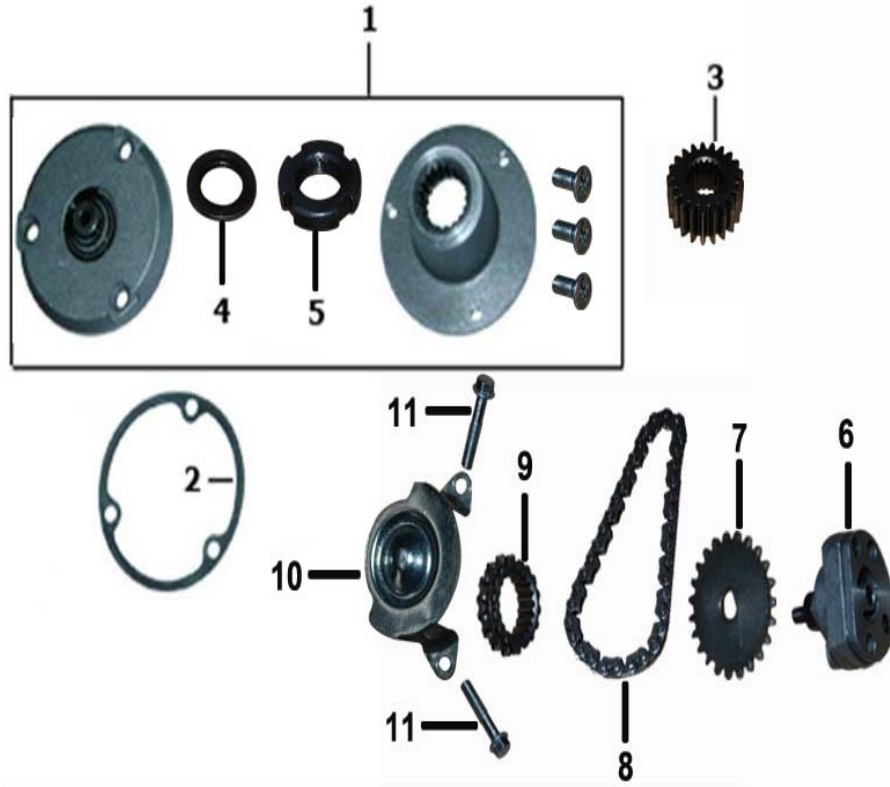




E10 = 磁电机 / MAGNETO / GENERADOR			
ITEM	UM Part #	Description	Spanish
1	E10010002	STATOR ASSEMBLY, MAGNETO	STATÖR
2	E10030004	SCREW M5×16	VİDA GRUBU
3	E10030005	BOLT M5×28	VİDA GRUBU
4	E10020001	ROTOR ASSEMBLY, MAGNETO	MANYETO TASI
5	E05030009	BOLT M10×36	VİDA GRUBU

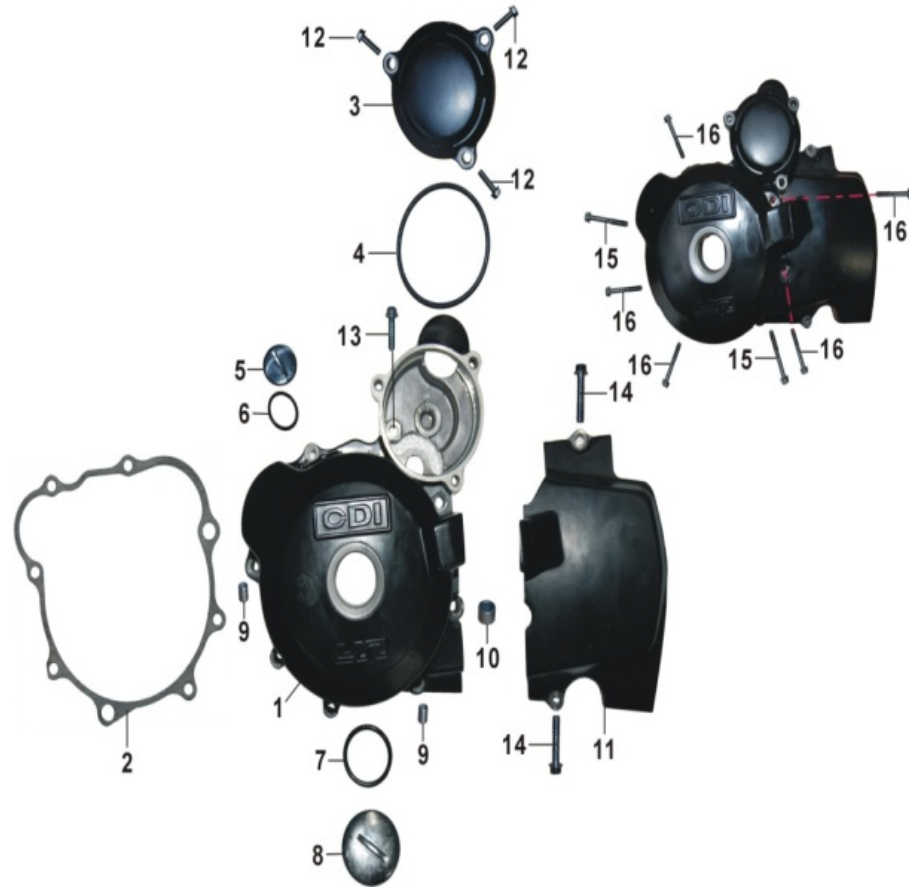
E11 = 油泵 & 汽油过滤器 / OIL PUMP&OIL FILTER COMP / BOMBA DE ACEITE Y FILTROS

ITEM	UM Part #	Description	Spanish
1	E11020001	ASSEMBLY, OIL FILTER	KRANK UCU
2	E11030004	GASKET, OIL FILTER COVER	YAĞ POMPA CONTASI
3	E05030007	DRIVE GEAR	DEBRİYAJ ÖN DİŞLİSİ
4	E11040009	DISH WASHER, CLUTCH	KRANK UCU PULU
5	E05030006	NUT, OIL FILTER	KRANK UCU SOMUNU
6	E11010001	OIL PUMP	YAĞ POMPASI
7	E11040008	DRIVE SPROCKET ASSEMBLY, OIL PUMP	YAĞ POMPA DİŞLİSİ
8	E11040001	CHAIN, OIL PUMP	YAĞLAMA ZİNCİRİ
9	E05030011	DRIVE SPROCKET, OIL PUMP	YAĞ POMPA DİŞLİSİ
10	E11010005	COVER, SPROCKET WHEEL, OIL PUMP	YAĞLAMA ZİNCİR MUIHAFAZASI
11	E13010002	BOLT M6×32	VİDA GRUBU



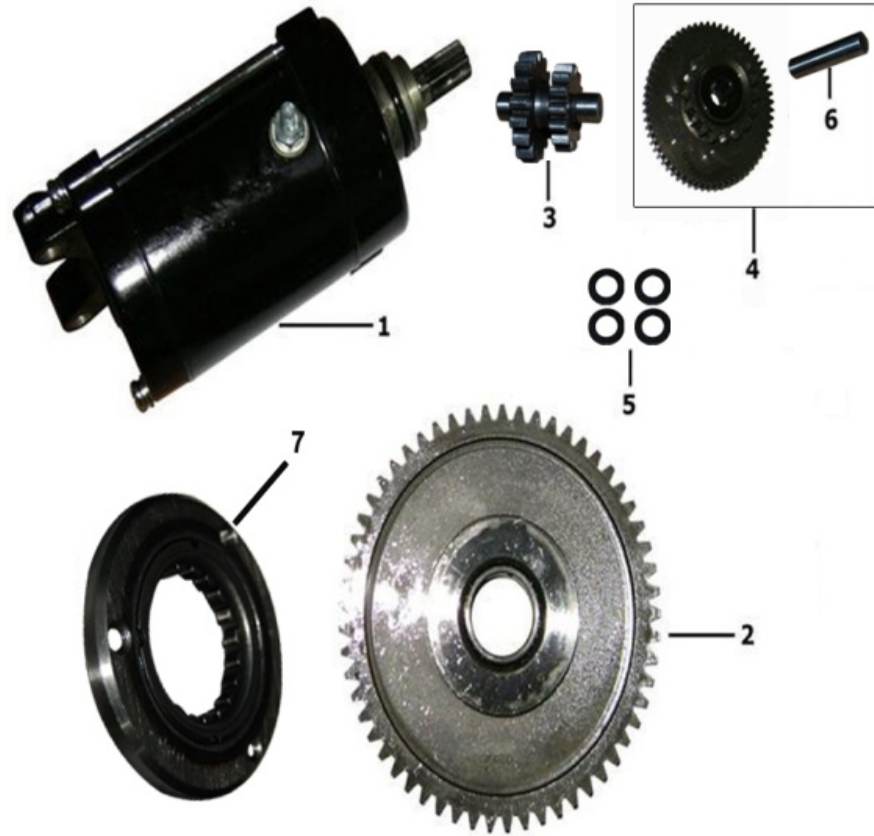
E12 = 右箱体 / RIGHT CRANKCASE COVER / CUBIERTA DERECHA DE MOTOR

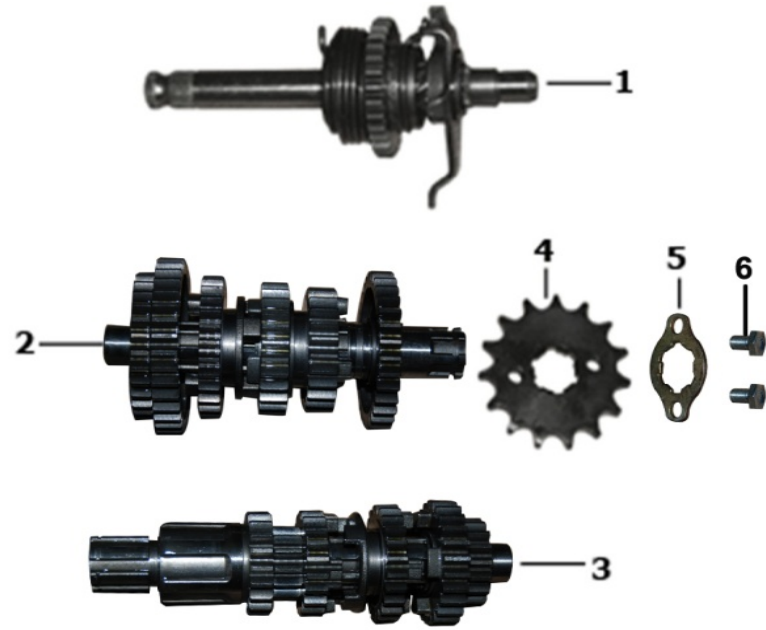
ITEM	UM Part #	Description	Spanish
1	E12010012	FRONT COVER, LEFT CRANKCASE BLACK	MOTOR KAPAĞI SOL
2	E09030001	GASKET, FRONT COVER, LEFT CRANKCASE	MOTOR CONTASI SOL
3	E12010015	COVER, DOUBLE GEAR	MARŞ MOTOR KAPAĞI
4	E09030002	O-RING 62×3	MARŞ MOTOR KAPAK CONTASI
5	E04060012	CAP, SMALL VIEW HOLE	MOTOR KAPAĞI SOL DEKORATİFİ ÜST
6	E12030004	O-RING 13.2×2.65	DEKARATİF CONTALARI
7	E12030005	O-RING 27.4×2.65	DEKARATİF CONTALARI
8	E12010014	DECORATE COVER, FRONT COVER	MOTOR KAPAĞI SOL DEKORATİFİ YAN
9	E04060021	DOWEL PIN 10×14	VİDA GRUBU
10	E13020001	NEEDLE BEARING (HK101410)	VİDA GRUBU
11	E12010013	REAR PART, LEFT CRANKCASE COVER	ÖN ZİNCİR DİŞLİ KAPAĞI
12	B06100001	BOLT M6×20	VİDA GRUBU
13	E04060006	BOLT M6×25	VİDA GRUBU
14	E12060012	BOLT M6×28	VİDA GRUBU
15	E09050003	BOLT M6×50	MOTOR BAĞLANTI VİDALARI
16	E09050001	BOLT M6×40	MOTOR BAĞLANTI VİDALARI TKM



E13 = 启动马达 / STARTING MOTOR / ARRANQUE DE MOTOR

ITEM	UM Part #	Description	Spanish
1	E13010001	STARTING MOTOR ASSY, BLACK	MARŞ MOTORU
2	E13020005	STARTER GEAR	MARŞ DİŞLİSİ
3	E13020003	GEAR,CONNECTED,2	MAŞ MOTOR DİŞLİSİ
4	E13020002	GEAR,CONNECTED,1	MARŞ MOTOR DİŞLİ KARŞILIĞI
5	E13030001	WASHER 10.5×0.5×18	VİDA GRUBU
6	E13010004	GEARSHAFT,CONNECTED	MARŞ MOTOR DİŞLİ KARŞILIĞI PERNOSU
7	E13020004	STARTER CLUTCH COMP.	MARŞ KİTLEMESİ





E14 = 传动系统 / TRANSMISSION / TRANSMISION

ITEM	UM Part #	Description	Spanish
1	E14020002	ASSEMBLY, KICK STARTING SHAFT	MARŞ MİLİ
2	E14020003	ASSEMBLY, COUNTERSHAFT	VIDA GRUBU
3	E14020004	ASSEMBLY, MAINSHAFT	VİTES DİŞLİSİ
4	E14010001	DRIVE SPROCKET	ÖN ZİNCİR DİŞLİSİ
5	E14040001	FIXING PLATE, DRIVE SPROCKET	ÖN ZİNCİR DİŞLİ PULU
6	E04060042	BOLT M6×10	VIDA GRUBU