

Lambretta 150 d/lđ/lđ electric starter
125 lđ derived

**Spare
Parts
Catalogue**



Lambretta 150 d /ld /ld electric starter
125 ld derived

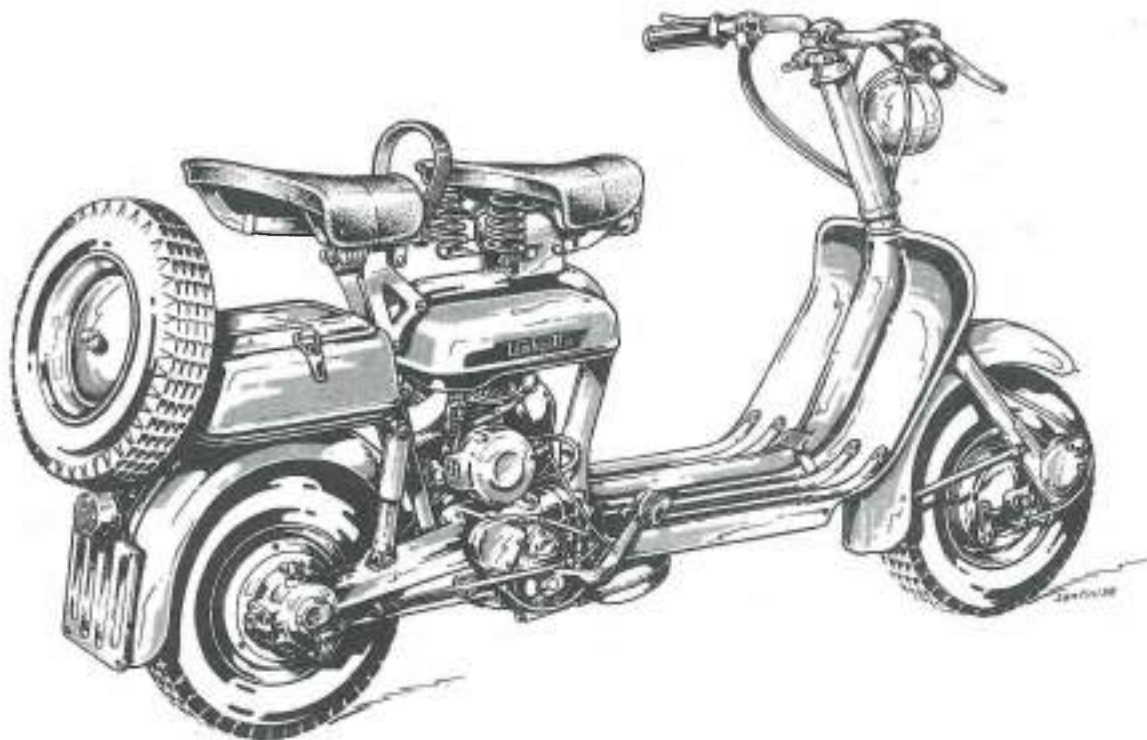
**Spare
Parts
Catalogue**



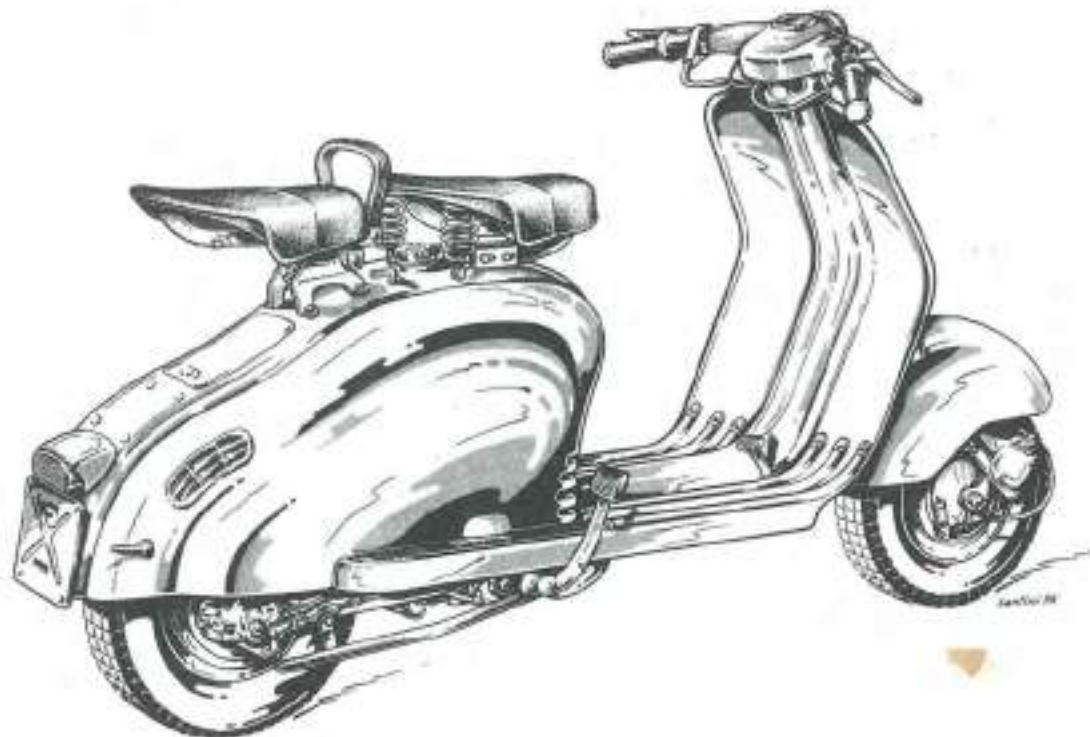
**INDEX
OF
SECTION**

Cylinder crankcase and transmission case	I
Crankshaft and piston	II
Clutch	III
Gear box components	IV
Transmission and rear axle components	V
K/start solution (11 M 400 - 11 M 400/1 - 11 M 400/2)	VI
K/start solution (11 M 400/4 - 11 M 400/6)	VII
Epicyclical starter	VIII
Fuel tank and carburettors	IX
Exhaust silencers components	X
Cooling	XI
Frames and suspensions	XII
Handlebar and fork components	XIII
Wheels and brakes	XIV
Electrical equipments (D/LD 1956 - LD/1956 electric starter)	XV
Electrical equipments (LD/1957 - LD/1957 electric starter)	XVI
Electric starter	XVII
Flywheel magneto « Filso » and « Marelli »	XVIII
Panel and frame components	XIX
Cables and controls	XX
Accessories	XXI

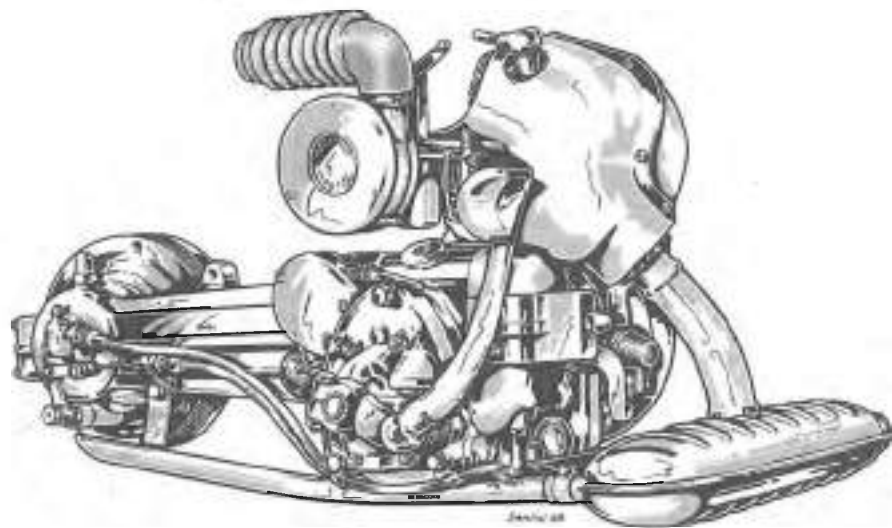
Lambretta 150 J



Lambretta 150 Id



ENGINE ASSEMBLY



WARNING !!!

This catalogue cancels and substitutes all previous publications concerning the following « Lambretta » models:

150 D-LD - LD electric starter

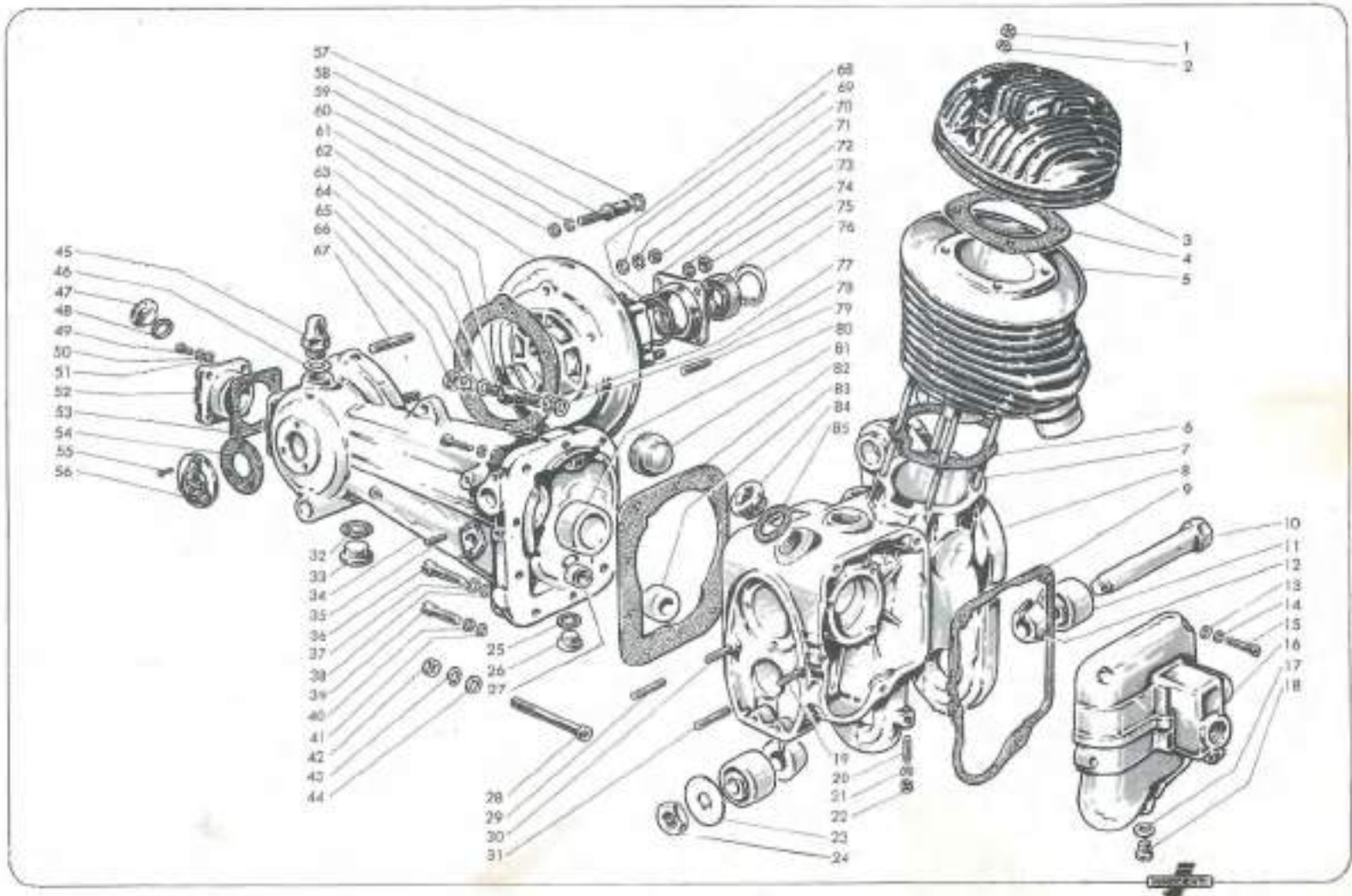
125 LD derived

Productions 1955 - 1956 - 1957 - 1958

Lambretta

Fig. No.	Part No.	Description	Quantity	Fig. No.	Part No.	Description	Quantity
1	11110104	Nut, cylinder head	4	30	70060838	Stud, short, fixing epicyclical starter cover	1
2	73010074	Plain washer, for nuts at fig. 1	4	31	11110486	Stud, long, fixing k/start cover	1
3	11110221	Head, cylinder	(LD/125)	32	86012836	Gasket, for rear bevel couple checking plug	1
	11110202	Head, cylinder	(LD/150)		86012432	Gasket, for rear bevel couple checking plug	1
4	11110203	Gasket, cylinder head	(D-LD/150)	33	85802801	Plug, for checking rear bevel couple	1
	11110222	Gasket, cylinder head	(LD/125)		85802401	Plug, for checking rear bevel couple	1
5	11110201	Cylinder	(D-LD/150)	34	11331017	Transmission case, complete with figs. 27 - 35 - 45 - 46 - 67 - 80	1
	11110220	Cylinder	(LD/125)		35	11330111	Stud, gear selector lever
6	11110103	Gasket, cylinder base	1	36	71060620	Screw, for fixing transmission case/crankcase	4
7	11110106	Stud, cylinder head (standard)	4	37	02110111	Spring washer, for screw at fig. 36	4
	11110141	Stud, cylinder head (oversize)	—	38	02110110	Plain washer, for screw at fig. 36	4
8	11111012	Crankcase, complete with figs. 7 - 20 - 81 - 83	1	39	02110114	Screw, for fixing transmission case/crankcase	4
	11111014	Crankcase, complete with figs. 7 - 20 - 29 - 31 - 81 - 83	1	40	02110116	Spring washer, for screw at fig. 39	4
9	12111012	Crankcase (epicyclical starter), complete with figs. 7 - 19 - 20 - 30 - 81 - 83	1	41	02110115	Plain washer, for screw at fig. 39	4
	07060159	Gasket, clutch cover	1	42	72000008	Nut, for screw at fig. 28	1
10	07110150	Spindle, for engine oscillation	1	43	73170084	Spring washer, for screw at fig. 28	1
11	15010020	Silent-block, for engine oscillation	2	44	73030084	Plain washer, for screw at fig. 28	1
12	07110151	Cone, locking spindle	2	45	15010090	Breather	1
13	02110110	Plain washer, for screws at fig. 15	5	46	86011622	Gasket, for breather	1
14	02110111	Spring washer, for screws at fig. 15	5	47	85801602	Plug, oil filler	1
15	71060625	Screw, for fixing clutch cover	5	48	86011622	Gasket, oil filler plug	1
16	07060121	Cover, clutch	1	49	71420412	Screw, (countersunk) for fixing end cover	4
17	14010014	Gasket, for oil level plug	1		70360414	Screw, (hexagonal) for fixing end cover	4
18	14010013	Plug, oil level	1	50	73170043	Spring washer, for screw at fig. 49	4
19	12110434	Stud, long, for fixing epicyclical starter cover	1	51	73030043	Plain washer, for screw at fig. 49	4
20	11180444	Stud, fixing silencer	1	52	07330105	End cover, transmission case	1
21	73170064	Spring Washer, for nut at fig. 22	1	53	07330108	Gasket, for end cover	1
22	72030006	Nut, fixing silencer	1	54	07330109	Gasket, for cover plate	1
23	07110152	Thrust Washer, for spindle	1	55	71420512	Screw, for fixing cover plate	3
24	72070018	Nut, for spindle	1	56	07330103	Cover plate	1
25	86011622	Gasket, for drain plug	1	57	73260012	Circlip, for locking brake shoe	1
26	85801602	Plug, oil drain	1	58	07330337	Pin, rear brake shoe	1
27	06110124	Bush, layshaft	1	59	73170084	Spring washer, for fig. 58	1
28	11110121	Locating screw, for crankcase/transmission case	1	60	73030084	Plain washer, for fig. 58	1
29	11110485	Stud, short, fixing k/start cover	1	*61	07331016	Back plate, (∅ mm. 160) with studs at fig. 79	1
					11331016	Back plate, (∅ mm. 151) with studs at fig. 79	1

* See instruction to Section XIV - Fig. 25.



Lambretta

Fig. No.	Part No.	Description	Quantity	Fig. No.	Part No.	Description	Quantity
62	07330323	Gasket, rear wheel back plate	1	75	99094308	Oil seal, (22 x 40 x 7) stub axle bearing	1
63	08010534	Attaching screw, for engine earth wire	1	76	73250040	Circlip, retaining oil seal	1
64	73010064	Plain washer, for screw at fig. 63	1	77	02110111	Spring washer, for screw at fig. 63	1
65	73170064	Spring washer, for screw at fig. 63	1	78	02110110	Plain washer, for screw at fig. 63	1
66	72030006	Nut, for screw at fig. 63	1	79	99094311	Stud, for fixing end plate	4
67	07330110	Stud, for locking rear back plate	4	80	07330107	Bush, for needle	1
68	99094356	Seal ring, for back plate	1	81	{ 07111016	Rebound buffer, for crankcase 11111012/11111014	1
69	73030084	Plain washer, for nut at fig. 71	4		{ 111110127	Rebound buffer, for crankcase 12111012 }	1
70	73170084	Spring washer, for nut at fig. 71	4	82	12110102	Gasket, crankcase/transmission case	1
71	72030008	Nut, for studs at fig. 67	4	83	{ 06110124	Bush, for layshaft (for crankcase 11111012/11111014)	1
72	99094309	End plate, stub axle bearing	1		{ 111110126	Bush, for layshaft (for crankcase 12111012)	1
73	73170064	Spring washer, for nut at fig. 74	4	84	85802801	Plug, oil filler	2
74	72060006	Nut, for studs at fig. 79	4	85	86012836	Gasket, oil filler plug	2

cont. 1

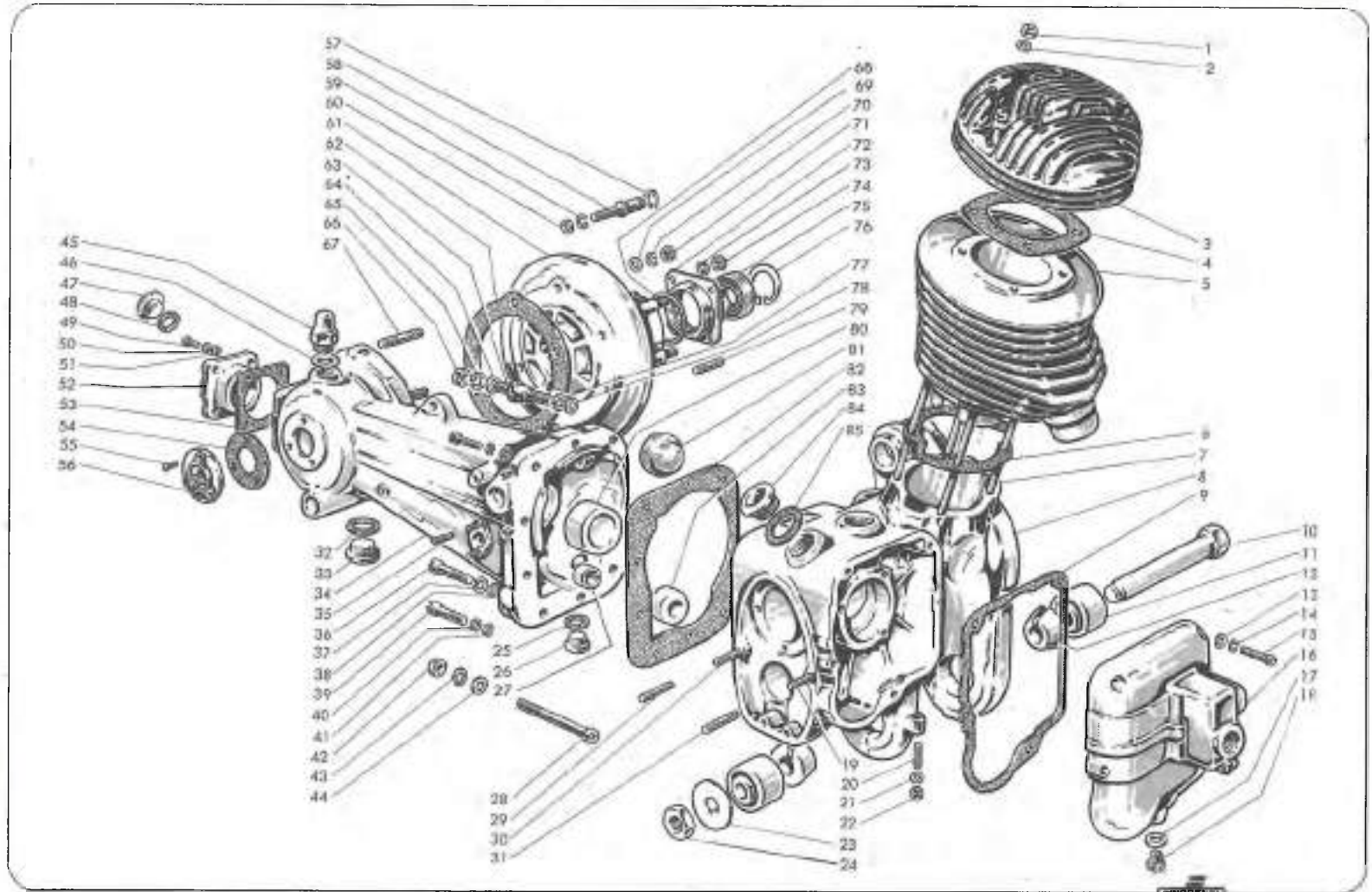


Fig. No.	Part No.	Description	Quantity	Fig. No.	Part No.	Description	Quantity
1	99091208	Piston ring, standard \varnothing 52	(LD/125) 2	6	11111306	Piston, standard \varnothing 52 (for gudgeon pin \varnothing 16)	(LD/125) 1
	99091239	Piston ring, oversize \varnothing 52,2			11111326	Piston, oversize \varnothing 52,2 (for gudgeon pin \varnothing 16)	
	99091241	Piston ring, oversize \varnothing 52,4			11111327	Piston, oversize \varnothing 52,4 (for gudgeon pin \varnothing 16)	
	99091242	Piston ring, oversize \varnothing 52,6			11111328	Piston, oversize \varnothing 52,6 (for gudgeon pin \varnothing 16)	
2	11110324	Piston ring, standard \varnothing 57	(LD/150) 3	7	11110362	Gudgeon Pin, standard \varnothing 16	(LD/125) 1
	11110334	Piston ring, oversize \varnothing 57,2			11110363	Gudgeon pin, oversize \varnothing 16,1	
	11110335	Piston ring, oversize \varnothing 57,4			11110364	Gudgeon pin, oversize \varnothing 16,2	
3	11110336	Piston ring, oversize \varnothing 57,6	(D-LD/150) 1	8	11110140	Nut, for locking flywheel side bearing	1
	11110323	Gudgeon pin, standard \varnothing 14		9	11110139	Thrust washer, for nut at fig. 8	1
	11110332	Gudgeon pin, oversize \varnothing 14,1		10	73250047	Circlip, retaining bearing	1
4	11110333	Gudgeon pin, oversize \varnothing 14,2	(D-LD/150) 2	11	11110351	Oil seal, (31 x 47 x 7) flywheel side	1
	11110346	Gudgeon pin, standard \varnothing 16		12	73250047	Circlip, retaining bearing	1
	11110347	Gudgeon pin, oversize \varnothing 16,1		13	11110142	Spacer, flywheel side bearing	1
5	11110348	Gudgeon pin, oversize \varnothing 16,2	(D-LD/150-LD/125) 2	14	11110309	Seal ring	1
	73250014	Circlip, for gudgeon pin \varnothing 14		15	11110326	Ball bearing, main flywheel side	1
5	73250016	Circlip, for gudgeon pin \varnothing 16	(D-LD/150) 1	16	11110351	Oil seal, (31 x 47 x 7)	1
	11111026	Piston, standard \varnothing 57 (for gudgeon pin \varnothing 14)		17	11110310	Key, woodruff, flywheel side	1
	11111231	Piston, oversize \varnothing 57,2 (for gudgeon pin \varnothing 14)		18	73250047	Circlip, retaining bearing	1
	11111236	Piston, oversize \varnothing 57,4 (for gudgeon pin \varnothing 14)		19	11110307	Thickness washer, flywheel side bearing	1
	11111241	Piston, oversize \varnothing 57,6 (for gudgeon pin \varnothing 14)		20	—	Not supplied - Must be replaced with figs. 13 - 19	
	11111021	Piston, standard \varnothing 57 (for gudgeon pin \varnothing 16)		*21	11110351	Oil seal, (31 x 47 x 7) drive side bearing	1
	11111022	Piston, oversize \varnothing 57,2 (for gudgeon pin \varnothing 16)		*22	73250047	Thickness washer, drive side bearing	1
	11111023	Piston, oversize \varnothing 57,4 (for gudgeon pin \varnothing 16)		**23	11110316	Roller bearing, drive side	1
	11111024	Piston, oversize \varnothing 57,6 (for gudgeon pin \varnothing 16)		24	73170053	Spring washer, for screw at fig. 25	3
				25	70360514	Screw, fixing flange at fig. 34	3
		26	11110326	Ball bearing, for crankshaft	1		
		27	11110318	Shim, for gear bevel pinion	1		
		28	07110340	Thrust washer, for nut at fig. 29	1		
		29	07110339	Nut, for locking gear bevel pinion	1		

* These items have been replaced from the flange number 11111356 (see fig. 34) after machine:

Engine no. 39515 for D/150
 Engine no. 167530 for LD/150
 Engine no. 289206 for LD/125.

** When it is required to replace the gear bevel couple on 150/D model (from engine number 5010 to 5853) and 150/LD (from engine number 105003 to 105487) also the roller bearing 11110316 must be replaced with the double ball bearing 11110326 by boring the housing in the crankcase.

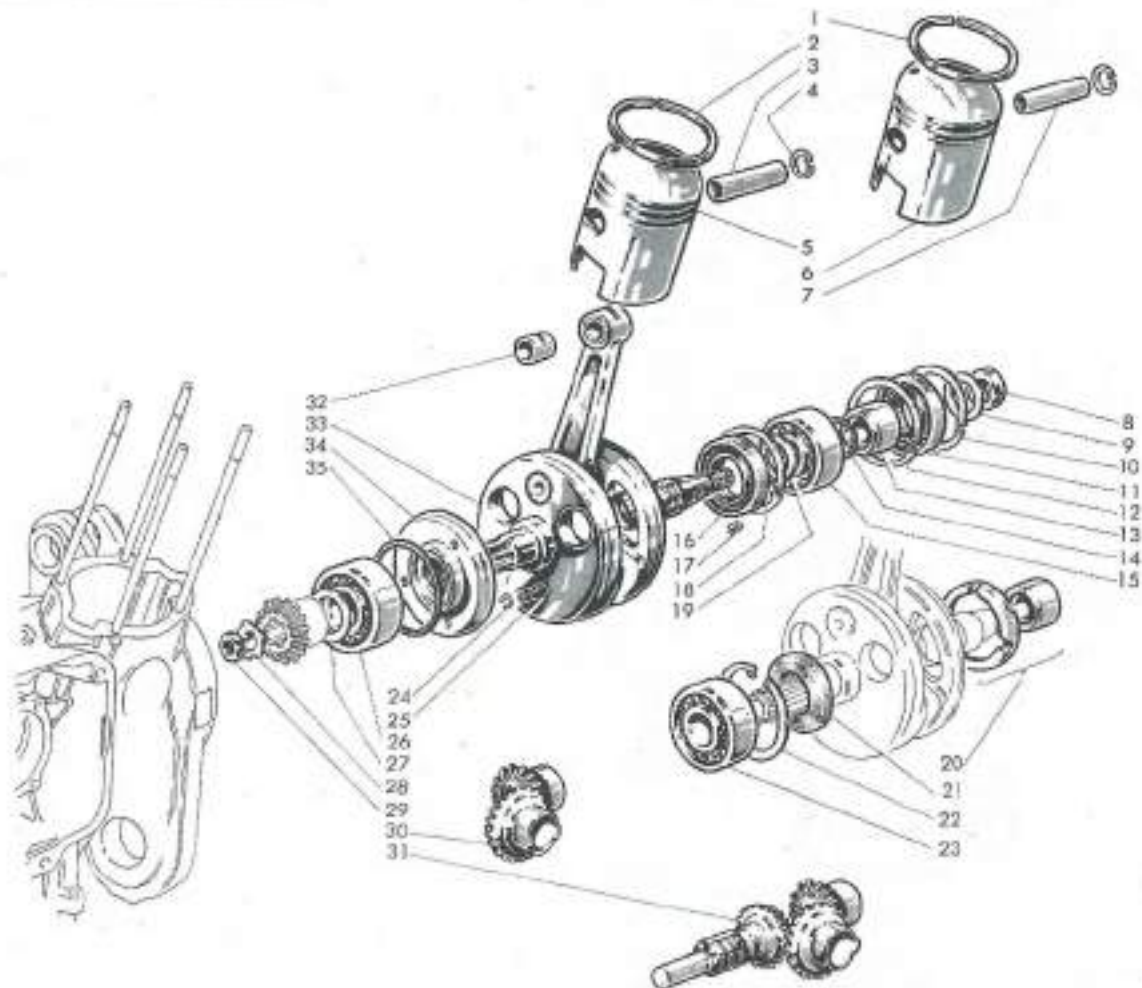


Fig. No.	Part No.	Description	Quantity	Fig. No.	Part No.	Description	Quantity
	11110000	Gear bevel couple (straight teeth Z = 19/26)	1	31	11110005	Reduced gear, (Z = 17/25)	1
	11110001	Gear bevel couple (helical teeth Z = 19/26)	—	32	11110354	Bush, small end (Ø 14)	1
	11110002	Gear bevel couple (coniflex teeth Z = 19/26) for epicyclical starter	—		15012008	Bush, small end (Ø 16)	1
**30	11110004	Gear bevel couple (straight teeth, reduced gear Z = 17/25) to couple with pinion number 40111246 or pinion 40111266	1	33	11111191	Crankshaft, complete with fig. 32	1
				34	11111356	Flange, with oil seal, for locking drive side bearing (please see *)	1
				35	11110342	Seal ring, for drive side bearing	1

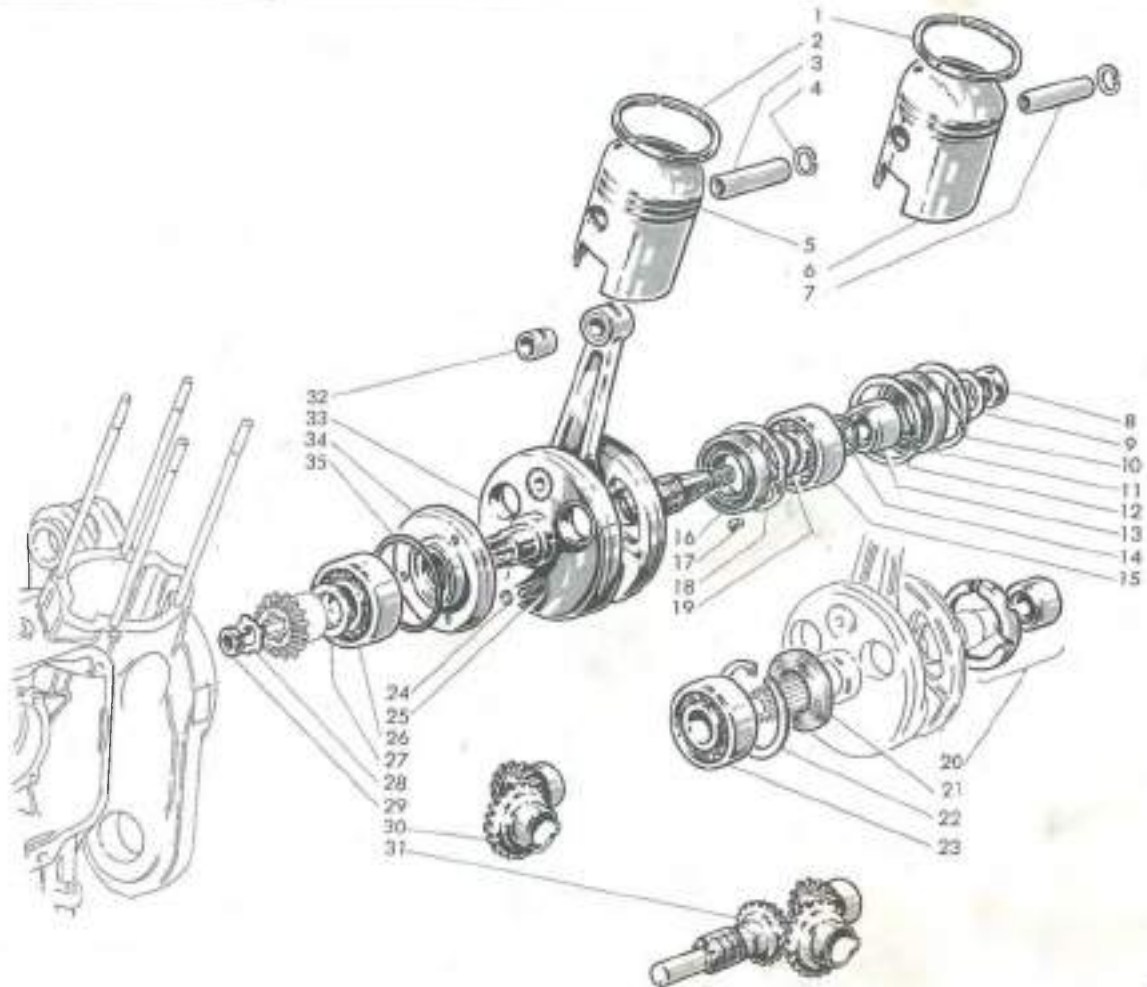
* These items have been replaced from the flange number 11111356 (see fig. 34) after machine:

Engine no. 39515 for D/150

Engine no. 167530 for LD/150

Engine no. 289206 for LD/125.

** When it is required to replace the gear bevel couple on 150/D model (from engine number 5010 to 5853) and 150/LD (from engine number 105003 to 105487) also the roller bearing 11110316 must be replaced with the double ball bearing 11110326 by boring the housing in the crankcase.



Lambretta

Fig. No.	Part No.	Description	Quantity	Fig. No.	Part No.	Description	Quantity
1	02060129	Bush, clutch drive hub	2	23	02060103	Plate, clutch pressure	1
2	11061011	Hub, with bushes at fig. 1	1	24	02060102	Circlip ring, clutch pressure plate	1
3	07060163	Shim, for bevel pinion	1	25	03060150	Lever, internal, clutch control	1
4	15012015	Ball bearing	1	26	70360512	Screw, for locking adjustment support	2
5	07060156	Retaining flange, clutch bearing	1	27	73170053	Spring washer, for screw at fig. 26	2
6	07060125	Clutch bell	1	28	74401522	Split pin, for lever at fig. 29	1
7	07060155	Thrust washer, for nut at fig. 8.	1		11060166	Lever, external, clutch control	1
8	02060122	Nut, for locking clutch bell	1	29	40060166	Lever, external, clutch control (for epicyclical starter)	1
9	73231112	Circlip, for splined collar	1	30	03060132	Return spring, for clutch lever	1
10	07060123	Splined collar, for clutch	1	31	02030210	Plain washer, for clutch lever	1
11	07060124	Thrust washer, for splined collar	1	32	02030209	Gasket, clutch lever	1
12	11060167	Nut, for locking splined collar	1	33	73260023	Circlip, clutch pull rod cup	1
13	11061046	Driving disc, cork lined	3	34	07060147	Bush, clutch pull rod	1
14	02060120	Driven disc	2	35	72060005	Nut, for clutch pull rod	2
15	11060170	Pull rod, for clutch	1	36	02060153	Gasket, clutch cover plug	1
16	73250018	Circlip, retaining balls spacer	1	37	07060145	Plug, clutch cover	1
17	12060173	Spacer, for balls	1		11060305	Adjustment support, clutch control cable	1
18	78920532	Ball, for pull rod	10		40060305	Adjustment support, clutch control cable (for epicyclical starter)	1
19	11060169	Cup, clutch pull rod balls	1	38			
20	02060106	End plate, clutch	1	39	02060157	Screw, fixing flange at fig. 5	3
21	40060105	Spring, for clutch disc	6	40	08060126	Clutch bell, for electric starter motor	1
22	99092008	Retaining cup, for clutch springs	6				

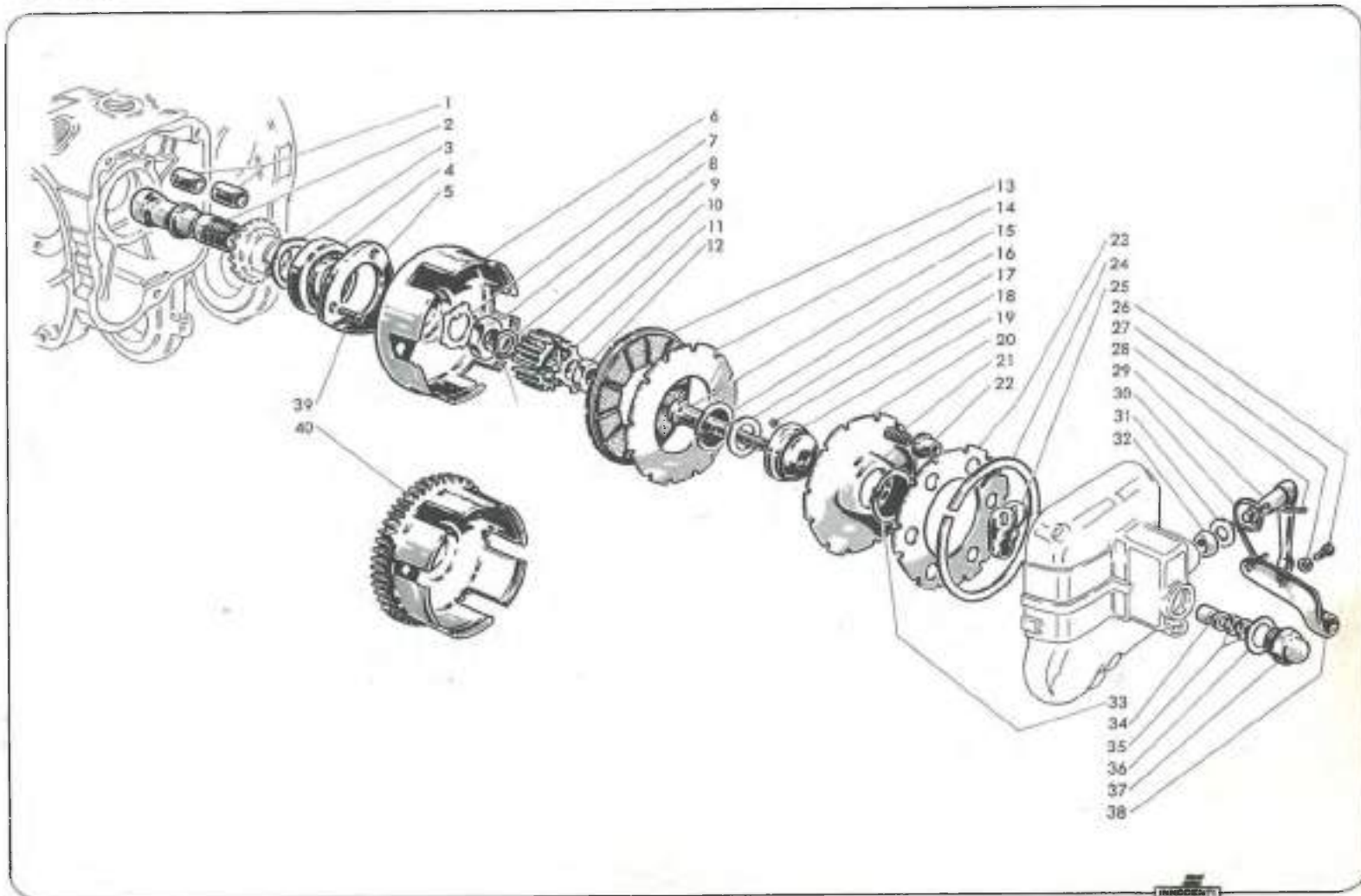
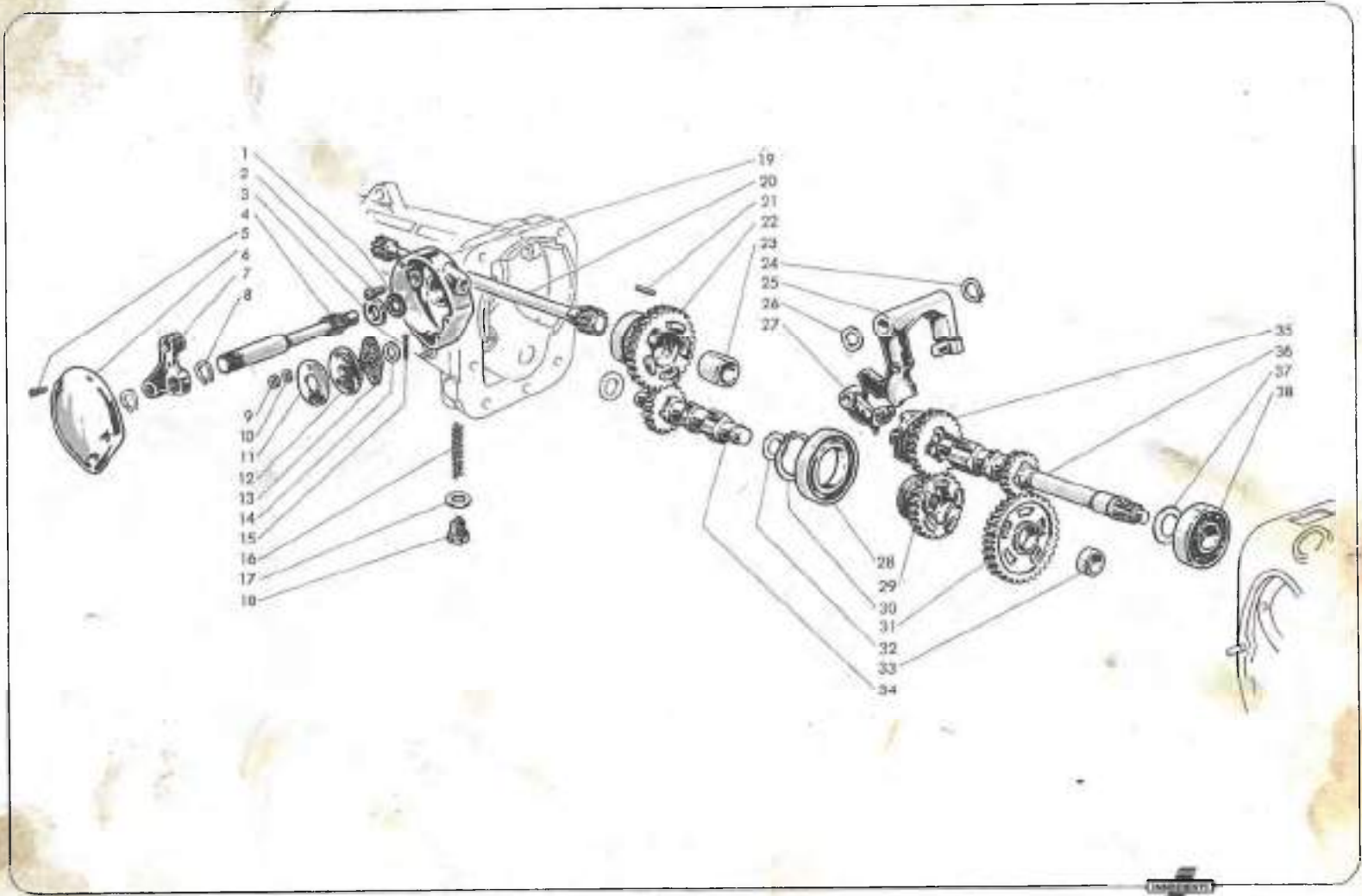


Fig. No.	Part No.	Description	Quantity	Fig. No.	Part No.	Description	Quantity
1	15031013	Seal gasket, selector box	1	20	11330206	Transmission shaft	1
2	71480614	Screw, for fixing selector box	3	21	85003158	Roller, for neutral gear on main shaft	24
3	11030304	Centering bush, selector box	1		11031086	Neutral gear, on main shaft with bush at fig. 23	1
4	11030204	Shaft, gear selector lever	1	22	11031131	Neutral gear, on main shaft with bush at fig. 23 (for LD/125)	1
5	71420412	Screw, for fixing selector box cover	3		11031018	Bush, for neutral gear	1
6	11030302	Cover, gear selector box	1	23	73230901	Circlip, internal gear selector lever	1
	11030303	Lever, gear control cable	1	24	11031046	Lever, internal, gear selector	1
7	11030315	Lever, gear control cable	1	25	83011201	Thickness washer, for lever at fig. 25	1
	12030315	Lever, gear control cable (for epicyclical starter)	1	26	11031011	Operating lever, for gear selector	1
8	73260012	Circlip, operating lever	2	27	07030103	Slip ring, gear selector	1
9	72030005	Nut, for locking adjuster pin at fig. 12	2	28	11030124	2nd gear, on layshaft	1
10	73170053	Spring washer, for nut at fig. 9	2	29	73260030	Circlip, retaining slip ring	1
11	11030215	Cover plate, adjuster pin	1	30	11031091	Neutral gear, on layshaft with bush at fig. 33	1
12	11030208	Adjuster pin, operating lever	1	31	06030110	Shim, for layshaft bush	2
13	11030210	Gasket, for adjuster pin	1	32	11030106	Bush, for neutral gear on layshaft	1
14	11030212	Thickness washer, operating lever	1	33	11031051	Layshaft	1
15	74401522	Split pin, for adjuster pin	1	34	11031111	Layshaft (LD/125)	1
16	11030211	Return spring, selector operating lever	1	35	11030123	2nd gear, on main shaft	1
17	11030214	Adjustment washer, spring selector operating lever	1	36	11031056	Main shaft	1
18	11030213	Adjustment screw, spring selector operating lever	1	37	11030115	Thickness washer, main shaft	1
19	11030307	Box, gear selector	1	38	07330207	Ball bearing, main shaft	1
	12030307	Box, gear selector (for epicyclical starter)	1				



Lambretta

Fig. No.	Part No.	Description	Quantity	Fig. No.	Part No.	Description	Quantity
1	99094345	Cone washer, retaining bearing	2	12	07330207	Ball bearing	1
2	99094348	Thickness disc, for retaining plate	1	13	15045005	Screw, locking stub axle nut	1
3	99094336	Plate, retaining bearing	1	14	73179053	Spring washer, for screw at fig. 13	1
4	14010213	Ball bearing	1	15	19045060	Nut, for locking rear wheel hub	1
5	07330306	Plain washer, for nut at fig. 6	1	16	83100016	Spring washer, for nut at fig. 15	1
6	07330324	Castle nut, for locking bevel gear	1	17	74850465	Key woodruff, stub axle	1
7	74400330	Split pin, castle nut	1	18	12330311	Stub axle	1
8	07330000	Rear bevel couple, (Z 13/45)	1	19	14010213	Ball bearing, for stub axle	1
	08330001	Rear bevel couple, (Z 12/45)	(LD/125) 1	20	07330313	Distance piece, for stub axle bearing	1
9	07330207	Ball bearing	1	21	07330202	Shim, for bevel pinion	1
	19030033*	Ball bearing	1	22	07330214	Cone washer, for bevel pinion bearing	1
10	07330213	Oil seal, (20 x 35 x 10)	1	23	07330212	Thickness washer bevel pinion	1
11	07330204	Distance piece, for bevel pinion	1	24	07330214	Cone washer, for bevel pinion bearing	1
	12330205*	Distance piece, for bevel pinion	1	25	73260020	Circlip, retaining bevel pinion	1

* After machine: engine No. 161.051 (LD/150)
engine No. 323.680 (LD/125)

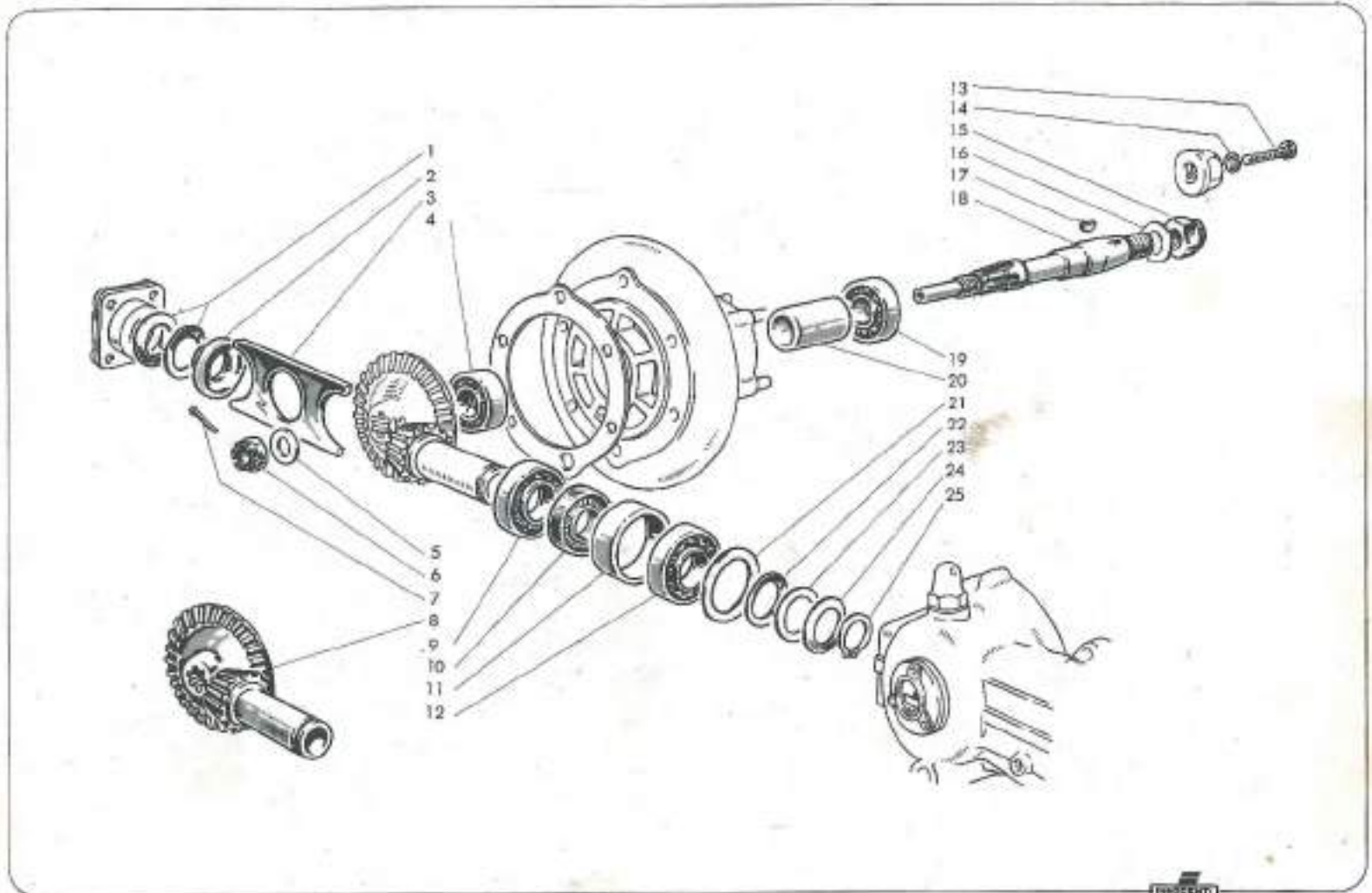


Fig. No.	Part No.	Description	Quantity
« KICK START SOLUTION 11 M 400 »			
1	07110403	Bevel pinion, (straight teeth, with 6 frontal dogs, for bevel couple n. 11110001)	1
	07110405	Bevel pinion, (helical teeth, with 6 frontal dogs, for bevel couple n. 11110001)	1
2	07110421	Shaft, for bevel pinion	1
WARNING!!			
Components of the above type are also the following items: 16 - 17 - 18 - 19 - 20 - 21 - 22 - 23 - 24 - 27 - 28 - 29 - 30 - 31 - 32 - 35 - 36 - 37 - 43 - 44 - 45 - 46 - 47 - 48 - 49 - 51 - 53 - 55 - 56 - 57 - 58 - 59 - 60 - 61 - 62 - 63.			
« KICK START SOLUTION 11 M 400/1 »			
3	11110441	Flange, retaining bearing	1
4	11110442	Ring, for k/start pinion packing	1
5	11110443	Oil seal, (22,5 x 30 x 7) for pinion	1
6	07330207	Ball bearing, for pinion	1
7	11110445	Spacer, for bearings	1
8	73260020	Circlip, for washer at fig. 10	1
9	07330214	Spring washer, for bearings	1
10	07330212	Thickness washer	1
11	07330214	Spring washer, for bearings	1
12	07330207	Ball bearing, for pinion	1
13	11110446	Shim, for pinion	1
14	73234217	Circlip, retaining bearing	1
15	11111187	Bevel pinion, with pin (straight teeth, with 6 frontal dogs, for bevel couple 11110000)	1
	11111189	Bevel pinion, with pin (helical teeth, with 6 frontal dogs, for bevel couple 11110001)	1
WARNING!!			
Components of the above type are also the following items: 16 - 17 - 18 - 19 - 20 - 21 - 22 - 23 - 24 - 27 - 30 - 31 - 32 - 33 - 34 - 35 - 36 - 37 - 38 - 39 - 40 - 43 - 44 - 45 - 46 - 47 - 48 - 49 - 55 - 57 - 58 - 59 - 60 - 61 - 62 - 63.			

Fig. No.	Part No.	Description	Quantity
« KICK START SOLUTION 11 M 400/2 »			
16	11110437	Rubber protection, k/start pedal	(D) 1
	12110438	Rubber protection, k/start pedal	(LD) 1
17	70300635	Screw, locking k/start pedal	1
18	11110409	Pedal, k/start	(D) 1
	12111091	Pedal, k/start	(LD) 1
19	73170064	Spring washer, for nut at fig. 20	1
20	72030006	Nut, for screw at fig. 17	1
21	11110439	Cover, k/start	1
22	02110110	Plain washer, for screw at fig. 24	1
23	02110111	Spring washer, for screw at fig. 24	1
24	71060630	Screw, fixing k/start cover	1
25	02110110	Plain washer, for screw at fig. 27	1
26	02110111	Spring washer, for screw at fig. 27	1
27	71060618	Screw, fixing k/start cover	1
28	07110407	Washer, for bevel pinion	1
29	73260022	Circlip, retaining bevel pinion	1
30	02110435	Pinion, k/start	1
31	07110417	Gasket, k/start cover	1
32	07110413	Screw, fixing support ring to cover	1
33	11110450	Screw, fixing k/start cover	1
34	11110449	Screw, fixing k/start cover	1
35	02110420	Spring, for k/start bevel pinion	1
36	07110438	Washer, for spring	1
37	02110429	Circlip, k/start bevel pinion pin	1
38	72060006	Nut, for screw at figs. 33 - 34	2
39	73170064	Spring washer, for nuts at fig. 38	2
40	73030064	Plain washer, for nuts at fig. 38	2
41	02110110	Plain washer, for screw at fig. 43	1
42	02110111	Spring washer, for screw at fig. 43	1
43	11110408	Threaded pin, fixing cover	1
44	73010053	Plain washer, for screws at fig. 46	2
45	73170053	Spring washer, for screws at fig. 46	2
46	70360516	Screw, fixing bevel pinion support	2
47	06110422	Spacing washer	1
48	73260015	Circlip, retaining pin	1

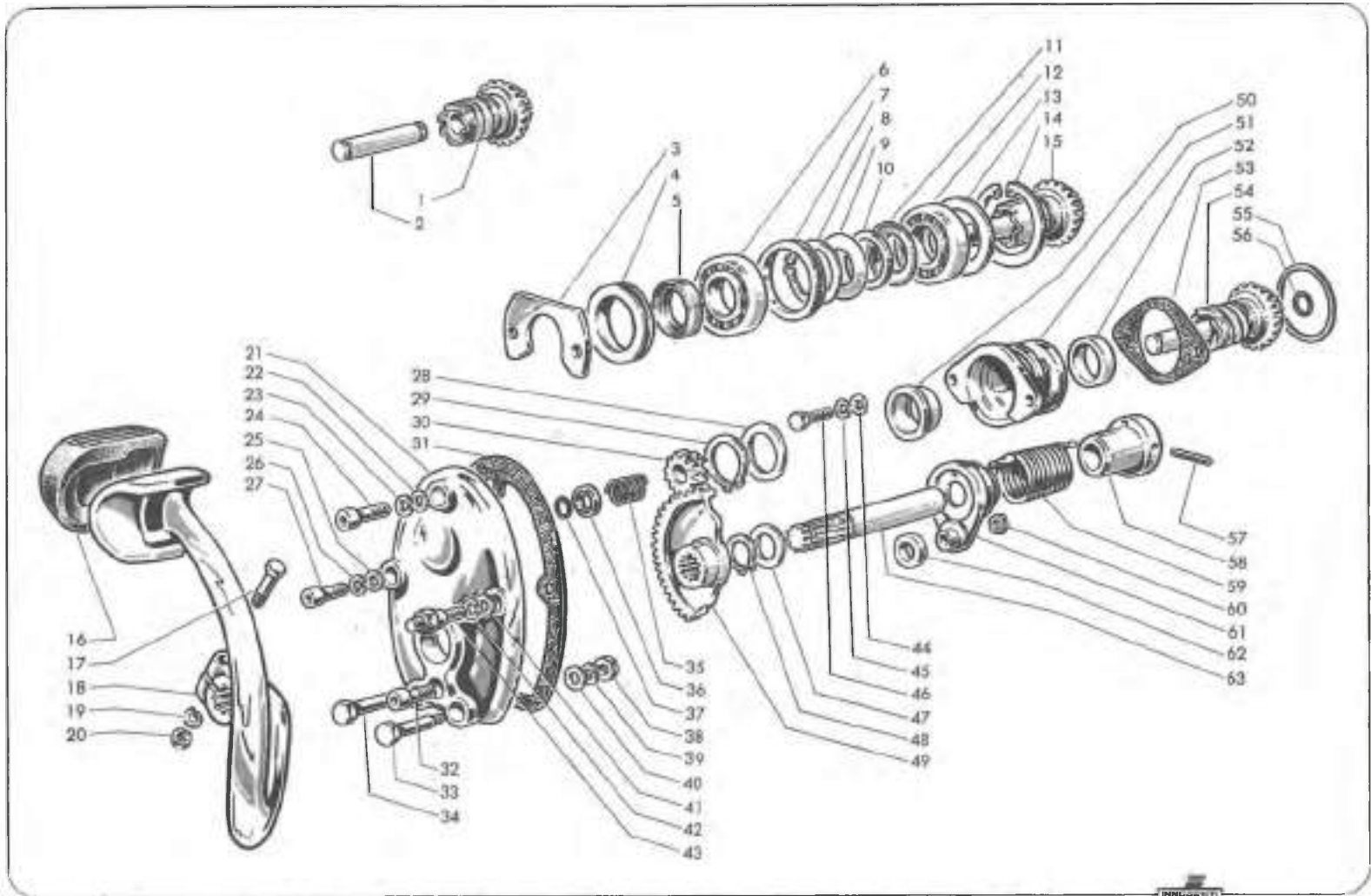


Fig. No.	Part No.	Description	Quantity	Fig. No.	Part No.	Description	Quantity
49	07110404	Notched quadrant	1	55	99091221	Seal ring, for bevel pinion bush	1
50	11110423	Bush, for bevel pinion	1	56	02110429	Circlip, k/start bevel pinion pin	1
51	11111061	Support, bevel pinion with bushes at figs. 50 - 52	1	57	02060115	Pin, stopping return spring	1
52	11110419	Bush, bevel pinion	1	58	02110431	Stop, for spring guide	1
53	07110418	Gasket, for bevel pinion support	1	59	02110411	Return spring, k/start pedal	1
54	11111183	Bevel pinion, with pin (straight teeth, with 6 frontal dogs, for bevel couple 11110000)	1	60	72090006	Nut, for screw at fig. 32	1
	11111184	Bevel pinion, with pin (helical teeth, with 6 frontal dogs, for bevel couple 11110001)	1	61	11110415	Centering support, k/start cover	1
				62	07111031	Ring, stopping notched quadrant	1
				63	07110412	Axle, k/start pedal	1

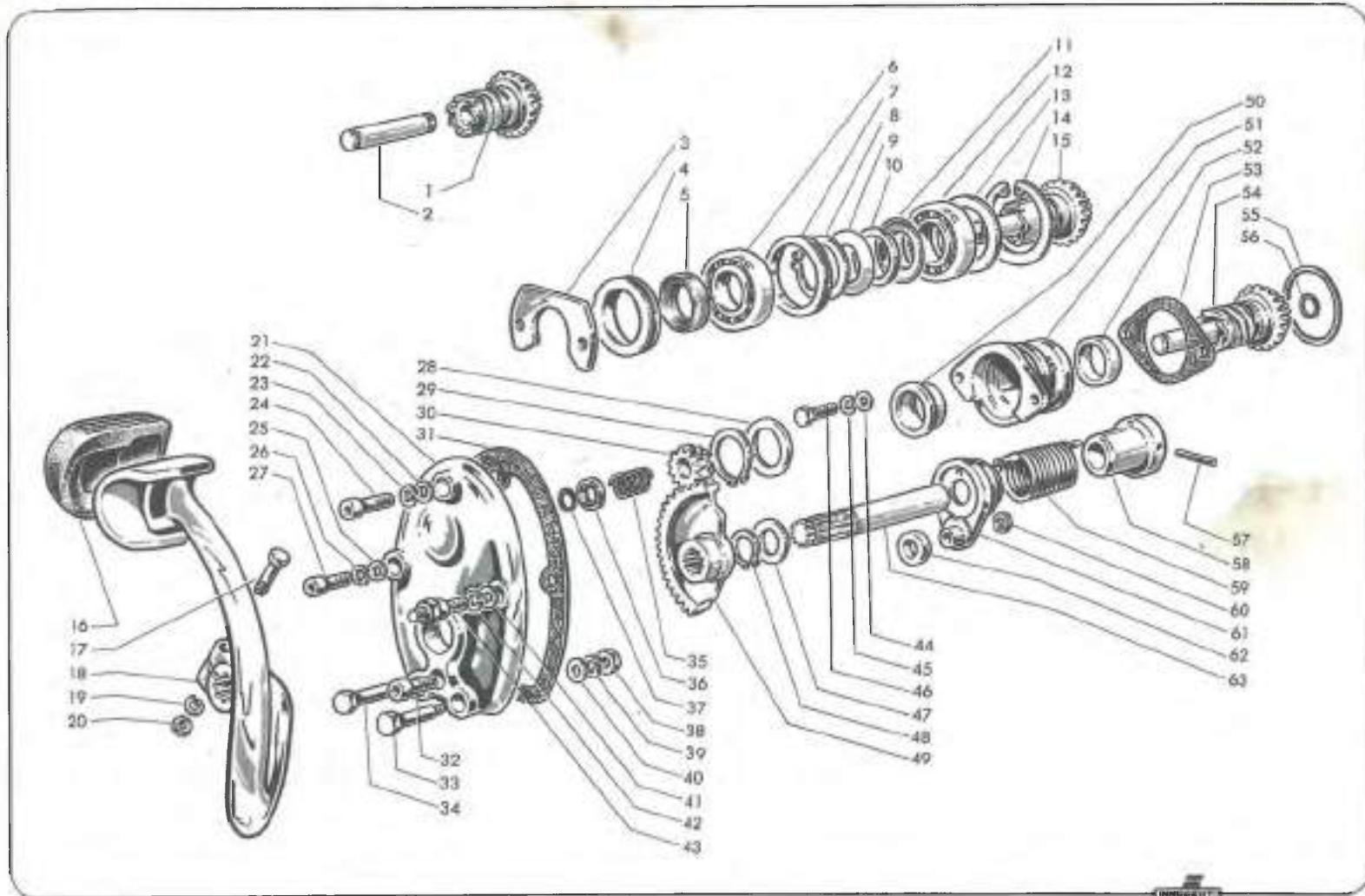
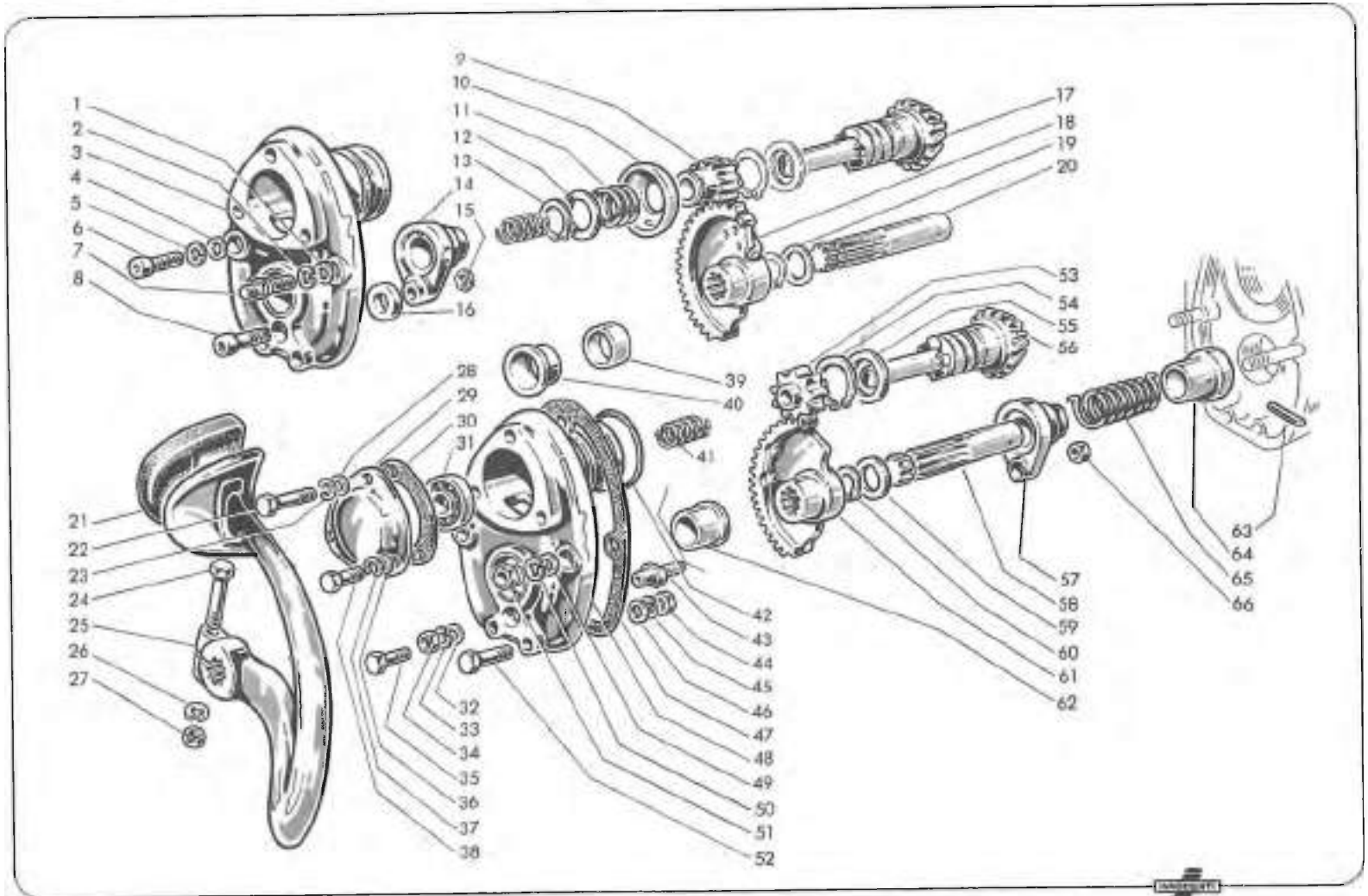


Fig. No.	Part No.	Description	Quantity	Fig. No.	Part No.	Description	Quantity
« KICK START SOLUTION 11 M 400/4 »							
1	02110110	Plain washer, for screw at fig. 7	1	24	70300635	Screw, locking k/start pedal	1
2	02110111	Spring washer, for screw at fig. 7	1	25	{ 11110409	Pedal, k/start (D)	1
3	11111256	Cover, k/start with bushes at figs. 39 - 40 - 62	1		{ 12111091	Pedal, k/start (LD)	1
4	02110110	Plain washer, for screw at fig. 6	1	26	73170064	Spring washer, for nut at fig. 27	1
5	02110111	Spring washer, for screw at fig. 6	1	27	72030006	Nut, for screw at fig. 24	1
6	71060618	Screw, fixing k/start cover	1	28	73030064	Plain washer, for screw at fig. 22	1
7	11110408	Threaded pin, fixing k/start cover	1	29	11111221	Cover, with ball bearing at fig. 31	1
8	07110413	Screw, fixing centering support	1	30	11110472	Gasket, for cover	1
9	11110473	Pinion, k/starter	1	31	11110478	Ball Bearing, for bevel pinion	1
10	11110477	Cup, pinion disengagement control	1	32	73010064	Plain washer, for nut at fig. 34	1
11	11110480	Spring, for cup at fig. 10	1	33	73170064	Spring washer, for nut at fig. 34	1
12	11110479	Washer, for spring	1	34	72060006	Nut, for stop pin at fig. 43	1
13	73260017	Circlip, retaining k/start bevel pinion	1	35	70300640	Screw, fixing k/start cover	1
14	11110415	Centering support, for cover	1	36	73010053	Plain washer, for screws at fig. 38	2
15	72090006	Nut, for screw at fig. 8	1	37	73170053	Spring washer, for screws at fig. 38	2
16	11110481	Stop ring, for notched quadrant	1	38	70360516	Screw, fixing cover	2
	11111246	Bevel pinion, with pin (straight teeth, with 6 frontal dogs, for bevel couple 11110000)	1	39	11110419	Bush, for k/start cover	1
	11111251	Bevel pinion, with pin (helical teeth, with 6 frontal dogs, for bevel couple 11110001)	1	40	11110423	Bush, for k/start cover	1
17	11111276	Bevel pinion, with pin (coniflex teeth, with 6 frontal dogs, for bevel couple 11110002)	1	41	02110420	Return spring, for pinion	1
18	11111216	Notched quadrant	1	42	99091221	Seal ring	1
19	06110422	Spacing washer	1	43	11110494	Stop pin, centering support	1
20	07110412	Axle, k/start pedal	1	44	72060006	Nut, for screws at fig. 35 - 52	2
		WARNING!		45	73170064	Spring washer, for nuts at fig. 44	2
		Components of the above type are also the following items: 21 - 22 - 23 - 24 - 25 - 26 - 27 - 28 - 29 - 30 - 31 - 35 - 36 - 37 - 38 - 41 - 42 - 44 - 45 - 46 - 47 - 52 - 54 - 55 - 60 - 63 - 64 - 65	1	46	73030064	Plain washer, for nuts at fig. 44	2
		« KICK START SOLUTION 11 M 400/6 »		47	07110417	Gasket, for k/start cover	1
21	{ 11110437	Rubber protection, k/start pedal (D)	1	48	11111256	k/start cover, with bushes at figs. 39 - 40 - 62	1
	{ 12110438	Rubber protection, k/start pedal (LD)	1	49	02110110	Plain washer, for nuts at fig. 51	2
22	70300648	Screw, fixing k/start cover	1	50	02110111	Spring washer, for nuts at fig. 51	2
23	73170064	Spring washer, for screw at fig. 22	1	51	11110487	Special nut	2
				52	11110450	Screw, fixing k/start cover	1
				53	11110492	Pinion, k/start	1
				54	73260022	Circlip, retaining k/start bevel pinion	1
				55	07110407	Thrust washer, for bevel pinion	1
					11111271	Bevel pinion, with pin (helical teeth, with 3 frontal dogs, for bevel couple 11110001)	1
				56	{ 11111281	Bevel pinion, with pin (coniflex teeth, with 3 frontal dogs, for bevel couple 11110002)	1



Lambretta

Fig. No.	Part No.	Description	Quantity	Fig. No.	Part No.	Description	Quantity
57	11110484	Centering support, k/start cover	1	62	11110423	Bush, guiding notched quadrant	1
58	11110498	Axle, k/start pedal	1	63	02060115	Pin, stopping return spring	1
59	11110497	Spacing washer	1	64	02110431	Stop ring, for spring	1
60	73260015	Circlip, retaining notched quadrant	1	65	02110411	Return spring, k/starter pedal	1
61	11111261	Notched quadrant	1	66	72030004	Nut, for pin at fig. 43	1

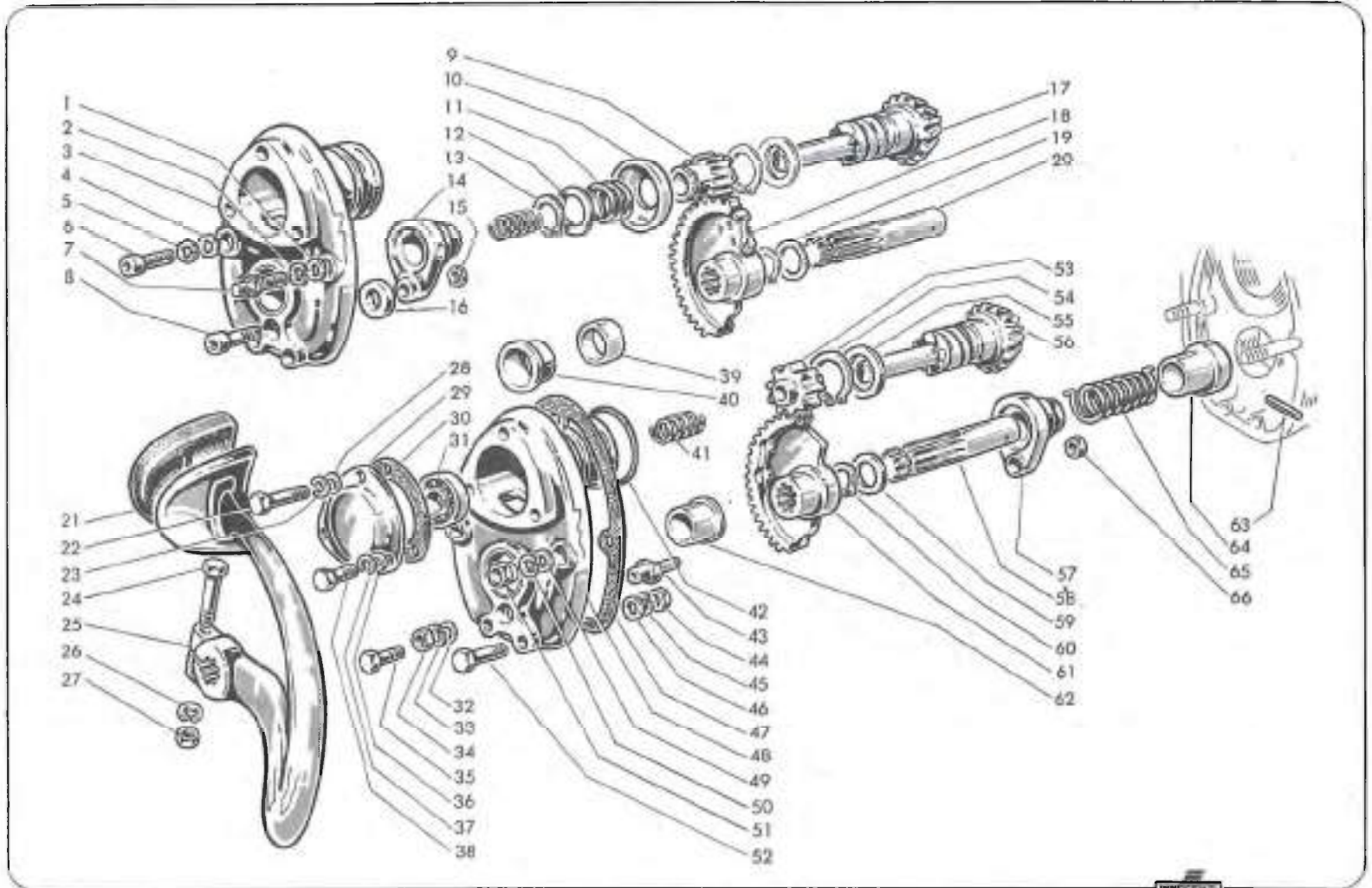


Fig. No.	Part No.	Description	Quantity	Fig. No.	Part No.	Description	Quantity
1	12110436	Rubber protection, k/start pedal	1	33	12111476	Cover, k/start	1
	12110456	Rubber protection, k/start pedal at fig. 2	1	34	70330855	Bolt, for fixing k/start cover	2
	12111496	K/start group, complete with figs. 2 - 3 - 4 - 8 - 9 - 10 - 26 - 27	1	35	12110408	Washer, k/start bevel pinion	2
2	12111501	Pedal, k/start	1	36	73260026	Circlip, k/start bevel pinion	1
3	70300838	Bolt, k/start boss	1	37	12110417	Pinion, k/start	1
4	12110442	Boss, k/start pedal	1	38	12110418	Spring, k/start bevel pinion pin	1
5	12110439	Plug, satellite shaft	1	39	12110420	K/start quadrant	1
6	12110440	Gasket, for plug	1	40	12110426	Bush, carrier shaft	2
7	73260024	Circlip, k/start pedal	1	41	12111391	Carrier, for satellite gear shaft complete with figs. 40 - 44 - 45	1
8	12110445	Return spring, k/start pedal	1	42	12110449	Washer, for screws at fig. 43	4
9	73170084	Spring washer, for nut at fig. 10	1	43	70300630	Screw, for fixing crown wheel to cover	4
10	72030008	Nut, for bolt at fig. 3	1	44	12110425	Support ring, pedal return spring	1
11	12110430	Spacer, k/start pedal	1	45	75710210	Rivet, for fixing support ring	4
12	12110429	Oil seal, (47 x 24 x 7) k/start cover	1	46	74401522	Split pin, for screws at fig. 48	2
13	12110406	Bush, k/start cover	2	47	73030064	Plain washer, for screws at fig. 48	2
14	12110441	Nut, for bolt at fig. 19	2	48	12110447	Screw, for fixing items at figs. 50 - 59	2
15	73170084	Spring washer, for nuts at fig. 14	2	49	12110428	Thrust washer, satellite gear shaft	1
16	73030084	Plain washer, for nuts at fig. 14	2	50	12110432	Crown wheel, k/starter	1
17	12110419	Thrust washer, k/start shaft spring	1	51	12110404	Gasket, k/start body	1
18	11110478	Bearing, k/start pinion	1		12111486	Bevel pinion, with pin (helical teeth, for bevel couple 11110001)	1
19	70330860	Bolt, fixing k/start cover	1	52	12111491	Bevel pinion, with pin (coniflex teeth, for bevel couple 11110002)	1
20	73170084	Spring washer, for bolt at fig. 19	1	53	99094356	Gasket ring, for k/start body	1
21	73030084	Plain washer, for bolt at fig. 19	1	54	12110402	Bush, for guiding bevel pinion	2
22	73030064	Plain washer, for nuts at fig. 24	6	55	12110423	Ring, satellite gear pin	4
23	73170064	Spring washer, for nuts at fig. 24	6	56	12110421	Satellite gear	2
24	72030006	Plug, for screws at figs. 43 - 48	6	57	12110422	Pin, satellite gear	2
25	87020008	Grease nipple	1	58	12110403	Bush, for guiding quadrant gear	1
26	74400330	Split pin, for locking k/starter pedal	1	59	12111471	Body, k/start with bushes at figs. 54 - 58	1
27	83011201	Washer, for pedal pin	1	60	73030084	Plain washer, for nuts at fig. 62	2
28	73260024	Circlip, k/start pedal	1	61	73170084	Spring washer, for nuts at fig. 62	2
29	12110431	Return spring, k/start pedal	1	62	72030008	Nut, for screws at fig. 34	2
30	12110448	Packing ring, crown wheel	1				
31	12110404	Gasket, k/start cover	1				
32	15041024	Rebound buffer, k/start pedal	1				

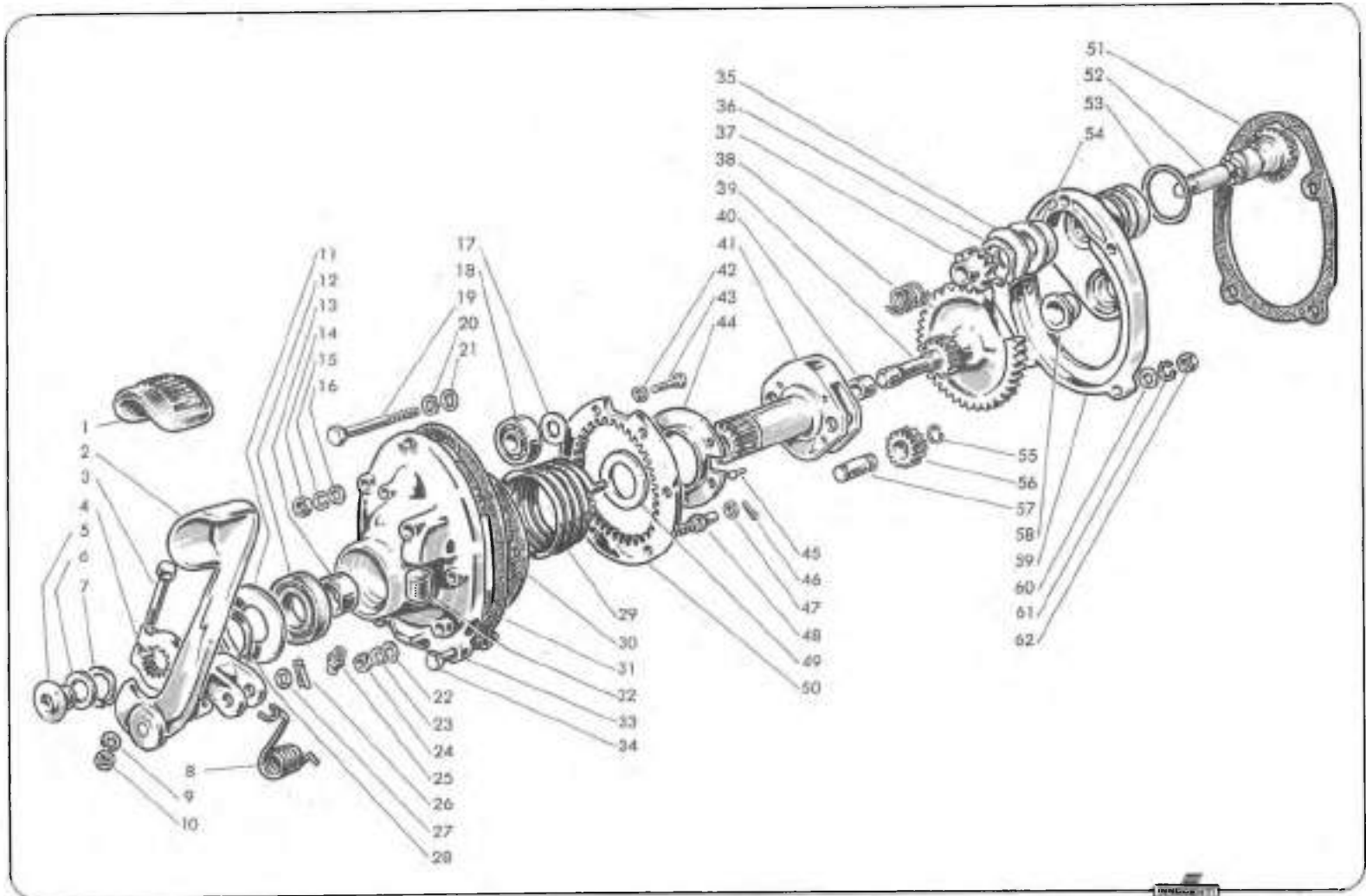
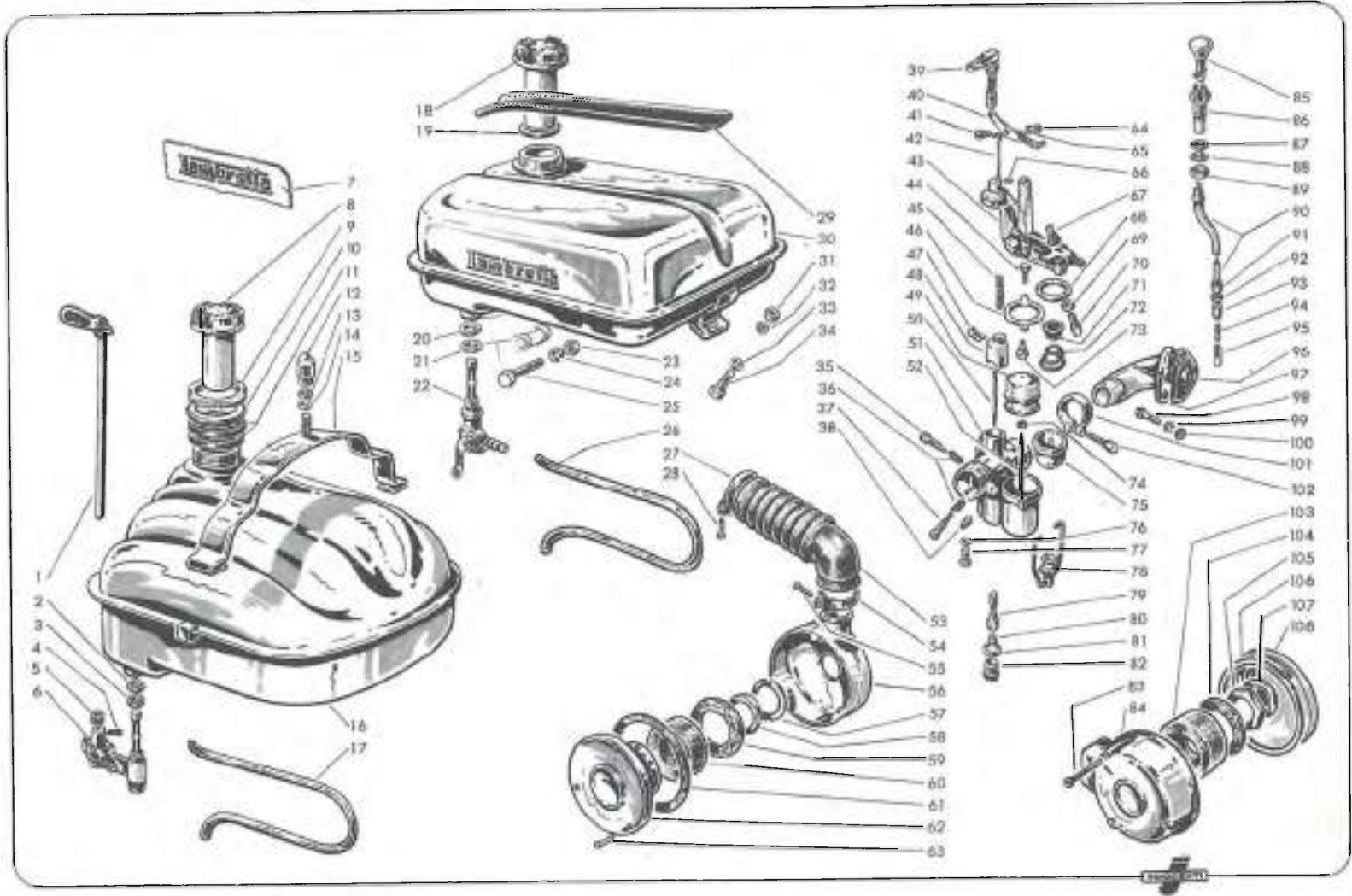
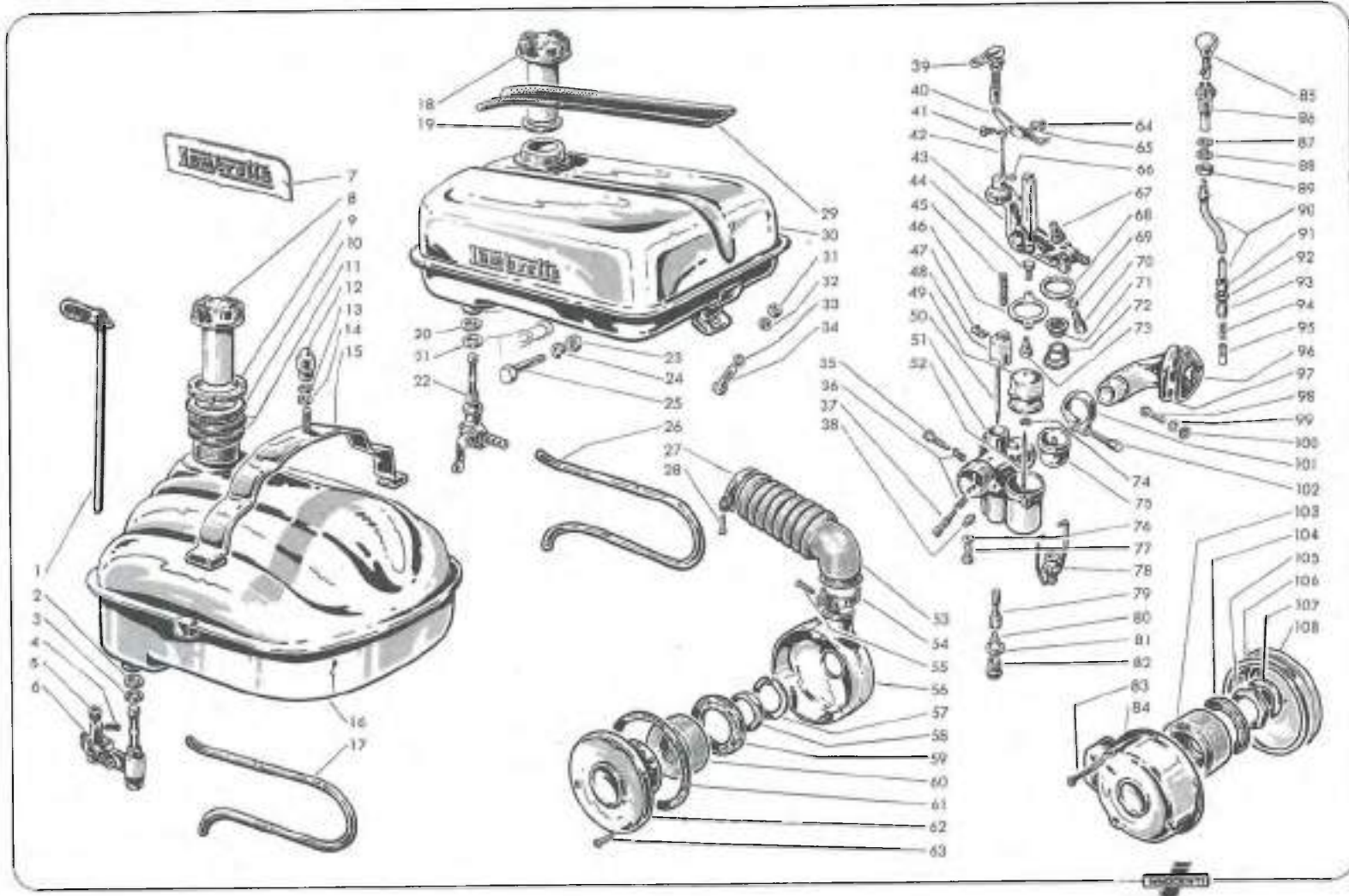


Fig. No.	Part No.	Description	Quantity	Fig. No.	Part No.	Description	Quantity
1	12171026	Rod, for petrol tap control	1	38	00412096 1488	Pilot jet 45	1
2	14070102	Gasket, for petrol tap	1	—	00412122 MA 19 B 4	Carburettor, without air filter (D/150)	1
3	14070101	Gasket, for petrol tap	1	—	00412138 MA 19 B 4	Carburettor, without air filter (LD/150)	1
4	00412187	2360 Spring pin, for rod	1	—	00412143 MA 18 B 4	Carburettor, without air filter (LD/125)	1
5	15071002	Grommet, petrol tap control rod	1	39	00412133 3237	Lever, choke control	1
6	12171056	Petrol tap (LD)	1	40	00412128 3124	Fulcrum lever, choke control	1
7	99097012	Transfer « Lambretta » (D)	2	41	00412048 2420	Pin, for fulcrum lever	1
8	12170105	Filler cap, fuel tank (without breather)	1	42	00412037 2321	Operating rod, for air slide	1
9	12170109	Ring, locking fuel tank	1	43	{ 00412127 3111	Cover, carburettor body (D)	1
10	12170112	Washer, for ring at fig. 9	1		{ 00412141 3382	Cover, carburettor body (LD)	1
11	02170105	Thickness washer	2	44	00412021 1491	Screw, fixing carburettor cover	2
12	99098404	Dome nut, fixing fuel tank	1	45	00412002 1409	Spring, for air slide	1
13	73030084	Plain washer, for nut at fig. 12	1	46	00412005 1414	Gasket, for carburettor cover	1
14	12170108	Rubber washer, for fuel tank stirrup support	1	47	00412001 1407	Retaining clip, main jet needle	1
15	12171021	Stirrup support, fuel tank	1	48	00412095 1421	Air slide 75	1
16	12171066	Fuel tank (LD)	1	49	00412098 2390	Float	1
17	11170204	Petrol pipe	1	50	00412135 2265	Needle D 3	1
18	99097040	Filler cap, fuel tank (with breather)	1	51	{ 00412137 3232	Carburettor body	1
19	99097007	Gasket, filler cap	1		{ 00412144 3402	Carburettor body (LD/125)	1
20	14070102	Gasket, petrol tap	1	52	00412027 1607	Needle, for float	1
21	14070101	Gasket, petrol tap	1	53	12110716	Filter hose (LD/epicyclic starter)	1
22	08171061	Petrol tap (D)	1	54	12111431	Clip, fixing filter hose	1
23	72030005	Nut, for screw at fig. 25	1	55	70910420	Screw, for fixing clip at fig. 54	1
24	73170053	Spring washer, for screw at fig. 25	1	—	00412180 3889	Air filter, F18, complete with figs. 56 - 57 - 58 - 59 - 60 - 61 - 62 - 63 (LD/epicyclic starter)	1
25	70330560	Screw, fixing fuel tank	1	56	00412184 3783	Filter body	1
26	11170204	Petrol pipe	1	57	00412131 3151	Tab washer, locking nut	1
27	12111431	Clip, retaining filter hose	1	58	00412132 3154	Nut, locking filter body	1
28	70910420	Screw, fixing clip at fig. 27	1	59	00412120 3181	Spacer, for filter element	1
29	99097008	Antivibration rubber, for fuel tank	1	60	00412121 3159	Filter element	1
30	11171001	Fuel tank (D)	1	61	00412185 3858	Gasket, for end plate	1
31	72060006	Counternut, fixing fuel tank	1	62	00412186 3859	End plate, with cage retaining filter element	1
32	06170108	Antivibration washer, for screw at fig. 34	1	63	00412151 1308	Screw, fixing end plate	3
33	73010064	Plain washer, for screw at fig. 34	1	64	00412049 1973	Nut, locking fulcrum lever pin	1
34	70300622	Screw, fixing fuel tank	1	65	00412050 1581	Spring washer, for nut at fig. 64	1
35	00412042	2115 Screw, pilot jet adjustment	1	66	00412038 2383	Gasket, for operating rod	1
36	00412004	1411 Spring, adjustment screws	2				
37	00412026	1532 Screw, guiding and stopping air slide	1				



Lambretta

Fig. No.	Part No.	Description	Quantity	Fig. No.	Part No.	Description	Quantity		
67	00412053	2439	Rubber, dust protector	1	87	73030105	Plain washer, for nut at fig. 89	1	
68	00412056	2120	Gasket, for filter bowl	1	88	73170105	Spring washer, for nut at fig. 89	1	
69	00412054	1576	Counternut, for adjustment screw	1	89	72070010	Nut, for choke control knob support	1	
70	00412055	1575	Adjustment screw	1	90	12111126	Cable, choke control	1	
71	00412057	2135	Filter	1	91	00412148	1104	Adjuster, for choke control cable	1
72	00412058	2109	Spring, for filter	1	92	00412054	1576	Counternut, for adjuster	1
73	00412052	2275	Seat, for needle	1	93	00412181	3128	Adjuster nut, for choke control cable	1
74	00412124	1452	Circlip, retaining needle	1	94	00412182	3133	Spring, for choke control cable valve	1
75	00412059	2114	Bowl, for filter	1	95	00412140	3238	Valve, choke control	1
76	00412126	2141	Gasket, starter jet	1	96	11110207	Gasket, for induction manifold	1	
77	00412125	2119	Starter jet 50	1		11110225	Gasket, for induction manifold (LD/125)	1	
	00412139	2119	Starter jet 75	1	97	11110205	Manifold induction	1	
78	00412060	2192	Clip, for retaining filter bowl	1		11110223	Manifold induction (LD/125)	1	
79	00412097	2058	Atomizer 255 B	1	98	70360618	Screw, fixing induction manifold	3	
80	00412136	1486	Main jet 72	1	99	73170064	Spring washer, for screws at fig. 98	3	
	00412017	1486	Main jet 75 (LD epicyclical starter)	1	100	73030064	Plain washer, for screws at fig. 98	3	
	00412100	1486	Main jet 68 (LD/125)	1	101	00412061	1721	Ring, for securing carburettor	1
81	00412006	1415	Gasket, main jet plug	1	102	00412062	1111	Screw, for ring at fig. 101	1
82	00412018	1487	Plug, main jet	1	103	00412121	3159	Filter element	1
—	00412134	3175	Air filter, F 14, complete with figs. 83 - 84 - 103 - 104 - 105 - 106 - 107 - 108	1	104	00412120	3181	Spacer, for filter element	1
83	00412115	3153	Screw, for securing filter body end plate	3	105	00412132	3154	Nut, locking end plate	1
84	00412142	3241	Filter body, complete with cages	1	106	00412119	3141	Gasket, for filter body	1
85	12111161		Knob, choke control	1	107	00412131	3151	Tab washer, for nut at fig. 105	1
86	12110708		Support, for choke control knob	1	108	00412130	3144	End plate, filter body	1



Lambretta

Fig. No.	Part No.	Description	Quantity	Fig. No.	Part No.	Description	Quantity
1	07180405	Gasket, for silencer	1	18	12184003	Silencer, complete with figs. 19 - 20 - 21 - 22 (LD)	1
2	72060008	Nut, for fixing exhaust tube	1	19	12181431	Exhaust tube	1
3	73120084	Spring washer, for nut at fig. 2	1	20	70490515	Screw, fixing exhaust tube	1
4	11180449	Gasket, for exhaust tube	1	21	12180486	Clamp, fixing exhaust tube	1
5	11181206	Exhaust tube	1	22	72030005	Nut, for screw at fig. 20	1
6	11184001	Silencer, complete with figs. 2 - 3 - 4 - 5 - 7 - 8 - 9 (D/150)	1	23	70610814	Screw, fixing exhaust tube	1
7	11180458	Plug, with extension for silencer	1	24	11180400	Silencer, complete (D)	1
8	15056028	Plug, for silencer	1		12180400	Silencer, complete (LD)	1
9	11180469	Wire, for securing silencer plugs	1	25	70300525	Screw, fixing exhaust tube to silencer	1
10	99095627	Grub, for securing bush	1	26	11181161	Exhaust pipe (D)	1
11	99095626	Bush, for end plate rod	1		12181191	Exhaust pipe (LD)	1
12	99095628	Gasket, for bush	1	27	73170053	Spring washer, for screw at fig. 25	1
13	07181111	End plate, with support	1	28	72000005	Nut, for screw at fig. 25	1
14	07180422	Gasket, for end plate	2	29	07181141	End plate, with rod	1
15	07180434	Spacer	1	30	72060008	Nut, for screws at figs. 23-33	1
16	11181146	Sliding diaphragm, with tubes	1	31	11181166	Plate, fixing exhaust pipe	1
17	11180439	Filter (D)	1	32	73170084	Spring washer, for screws at figs. 23-33	1
	12180439	Filter (LD)	1	33	11180442	Screw, for fixing exhaust pipe	1

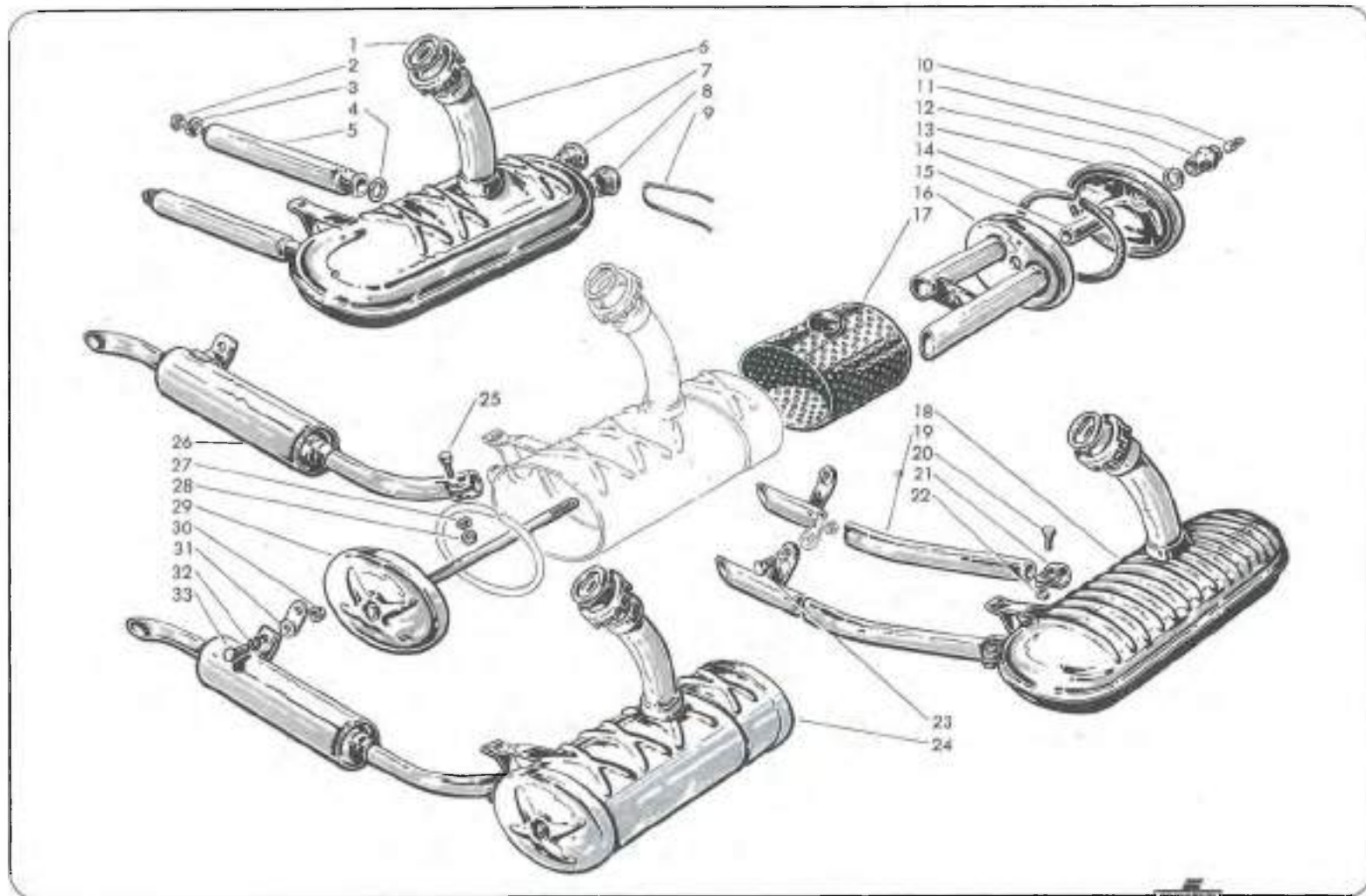


Fig. No.	Part No.	Description	Quantity	Fig. No.	Part No.	Description	Quantity
1	—	Not supplied, it is necessary to replace the engine cowl with figs. 5-16	—	10	71220525	Screw, fixing flange	1
2	70920407	Screw, fixing engine cowl	3	11	71430409	Screw, fixing main cowl cover	3
3	83100004	Spring washer, for screw at fig. 2	3	12	11110514	Spring washer, for screws at fig. 11	3
4	11111116	Engine cowl, drive side	1	13	11110506	Cover, for main cowl	1
5	11111366	Engine cowl, drive side	1	14	15014009	Circlip, for dust protector cover	1
6	73170053	Spring washer, for screws at fig. 15	3	15	70910509	Screw, fixing engine cowl	3
7	72030005	Nut, for screws at fig. 15	3	16	11111361	Engine cowl, flywheel side	1
8	11110502	Flange, flywheel side cowl	1	17	15014010	Cover, dust protector	1
9	73170053	Spring washer, for screw at fig. 10	1	18	70910512	Screw, fixing engine cowl to flange	3
				19	73170053	Spring washer, for screws at fig. 18	3

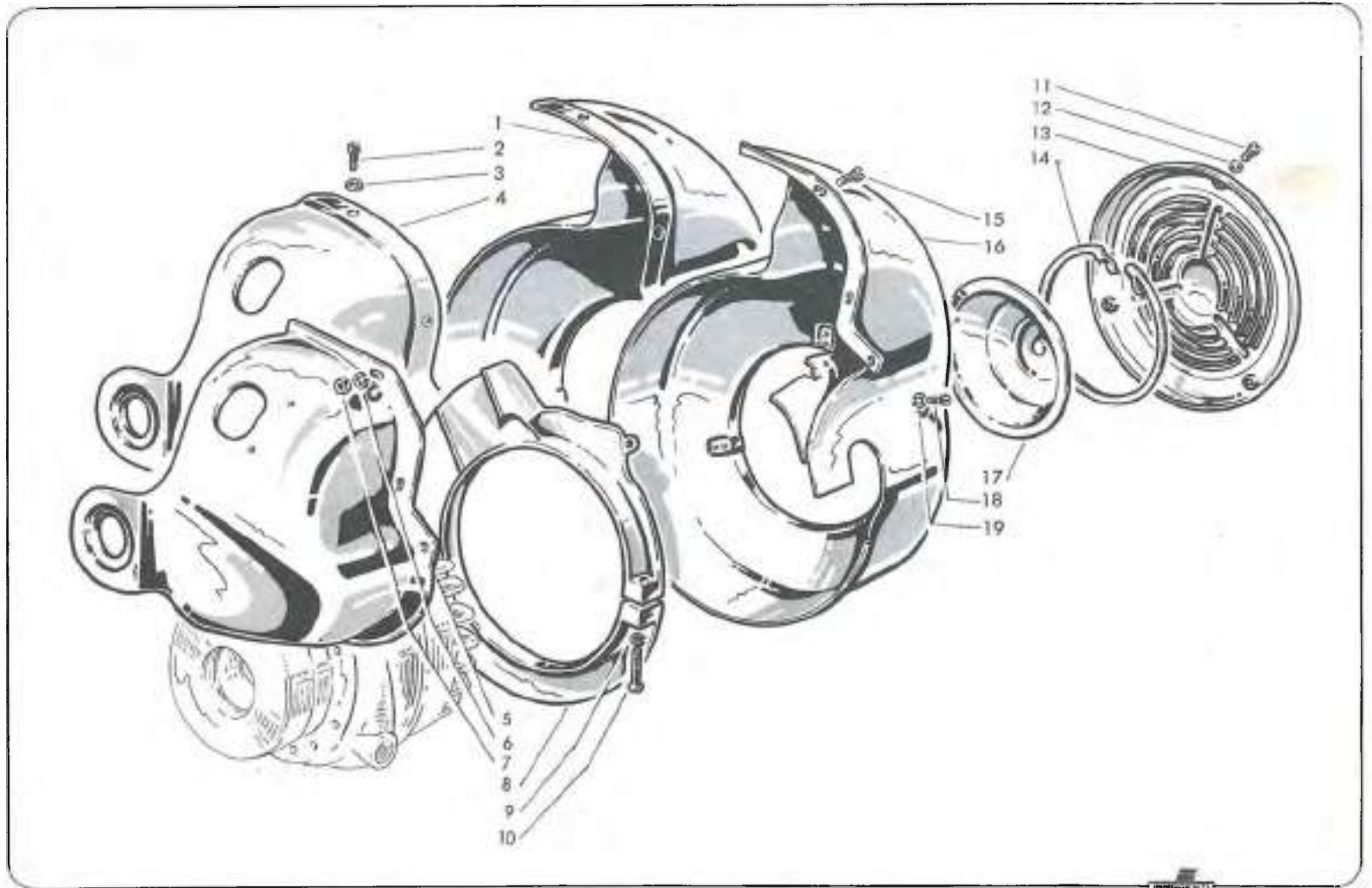


Fig. No.	Part No.	Description	Quantity	Fig. No.	Part No.	Description	Quantity
1	07180160	Bush, torsion bar support lever	1	19	11180151	Clamp, fixing cables (D)	1
2	{ 12181356	Frame, with bush at fig. 1 (LD)	1	20	87020008	Grease nipple, for torsion bar lever	1
	{ 12181376	Frame, with bush at fig. 1 (LD/electric starter)	1	21	07180605	Spacing washer, torsion bar lever	1
3	12180177	Clamp, fixing cable (LD)	2	22	07180608	Protection ring, torsion bar lever	1
4	70300540	Screw, for fixing cable clamps (LD)	1	23	07180604	Torsion bar	1
5	{ 11180501	Centre stand (D)	1	24	07180607	Spacing washer, torsion bar	2
	{ 12180506	Centre stand (LD)	1	25	73260020	Circlip, retaining torsion bar	2
6	72030005	Nut, for screw at fig. 4 (LD)	1	26	07180609	Protection cap, torsion bar	2
7	83100005	Plain washer, for screw at fig. 4 (LD)	1	27	11180167	Bolt, for fixing shock absorber, lower part (D-LD/150)	1
8	08180510	Return spring, centre stand	1	28	11181151	Shock absorber, (D-LD/150)	1
9	07180502	Pin, centre stand	1	29	73030084	Plain washer, for fixing shock absorber (D-LD/150)	3
10	11181196	Frame, with bush at fig. 1 (D)	1	30	73170084	Spring washer, for bolt at fig. 27 (D-LD/150)	1
11	07180503	Bush, centre stand pin	2	31	72030008	Nut, for fixing shock absorber (D-LD/150)	2
12	{ 73260012	Circlip, for centre stand pin	2	32	87020008	Grease nipple, for needles cages	2
	{ 74400330	Split pin, for centre stand pin	2	33	07180611	Link, torsion bar lever	1
13	07180504	Rebound buffer, centre stand	1	34	07181086	Needle cage	2
14	12181061	Buffer, for side panel	2	35	07180619	Washer, for needle cage	2
15	72000003	Nut, for fixing buffer	2	36	07180613	Pin, torsion bar link	1
16	07180615	Safety washer, lever link pins	2	37	73260020	Circlip, retaining pins	4
17	07180601	Lever, torsion bar	1	38	07180612	Pin, torsion bar lever	1
18	07180616	Rebound buffer	1	39	11181152	Silent-block, for shock absorber	2

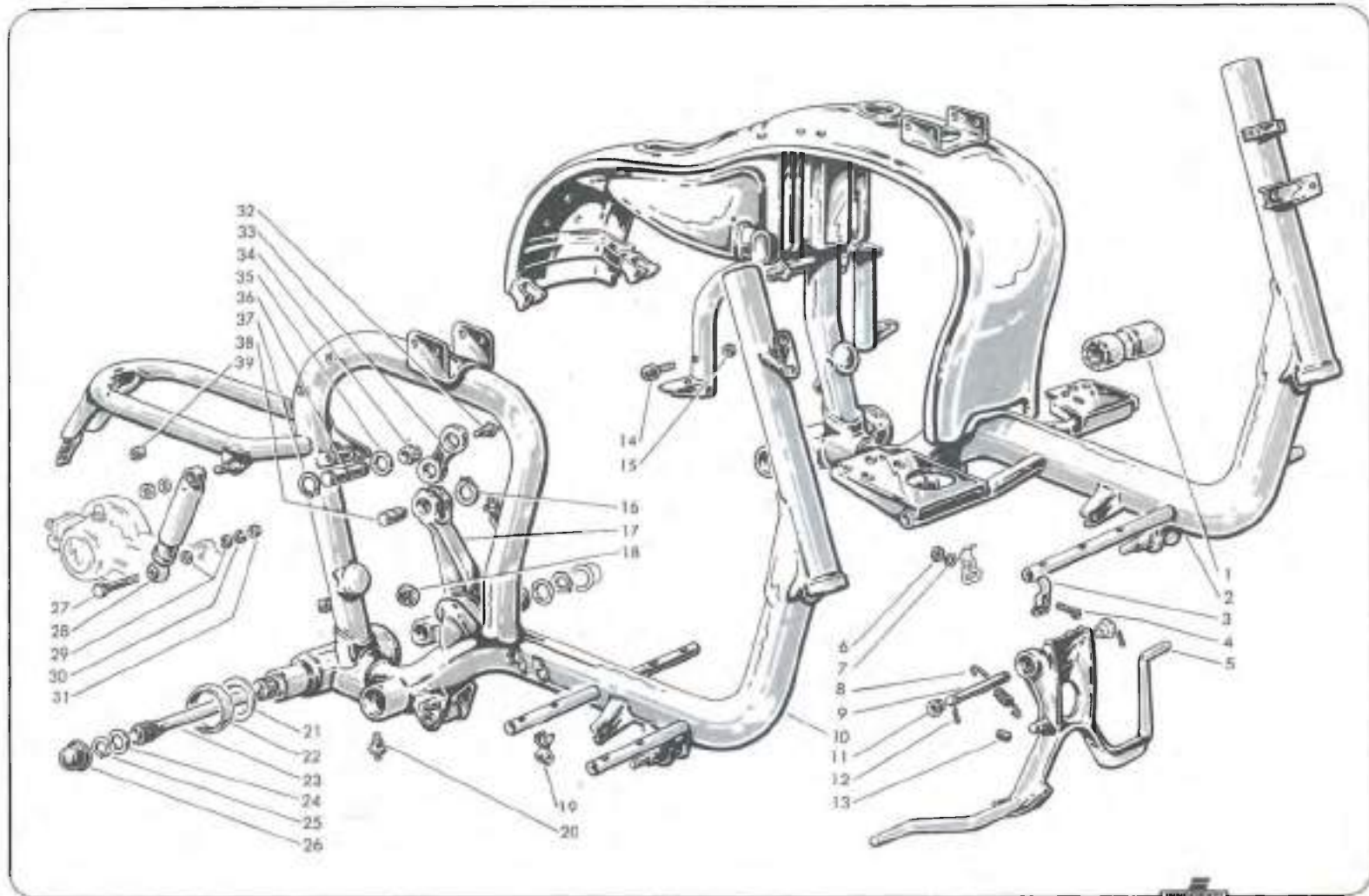
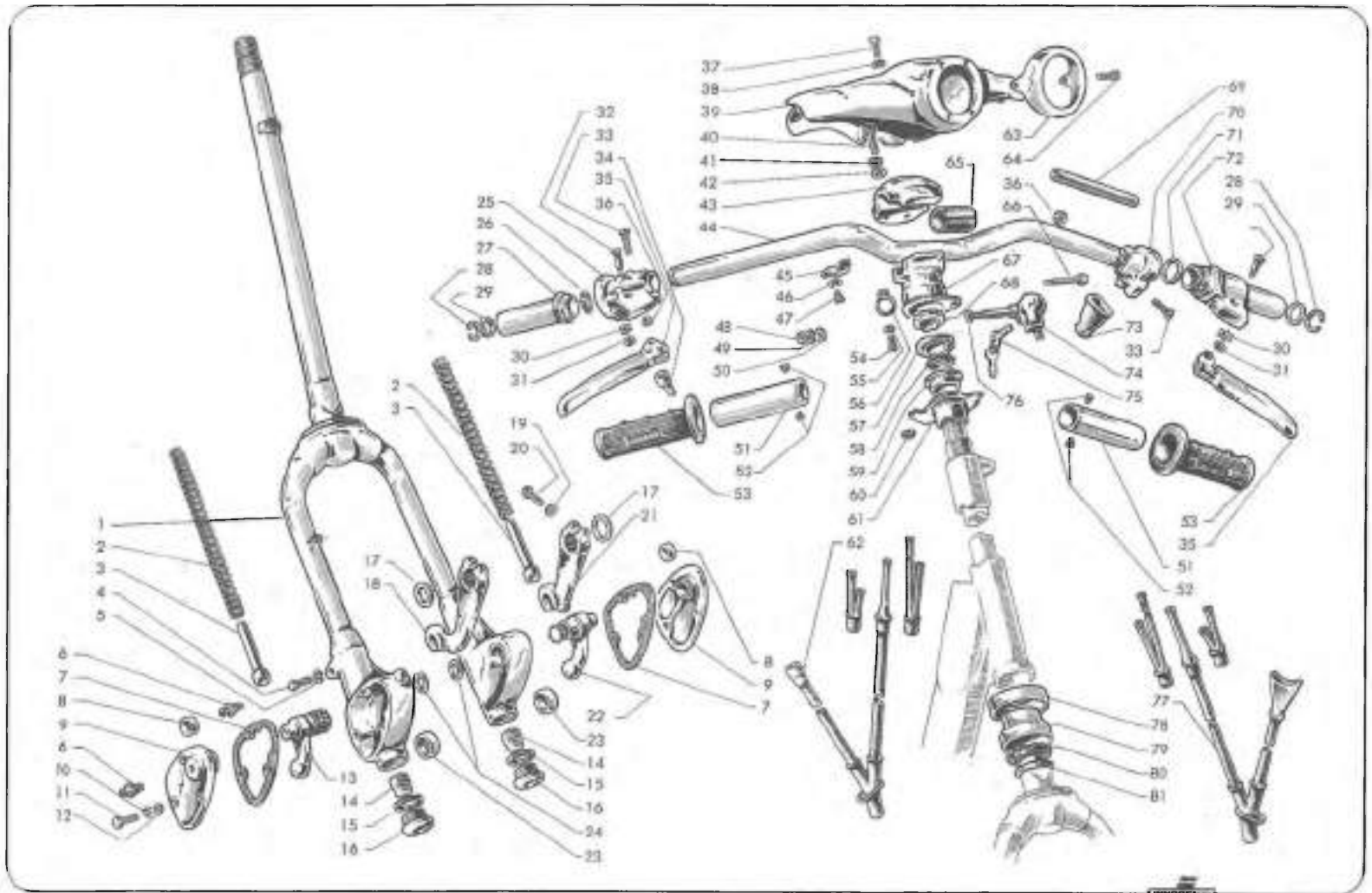


Fig. No.	Part No.	Description	Quantity	Fig. No.	Part No.	Description	Quantity
1	07771121	Front fork, with bushes at fig. 23	1	29	99096208	Thickness washer, for twist grip	2
2	99106051	Spring, front suspension	2	30	12770423	Thrust washer, for clutch and brake lever pin	2
3	07771046	Piston, front suspension spring guide	2	31	14060211	Nut, for lever pin	2
4	70360614	Screw, fixing front mudguard	2	32	07770422	Pin, for clutch and front brake lever	2
5	73170064	Spring washer, for screws at fig. 4	2	33	71450630	Screw, for support	2
6	87020008	Grease nipple, linkage box and suspension spring	4	34	12770237	Sheath, throttle cable (for machine with item at fig. 39)	1
7	99106053	Gasket, linkage box cover	2	35	11771136	Lever, for clutch and front brake	2
8	99106064	Bush, linkage box cover	2	36	72060006	Nut, support screws	2
9	99106040	Cover, linkage box	2	37	71450528	Screw, fixing handlebar cowl	1
10	73170053	Spring washer, for screws at fig. 11	6	38	83130005	Spring washer, for screw at fig. 37	1
11	99106068	Screw, fixing linkage box cover	6	39	12771146	Cowl, handlebar	1
12	73020053	Plain washer, for screws at fig. 11	6	40	07770227	Screw, for locking handlebar tube	2
13	99106062	Link lever, right hand	1	41	73170084	Spring washer, for screws at fig. 40	2
14	99106052	Rebound buffer, fork spring	2	42	73150084	Plain washer, for screws at fig. 40	2
15	99106054	Gasket, for end plug	2	43	12770224	Cover, for handlebar support	1
16	99106067	Plug, fork end	2	44	11770230	Tube, handlebar	1
17	19030044	Spacing washer, for trailing link	2	45	12770238	Stirrup, fixing handlebar cowl	2
18	99106056	Trailing link, right hand	1	46	73170053	Spring washer, for screws at fig. 47	2
19	73020074	Plain washer, for screws at fig. 20	2	47	71200514	Screw, for stirrup	2
20	99106058	Bolt, for fixing trailing link	2	48	72000008	Nut, locking handlebar	1
21	99106057	Trailing link, left hand	1	49	73170084	Spring washer, for nut at fig. 48	1
22	99106061	Link lever, left hand	1	50	73150084	Plain washer, for nut at fig. 48	1
23	99106065	Bush, link lever	2	51	07770322	Sleeve, gear and throttle cable control	2
24	99106066	Seal ring, link lever	2	52	06770320	Grub, for sleeve	4
*—	12771144	Handlebar complete with figs. 25 - 26 - 27 - 28 - 29 - 30 - 31 - 32 - 33 - 35 - 36 - 40 - 41 - 42 - 43 - 44 - 51 - 52 - 53 - 67 - 70 - 71 - 72	1	53	07770403	Handgrip	2
	11770419	Support, front brake lever	1	54	71200410	Screw, for fixing ring	1
25	12770404	Support, front brake lever (LD electric starter)	1	55	83120004	Spring washer, for screw at fig. 54	1
	12770405	Support, front brake lever (LD epicyclic starter)	1	56	12770239	Ring, for holding control cable	1
26	11770402	Cone washer, throttle cable	1	57	07770216	Cone, for steering adjustment ball race	1
27	11771131	Sleeve, throttle control	1	58	15061060	Ball race, steering adjustment	1
28	99096207	Stop ring, for twist grip	2	59	07770215	Seat, for steering adjustment ball race	1

* For replacement of the handlebar onto Lambretta 150 LD with electric starter and 150 D-LD without epicyclic starter it is necessary to replace the support 12770405 with 12770404 or 12770405 with 11770419.



Lambretta

Fig. No.	Part No.	Description	Quantity	Fig. No.	Part No.	Description	Quantity
60	05180124	Grub, for locking steering guide bush	1	72	11771011	Support, clutch lever	1
61	07770229	Bush, steering guide (D)	1	73	11770303	Sheath, gear change cable (for machines with item at fig. 39)	1
	08770229	Bush, steering guide (LD)	1	74	12011646	Steering lock, with keys (LD electric starter)	1
	12770233	Bush, steering guide (LD epicyclical starter)	1		99108810	Steering lock, with keys	1
62	12771036	Sheath, for throttle and front brake cable (for machines without item at fig. 39)	1	75	15081037	Key, for steering lock n. 12011646	2
63	12010303	Embellisher, for horn	1	76	15088005	Key, for steering lock n. 99108810	2
64	71500312	Screw, fixing horn embellisher	2	77	99108811	Spacing washer, for steering lock	1
65	11770225	Antivibration gasket, for handlebar support	1	78	12771026	Sheath, gear change, front brake and switch cables (for machines without item at fig. 39)	1
66	07770226	Bolt, locking handlebar	1		99096108	Protection, lower, steering ball race (D)	1
67	07770223	Support, handlebar	1	05770121	Protection, lower, steering ball race (LD)	1	
68	15061018	Ring, steering adjustment	1	79	40770228	Upper cone, lower steering ball race	1
69	12770221	Plastic tube, cables protection	1	80	15060020	Ball race, steering adjustment	1
70	11770301	Indicator support, for gear shift	1	81	15060028	Cone, for lower steering ball race	1
71	06770311	Spacing washer, for handgrip	1				

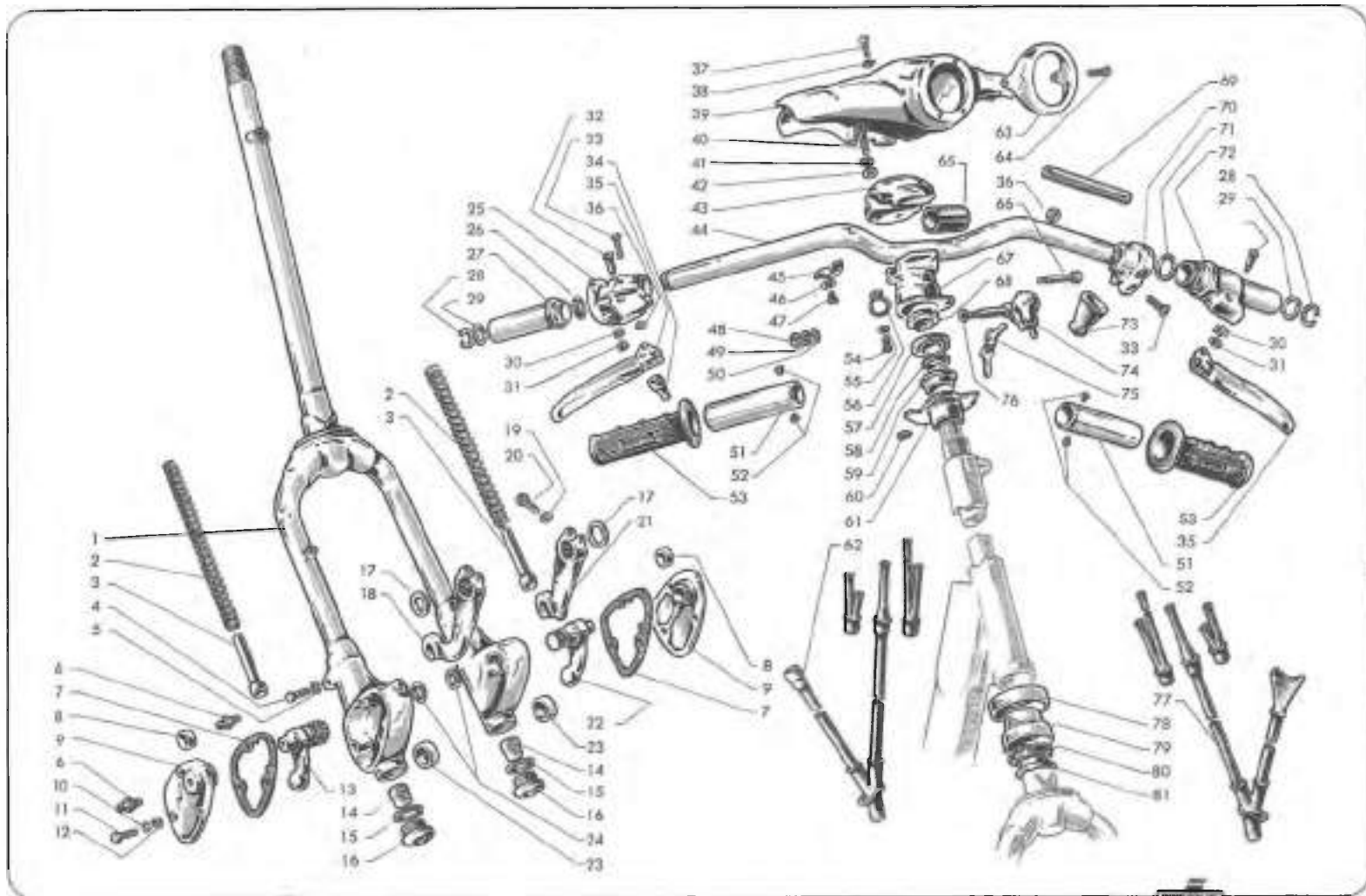


Fig. No.	Part No.	Description	Quantity	Fig. No.	Part No.	Description	Quantity
1	15044070	Dome nut, front wheel axle	1	28	99094424	Circlip, front brake shoe pin	1
2	15044014	Plain washer, for nut at fig. 1	1	29	99094419	Return spring, front brake shoes	1
3	72070012	Nut, locking front wheel bearing	1	30	99094450	Shoe, front brake, complete with lining	2
4	02160112	Distance piece, L.H. (for oil seal 02160137) (D-LD)	1	31	99104429	Operating cam, front brake	1
	12160142	Distance piece, L.H. (for oil seal 15044011) (LD)	1		11160121	Operating cam, front brake (After machine: n. 235761 for LD/150 and n. 244945 for LD/125)	1
5	02160137	Oil seal, (17 x 32 x 10) front wheel	1	32	07161066	Back plate, for front wheel hub, without dust protector	1
	15044011	Oil seal, (17 x 32 x 7) front wheel	1		11161071	Back plate, for front wheel hub, with dust protector	1
6	73250032	Circlip, retaining front wheel bearing	1	33	03160801	Stud, rear wheel hub	3
7	15044005	Bearing, front wheel	1	34	99094530	Shoe, rear wheel, complete with lining	2
8	99098404	Dome nut, for fixing front and rear wheels to hubs	6	35	99094506	Lining, rear brake shoes	2
9	73170084	Spring washer, for nuts at figs. 8 - 10	12	36	99094431	Rivet, brake shoe lining	16
10	72000008	Nut, for securing wheel rims	6	37	99094507	Return spring, rear brake shoes	1
11	03160808	Rim, L. H. front wheel	1	38	07330346	Bush, rear brake operating cam	1
12	99094425	Tyre, 4,00" x 8"	2	39	07330345	Operating cam, rear brake shoes	1
13	99094426	Inner tube, 4,00" x 8"	2	40	12160143	Spacing washer, for operating cam 11160121 (LD)	1
14	03161056	Rim, R. H. for front wheel	1	41	73260011	Circlip, retaining operating cam 11160121 (LD)	1
	87020006	Grease nipple, front wheel hub	1		99094460	Lever, front brake shoes for operating cam 99104429 (D-LD)	1
15	87020008	Grease nipple, front wheel hub	1	42	11161016	Lever, front brake shoes for operating cam 11160121 (LD)	1
	19044004	Axle, front wheel	1		43	72070012	Nut, for locking front wheel bearings
17	02160111	Spacer, for bearings	1	44	99094416	Spacing washer, R. H. front wheel axle	1
*18	11161045	Hub, front wheel with dust protector, complete with fig. 22	1	45	15044014	Plain washer, for nut at fig. 45	1
19	15044005	Ball bearing	1	46	15044070	Dome nut, front wheel axle	1
	06160139	Distance piece, R.H. (for oil seal 02160137) (D-LD)	1	47	72060006	Nut, for fixing operating cam 99104429 (D-LD)	1
20	12160141	Distance piece, R.H. (for oil seal 15044011) (LD)	1		72030008	Nut, for fixing operating cam 11160121 (LD)	1
	21	02160137	Oil seal, (17 x 32 x 10) front wheel	1	48	73010064	Plain washer, for nut at fig. 47
15044011		Oil seal, (17 x 32 x 7) front wheel	1	83110008		Spring washer, for nut at fig. 47	1
22	03160801	Stud, front wheel hub	3	49	07330347	Gasket, operating cam bush	1
23	03160808	Rim, L.H. rear wheel	1	50	07330331	Washer, cam bush locking nut	1
24	03161056	Rim, R.H. rear wheel	1	51	07330330	Nut, for locking cam bush	1
*25	11161044	Hub, rear wheel with dust protector, complete with fig. 33	1				
26	99094431	Rivet, brake shoe lining	16				
27	99094418	Lining, front brake shoe	2				

* It is supplied in replacement of the hub without dust protector. In any case also the back plate No. 07161066 must be replaced with part number 11161071 at fig. 32.

** It is supplied in replacement of the hub without dust protector. In any case also the back plate No. 07331016 must be replaced with part number 11331016 at fig. 61 - section I.

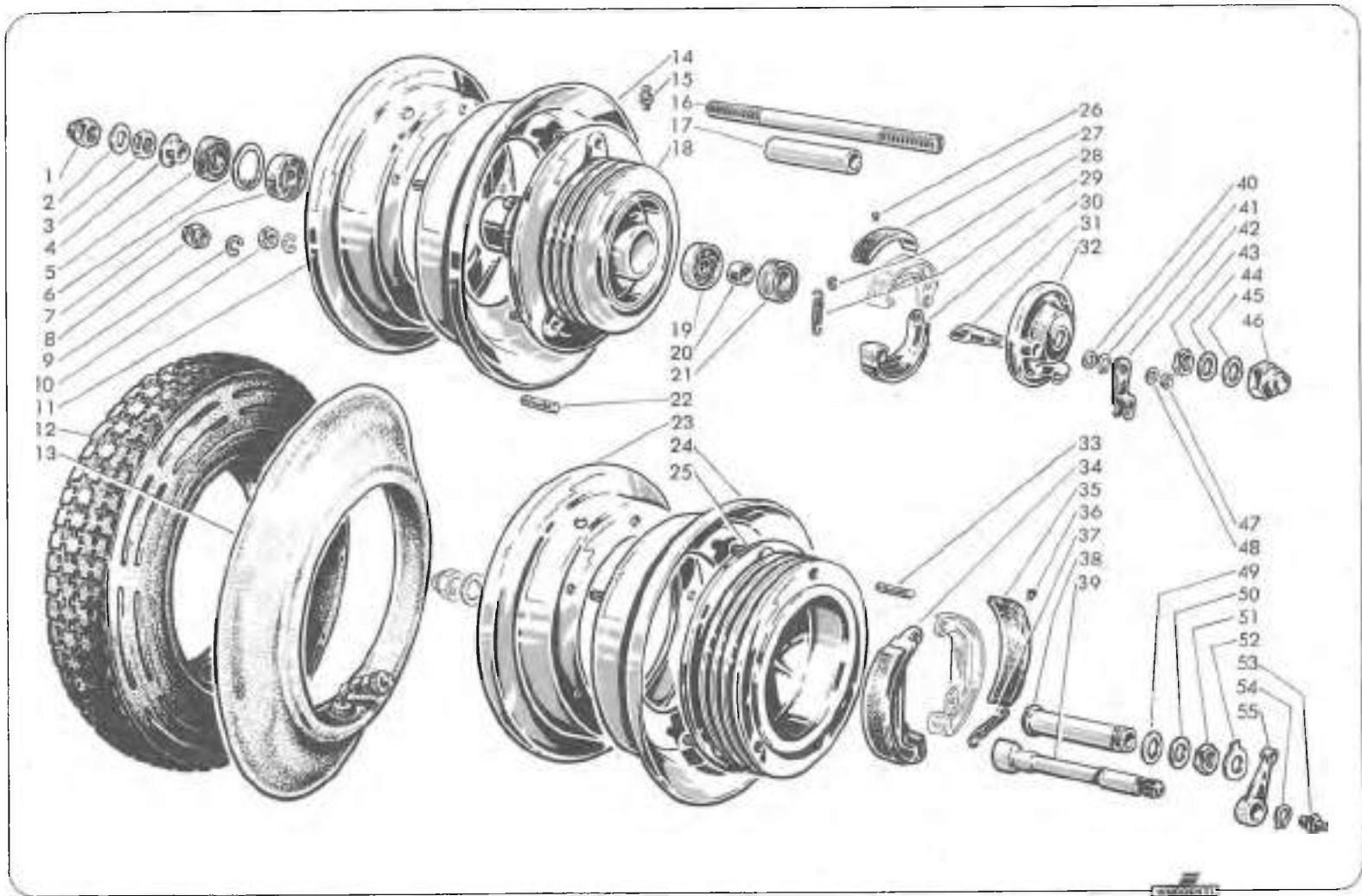


Fig. No.	Part No.	Description	Quantity	Fig. No.	Part No.	Description	Quantity
52	07330333	Tab washer, cam bush locking nut	1	54	73260011	Circlip, retaining rear brake operating lever	1
53	87020006	Grease nipple, for operating cam	1	55	07330332	Operating lever, rear brake control	1

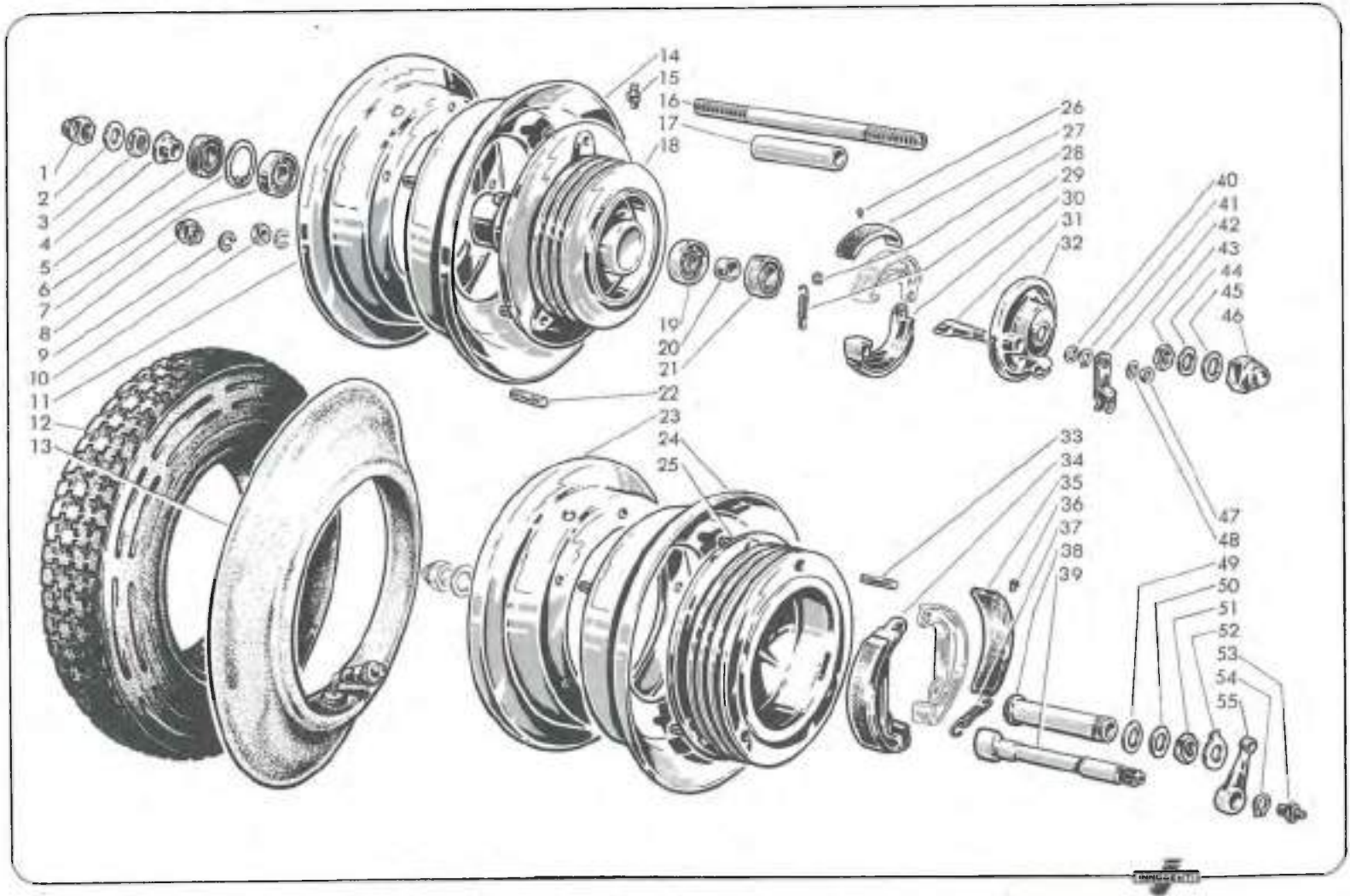


Fig. No.	Part No.	Description	Quantity	Fig. No.	Part No.	Description	Quantity
1	11010466	Cover, for battery (SCAINI) (D-LD/150)	1	36	12010465	Band, retaining resistance (LD electric starter)	1
	19081032	Cover, for battery (FIAMM) (D-LD/150)	1	37	70360307	Screw, connecting resistance (LD electric starter)	2
2	14080102	Protection cap, for battery terminal (D-LD/150)	1	38	12011541	Resistance 3,5 Ω (LD electric starter)	1
3	11011177	Earth wire, for battery (D)	1	39	73170032	Spring washer, for nuts at fig. 40 (LD electric starter)	2
4	19081170	Battery, complete with cover (D-LD/150)	1	40	72000003	Nut, for screws at fig. 37 (LD electric starter)	2
5	70880430	Screw, for strap retaining battery (D)	1	41	11010558	Felt, for battery (D-LD/150)	1
6	15081029	Threaded trunnion (D)	1	42	11010610	Gasket, for number plate support (D)	1
7	15081031	Bored trunnion (D)	1	43	72030005	Nut, for screws at figs. 17 - 19 (D)	4
8	72030005	Nut, for screws at fig. 10 (D)	2	44	73170053	Spring washer, for nuts at fig. 43 (D)	4
9	73170053	Spring washer, for nuts at fig. 8 (D)	2	45	11010609	Gasket, for number plate support (D)	1
10	71360512	Screw, fixing battery support (D)	2	46	15081029	Threaded trunnion (LD/150)	1
11	11011451	Support, battery (D)	1	47	70880430	Screw, fixing battery straps (LD/150)	1
12	70850406	Screw, locking earth wire (D)	1	48	15081031	Bored trunnion (LD/150)	1
13	73170043	Spring washer, for screw at fig. 12 (D)	1	49	11011177	Earth wire, for battery (LD/150)	1
14	11010611	Gasket, for number plate support (D)	1	50	71020528	Screw, fixing number plate (LD)	1
15	07011221	Support, for number plate (D)	1	51	12180266	Rubber pad, for battery (LD electric starter)	1
16	07010603	Spacer, upper, for number plate support (D)	1	52	12010469	Rubber ring, retaining battery (LD electric starter)	1
17	71020525	Screw, fixing number plate (D)	2	53	73170043	Spring washer, for nuts at fig. 54 (LD electric starter)	8
18	11010608	Spacer, lower, for number plate support (D)	1	54	72000004	Nut, for locking support at fig. 30 (LD electric starter)	8
19	71020530	Screw, fixing number plate (D)	2	55	73170032	Spring washer, for nuts at fig. 56 (LD electric starter)	2
20	12011201	Support, for battery (LD/150)	1	56	72000003	Nut, for screws at fig. 35 (LD electric starter)	2
21	73170043	Spring washer, for screw at fig. 22 (LD/150)	1	57	12010468	Separator, for battery (LD electric starter)	1
22	70850406	Screw, for locking earth wire (LD/150)	1	58	12011521	Battery, with cover (LD electric starter)	2
23	71360512	Screw, for fixing battery support (LD/150)	2	59	12010459	Elastic support, for battery (LD electric starter)	1
24	73170053	Spring washer, for nuts at fig. 25 (LD/150)	2	60	11011186	Switch, with cables (LD/150)	1
25	72030005	Nut, for screws at fig. 23 (LD/150)	2		11011491	Switch, with cables (LD/125)	1
26	07011067	Rim, with red gem	1	61	99098104	Screw, fixing switch (D-LD/150)	2
27	99098304	Screw, for locking rim	2	62	06010358	Screw, fixing switch cover (D-LD/150)	2
28	87200008	Fuse, 8 Ampere (LD electric starter)	1	63	15081250	Rectifier (D-LD/150)	1
29	12011526	Fuse-relay group (LD electric starter)	1	64	72030006	Nut, fixing rectifier (D-LD/150)	1
30	12011501	Antivibration support (LD electric starter)	2	65	73170064	Spring washer, for nut at fig. 64 (D-LD/150)	1
31	12010464	Support, for fuse-relay group (LD electric starter)	1	66	11010552	Support, rectifier (D)	1
32	70360510	Screw, fixing support (LD electric starter)	2	67	87200005	Fuse, for rectifier (D-LD/150)	1
33	73170053	Spring washer, for screws at fig. 32 (LD electric starter)	2				
34	72000005	Nut, for screws at fig. 32 (LD electric starter)	2				
35	70910310	Screw, fixing band (LD electric starter)	2				

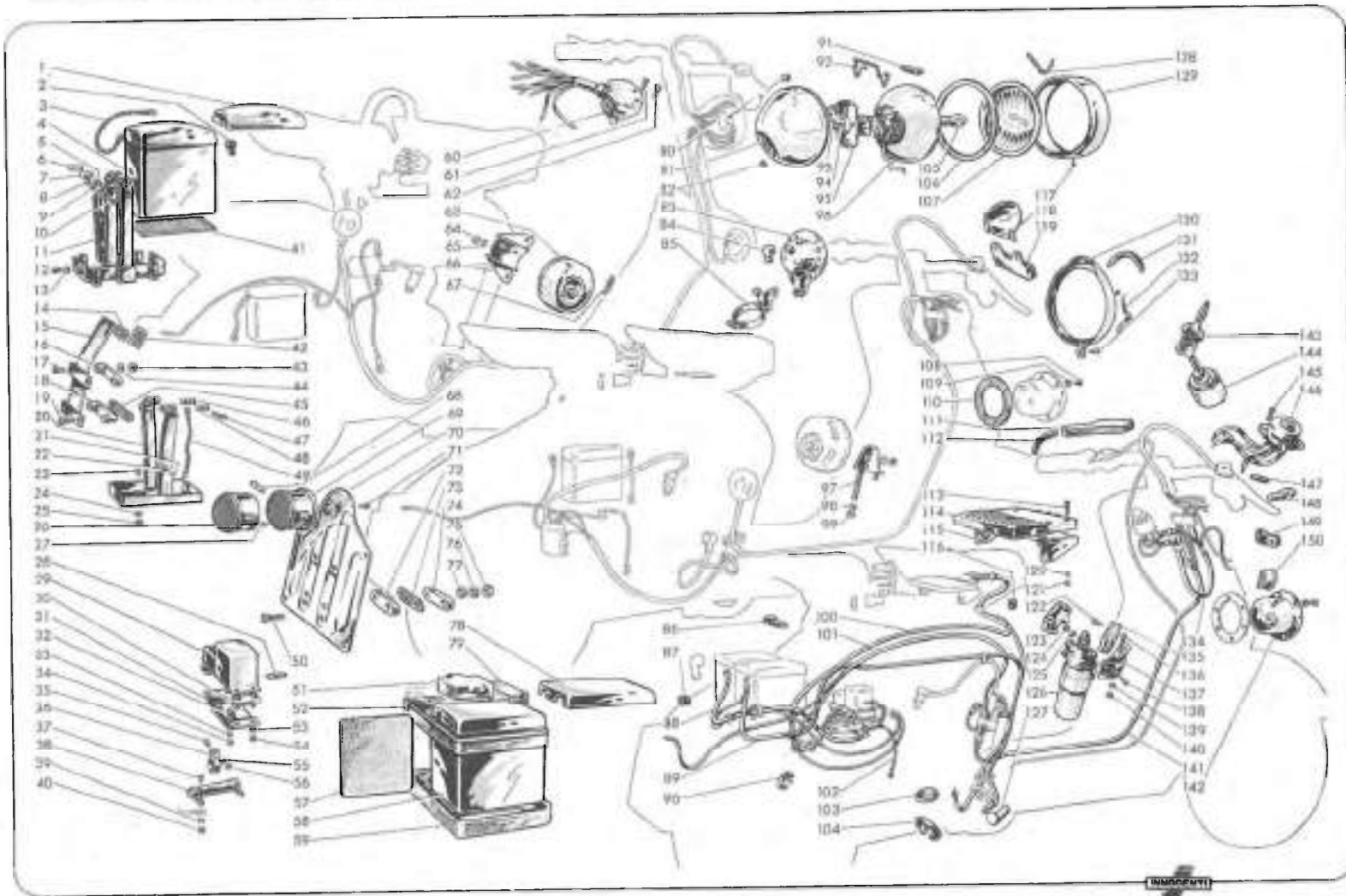


Fig. No.	Part No.	Description	Quantity	Fig. No.	Part No.	Description	Quantity
68	12010154	Bulb, for tail light 12 V - 3 W (LD electric starter)	1		07010144	Bulb, for city light 12 V - 10 W (for machine without battery)	1
	15080004	Bulb, for tail light 6 V - 5 W (D-LD)	1	91	15080004	Bulb for city light 6 V - 5 W (for machine without battery)	1
—	11011071	Number plate, complete with figs. 69 - 70 - 71	1		40010168	Clip, holding lampholder (CARELLO)	1
69	07011066	Tail light, complete	1		15080008	Clip, holding lampholder (CEV)	1
70	40011811	Number plate	1	92	73170053	Spring washer, for screws at fig. 94 (D)	2
71	75710307	Rivet, fixing tail light (D-LD/150)	2	94	70360516	Screw, fixing junction box (D)	2
72	08010603	Spacer, external, for number plate (LD)	2	95	07011266	Junction Box (D)	1
73	12010606	Gasket, for spacers (LD)	2	96	07011337	Lighting Group, with clip at fig. 92	1
74	08010604	Spacer, internal, for number plate (LD)	2	97	12011496	Support, for rectifier (LD/150)	1
75	72030005	Nut, for screws at fig. 50 (LD)	4	98	73170053	Spring washer, for nut at fig. 99 (LD/150)	1
76	73170053	Spring washer, for nuts at fig. 75 (LD)	4	99	72030005	Nut, fixing rectifier support (LD/150)	1
77	73010053	Plain washer, for nuts at fig. 75 (LD)	4	100	12011801	Wire, for connecting flywheel magneto to rectifier, H.T. coil and relay (LD electric starter)	1
78	12010472	Cover, for battery (LD electric starter)	2	101	12011641	Wire, for connecting junction box to relay and tail light (LD electric starter)	1
79	12011546	Connecting bar, battery poles (LD electric starter)	1	102	11011366	Earth wire	1
80	08010142	Light indicator (D)	1	103	86500180	Band, retaining cables (LD electric starter)	1
81	99108010	Headlamp housing (D)	1	104	86500260	Band, retaining cables (LD electric starter)	1
82	73030053	Adjustment washer, headlamp (D)	1	105	15080003	Bulb, twin-filament 6 V - 25/25 W (D-LD)	1
83	99098120	Horn (D-LD/150)	1		02000117	Bulb, yellow, twin-filament 6 V - 25/25 W (D-LD)	1
84	14080102	Protection cap, for horn (D-LD/150)	1	106	99108032	Gasket, for glass	1
85	06011068	Bracket, for horn (D)	1	107	99108031	Glass, for headlamp	1
86	12010596	Band, retaining cables (LD electric starter)	2	108	71200312	Screw, fixing horn (LD)	4
87	12010595	Grommet, for battery cables (LD electric starter)	1	109	73170032	Spring washer, for screws at fig. 108 (LD)	4
88	12011601	Earth wire, from battery negative terminal to frame (LD electric starter)	1	110	08010302	Spacer, for horn (LD)	1
89	12011796	Wire, from battery positive terminal, to electric motor and to the fuse relay group (LD electric starter)	1	111	12010421	Rubber protection, for rectifier wires (LD electric starter)	1
90	86510110	Band, retaining cables (LD electric starter)	3	112	12010580	Protection tube, for rectifier wires (LD electric starter)	1
—	11011456	Headlamp, « CARELLO » complete with figs. 96 - 106 - 128 - 129 (D)	1	113	70940422	Screw, fixing rectifier (LD electric starter)	4
—	11011461	Headlamp « CEV » complete with figs. 96 - 106 - 128 - 129 (D)	1	114	12011531	Rectifier, double bridge (LD electric starter)	1
—	12011651	Headlamp « CARELLO » complete with figs. 96 - 106 - 130 - 132 (LD)	1	115	12010446	Support, for rectifier (LD electric starter)	1
—	12011656	Headlamp « CEV » complete with figs. 96 - 106 - 130 - 132 (LD)	1	116	12010594	Grommet, for rectifier wire (LD electric starter)	1
				117	99098011	Screw, fixing headlamp rim (D)	1
				118	08010144	Deflector, for city light (LD)	1
				119	05011041	Junction box, for headlamp (LD)	1

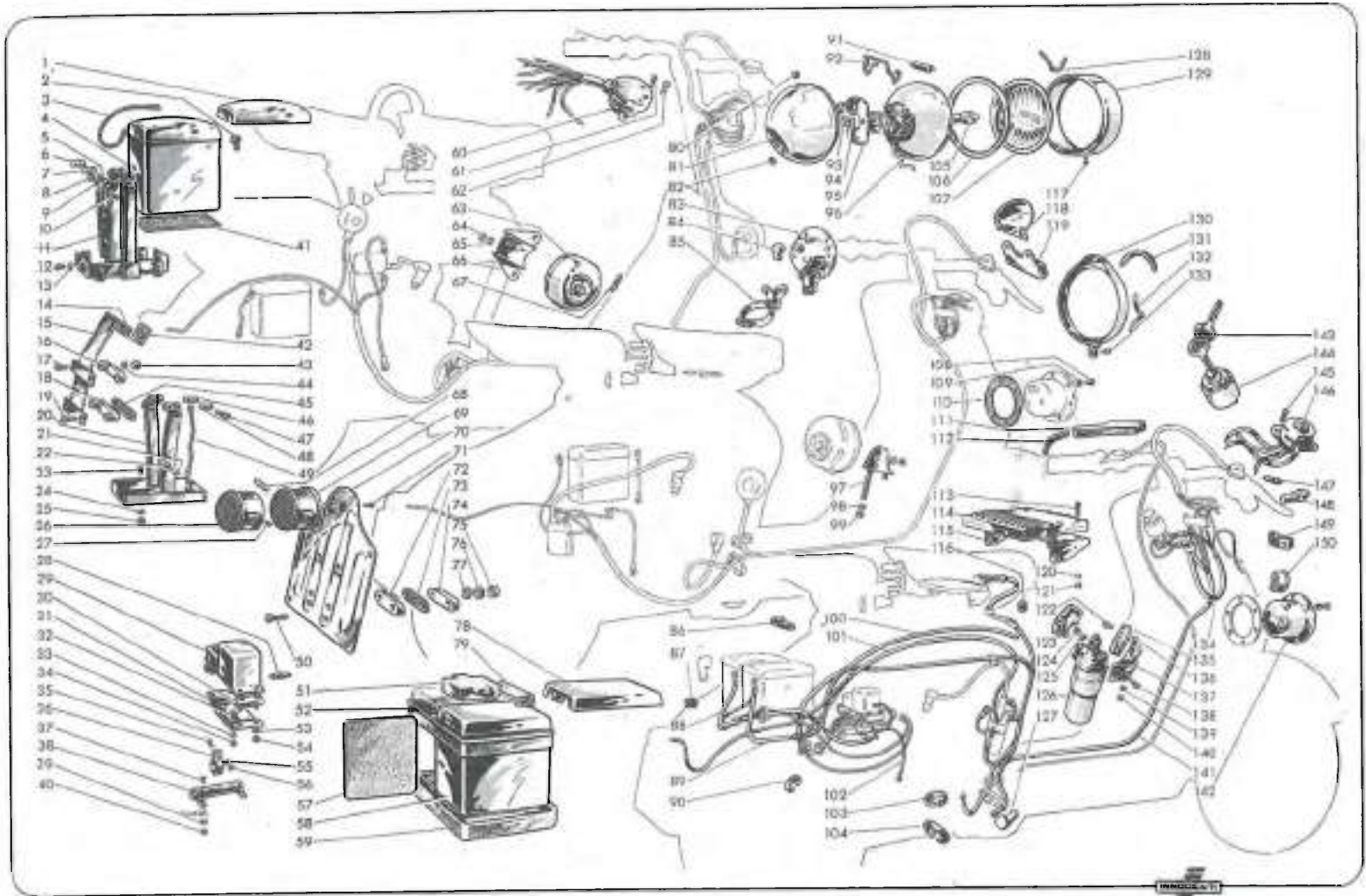
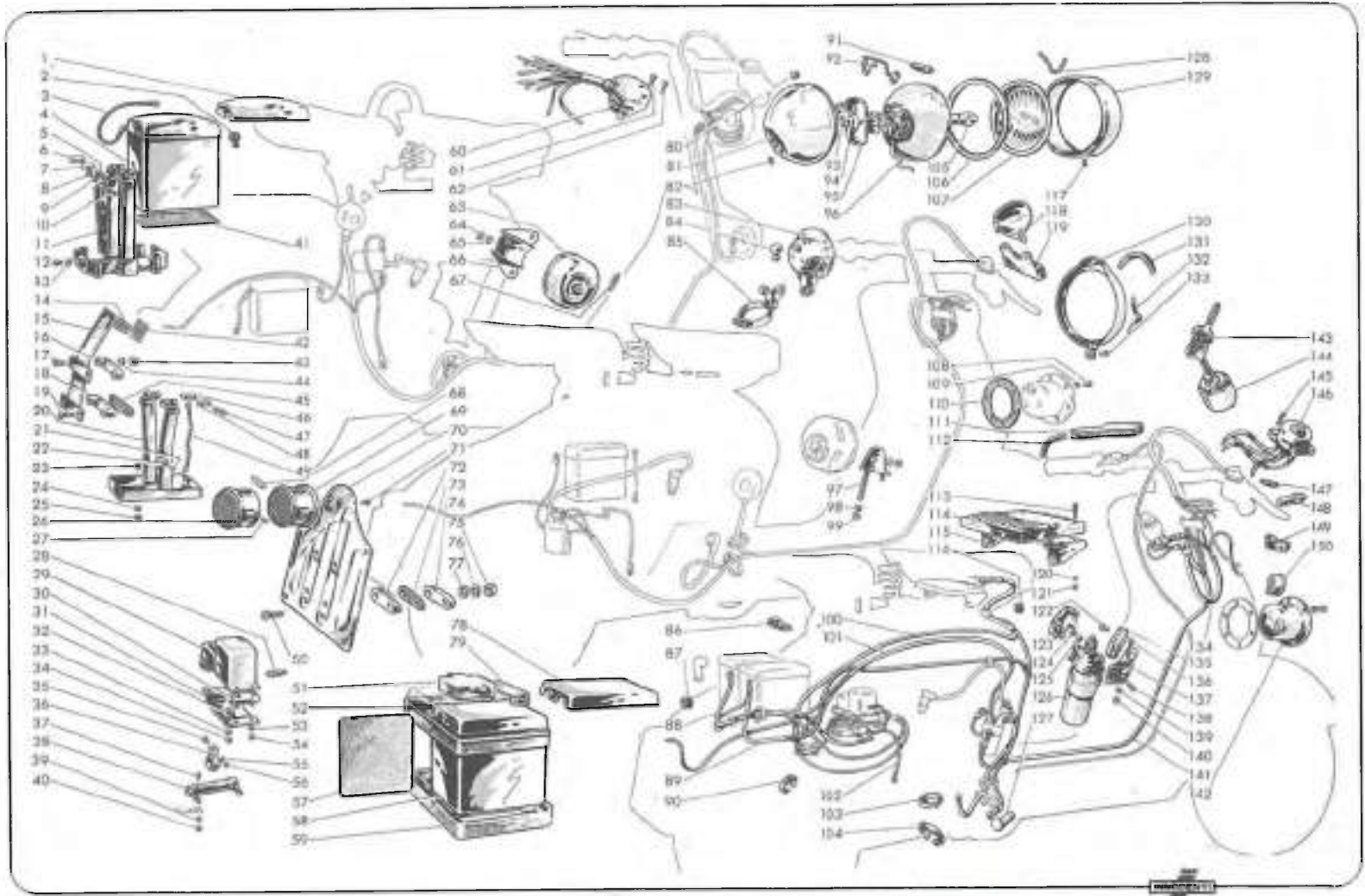


Fig. No.	Part No.	Description	Quantity	Fig. No.	Part No.	Description	Quantity
120	73170043	Spring washer, for nuts at fig. 121 (LD electric starter)	4	136	70300550	Screw, fixing H. T. coil support (LD electric starter)	2
121	72030004	Nut, for screws at fig. 113 (LD electric starter)	4	137	12010586	Support, for H. T. coil (LD electric starter)	1
122	70910312	Screw, for fixing junction box (LD electric starter)	2	138	70850616	Screw, fixing H. T. coil (LD electric starter)	2
123	12010463	Protection cap, for junction box (LD electric starter)	1	139	73170053	Spring washer, for nut at fig. 140 (LD electric starter)	2
124	72030006	Nut, for screws at fig. 138 (LD electric starter)	2	140	72030005	Nut, for screws at fig. 136 (LD electric starter)	2
125	73170064	Spring washer, for nuts at fig. 124 (LD electric starter)	2	141	12011626	Wire, connecting junction box to switch (LD electric starter)	1
126	12011576	H. T. Coil, Bosch, TJ 12/3 (LD electric starter)	1	142	12011571	Horn (LD electric starter)	1
127	08010529	Protection cap, for wires terminal (LD electric starter)	2	*143	15081037	Key, for ignition switch (LD electric starter)	2
128	99108033	Clip, retaining reflector (D)	4	144	12011566	Ignition switch, complete with keys (LD electric starter)	1
129	{ 99108016	Rim, headlamp (CARELLO) (D)	1	145	99098104	Screw, fixing switch (LD electric starter)	2
	{ 99098002	Rim, headlamp (CEV) (D)	1	146	12011621	Switch, for lighting (LD electric starter)	1
130	08011406	Rim, for headlamp (LD)	1	147	12010153	Bulb, for city light 12 V - 5 W (LD electric starter)	1
131	05010113	Gasket, for headlamp rim (LD)	1	148	12010152	Bulb, twin-filament 12 V - 25/25 W (LD electric starter)	1
132	05010131	Clip, retaining reflector (LD)	4	149	12010451	Band, fixing wire connecting electric motor (LD electric starter)	1
133	70910412	Screw, fixing headlamp rim (LD)	1	150	12010304	Protection cap, for horn terminals.	1
134	12011636	Wire, connecting junction box to switch (LD electric starter)	1				
135	12011556	Junction box (LD electric starter)	1				

* When ordering spare keys, please always specify the manufacturer and the serial number stamped on the switch base.



Lambretta

Fig. No.	Part No.	Description	Quantity	Fig. No.	Part No.	Description	Quantity
1	11010466	Cover, for battery (SCAINI)	(LD/150) 1	31	15081031	Bored trunnion, for battery strap (LD electric starter)	1
	19081032	Cover, for battery (FIAMM)	(LD/150) 1		32	15081029	Threaded trunnion, for battery strap (LD electric starter)
2	14080102	Protection cap, for battery terminal	(LD/150) 1	33		12010459	Elastic support, for battery poles (LD electric starter)
3	15081029	Threaded trunnion	(LD/150) 1		34	12011546	Connecting bars, for battery poles (LD electric starter)
4	70880430	Screw, for strap retaining battery	(LD/150) 1	35		12011521	Battery (LD electric starter)
5	15081031	Bored trunnion	(LD/150) 1		36	12010469	Rubber ring, connecting battery (LD electric starter)
6	11011177	Earth wire, for battery	(LD/150) 1	37		12010609	Bar, fixing tail light
7	70850406	Screw, locking earth wire	(LD/150) 1		38	73010053	Plain washer, for nuts at fig. 40
8	73170043	Spring washer, for screw at fig. 7	(LD/150) 1	39		73170053	Spring washer, for nuts at fig. 40
9	71360512	Screw, fixing battery support	(LD/150) 2		40	72030005	Nut, fixing tail light
10	12011201	Support, for battery	(LD/150) 1	41		71020528	Screw, for fixing number plate (lower part)
11	73170053	Spring washer, for nuts at fig. 12	(LD/150) 2		42	70910512	Screw, for fixing number plate (upper part)
12	72030005	Nut, fixing battery support	(LD/150) 2	43		12010608	Number plate
13	19081170	Battery, complete with fig. 1	(LD/150) 1		44	08010302	Spacing ring
14	11010558	Felt, for battery	(LD/150) 1	45		12010304	Protection cap, for horn cable (LD/125-150)
15	12010472	Cover, for battery (150/LD electric starter)	2		46	12011731	Horn (125-150/LD)
16	12010468	Felt, battery (150/LD electric starter)	1	47		73170032	Spring washer, for screws at fig. 48
—	12011821	Tail light, complete with figs. 18 - 19 - 21 - 22	1		48	71200312	Screw, fixing horn
—	12090384	Tail light, with stop light, complete with figs. 18 - 19 - 21 - 22	1	49		08010529	Protection cap, for battery terminal (LD electric starter)
17	12010611	Gasket, for tail light	1		50	12011861	Support, for battery (LD electric starter)
18	12011826	Body, for tail light lamp holder	1	51		12010526	Grommet, for electric wires, (LD electric starter)
19	12011831	Lampholder	1		52	70450508	Screw, fixing battery support (LD electric starter)
20	08010605	Bulb, 6 V - 1,5 W	(LD/150) 1	53		73170053	Spring washer, for screws at fig. 52 (LD electric starter)
	12010154	Bulb, 12 V - 3 W (LD/150 electric starter)	1		54	12011771	Earth wire, for tail lamp
	15080004	Bulb, 6 V - 5 W (LD/125)	1	55		73170053	Spring washer, for nuts at fig. 56
21	12010610	Red gem	1		56	72030005	Nut, for screws at fig. 42
22	19083005	Screw, fixing red gem	2	57		08010604	Block, internal, fixing number plate
23	72030006	Nut, fixing rectifier (LD/150)	1		58	73010053	Plain washer, for nuts at fig. 60
24	73170064	Spring washer, for nut at fig. 23 (LD/150)	1	59		73170053	Spring washer, for nuts at fig. 60
25	15081250	Rectifier (LD/150)	1		60	72030005	Nut, for screws at fig. 41
26	87200005	Fuse, for rectifier 5 Ampere (LD/150)	1				
27	12011496	Bracket, for rectifier (LD/150)	1				
28	73170053	Spring washer, for nut at fig. 29 (LD/150)	1				
29	72030005	Nut, for fixing rectifier bracket (LD/150)	1				
30	70880430	Screw, fixing battery strap (LD electric starter)	1				

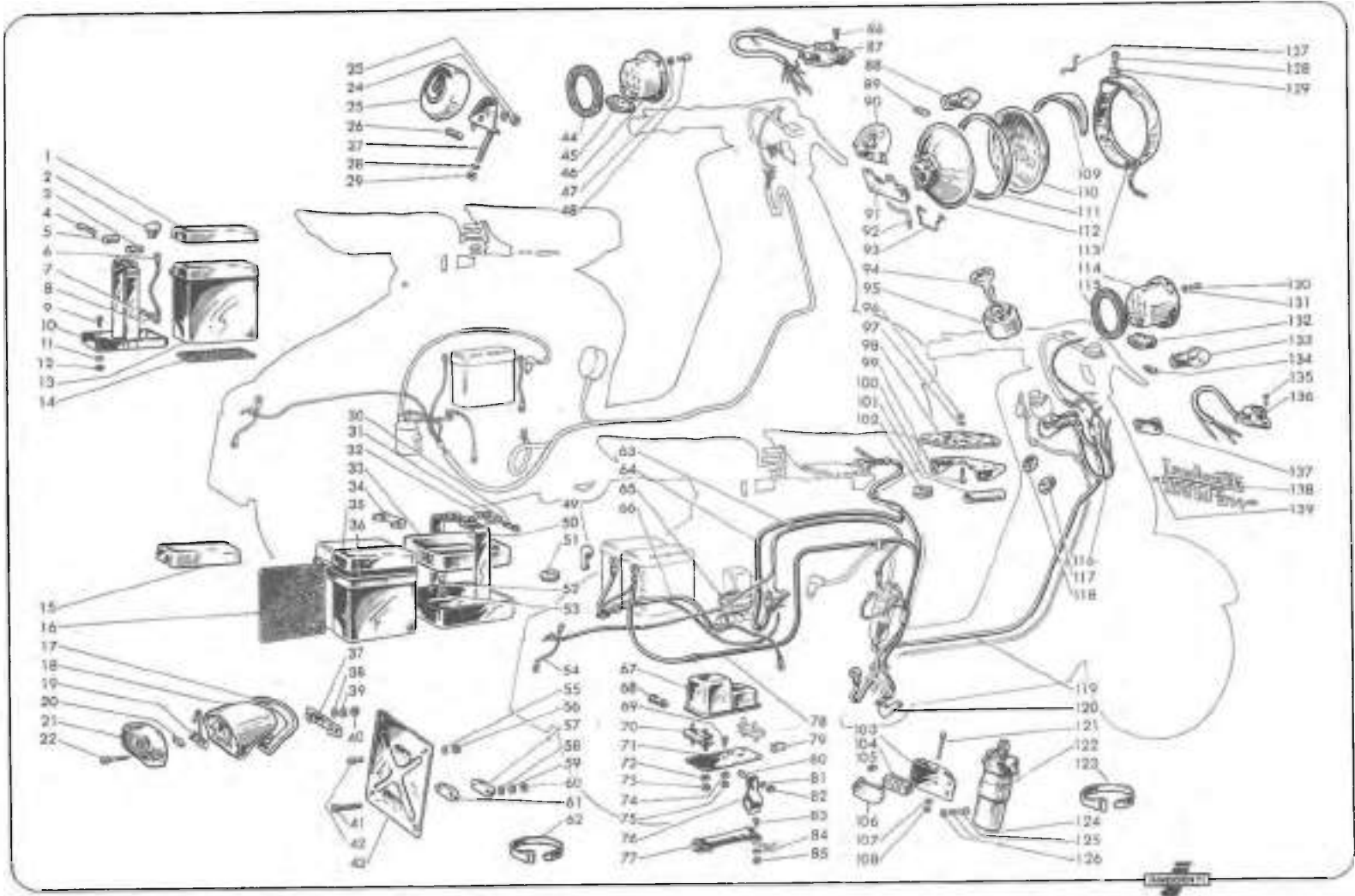


Fig. No.	Part No.	Description	Quantity	Fig. No.	Part No.	Description	Quantity
61	08010603	Block, external, fixing number plate	1	86	70910316	Screw, fixing switch (LD electric starter)	2
62	86500180	Clip, anchoring cables (LD electric starter)	1	87	12011716	Switch, complete (LD/150)	1
63	12011641	Cable, complete, from junction box to relay and tail light (LD electric starter)	1	—	12011726	Switch, complete (LD/125)	1
64	12011801	Cable, complete, from flywheel magneto to rectifier, H. T. coil, and relay (LD electric starter)	1	—	12011701	Headlamp, complete (CEV)	1
65	11011366	Earth wire	1	—	12011721	Headlamp, complete (CARELLO)	1
66	12011601	Earth wire, from battery negative terminal to frame (LD electric starter)	1	—	12011961	Headlamp, complete (APRILIA)	1
67	12011526	Fuse-relay group (LD electric starter)	1	88	02000117	Bulb, yellow, twin-filament 6 V - 25/25 W (D-LD)	1
68	87200008	Fuse, 8 Ampere, (LD electric starter)	1	—	15080003	Bulb, twin-filament 6 V - 25/25 W (D-LD)	1
69	70360510	Screw, fixing antivibration support (LD electric starter)	2	89	15080004	Bulb, for city light 6 V - 5 W (LD/150)	1
70	12011501	Antivibration support (LD electric starter)	2	—	07010146	Bulb, for city light 12 V - 10 W (LD/125)	1
71	12010474	Support, for fuse-relay group (LD electric starter)	1	90	12010165	Deflector, for city light	1
72	73170043	Spring washer, for nuts at fig. 73 (LD electric starter)	8	91	12011676	Junction box, with earth wire at fig. 92	1
73	72000004	Nut, fixing fuse-relay group (LD electric starter)	8	92	11011481	Earth wire, for headlamp	1
74	73170053	Spring washer, for nuts at fig. 75 (LD electric starter)	2	93	15080008	Clip, retaining lampholder (CEV)	1
75	72030005	Nut, for screws at fig. 69 (LD electric starter)	2	—	40010168	Clip, retaining lampholder (CARELLO)	1
76	12010465	Band, retaining resistance (LD electric starter)	1	*94	15081037	Key, for ignition switch (LD electric starter)	2
77	12011541	Resistance, 3,5 Ohm (LD electric starter)	1	95	12011566	Ignition switch, complete with keys (LD electric starter)	1
78	12011796	Wire, from battery positive terminal, to starter motor, and to the relay group (LD electric starter)	1	96	72030004	Nut, for screws at fig. 100 (LD electric starter)	4
79	12011591	Junction box (LD electric starter)	1	97	73170043	Spring washer, for nuts at fig. 96 (LD electric starter)	4
80	70910310	Screw, fixing band at fig. 76 (LD electric starter)	2	98	12011786	Rectifier, double bridge (LD electric starter)	1
81	73170032	Spring washer, for nuts at fig. 82 (LD electric starter)	2	99	12010446	Support, for rectifier (LD electric starter)	1
82	72000003	Nut, for screws at fig. 80 (LD electric starter)	2	100	70940422	Screw, fixing rectifier (LD electric starter)	4
83	70360307	Screw, connecting resistance (LD electric starter)	2	101	12010525	Protection cap, for rectifier terminals (LD electric starter)	3
84	73170032	Spring washer, for nuts at fig. 85 (LD electric starter)	2	102	12010594	Grommet, for rectifier cable (LD electric starter)	1
85	72000003	Nut, for screws, at fig. 83 (LD electric starter)	2	103	12010586	Bracket, H. T. coil (LD electric starter)	1
				104	12011556	Junction box (LD electric starter)	1
				105	70910312	Screw, fixing junction box (LD electric starter)	2
				106	12010463	Protection, for junction box (LD electric starter)	1
				107	73170053	Spring washer, for nuts at fig. 108 (LD electric starter)	2
				108	72030005	Nut, for screws at fig. 121 (LD electric starter)	2
				109	12010160	Hood, for headlamp	1

* When ordering spare keys, please always specify the manufacturer and the serial number stamped on the switch base.

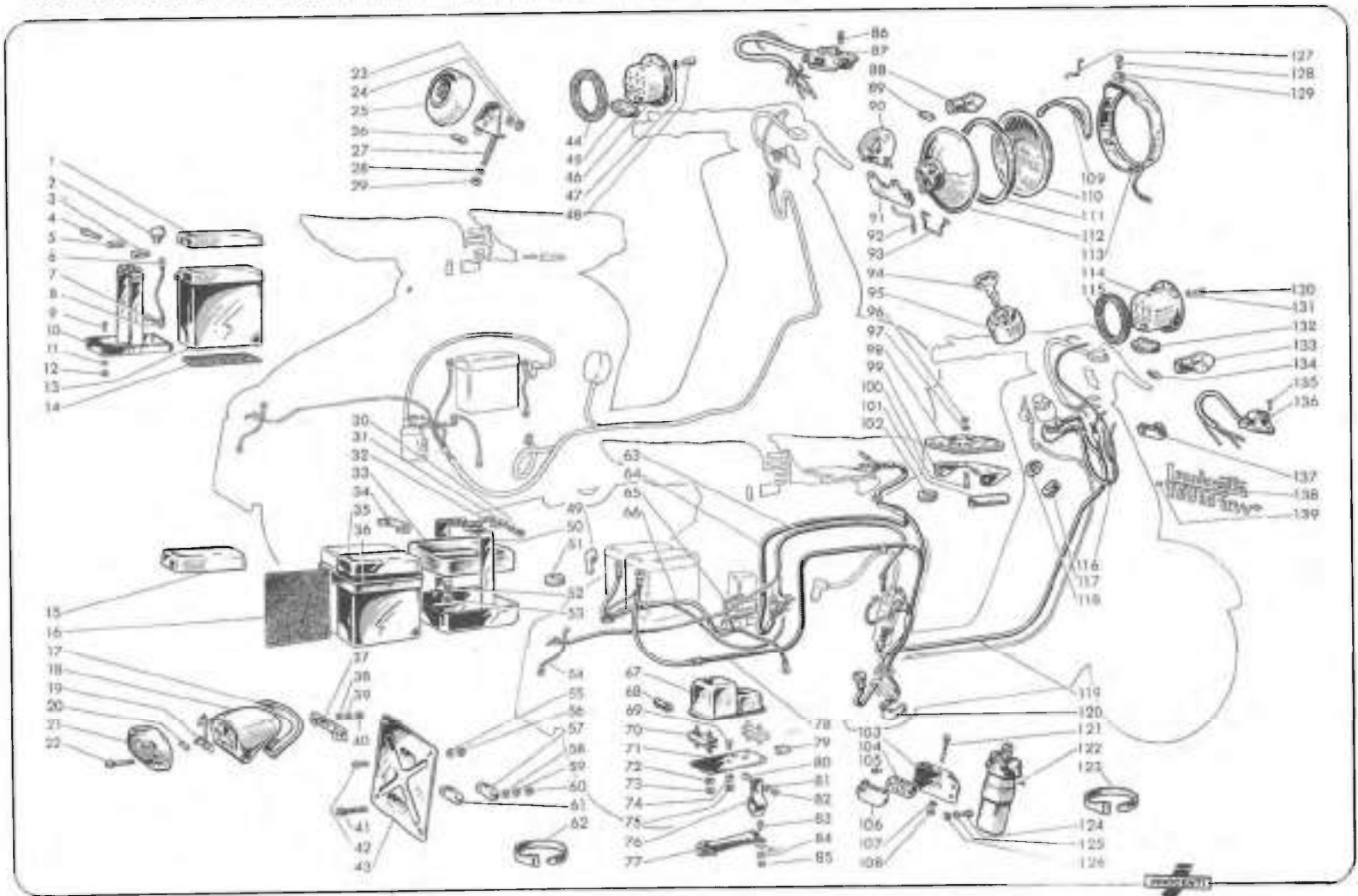


Fig. No.	Part No.	Description	Quantity	Fig. No.	Part No.	Description	Quantity
110	99108031	Glass, for headlamp	1	124	70850616	Screw, fixing H.T. coil (LD electric starter)	2
111	99108032	Gasket, for glass	1	125	73170064	Spring washer, for nuts at fig. 126 (LD electric starter)	2
112	07011337	Lighting group, complete with clip at fig. 93	1	126	72030006	Nut, for screws at fig. 124 (LD electric starter)	2
113	12011836	Rim, for headlamp (CARELLO)	1	127	05010131	Clip, retaining reflector	4
	12011841	Rim, for headlamp (CEV)	1	128	12010163	Screw, fixing rim	3
	12012046	Rim, for headlamp (APRILIA)	1	129	15080002	Cone washer, for screws at fig. 128	3
114	12011706	Horn (LD electric starter)	1	130	71200312	Screw, fixing horn	4
115	08010302	Spacing ring, for horn (LD electric starter)	1	131	73170032	Spring washer, for screws, at fig. 130	4
116	12011636	Cable, from switch to headlamp junction box (LD electric starter)	1	132	12010304	Protection cap, for horn cable (LD electric starter)	1
117	12010594	Grommet, for starter motor control (LD electric starter)	1	133	12010152	Bulb, twin-filament 12 V - 25/25 W (LD electric starter)	1
118	12010595	Grommet, for starter motor control (LD electric starter)	1	134	12010153	Bulb, for city light 12 V - 5 W (LD electric starter)	1
119	12011626	Cable, from switch to junction box (LD electric starter)	1	135	99098104	Screw, fixing double throw switch (LD electric starter)	2
120	08010529	Protection cap, for starter motor control cable (LD electric starter)	1	136	12011791	Double throw switch, complete (LD electric starter)	1
121	70300550	Screw, fixing support (LD electric starter)	2	137	12010451	Band, retaining electric wires (LD electric starter)	1
122	12011576	H. T. coil, Bosch TJ 12/3 (LD electric starter)	1	138	12180184	Name plate, for legshield (LD electric starter)	1
123	86500260	Band, retaining cables (LD electric starter)	1	139	75700245	Rivet, for name plate (LD electric starter)	2

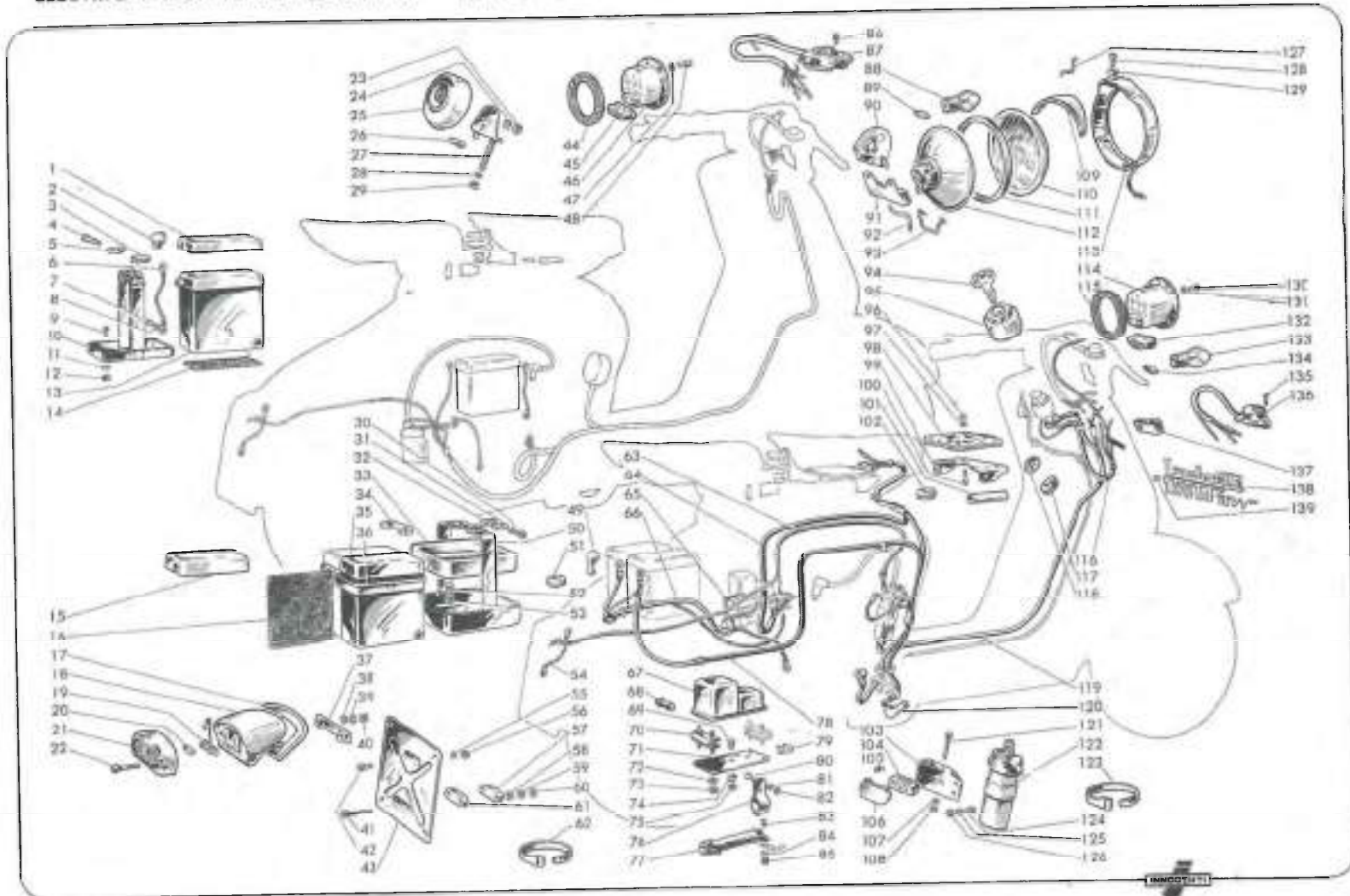


Fig. No.	Part No.	Description	Quantity	Fig. No.	Part No.	Description	Quantity
—	00850523	Starter motor, with clutch cover	1	28	00850246	Screw, for fixing starter switch	2
1	00851247	Oil seal	1	29	73170053	Spring washer, for screws at fig. 28	2
2	00851250	Bush, splined shaft	1	30	00851391	Starter switch, complete	1
3	00851177	Bush, for supporting splined shaft	1	31	00851394	Gasket, for starter switch	1
4	00851301	Free wheel	1	32	00851413	Gasket, for brush holder	1
5	74400330	Split pin, for gear control shaft	1	33	00851424	Brush holder	1
6	71060620	Screw, fixing support flange	1	34	00851330	Bush, for brush holder	1
7	73170064	Spring washer, for screw at fig. 6	1	35	73010043	Plain washer, for seal ring at fig. 36	2
8	00851315	Clutch cover, complete with figs. 1 - 2 - 3	1	36	00611018	Seal ring	2
9	00851422	Ring, locking gear at fig. 10.	1	37	08010441	Bush, for cable adjustment	1
10	00851324	Gear, armature splined shaft	1	38	08010443	Counternut, for adjustment pin	1
11	00851312	Gear, with splined shaft	1	39	08010442	Pin, for adjustment cable	1
12	00854652	Key, for locking gear	1	40	12011396	Cable, starter control	1
13	00854624	Bush, armature shaft	1		12011866	Cable, starter control (for machine with epicyclic starter)	1
14	00851259	Seal ring	1	41	72060004	Nut, for wire terminal	1
15	00854633	Return spring, free wheel	1	42	15031007	Spacing bush	1
16	00851279	Shaft, gear control	1	43	72060004	Nut, for wire terminal	1
17	00851311	Gasket, for support flange	1	44	00661050	Plain washer, for nuts at fig. 43	2
18	00851436	Support flange, complete, with fig. 13	1	45	00851332	Spring, brushes control	2
19	00851421	Armature	1	46	00851412	Brush	2
20	00851307	Tie rod, for locking motor frame	2	47	73170043	Spring washer, for screws at fig. 48	2
21	00851420	Motor frame, complete with figs. 22 - 24	1	48	70850409	Screw, fixing brush to holder	2
22	71300610	Screw, for locking polar pieces	4	49	00851398	Protection hose, for switch pin	1
23	12011491	Lever, starter control	1	50	73170053	Spring washer, for nuts at fig. 51	2
	12011741	Lever, starter control (only for machine with epicyclic starter)	1	51	72060005	Nut, for locking starter motor	2
24	00851471	Armature field	1	52	00851306	Cover, commutator side	1
25	73170064	Spring washer, for screws at fig. 26	2	53	73170043	Spring washer, for nuts at fig. 54	2
26	71060665	Screw, fixing support flange to clutch cover	2	54	72060004	Nut, fixing cover to tie rod	2
27	00851395	Seal ring	1				

ELECTRIC STARTER

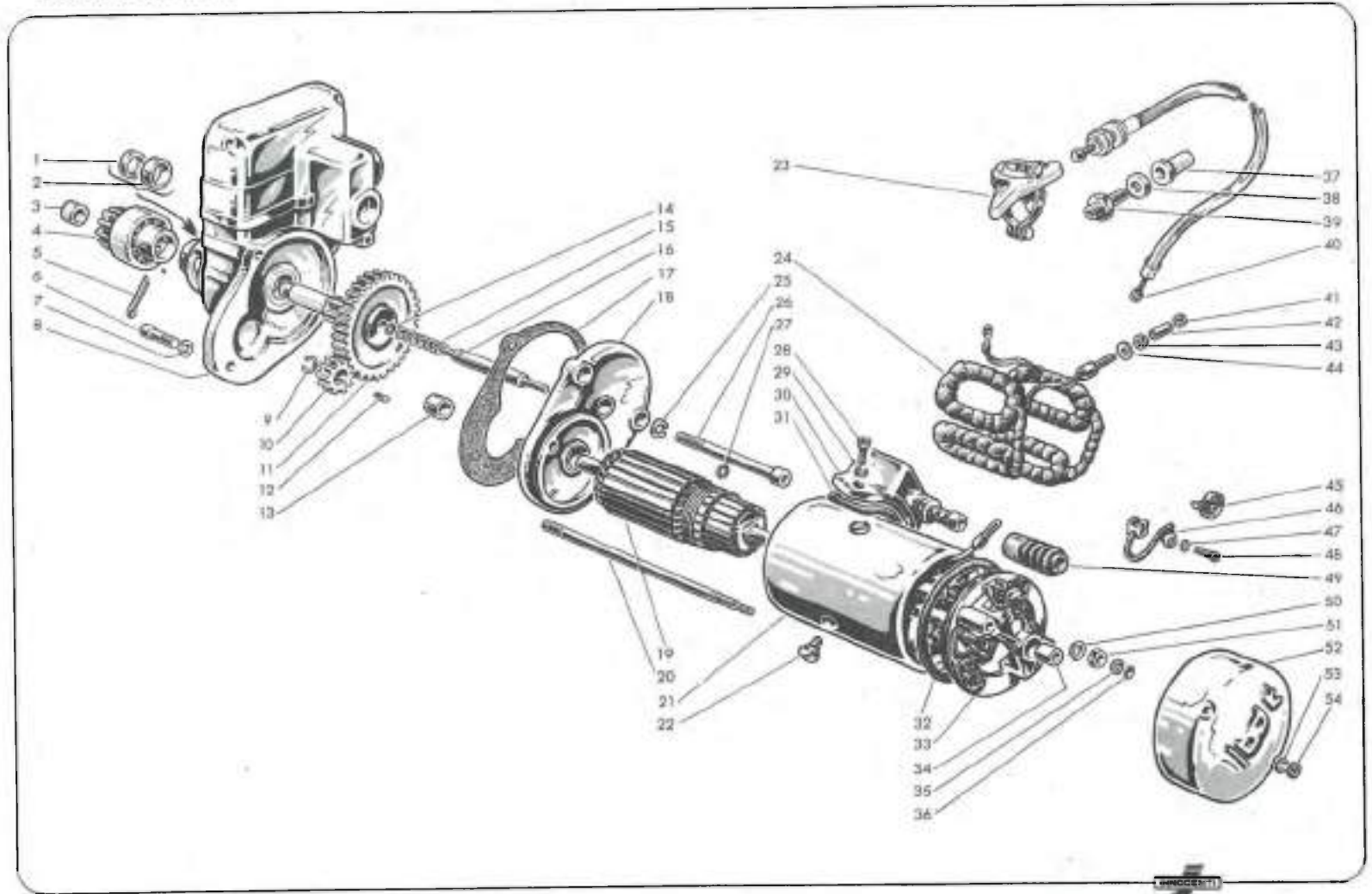
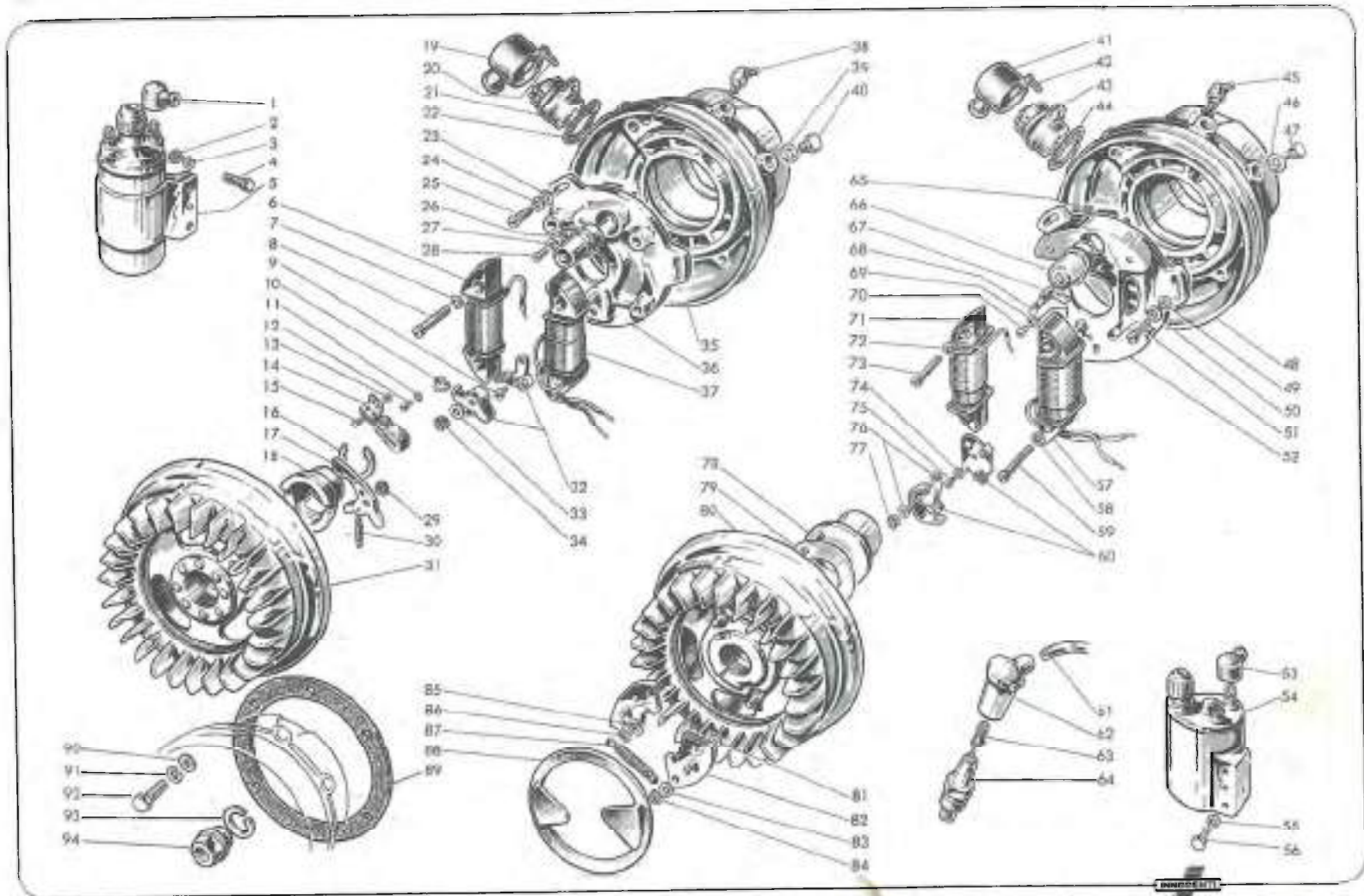
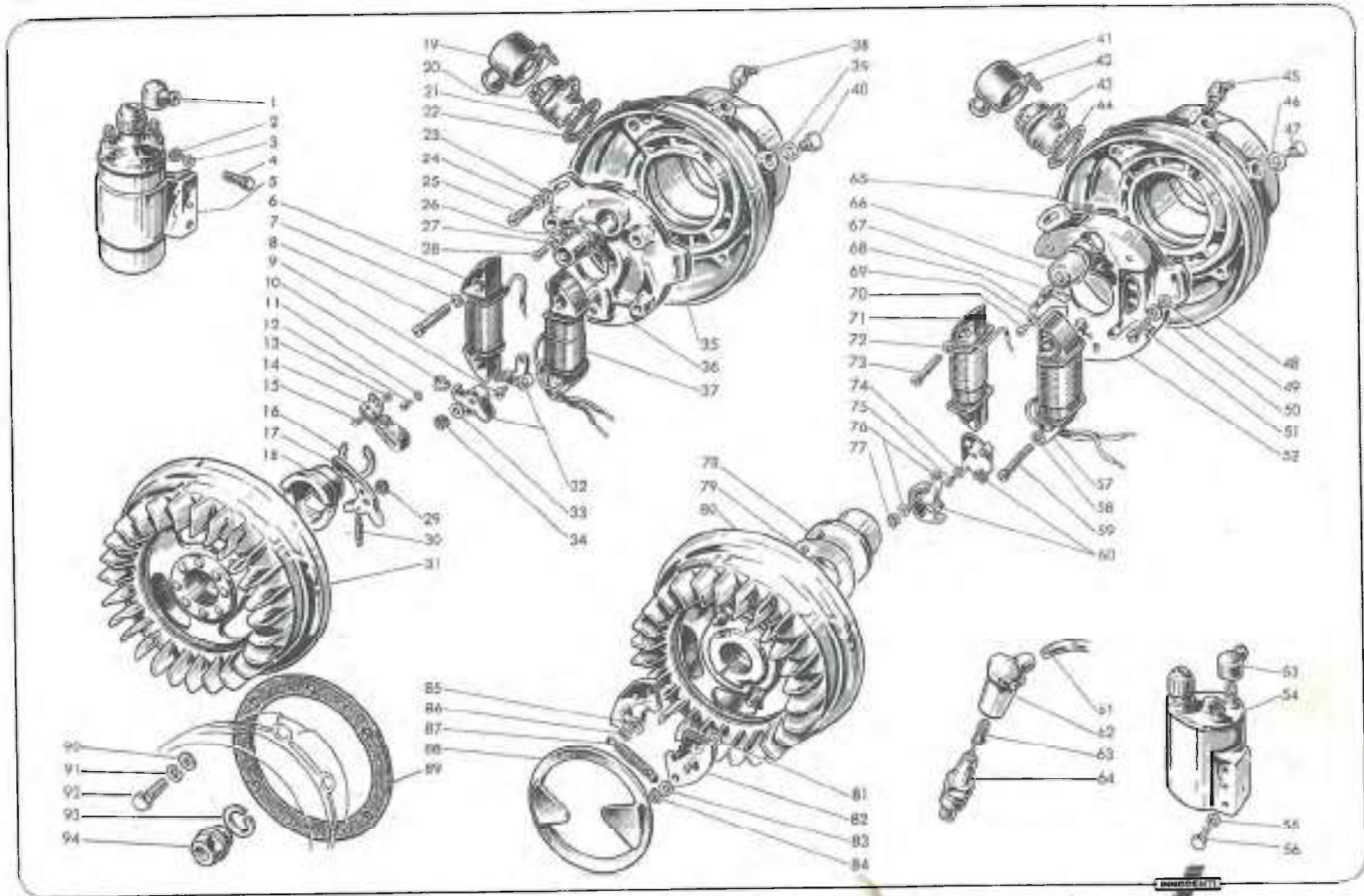


Fig. No.	Part No.	Description	Quantity	Fig. No.	Part No.	Description	Quantity	
—	00831586	MVB 4 E						
1	11010511	Flywheel magneto, « Marelli » (without flange at fig. 35)	1	32	00831611	{ AVS 2/40-D AVS 2/41-A	Contact points	1
2	72030004	Protection cup, H.T. coil terminals	2	33	00831574	90058-301	Shim, for contact points	1
3	73170043	Nut, for screws fixing H.T. coil	3	34	00831460	N. 1853/4	Circlip, retaining contact points	1
4	70300414	Spring washer, for nuts at fig. 2	3	35	11110113		Flange, flywheel magneto	1
5	00831579	B 101 E		36	00831590	MVA 21/11-D	Stator plate	1
6	12011081	H. T. coil	1	37	00831551	MVB 4/30-C	L. T. lighting coil (D-LD/150)	1
7	00831549	MVB 4/25-B			00831584	MVB 4/30-D	L. T. lighting coil (LD/125)	1
8	00831526	MVB 4/25-A		38	87030008		Grease nipple, for crankshaft bearing	1
9	73170053	L. T. ignition coil (LD/125)	1	39	14010014		Gasket, for breather plug	1
10	00831423	90012/171		40	11110112		Breather plug	1
11	00831437	95086-1		—	00811413	C. 12336	Flywheel magneto « Filso » (without flange at fig. 48 (LD electric starter)	1
12	00831482	AVS 2/410-1		—	00811426	C 12340	Flywheel magneto « Filso » (without flange at fig. 48 (LD electric starter)	1
13	00831424	90024-3		41	99098221		Protection cap, L. T. socket	1
14	00831461	90010-131		42	71200410		Screw, fixing L. T. socket	1
15	00831522	90022-51		43	11011231		L. T. socket	1
16	00831410	MVA 21/12-A		44	11010515		Gasket, for L. T. socket	1
17	00831431	90034-221		45	87030008		Grease nipple, for crankshaft bearing	1
18	00831555	MVB 4/521-1		46	14010014		Gasket, for breather plug	1
19	00831589	MVB 4/55 C		47	11110112		Breather plug	1
20	00831588	MVB 4/520-2		48	11110113		Flange, flywheel magneto	1
21	99098221	Protection cup, L. T. socket	1	49	73030053		Plain washer, for screws at fig. 51	3
22	71200410	Screw, fixing L. T. socket	1	50	73170053		Spring washer, for screws, at fig. 51	3
23	11011231	L. T. socket	1	51	70850518		Screw, fixing stator plate	3
24	11010515	Gasket, for L. T. socket	1	52	00811352	E 12045	Stator plate	1
25	73030053	Plain washer, for screws at fig. 25	3	53	11010511		Protection cup, H. T. coil terminals	2
26	73170053	Spring washer, for screws at fig. 25	3	54	00811384	C. 12128/1	H. T. coil	1
27	70850518	Screw, fixing stator plate	3	55	73170043		Spring washer, for screws, at fig. 56	3
28	00831521	CE 4 H		56	70360410		Screw, fixing H. T. coil	3
29	00831426	90024-5			00811359	C. 12048	L. T. lighting coil (D-LD/150)	1
30	00831462	90028-31			00811390	C. 12159	L. T. lighting coil (LD/125)	1
31	00831558	90070-4		57	00811396	C. 12167/1	L. T. lighting coil (LD electric starter)	1
32	00831557	MVB 4/522-1		58	00811345	20418/5,3	Tab washer, for screws at fig. 59	2
33	00831587	MVB 4/52-B		59	00811360	20018/5 x 34	Screw, fixing L. T. lighting coil	2



Lambretta

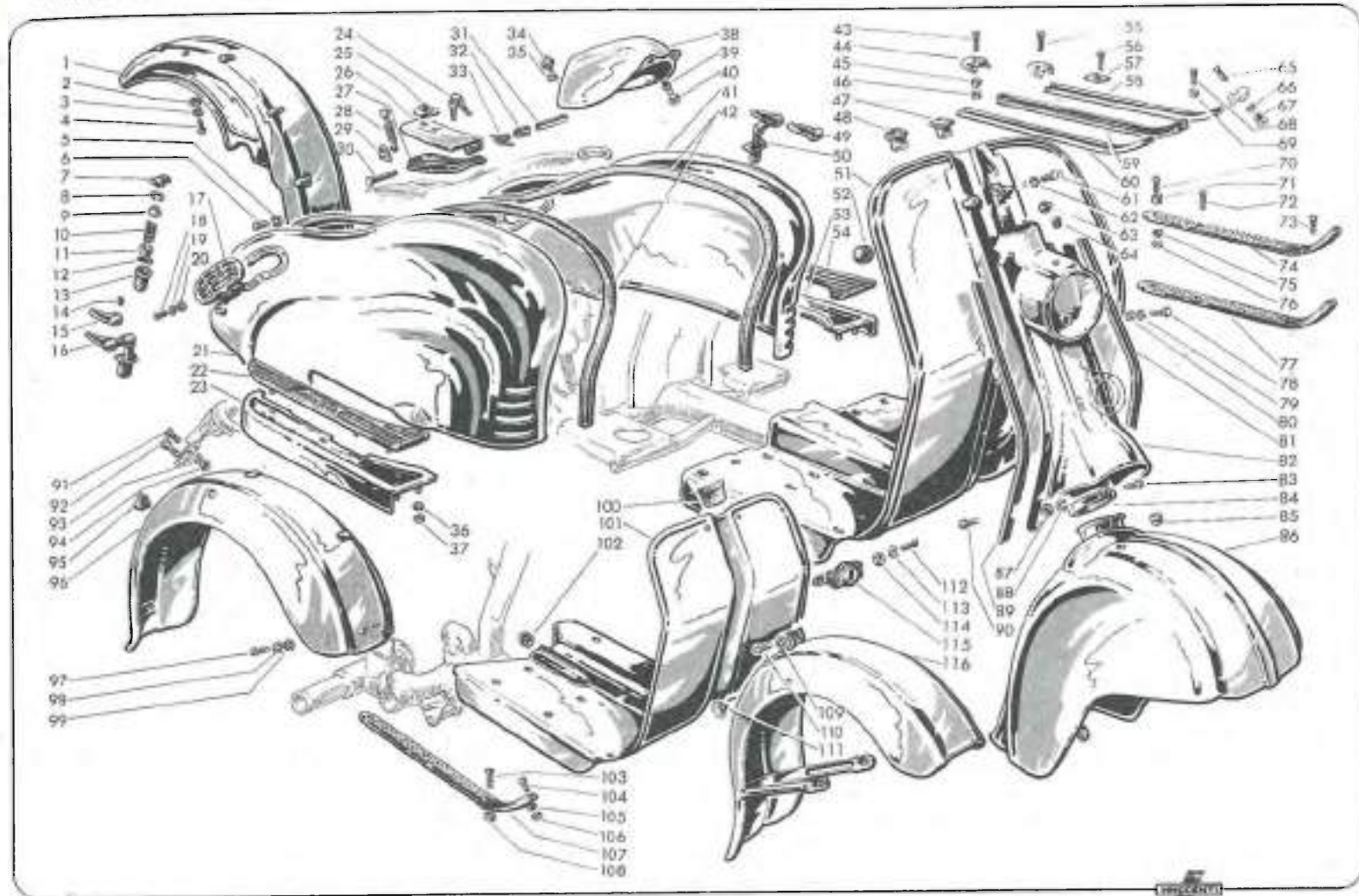
Fig. No.	Part No.	Description	Quantity	Fig. No.	Part No.	Description	Quantity
60	00811432	Contact points	1	78	00811362	C. 12033/1	1
61	12010507			H. T. lead	1	79	00811363
62	15017070	Cap, for spark plug with screw at fig. 63	1		00811414	C. 12335/1	1
63	15017012	Screw, for fixing H. T. lead	1	80	00811427	C. 12339/1	1
64	14010701	Spark plug	1				
65	72000005	Nut, for screws, at fig. 59-73	4	81	00811366	N. 116/45	2
66	00811356	I. 12009	1	82	00811368	C. 12057/1	2
67	00811353	E. 11803	1	83	00811371	N. 116/76	2
68	00811284	E. 11252/R 1	1	84	00811372	247/bis/6	2
69	00811339	N. 246/3	1	85	00811364	N. 116/75	4
70	00811380	20037/3 x 5	1	86	00811365	247/bis/5	2
	00811346	C. 11978	1	87	00811370	C. 12063	1
71	00811400	C. 12211/1	1	88	00811374	E. 12061	1
	00811395	C. 12168/1	1	89	11110131		1
72	00811345	20418/5,3	2	90	73030064		6
73	00811355	20018/5x28	2	91	73170064		6
74	00811288	20403/4,3	1	92	02110108		6
75	00811354	20017/4 x 8	1	93	02110311		1
76	00811313	N. 116/1	2	94	02110312		1
77	00811312	N. 235	1				



Lambretta

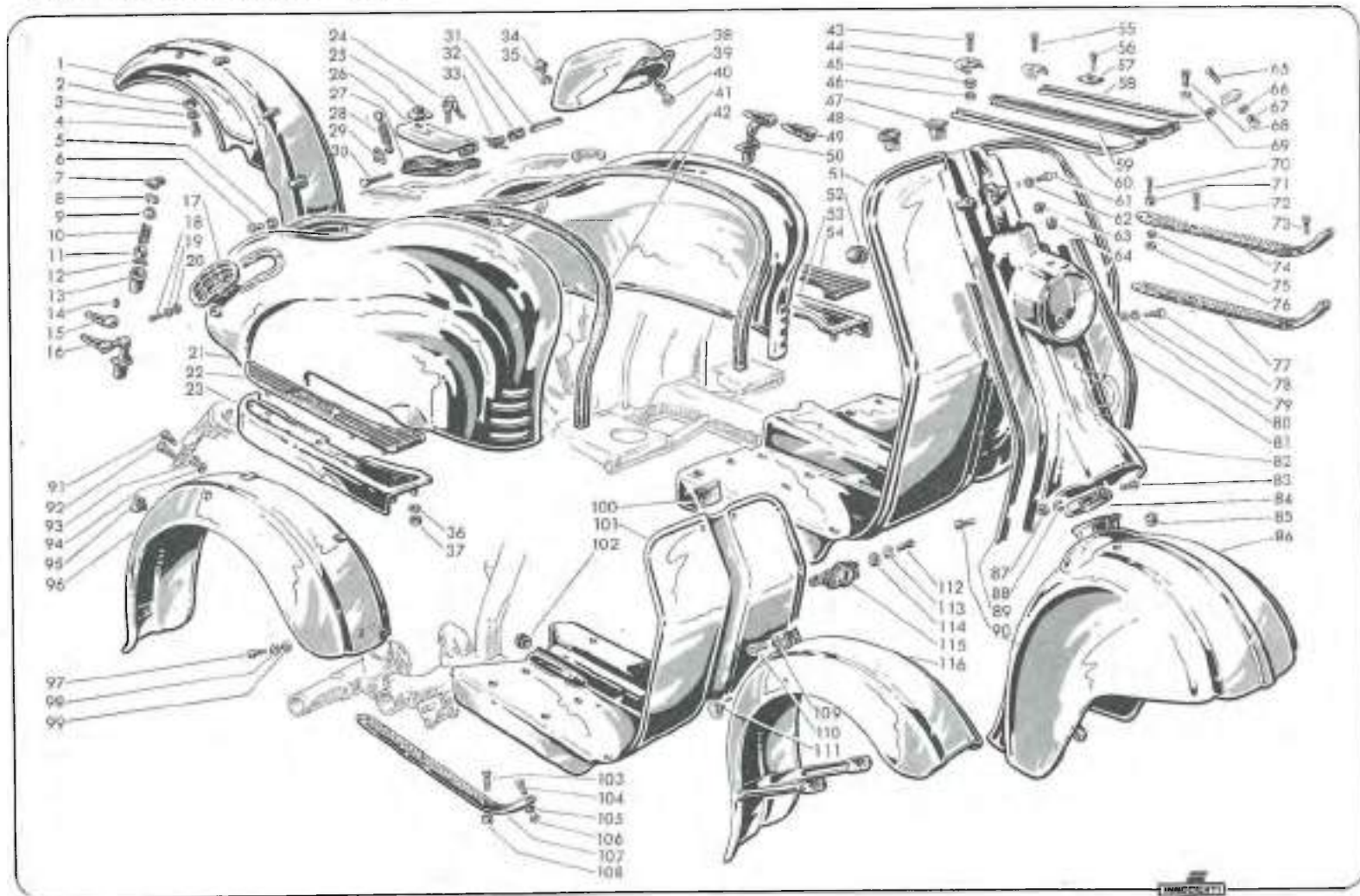
Fig. No.	Part No.	Description	Quantity	Fig. No.	Part No.	Description	Quantity
1	12181081	Mudguard, rear	1	33	12180225	Return spring, luggage box lid	1
2	72030005	Nut, for screws at fig. 4	2	34	12180264	Bolt, fixing battery cover n. 12181321 (LD electric starter)	1
3	73170053	Spring washer, for screws at fig. 4	2	35	73170064	Spring washer, for screw at fig. 34	1
4	70910510	Screw, fixing rear mudguard	2	36	73170053	Spring washer, for nuts at fig. 37	8
5	73170053	Spring washer, for screws at fig. 6	2	37	72000005	Nut, for fixing bootboards	8
6	70910508	Screw, fixing rear mudguard	2	38	12181321	Cover, for battery box (LD electric starter)	1
7	15055044	Bush, for panel lock	2		12181461	Cover, for battery box (for frame with air intake in the luggage box) (LD electric starter)	1
8	15055047	Clip, for panel cup lock	2	39	12180271	Pin, for battery cover n. 12181461	2
9	15055045	Cup, retaining spring	2	40	72030008	Nut, for pin at fig. 39	2
10	15055042	Pressure spring, for panel lock	2	41	12181331	Panel L. H.	1
11	15055043	Cup, retaining spring	2	42	08180222	Beading, for panel	2
12	74400330	Split pin, for panel lock	2	43	71450425	Screw, for fixing end caps	4
13	15055046	Protection cap, for panel lock	2	44	08180142	End cap	12
14	15055048	Grub, locking handle	2	45	05180172	Spring washer, for screws at figs. 43-55	6
15	05180201	Handle, for R. H. lock	1	46	72030004	Nut, for screws at figs. 43-55	6
16	12090368	Lock R. H., complete with figs. 7 - 8 - 9 - 10 - 11 - 12 - 13 - 14 - 15	1	47	12770231	Protection, for cables (LD/125)	1
17	12180269	Grill, for panel (suitable for the old panels)	2	48	12770232	Protection, for cables (LD/125)	1
18	12180247	Screw, for fixing grills to the old panels	8	49	05180202	Handle, for L. H. lock	1
19	73010043	Plain washer, for screws at fig. 18	8	50	12090367	Lock, L. H. complete with figs. 7 - 8 - 9 - 10 - 11 - 12 - 13 - 14 - 49	1
20	72090004	Nut, for screws at fig. 18	8	51	12181421	Legshield	1
21	12181336	Panel R. H.	1	52	12180195	Rubber plug, for legshield	1
22	08181241	Mat, footboard R. H.	1	53	08181046	Footboard L. H.	1
23	12181426	Footboard R. H.	1	54	08181246	Mat, for L. H. footboard	1
*24	15055056	Key, for luggage box lock	2	55	71420418	Screw, for fixing end caps	2
25	12181371	Lock, with keys	1	56	08180175	Screw, for fixing beading channel	6
26	12181366	Lid, luggage box, with lock at fig. 25 (LD epicyclical starter)	1	57	19050098	Elastic nut, for screws at fig. 56	6
27	12180228	Beading, luggage box lid	1	58	08180144	Beading channel, inner	2
28	12180248	Spring, fixing tool bag	1	59	08180140	Beading, for footboard	6
29	15086015	Plate, for spring	1	60	08180145	Beading channel, outer and intermediate	4
30	12180224	Pin, luggage box hinge	1	61	70910512	Screw, fixing legshield and junction box to frame	2
31	12180223	Tube, for lid hinge	1	62	73170053	Spring washer, for screws at fig. 61	2
32	12180226	Tube, retaining lid spring	1				

* When ordering spare keys, please always specify the manufacturer and the serial number stamped on the lock base.



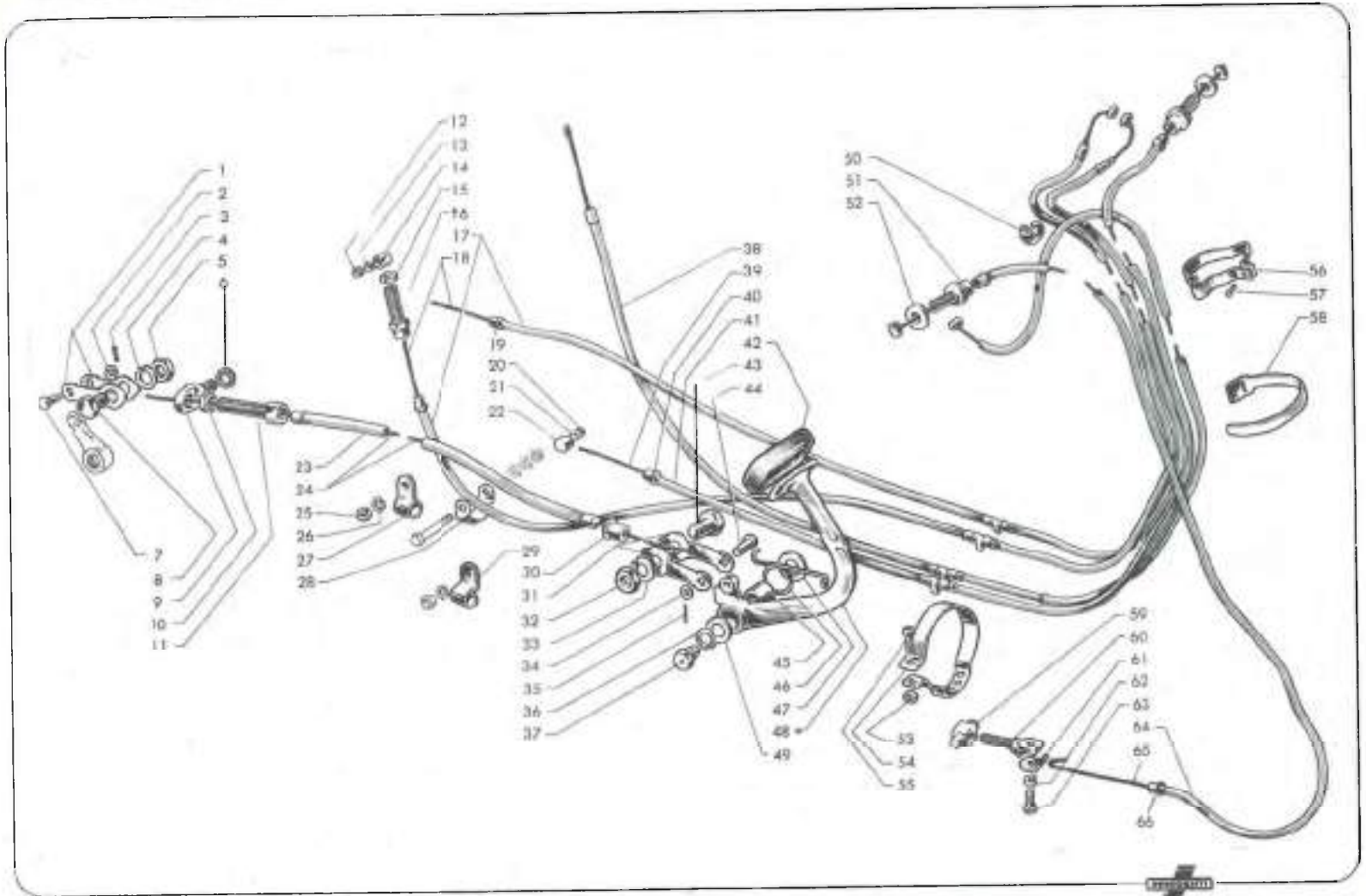
Lambretta

Fig. No.	Part No.	Description	Quantity	Fig. No.	Part No.	Description	Quantity
63	08010913	Rubber plug, for legshield	4	90	71480512	Screw, for fixing horn casting to legshield	2
64	08010142	Light indicator	1	91	70910514	Screw, fixing rear mudguard	1
65	71420409	Screw, fixing end caps	6	92	70360518	Screw, fixing rear mudguard	1
66	83100006	Spring washer, for screws at fig. 65	6	93	73170053	Spring washer, for screws at figs. 91-92	2
67	12180137	Special screw, for end caps	6	94	72030005	Nut, for screws at figs. 91-92	2
68	19050096	Screw, fixing legshield and beading channel	6	95	11180302	Buffer, anchoring rear mudguard	2
69	72030004	Nut, for screws at fig. 68	6	96	11181021	Rear mudguard	1
70	71450425	Screw, for fixing footboard strips (LD/125)	4	97	70910512	Screw, fixing rear mudguard	2
71	05180147	Antivibration spacer (LD/125)	18	98	73170053	Spring washer, for screws at fig. 97	2
72	71420416	Screw, for fixing footboard strips (LD/125)	14	99	73030053	Plain washer, for screws at fig. 97	2
73	71450428	Screw, for fixing footboard strips (LD/125)	6	100	99095062	Rubber pad, for legshield	1
74	12180190	Strip, footboard (LD/125)	2	101	11180130	Legshield	1
75	05180172	Spring washer, for screws at figs. 70-72 (LD/125)	18	102	07180152	Grommet, for gear change cables	1
76	72030004	Nut, for screws at figs. 70-72-73 (LD/125)	24	103	71450425	Screw, fixing footboard strips	12
77	12180191	Strip, footboard (LD/125)	4	104	71420418	Screw, fixing footboard strips	4
78	70300620	Screw, for fixing horn casting to frame	2	105	05180172	Spring washer, for screws at fig. 104	4
79	73170064	Spring washer, for screws at fig. 78	2	106	72030004	Nut, for screws at fig. 104	4
80	73010064	Plain washer, for screws at fig. 78	2	107	07180150	Strip, footboard	4
81	05180171	Beading, L.H. for horn casting	1	108	05180147	Antivibration spacer	16
82	08181286	Horn casting	1	109	73170064	Spring washer, for screws at fig. 110	3
	12181386	Horn casting, for machine with handlebar cowl)	1	110	70360614	Screw, fixing front mudguard	3
83	70300520	Screw, for clip fixing front mudguard	1	111	15060039	Buffer, anchoring front mudguard	2
84	05770125	Clip, fixing front mudguard	1	112	70910508	Screw, fixing legshield and stirrup	2
85	03180109	Grommet, front brake cable	1	113	73170053	Spring washer, for screws at fig. 112	2
86	08771046	Mudguard, front	1	114	06180141	Dome nut, for screws at fig. 112	2
87	72030005	Nut, for screw at fig. 83	1	115	07181121	Stirrup, with name plate fixing legshield	1
88	73170053	Spring washer, for nut at fig. 87	1	116	99106050	Front mudguard	1
89	05180170	Beading, R.H. for horn casting	1				



Lambretta

Fig. No.	Part No.	Description	Quantity	Fig. No.	Part No.	Description	Quantity
1	15059012	Rod, for rear brake control	2	22	15022008	Trunnion, locking clutch cable	1
2	83010601	Washer, for pin	1	23	11181256	Cable, rear brake (D)	1
3	74401522	Split pin, for pin	1		12181436	Cable, rear brake (LD)	1
4	73170105	Spring washer, for nut at fig. 5	1	24	08180723	Inner cable, for rear brake control (LD)	1
5	72070010	Nut, for locking rear brake cable	1		11180723	Inner cable, for rear brake control (D)	1
6	07180730	Gasket, adjuster support	1	25	72060006	Nut, fixing clips	2
7	15059014	Pin, rear brake rod	1	26	73170064	Spring washer, for nuts at fig. 25	2
8	07180731	Pin, rear brake cable	1	27	11180728	Clip, for rear brake cable	1
9	07180727	Support, rear brake cable adjuster	1	28	12030324	Clip, for rear brake cable (for machine with epicyclical starter)	1
10	15059016	Nut, rear brake cable adjuster	1	29	11030305	Clip, for gear change cable	1
11	15059015	Adjuster, rear brake cable	1	30	15059009	Ferrule, for locking rear brake cable	1
12	15022009	Grub, for locking gear change cables	2	31	15059012	Rod, rear brake pedal	2
13	15022011	Disc, for locking gear change cables	2	32	72070010	Nut, for rear brake cable pin	1
14	15022008	Trunnion, for locking gear change cables	2	33	73170105	Spring washer, for nut at fig. 32	1
15	15032022	Nut, for gear change cables adjuster	2	34	83010601	Washer, for pin	1
16	11030308	Adjuster, gear change cables	2	35	74401522	Split pin, for pin	1
	11031021	Cable, upper, gear change with unsheathable inner cable (mm. 1493)	1	36	73260012	Circlip, retaining rear brake pedal	1
	11031026	Cable, lower, gear change with unsheathable inner cable (mm. 1544)	(D) 1	37	87020006	Grease nipple, for rear brake pin	1
	11031041	Cable, upper and lower gear change with sheathable inner cable (mm. 1564)	2		87020008	Grease nipple, for rear brake pin	1
	12031021	Cable, upper, gear change with unsheathable inner cable (mm. 1700)	1	38	11111056	Cable, throttle control (D)	1
17	12031026	Cable, lower, gear change with unsheathable inner cable (mm. 1760)	1		12111056	Cable, throttle control (LD)	1
	12031036	Cable, upper, gear change with sheathable inner cable, for epicyclical starter (mm. 1700)	(LD) 1	39	12061062	Inner cable, for clutch control (mm. 1537)	1
	12031061	Cable, lower, gear change, with sheathable inner cable, for epicyclical starter (mm. 1815)	1	40	85700025	Ferrule, for locking clutch cable	2
	12031146	Cable, lower, gear change, with sheathable inner cable, for electrical starter (mm. 1860)	1		11061056	Cable, for clutch with unsheathable inner cable (mm. 1400) (D)	1
	11031042	Inner cable, for gear change control (mm. 1689) (D)	2	41	11061061	Cable, for clutch, with sheathable inner cable (mm. 1400) (D)	1
18	12031037	Inner cable, for gear change control (mm. 1821) (LD)	2		12061061	Cable, for clutch, with sheathable inner cable (mm. 1435) (LD)	1
	12031062	Inner cable, for gear change control (mm. 1940) (LD)	2	42	99095906	Protection rubber, rear brake pedal	1
19	85700025	Ferrule, for locking gear change cables	2	43	07180731	Pin, for locking rear brake cable	1
20	15022009	Grub, locking clutch cable	1	44	15059014	Pin, for rear brake control rod	1
21	15022011	Disc, locking clutch cable	1	45	15059005	Bush, for rear brake pedal	1
				46	99095904	Return spring, rear brake pedal	1
				47	15059006	Guide washer, pedal return spring	1
				48	07181081	Pedal, rear brake complete with bush at fig. 45	1
				49	83011201	Spacing washer, for rear brake pedal	1



Lambretta

Fig. No.	Part No.	Description	Quantity	Fig. No.	Part No.	Description	Quantity
50	86510110	Clip, union cables	1	60	11770302	Screw, fixing and adjusting front brake cable (for cable with sheathable inner cable)	1
51	99096124	Adjuster, clutch and front brake cable	2	61	15065008	Plate, fixing front brake cable	1
52	99096125	Ring, for adjuster	2	62	73170053	Spring washer, for screw at fig. 63	1
53	72060005	Nut, for screw at fig. 55	1	63	70360512	Screw, locking cable	1
54	11180162	Clip, retaining cables with grease nipple (D)	1	64	11771061	Cable, for front brake, with unsheathable inner cable (mm. 1220) (D)	1
	12180162	Clip, retaining cables with grease nipple (LD)	1		11771066	Cable, front brake, with sheathable inner cable (mm. 1220) (D)	1
55	70910516	Screw, fixing clip	1	12771066	Cable, front brake, with inner cable unsheathable (mm. 1335) (LD)	1	
56	11180142	Clip, retaining cables (D)	1	65	11771067	Inner cable, front brake control (1412 mm.) (D)	1
57	70910508	Screw, fixing clip	1		12771067	Inner cable, front brake control (1527 mm.) (LD)	1
58	86500260	Clip, retaining cables	1	66	85700025	Ferrule, for locking front brake control cable	2
	99096507	Trunnion, front brake adjuster (for cable with unsheathable inner cable)	1				
59	11770801	Trunnion, front brake adjuster (for cable with unsheathable inner cable)	1				

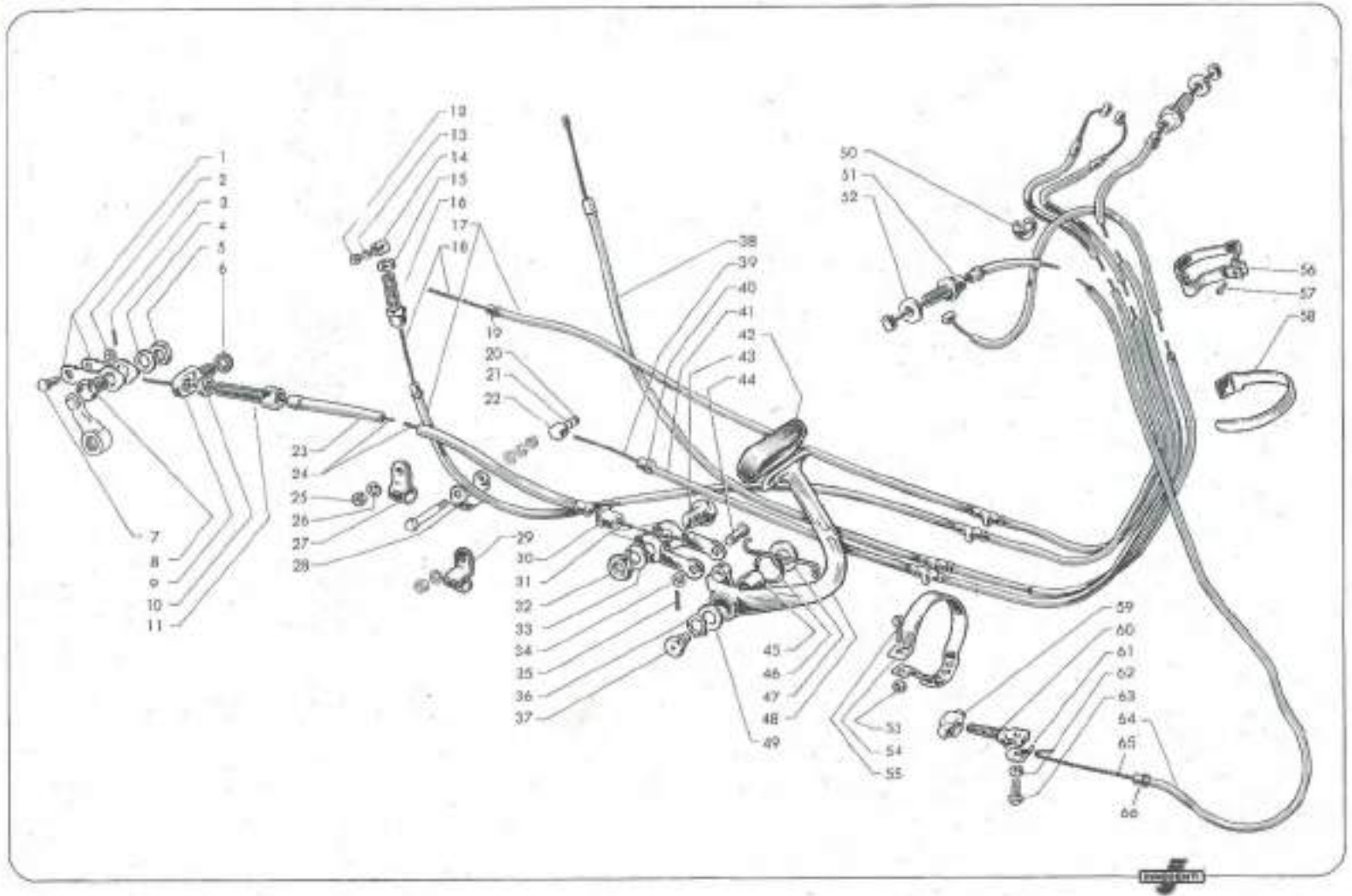
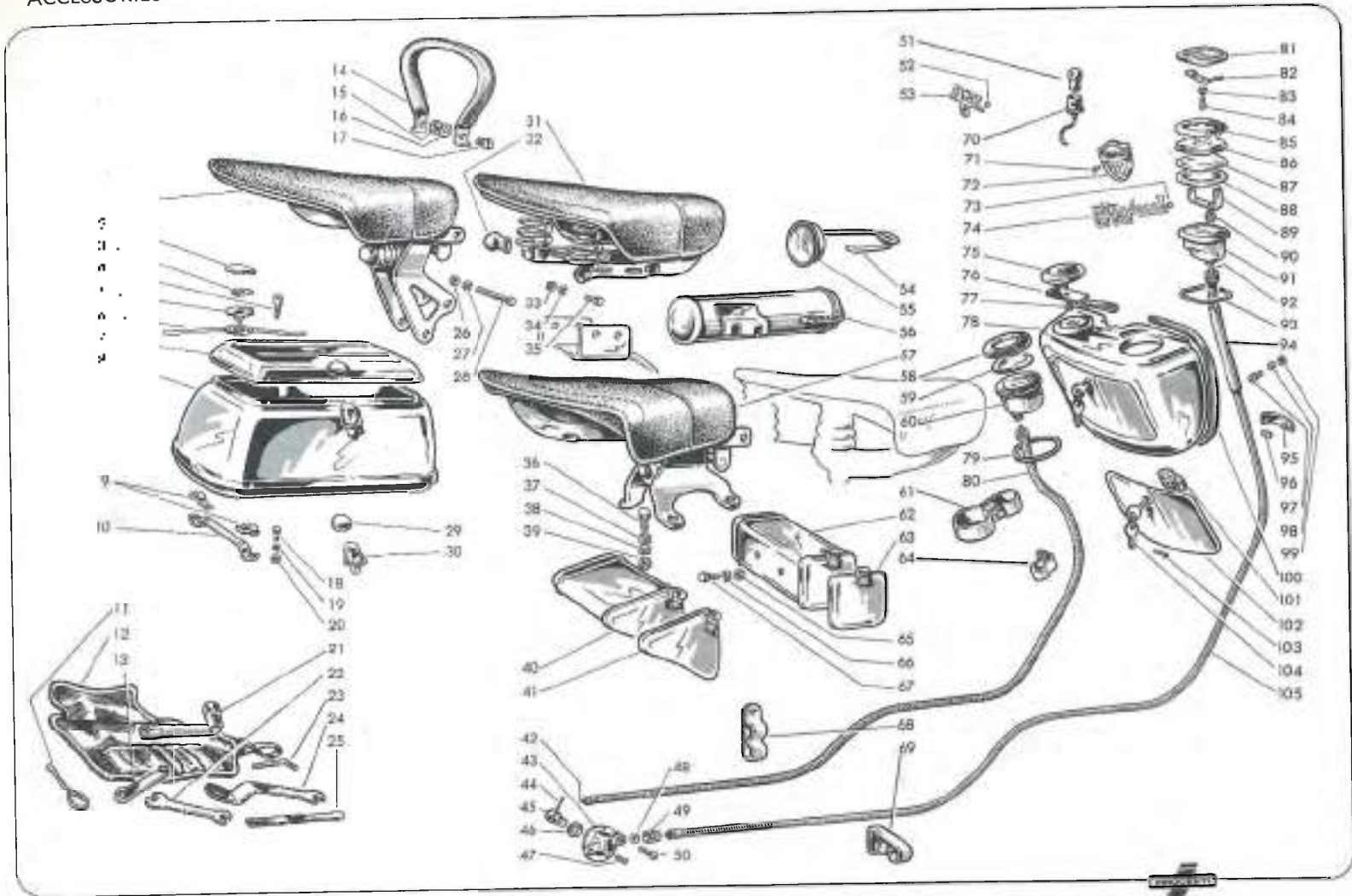
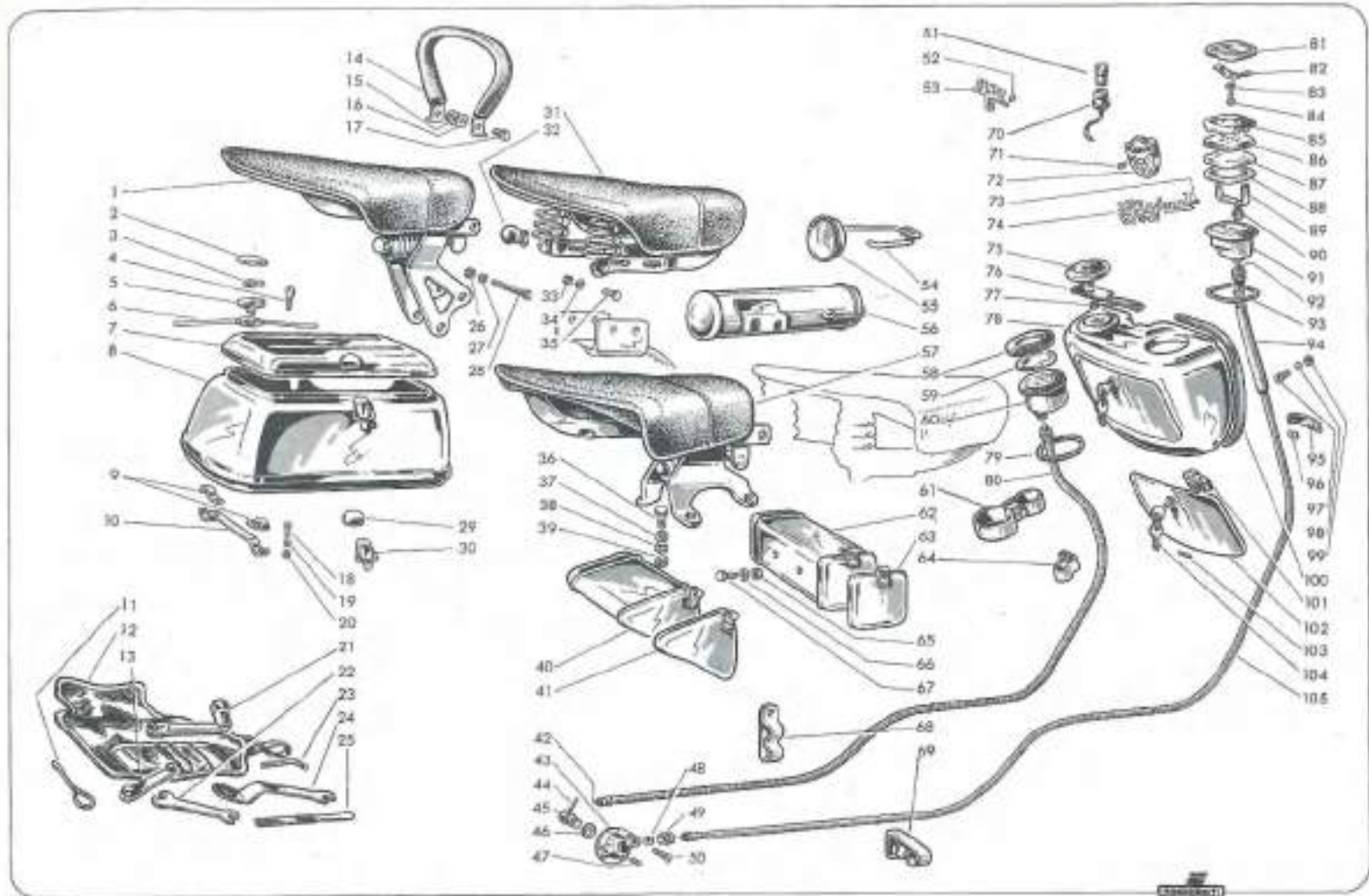


Fig. No.	Part No.	Description	Quantity	Fig. No.	Part No.	Description	Quantity
1	99095560	Saddle, pillion complete with figs. 14 - 15 - 16 - 17 (D)	1	31	{ 12181501 99095550	Saddle rider (LD/150)	1
2	99098622	Cover, for luggage box lock (D)	1	32	12180154	Saddle rider (LD/125 - D/150)	1
3	99098623	Spring, for cover pin (D)	1	33	72040008	Cup, saddle protection	2
4	99098634	Key, for lock (D)	2	34	73170084	Nut, for screws at fig. 35 (D)	4
5	99098670	Lock, complete with figs. 2 - 3 - 4 (D)	1	35	70370820	Spring washer, for nuts at fig. 33 (D)	4
6	99098660	Fastener, for lock (D)	1	36	70370820	Screw, fixing rider saddle (D)	4
7	99098640	Cover, luggage box (D)	1	37	73030084	Screw, fixing pillion saddle (LD)	4
8	99098630	Luggage box (D)	1	38	73170084	Plain washer, for screws at fig. 36 (LD)	4
9	99098626	Clamp, for stirrup (D)	4	39	72040008	Spring washer, for screws at fig. 36 (LD)	4
10	99098625	Stirrup, for fixing luggage box (D)	2	40	08181251	Nut, for screws at fig. 36 (LD)	4
11	15086062	Screwdriver	1	41	08181252	Tool box (for LD without epicyclical starter)	1
12	02010906	Tool bag	1	42	00610021 Tr-021-005 x 1634	Cover, for tool box	1
13	07011296	Spanner, double head 10 - 14 mm. for oil plugs	1	43	00610335 RV-335	Inner cable, for speedometer at fig. 60 (for machine without epicyclical starter)	1
14	99095570	Handgrip, for pillion saddle	1	44	00610408 SN-4-08	Drive box	1
15	72030008	Nut, for screw fixing handgrip	2	45	00613351 RV-335-001	Spring pin, for drive pinion	1
16	73170084	Spring washer, for screw at fig. 15	2	46	00615602 Gn-9-27	Drive pinion	1
17	71360818	Screw, for fixing handgrip	2	47	71420512	Oil seal, for drive pinion	1
18	70360518	Screw, for fixing luggage box (D)	4	48	00612107 Tr-021-007	Screw, for fixing drive box	2
19	73170053	Spring washer, for screws at fig. 18 (D)	4	49	00613304 Tr-033-004	Stop washer, for speedometer cable	1
20	72030005	Nut, for screws at fig. 18	4	50	71450528	Ring, for locking cable to drive box	1
21	11011501	Spanner, for wheel nut and sparking plug	1	51	{ 12010727 15087002	Screw, for fixing drive box	1
22	15086061	Spanner, double ended 8 - 10 mm.	1	52	75700245	Bulb, for speedometer 6 V - 1,5 W	1
23	20280035	Allen key, for clutch and gear cables locking trunnions	1	53	11181046	Bulb, for speedometer 12 V - 2,5 W	1
24	15086059	Spanner, double ended 14-27 mm.	1	54	07180156	Rivet, for fixing name plate (D)	2
25	15086063	File for cleaning contact points	1	55	07180155	Name plate (D)	1
26	72040008	Nut, for screws at fig. 28 (D)	2	56	11181057	Spring, retaining tool box cover (D)	1
27	73170084	Spring washer, for nuts at fig. 26 (D)	2	57	{ 12181276 12181221	Cover, tool box (D)	1
28	70340870	Screw, for fixing pillion saddle (D)	2	58	00610102 Cr 1-02	Tool box, complete (D)	1
29	99098628	Hook, for fastener (D)	2	59	00615019 30-5019	Saddle, pillion complete with figs. 14 - 15 - 16 - 17 (LD/150)	1
30	99098690	Fastener, for locking luggage box (D)	2			Saddle, pillion complete with figs. 14 - 15 - 16 - 17 (LD/125)	1
						Rim, speedometer (D-LD/150)	1
						Glass, speedometer (D-LD/150)	1



Lambretta

Fig. No.	Part No.	Description	Quantity	Fig. No.	Part No.	Description	Quantity		
60	00613002	TA-3902/A	Speedometer (km) (D)	1	81	12010940	Cap, for handlebar cowl	1	
	00613103	TA-3103/C	Speedometer (km) (LD)	1	82	12010937	Plate, for fixing cap	1	
	00614002	TA-4002/A	Speedometer (mi) (D)	1	83	83110003	Spring washer, for screw at fig. 84	1	
	00614101	TA-4101/A	Speedometer (mi) (LD)	1	84	70850307	Screw, for fixing stirrup	1	
61	11011146		Support, for speedometer (D)	1	85	00611002	TA 246-005	Rim, for speedometer	1
62	12181326		Tool box, (for 150/LD with electric starter, without epicyclical starter)	1	86	00611004	TA 246-009	Gasket, upper, for speedometer glass	1
63	12181337		Cover, for tool box at fig. 62	1	87	00611003	TA 246-003	Glass, for speedometer	1
64	00610054	50-054	Band, fixing speedometer cable (D)	1	88	00611010	TA 3050-007	Gasket, lower, for speedometer glass	1
65	72000003		Nut, for screws at fig. 67	4	89	00611008	SF 1/33	Stirrup, for fixing speedometer	LD
66	73170032		Spring washer, for nut at fig. 65	4	90	00611009	25-6021	Nut, for fixing speedometer	epicycl. starter
67	70360307		Screw, for fixing tool box	4	91	00611000	TA 3051/A	Speedometer (km)	1
68	12010711		Band, fixing speedometer and rear brake cables	1			92	00611007	TA 4051/A
69	12010712		Band, fixing speedometer and rear brake cables	1	93	00611005			Tr-021-005 x 1724
70	00611015	PI 055-B	Lampholder, for speedometer	1			94	12010726	Gn-2-14
71	71203505		Screw, for fixing name plate	2	95	12180111		Plastic tube, cable protection	1
72	12181121		Name plate, for legshield (LD/150 without epicyclical starter)	1	96	08180230		Name plate, for horn casting	1
73	75710206		Rivet, for fixing name plate	2			97	70850409	
74	12180164		Name plate, for legshield (LD/150 with epicyclical starter)	1	98	73170043			
	12180186		Name plate, for legshield (LD/125 with epicyclical starter)	1			99	72030004	
75	08011366		Plug, for speedometer housing	1	100	08010924			
76	08010925		Plate, for plug	1	101	08011106		Beading, for glove box	2
77	72000003		Nut, for fixing plug	1	102	08011381		Lock, for glove box lid, complete with fig. 104	1
78	08011371		Glove box, complete, with figs. 101 - 102 - 103 (LD/150 without epicyclical starter)	1			103	08010923	
79	00610106	Gn-1-06	Gasket, between speedometer/glove box	1	104	08010928			
80	00610055	Tr-055 x 1610	Cable, complete, for speedometer at fig. 60	1	105	00611006	Tr-055 x 1700	Key, for glove box lock	2
								Cable, for speedometer at fig. 91	1



Part No.	Page	Fig. No.	Part No.	Page	Fig. No.	Part No.	Page	Fig. No.	Part No.	Page	Fig. No.	Part No.	Page	Fig. No.
00412001	IX	47	00412121	IX	60	00610102	XXI	58	00811354	XVIII	75	00831522	XVIII	13
00412002	IX	45	00412121	IX	103	00610106	XXI	79	00811355	XVIII	73	00831526	XVIII	6
00412004	IX	36	00412122	IX	—	00610335	XXI	43	00811356	XVIII	66	00831549	XVIII	6
00412005	IX	46	00412124	IX	74	00610408	XXI	44	00811359	XVIII	57	00831551	XVIII	37
00412006	IX	81	00412125	IX	77	00611000	XXI	91	00811360	XVIII	59	00831555	XVIII	16
00412017	IX	80	00412126	IX	76	00611001	XXI	91	00811362	XVIII	78	00831557	XVIII	30
00412018	IX	82	00412127	IX	43	00611002	XXI	85	00811363	XVIII	79	00831558	XVIII	29
00412021	IX	44	00412128	IX	40	00611003	XXI	87	00811364	XVIII	85	00831574	XVIII	33
00412026	IX	37	00412130	IX	108	00611004	XXI	86	00811365	XVIII	86	00831579	XVIII	5
00412027	IX	52	00412131	IX	57	00611005	XXI	93	00811366	XVIII	81	00831584	XVIII	37
00412037	IX	42	00412131	IX	107	00611006	XXI	105	00811368	XVIII	82	00831586	XVIII	—
00412038	IX	66	00412132	IX	58	00611007	XXI	92	00811370	XVIII	87	00831587	XVIII	31
00412042	IX	35	00412132	IX	105	00611008	XXI	89	00811371	XVIII	83	00831588	XVIII	18
00412048	IX	41	00412133	IX	39	00611009	XXI	90	00811372	XVIII	84	00831589	XVIII	17
00412049	IX	64	00412134	IX	—	00611010	XXI	88	00811374	XVIII	88	00831590	XVIII	36
00412050	IX	65	00412135	IX	50	00611015	XXI	70	00811380	XVIII	70	00831611	XVIII	32
00412052	IX	73	00412136	IX	80	00611018	XVII	36	00811384	XVIII	54	00850246	XVII	28
00412053	IX	67	00412137	IX	51	00612107	XXI	48	00811390	XVIII	57	00850523	XVII	—
00412054	IX	69	00412138	IX	—	00613002	XXI	60	00811395	XVIII	71	00851177	XVII	3
00412054	IX	92	00412139	IX	77	00613103	XXI	60	00811396	XVIII	57	00851247	XVII	1
00412055	IX	70	00412140	IX	95	00613304	XXI	49	00811400	XVIII	71	00851250	XVII	2
00412056	IX	68	00412141	IX	43	00613351	XXI	45	00811413	XVIII	—	00851259	XVII	14
00412057	IX	71	00412142	IX	84	00614002	XXI	60	00811414	XVIII	80	00851279	XVII	16
00412058	IX	72	00412143	IX	—	00614101	XXI	60	00811426	XVIII	—	00851301	XVII	4
00412059	IX	75	00412144	IX	51	00615019	XXI	59	00811427	XVIII	80	00851306	XVII	52
00412060	IX	78	00412148	IX	91	00615602	XXI	46	00811432	XVIII	60	00851307	XVII	20
00412061	IX	101	00412151	IX	63	00661050	XVII	44	00831410	XVIII	14	00851311	XVII	17
00412062	IX	102	00412180	IX	—	00811284	XVIII	68	00831423	XVIII	8	00851312	XVII	11
00412095	IX	48	00412181	IX	93	00811288	XVIII	74	00831424	XVIII	11	00851315	XVII	8
00412096	IX	38	00412182	IX	94	00811312	XVIII	77	00831426	XVIII	27	00851324	XVII	10
00412097	IX	79	00412184	IX	56	00811313	XVIII	76	00831431	XVIII	15	00851330	XVII	34
00412098	IX	49	00412185	IX	61	00811339	XVIII	69	00831437	XVIII	9	00851332	XVII	45
00412100	IX	80	00412186	IX	62	00811345	XVIII	58	00831460	XVIII	34	00851391	XVII	30
00412115	IX	83	00412187	IX	4	00811345	XVIII	72	00831461	XVIII	12	00851394	XVII	31
00412119	IX	106	00610021	XXI	42	00811346	XVIII	71	00831462	XVIII	28	00851395	XVII	27
00412120	IX	59	00610054	XXI	64	00811352	XVIII	52	00831482	XVIII	10	00851398	XVII	49
00412120	IX	104	00610055	XXI	80	00811353	XVIII	67	00831521	XVIII	26	00851412	XVII	46

Part No.	Page	Fig. No.	Part No.	Page	Fig. No.	Part No.	Page	Fig. No.	Part No.	Page	Fig. No.	Part No.	Page	Fig. No.
00851413	XVII	32	02110111	VI	23	05011041	XV	119	07060123	III	10	07180422	X	14
00851420	XVII	21	02110111	VI	26	05180124	XIII	60	07060124	III	11	07180434	X	15
00851421	XVII	19	02110111	VI	42	05180147	XIX	71	07060125	III	6	07180502	XII	9
00851422	XVII	9	02110111	VII	2	05180147	XIX	108	07060145	III	37	07180503	XII	11
00851424	XVII	33	02110111	VII	5	05180170	XIX	89	07060147	III	34	07180504	XII	13
00851436	XVII	18	02110111	VII	50	05180171	XIX	81	07060155	III	7	07180601	XII	17
00851471	XVII	24	02110114	I	39	05180172	XIX	45	07060156	III	5	07180604	XII	23
00854624	XVII	13	02110115	I	41	05180172	XIX	75	07060159	I	9	07180605	XII	21
00854633	XVII	15	02110116	I	40	05180172	XIX	105	07060163	III	3	07180607	XII	24
00854652	XVII	12	02110311	XVIII	93	05180201	XIX	15	07110150	I	10	07180608	XII	22
02000117	XV	105	02110312	XVIII	94	05180202	XIX	49	07110151	I	12	07180609	XII	26
02000117	XVI	88	02110411	VI	59	05770121	XIII	78	07110152	I	23	07180611	XII	33
02010906	XXI	12	02110411	VII	65	05770125	XIX	84	07110339	II	29	07180612	XII	38
02030209	III	32	02110420	VI	35	06010358	XV	62	07110340	II	28	07180613	XII	36
02030210	III	31	02110420	VII	41	06011068	XV	85	07110403	VI	1	07180615	XII	16
02060102	III	24	02110429	VI	37	06030110	IV	32	07110404	VI	49	07180616	XII	18
02060103	III	23	02110429	VI	56	06110124	I	27	07110405	VI	1	07180619	XII	35
02060106	III	20	02110431	VI	58	06110124	I	83	07110407	VI	28	07180727	XX	9
02060115	VI	57	02110431	VII	64	06110422	VI	47	07110407	VII	55	07180730	XX	6
02060115	VII	63	02110435	VI	30	06110422	VII	19	07110412	VI	63	07180731	XX	8
02060120	III	14	02160111	XIV	17	06160139	XIV	20	07110412	VII	20	07180731	XX	43
02060122	III	8	02160112	XIV	4	06170108	IX	32	07110413	VI	32	07181081	XX	48
02060129	III	1	02160137	XIV	5	06180141	XIX	114	07110413	VII	8	07181086	XII	34
02060153	III	36	02160137	XIV	21	06770311	XIII	71	07110417	VI	31	07181111	X	13
02060157	III	39	02170105	IX	11	06770320	XIII	52	07110417	VII	47	07181121	XIX	115
02110108	XVIII	92	03060132	III	30	07010146	XV	91	07110418	VI	53	07181141	X	29
02110110	I	13	03060150	III	25	07010146	XVI	89	07110421	VI	2	07330000	V	8
02110110	I	38	03160801	XIV	22	07010603	XV	16	07110438	VI	36	07330103	I	56
02110110	I	78	03160801	XIV	33	07011066	XV	69	07111016	I	81	07330105	I	52
02110110	VI	22	03160808	XIV	11	07011067	XV	26	07111031	VI	62	07330107	I	80
02110110	VI	25	03160808	XIV	23	07011221	XV	15	07161066	XIV	32	07330108	I	53
02110110	VI	41	03161056	XIV	14	07011266	XV	95	07180150	XIX	107	07330109	I	54
02110110	VII	1	03161056	XIV	24	07011296	XXI	13	07180152	XIX	102	07330110	I	47
02110110	VII	4	03180109	XIX	85	07011337	XV	96	07180155	XXI	55	07330202	V	21
02110110	VII	49	05010113	XV	131	07011337	XVI	112	07180156	XXI	54	07330204	V	11
02110111	I	14	05010131	XV	132	07030103	IV	28	07180160	XII	1	07330207	IV	58
02110111	I	37	05010131	XVI	127	07060121	I	16	07180405	X	1	07330207	V	9
02110111	I	77												

Part No.	Page	Fig. No.	Part No.	Page	Fig. No.	Part No.	Page	Fig. No.	Part No.	Page	Fig. No.	Part No.	Page	Fig. No.
07330207	V	12	08010302	XV	110	08181241	XIX	22	11030106	IV	33	11061011	III	2
07330207	VI	6	08010302	XVI	44	08181246	XIX	54	11030108	IV	23	11061046	III	13
07330207	VI	12	08010302	XVI	115	08181251	XXI	40	11030115	IV	37	11061056	XX	41
07330212	V	23	08010441	XVII	37	08181252	XXI	41	11030123	IV	35	11061061	XX	41
07330212	VI	10	08010442	XVII	39	08181286	XIX	82	11030124	IV	29	11110000	II	30
07330213	V	10	08010443	XVII	38	08330001	V	8	11030204	IV	4	11110001	II	30
07330214	V	22	08010529	XV	127	08770229	XIII	61	11030208	IV	12	11110002	II	30
07330214	V	24	08010529	XVI	49	08771046	XIX	86	11030210	IV	13	11110004	II	30
07330214	VI	9	08010529	XVI	120	11010466	XV	1	11030211	IV	16	11110005	II	31
07330214	VI	11	08010534	I	63	11010466	XVI	1	11030212	IV	14	11110103	I	6
07330306	V	5	08010603	XV	72	11010511	XVIII	1	11030213	IV	18	11110104	I	1
07330313	V	20	08010603	XVI	61	11010511	XVIII	53	11030214	IV	17	11110106	I	7
07330323	I	62	08010604	XV	74	11010515	XVIII	22	11030215	IV	11	11110112	XVIII	40
07330324	V	6	08010604	XVI	57	11010515	XVIII	44	11030302	IV	6	11110112	XVIII	47
07330330	XIV	51	08010605	XVI	20	11010552	XV	66	11030303	IV	7	11110113	XVIII	35
07330331	XIV	50	08010913	XIX	63	11010558	XV	41	11030304	IV	3	11110113	XVIII	48
07330332	XIV	55	08010923	XXI	103	11010558	XVI	14	11030305	XX	29	11110121	I	28
07330333	XIV	52	08010924	XXI	100	11010608	XV	18	11030307	IV	19	11110126	I	83
07330337	I	58	08010925	XXI	76	11010609	XV	45	11030308	XX	16	11110127	I	81
07330345	XIV	39	08010928	XXI	104	11010610	XV	42	11030315	IV	7	11110131	XVIII	89
07330346	XIV	38	08011106	XXI	101	11010611	XV	14	11031011	IV	27	11110139	III	9
07330347	XIV	49	08011366	XXI	75	11011071	XV	—	11031021	XX	17	11110140	II	8
07331016	I	61	08011371	XXI	78	11011146	XXI	61	11031026	XX	17	11110141	I	7
07770215	XIII	59	08011381	XXI	102	11011177	XV	3	11031041	XX	17	11110142	II	13
07770216	XIII	57	08011406	XV	130	11011177	XV	49	11031042	XX	18	11110201	I	5
07770223	XIII	67	08060126	III	40	11011177	XVI	6	11031046	IV	25	11110202	I	3
07770226	XIII	66	08171061	IX	22	11011186	XV	60	11031051	IV	34	11110203	I	4
07770227	XIII	40	08180140	XIX	59	11011231	XVIII	21	11031056	IV	36	11110205	IX	97
07770229	XIII	61	08180142	XIX	44	11011231	XVIII	43	11031086	IV	22	11110207	IX	96
07770322	XIII	51	08180144	XIX	58	11011366	XV	102	11031091	IV	31	11110220	I	5
07770403	XIII	53	08180145	XIX	60	11011366	XVI	65	11031111	IV	34	11110221	I	3
07770422	XIII	32	08180175	XIX	56	11011451	XV	11	11031131	IV	22	11110222	I	4
07771046	XIII	3	08180222	XIX	42	11011456	XV	—	11060166	III	29	11110223	IX	97
07771121	XIII	1	08180230	XXI	96	11011461	XV	—	11060167	III	12	11110225	IX	96
08010142	XV	80	08180510	XII	8	11011481	XVI	92	11060169	III	19	11110307	II	19
08010142	XIX	64	08180723	XX	24	11011491	XV	60	11060170	III	15	11110309	II	14
08010144	XV	118	08181046	XIX	53	11011501	XXI	21	11060305	III	38	11110310	II	17

Part No.	Page	Fig. No.	Part No.	Page	Fig. No.	Part No.	Page	Fig. No.	Part No.	Page	Fig. No.	Part No.	Page	Fig. No.
11110316	II	23	11110442	VI	4	11111184	VI	54	11180302	XIX	95	11771066	XX	64
11110318	II	27	11110443	VI	5	11111187	VI	15	11180400	X	24	11771067	XX	65
11110323	II	3	11110445	VI	7	11111189	VI	15	11180439	X	17	11771131	XIII	27
11110324	II	2	11110446	VI	13	11111191	II	33	11180442	X	33	11771136	XIII	35
11110326	II	15	11110449	VI	34	11111216	VII	18	11180444	I	20	12010152	XV	148
11110326	II	26	11110450	VI	33	11111221	VII	29	11180449	X	4	12010152	XVI	133
11110332	II	3	11110450	VII	52	11111231	II	5	11180458	X	7	12010153	XV	147
11110333	II	3	11110472	VII	30	11111236	II	5	11180469	X	9	12010153	XVI	134
11110334	II	2	11110473	VII	9	11111241	II	5	11180501	XII	5	12010154	XV	68
11110335	II	2	11110477	VII	10	11111246	VII	17	11180723	XX	24	12010154	XVI	20
11110336	II	2	11110478	VII	31	11111251	VII	17	11180728	XX	27	12010160	XVI	109
11110342	II	35	11110478	VIII	18	11111256	VII	3	11181021	XIX	96	12010163	XVI	128
11110346	II	3	11110479	VII	12	11111256	VII	48	11181046	XXI	53	12010165	XVI	90
11110347	II	3	11110480	VII	11	11111261	VII	61	11181057	XXI	56	12010303	XIII	63
11110348	II	3	11110481	VII	16	11111271	VII	56	11181146	X	16	12010304	XV	150
11110351	II	11	11110484	VII	57	11111276	VII	17	11181151	XII	28	12010304	XVI	45
11110351	II	16	11110485	I	29	11111281	VII	56	11181152	XII	39	12010304	XVI	132
11110351	II	21	11110486	I	31	11111306	II	6	11181161	X	26	12010421	XV	111
11110354	II	32	11110487	VII	51	11111326	II	6	11181166	X	31	12010446	XV	115
11110362	II	7	11110492	VII	53	11111327	II	6	11181196	XII	10	12010446	XVI	99
11110363	II	7	11110494	VII	43	11111328	II	6	11181206	X	5	12010451	XV	149
11110364	II	7	11110497	VII	59	11111356	II	34	11181256	XX	23	12010451	XVI	137
11110408	VI	43	11110498	VII	58	11111361	XI	16	11184001	X	6	12010459	XV	59
11110408	VII	7	11110502	XI	8	11111366	XI	5	11330111	I	35	12010459	XVI	33
11110409	VI	18	11110506	XI	13	11160121	XIV	31	11330206	IV	20	12010463	XV	123
11110409	VII	25	11110514	XI	12	11161016	XIV	42	11331016	I	61	12010463	XVI	106
11110415	VI	61	11111012	I	8	11161044	XIV	25	11331017	I	34	12010464	XV	31
11110415	VII	14	11111014	I	8	11161045	XIV	18	11770225	XIII	65	12010465	XV	36
11110419	VI	52	11111021	II	5	11161071	XIV	32	11770230	XIII	44	12010465	XVI	76
11110419	VII	39	11111022	II	5	11170204	IX	17	11770301	XIII	70	12010468	XV	57
11110423	VI	50	11111023	II	5	11170204	IX	26	11770303	XIII	73	12010468	XVI	16
11110423	VII	40	11111024	II	5	11171001	IX	30	11770402	XIII	26	12010469	XV	52
11110423	VII	62	11111026	II	5	11180130	XIX	101	11770419	XIII	25	12010469	XVI	36
11110437	VI	16	11111056	XX	38	11180142	XX	56	11770801	XX	59	12010472	XV	78
11110437	VII	21	11111061	VI	51	11180151	XII	19	11770802	XX	60	12010472	XVI	15
11110439	VI	21	11111116	XI	4	11180162	XX	54	11771011	XIII	72	12010474	XVI	71
11110441	VI	3	11111183	VI	54	11180167	XII	27	11771061	XX	64	12010507	XVIII	61

Part No.	Page	Fig. No.	Part No.	Page	Fig. No.	Part No.	Page	Fig. No.	Part No.	Page	Fig. No.	Part No.	Page	Fig. No.
12010525	XVI	101	12011541	XVI	77	12011801	XVI	64	12110421	VIII	56	12111491	VIII	52
12010526	XVI	51	12011546	XV	79	12011821	XVI	—	12110422	VIII	57	12111496	VIII	—
12010580	XV	112	12011546	XVI	34	12011826	XVI	18	12110423	VIII	55	12111501	VIII	2
12010586	XV	137	12011556	XV	135	12011831	XVI	19	12110425	VIII	44	12160141	XIV	20
12010586	XVI	103	12011556	XVI	104	12011836	XVI	113	12110426	VIII	40	12160142	XIV	4
12010594	XV	116	12011566	XV	144	12011841	XVI	113	12110428	VIII	49	12160143	XIV	40
12010594	XVI	102	12011566	XVI	95	12011861	XVI	50	12110429	VIII	12	12170105	IX	8
12010594	XVI	117	12011571	XV	142	12011866	XVII	40	12110430	VIII	11	12170108	IX	14
12010595	XV	87	12011576	XV	126	12011961	XVI	—	12110431	VIII	29	12170109	IX	9
12010595	XVI	118	12011576	XVI	122	12012046	XVI	113	12110432	VIII	50	12170112	IX	10
12010596	XV	86	12011591	XVI	79	12030307	IV	19	12110434	I	19	12171021	IX	15
12010606	XV	73	12011601	XV	88	12030315	IV	7	12110436	VIII	1	12171026	IX	1
12010608	XVI	43	12011601	XVI	66	12030324	XX	28	12110438	VI	16	12171056	IX	6
12010609	XVI	37	12011621	XV	146	12031021	XX	17	12110438	VII	21	12171066	IX	16
12010610	XVI	21	12011626	XV	141	12031026	XX	17	12110439	VIII	5	12180111	XXI	95
12010611	XVI	17	12011626	XVI	119	12031036	XX	17	12110440	VIII	6	12180137	XIX	67
12010711	XXI	68	12011636	XV	134	12031037	XX	18	12110441	VIII	14	12180154	XXI	32
12010712	XXI	69	12011636	XVI	116	12031061	XX	17	12110442	VIII	4	12180162	XX	54
12010726	XXI	94	12011641	XV	101	12031062	XX	18	12110445	VIII	8	12180164	XXI	74
12010727	XXI	51	12011641	XVI	63	12031146	XX	17	12110447	VIII	48	12180177	XII	3
12010937	XXI	82	12011646	XIII	74	12060173	III	17	12110448	VIII	30	12180184	XVI	138
12010940	XXI	81	12011651	XV	—	12061061	XX	41	12110449	VIII	42	12180186	XXI	74
12011081	XVIII	5	12011656	XV	—	12061062	XX	39	12110456	VIII	1	12180190	XIX	74
12011201	XV	20	12011676	XVI	91	12090367	XIX	50	12110708	IX	86	12180191	XIX	77
12011201	XVI	10	12011701	XVI	—	12090368	XIX	16	12110716	IX	53	12180195	XIX	52
12011396	XVII	40	12011706	XVI	114	12090384	XVI	—	12111012	I	8	12180223	XIX	31
12011491	XVII	23	12011716	XVI	87	12110102	I	82	12111056	XX	38	12180224	XIX	30
12011496	XV	97	12011721	XVI	—	12110402	VIII	54	12111091	VI	18	12180225	XIX	33
12011496	XVI	27	12011726	XVI	87	12110403	VIII	58	12111091	VII	25	12180226	XIX	32
12011501	XV	30	12011731	XVI	46	12110404	VIII	31	12111126	IX	90	12180228	XIX	27
12011501	XVI	70	12011741	XVII	23	12110404	VIII	51	12111161	IX	85	12180247	XIX	18
12011521	XV	58	12011771	XVI	54	12110406	VIII	13	12111391	VIII	41	12180248	XIX	28
12011521	XVI	35	12011786	XVI	98	12110408	VIII	35	12111431	IX	27	12180264	XIX	34
12011526	XV	29	12011791	XVI	136	12110417	VIII	37	12111431	IX	54	12180266	XV	51
12011526	XVI	67	12011796	XV	89	12110418	VIII	38	12111471	VIII	59	12180269	XIX	17
12011531	XV	114	12011796	XVI	78	12110419	VIII	17	12111476	VIII	33	12180271	XIX	39
12011541	XV	38	12011801	XV	100	12110420	VIII	39	12111486	VIII	52	12180400	X	24

Part No.	Page	Fig. No.	Part No.	Page	Fig. No.	Part No.	Page	Fig. No.	Part No.	Page	Fig. No.	Part No.	Page	Fig. No.
12180439	X	17	12770405	XIII	25	15031007	XVII	42	15071002	IX	5	19081032	XV	1
12180486	X	21	12770423	XIII	30	15031013	IV	1	15080002	XVI	129	19081032	XVI	1
12180506	XII	5	12771026	XIII	77	15032022	XX	15	15080003	XV	105	19081170	XV	4
12181061	XII	14	12771036	XIII	62	15041024	VIII	32	15080003	XVI	88	19081170	XVI	13
12181081	XIX	1	12771066	XX	64	15044005	XIV	7	15080004	XV	68	19083005	XVI	22
12181121	XXI	72	12771067	XX	65	15044005	XIV	19	15080004	XV	91	20280035	XXI	23
12181191	X	26	12771144	XIII	—	15044011	XIV	5	15080004	XVI	20	40010168	XV	92
12181221	XXI	57	12771146	XIII	39	15044011	XIV	21	15080004	XVI	89	40010168	XVI	93
12181276	XXI	57	14010013	I	18	15044014	XIV	2	15080008	XV	92	40011811	XV	70
12181321	XIX	38	14010014	I	17	15044014	XIV	45	15080008	XVI	93	40060105	III	21
12181326	XXI	62	14010014	XVIII	39	15044070	XIV	1	15081029	XV	6	40060166	III	29
12181331	XIX	41	14010014	XVIII	46	15044070	XIV	46	15081029	XV	46	40060305	III	38
12181336	XIX	21	14010213	V	4	15045005	V	13	15081029	XVI	3	40770228	XIII	79
12181337	XXI	63	14010213	V	19	15055042	XIX	10	15081029	XVI	32	70060838	I	30
12181356	XII	2	14010701	XVIII	64	15055043	XIX	11	15081031	XV	7	70300414	XVIII	4
12181366	XIX	26	14060211	XIII	31	15055044	XIX	7	15081031	XV	48	70300520	XIX	83
12181371	XIX	25	14070101	IX	3	15055045	XIX	9	15081031	XV	48	70300525	X	25
12181376	XII	2	14070101	IX	21	15055046	XIX	13	15081031	XVI	5	70300540	XII	4
12181386	XIX	82	14070102	IX	2	15055047	XIX	8	15081031	XVI	31	70300550	XV	136
12181421	XIX	51	14070102	IX	20	15055048	XIX	14	15081037	XIII	75	70300550	XVI	121
12181426	XIX	23	14080102	XV	2	15055056	XIX	24	15081037	XV	143	70300620	XIX	78
12181431	X	19	14080102	XV	84	15056028	X	8	15081037	XVI	94	70300622	IX	34
12181436	XX	23	14080102	XVI	2	15059005	XX	45	15081250	XV	63	70300630	VIII	43
12181461	XIX	38	15010020	I	11	15059006	XX	47	15081250	XVI	25	70300635	VI	17
12181501	XXI	31	15010090	I	45	15059009	XX	30	15086015	XIX	29	70300635	VII	24
12184003	X	18	15012008	II	32	15059012	XX	1	15086059	XXI	24	70300640	VII	35
12330205	V	11	15012015	III	4	15059012	XX	31	15086061	XXI	22	70300648	VII	22
12330311	V	18	15014009	XI	14	15059014	XX	7	15086062	XXI	11	70300838	VIII	3
12770221	XIII	69	15014010	XI	17	15059014	XX	44	15086063	XXI	25	70330560	IX	25
12770224	XIII	43	15017012	XVIII	63	15059015	XX	11	15087002	XXI	51	70330855	VIII	34
12770231	XIX	47	15017070	XVIII	62	15059016	XX	10	15088005	XIII	75	70330860	VIII	19
12770232	XIX	48	15022008	XX	14	15060020	XIII	80	19030033	V	9	70340870	XXI	28
12770233	XIII	61	15022008	XX	22	15060028	XIII	81	19030044	XIII	17	70360307	XV	37
12770237	XIII	34	15022009	XX	12	15060039	XIX	111	19044004	XIV	16	70360307	XVI	83
12770238	XIII	45	15022009	XX	20	15061018	XIII	68	19045060	V	15	70360307	XXI	67
12770239	XIII	56	15022011	XX	13	15061060	XIII	58	19050096	XIX	68	70360410	XVIII	56
12770404	XIII	25	15022011	XX	21	15065008	XX	61	19050098	XIX	57	70360414	I	49

Part No.	Page	Fig. No.	Part No.	Page	Fig. No.	Part No.	Page	Fig. No.	Part No.	Page	Fig. No.	Part No.	Page	Fig. No.
70360510	XV	32	70910412	XV	133	71300610	XVII	22	72000008	I	42	72030006	VII	27
70360510	XVI	69	70910420	IX	28	71360512	XV	10	72000008	XIII	48	72030006	VIII	24
70360512	III	26	70910420	IX	55	71360512	XV	23	72000008	XIV	10	72030006	XV	64
70360512	XX	63	70910508	XIX	6	71360512	XVI	9	72030004	VII	66	72030006	XV	124
70360514	II	25	70910508	XIX	112	71360818	XXI	17	72030004	XV	121	72030006	XVI	23
70360516	VI	46	70910508	XX	57	71420409	XIX	65	72030004	XVI	96	72030006	XVI	126
70360516	VII	38	70910509	XI	15	71420412	I	49	72030004	XVIII	2	72030008	I	71
70360516	XV	94	70910510	XIX	4	71420412	IV	5	72030004	XIX	46	72030008	VIII	10
70360518	XIX	92	70910512	XI	18	71420416	XIX	72	72030004	XIX	69	72030008	VIII	62
70360518	XXI	18	70910512	XVI	42	71420418	XIX	55	72080004	XIX	76	72030008	XII	31
70360614	XIII	4	70910512	XIX	61	71420418	XIX	104	72030004	XIX	106	72030008	XIV	47
70360614	XIX	110	70910512	XIX	97	71420512	I	55	72030004	XXI	99	72030008	XIX	40
70360618	IX	98	70910514	XIX	91	71420512	XXI	47	72030005	IV	9	72030008	XXI	15
70370820	XXI	35	70910516	XX	55	71430409	XI	11	72030005	IX	23	72040008	XXI	26
70370820	XXI	36	70920407	XI	2	71450425	XIX	43	72030005	X	22	72040008	XXI	33
70450508	XVI	52	70940422	XV	113	71450425	XIX	70	72030005	XI	7	72040008	XXI	39
70490515	X	20	70940422	XVI	100	71450425	XIX	103	72030005	XII	6	72060004	XVII	41
70610814	X	23	71020525	XV	17	71450428	XIX	73	72030005	XV	8	72060004	XVII	43
70850307	XXI	84	71020528	XV	50	71450528	XIII	37	72030005	XV	25	72060004	XVII	54
70850406	XV	12	71020528	XVI	41	71450528	XXI	50	72030005	XV	43	72060005	III	35
70850406	XV	22	71020530	XV	19	71450630	XIII	33	72030005	XV	75	72060005	XVII	51
70850406	XVI	7	71060618	VI	27	71480512	XIX	90	72030005	XV	99	72060005	XX	53
70850409	XVII	48	71060618	VII	6	71480614	IV	2	72030005	XV	140	72060006	I	74
70850409	XXI	97	71060620	I	36	71500312	XIII	64	72030005	XVI	12	72060006	VI	38
70850518	XVIII	25	71060620	XVII	6	72000003	XII	15	72030005	XVI	29	72060006	VII	34
70850518	XVIII	51	71060625	I	15	72000003	XV	40	72030005	XVI	40	72060006	VII	44
70850616	XV	138	71060630	VI	24	72000003	XV	56	72030005	XVI	56	72060006	IX	31
70850616	XVI	124	71060665	XVII	26	72000003	XVI	82	72030005	XVI	60	72060006	XIII	36
70880430	XV	5	71200312	XV	108	72000003	XVI	85	72030005	XVI	75	72060006	XIV	47
70880430	XV	47	71200312	XVI	48	72000003	XXI	65	72030005	XVI	108	72060006	XX	25
70880430	XVI	4	71200312	XVI	130	72000003	XXI	77	72030005	XIX	2	72060008	X	2
70880430	XVI	30	71200410	XIII	54	72000004	XV	54	72030005	XIX	87	72060008	X	30
70910310	XV	35	71200410	XVIII	20	72000004	XVI	73	72030005	XIX	94	72070010	IX	89
70910310	XVI	80	71200410	XVIII	42	72000005	X	28	72030005	XXI	20	72070010	XX	5
70910312	XV	122	71200514	XIII	47	72000005	XV	34	72030006	I	22	72070010	XX	32
70910312	XVI	105	71203505	XXI	71	72000005	XVIII	65	72030006	I	66	72070012	XIV	3
70910316	XVI	86	71220525	XI	10	72000005	XIX	37	72030006	VI	20	72070012	XIV	43

Part No.	Page	Fig. No.	Part No.	Page	Fig. No.	Part No.	Page	Fig. No.	Part No.	Page	Fig. No.	Part No.	Page	Fig. No.
72070018	I	24	73030084	IX	13	73170053	XI	19	73170064	VI	19	73170105	XX	4
72090004	XIX	20	73030084	XII	29	73170053	XIII	10	73170064	VI	39	73170105	XX	33
72090006	VI	60	73030084	XXI	37	73170053	XIII	46	73170064	VII	23	73179953	V	14
72090006	VII	15	73030105	IX	87	73170053	XV	9	73170064	VII	26	73230901	IV	24
73010043	XVII	35	73120084	X	3	73170053	XV	24	73170064	VII	33	73231112	III	9
73010043	XIX	19	73150084	XIII	42	73170053	XV	33	73170064	VII	45	73234217	VI	14
73010053	VI	44	73150084	XIII	50	73170053	XV	44	73170064	VIII	23	73250014	II	4
73010053	VII	36	73170032	XV	39	73170053	XV	76	73170064	IX	99	73250014	II	4
73010053	XV	77	73170032	XV	55	73170053	XV	93	73170064	XIII	5	73250018	III	16
73010053	XVI	38	73170032	XV	109	73170053	XV	98	73170064	XV	65	73250032	XIV	6
73010053	XVI	58	73170032	XVI	47	73170053	XV	139	73170064	XV	125	73250040	I	76
73010064	I	64	73170032	XVI	81	73170053	XVI	11	73170064	XVI	24	73250047	II	10
73010064	VII	32	73170032	XVI	84	73170053	XVI	28	73170064	XVI	125	73250047	II	12
73010064	IX	33	73170032	XVI	131	73170053	XVI	39	73170064	XVII	7	73250047	II	18
73010064	XIV	48	73170032	XXI	66	73170053	XVI	53	73170064	XVII	25	73250047	II	22
73010064	XIX	80	73170043	I	50	73170053	XVI	55	73170064	XVIII	91	73260011	XIV	41
73010074	I	2	73170043	XV	13	73170053	XVI	59	73170064	XIX	35	73260011	XIV	54
73020053	XIII	12	73170043	XV	21	73170053	XVI	74	73170064	XIX	79	73260012	I	37
73020074	XIII	19	73170043	XV	53	73170053	XVI	107	73170064	XIX	109	73260012	IV	8
73030043	I	51	73170043	XV	120	73170053	XVII	29	73170064	XX	26	73260012	XII	12
73030053	XV	82	73170043	XVI	8	73170053	XVII	50	73170084	I	43	73260012	XX	36
73030053	XVIII	23	73170043	XVI	72	73170053	XVIII	7	73170084	I	59	73260015	VI	48
73030053	XVIII	49	73170043	XVI	97	73170053	XVIII	24	73170084	I	70	73260015	VII	60
73030053	XIX	99	73170043	XVII	47	73170053	XVIII	50	73170084	VIII	9	73260017	VII	13
73030064	VI	40	73170043	XVII	53	73170053	XIX	3	73170084	VIII	15	73260020	V	25
73030064	VII	28	73170043	XVIII	3	73170053	XIX	5	73170084	VIII	20	73260020	VI	8
73030064	VII	46	73170043	XVIII	55	73170053	XIX	36	73170084	VIII	61	73260020	XII	25
73030064	VIII	22	73170043	XXI	98	73170053	XIX	62	73170084	X	32	73260020	XII	37
73030064	VIII	47	73170053	II	24	73170053	XIX	88	73170084	XII	30	73260022	VI	29
73030064	IX	100	73170053	III	27	73170053	XIX	93	73170084	XIII	41	73260022	VII	54
73030064	XVIII	90	73170053	IV	10	73170053	XIX	98	73170084	XIII	49	73260023	III	33
73030084	I	44	73170053	VI	45	73170053	XIX	113	73170084	XIV	9	73260024	VIII	7
73030084	I	60	73170053	VII	37	73170053	XX	62	73170084	XXI	16	73260024	VIII	28
73030084	I	69	73170053	IX	24	73170053	XXI	19	73170084	XXI	27	73260026	VIII	36
73030084	VIII	16	73170053	X	27	73170064	I	21	73170084	XXI	34	73260030	IV	30
73030084	VIII	21	73170053	XI	6	73170064	I	65	73170084	XXI	38	74400530	V	7
73030084	VIII	60	73170053	XI	9	73170064	I	73	73170105	IX	88	74400330	VIII	26

Part No.	Page	Fig. No.	Part No.	Page	Fig. No.	Part No.	Page	Fig. No.	Part No.	Page	Fig. No.	Part No.	Page	Fig. No.
74400330	XII	12	85801602	I	26	87200008	XVI	68	99095570	XXI	14	99098630	XXI	8
74400330	XVII	5	85801602	I	47	99091208	II	1	99095626	X	11	99098634	XXI	4
74400330	XIX	12	85802401	I	33	99091221	VI	55	99095627	X	10	99098640	XXI	7
74401522	IV	15	85802801	I	33	99091221	VII	42	99095628	X	12	99098660	XXI	6
74401522	III	28	85802801	I	84	99091239	II	1	99095904	XX	46	99098670	XXI	5
74401522	VIII	46	86011622	I	25	99091241	II	1	99095906	XX	42	99098690	XXI	30
74401522	XX	3	86011622	I	46	99091242	II	1	99096108	XIII	78	99104429	XIV	31
74401522	XX	35	86011622	I	48	99092008	III	22	99096124	XX	51	99106040	XIII	9
74850465	V	17	86012432	I	32	99094308	I	75	99096125	XX	52	99106050	XIX	116
75700245	XVI	139	86012836	I	32	99094309	I	72	99096207	XIII	28	99106051	XIII	2
75700245	XXI	52	86012836	I	85	99094311	I	79	99096208	XIII	29	99106052	XIII	14
75710206	XXI	73	86500180	XV	103	99094336	V	3	99096507	XX	59	99106053	XIII	7
75710210	VIII	45	86500180	XVI	62	99094345	V	1	99097007	IX	19	99106054	XIII	15
75710307	XV	71	86500260	XV	104	99094348	V	2	99097008	IX	29	99106056	XIII	18
78920532	III	18	86500260	XVI	123	99094356	I	68	99097012	IX	7	99106057	XIII	21
83010601	XX	2	86500260	XX	58	99094356	VIII	53	99097040	IX	18	99106058	XIII	20
83010601	XX	34	86510110	XV	90	99094416	XIV	44	99098002	XV	129	99106061	XIII	22
83011201	IV	26	86510110	XX	50	99094418	XIV	27	99098011	XV	117	99106062	XIII	13
83011201	VIII	27	87020006	XIV	15	99094419	XIV	29	99098104	XV	61	99106064	XIII	8
83011201	XX	49	87020006	XIV	53	99094424	XIV	28	99098104	XV	145	99106065	XIII	23
83100004	XI	3	87020006	XX	37	99094425	XIV	12	99098104	XVI	135	99106066	XIII	24
83100005	XII	7	87020008	VIII	25	99094426	XIV	13	99098120	XV	83	99106067	XIII	16
83100006	XIX	66	87020008	XII	20	99094431	XIV	26	99098221	XVIII	19	99106068	XIII	11
83100016	V	16	87020008	XII	32	99094431	XIV	36	99098221	XVIII	41	99108010	XV	81
83110003	XXI	83	87020008	XIII	6	99094450	XIV	30	99098304	XV	27	99108016	XV	129
83110008	XIV	48	87020008	XIV	15	99094460	XIV	42	99098404	IX	12	99108031	XV	107
83120004	XIII	55	87020008	XX	37	99094506	XIV	35	99098404	XIV	8	99108031	XVI	110
83130005	XIII	38	87030008	XVIII	38	99094507	XIV	37	99098622	XXI	2	99108032	XV	106
85003158	IV	21	87030008	XVIII	45	99094530	XIV	34	99098623	XXI	3	99108032	XVI	111
85700025	XX	19	87200005	XV	67	99095062	XIX	100	99098625	XXI	10	99108033	XV	128
85700025	XX	40	87200005	XVI	26	99095550	XXI	31	99098626	XXI	9	99108810	XIII	74
85700025	XX	66	87200008	XV	28	99095560	XXI	1	99098628	XXI	29	99108811	XIII	76

INNOCENTI

SOC. GENERALE PER L'INDUSTRIA METALLURGICA E MECCANICA

MILANO

NEW YORK

PARIGI

ROMA

LONDRA

CARACAS