



# TOMOS CLASSIC

## SPARE PARTS MANUALS



## Contents

CRANKCASE, CYLINDER, PISTON.....	4
CRANKSHAFT, CLUTCH .....	6
COUNTERSHAFT, MAINSHAFT.....	8
STRARTER MECHANISM .....	10
MAGNETO ASSEMBLY, ELECTRIC STARTER .....	12
OIL PUMP, OIL TANK .....	14
CARBURATOR, INTAKE SILENCER .....	16
EXHAUST, SEAT, COVERS .....	19
MUDGUARD, DECALS .....	21
FRAME, REAR FORK, CENTRAL STAND .....	23
FRONT FORK.....	25
GRIPS, CABLES .....	27
HANDELBAR, SPEEDOMETER, MIRROR.....	29
FRONT WHEEL.....	31
REAR WHEEL.....	33
ELECTRIC PARTS.....	35

TYPE-MODEL	MODELS
<b>237340 A34BAE CLASSIC-XL 45 K</b>	<b>B</b>
<b>237355 A34DAE CLASSIC-XL 25 P</b>	<b>C</b>
<b>237360 A34DAE CLASSIC-XL 20 P</b>	<b>E</b>
Vin-nr. is denominated from 4 to 11. nr. for EU directive	

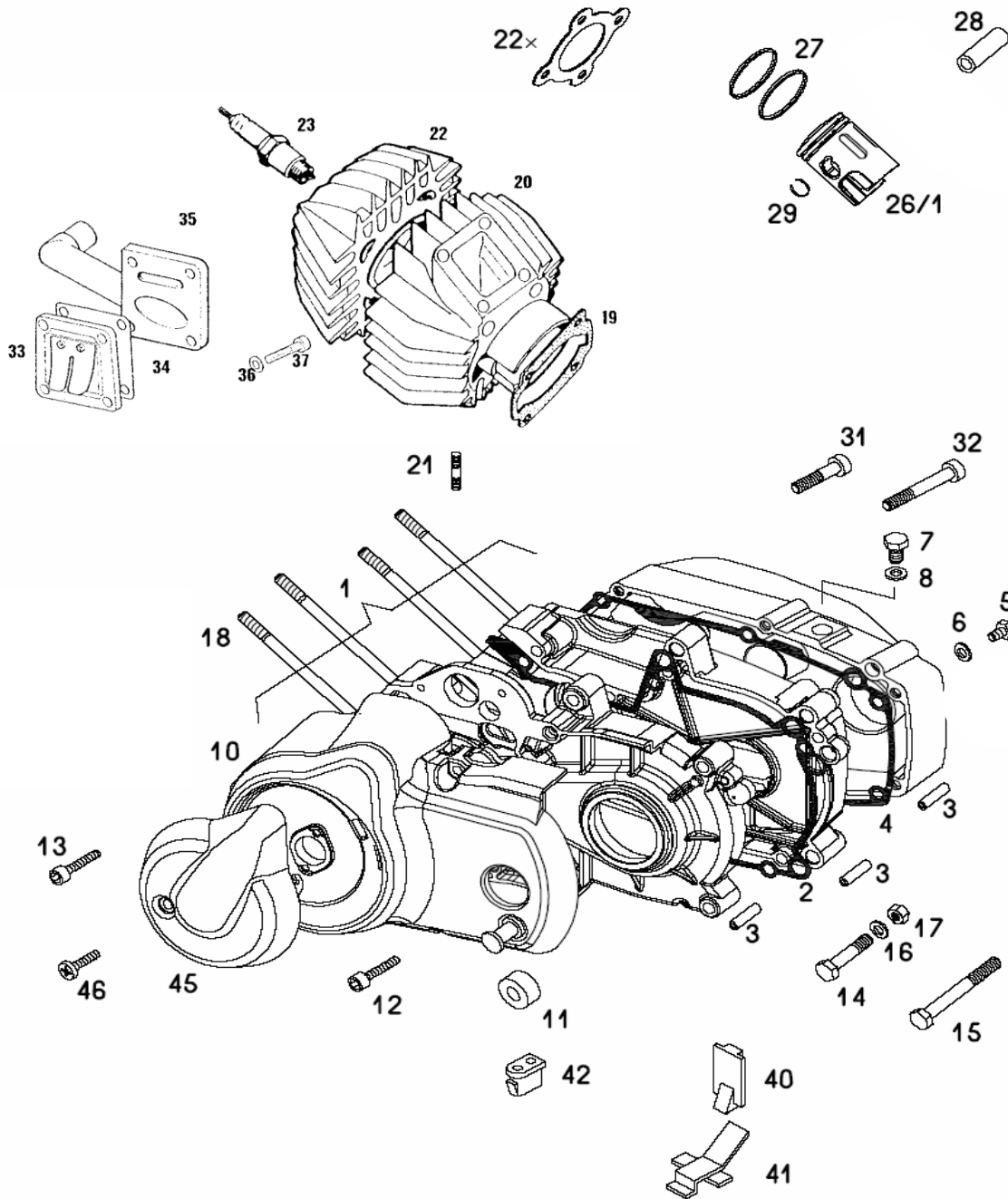
<b>LEGEND FOR ADDITIONALLY MARKED PARTS</b>
a,b... option..(genuine parts)
1,2... various parts, which have same part nr. as parts on group picture
G base coat (ground coat) painted parts
L color painted parts
C chromed parts
M optional parts (parts which are used for another type of motor vehicle)
N unprotected parts (plastic parts)
P parts used in case of need (not mandatory by Bill of Material-BOM)
Z Interchangeable parts (parts which could be used instead of listed parts in case listed ones are not on stock)

<b>PAINTED PARTS (PROTECTED) PARTS</b>
241000LAK – color painted parts; please provide information of color
241000X91 – black painted parts; black-temperature resistant color
241000C51 - chromed - lights

<b>EXAMPLE FOR CHANGE</b>
01/00 do - parts was built on vehicle till januar 2000
11/01 od - parts we built on vehicle from november 2001

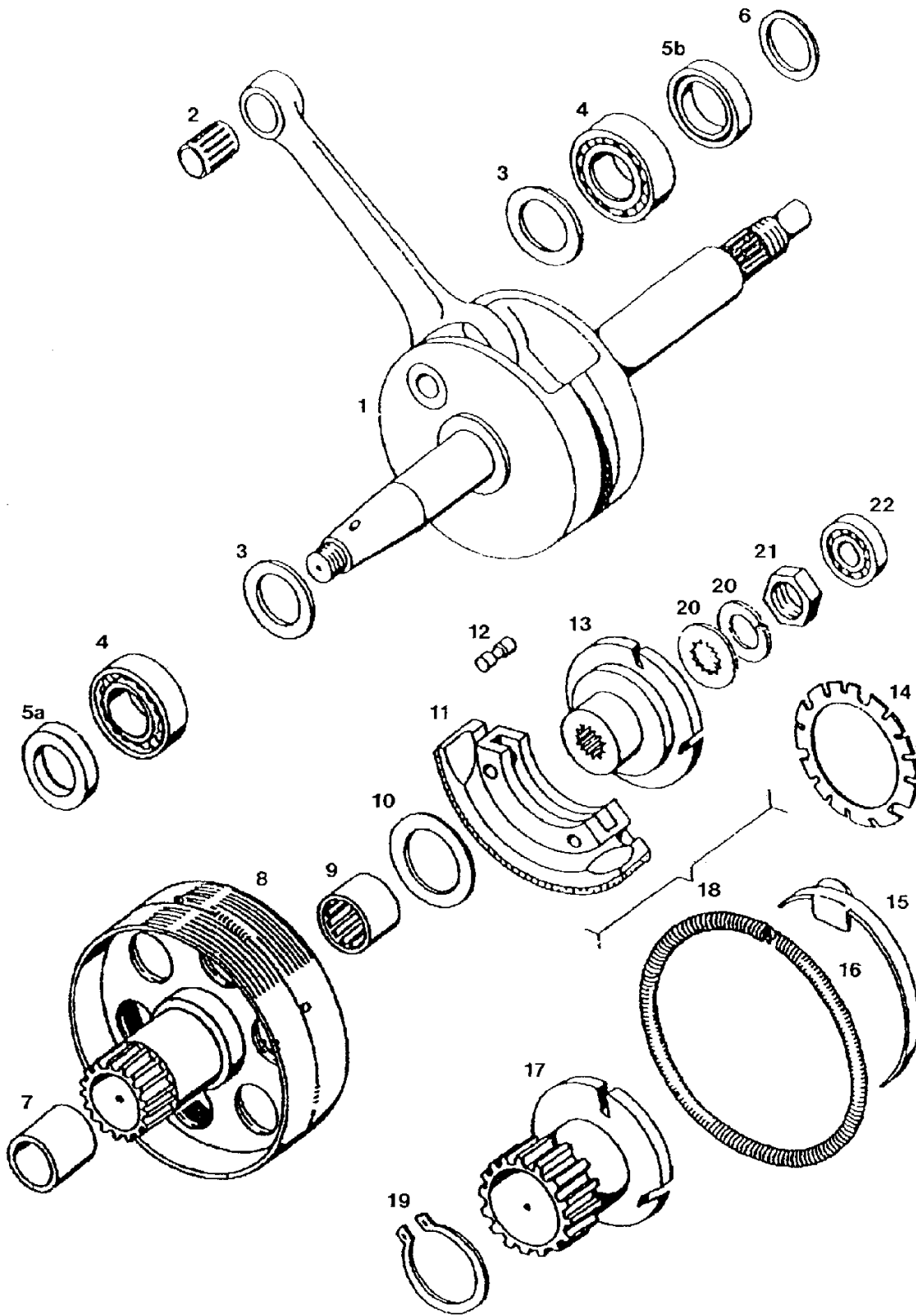
Colour code	Typ of protection	Colour	Colour	Colour tone	RAL similar
LAK	all	all	ALL		
GRU	basis	gray	gray		
KOM	all	combin.	combin.		
M71	metal	silver	silver	standard	9006
S91	normal	black	black	standard	9017
S92	normal	black	black	mat	9017
S01	normal	white	white	standard	9003
C51	CROMED	BLU	Cr	LIGHT	
Z51	ZINCED	BLU	Zn	LIGHT	

# CRANKCASE, CYLINDER, PISTON



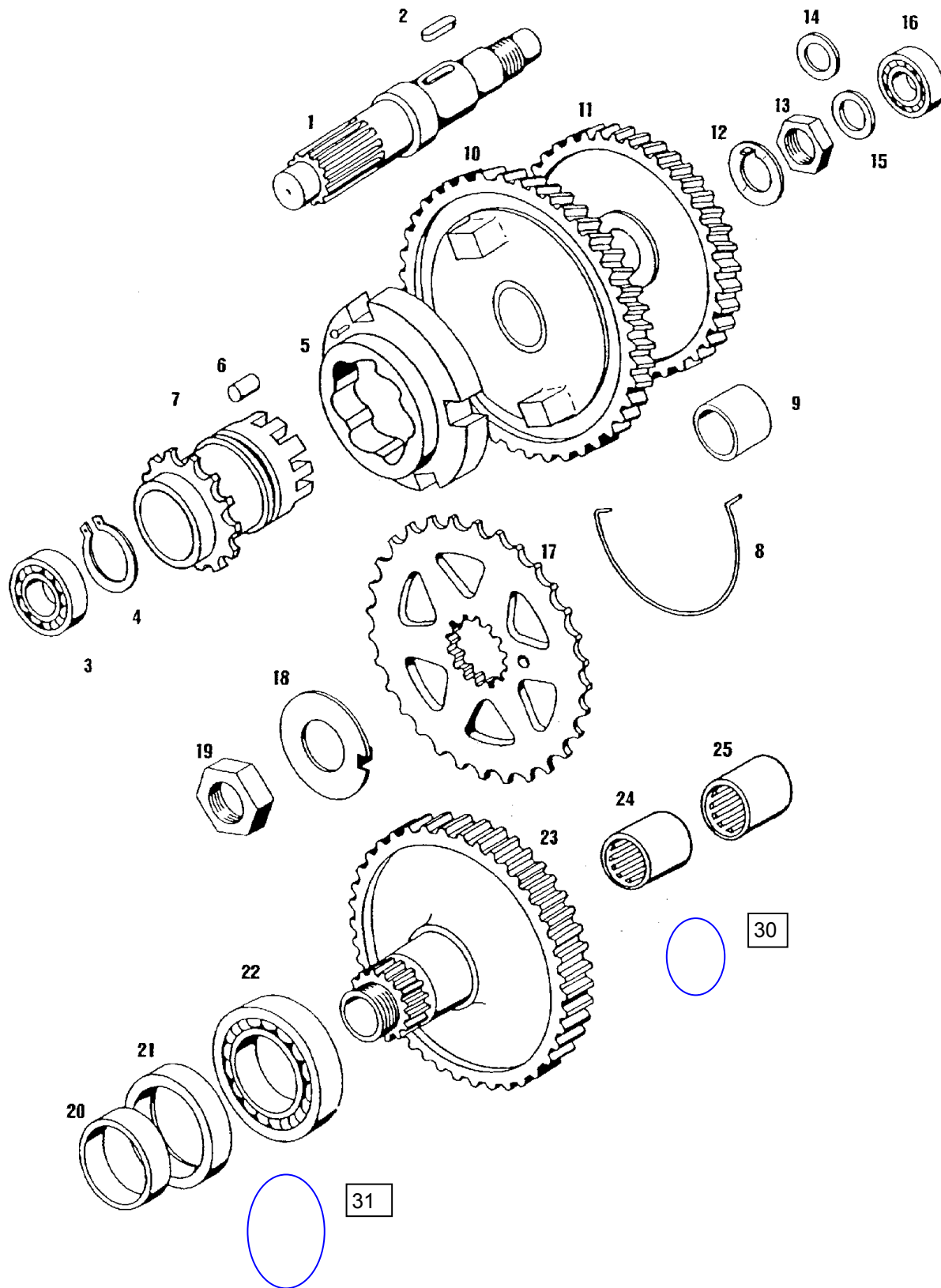
No.	*	Part No.	Denomination	B	C	E
		237313	ENGINE 45 km/h-BLACK	1	1	1
1	1	230982	CRANKCASE-CPL (with parts 2-8,18,30 and barings)	1	1	1
1	2	233178	CRANKCASE right, left and right cover BLACK	1	1	1
2		222098	CRANKCASE GASKET	1	1	1
3		223440	CENTERING BUSH 9,8X16	4	4	4
4		232971	RIGHT COVER GASKET	1	1	1
5		027264	SCREW M6X10	1	1	1
6		230172	SEAL RING A6X12	1	1	1
7		026311	SCREW M8X10	2	2	2
8		230173	SEAL RING A8X14	2	2	2
10		230859	MAGNETO COVER BLACK	1	1	1
11		200294	RUBBER RING	1	1	1
12		026573	ALLEN SCREW M6X25	2	2	2
13		026636	ALLEN SCREW M6X40	1	1	1
14		026045	SCREW M8x1X90	2	2	2
15		026043	SCREW M8x1X80	2	2	2
16		031933	WASHER 8	5	5	5
17		030049	NUT M8X1-SELFLOCKING	4	4	4
18		205386SS	CYLINDER STUD BOLT M7X115	4	4	4
19		233714	CYLINDER GASKET-0,4 mm	2	2	2
20		229402	CILINDER CPL (with part 26)-BLACK	1	1	1
21		240632	STUD BOLT	2	2	2
22	1	223466	CYLINDER HEAD-BLACK	1	.	.
22	2	229288	CYLINDER HEAD-BLACK	.	1	1
23		044511	SPARK PLUG (BOSNA- F75, BOSCH-W7AC,CHAMPION-L86)	1	1	1
24		044828	NUT M7	4	4	4
25		044154	WASHER 7	4	4	4
26		227868	PISTON 38,0 X 50 mm (with part 28-30)	1	1	1
27		222041	PISTON RING 38,0 mm	2	2	2
28		207408	WRIST PIN 12 mm	1	1	1
29		032039	SPRING CIRCLIP 12 mm	2	2	2
31		026573	ALLEN SCREW M6X25	14	14	14
32		026582	ALLEN SCREW M6X65	1	1	1
33		222238	REED VALVE	1	1	1
34		223748	REED VALVE GASKET	1	1	1
35	1	230815	INTAKE MAINFOLD (OIL PUMP) - 45 km/h	1	.	.
35	2	230905	INTAKE MAINFOLD (OIL PUMP)	.	1	1
36		031931	WASHER 5	4	4	4
37	1	026686	SCREW M5X20(ISO 7380)	2	2	2
37	2	236323	SCREW	1	1	1
38		230812	RUBBER TUBE	1	1	1
45		230901	OIL PUMP COVER-BLACK	1	1	1
46		233368	SCREW PT-KA30X14	1	1	1
		233560	GASKET SET (A5-A)	.	.	.

## CRANKSHAFT, CLUTCH



No.	*	Part No.	Denomination	B	C	E
1		223421	CRANKSHAFT - A35	1	1	1
2		035548	NEEDLE BEARING 12X15X15	1	1	1
3	P	212957	SHIM 0,10MM	1	1	1
3	P	212958	SHIM 0,15MM	1	1	1
3	P	212959	SHIM 0,20MM	2	2	2
4		035070	BALL BEARING 6203 C3	2	2	2
5		036555	SEAL RING A17X35X7	1	1	1
6		223468	THRUST WASHER 14X20X2	1	1	1
7		223470	BEARING BUSH	1	1	1
8		223423	GEAR WITH DRUM CPL. - A35	1	1	1
9		035554	ROLLER CLUTCH	1	1	1
10		209073	SHIM 0,30MM	1	1	1
10	P	209119	SHIM 0,50MM	1	1	1
11	1	223432	CLUTCH SEGMENT 1ST. GEAR	3	3	3
11	2	223562	CLUTCH SEGMENT 2ND. GEAR	3	3	3
12		223434	CLUTCH PIN	6	6	6
13		223429	CLUTCH HUB 1ST. GEAR	1	1	1
14		209002	SPRING PLATE	1	1	1
15		209039	BRAKE STRIP	6	6	6
16	1	209013	CLUTCH SPRING	1	1	1
16	2	223769	CLUTCH SPRING	1	1	1
17		223435	DRIVE GEAR (2.ND GEAR)	1	1	1
18		223436	CLUTCH CPL. 2.ND GEAR (REV	1	1	1
18		227849	CLUTCH CPL. 1ST. GEAR (REV	1	1	1
19		032083	CIRCLIP	1	1	1
20		031848	SPRING RING B10	1	1	1
20		031978	THRUST WASHER B10	1	1	1
21		215487	NUT M10X1	1	1	1
22		035202	BALL BEARING 608	1	1	1

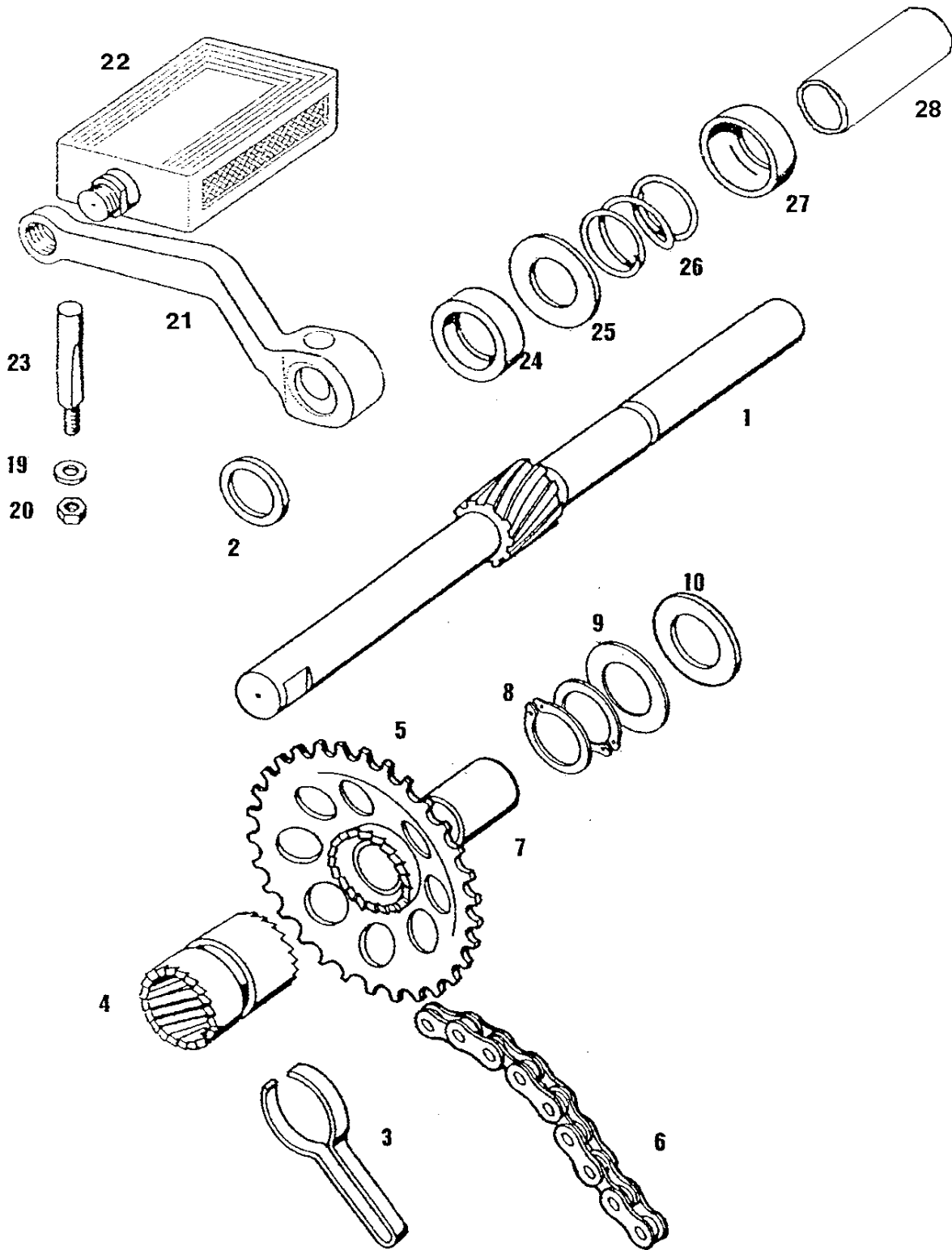
# COUNTERSHAFT, MAINSHAFT





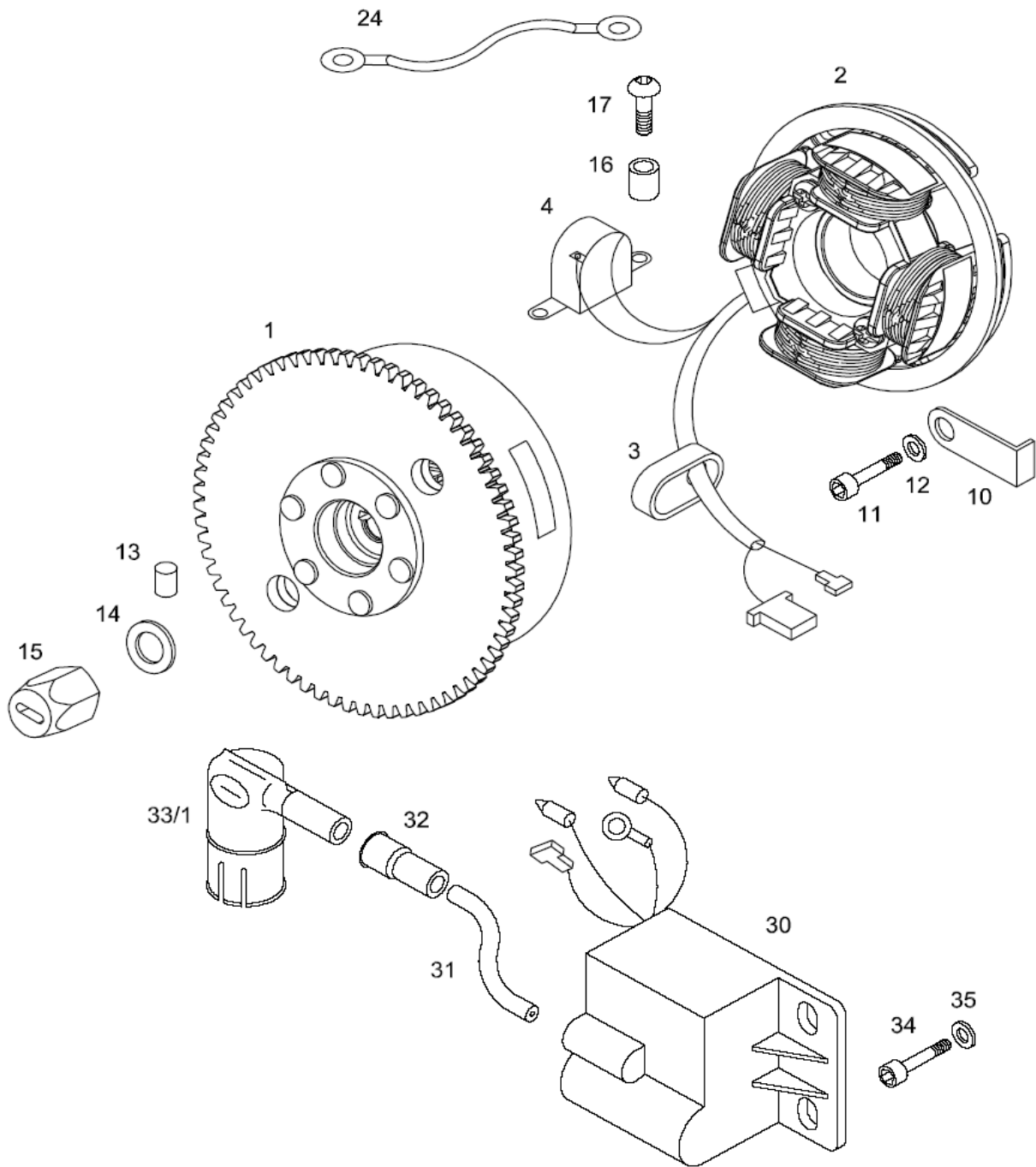
No.	*	Part No.	Denomination	B	C	E
1		223458	COUNTERSHAFT	1	1	1
2		044835	WOODRUFF KEY 5X5X12	1	1	1
3		035072	BALL BEARING 6201	1	1	1
4		032077	CIRCLIP	1	1	1
5		223463	CAGE	1	1	1
6		209063	ROLLER D5X8	8	8	8
7		222209	CAGE	1	1	1
8		223121	COUNTERSHAFT SPRING	1	1	1
9		035600	BEARING BUSH	1	1	1
10		227194	1ST. SPEED GEAR - A35	1	1	1
11		223461	2ND. SPEED GEAR - A35	1	1	1
12		209062	PROTECTIVE WASHER	1	1	1
13		200141	NUT M14X1	1	1	1
14		223469	THRUST WASHER 2,0MM	1	1	1
15	P	209075	SHIM 0,20MM	1	1	1
15	P	209076	SHIM 0,50MM	1	1	1
16		035031	BALL BEARING 6000	1	1	1
17		209078	FRONT SPROCKET Z=26	1	1	1
17		236345	FRONT SPROCKET Z=20	.	.	1
18		209079	PROTECTIVE WASHER	1	1	1
19		209080	NUT M22X1	1	1	1
20		209077	DISTANCE BUSH	1	1	1
21		036620	SEALING RING A35X47X7	1	1	1
22		035037	BALL BEARING 6006	1	1	1
23		223456	DRIVE SHAFT CPL. - KICK	1	1	1
24		035502	NEEDLE BEARING SCE 109P	1	1	1
25		035503	NEEDLE BEARING SCE 108	1	1	1
30		033006	O RING	1	1	1
31		033007	O RING	1	1	1

# STRARTER MECHANISM



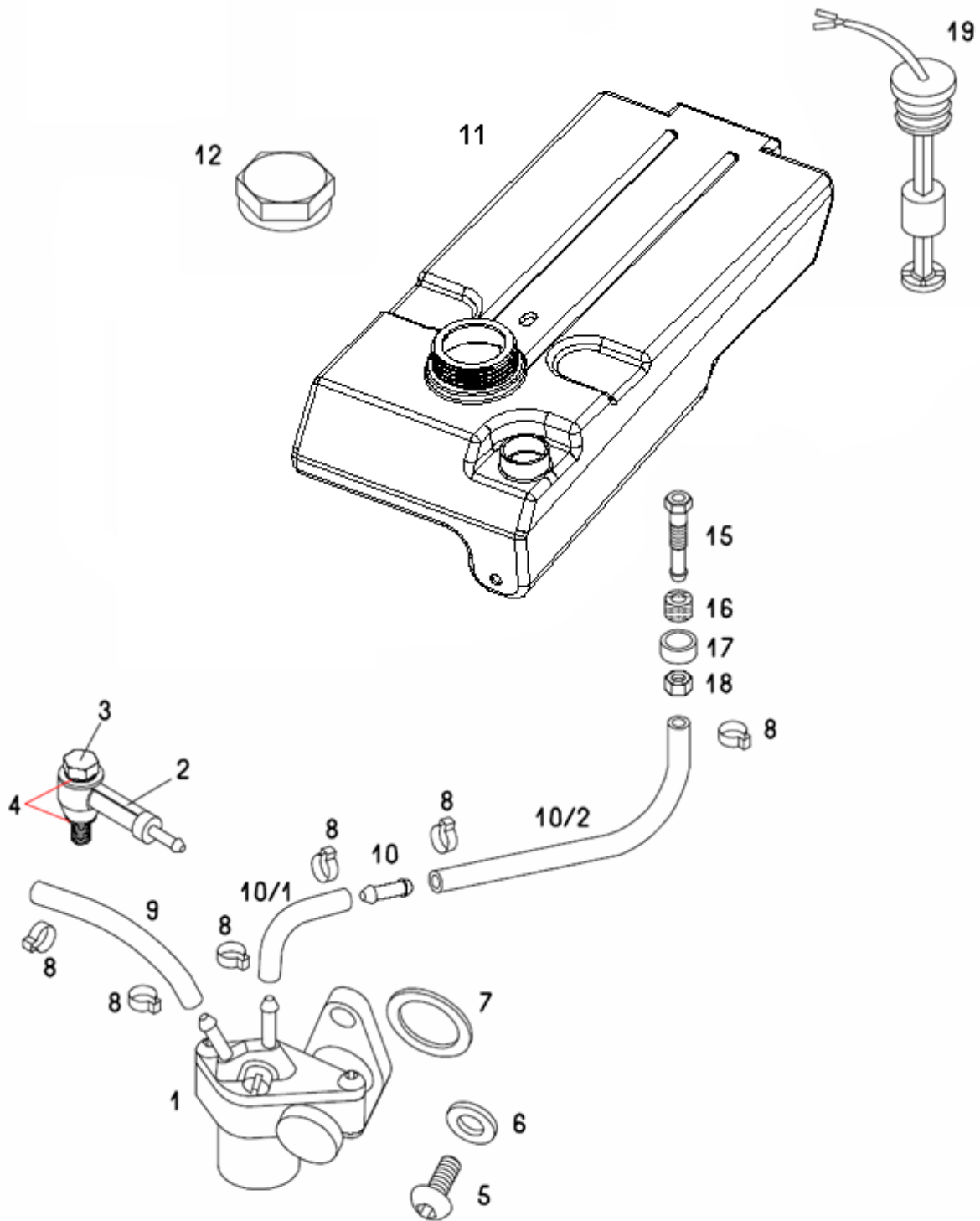
No.	*	Part No.	enomination	C	E
1		237269	STARTER SHAFT-pedal	1	1
2		205702	THRUST WASHER	1	1
3		209048	BRAKE SPRING	1	1
4		209047	CLAW COLLAR	1	1
5		217584	CHAIN SPROCKET Z=25	1	1
6		217582	CHAIN (32 ROLLERS)	1	1
7		223448	DISTANCE BUSH	1	1
8		032073	STARTERSHAFT RING 16	2	2
9		206391	SHIM 0,50MM	1	1
10	P	209087	SHIM 0,02MM	3	3
10	P	200175	SHIM 0,50MM	1	1
19		200185	WASHER 7,4X14X2	2	2
20		031076	NUT M7	2	2
21		230291	PEDAL ARMS-par,black	1	1
22		222655	PEDAL-par	1	1
23		206714	PIN	2	2
24		200266	SEAL RING	1	1
25		209224	THRUST WASHER 1,0 mm	1	1
26		209099	SPRING	1	1
27		209096	CUP-bright	1	1
28		237318	DISTANCE TUBE	1	1

# MAGNETO ASSEMBLY, ELECTRIC STARTER



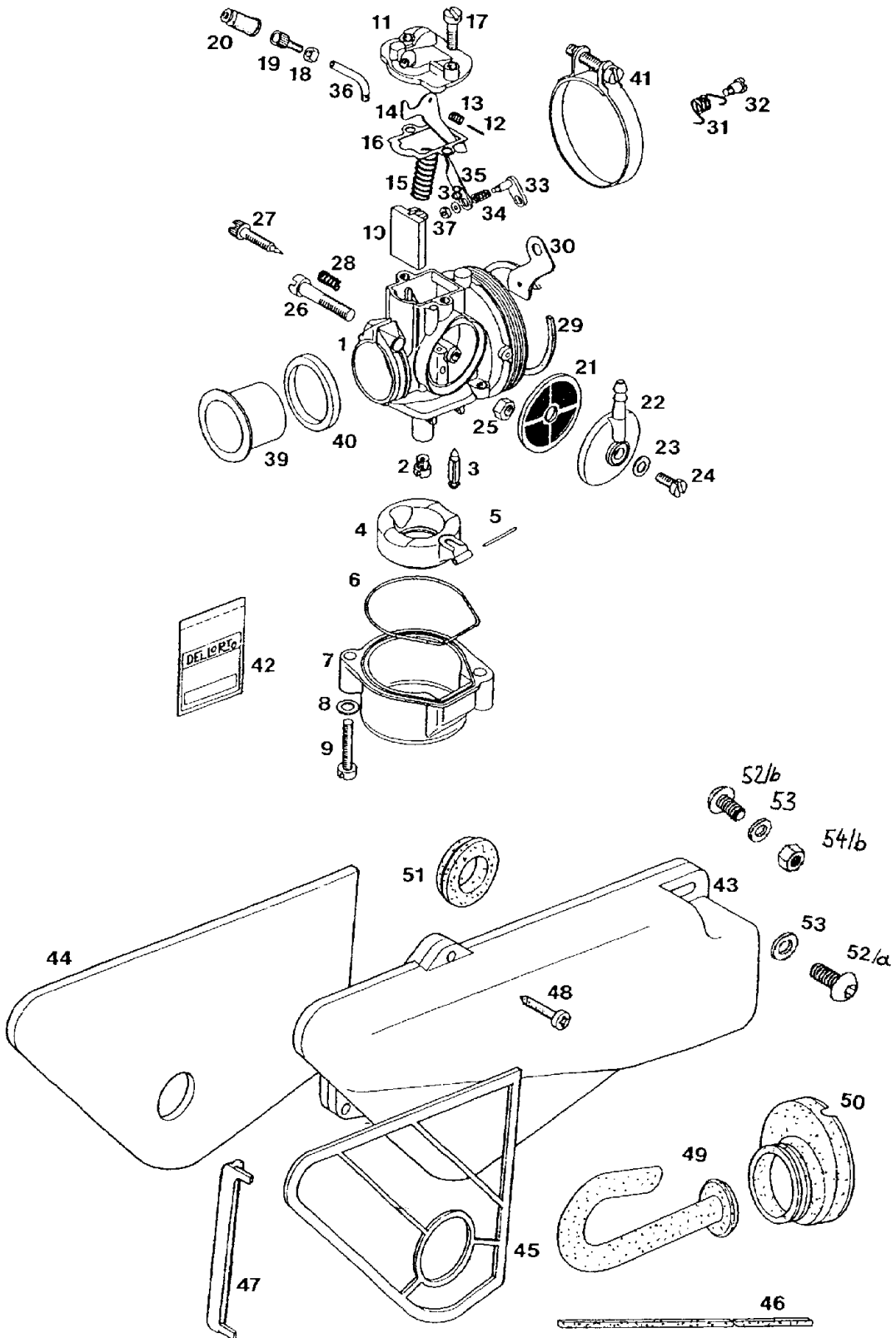
No.	*	Part No.	Denomination	B	C	E
		233720	MAGNETO ASSEMBLY CPL. (with parts 1- 4)	1	1	1
1		243101	FLYWHEEL	1	1	1
2		243100	BASE PLATE CPL.	1	1	1
3		224196	RUBBER INSERT PIECE	1	1	1
4		243102	PICK UP	1	1	1
10		230916	CLIP	1	1	1
11		026657	ALLEN SCREW M5x15	2	2	2
		291346	LOCTITE 243	.	.	.
12		031508	WASHER M5	2	2	2
13		200048	ROLLER D3x4	1	1	1
14		229918	WASHER d10,4 D 17,5 s 1,2	1	1	1
15		230813	OIL PUMP NUT M10x1	1	1	1
16		233719	DISTANCE TUBE	2	2	2
17		236389	SCREW FOR PICK UP	2	2	2
24		232967	GROUND WIRE	1	1	1
30		233729	ELECTRONIC	1	1	1
31		044528	SPARK PLUG CABLE (430mm)	m	m	m
32		210175	RUBBER PROTECTOR	1	1	1
33		206116	SPARK PLUG CAP	1	1	1
34		026701	SCREW M5x12 (ISO 7380)	2	2	2
35		031508	WASHER M5	2	2	2

## OIL PUMP, OIL TANK



<b>No.</b>	<b>*</b>	<b>Part No.</b>	<b>Denomination</b>	<b>B</b>	<b>C</b>	<b>E</b>
1		217310	OIL PUMP CPL. (with parts 2,3,4)	1	1	1
2		217311	BANJO	1	1	1
3		217312	BANJO BOLT	1	1	1
4		044581	SEALING WEASHER 6X12	2	2	2
5		026697	SCREW M5X16 (ISO 7380)	2	2	2
6		031867	WASHER B5	2	2	2
7	P	227393	SHIM 0,50mm	1	1	1
8		217313	FERRULE	4	4	4
9		044472	OIL LINE (320 mm)	m	m	m
10	1	044472	OIL LINE (250 mm)	m	m	m
10	2	044472	OIL LINE (530 mm)	m	m	m
10	3	233116	CONNETCING CLAMP	1	1	1
11		237258	OIL TANK	1	1	1
12		236413	OIL TANK CAP	1	1	1
15		217319	BANJO	1	1	1
16		227499	TRUBBER WASHER	1	1	1
17		227498	WASHER CUP	1	1	1
18		031075	NUT M6	1	1	1
19		236414	OIL LEVEL SENZOR	1	1	1

# CARBURATOR, INTAKE SILENCER



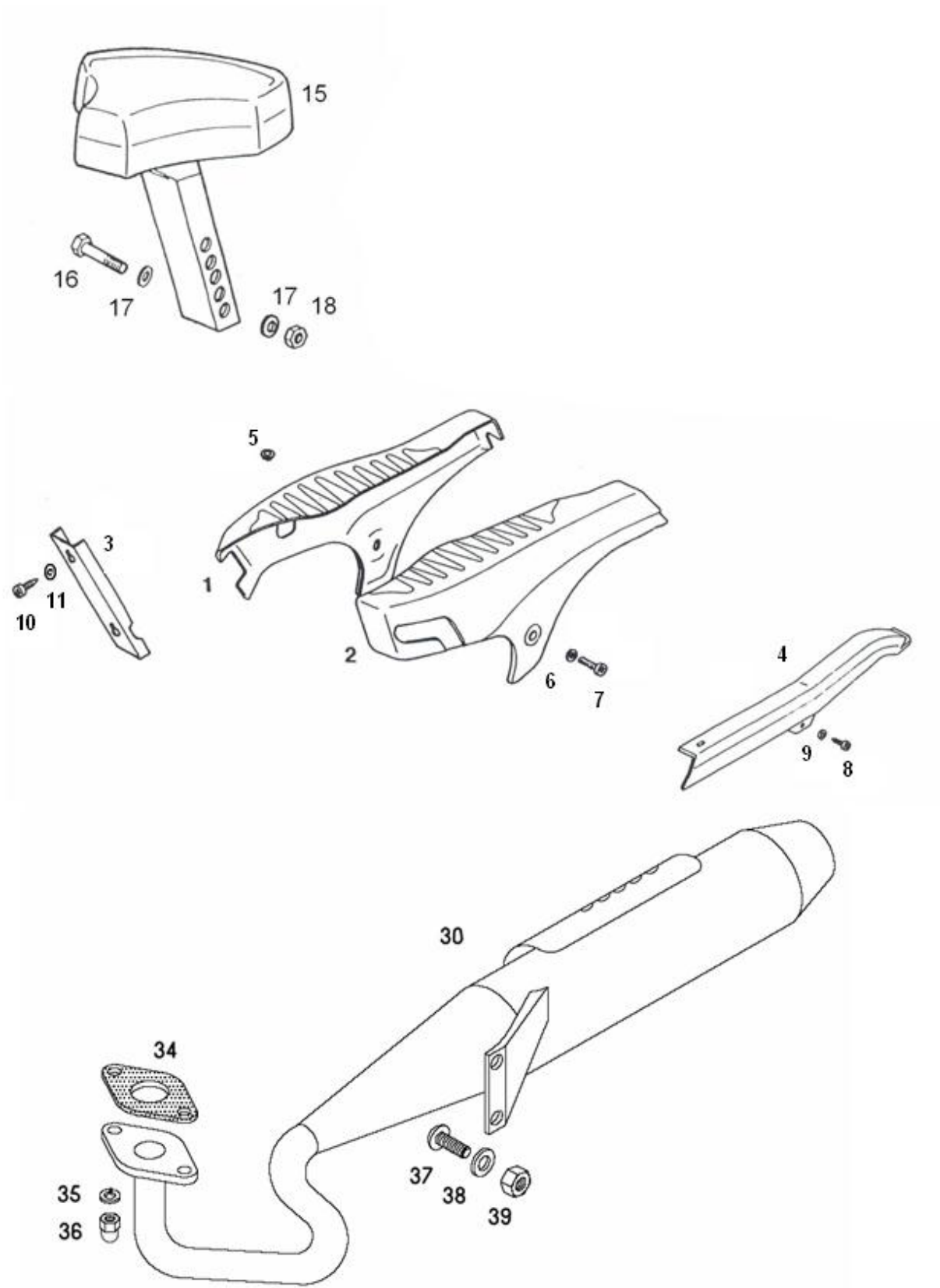


No.	*	Part No.	Denomination	B	C	E
1	1	236212	CARBURETOR	1	.	.
1	2	236202	CARBURETOR	.	1	1
2		212465	JET 51	1	.	.
2		222681	JET 49	.	1	1
3		219589	FLOAT VALVE	1	1	1
4		219582	FLOAT	1	1	1
5		219593	FLOAT PIN	1	1	1
6		219594	FLOAT CHAMBER GASKET	1	1	1
7		219595	FLOAT CHAMBER	1	1	1
8		031930	WASHER 4	1	1	1
9		027057	SCREW M4X20	1	1	1
10		219580	THROTTLE SLIDE	1	1	1
11		219596	CARBURATOR COVER CPL. with parts (12-15)	1	1	1
12		219871	PIN	1	1	1
13		219872	SPRING	1	1	1
14		219873	CHOKE LEVER	1	1	1
15		219874	RETURN SPRING	1	1	1
16		219583	CARBURATOR COVER GASKET	1	1	1
17		219598	SCREW M4X15	2	2	2
18		219626	NUT	1	1	1
19		219625	ADJUSTING SCREW	1	1	1
20		219624	RUBBER BUSH	1	1	1
21		219585	FUEL FILTER	1	1	1
22		219584	FUEL CONNECTION LID	1	1	1
23		219780	SEAL RING	1	1	1
24		026700	SCREW M5X10	1	1	1
25		031075	NUT M6	1	1	1
26		027083	SCREW M6X30	1	1	1
27		219587	ADJUSTING SCREW	1	1	1
28		219588	SPRING	1	1	1
29		219590	GASKET	1	1	1
30		223026	CHOKE LEVER	1	1	1
31		219591	RETURN SPRING	1	1	1
32		219592	SCREW	1	1	1
33		223025	LEVER	1	1	1
34		223027	CHOKE SPRING	1	1	1
35		227328	CHOKE LEVER	1	1	1
36		219623	CONNECTION	1	1	1
37		031073	NUT M4	1	1	1
38		031930	WASHER 4	1	1	1
39		227326	PLASTIC REDUCING BUSH	1	1	1
40		227324	SEALING RING	1	1	1
41		219375	CLAMP 60-65	1	1	1
42		219875	CARBURATOR GASKET SET CPL.	1	1	1
43	1	229769	INTAKE SILENCER CPL.	1	.	.
43	2	230069	INTAKE SILENCER CPL.	.	1	1
44		229704	AIR FILTER (FOAM)	1	1	1
45		229776	FILTER COVER	1	1	1
46		229702	FILTER PIECE	1	1	1
47		229703	FILTER SUPPORT	1	1	1
48		044438	SHEET SCREW 4,2X19	3	3	3
49		230046	SILENCER INSERT PIECE	.	1	1
50		229705	JUNCTION SLEEVE	1	1	1

A34BAE CLASSIC-XL Spare parts manuals

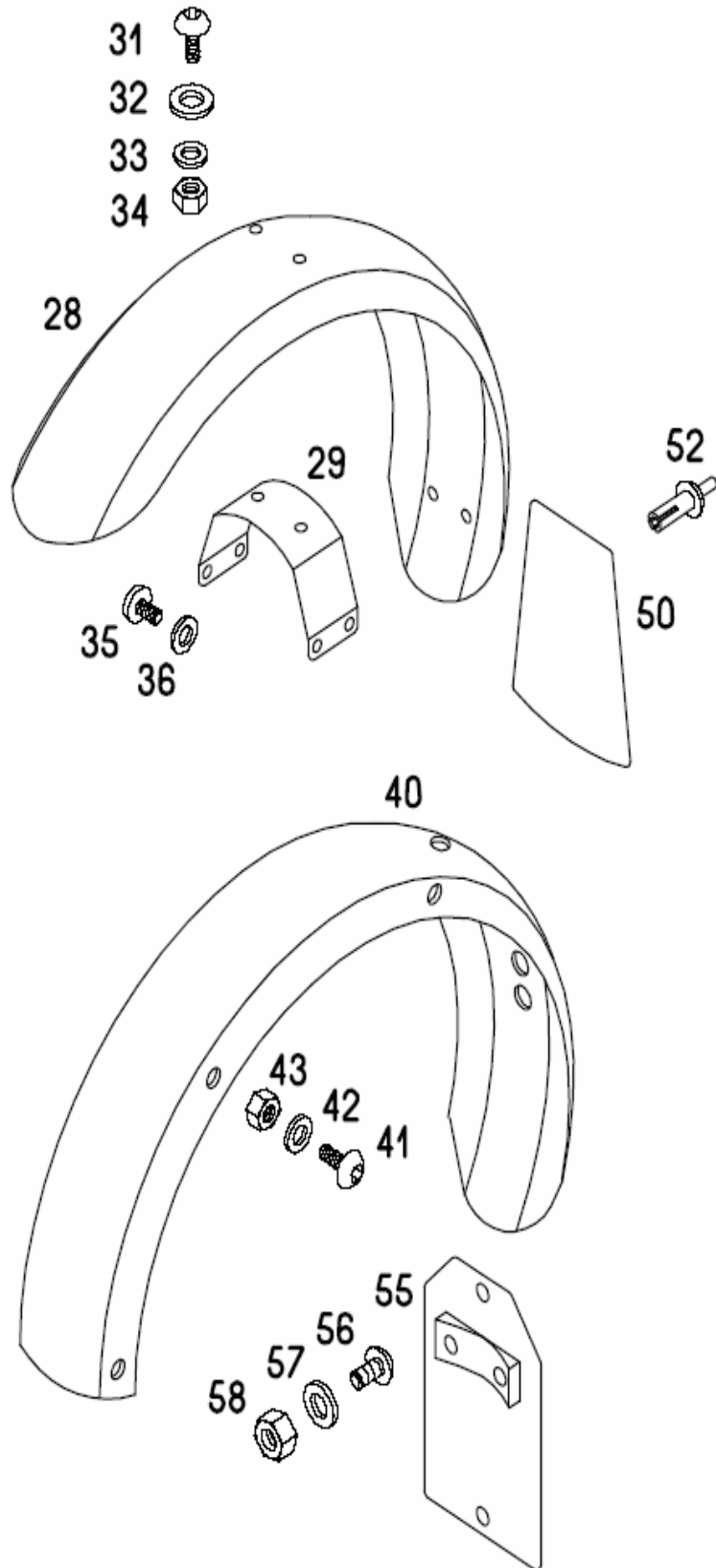
51	229706	INSERT RUBBER	1	1	1
52	044115	SCREW M6X25	1	1	1
53	031509	WASHER 6	1	1	1
54	031075	NUT M6	1	1	1

## EXHAUST, SEAT, COVERS



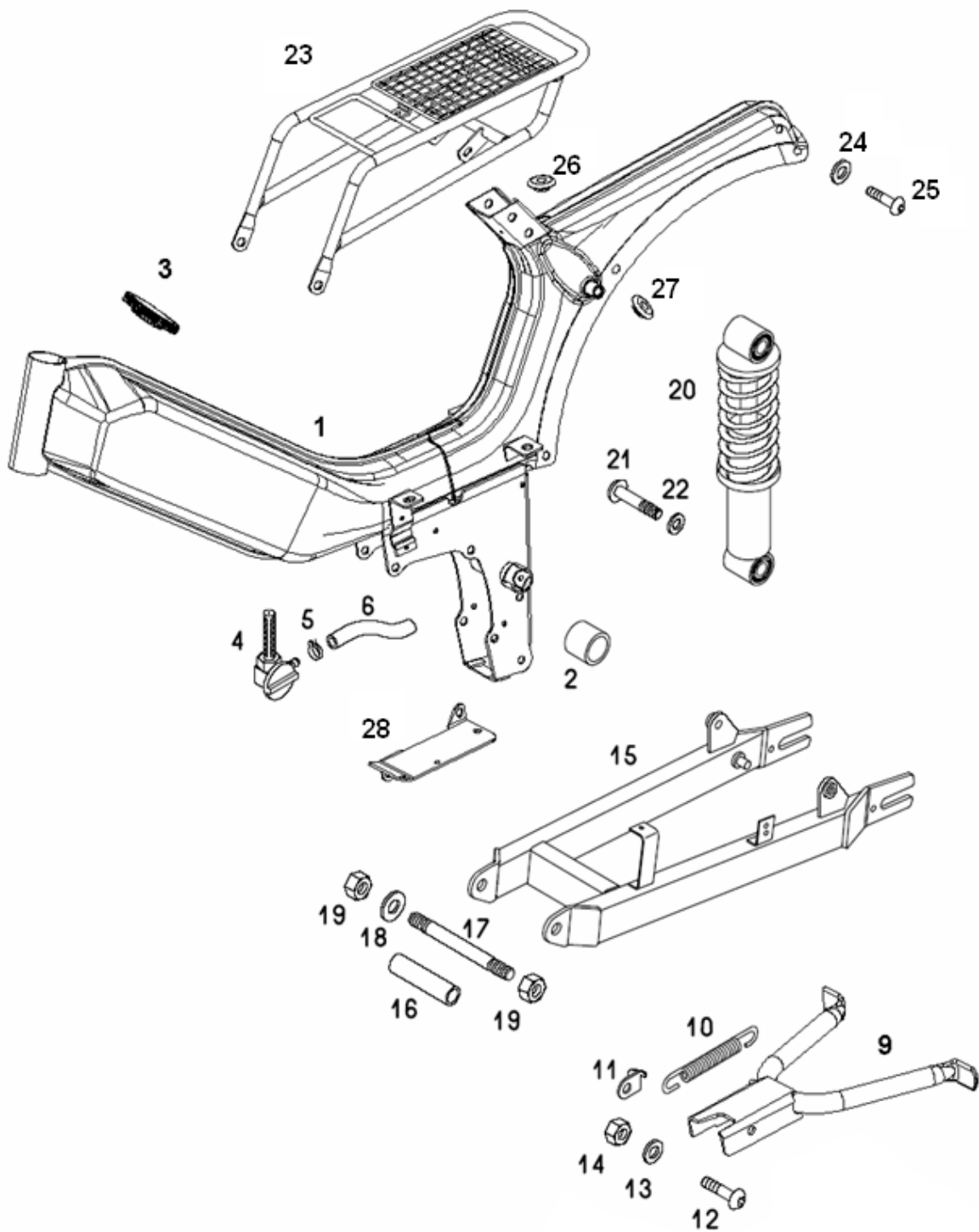
No.	*	Part No.	Denomination	B	C	E
1	L	229836	RNNING BOARD PAINTED RH	1	1	1
2	L	242039LAK	RUNNING BOARD PAINTED LH	1	1	1
3		242313	CONTROL CABLE COVER	1	1	1
4		229779	CHAIN GUARD (BLACK)	1	1	1
5		229728	RUBBER INSERT PIECE	4	4	4
6		031925	WASHER 6,4	2	2	2
7		033512	SCREW M6X16 (DIN 6921)	2	2	2
8		033583	SCREW ST4,8X9	2	2	2
9		215341	WASHER d5,2xD14,5	2	2	2
10		033581	VIJAK*ST4,2X19	2	2	2
11		215341	WASHER d5,2xD14,5	2	2	2
15		208609	SEAT	1	1	1
16		033534	SCREW M8x55 (DIN 6921)	2	2	2
17		031933	WASHER A8,4	2	2	2
18		033592	NUT M8 (DIN 6923)	2	2	2
30		236213	EXHAUST SILENCER	1	.	.
30		236203	EXHAUST SILENCER	.	1	1
34		227149	EXHAUST GASKET	1	1	1
35		031845	SPRING RING B6	2	2	2
36		030020	SCREW M5X30	2	2	2
37		026704	SCREW M8X20 (ISO 7380)	2	2	2
38		031510	WASHER 8	4	4	4
39		030041	NUT M8-SELFLOCKING	2	2	2
		026705	SCREW	2	2	2
		031509	WASHER 6	2	2	2
		242153C51	EXHAUST SHIELD	1	1	1

## MUDGUARD, DECALS



<b>No.</b>	<b>*</b>	<b>Part No.</b>	<b>Denomination</b>	<b>B</b>	<b>C</b>	<b>E</b>
		234455	DECAL "CLASSIC RETRO" CPL.	1	1	1
28	C	237213C51	FRONT MUDGUARD	1	1	1
29	C	242056C51	FRONT MUDGUARD HOLDER	1	1	1
31		026700	SCREW M5X10 (ISO 7380)	2	2	2
32		31508	WASHER A5,3	6	6	6
33		33502	SCREW M5X12 (DIN 6921)	2	2	2
34		030048	NUT M5 SELFLOCKING	2	2	2
35		026706	SCREW M6X12 (ISO 7380)	4	4	4
36		031509	WASHER 6	4	4	4
40	C	222299	REAR MUDGUARD	1	1	1
41		033510	SCREW M6X10 (DIN 6921)	6	6	6
42		031509	WASHER 6	6	6	6
43		033591	NUT M6 SELFLOCKING	6	6	6
50		234656	MUD FLAP	1	1	1
52		234664	PLASTIC SCREW	2	2	2
55	L	211838	PLATE	1	1	1
56		026700	SCREW M5X10 (ISO 7380)	2	2	2
57		031508	WASHER A5,3	2	2	2
58		030048	NUT M5 SELFLOCKING	2	2	2

## FRAME, REAR FORK, CENTRAL STAND



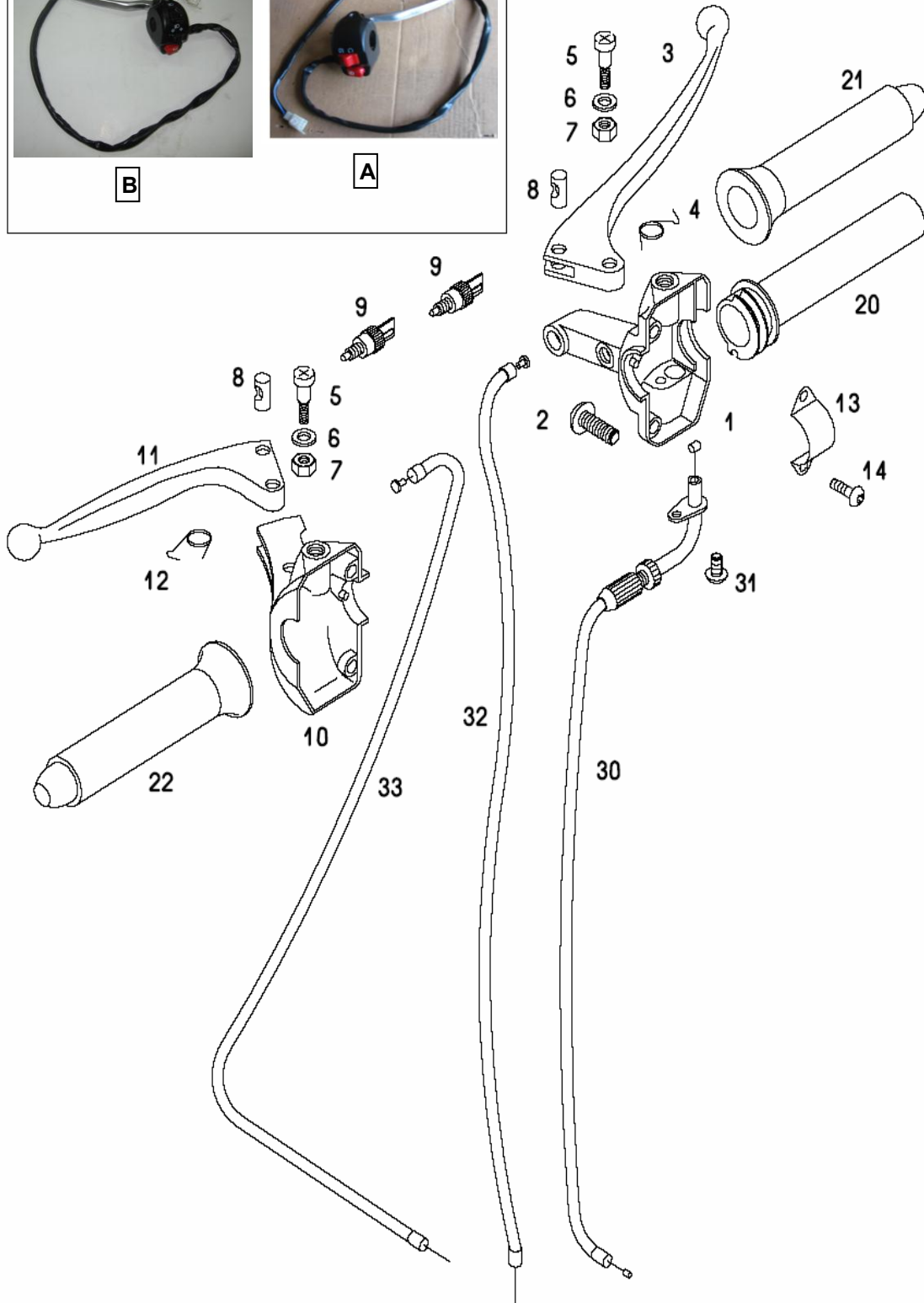
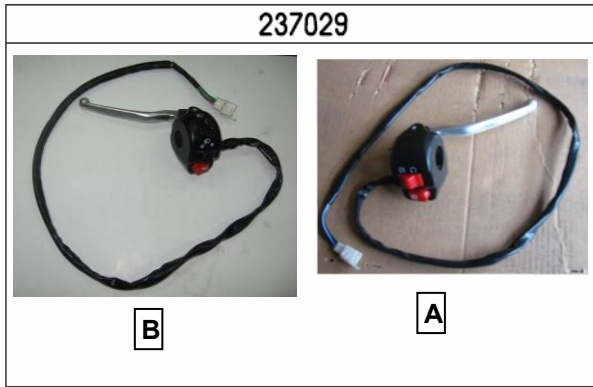
No.	*	Part No.	Denomination	B	C	E
1	L	242333LAK	FRAME	1	1	1
2		209141	BEARING BUSH	2	2	2
3		213953	FUEL TANK CAP	1	1	1
4		233727	FUEL FEED TAP	1	1	1
5		044531	FUEL TUBE 0,05m	m	m	m
6		224056	SPRING CLAMP 8	2	2	2
9	L	237153S91	CENTRAL STAND	1	1	1
10		200609	SPRING	1	1	1
11		209143	SPRING SUPPORT	1	1	1
12		026041	SCREW M8x1X70	1	1	1
13		031933	WASHER 8	1	1	1
14		030049	NUT M8x1 SELFLOCKING	1	1	1
15	L	242338LAK	REAR FORK	1	1	1
16		209144	DISTANCE BUSH	1	1	1
17		237123	AXLE	1	1	1
18		031935	WASHER 13	1	1	1
19		030051	NUT M12x1,25 SELFLOCKING	2	2	2
20		227172	SHOCK ABSORBER-BLACK	2	2	2
21		033543	SCREW M10X35 (DIN 6921)	4	4	4
22		031934	WASHER 10,5	4	4	4
23	C	242364C51	LUGAGGE- black	1	1	1
24		031928	WASHER 6,4	2	2	2
25		033512	SCREW M6X16 (DIN 6921)	2	2	2
26		232731	RUBBER INSERT PIECE fi 15	1	1	1
27		229728	RUBBER INSERT PIECE fi 12	1	1	1
28		237224	RELAY PROTECTOR	1	1	1





No.	*	Part No.	Denomination	B	C	E
-		236839	FRONT FORK CPL. grund (with parts 1 to 21 and 27)	1	1	1
1	L	243184	RH FRONT FORK SILVER	1	1	1
2	L	243185	LH FRONT FORK SILVER	1	1	1
4		243179	SEAL RING	2	2	2
5		243195	OIL SEAL RING	2	2	2
12		232968	CABLE GUIDE	2	2	2
13	G	243197	FORK LUG grund	1	1	1
14		026683	SCREW M8X45	4	4	4
15		031077	NUT M8	4	4	4
16	G	243196	UPPER YOKE GRUND	1	1	1
17	G	243198	HANDLEBAR CARRIER grund	2	2	2
18		026646	SCREW M6X45	4	4	4
19		031075	NUT M6	4	4	4
20		219349	CROWN NUT	1	1	1
-		230741	BEARING SET (with parts 21-30)	1	1	1
21		200714	STEERING BEARING CONE	1	1	1
23		200714	STEERING BEARING CONE	1	1	1
24		200715	COVER (BRIGHT)	1	1	1
25		200717	GROOVED NUT	1	1	1
26	P	222848	WASHER (S= 2MM)	1	1	1
27		206701	WASHER (S= 0,7MM)	1	1	1
28		044535	BALL BEARING 5	42	42	42
29		223155	STEERING BEARING CUP (TOP)	1	1	1
30		223157	STEERING BEARING CUP (BOTTOM)	1	1	1
31	L	242304LAK	LAMP HOLDER-RIGHT	1	1	1
32	L	242305LAK	LAMP HOLDER-LEFT	1	1	1
33		229399	RUBBER RING	4	4	4
35		227121	FRONT SIDE REFLECTOR	2	2	2
40		233198	SET OF LOCKS (with parts 41-42)	1	1	1
41		232891	KEY (must to notify number)	1	1	1
42		233198	FRONT FORKS LOCK (with part 41)	1	1	1

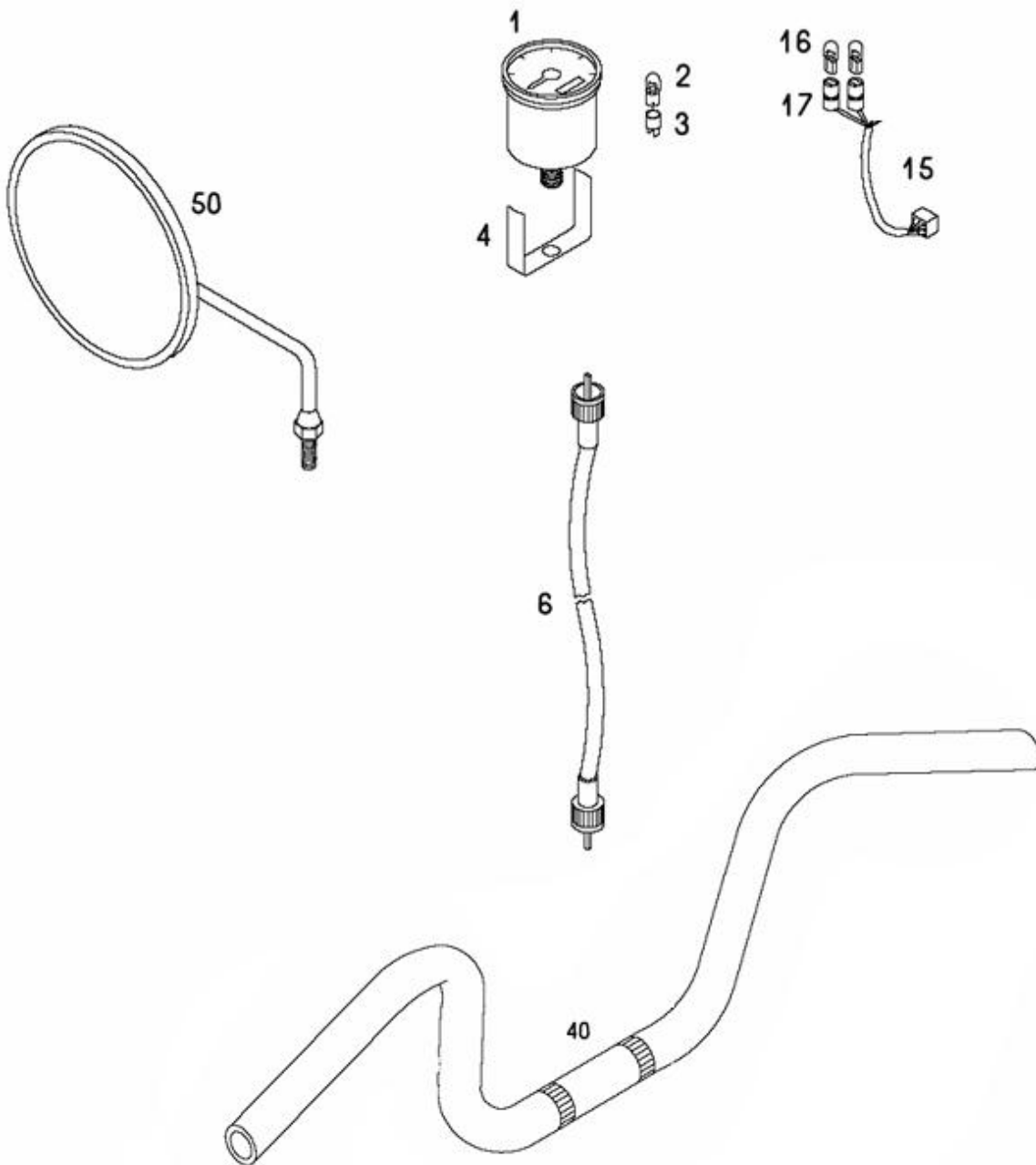
# GRIPS, CABLES



A34BAE CLASSIC-XL Spare parts manuals

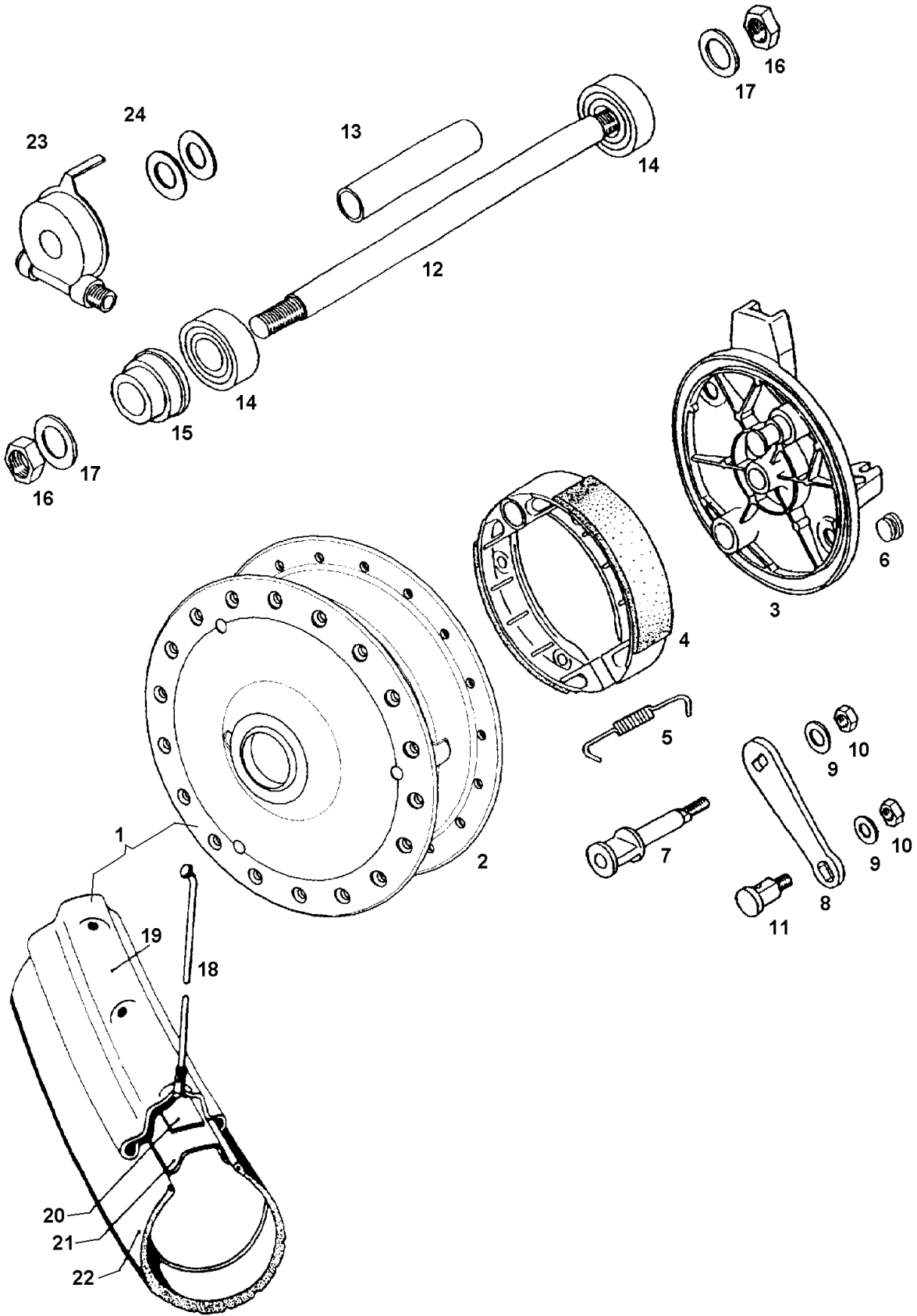
<b>No.</b>	<b>*</b>	<b>Part No.</b>	<b>Denomination</b>	<b>B</b>	<b>C</b>	<b>E</b>
1		243236	GRIP	1	1	1
2		243237	SCREW	4	4	4
3		243238	GRIP	1	1	1
4		243239	SPRING	1	1	1
5		243240	SCREW	1	1	1
8		221222	NIPPEL	2	2	2
9		243607	STOP SWICH	2	2	2
10		243242	GRIP	1	1	1
11		243244	GRIP	1	1	1
12		243245	SPRING	1	1	1
13		243247	CLMP	2	2	2
14		026700	SCREW M5X10	2	2	2
20		243246	LEVER GRIP	1	1	1
30		232794	THROTTLE CABLE	1	1	1
31		026700	SCREW M5X10	1	1	1
32		229542	BRAKE CABLE FRONT	1	1	1
33		229543	BRAKE CABLE REAR	1	1	1
		241099	GRIP	1	1	1

# HANDELBAR, SPEEDOMETER, MIRROR



<b>No.</b>	<b>*</b>	<b>Part No.</b>	<b>Denomination</b>	<b>B</b>	<b>C</b>	<b>E</b>
1		234406	SPEEDOMETER- km/h (with parts 2-3)	1	1	1
2		213993	BULB 12V 2W BA7S	1	1	1
3		234389	BULB HOLDER	1	1	1
4		234357	SPEEDOMETER HOLDER	1	1	1
6		230584	SPEEDOMETER CABLE OS L=650 mm	1	1	1
15		237058	SPEEDOMETER WIRING (with parts 16 and 17)	1	1	1
16		232763	BULB 12V 1,2W -W2x4,6d	2	2	2
17		227497	BULB HOLDER	2	2	2
40	C	242042C51	HANDLEBAR	1	1	1
50		236968	LH MIRROR-chrom	1	1	1

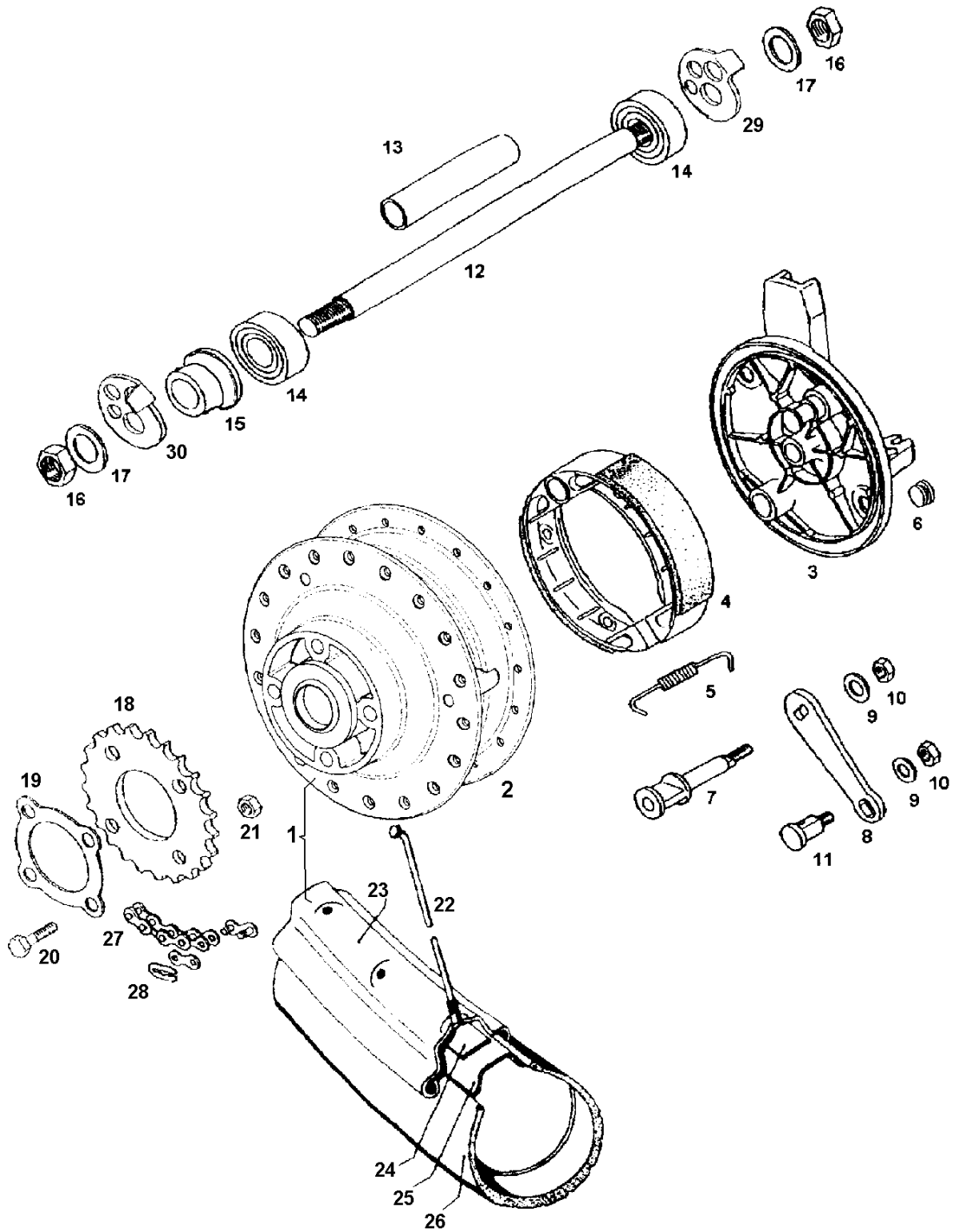
# FRONT WHEEL



No.	*	Part No.	Denomination	B	C	E
1	1	237186	FRONT WHEEL CPL.	1	1	1
1	2	237037	FRONT WHEEL WITH TYRE	1	1	1
3	1	233155	FRONT BRAKE PLATE-silver (with part 4-11)	1	1	1
4		229740	BRAKE SHOE - PAIR	pair	pair	pair
5		229741	SPRING	2	2	2
6		227114	RUBBER PLUG	2	2	2
7		229743	BRAKE CAM	1	1	1
8		229684	BRAKE LEVER	1	1	1
9		031509	WASHER 6	2	2	2
10		031075	NUT M6	2	2	2
11		222581	BOLT	1	1	1
12		226086	FRONT WHEEL AXLE D12	1	1	1
13		222568	DISTANCE TUBE	1	1	1
14		044225	BALL BEARING 12X32X10(6201-2Z)	2	2	2
15		227485	DISTANCE TUBE	1	1	1
16		206498	NUT M12x1	2	2	2
17		031935	WASHER 12	2	2	2
18		232733	SPOKEN WITH NIPPLE (L=149)	36	36	36
19		217137	FRONT RIM 1.20 X 16	1	1	1
20		044926	RUBBER INSERT RING 2 1/4 -16	1	1	1
21		044925	INNER TUBE 2 1/4 - 16	1	1	1
22		234227	TYRE 2 1/4-16*38J black/white	1	1	1
23		230631	speedometer drive D=12 mm	1	1	1

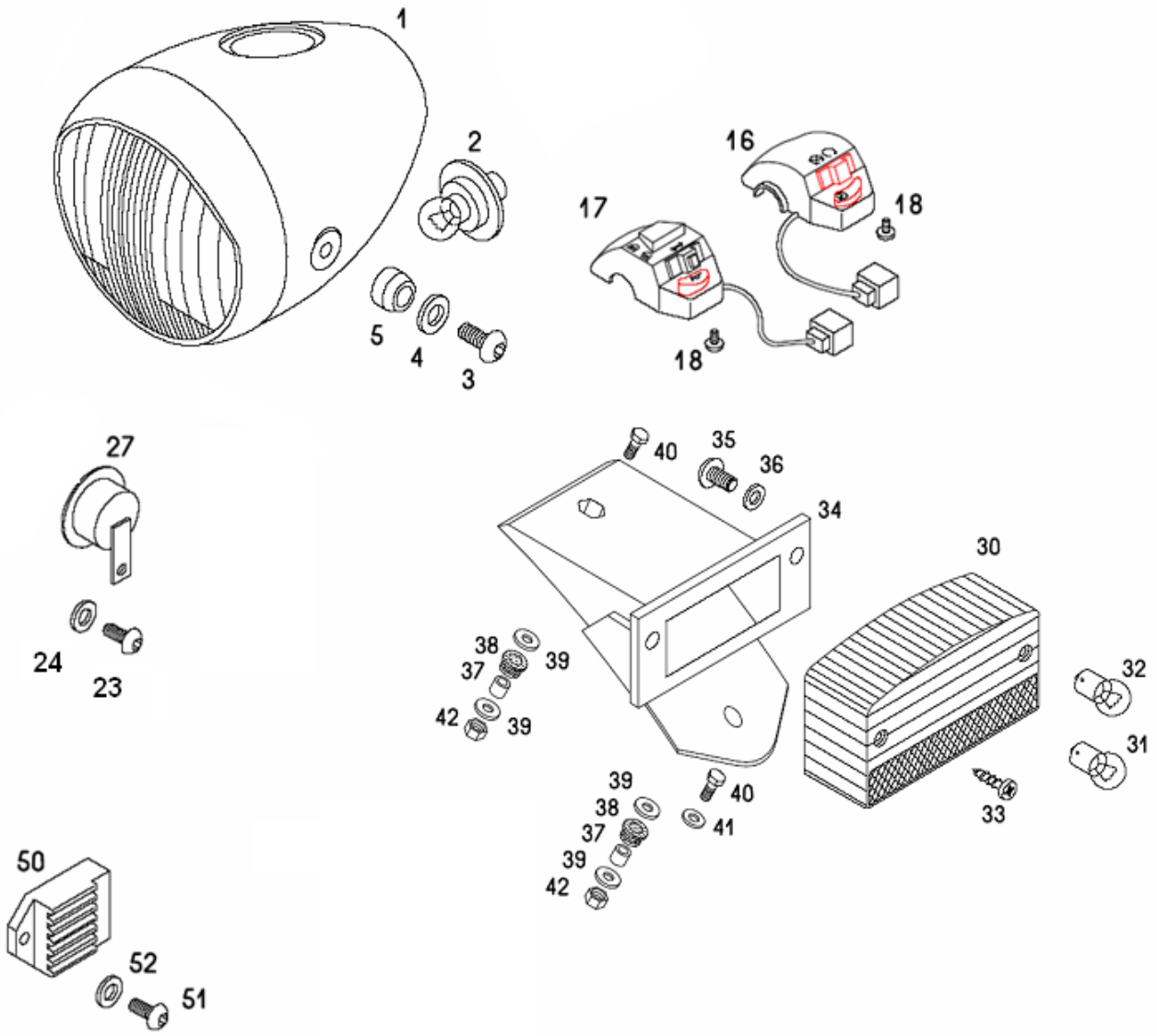


# REAR WHEEL



No.	*	Part No.	Denomination	B	C	E
1	1	237187	REAR WHEEL CPL.	1	1	1
1	2	237038	REAR WHEEL WITH TYRE	1	1	1
3		233197	REAR BRAKE PLATE-silver (with parts 4-11)	1	1	1
4		229740	BRAKE SHOE - PAIR	pair	pair	pair
5		229741	SPRING	2	2	2
6		227114	RUBBER PLUG	2	2	2
7		229743	BRAKE CAM	1	1	1
8		229684	BRAKE LEVER	1	1	1
9		031509	WASHER 6	2	2	2
10		031075	NUT M6	2	2	2
11		222581	BOLT	1	1	1
12		230515	REAR WHEEL AXLE	1	1	1
13		222569	DISTANCE TUBE	1	1	1
14		044225	BALL BEARING 12X32X10(6201-2Z)	2	2	2
15		222883	DISTANCE TUBE	1	1	1
16		209277	NUT M11x1	2	2	2
17		227450	WASHER 11	2	2	2
18	1	222586	SPOCKET T22	1	.	.
18	2	231349	SPOCKET T33	.	1	1
18	3	236838	SPOCKET T26	.	.	.
19		222583	LOCKING TAB FOR REAR WHEEL	1	1	1
19		222583	LOCKING TAB FOR REAR WHEEL	1	1	1
20		026304	SCREW M7X25	4	4	4
21		031076	NUT M7	4	4	4
22		232733	SPOKEN WITH NIPPLE (L=149)	36	36	36
23		217137	FRONT RIM 1.20 X 16	1	1	1
24		044926	RUBBER INSERT RING 2 1/4 -16	1	1	1
25		044925	INNER TUBE 2 1/4 - 16	1	1	1
26		227771	TYRE 2 1/4-16*38J black/white	1	1	1
27		207012	CHAIN (90 ROLLERS)	1	.	.
27		205348	CHAIN (95 ROLLERS)	.	1	.
27		201832	CHAIN (92 ROLLERS)	.	.	1
27		206499	CHAIN (91 ROLLERS)	.	.	.
28		229189	CHAIN MASTER LINK	1	1	1
.		221607	CHAIN WASHER LINK	.	.	1
29		209212	CHAIN TENSION ADJUSTER RH	2	2	2

# ELECTRIC PARTS



No.	*	Part No.	Denomination	B	C	D	E
1		237354	HEADLAMP (with part 2)	1	1	1	1
2		044704	BULB 12V 25/25W BA20D	1	1	1	1
3		033506	SCREW M5X30 (DIN 6921)	2	2	2	2
4		031509	WASHER 6	2	2	2	2
5		233719	BUSH	2	2	2	2
16		237346	SWITCH RIGHT WITH CABLE (EOP)	1	1	1	1
17		237347	SWITCH LEFT WITH CABLE (EOP)	1	1	1	1
18		232859	SCREW M5X22 black	4	4	4	4
-		237337	CABLE WEB FRONT	1	1	1	1
-		236978	CABLE WEB REAR	1	1	1	1
23		026706	SCREW M6X12(ISO 7380)	2	2	2	2
24		031509	WASHER 6	2	2	2	2
27		237179	HORN	1	1	1	1
30		223572	REAR LAMP (with parts 31 and 33)	1	1	1	1
31		044698	BULB 12V 5W	1	1	1	1
32		044689	BULB 12V 10W	1	1	1	1
33		044439	SCREW ST 3,9x16	2	2	2	2
34		227298	REAR LAMP HOLDER	1	1	1	1
35		026690	SCREW M6X16(ISO 7380)	2	2	2	2
36		031509	WASHER 6,4	2	2	2	2
37		222187	DISTANCE BUSH L=7,5mm	1	1	1	1
38		219946	RUBBER INSERT PIECE	2	2	2	2
39		031925	WASHER d6,3xD18	4	4	4	4
40		044284	SCREW M6X22	2	2	2	2
41		217674	WASHER 6,4 D16	1	1	1	1
42		030040	NUT M6 SELFLOCKING	2	2	2	2
50		230844	WOLTAGE REGULATOR	1	1	1	1
51		026689	SCREW M6X14 (ISO 7380)	1	1	1	1
52		031845	WASHER B6	1	1	1	1
52		031845	WASHER B6	1	1	1	1
51		026689	SCREW M6X14 (ISO 7380)	1	1	1	1
52		031845	WASHER B6	1	1	1	1



**TOMOS**



TOMOS D.O.O.  
MOTOINDUSTRIJA  
ŠMARSKA CESTA 4  
SLOVENIJA

TOMOS INC.  
202 BEECHTREE BLVD.  
GREENVILE, SC 29605  
USA

TOMOS NEDERLAND B.V.  
KWEKWEK 34 - 8161 PG EPE  
POSTBUS 172 - 8160 AD EPE  
NEDERLAND