



TOMOS STREETMATE

SPARE PARTS MANUALS



Contents

CRANKCASE, CYLINDER, PISTON.....	4
CRANKSHAFT, CLUTCH	6
COUNTERSHAFT, MAINSHAFT	8
STRARTER MECHANISM	10
MAGNETO ASSEMBLY, ELECTRIC STARTER	12
OIL PUMP, OIL TANK	14
CARBURATOR, INTAKE SILENCER	16
EXHAUST, SEAT	18
MUDGUARD, DECALS	20
FRAME, REAR FORK, CENTRAL STAND	22
RETANK, DECALS	24
FRONT FORK.....	26
HANDELBAR, SPEEDOMETER, MIRROR.....	28
FRONT WHEEL	30
REAR WHEEL.....	32
ELECTRIC PARTS.....	34

TYPE-MODEL 236260 A26BBC STREETMATE 45 Vin-nr. is denominated from 4 to 11. nr. for EU directive	MODELS A
--	---------------------------

LEGEND FOR ADDITIONALLY MARKED PARTS

a,b... option..(genuine parts)
 1,2... various parts, which have same part nr. as parts on group picture
 G base coat (ground coat) painted parts
 L color painted parts
 C chromed parts
 M optional parts (parts which are used for another type of motor vehicle)
 N unprotected parts (plastic parts)
 P parts used in case of need (not mandatory by Bill of Material-BOM)
 Z Interchangeable parts (parts which could be used instead of listed parts in case listed ones are not on stock)

PAINTED PARTS (PROTECTED) PARTS

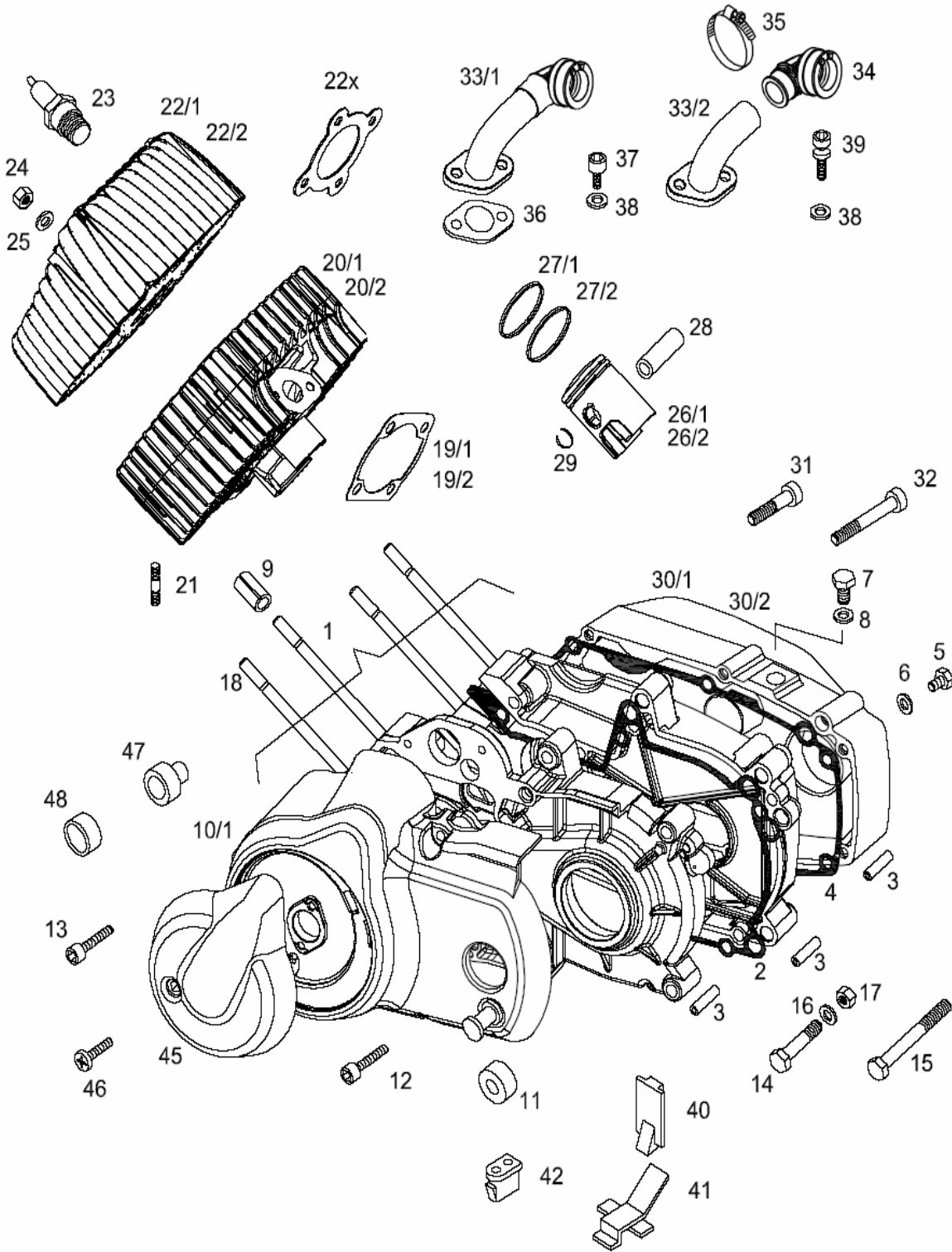
241000LAK – color painted parts; please provide information of color
 241000X91 – black painted parts; black-temperature resistant color
 241000C51 - chromed - lights

EXAMPLE FOR CHANGE

01/00 do - parts was built on vehicle till januar 2000
 11/01 od - parts we built on vehicle from november 2001

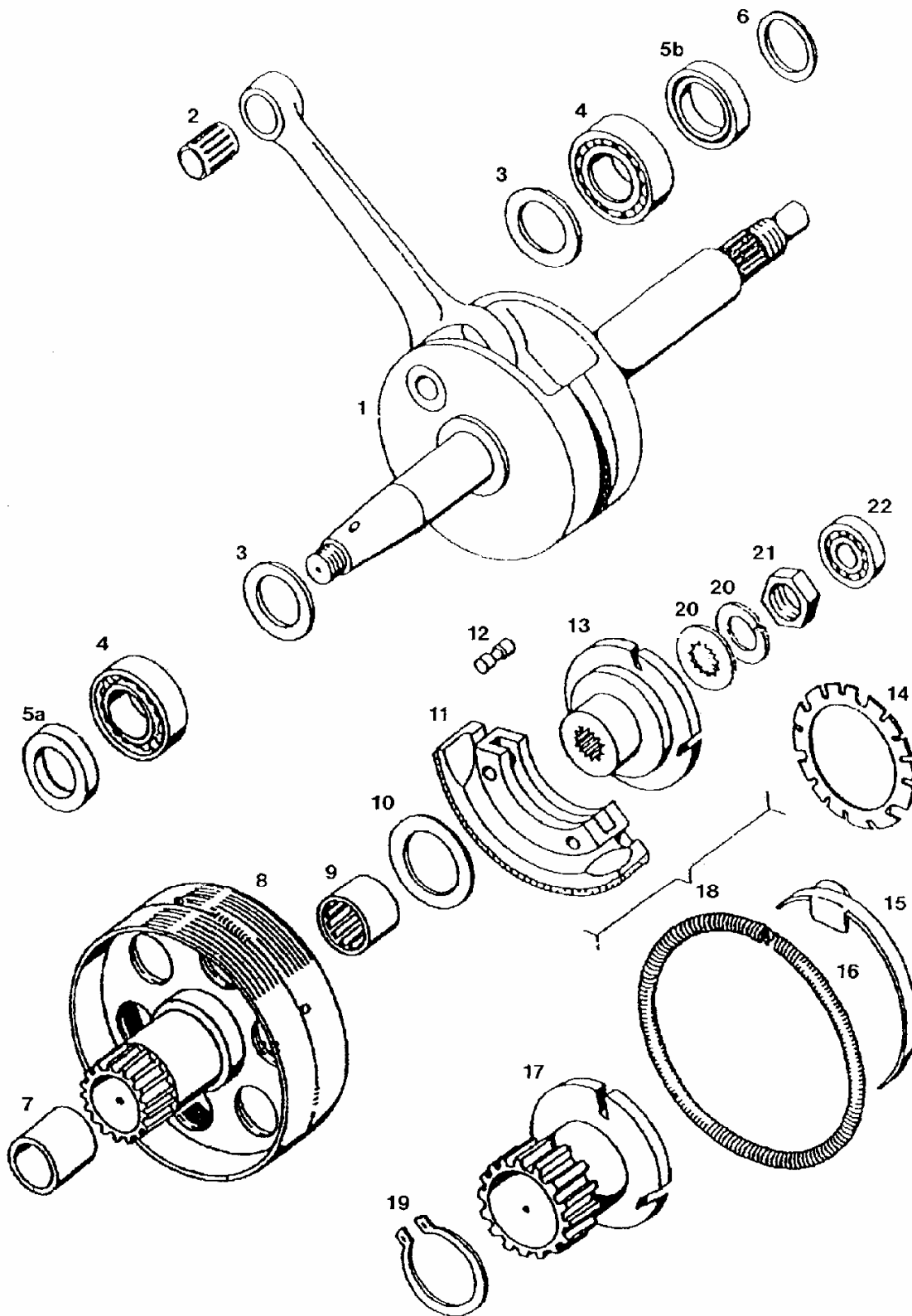
Colour code	Typ of protection	Colour	Colour	Colour tone	RAL similar
LAK	all	all	ALL		
GRU	basis	gray	gray		
KOM	all	combin.	combin.		
M71	metal	silver	silver	standard	9006
S91	normal	black	black	standard	9017
S92	normal	black	black	mat	9017
S01	normal	white	white	standard	9003
C51	CROMED	BLU	Cr	LIGHT	
Z51	ZINCED	BLU	Zn	LIGHT	

CRANKCASE, CYLINDER, PISTON



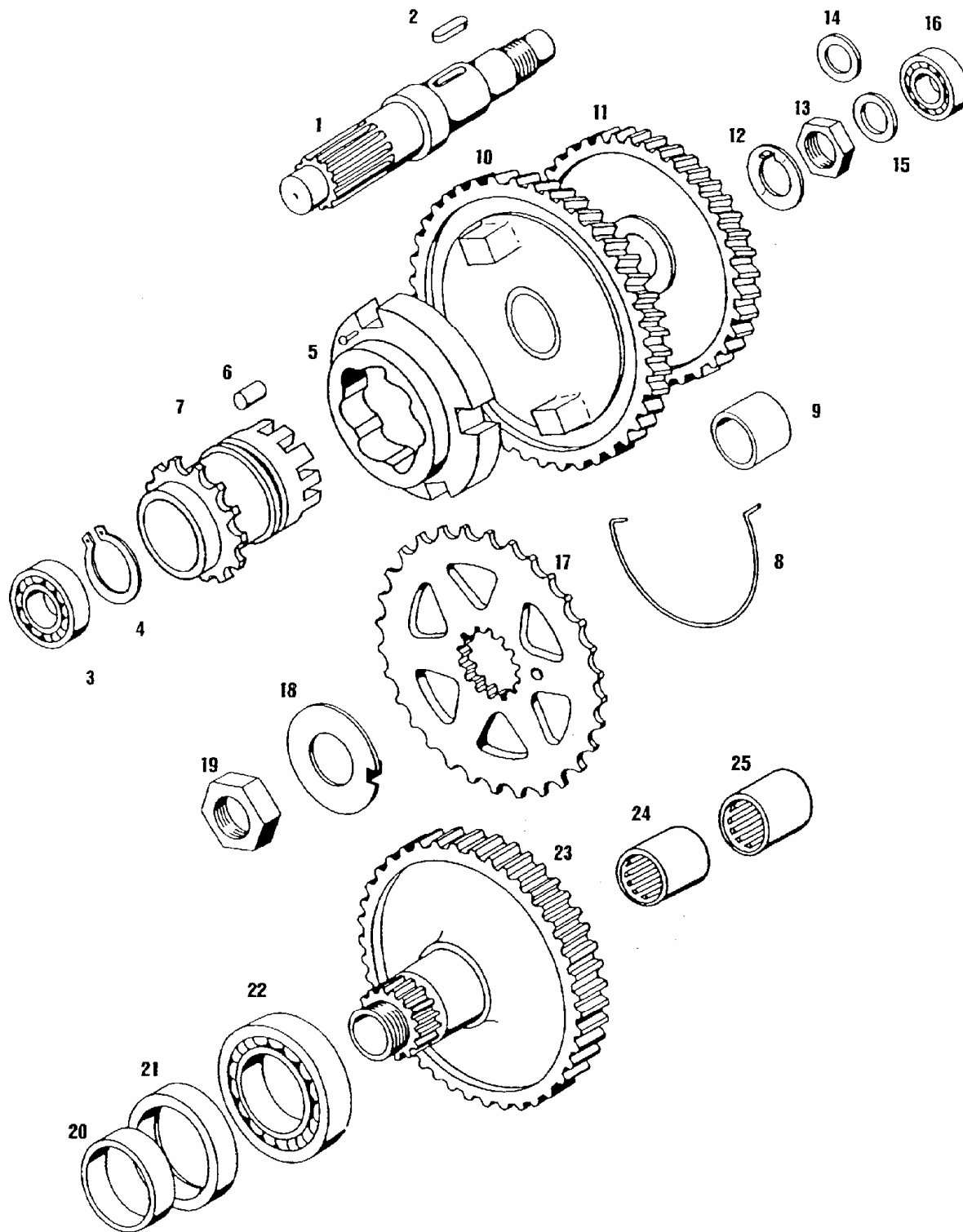
No.	*	Part No.	Denomination	A
		237073	ENGINE 45 km/h-BLACK	1
			CRANKCASE-CPL (with parts 2-8,18,60,47 and	
1	1	230940	bearings)	1
2		222098	CRANKCASE GASKET	1
3		223440	CENTERING BUSH 9,8X16	6
4		232971	RIGHT COVER GASKET	1
5		027264	SCREW M6X10	1
6		230172	SEAL RING A6X12	1
7		026311	SCREW M8X10	2
8		230173	SEAL RING A8X14	2
9		233718	ELASTIC PIN 8x16	1
10		230966	MAGNETO COVER BLACK	1
11		200294	RUBBER RING	1
12		026593	ALLEN SCREW M6X25	2
13		026636	ALLEN SCREW M6X40	1
14		026041	SCREW M8x1X90	2
15		026043	SCREW M8x1X80	2
16		031933	WASHER 8	5
17		030049	NUT M8X1-SELFLOCKING	4
18		233716	CYLINDER STUD BOLT M7/M8X115	4
19		233714	CYLINDER GASKET-0,4 mm	1
20		233711	CYLINDER WITH PISTON A56-B CPL	1
21		208201	STUD BOLT	2
22		233702	CYLINDER HEAD	1
23		044617	SPARK PLUG BR8ES, B.SUPER FE80R	1
24		236639	NUT M6-8 DIN 986 A2F-SELFLOCKING	4
25		031509	WASHER 6	4
26		233709	PISTON A56-B (with parts 27-29)	1
27		233707	PISTON RING- UPPER	1
27		233708	PISTON RING- BUTTOM	1
28		233762	WRIST PIN 12 mm	1
29		233763	SPRING CIRCLIP 12 mm	2
30		233717	CYLINDER HEAD GASKET A56-0,25	1
31		026573	ALLEN SCREW M6X25	14
32		026582	ALLEN SCREW M6X65	1
33		233721	INTAKE MAINFOLD	1
36		233715	INTAKE MAINFOLD GASKET	1
37		026690	SCREW M6X16 (ISO7380)	2
38		031932	WASHER 6	2
40		230812	BARRIER PIPE- UPPER	1
41		230968	BARRIER PIPE- BUTTOM	1
42		230811	RUBBER	1
45		230792	OIL PUMP COVER -PLASTIC	1
46		027271	SCREW M5X30	1
47		230793	CRANKCASE BUSH	1
48		230794	COVER BUSH	1
		236459	GASKET SET A56	1

CRANKSHAFT, CLUTCH



No.	*	Part No.	Denomination	A
1		223421	CRANKSHAFT - A35	1
2		035548	NEEDLE BEARING 12X15X15	1
3	P	212957	SHIM 0,10MM	1
3	P	212958	SHIM 0,15MM	1
3	P	212959	SHIM 0,20MM	2
4		035070	BALL BEARING 6203 C3	2
5		036555	SEAL RING A17X35X7	1
6		223468	THRUST WASHER 14X20X2	1
7		223470	BEARING BUSH	1
8		223423	GEAR WITH DRUM CPL. - A35	1
9		035554	ROLLER CLUTCH	1
10		209073	SHIM 0,30MM	1
10	P	209119	SHIM 0,50MM	1
11	1	223432	CLUTCH SEGMENT 1ST. GEAR	3
11	2	223562	CLUTCH SEGMENT 2ND. GEAR	3
12		223434	CLUTCH PIN	6
13		223429	CLUTCH HUB 1ST. GEAR	1
14		209002	SPRING PLATE	1
15		209039	BRAKE STRIP	6
16	1	209013	CLUTCH SPRING	1
16	2	223769	CLUTCH SPRING	1
17		223435	DRIVE GEAR (2.ND GEAR)	1
18		223436	CLUTCH CPL. 2.ND GEAR (REV	1
18		227849	CLUTCH CPL. 1ST. GEAR (REV	1
19		032083	CIRCLIP	1
20	Z	031848	SPRING RING B10	1
20		031978	THRUST WASHER B10	1
21		215487	NUT M10X1	1
22		035202	BALL BEARING 608	1
		227459	CONNECTING ROD CPL. (12MM)	.

COUNTERSHAFT, MAINSHAFT



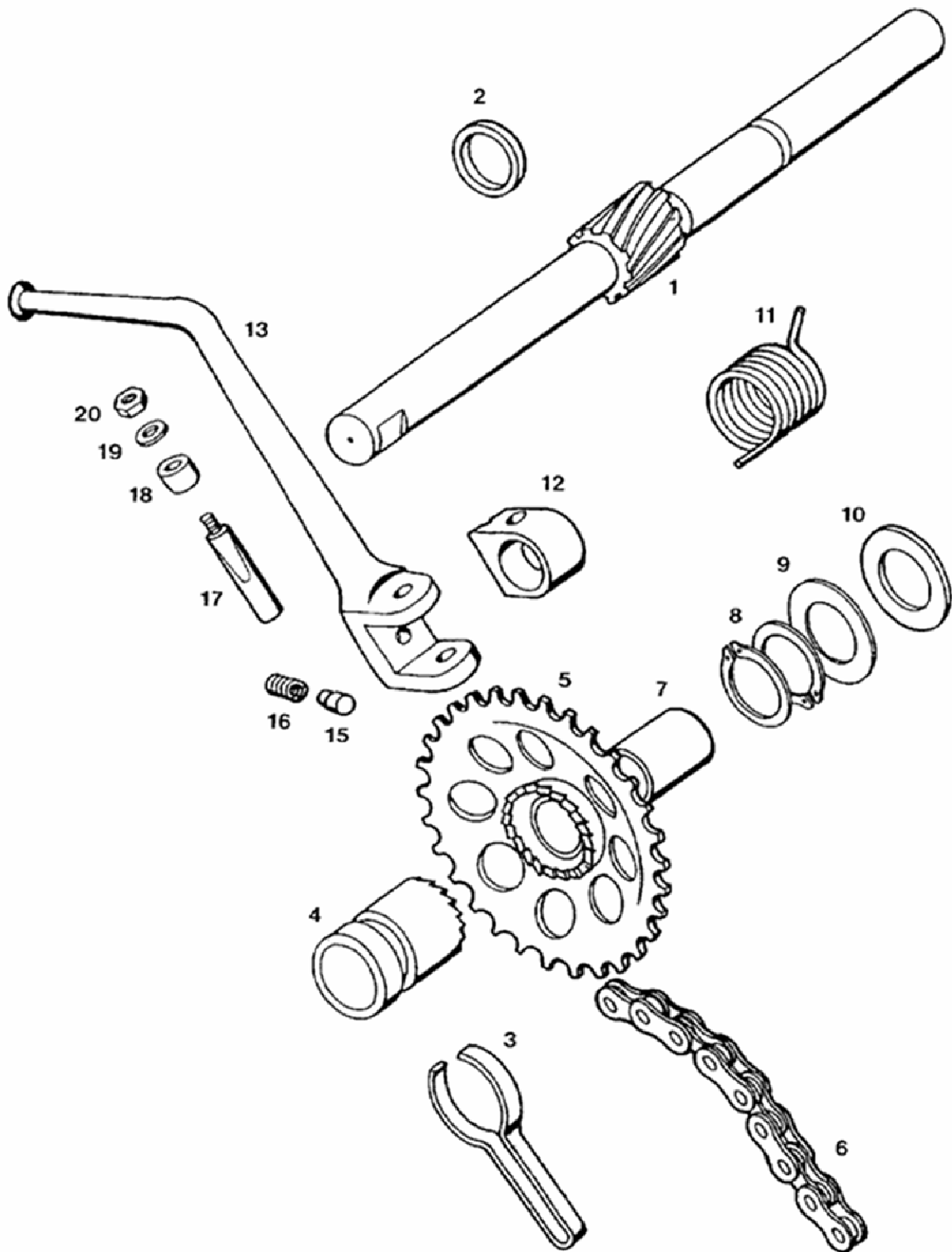
No.	* Part No.	Denomination	A
-----	------------	--------------	---

Tomos reserves the right to make modification without notice.

A26BBC STREETMATE 45Spare parts manuals

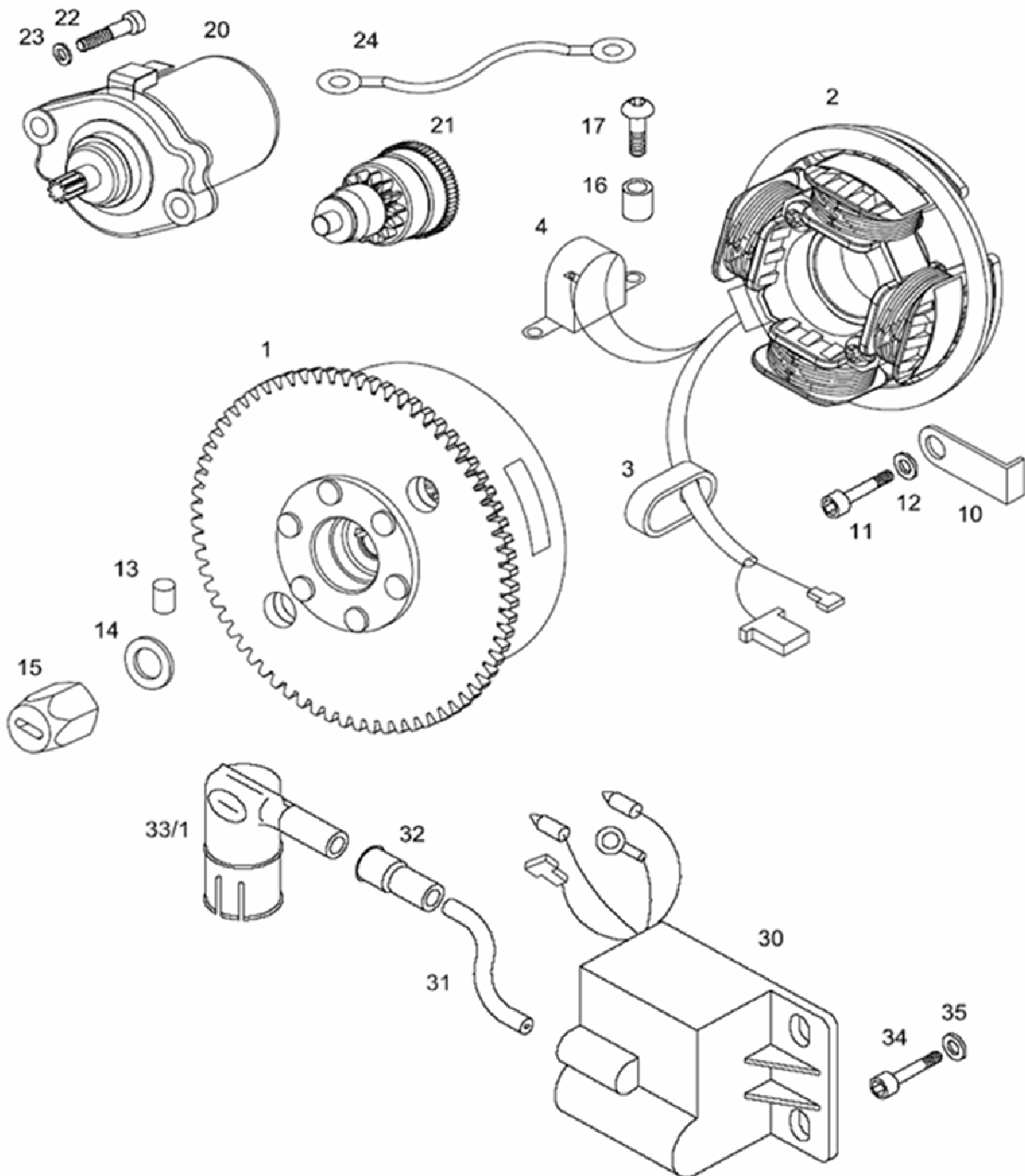
1		223458	COUNTERSHAFT	1
2		044835	WOODRUFF KEY 5X5X12	1
3		035072	BALL BEARING 6201	1
4		032077	CIRCLIP	1
5		223463	CAGE	1
6		209063	ROLLER D5X8	8
7		222209	CAGE	1
8		223121	COUNTERSHAFT SPRING	1
9		035600	BEARING BUSH	1
10		227194	1ST. SPEED GEAR - A35	1
11		223461	2ND. SPEED GEAR - A35	1
12		209062	PROTECTIVE WASHER	1
13		200141	NUT M14X1	1
14		223469	THRUST WASHER 2,0MM	1
15	P	209075	SHIM 0,20MM	1
15	P	209076	SHIM 0,50MM	1
16		035031	BALL BEARING 6000	1
17		209078	FRONT SPROCKET Z=26	1
18		209079	PROTECTIVE WASHER	1
19		209080	NUT M22X1	1
20		209077	DISTANCE BUSH	1
21		036620	SEALING RING A35X47X7	1
22		035037	BALL BEARING 6006	1
23		223456	DRIVE SHAFT CPL. - KICK	1
24		035502	NEEDLE BEARING SCE 109P	1
25		035503	NEEDLE BEARING SCE 108	1
30		033006	O RING	1
31		033007	O RING	1

STRARTER MECHANISM



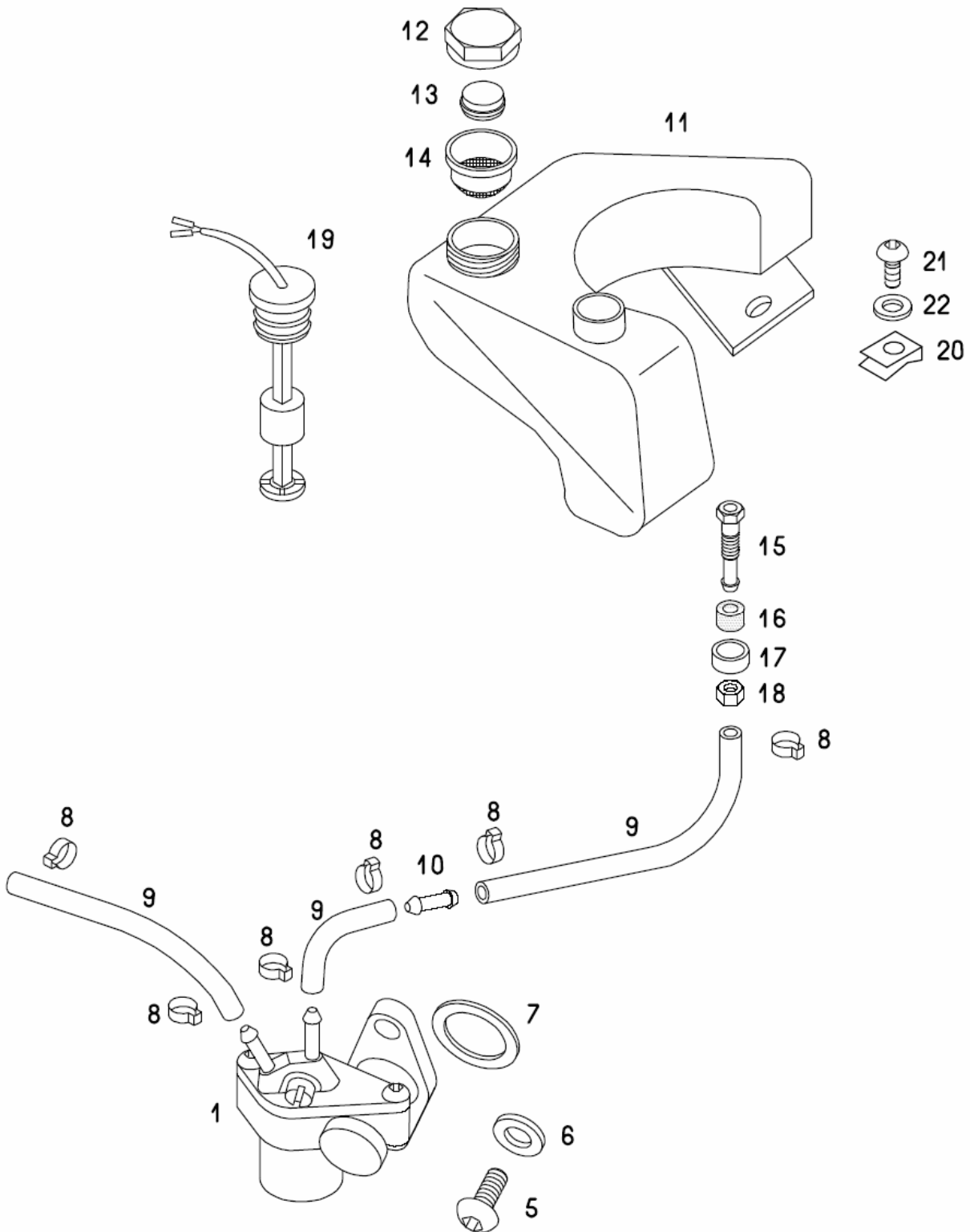
No.	*	Part No.	Denomination	A
1		223447	STARTER SHAFT	1
2		205702	THRUST WASHER	1
3		209048	BRAKE SPRING	1
4		209047	CLAW COLLAR	1
5		217584	CHAIN SPROCKET Z=25	1
6		217582	CHAIN (32 ROLLERS)	1
7		223448	DISTANCE BUSH	1
8		032073	STARTERSHAFT RING 16	2
9		206391	SHIM 0,50MM	1
10	P	209087	SHIM 0,02MM	3
10	P	200175	SHIM 0,50MM	1
		237189	KICK START LEVER CPL. (with parts 11 to 20)	1
11		223473	KICK START RETURN SPRING	1
12		221406	HUB	1
13		221405	KICK START LEVER	1
15		260216	THRUST BOLT	1
16		260217	KICKSTART SPRING	1
17		202726	KICKSTART PIN	1
18		202723	DISTANCE BUSH	1
19		202727	WASHER 7,4X14X2	1
20		031076	NUT M7	1

MAGNETO ASSEMBLY, ELECTRIC STARTER



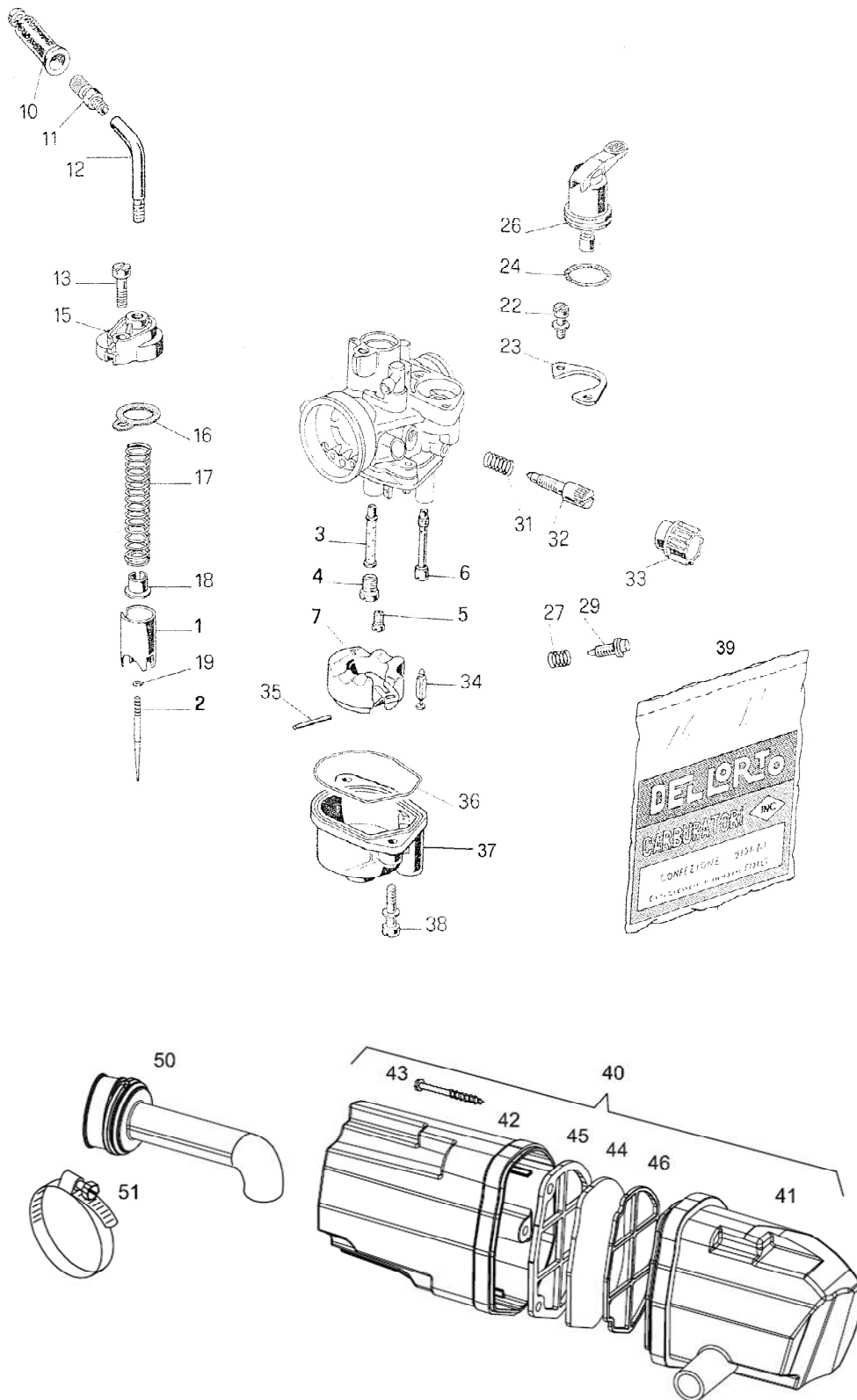
No.	*	Part No.	Denomination	A
		233720	MAGNETO ASSEMBLY CPL. (with parts 1- 4)	1
1		243101	FLYWHEEL	1
2		243100	BASE PLATE CPL.	1
3		224196	RUBBER INSERT PIECE	1
4		243102	PICK UP	1
10		230916	CLIP	1
11		026657	ALLEN SCREW M5x15	2
		291346	LOCTITE 243	.
12		031508	WASHER M5	2
13		200048	ROLLER D3x4	1
14		229918	WASHER d10,4 D 17,5 s 1,2	1
15		230813	OIL PUMP NUT M10x1	1
16		233719	DISTANCE TUBE	2
17		236389	SCREW FOR PICK UP	2
20		237133	ELECTRICAL STARTER 12v 170w	1
21		237134	STARTER GEAR	1
22		026707	SCREW M6x20	2
23		031845	WASHER M6	2
24		232967	GROUND WIRE	1
30		233729	ELECTRONIC	1
31		044528	SPARK PLUG CABLE (430mm)	m
32		210175	RUBBER PROTECTOR	1
33		206116	SPARK PLUG CAP	1
34		026701	SCREW M5x12 (ISO 7380)	2
35		031508	WASHER M5	2

OIL PUMP, OIL TANK



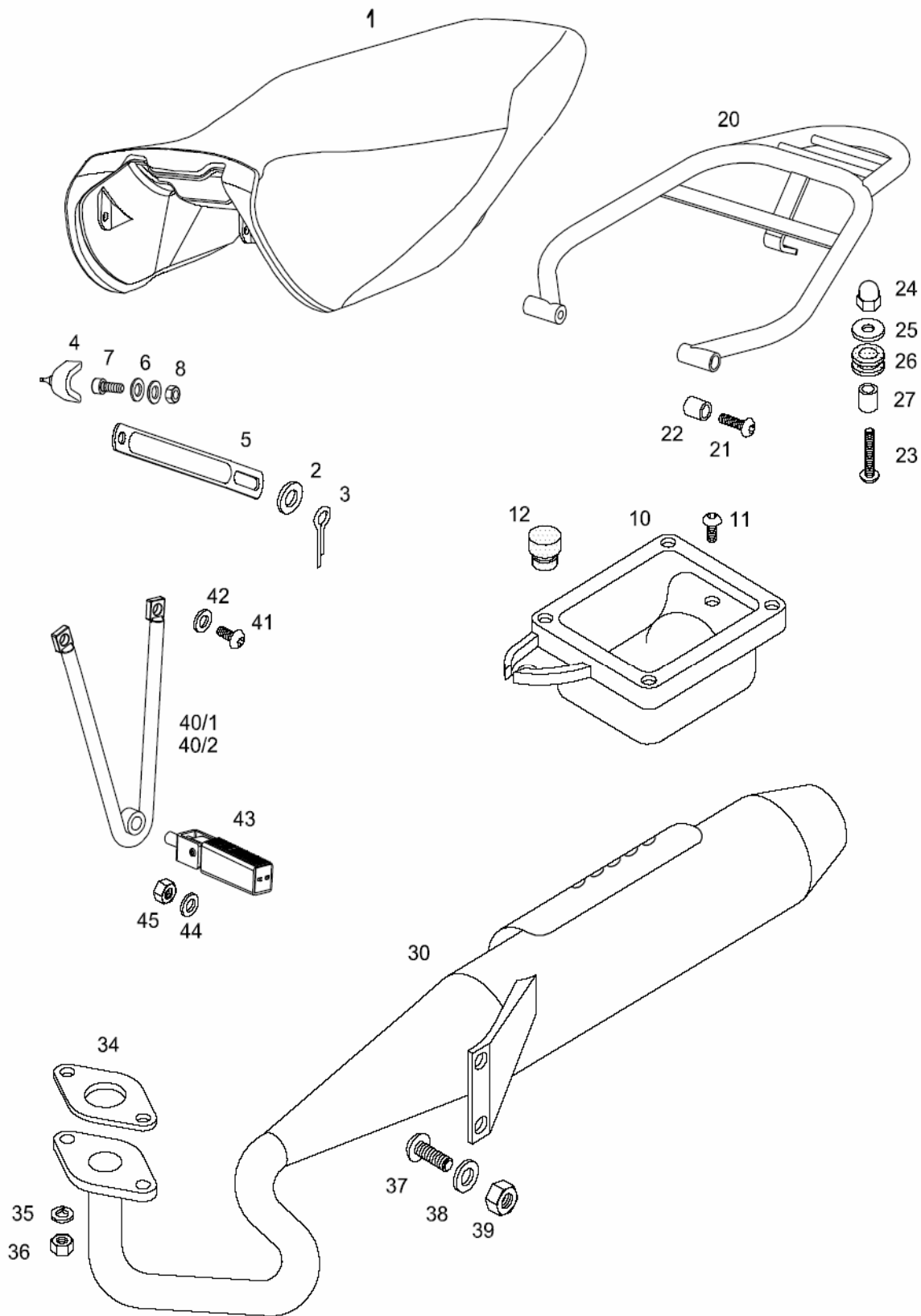
No.	*	Part No.	Denomination	A
1		236513	OIL PUMP	1
5		026697	SCREW M5x16	2
6		031867	LOCK WASHER B5	2
7	P	227393	WASHER d20xd24x0,5	1
8		217313	FERRULE	3
9		044472	OIL LINE (per unit) 320mm	m
10		233116	OIL LINE	1
11		232746	OIL TANK	1
12		208389	OIL TANK CAP	1
13		217321	INSERTED PIECE	1
14		217322	OIL FILTER	
15		217319	BANJO	1
16		227499	RUBBER GASKET	1
17		227498	SEALING DISC	1
18		031075	NUT M6	1
19		236269	OIL LEVEL SENSOR	1
20		226285	NUT M6	1
21		026697	SCREW M5x16	1
22		031922	WASHER 5	3
23		044419	SCREW ST 4,2x16	2

CARBURATOR, INTAKE SILENCER



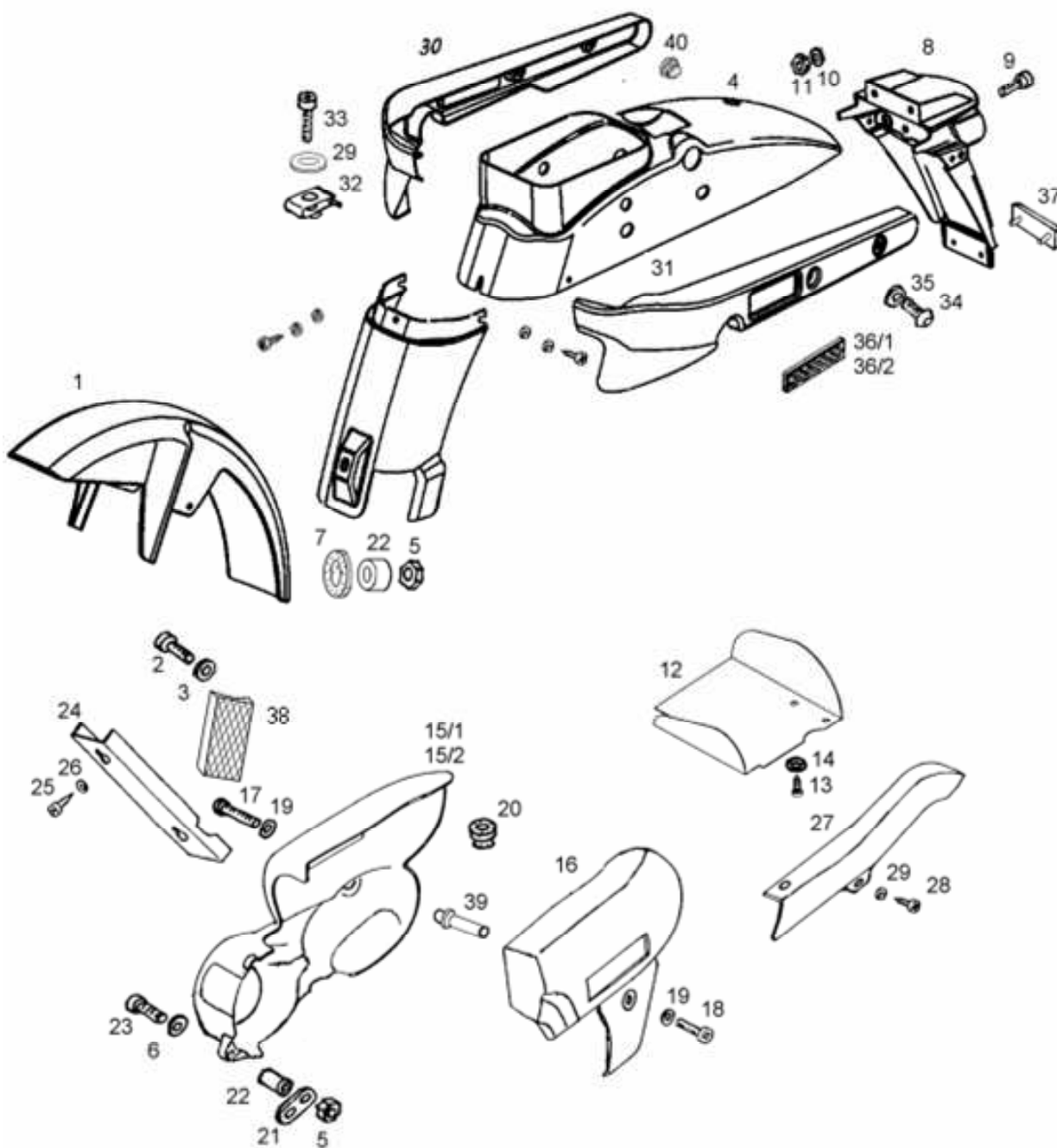
No.	*	Part No.	Denomination	A
		233730	CARBURATOR DELL'ORTO PHVA 14 (with parts 1-38)	1
1		243103	THROTTLE VALVE 40	1
2		243104	NEEDLE A07	1
3		243106	JET 209 GA	1
4		243160	MAIN JET 55	1
5		243222	FLOAT VALVE 25	1
6		243162	CHOKE LEVER 40	1
7		243149	FLOAT CPL (with parts 7,34,35)	1
			CABLE GUIDE TUBE CPL (with parts	
12		243152	10,11,12,13,15,16)	1
17		243120	THROTTLE VALVE SPRING	1
18		243121	NEEDLE HOLDER	1
19		243122	FLOAT CHAMBER	1
26		243151	CHOKE MECHANISM CPL (with parts 22,23,24,26)	1
29		243147	AIR CONTROL SCREW CPL (with parts 29,27)	1
32		243148	ADJUSTING SCREW CPL (with parts 31,32,33)	1
37		243150	FLOAT CHAMBER CPL (with parts 36,37)	1
38		243134	FLOAT CHAMBER SCREW	2
39		236460	GASKET SET	1
40		233740	INTAKE SILENCER (with parts 41-46)	1
41		233744	REAR SILENCER COVER	1
42		233743	FRONT SILENCER COVER	1
43		233747	SCREW ST 4,8X60	3
44		233741	AIR FILTER	1
45		233745	FRONT FILTER SUPPORT	1
46		233746	REAR FILTER SUPPORT	1
50		233748	INTAKE PIPE	1
51		221584	CLAMP 32-50	2

EXHAUST, SEAT



No.	*	Part No.	Denomination	A
1		236263	SEAT	1
2		031510	WASHER 8	2
3		034027	SPRING 2X12	2
4		236384	SEAT RUBBER	2
5		236396	LUGGAGE BOX	2
6		031933	SCREW M6X10 (ISO 7380)	6
7		026591	RUBBER BUSH	2
8		030049	NUT M8-SELFLOCKED	2
10		232735	TOOL TRAY (REVIVAL)	1
11		026705	SCREW	3
12		200516	RUBBER BUSH	4
20		242170C51	LUGGAGE CARRIER	1
21		026696	SCREW M6X50 (ISO 7380)	1
22		202723	DISTANCE BUSH	2
23		026692	SCREW M6X25 (ISO 7380)	1
24		031509	WASHER 6	1
25		031926	WASHER 8	1
26		223699	RUBBER TUBE	1
27		232747	DISTANCE TUBE	1
30	1	233724	EXHAUST A26-B	1
		242153S91	EXHAUST GUARD	1
		026705	SCREW	3
		031509	WASHER 6	2
34		227149	EXHAUST GASKET	1
35		031845	SPRING RING B6	2
36		030020	CAP NUT M6	2
37		026704	SCREW M8X20 (ISO 7380)	2
38		031933	WASHER 8	4
39		030041	NUT M8-SELFLOCKING	2
40	1	242148S91	FOOTREST SUPPORT -RIGHT	1
40	2	242149S91	FUTTREST SUPPORT -LEFT	1
41		026702	SCREW M8X14	4
42		031933	WASHER 8	4
43		236373	FOOTTREST REAR- PAIR WITH PARTS 44,45	PAIR

MUDGUARD, DECALS

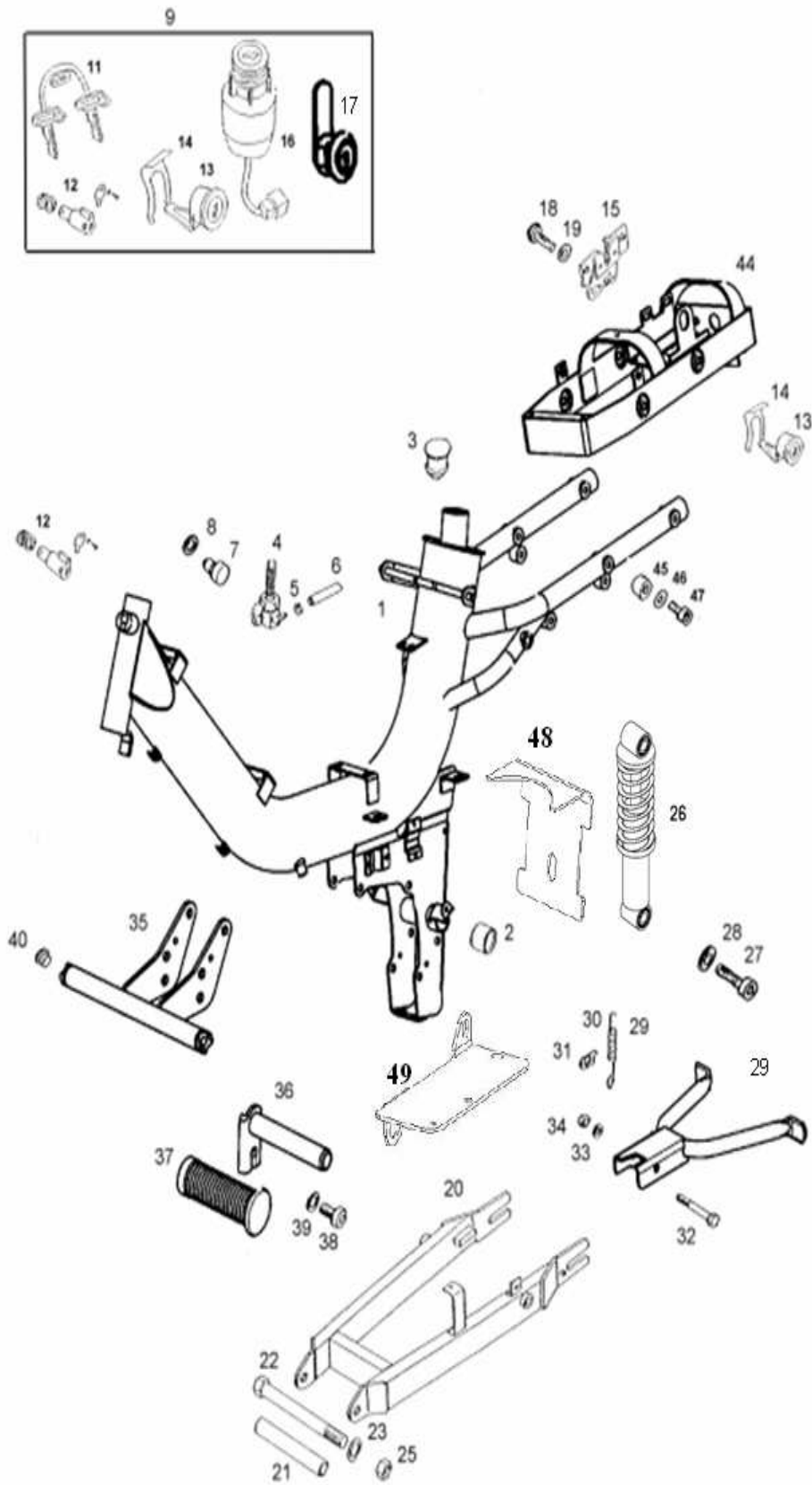


No.	*	Part No.	Denomination	A
-----	---	----------	--------------	---

A26BBC STREETMATE 45Spare parts manuals

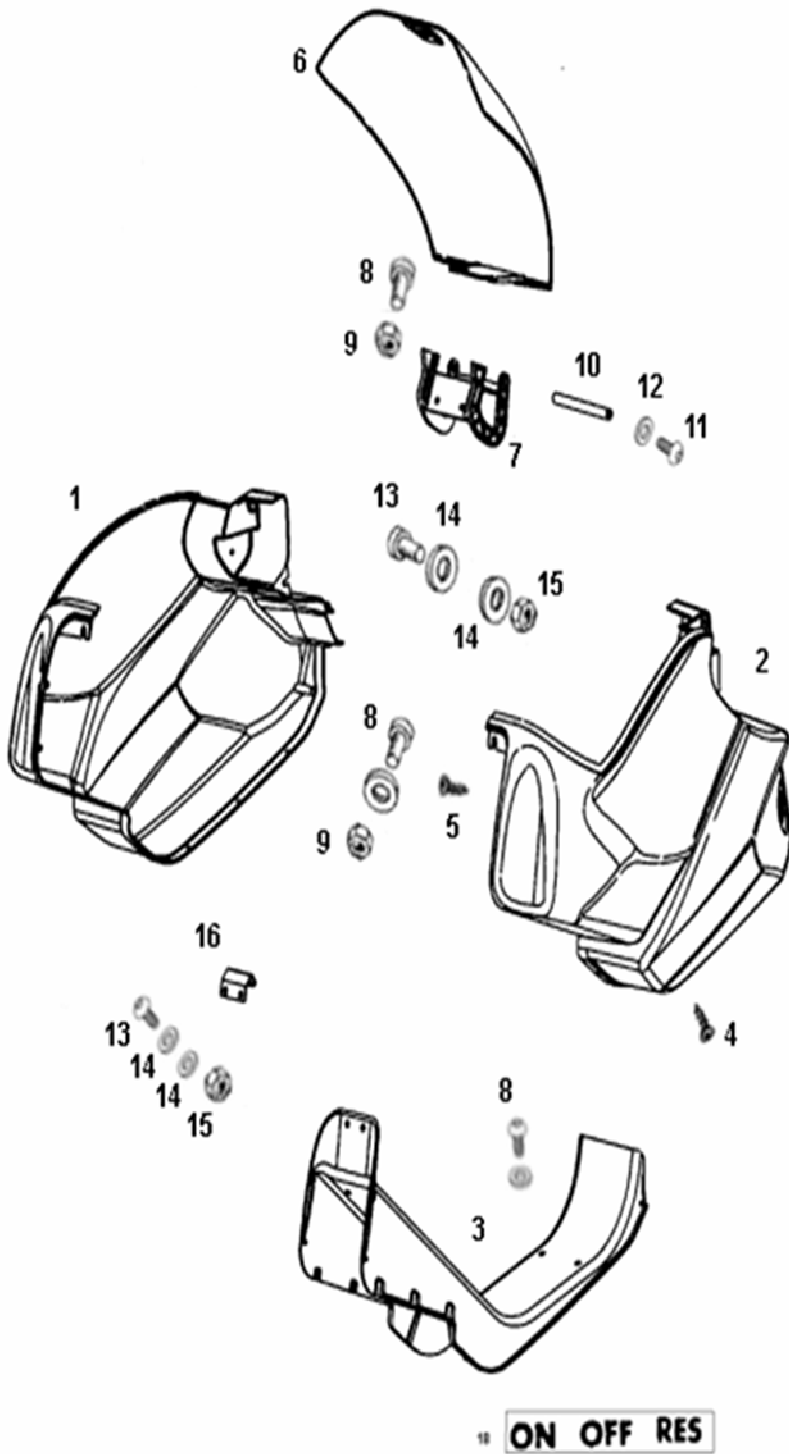
1		242167LAK	FRONT FENDER PAINTED	1
2		027265	SCREW M6X12	4
3		031509	WASHER 6	4
4		242168LAK	REAR FENDER PAINTED	1
5		030040	NUT M6-SELFLOCKING	2
6		031925	WASHER 6	2
7		219946	RUBBER	1
8		236316	TAIL LIGHT HOLDER (BLACK PLASTIC)	1
9		026704	SCREW M8X20 (ISO 7380)	2
10		031926	WASHER 8	6
11		030041	NUT M8-SELFLOCKING	2
12	L	242046S91	PROTECTOR PAINTED BLACK	1
13		044422	SHEET SCREW 4,8X13	2
14		031508	WASHER 5	2
15	1C	242083C51	RH SIDE COVER CROME	1
15	2C	242094C51	RH SIDE COVER CROMED	.
16		242084C51	LH SIDE COVER CROME	1
17		026696	SCREW M6X50 (ISO 7380)	1
18		026689	SCREW M6X14 (ISO 7380)	1
19		031925	WASHER 6	2
20		229728	RUBBER INSERT PIECE	4
21		230853	RH SIDE COVER SUPPORT	1
22		208326	DISTANCE TUBE (L=10,5MM)	1
23		026692	SCREW M6X25 (ISO 7380)	1
24		242313	CONTROL CABLE COVER PLAST	1
25		44438	SHEET SCREW 4,2X19	2
26		031930	WASHER 4	2
27		242085C51	CHAIN GUARD CROME	1
28		044422	SHEET SCREW 4,8X13	2
29		031922	WASHER 5	4
30	C	242184C51	RH REFLECTOR PANEL CROME	1
31	C	242185C51	LH REFLECTOR PANEL CROME	1
32		226285	NUT M6	2
33		026700	SCREW M5X10	2
34		026702	SCREW M8X14	4
35		031933	WASHER 8	4
36	1	226302	REFLECTOR AMBRA	2
36	2	232766	REFLECTOR RED	.
37		233122	REFLECTOR RED NEW STYLE	1
38		227121	FRONT REFLECTOR AMBRA	.
39		232949	DISTANCE TUBE	1
40		232665	RUBBER TAP	2
50		236272	REAR FENDER BLACK PLASTIC	1

FRAME, REAR FORK, CENTRAL STAND



No.	*	Part No.	Denomination	A
1		242349LAK	FRAME PAINTED	1
2		209141	BEARING BUSH	2
3		213953	GAS CAP	1
4		233727	FUEL FEED TAP (LEFT SIDE)	1
5		224056	SPRING CLIP 8	4
6		044531	FUEL LINE (PER UNIT)	m
7		232549	RUBBER STRIP	1
8		232553	SEAL RING	1
9		236397	SET OF LOKS WITH PARTS 11-17	1
11		232891	KEY (STEERING LOCK)	1
12		233198	STERING LOCK WITH PART 11	1
13		232893	SEAT LOCK WITH PART 11	1
14		232894	LOCK PROTECTION SEAT	1
15		232895	SEAT LOCK	1
16		232896	IGNITION SWITCH WITH KEY	1
17		236494	SWITCH HOLDER	1
18		026706	SCREW M6X12	2
19		31509	WASHER	2
20		242071LAK	REAR FORK PAINTED	1
21		209144	DISTANCE TUBE	1
22		237123	REAR FORK AXLE	1
23		31935	WASHER	2
25		030051	NUT M12X1,25	2
26		232713	SHOCK ABSORBER	2
27		26699	SCREW M10X35 (ISO 7380)	4
28		31934	WASHER 10	6
29		237153S91	KICKSTAND	1
30		200609	KICKSTAND SPRING	1
31		209143	SPRING CARRIER	1
32		26041	SCREW M8X1X70	1
33		31933	WASHER 8	1
34		30049	NUT M8X1	1
35		242198S91	SUPPORT BRACKET PAINTED BLACK	1
36		217174	FOOTPEG KPL WITH PARTS 36-37	2
36		206109	FOOTREST PAINT BLACK	2
37		202881	FOOTREST RUBBER	2
38		26698	SCREW M10X25	2
39		31848	WASHER B10	2
40		232805	SUPPORT BRACKET CAP D20/D15	.
44		242178S91	SEAT SUPPORT PAINTED	1
45		232748	DISTANCE TUBE D12D8L6.5	6
46		31510	WASHER 8	4
47		026591	SCREW M8 X20	4
48		237222	PROTECTION PLATE	1
49		237214	RELAY SUPPORT	1

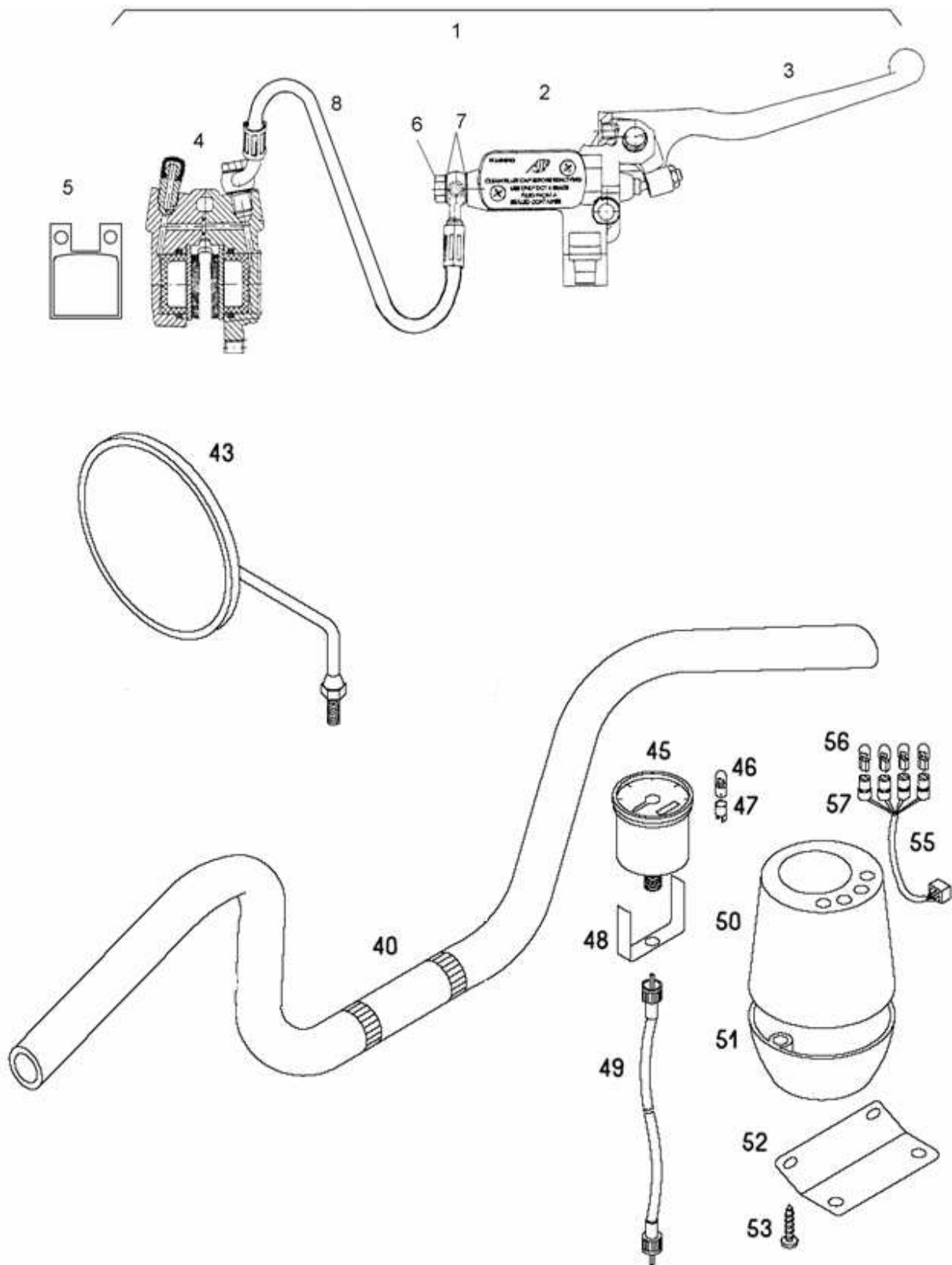
RETANK, DECALS



No.	*	Part No.	Denomination	A
1		242165LAK	TANK COVER RIGHT	1
2		242166LAK	TANK COVER LEFT	1
3		236279	PLASTIC DOWN	1
4		236458	SCREW KA30X14	16
5		236496	SCREW KA30X12	4
6		242169LAK	TANK COVER UP	1
7		236273	TANK COVER TUBE	1
8		027273	SCREW M6X14	3
9		033591	NUT M6-SELFLOCKED	3
10		236488	DISTANCE	1
11		033504	SCREW M5X14	2
12		031922	WASHER 5	2
13		026700	SCREW M5X10	2
14		031922	WASHER 5	4
15		033590	NUTM5	3
16		236391	LOCK PROTECTION	1
17		236271	DECAL" CPL SILVER BLU	1
18		222839	DECAL "'ON-OFF-RES' GOLD	1

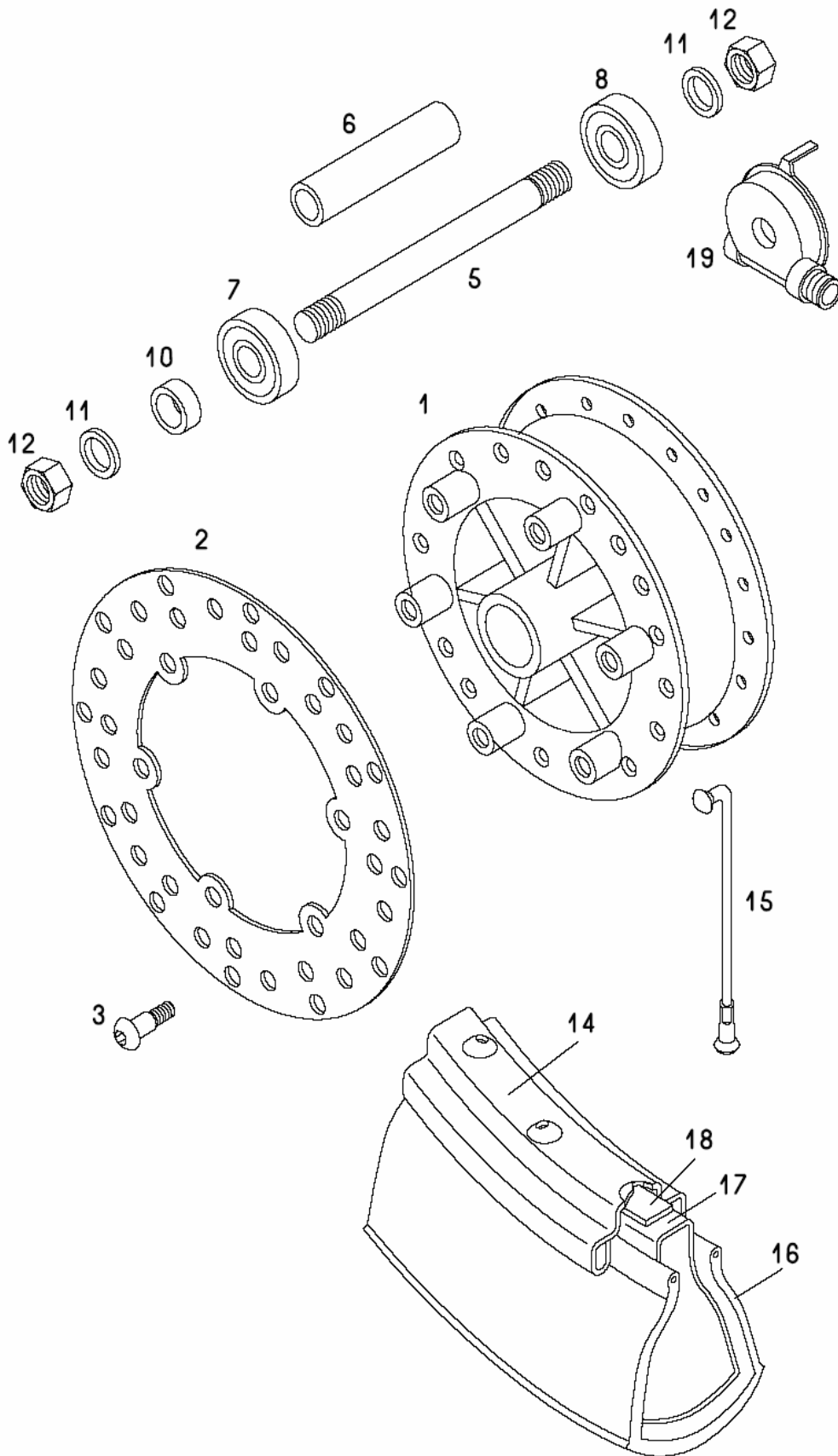
No.	*	Part No.	Denomination	A
		232792	FRONT FORK (with parts from 1 to 21)	1
1	L	243141	FORK BUTTOM RH	1
2	L		FORK BUTTOM LH	1
12		232968	CABLE SUPPORT	2
13	L	232907	FORK LUG	1
14		026683	SCREW M8X45	4
15		031077	NUT M8	4
16	L	232908	UPPER YOKE	1
17	L	232909	HANDLEBAR CARRIER	2
18		026646	SCREW M6X45	4
19		031075	NUT M6	4
20		219349	CROWN NUT	1
21		200714	STEERING BEARING CONE	1
-		230741	BEARING SET (with parts 21-30)	1
23		200714	STEERING BEARING CONE	1
24		200715	COVER (BRIGHT)	1
25		200717	GROOVED NUT	1
26	P	222848	WASHER (S= 2MM)	1
27		206701	WASHER (S= 0,7MM)	1
28		044535	BALL BEARING 5	42
29		223155	STEERING BEARING CUP (TOP)	1
30		223157	STEERING BEARING CUP (BOTTOM)	1

HANDELBAR, SPEEDOMETER, MIRROR



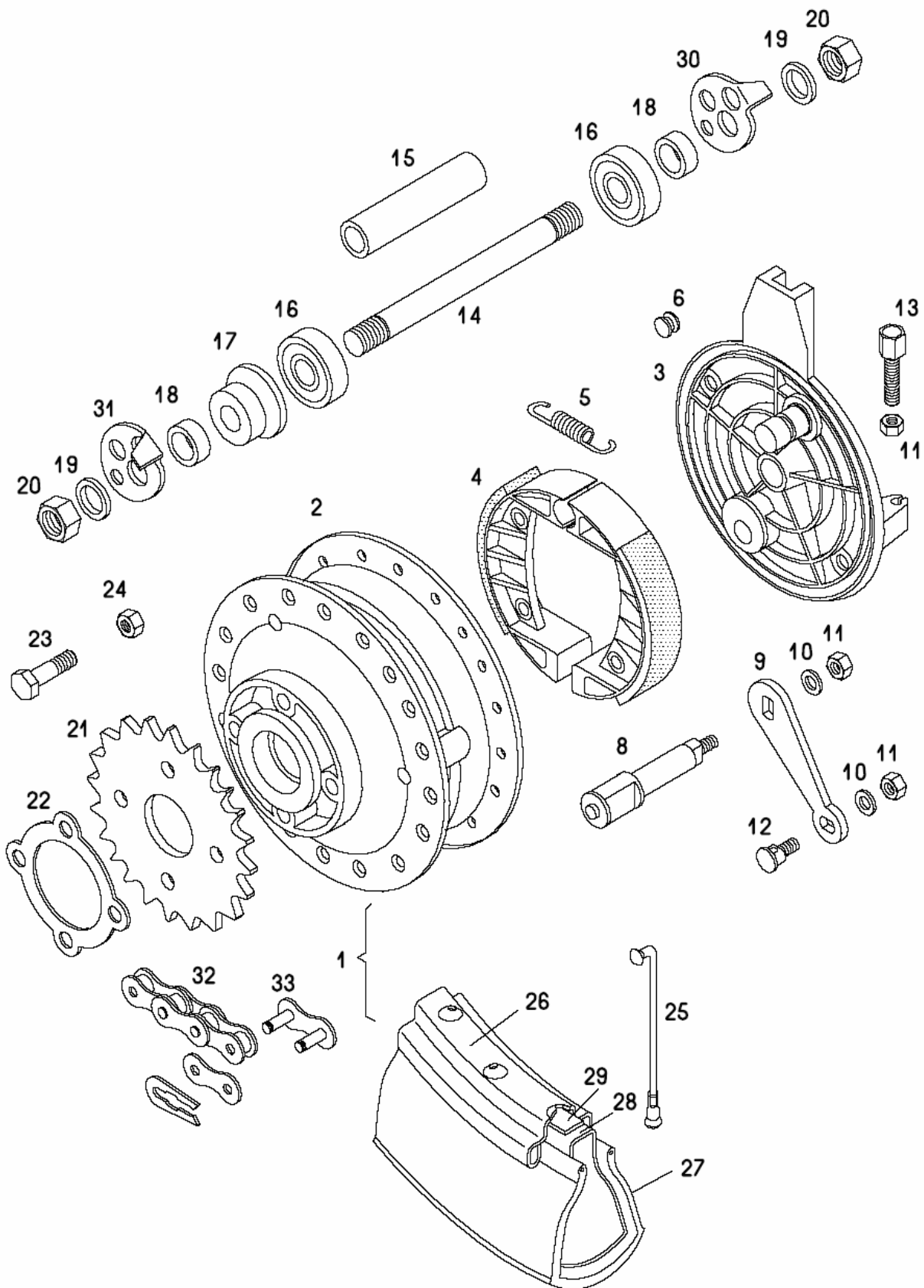
No.	*	Part No.	Denomination	A
1		236479	HYDRAULIC BRAKE CPL. (with parts 2 to 7)	1
3		243602	BRAKE LEVER RH	1
4		243137	CALIPER (with part 5)	1
5		243604	BRAKE PAD	2
6		243603	SCREW	2
7		243605	SEAL RING	4
8		243606	LINE	1
40	C	236416C51	HANDLEBAR	1
43		236968	LH MIRROR	1
45		234355	SPEEDOMETER- km/h (with parts 41-43)	1
46		213998	BULB 12V 2W BA7S	4
47		213999	BULB HOLDER	1
48		234357	SPEEDOMETER HOLDER	1
49		217664	SPEEDOMETER CABLE L=780 mm	1
50		233120	SPEEDOMETER HOUSING (with indicator lights)	1
51	C	242081C51	SPEEDOMETER HOUSING BOTTOM	1
52	C	242082C51	SPEEDOMETER HOUSING HOLDER	1
52		232799	SCREW PT*KA50x25	2
55		236729	SPEEDOMETER WIRING (with parts 26 and 57)	1
56		232763	BULB 12V-1.2W T5	4
57		227497	BULB HOLDER	4

FRONT WHEEL



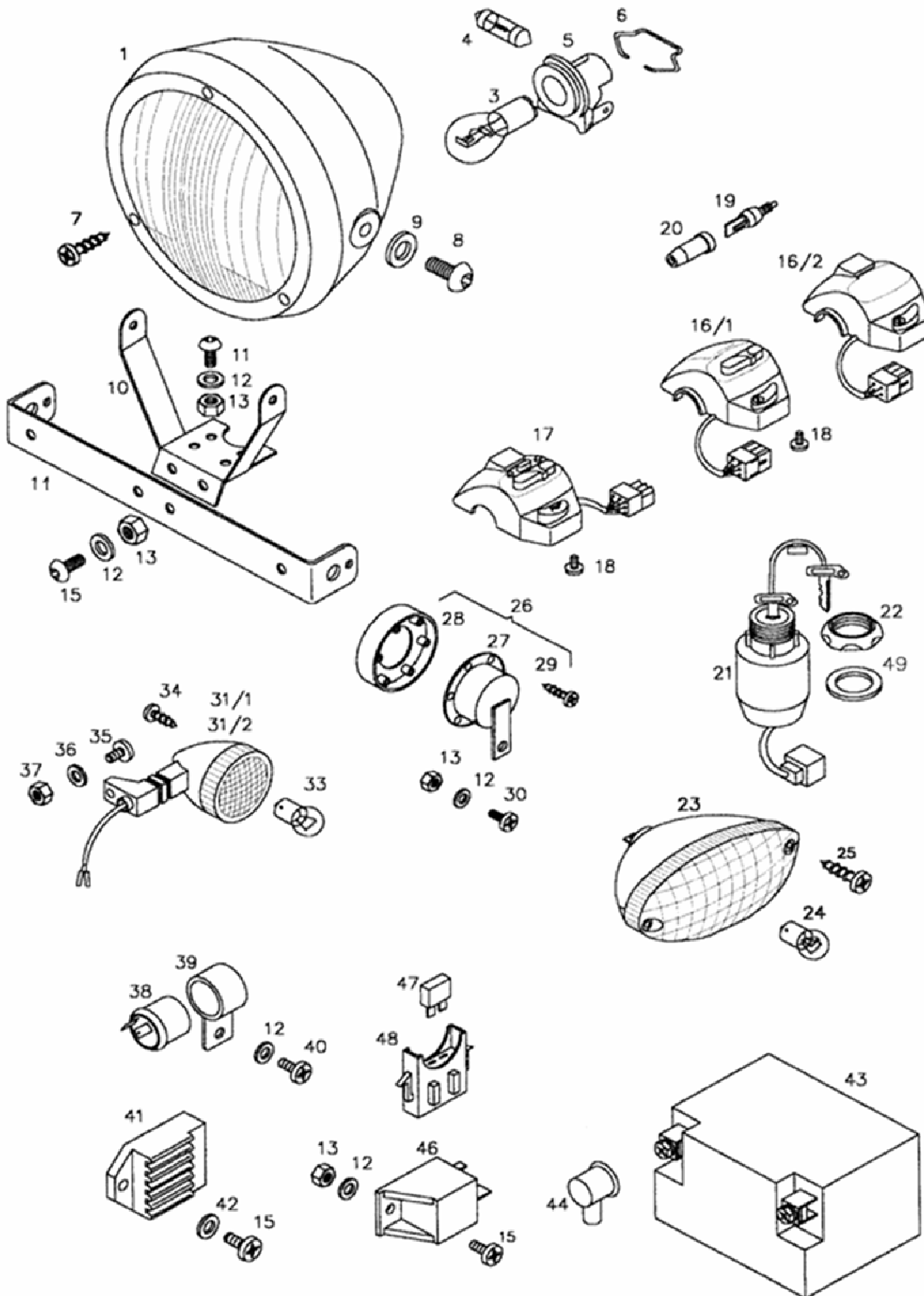
No.	*	Part No.	Denomination	A
		236478	FRONT SPOKE WHEEL CPL. 1-15	1
1		243165	FRONT HUB 1-12	1
2		243166	FRONT BRAKE DISC	1
3		243167	BRAKE DISC SCREW	6
5		232868	FRONT AXLE	1
6		243168	DISTANCE BUSH L=67.5	1
7		243169	BALL BEARING 12X32X10	1
8		243169	BALL BEARING 15X35X11	1
10			DISTANCE TUBE	1
11		031935	WASHER 12	2
12		031126	NUT M12X1,25	2
14		226797	FRONT RIM 1.50AX17	1
15		243170	SPOKE WITH NIPPLE (L=176)	36
16		236432	TIRE 2.3/4 17 *47J-MC 11	1
17		044969	TUBE 2 3/4-17	1
18		044926	RUBBERINSERT STRIP 2 1/4-16	1
19		232801	RH SPEEDOMETER DRIVE	1

REAR WHEEL



No.	*	Part No.	Denomination	A
			REAR WHEEL Z31 WITH PARTS 2-26 WITHOUT	
1		236395	PNEUM.	1
1		232928	REAR WHEEL HUBE -SILVER WITHOUT PNEUM.	-
2		232835	REAR BRAKE PLATE SILVER	1
3		233141	REAR BRAKE PLATE WITH PARTS(3- 13)	1
4	Z	229740	BRAKE SHOES (PAIR)	pair
4		230952	BRAKE SHOES (PAIR) - BERAL	pair
5		229741	SPRING	2
6		227114	CONTROL STOPPER	2
8		230954	INSAIDE BUSH	1
9		229684	BRAKE LEVER	1
10		031509	WASHER 6	2
11		031075	NUT M6	2
12		222581	CABLE CLAMP BOLT	1
13		230439	REGULATE SCREW M6X20	1
14		230515	WHEEL AXLE	1
15		222569	DISTANCE TUBE	1
16		44225	BALL BEARING 12X32X10	2
17		222883	DISTANCE BUSH	1
18		230668	DISTANCE TUBE	2
19		227450	WASHER 11	1
20		209277	NUT	1
21		237013	CHAIN SPROCKET	1
21		232937	CHAIN SPROCKET	-
22		222583	SAFETY SPROCKET COVER	1
23		26305	SCREW M7X35	4
24		31076	NUT M7	4
25		233147	SPOKE WITH NIPPLE L 145	36
26		232734	REAR RIM 1.85X16 (REVIVAL)	1
27		232718	TYRE 3 1/4-16*54J-MC2	1
28		232762	INNER TUBE 3.00/3.25-16	1
29		44926	RIM TAPE 2 1/4-16	1
30		209212	CHAIN TENSION ADJUSTER RH	2
32		236936	CHAIN 104 ROLLERS WITH PART	1,309
32		236936	CHAIN 106 ROLLERS WITH PART	-
33		229189	CHAIN WASHER LINK	1
33		232996		1

ELECTRIC PARTS



No.	*	Part No.	Denomination	A
1		232720	HEADLIGHT CPL. 2-8	1
2		232941	HEADLIGHT LENS	1
3		232942	BULB 12V-35W BA 20D (HEADLIGHT)	1
4		044692	BULB 12V-5W S8.5	1
5		232943	HEADLIGHT BULB HOLDER	1
6		232944	SPRING	1
7		044427	SCREW 2,9X32	3
8		026704	SCREW M8X20 (ISO 7380)	2
9		031933	WASHER 8	2
10	L	242035S91	HEADLIGHT HOLDER BLACK	1
11		026695	SCREW M6X40 (ISO 7380)	4
12		031509	WASHER 6	10
13		030040	NUT M6-SELFLOCKING	9
14	C	242034C51	TURN SIGNAL HOLDER CROME	1
15		026690	SCREW M6X16 (ISO 7380)	5
18		232859	SWITCH SCREW M5X22 (BLACK)	4
19		232867	STOP SWITCH	1
20		213194	PROTECTIVE SLEEVE (LH)	1
20		210175	PROTECTIVE SLEEVE (RH)	1
22		232918	IGNITION SWITCH NUT	1
23		232721	REAR LIGHT WITH PART 24	1
-		232948	REAR LIGHT GLASS	1
24		044681	BULB 12V-5W BAY 15D	1
25		044416	SCREW	2
26		232722	HORN ASSEMBLY CPL.WITH PARTS 27-28	2
27		236704	HORN ASSEMBLY CPL.	2
28	C	236756	HORN COVER	2
30		026689	SCREW M6X14 (ISO 7380)	2
31	1	232723	TURN SIGNAL CPL. 32-34	2
31	2	232724	TURN SIGNAL CPL. 32-34	2
32		232947	TRAFFICATOR GLASS	4
33		044689	BULB 12V-10W BA15S	4
34		232946	SCREW PT*KA30X32	4
35		026697	SCREW M5X16	4
36		031508	WASHER 5	4
37		030048	NUT M5-SELFLOCKING	4
38		222428	FLASHER RELAY - A35	1
39		222422	TRAFFICATOR HOLDER	1
40		027264	SCREW M6X10	1
41		230844	VOLTAGE REGULATOR (REVIVAL)	1
42		031845	SPRING RING B6	2
43		230888	BATTERY	1
44		230886	TERMINAL CAP	2
46		230843	RELAY 70A	1
47		230883	FUSE	1
48		230884	FUSE HOUSING	1
49		206489	WASHER	1
-		232784	FRONT WIRE HARNESS (HEADLIGHT)	1
-		236748	SPEEDOMETER CABLE	1
-		236486	FRONT ELECTRIC WIRING	1
-		232785	REAR ELECTRIC WIRING	1



TOMOS



TOMOS D.O.O.
MOTOINDUSTRIJA
ŠMARSKA CESTA 4
SLOVENIJA

TOMOS INC.
202 BEECHTREE BLVD.
GREENVILE, SC 29605
USA

TOMOS NEDERLAND B.V.
KWEKWEK 34 - 8161 PG EPE
POSTBUS 172 - 8160 AD EPE
NEDERLAND