

# ROKON PRODUCTS ILLUSTRATED PARTS LIST

MARCH 1, 1973

## TRAIL-BREAKER explorer MK-III

*goes anywhere*



Automatic clutch,  
through 3 speed transmission  
and automatic torque converter



## TRAIL-BREAKER MK-IV

*goes anywhere*



Automatic clutch,  
through 3 speed transmission  
and automatic torque converter



## ROKON TRAIL 140

Automatic torque converter



**Rokon International Inc**  
50 Railroad Ave Rochester, NH 03839  
Tel: 603 335 3200 Fax: 603 335 4400

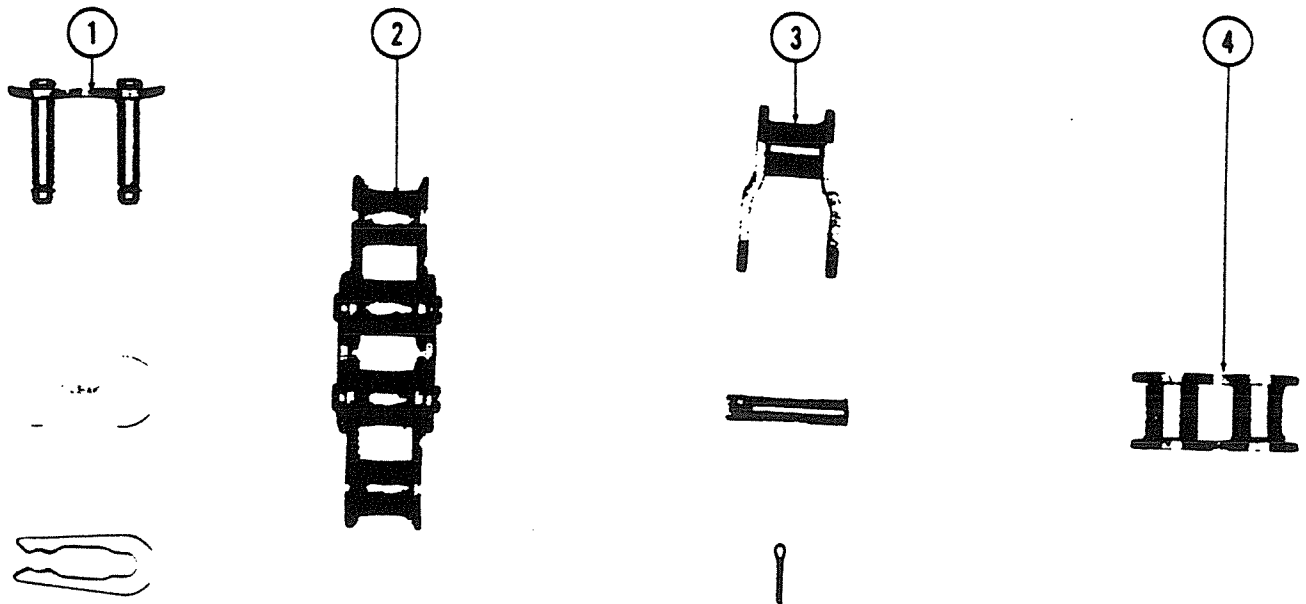
Rokon, Inc.. 160 Emerald Street,  
Keene, N.H. 03431, (603) 352-7341



## CONTENTS

Nomenclature	Page
Chains — all models	1
Clutch — Mk III Exp. & Mk IV Std.	2
Drive Line — all 2-wheel drive	3
Engine carburetor — all models	4 & 5
Engine magneto — all models	6 & 7
Engine power head — all models	8 & 9
Engine starter — all models	10
Engine power train (belts)	11
Fork components — Mk III Exp.	12
Fork components — Mk IV Auto. & Mk IV Std.	13
Fork components — Mk III Auto.	14 & 15
Fork components — RT 140	16 & 17
Frame components — Mk III Exp.	18 & 19
Frame components — Mk IV Std.	20 & 21
Frame components — Mk III Auto. & Mk IV Auto.	22 & 23
Frame components — RT 140	24 25
Handle bar components — Mk III Exp., Mk IV Std., MK IV Auto.	26
Handle bar components — MK III Auto.	27
Handle bar components — RT 140	28
Jack shaft components — RT 140	29
Jack shaft components — Mk III Auto. & Mk IV Auto.	30
Miter box — front exploded view	31
Miter box front — Mk III Exp. & Mk IV Std.	32
Miter box front — Mk III Auto. & Mk IV Auto.	33
Miter box rear — Mk III Exp. & Mk IV Std.	34
Miter box rear — Mk III Auto. & Mk IV Auto	35
Miter box rear — exploded view	36
Torque converter — front — drive pulley	37
Torque converter — rear — driven pulley	38
Transmission & shift linkage — general	39
Transmission — exploded view	40 & 41
Wheel components—Mk III Exp. & Mk. III Auto.	42
Wheel components Mk IV Auto. — Mk IV Std. — RT 140 (rear only)	43
Wheel components — RT 140 — front only	44

# CHAINS - ALL MODELS



ITEM	PART NO.	NAME	DESCRIPTION	QTY.
1	100356	Connecting Link		1
2	see below	chain	#40	1
3	100355	off-set Link		1
4	100354	Full Link		1

### VEHICLE CHAIN PART NUMBER

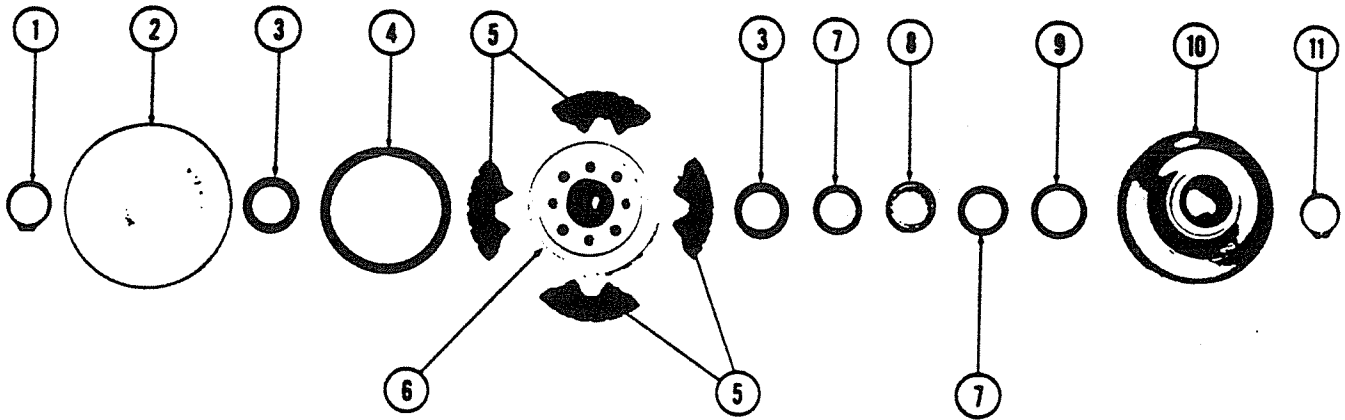
MODEL	FRONT	REAR	PRIMARY
Mk-III Explorer	316	317	318
Mk-III Automatic	316	317	315
Mk-IV Std.	319	316	318
Mk-IV Automatic	319	316	315
RT-140	None	316	315

\*Not supplied as a single part

X-Assembly

N.S. — Not Shown

## CLUTCH - MK III EXP. & MK IV STD.



### CLUTCH — MK III EXP. & MK IV STD.

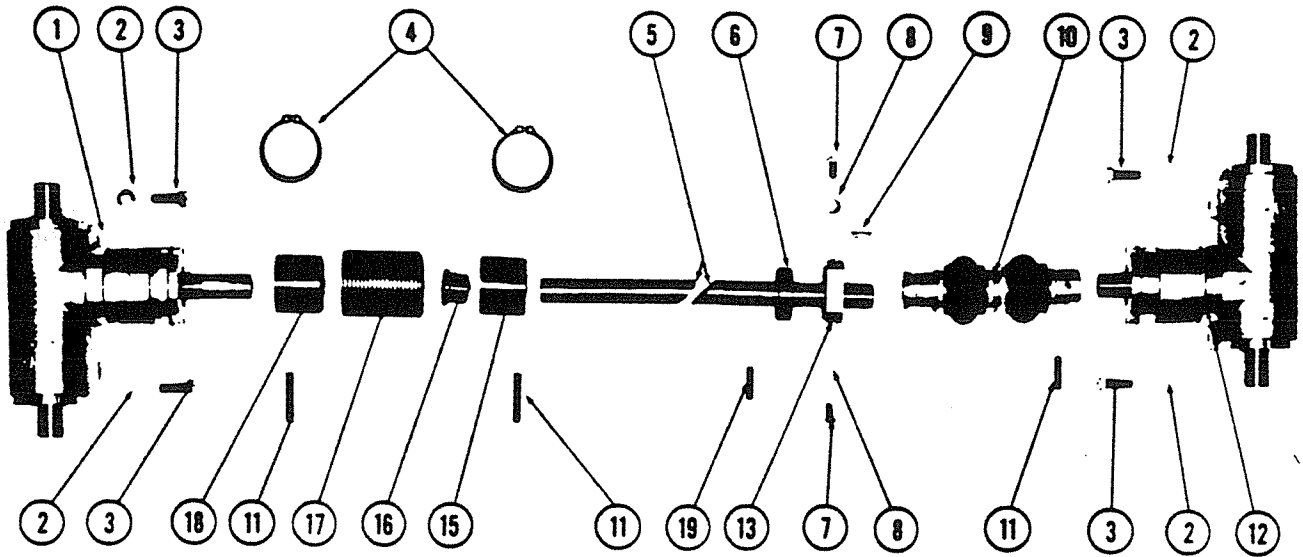
ITEM	PART NO.	NAME	DESCRIPTION	QTY.
1	100870	Snap Ring		1
2	100868	Cover		1
3	100875	Thrust Washer		2
4	100869	Clutch Spring		1
5	100866	Friction Shoe		4
6	*		Not Available	1
7	100874	Oil Seal		2
8	100867	Clutch Bearing		1
9	100876	Fiber Washer		1
10	*		Not Available	1
11	100871	Snap Ring		1

\* Not Supplied as a single part.

X - Assembly

N.S. - Not Shown

## DRIVE LINE - ALL TWO-WHEEL DRIVE MODELS



### DRIVE LINE — ALL TWO-WHEEL DRIVE MODELS

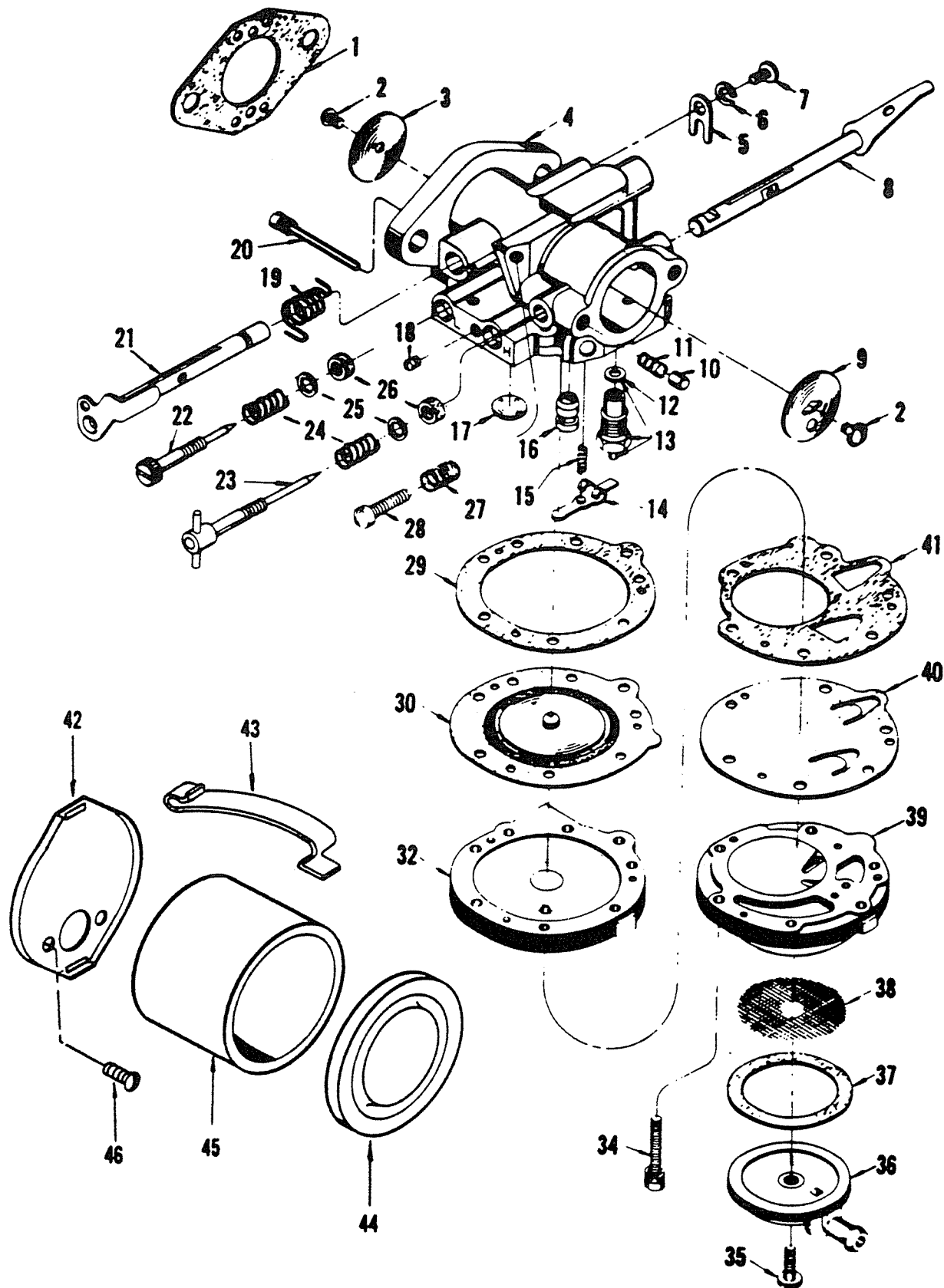
ITEM	PART NO.	NAME	DESCRIPTION	QTY.
1	100140	Miter box	Rear — all models	1
2	100039	Lock Washer	5/16 K. D. Brite	4
3	100038	Screw	5/16 — 18x 7/8	4
4	100307	Snap Ring		2
5	100311	Drive Line Shaft		1
6	100314	Drive Line Bearing		1
7	100252	Screw	1/4 — 20 x 1/2	2
8	100281	Lock Washer	1/4 K. D. Brite	2
9	100043	Drive Line Key	#9 Woodruff	1
10	100400	Universal Joint		1
11	100046	Roll Pin	3/16 x 1 1/2	2
12	100100	Miter Box	Front, All Models	1
13	100312	Bearing Retainer	Drive Line Support	1
14	100047	Roll Pin	3/16 x 1	1
15	100309	Boss		1
16	100308	Bushing	Bronz	1
17	100002	Override Spring		1
18	100310	Plain Boss		1
19	100045	Roll Pin	3/16 x 1 1/4	2
20	100300	Drive Line Assy.	Incl. 4,5,9,11,13,15,16,17,19 N.S.	1

\*Not Supplied as a single part

X - Assembly

N.S. - Not Shown

# CARBURETOR - ALL MODELS

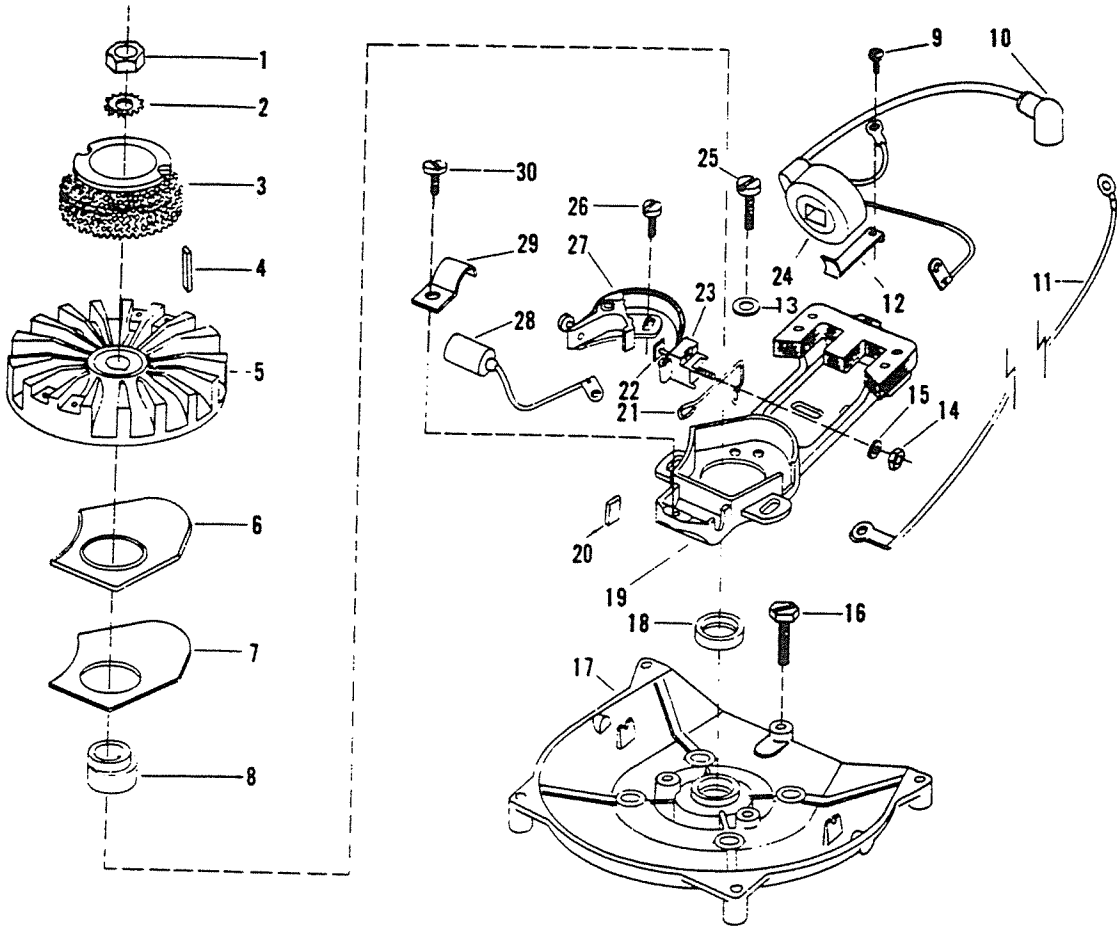


### CARBURETOR

ITEM	PART NO.	NAME	DESCRIPTION	QTY.
1	175906	Carburetor Gasket		1
2	08942	Shutter Screw and Lockwasher		2
3	012089	Throttle Shutter	Order 236061 carb. complete	1
4				
5	09678	Throttle Shaft Clip		1
6	0992	Clip Lockwasher		1
7	01974	Clip Retaining Screw		1
8	012093	Choke Shaft and Lever		1
9	09626	Choke Shutter		1
10	05454	Choke Friction Pin		1
11	08805	Choke Friction Spring		1
12	010165	Inlet Seat Gasket		1
13	010580	Inlet needle, seat and gasket		1
14	010513	Inlet Control Lever		1
15	011503	Inlet Tension Spring		1
16	012084	Nozzle Check Valve		1
17	02531	Welch Plug		1
18	02232	Drain Screw		1
19	12950	Throttle Shaft return spring		1
20	010581	Control Lever pinion screw		1
21	012091	Throttle Shaft and Lever		1
22	011498	Idle Adjustment Screw		1
23	012420	Main Adjustment Screw		1
24	08793	Adjustment Screw Spring		2
25	011428	Adjustment Screw Washer		2
26	011401	Adjustment Screw Packing		2
27	0788	Idle Speed regulat. screw spring		1
28	05095	Idle Speed Regulating Screw		1
29	012473	Diaphragm Gasket		1
30	012475	Diaphragm		1
32	010526	Diaphragm Cover		1
34	010098	Body Screw and Lockwasher		6
35	010571	Strainer Cover Screw		1
36	010527	Strainer Cover		1
37	010529	Strainer Cover Gasket		1
38	010530	Strainer Screen		1
39	010525	Fuel Pump Body		1
40	012698	Fuel Pump Diaphragm		1
41	012930	Fuel Pump Gasket		1
42	236650	Base		1
43	30491	Clips		2
44	30652	Cover		1
45	30653	Element		1
46	236732-2	Screw		2
	A2770589	Throttle Shaft arm	(not shown)	1
	236061	Carburetor Complete	(HL173A)	1
	GS-155	Gasket set	(not shown)	1
	RK-525	Repair parts kit	(not shown)	1



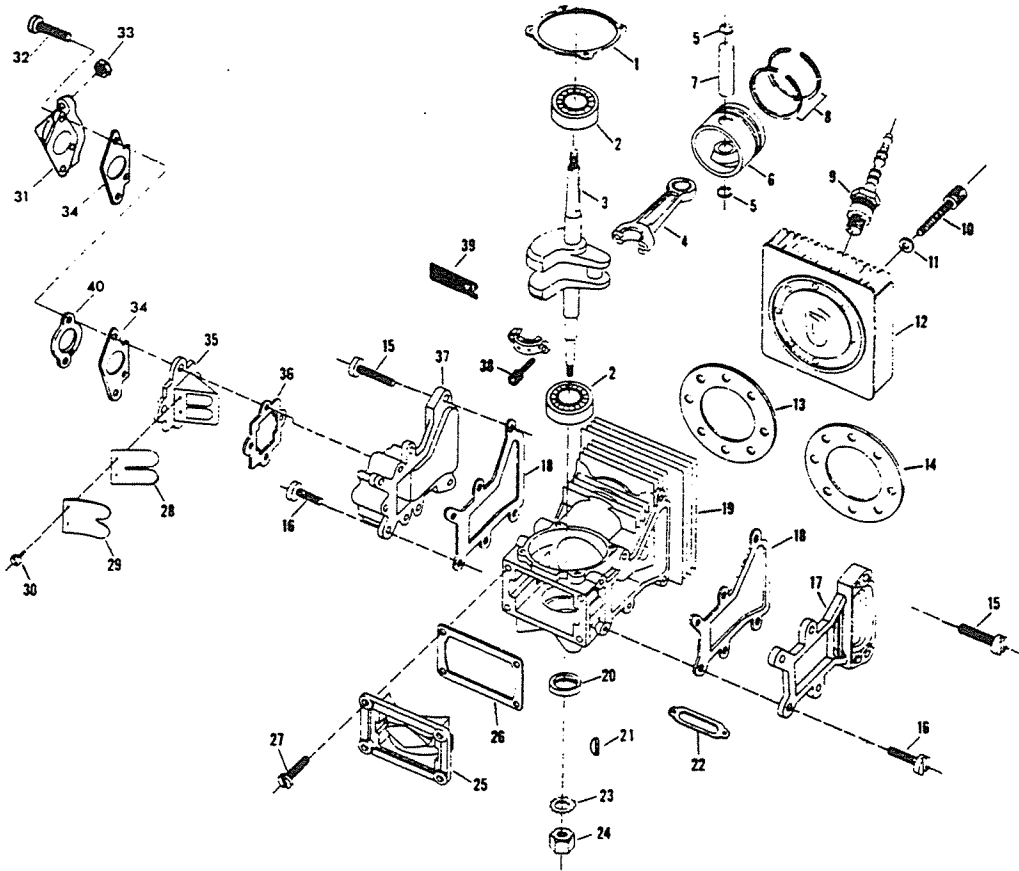
# MAGNETO



## MAGNETO

ITEM	PART NO.	NAME	DESCRIPTION	QTY.
1	1352	R. H. hex nut	7/16 — 20	1
2	8066	Ext. tooth L/W		1
3	15542	Cup and Screen		1
4	30498	Flywheel Key		1
5	174097	Flywheel		1
6	174029	Cover		1
7	174031	Cover Gasket		1
8	30002	Cam		1
9	12167	Screw		1
10	K750	Sparky		1
11	130907	Ground Lead		1
12	12336	Coil Wedge Spring		1
13	8035	Plain Washer		1
14	12127	Nut		1
15	8055	Lockwasher		1
16	1472	Hex slot hd. screw w /LW	1/4 — 20 x 11/16	4
17	A175038-1	Support plate	includes item 18	1
18	2770146-1	Seal	magneto end	1
19	174095-3	Stator Plate	includes coil, breaker points	1
20	12227	Cam Felt		1
21	12242	Cover Spring		1
22	13312	Stud		1
23	13309	Insulator		1
24	12327	Coil	includes item 10	1
25	1457	Rd. Hd. screw w/ext. T/LW	1/4 — 20 x 3/8	3
26	12090	Screw		1
27	12225	Breaker Point Set		1
28	12326 —	Condenser		1
29	12239	Condenser Clamp		1
30	12078	Screw		1

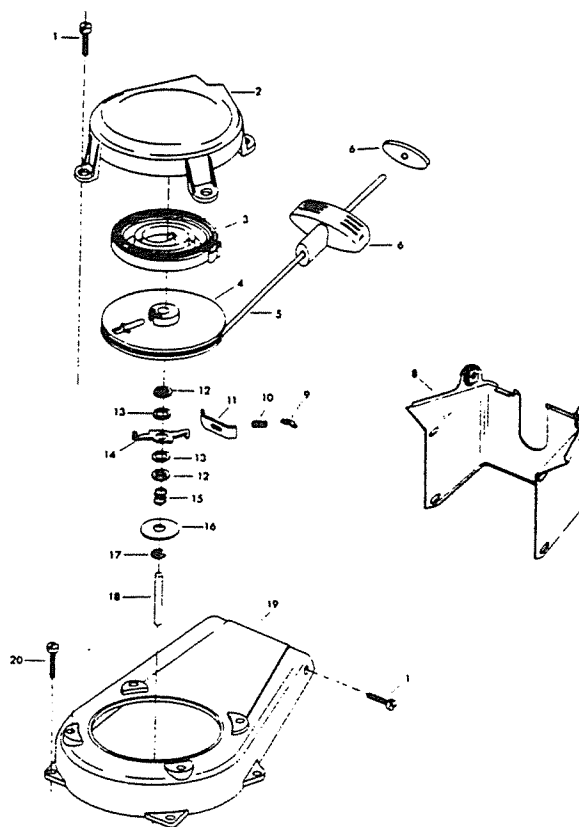
# POWER HEAD



**POWER HEAD**

ITEM	PART NO.	NAME	DESCRIPTION	QTY.
1	175277	Bearing Cage Gasket		1
2	127910-2	Ball bearing		2
3	236018	Crankshaft		1
4	2A174016	Connecting rod		1
5	31410	Retaining ring		2
6	236015	Piston		1
7	175017	Piston pin		1
8	A175260-1	Piston ring set		1
9	100369	Spark plug (L-10)		1
10	1465	Socket hd. cap screw	$\frac{1}{4}$ — 20 x 1 1/16	1
11	8026	Plain Washer		8
12	175518	Cylinder head		8
13	175529-032	Head gasket		1
14	175529-062	Head gasket		1
15	1497	Pan hd. screw w/LW	$\frac{1}{4}$ — 20 x $\frac{7}{8}$	1
16	1439	Pan hd. screw w/LW	$\frac{1}{4}$ — 20 x $\frac{3}{4}$	4
17	175222	Cover		8
18	175223	Gasket		1
19	A175010	Cylinder	includes item 20	2
20	31146	Seal	drive end	1
21	9044	Woodruff key		1
22	175279	Exhaust gasket		1
23	8066	Ext. tooth L/W		1
24	1352	R. H. hex nut	$\frac{7}{16}$ — 20	1
25	175150	Crankcase cover		1
26	175148	Cover gasket		1
27	1210	Hex slot hd. screw w/LW	$1\frac{1}{4}$ — 20 x 1	1
28	31160-1	Reed		4
29	31161	Reed stop		2
30	1298	Rd. Hd. screw	w/LW 6 — 32 x $\frac{1}{4}$	2
31	30167	Carburetor elbow		4
32	1580	Hex slot hd. screw w/LW	$1\frac{1}{4}$ — 20 x $1\frac{1}{8}$	1
33	1490	Hex nut		4
34	174906	Elbow gasket		2
35	A31158-1	Reed plate	includes items 28, 29 & 30	2
36	31168	Manifold Gasket		1
37	175157	Manifold		1
38	36634	Connecting rod cap screw		1
39	A175228	Crankpin roller set		2
40	236836	Spacer		1
41	G82007	Gasket set	carburetor elbow (not shown)	1
42	100038	Exhaust Manifold Bolts	$\frac{5}{16}$ -18 x $\frac{7}{8}$ (N.S.)	1

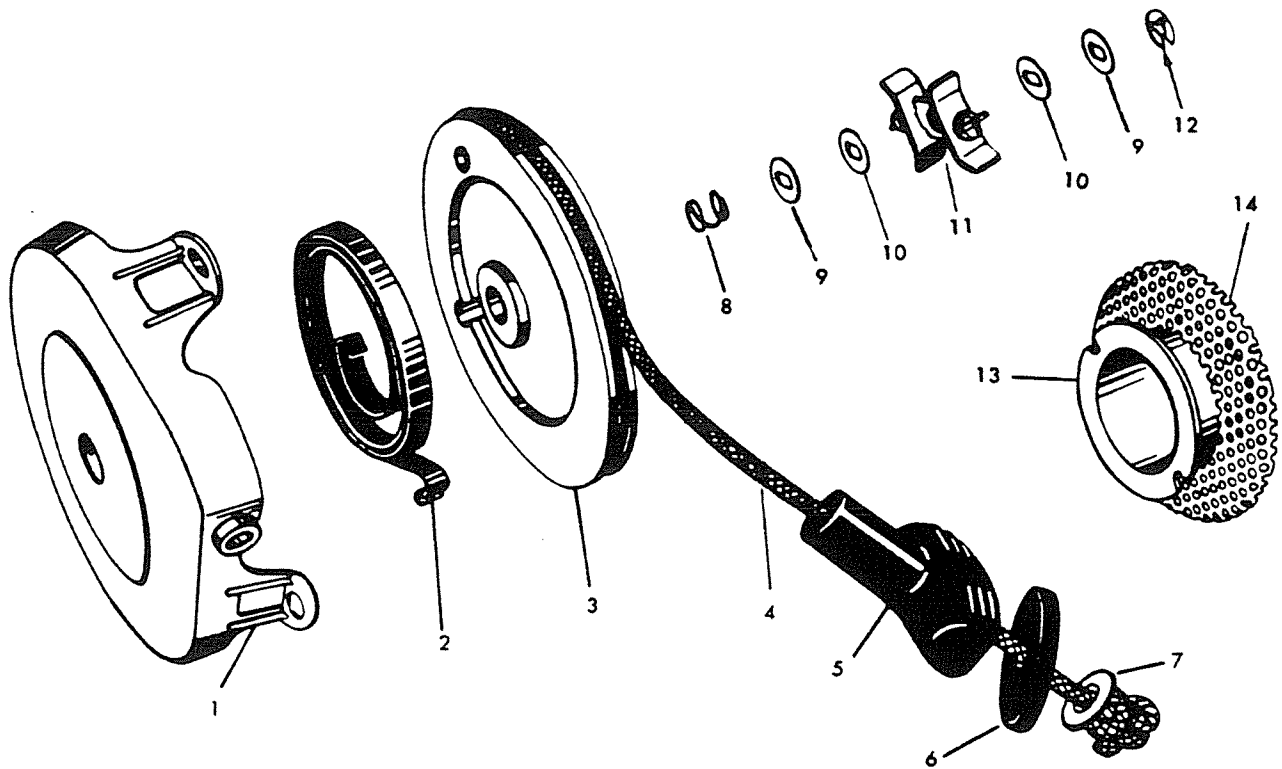
# STARTER



## STARTER

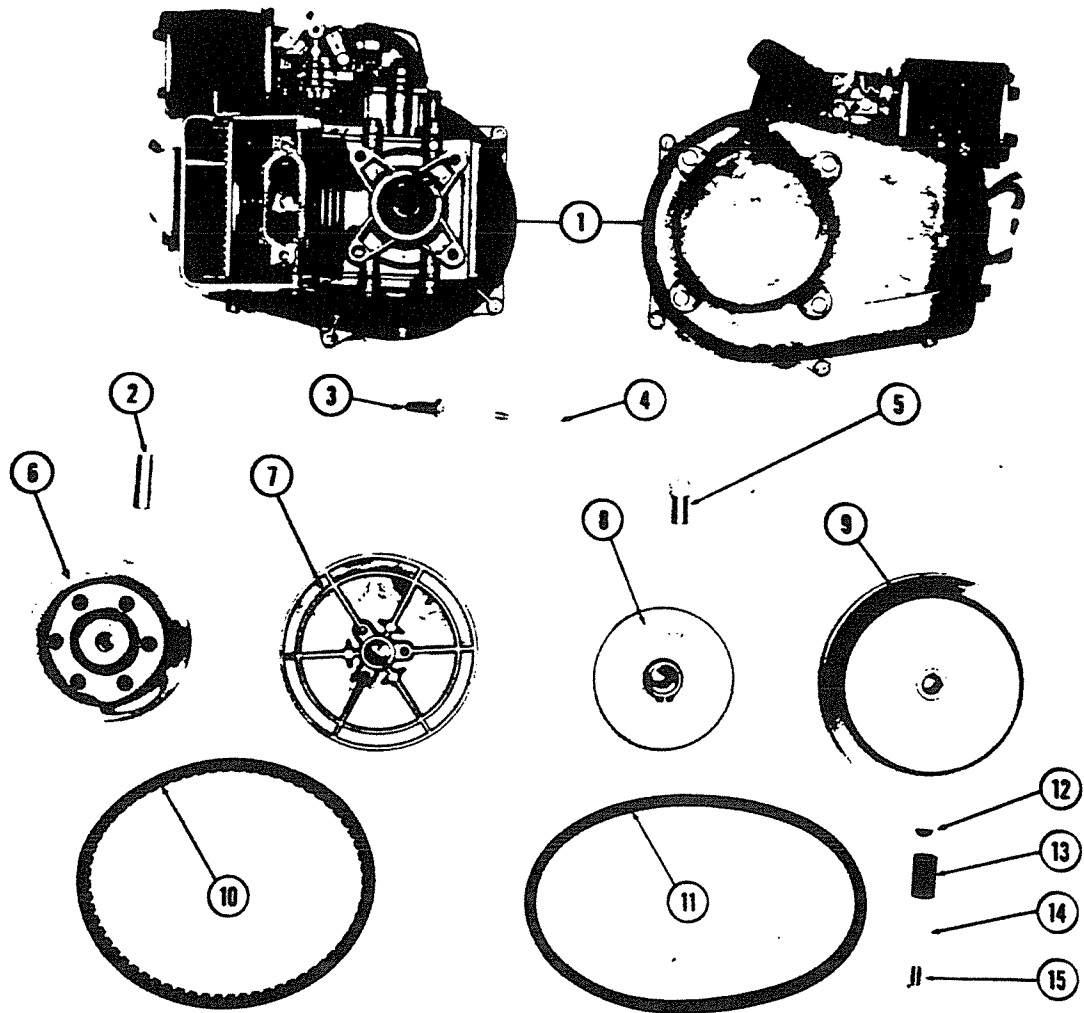
ITEM	PART NO.	NAME	DESCRIPTION	QTY.
1	1096	Pan hd. screw w/LW		
2	15546	Cover	$\frac{1}{4}$ — 20 x $\frac{1}{2}$	6
3	15528	Rewind Spring		1
4	15522	Rotor		1
5	15525	Cord		1
6	15540	T-handle w/insert		1
8	236648	Cylinder cover		1
9	15518	Spring Retainer Plate		1
10	15503	Friction Shoe Spring		2
11	15519	Friction Shoe Plate		2
12	15510	Brake Washer		2
13	15532	Fiber Washer		2
14	15501	Brake Lever		2
15	15504	Brake Spring		1
16	15511	Brake Retainer Washer		1
17	15513	Retainer Ring		1
18	15508	Centering Pin		1
19	175596-1	Fan Housing		1
20	1282	Pan hd. screw w/LW.		1
21	A27395-4	Identification Plate 2/screws	$\frac{1}{4}$ — 20 x $\frac{5}{8}$	4
22	15535	Friction Shoe Assembly		1
23	1750631-	Complete Starter	includes items 9, 10, 11, 14	1

**REWIND STARTER  
HEAVY DUTY**



ITEM	PART NO.	NAME	DESCRIPTION	QTY.
1	100157	Cover Assembly		1
2	100155	Rewind Spring		1
3	100154	Rotor		1
4	15525	Cord and Clip		1
(5.6.7.)	15540	Handle with Insert and Washer		1
8	15504	Brake Spring		1
9	15510	Steel Washer		1
10	15543	Fiber Washer		2
11	15535	Friction Shoe Assembly		2
12	15513	Snap Ring		1
(13.14)	100153	Cup and Screen		1
15	100049	Heavy Duty Pull Starter - Complete		1

# ENGINE POWER TRAIN



## ENGINE POWER TRAIN

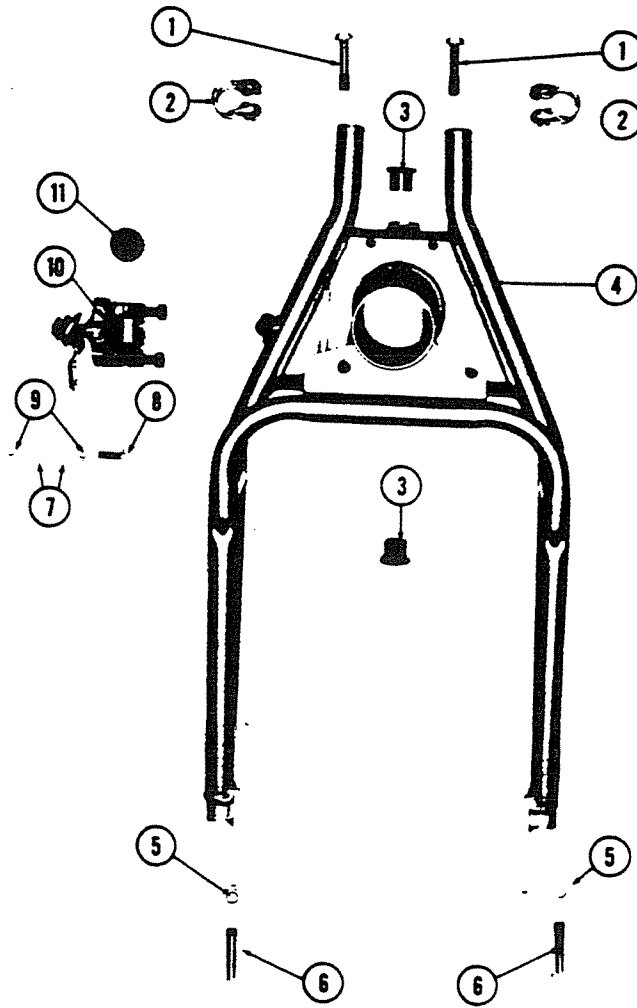
ITEM	PART NO.	NAME	DESCRIPTION	QTY.
1	100265	Engine Assy.	Chrysler 82007 (134cc) Incl-3, 4	1
2	100493	Engine Shaft Nut		1
3	100125	Fuel Filter		1
4	100123	Fuel Line		1
5	100052	Clutch Bolt		1
6	100883	Torque Converter	Front	1
7	100884	Torque Converter	Rear	1
8	100050	Clutch Kickstart.		1
9	100260	Pulley	7"	1
10	100539	Belt	Torque Converter	1
11	100262	B-Belt	Std. Shift Only	1
12	100760	Key	#5 Woodruff	1
13	100261	Pulley Retainer		1
14	100208	Washer	$\frac{3}{8}$ Flat	1
15	100572	Hex Head Cap Screw	$\frac{3}{8}$ — 24 x $\frac{5}{8}$	1

\* Not Supplied as a single part

X - Assembly

N.S. - Not Shown

# FRONT FORK - MK III EXP.

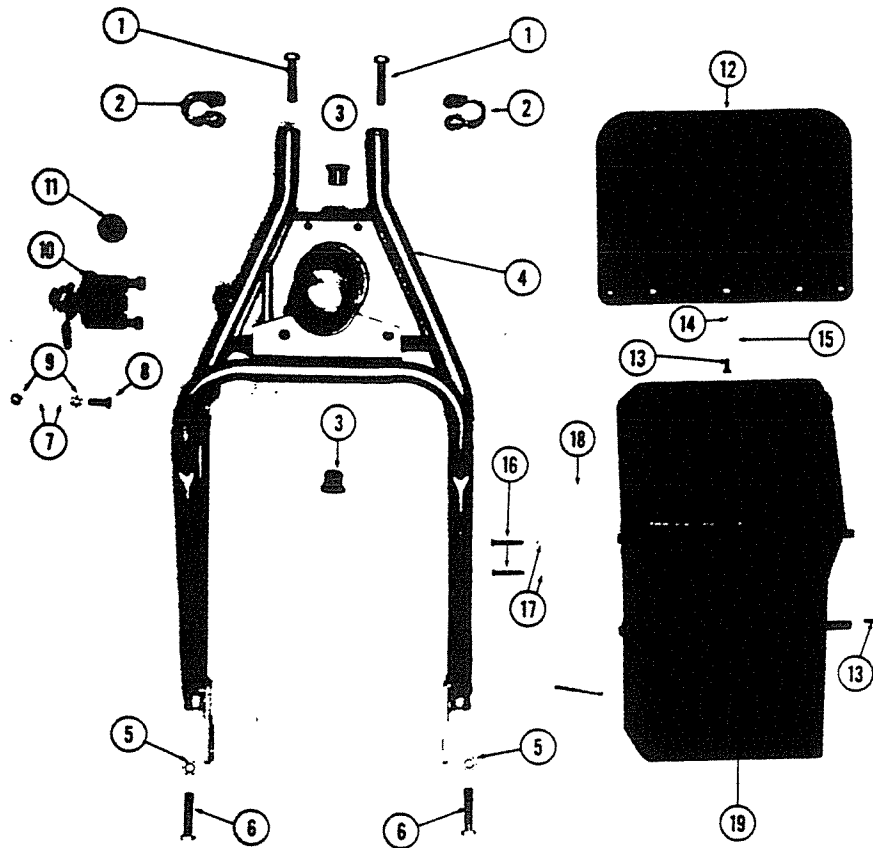


## FRONT FORK — MK III EXP.

ITEM	PART NO.	NAME	DESCRIPTION	QTY.
1	100573	Screw		
2	100031	Handle Bar Clamp	$\frac{3}{8}$ — 24 x $1\frac{3}{4}$	2
3	100097	King Pin Bushing		2
4	100642	Front Fork — Weldment		2
5	100036	Nut	MK III Exp.	1
6	101181	Screw	$\frac{3}{8}$ — 24 Jam	2
7	100254	Washer	$\frac{3}{8}$ — 24 x $1\frac{3}{4}$	2
8	100509	Screw	$\frac{1}{4}$ Flat	2
9	100169	Nut	$\frac{1}{4}$ — 28 x $\frac{3}{4}$ W/Hole	1
10	100131	Brake Caliper	$\frac{1}{4}$ — 28 Hex	2
11	100481	Brake Puck		1
12	100119	Front Fork Assy.		2
			Incl. Items — 3 & 4 N.S.	
		* Not Supplied as a single part	X - Assembly	
			N.S. - Not Shown	



## FRONT FORK - MK IV STD. & MK IV AUTO.



### FRONT FORK — MK IV STD. & MK IV AUTO.

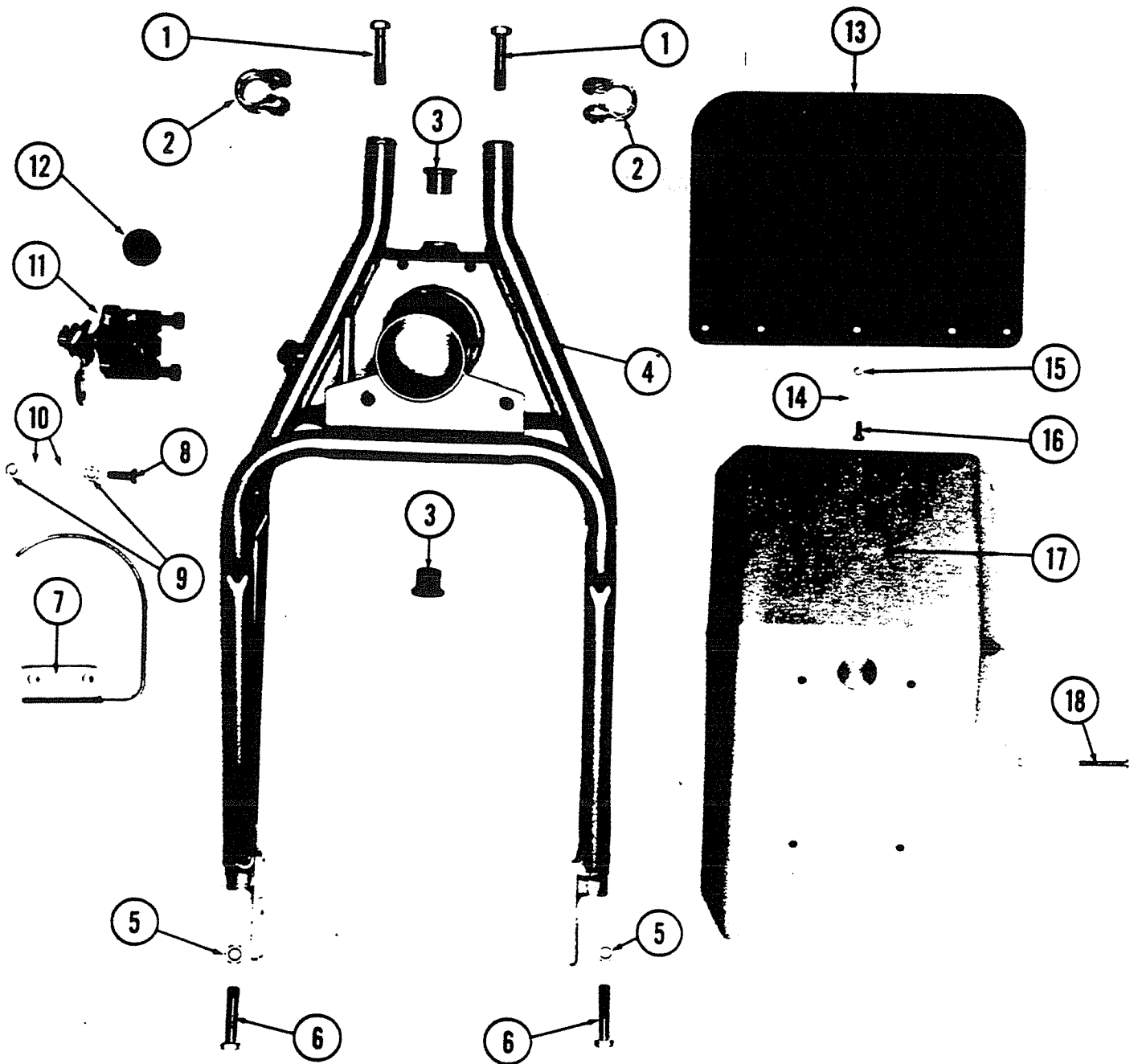
ITEM	PART NO.	NAME	DESCRIPTION	QTY.
1	100573	Screw	$\frac{3}{8}$ — 24 x $1\frac{3}{4}$	2
2	100031	Handle Bar Clamp		2
3	100097	King Pin Bushing		2
4	100676	Front Fork	Mk IV Std. & Auto.	1
5	100036	Nut	$\frac{3}{8}$ — 24 Jam	2
6	101181	Screw	$\frac{3}{8}$ — 24 x $1\frac{3}{4}$	2
7	100254	Washer	$\frac{1}{4}$ Flat	2
8	100509	Screw	$\frac{1}{4}$ — 28 x $\frac{3}{4}$ w/hole	1
9	100169	Nut	$\frac{1}{4}$ — 28 Hex	2
10	100131	Brake Caliper		1
11	100481	Brake Puck		2
12	100427	Mud Flap		1
13	100034	Screw	Pan Head 10-32 x $\frac{1}{2}$	5
14	100037	Nut	10 — 32	5
15	100165	Washer	$\frac{3}{16}$ Flat	5
16	100284	Screw	10 — 32 x $1\frac{1}{4}$	2
17	100037	Lock Nut	10 — 32 — self lock	2
18	100432	Sprocket Guard		1
19	100396	Front Fender — Weldment	Mk IV Std. & Auto	1
20	100675	Front Fork Assy.	Incl. Items — 1, 3, 4, 5, 7, 8, 9, 10 N. S.	1

\* Not Supplied as a single part

X - Assembly

N.S. - Not Shown

# FRONT FORK - MK III AUTO.



**FRONT FORK — MK III AUTO**

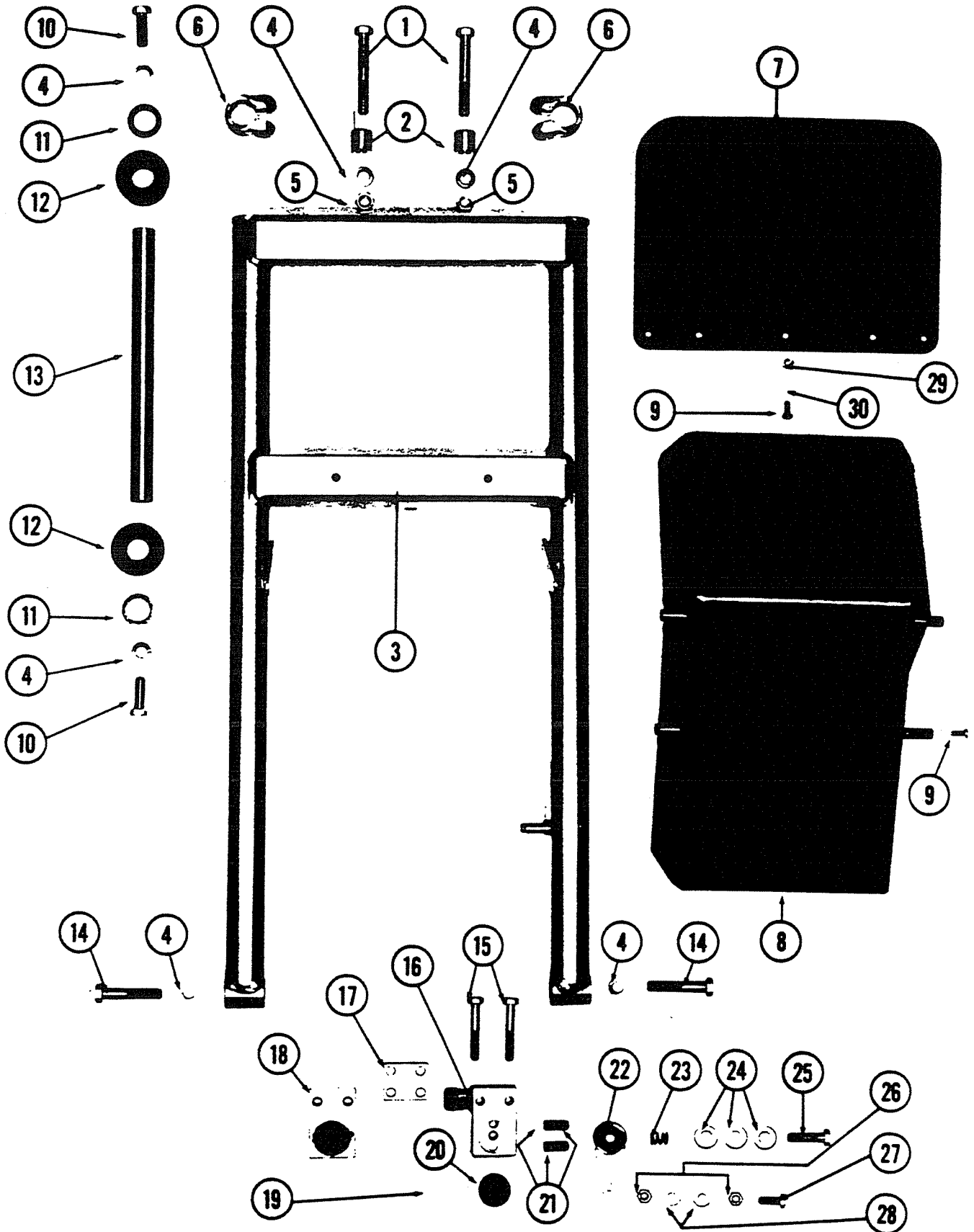
ITEM	PART NO.	NAME	DESCRIPTION	QTY.
1	100573	Screw	$\frac{3}{8}$ — 24 x $1\frac{3}{4}$	2
2	100031	Handle Bar Clamp		2
3	100097	King Pin Bushing		2
4	100818	Front Fork — Welment	MK III Auto.	1
5	100036	Nut	$\frac{3}{8}$ — 24 Jam	2
6	101181	Screw	$\frac{3}{8}$ — 24 x $1\frac{3}{4}$	2
7	100809	Disc Brake Guard		1
8	100509	Screw	$\frac{1}{4}$ — 28 x $\frac{3}{4}$ w/hole	1
9	100169	Nut	$\frac{1}{4}$ — 28 — Hex	2
10	100254	Washer	$\frac{1}{4}$ Flat	2
11	100131	Brake Caliper		1
12	100481	Brake Puck		2
13	100427	Mud Flap		1
14	100165	Washer	$\pm 10$ Flat	9
15	100037	Nut	10 — 32 Selflock	9
16	100034	Screw	Pan Hd. 10 — 32 x $\frac{1}{2}$	5
17	100453	Front Fender	Mk III Auto.	1
18	100284	Screw	10 — 32 x $1\frac{1}{4}$	4

\* Not Supplied as a single part

X - Assembly

N.S. - Not Shown

# FRONT FORK - RT 140



**FRONT FORK — RT 140**

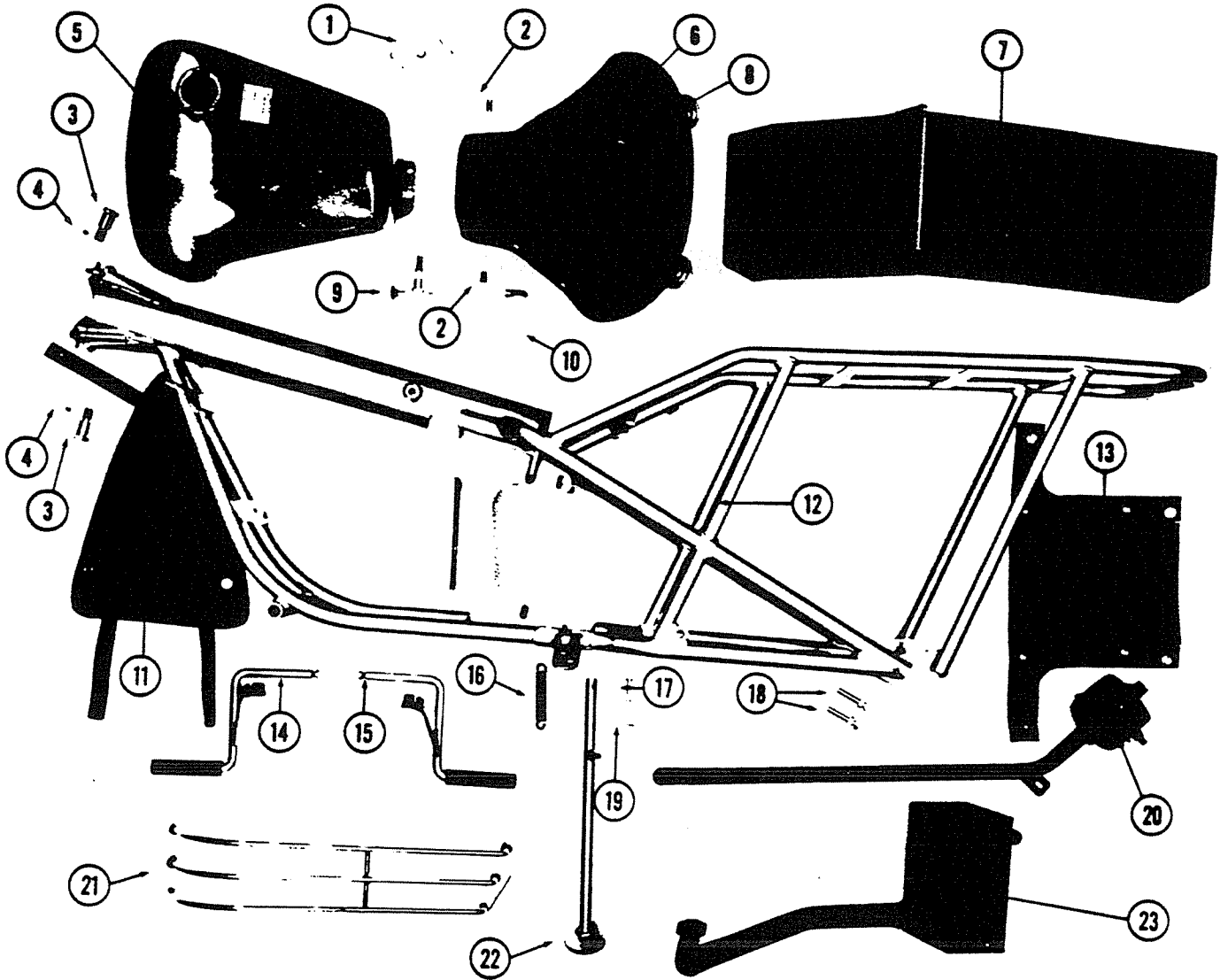
ITEM	PART NO.	NAME	DESCRIPTION	QTY.
1	100571	Screw	$\frac{3}{8}$ — 24 x 2 $\frac{1}{2}$	2
2	100522	Spacer		2
3	100596	Fork	Weldment	1
4	100288	Washer	$\frac{3}{8}$ Spring L/W	6
5	100212	Nut	$\frac{3}{8}$ — 24	2
6	100031	Handle Bar Clamp		2
7	100427	Mud Flap		1
8	100771	Fender	Front	1
9	100034	Screw	10 — 32 x $\frac{1}{2}$	9
10	100214	Screw	$\frac{3}{8}$ — 24 x 1	2
11	100853	Shim		2
12	100772	Wheel Bearing		2
13	100405	Steering Shaft		1
14	100574	Screw	$\frac{3}{8}$ — 24 x 2	2
15	100150	Screw	5/16 — 24 x 2	2
16	100146	Caliper Cam Side		1
17	100474	Spacer		1
18	100476	Caliper Wheel Side		1
19	100483	Disc Puck		1
20	100481	Puck	Brake	2
21	100479	Cam Follower		2
22	100135	Cam Lever		1
23	100471	Cam Return Spring		1
24	100207	Washer	5/16 — Flat	3
25	100151	Screw	5/16 — 24 x 1 $\frac{1}{4}$	1
26	100169	Nut	$\frac{1}{4}$ — 28	5
27	100509	Screw Special	With Hole	1
28	100254	Washer	$\frac{1}{4}$ — Flat	2
29	100037	Nut	10 — 32 — Self Lock	5
30	100165	Washer	$\frac{3}{8}$ 10 Flat	5
31	100388	Front Caliper Assy.	Inc. 15,16,17,18,19,20,21, 22,23,24,25,26,27,28	

\* Not Supplied as a single part

X -- Assembly

N.S. - Not Shown

# FRAME COMPONENTS - MK III EXP.



**FRAME COMPONENTS — MK III EXP.**

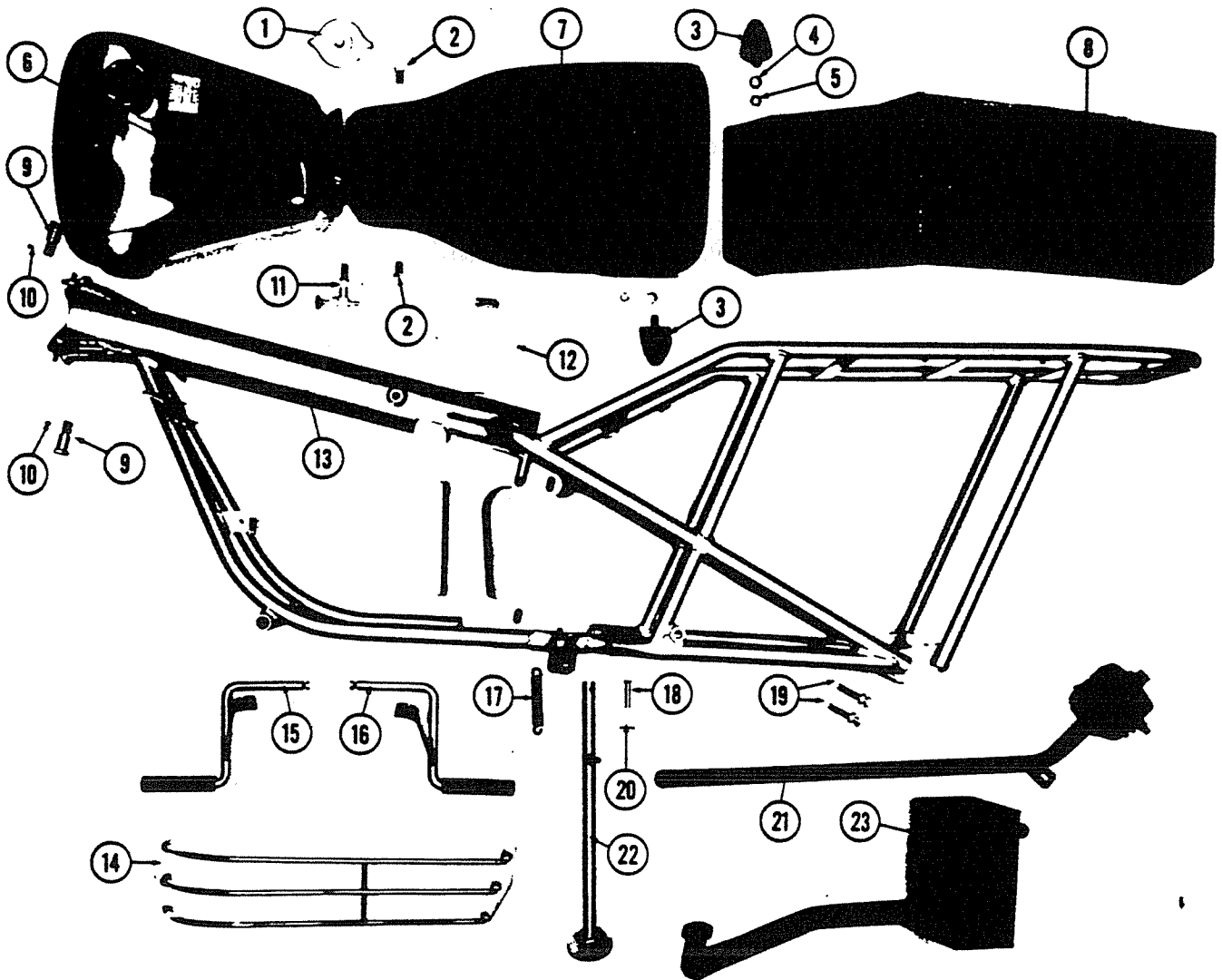
ITEM	PART NO.	NAME	DESCRIPTION	QTY.
1	100130	Fuel Tank Cap - (order 100958)		1
2	100572	Screw	$\frac{3}{8}$ — 24 — $\frac{3}{8}$ Hex	2
3	102774	King Pin Bolt		2
4	100198	Set Screw	10 — 32 x $\frac{1}{4}$	2
5	100438	Fuel Tank		1
6	100134	Seat Assy.	Incl. Springs & Hdw.	1
7	100822	Rear Fender		1
8	100133	Seat Spring		2
9	100122	Fuel Valve Shut Off	Push-pull	1
10	100124	Clamp	2 $\frac{5}{16}$ — 3 $\frac{1}{2}$	1
11	100501	Mud Shield	On frame	1
12	100020	Frame	Weldment	1
13	100810	Rear Mud Shield		1
14	100181	Foot Rest	Left — Incl. Rubber	1
15	100180	Foot Rest	Right — Incl. Rubber	1
16	100223	Parking Stand Spring		1
17	100285	Clevis Pin	$\frac{5}{16}$ x $1\frac{3}{8}$	
18	101181	Screw	Rear Wheel Adj.	2
19	100290	Cotter Pin	$\frac{1}{8}$ x $\frac{3}{4}$	1
20	100827	Spark Arrester	Arrester & Tail Pipe — assy.	1
21	100660	Drive Guard		1
22	100386	Parking Stand		1
23	100826	Exhaust System	Flange, Pipe & Muffler	1
24	100118	Fuel Tank Assy.	Incl. Items 1, 9, 5, 25, 26	N.S. 1
25	100193	Decal	Name — Trail Breaker	N.S. 2
26	100503	Decal	Fuel & Shift	N.S. 1
27	100133	Seat Spring Separate		N.S. 2
28	100034	Fender Screw	10 — 32 x $1\frac{1}{2}$	N.S. 5
29	100037	Fender Nut	10 — 32 — Self Lock	N.S. 5
30	100166	Fender Screw — top	$\frac{1}{4}$ — 28 x 1	N.S. 1
31	100169	Fender Nut — top	$\frac{1}{4}$ — 28	N.S. 1
32	100281	Fender Washer — top	$\frac{1}{4}$ Spring L/W	N.S. 1
33	100165	Washer	$\approx 10$ Flat	N.S. 5
34	100196	Foot Rest Rubber	All Models	N.S. 2
35	100273	Foot Rest Retaining Screw	10 — 32 x $\frac{1}{4}$ Lock Rest	N.S. 2
36	100275	Foot Rest Retaining Washer	$\approx 10$ Internal Tooth	N.S. 2
37	100126	Fuel Tank Mounting — Screw N.S.	$\frac{1}{4}$ — 20 x $\frac{3}{8}$ — Base Mount	2
38	100281	Fuel Tank Mounting Washer N.S.	$\frac{1}{4}$ Spring L/W Base Mount	2
39	100038	Exhaust Manifold Bolts	$\frac{5}{16}$ -18 x 7/8	N.S. 2
40	100163	Spark Arr. Drain Plug	Pipe Plug	N.S. 1

\* Not Supplied as a single part

X - Assembly

N.S. - Not Shown

# FRAME COMPONENTS - MK IV STD.





**FRAME COMPONENTS — MK IV STD.**

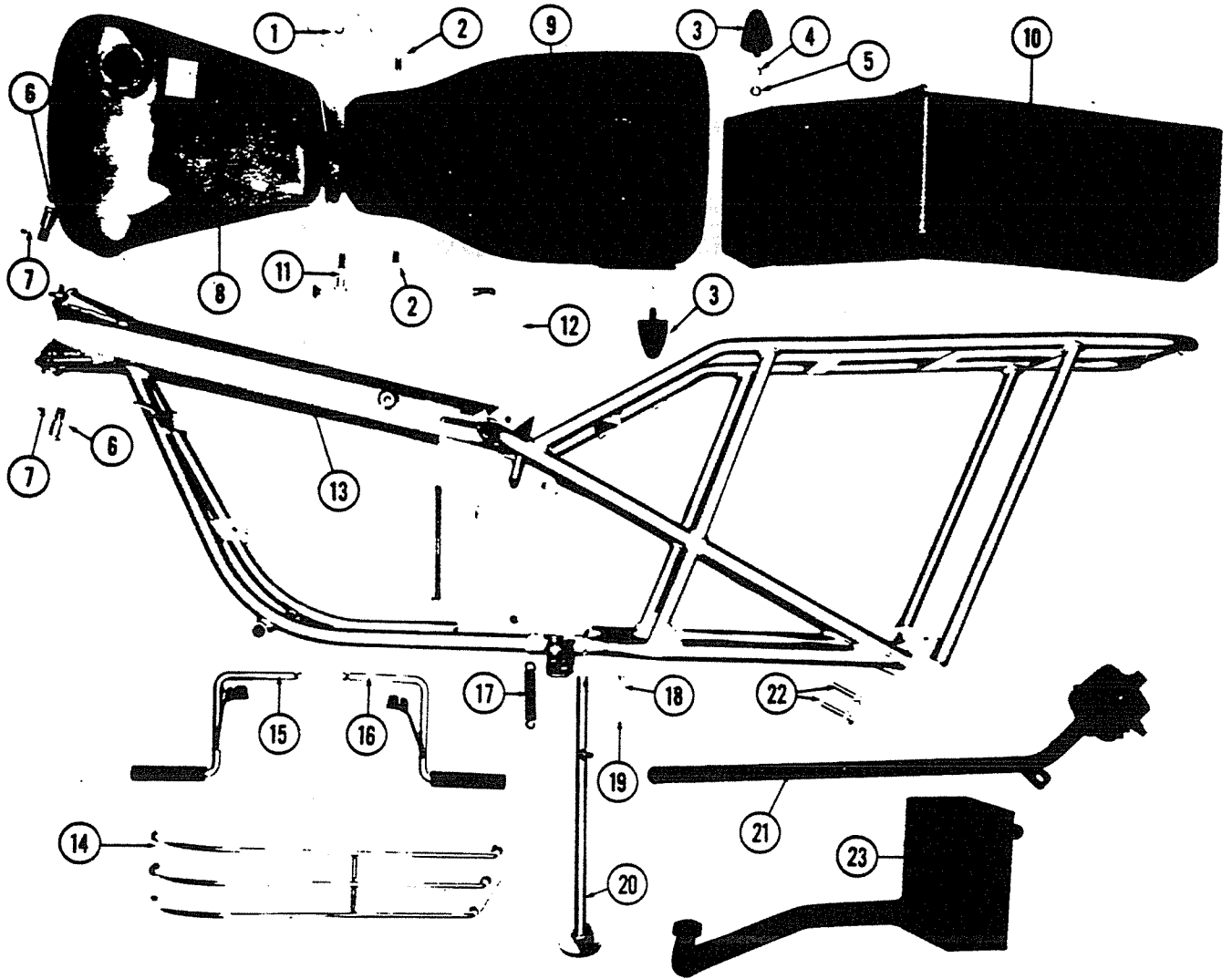
ITEM	PART NO.	NAME	DESCRIPTION	QTY.
1	100130	Fuel Tank Cap - (order 100958)		1
2	100572	Screw	$\frac{3}{8}$ — 24 — $\frac{5}{8}$ Hex	2
3	100548	Seat Spring		2
4	100288	Washer	$\frac{3}{8}$ L W	2
5	100212	Nut	$\frac{3}{8}$ — 24 Hex	2
6	100438	Fuel Tank		1
7	100451	Seat		1
8	100822	Rear Fender		1
9	102774	King Pin Bolt		1
10	100198	Set Screw	10 — 32 x $\frac{1}{4}$	2
11	100122	Fuel Valve Shut Off	Push — Pull	1
12	100124	Clamp	2 $\frac{5}{16}$ — $3\frac{1}{2}$	1
13	100020	Frame	Weldment	1
14	100660	Drive Guard		1
15	100181	Foot Rest	Left — Incl. Rubber	1
16	100180	Foot Rest	Right — Incl. Rubber	1
17	100223	Parking Stand Spring		1
18	100285	Clevis Pin	$\frac{5}{16}$ x $1\frac{3}{8}$	1
19	101181	Screw	Rear Wheel Adj.	2
20	100290	Cotter Pin	$\frac{1}{8}$ x $\frac{3}{4}$	1
21	100827	Spark Arrester	Arrester & Tail Pipe Assy.	1
22	100224	Parking Stand		1
23	100826	Exhaust System	Flange, Pipe & Muffler	1
24	100118	Fuel Tank Assy.	Incl. Items 1, 6, 11, 31, 32	N.S.
25	100428	Seat Mounting Bracket		N.S.
26	100340	Seat kit (Custom)	Incl. Items 3, 4, 5, 7 & 25	N.S.
27	100034	Fender Screw	10 — 32 x $\frac{1}{2}$	N.S.
28	100037	Fender Nut	10 — 32 self lock	N.S.
29	100166	Fender Screw — top	$\frac{1}{4}$ — 28 x 1	N.S.
30	100169	Fender Nut — top	$\frac{1}{4}$ — 28	N.S.
31	100281	Fender Washer — top	$\frac{1}{4}$ — spring L/W	N.S.
32	100196	Foot Rest Rubber	All Models	N.S.
33	100193	Decal	Name — Trail Breaker	N.S.
34	100503	Decal	Fuel & Shift	N.S.
35	100273	Foot Rest Retaining Screw	10 — 32 x $\frac{1}{4}$ Locks Rest	N.S.
36	100275	Foot Rest Retaining Washer	#10 Internal Tooth	N.S.
37	100165	Washer	#10 Flat	N.S.
38	100126	Fuel Tank Mounting Screw	$\frac{1}{4}$ — 20 x $\frac{5}{8}$ — Base Mount	N.S.
39	100281	Fuel Tank Mounting Washer	$\frac{1}{4}$ — Spring L/W Base Mount	N.S.
40	100038	Exhaust Manifold Bolts	5/16-18 x 7/8	N.S.
41	100163	Spark Arr. Drain Plug	Pipe Plug	N.S.

\* Not Supplied as a single part

X - Assembly

N.S. - Not Shown

FRAME COMPONENTS - MK III AUTO. & MK IV AUTO.



**FRAME COMPONENTS — MK III AUTO. & MK IV AUTO.**

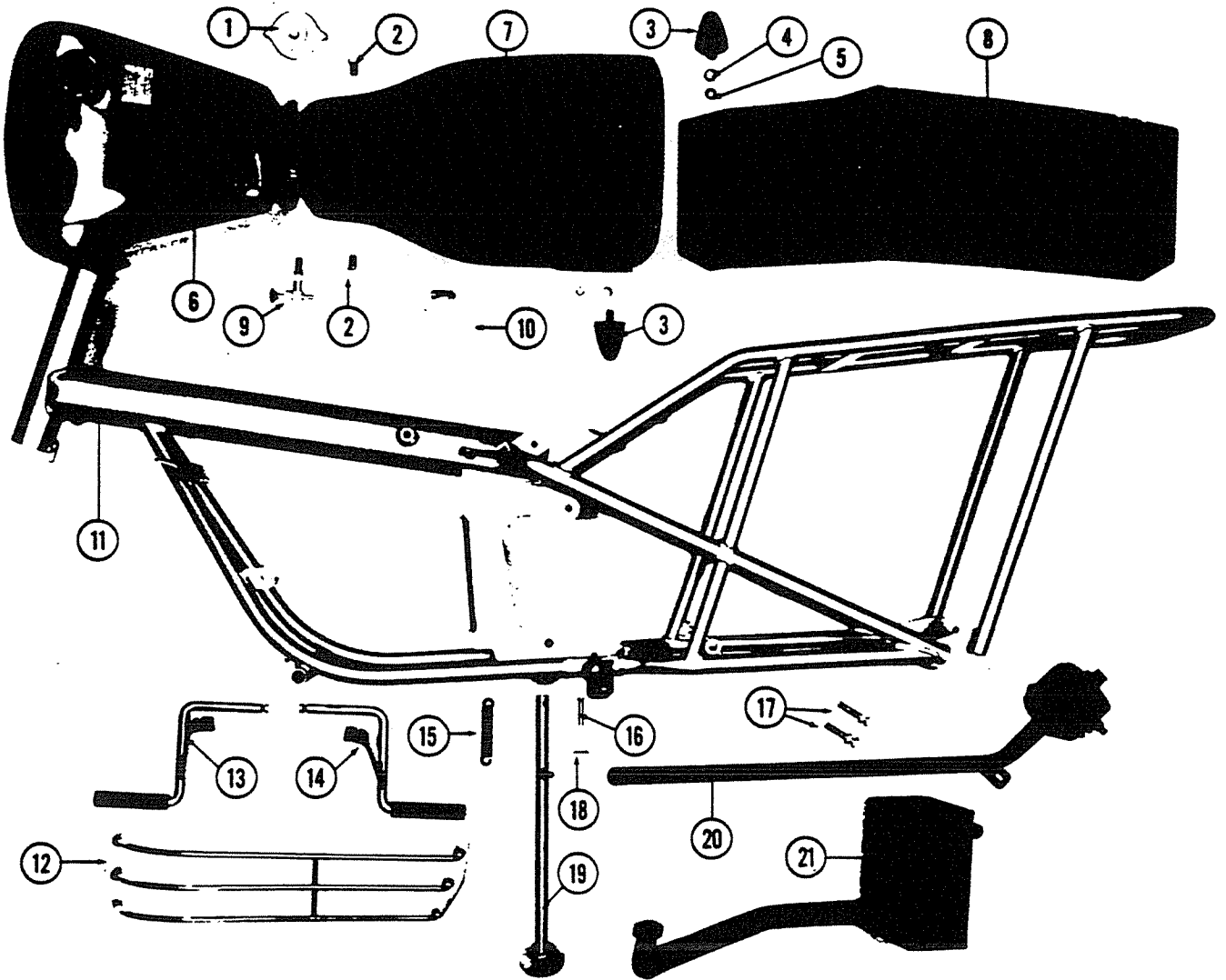
ITEM	PART NO.	NAME	DESCRIPTION	QTY.
1	100130	Fuel Tank Cap - (Order 100958)		1
2	100572	Screw	3/8 — 24 x 5/8 Hex	2
3	100548	Seat Spring		2
4	100288	Washer	3/8 L. W.	2
5	100212	Nut	3/8 — 24 Hex	2
6	102774	King-Pin Bolt		2
7	100198	Set Screw	10 — 32 x 1/4	2
8	100438	Fuel Tank		1
9	100451	Seat		1
10	100822	Rear Fender		1
11	100122	Fuel Valve Shut Off	Push — Pull	1
12	100124	Clamp	2 5/16 — 3 1/2	1
13	100671	Frame	Weldment	1
14	100660	Drive Guard		1
15	100181	Foot Rest	Left — Incl. Rubber	1
16	100180	Foot Rest	Right — Incl. Rubber	1
17	100223	Parking Stand Spring		1
18	100285	Clevis Pin	5/16 x 1 3/8	1
19	100290	Cotter Pin	1/8 x 3/4	1
20	100224	Parking Stand for Mk IVA only	For Mk III A Order 386	1
21	100827	Spark Arrester	Arrester & Tail Pipe Assy.	1
22	101181	Screw	Rear Wheel Adj.	2
23	100826	Exhaust System	Flange, Pipe & Muffler	1
24	100118	Fuel Tank Assy.	Incl. Items 1, 8, 11, 32, 33	N.S.
25	100428	Seat Mounting Bracket		N.S.
26	100340	Seat kit (Custom)		N.S.
27	100034	Fender Screw	Incl. Items 3, 4, 5, 9, 25	
28	100037	Fender Nut	10 — 32 x 1/2	N.S.
29	100166	Fender Screw — top	10 — 32 — self lock	N.S.
30	100169	Fender Nut — top	1/4 — 28 x 1	N.S.
31	100281	Fender Washer — top	1/4 — 28	N.S.
32	100193	Decal	1/4 — Spring L/W	N.S.
33	100504	Decal	Name — Trail Breaker	N.S.
34	100196	Foot Rest Rubber	Instruction	N.S.
35	100165	Washer	All Models	N.S.
36	100273	Foot Rest Retaining Screw	≠10 Flat	N.S.
37	100275	Foot Rest Retaining Washer	10 — 32 x 1/4 locks foot rest	N.S.
38	100126	Fuel Tank Mounting Screw	≠10 — Internal Tooth	N.S.
39	100281	Fuel Tank Mounting Washer	1/4 — 28 x 5/8 Base Mount	N.S.
40	100038	Exhaust Manifold Bolts	1/4 Spring L/W Base Mount	N.S.
41	100163	Spark Arr. Drain Plug	5/16-18 x 7/8	N.S.
			Pipe Plug	N.S.

\* Not Supplied as a single part

X - Assembly

N.S. - Not Shown

# FRAME COMPONENTS - RT 140



**FRAME COMPONENTS — RT 140**

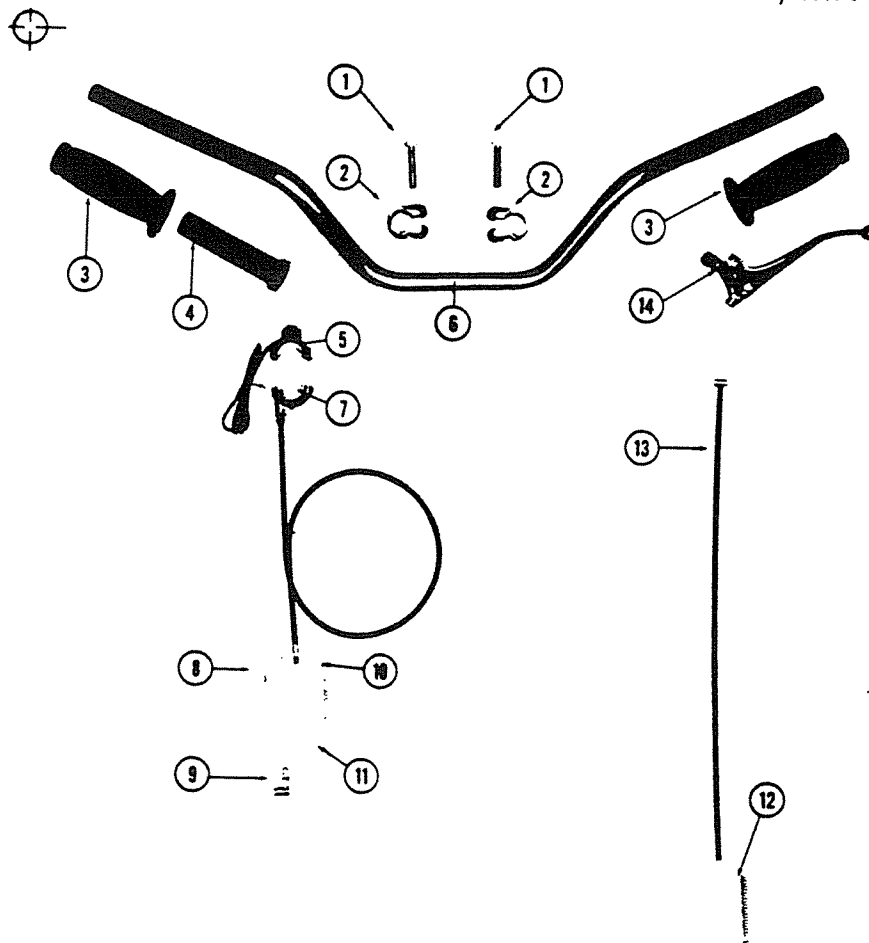
ITEM	PART No.	NAME	DESCRIPTION	QTY.
1	100130	Fuel Tank Cap- (order 100958)		1
2	100572	Screw	$\frac{3}{8}$ — 24 x $\frac{5}{8}$ Hex.	2
3	100548	Seat Spring		2
4	100288	Washer	$\frac{3}{8}$ — L. W.	2
5	100212	Nut	$\frac{3}{8}$ — 24 — Hex	2
6	100438	Fuel Tank		1
7	100451	Seat		1
8	100822	Rear Fender		1
9	100122	Fuel Valve Shut Off	Push-Pull	1
10	100124	Clamp	2 $\frac{5}{16}$ x $\frac{3}{2}$	1
11	100581	Frame	Weldment	1
12	100660	Drive Guard		1
13	100181	Foot Rest	Left — Incl. Rubber	1
14	100180	Foot Rest	Right — Incl. Rubber	1
15	100223	Parking Stand Spring		1
16	100285	Clevis Pin	$\frac{5}{16}$ x $1\frac{3}{8}$	1
17	100573	Screw	Rear Wheel Adj.	2
18	100290	Cotter Pin	$\frac{1}{8}$ x $\frac{3}{4}$	1
19	100224	Parking Stand		1
20	100827	Spark Arrester	Arrester & Tail Pipe Assy.	1
21	100826	Exhaust System	Flange, Pipe & Muffler	1
22	100331	Decal	Name — Rokon Trail 140	N.S. 2
23	100504	Decal	Fuel Only	N.S. 1
24	100428	Seat Mounting Bracket		N.S. 1
25	100340	Seat kit (Custom)	N.S.	Incl. Items 3, 4, 5, 7 & 24 1
26	100196	Foot Rest Rubber	All Models	N.S. 2
27	100034	Fender Screw	10 — 32 x $\frac{1}{2}$	N.S. 5
28	100037	Fender Nut	10 — 32 self lock	N.S. 5
29	100166	Fender Screw Top	$\frac{1}{4}$ — 28 x 1	N.S. 1
30	100169	Fender Nut — Top	$\frac{1}{4}$ — 28	N.S. 1
31	100281	Fender Washer — Top	$\frac{1}{4}$ Spring L/W	N.S. 1
32	100165	Washer	#10 Flat	N.S. 5
33	100273	Foot Rest Retaining Screw	N.S.	10 — 32 x $\frac{1}{4}$ locks foot rest 2
34	100275	Foot Rest Retaining Washer	#10 Internal Tooth	N.S. 2
35	100126	Fuel Tank Mounting Screw	N.S.	$\frac{1}{4}$ — 20 x $\frac{5}{8}$ Base Mount 2
36	100281	Fuel Tank Mounting Washer	N.S.	$\frac{1}{4}$ Spring L/W Base Mount 2
37	100330	Fuel Tank Assy.	Incl. 1, 6, 9, 22, 23	N.S. 1
38	100037	Exhaust Manifold Bolts	$\frac{5}{16}$ -18 x $\frac{7}{8}$	N.S. 2
39	100163	Spark Arr. Drain Plug	Pipe Plug	N.S. 1

\* Not Supplied as a single part

X - Assembly

N.S. - Not Shown

# HANDLE BAR ASSY. - MK III EXP., MK IV STD., MK IV AUTO.



## HANDLE BAR ASSY. — MK III EXP., MK IV STD., MK IV AUTO.

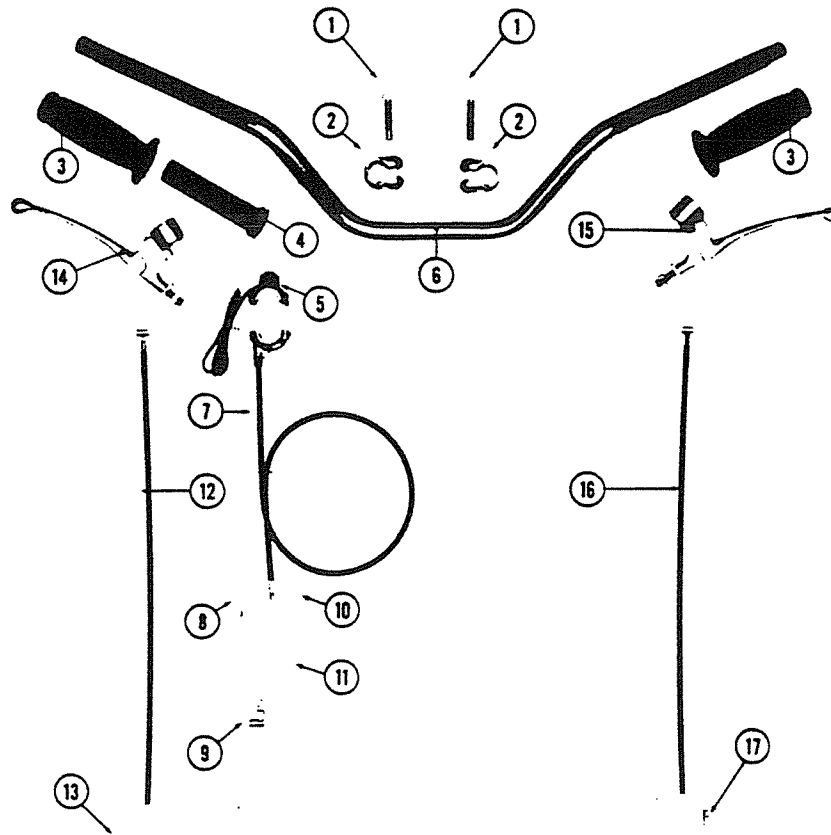
ITEM	PART NO.	NAME	DESCRIPTION	QTY.
1	100573	Screw	$\frac{3}{8}$ — 24 x $1\frac{3}{4}$	2
2	100031	Handle Bar Clamp		2
3	100071	Grips		2
4	100842	Plastic Handle		2
5	100862	Kill Button Assy.		1
6	100466	Handle Bar		1
7	100861	Throttle Cable Assy.	as shown	1
8	100864	Throttle Cable Stop		1
9	100863	Throttle Shaft Linkage		1
10	*	Nut	$\frac{1}{4}$ — 20	1
11	100559	Throttle Spring		1
12	100788	Brake Spring	Front — Dual	1
13	100015	Brake Cable	Front — Dual	1
14	100269	Brake Lever		1
15	100448	Cable Ties	to secure cables	N.S.
16	100192	Kill Button	Earlier Models 65 — 71	N.S.
17	100860	Twist Grip Assy.	Incl. Items 4, 5, 7 & 10	N.S.
18	100296	1972 Throttle Cable Conversion	Incl. 8, 9, 11, & 17	
19	100297	1972 Handle Bar Conversion	Incl. 6, 8, 11, 12, 13 & 17 (and 100509 N.S.)	
20	100014	Rear Brake Cable	Mk IV Auto	N.S.
21	200940	Rear Brake Kit	For Auto only	N.S.
22	100283	Screw, TH Cable Stop	Self Tap	N.S.

\* Not Supplied as a single part

X - Assembly

N.S. - Not Shown

# HANDLE BAR ASSY. - MK III AUTO.



## HANDLE BAR ASSY. — MK III AUTO.

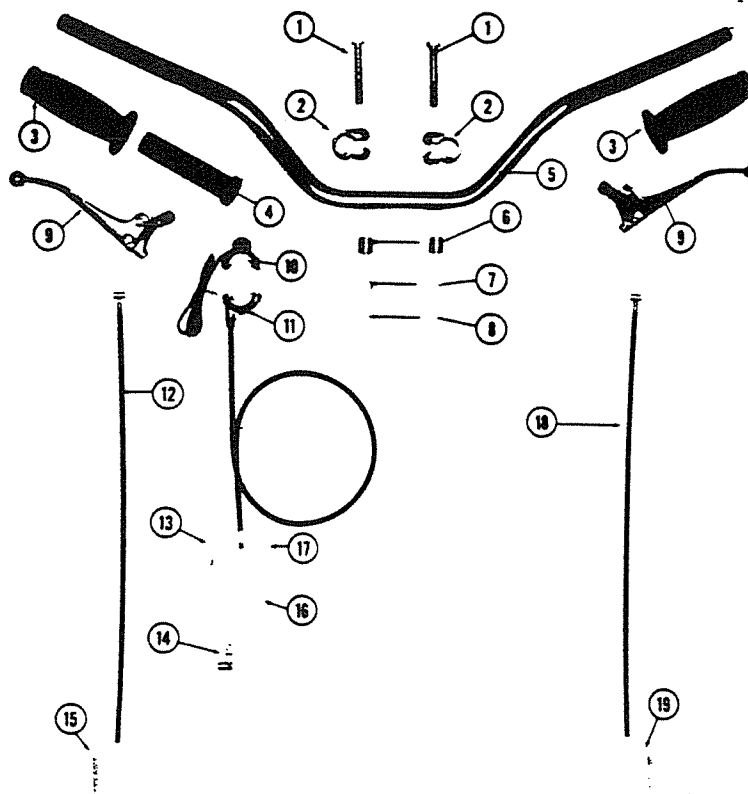
ITEM	PART NO.	NAME	DESCRIPTION	QTY.
1	100573	Screw	$\frac{3}{8}$ — 24 x $1\frac{3}{4}$	2
2	100031	Handle Bar Clamp		2
3	100071	Grips		2
4	100842	Plastic Handle		2
5	100862	Kill Button Assy.		1
6	100466	Handle Bar		1
7	100861	Throttle Cable Assy.	as shown	1
8	100864	Throttle Cable Stop		1
9	100863	Throttle Shaft Linkage		1
10	.	Nut	$\frac{1}{4}$ — 20	1
11	100559	Throttle Spring		1
12	100015	Brake Cable	Front Dual	1
13	100787	Brake Spring	Rear	1
14	100820	Brake Lever Right	Magura	1
15	100821	Brake Lever Left	Magura	1
16	100014	Brake Cable	Rear	1
17	100788	Spring	Brake	1
18	100448	Cable Ties	to secure cables	N.S. 4
19	100192	Kill Button Assy.	Earlier Models 65 — 71	N.S. 1
20	100860	Twist Grip Assy.	Incl. 4, 5, 7 & 10	N.S. 1
21	100283	Screw, TH Cable Stop	Self Tap	1

\* Not Supplied as a single part

X - Assembly

N.S. - Not Shown

# HANDLE BAR ASSY. - RT 140



## HANDLE BAR ASSY. — RT 140

ITEM	PART NO.	NAME	DESCRIPTION	QTY.
1	100571	Screw	$\frac{3}{8}$ — 24 x $2\frac{1}{2}$	2
2	100031	Handle Bar Clamp		2
3	100071	Grips		2
4	100842	Plastic Handle		2
5	100466	Handle Bar		1
6	100522	Spacer		1
7	100288	Washer		2
8	100212	Nut	$\frac{3}{16}$ Spring L/W	2
9	100269	Brake Lever	$\frac{3}{8}$ — 24	2
10	100862	Kill Button Assy.		2
11	100861	Throttle Cable Assy.		1
12	100013	Brake Cable	Front	1
13	100864	Throttle Cable Stop		1
14	100863	Throttle Shaft Linkage		1
15	100786	Brake Spring	Front	1
16	100559	Throttle Spring		1
17	*	Nut	$\frac{1}{4}$ — 20	1
18	100014	Brake Cable	Rear	1
19	100787	Brake Spring	Rear	1
20	100448	Cable Ties	to secure cables	N.S.
21	100860	Twist Grip Assy.	Incl. 4, 10, 11, 17	N.S.
22	100283	Screw, TH. Cable Stop	Self Tap	N.S.

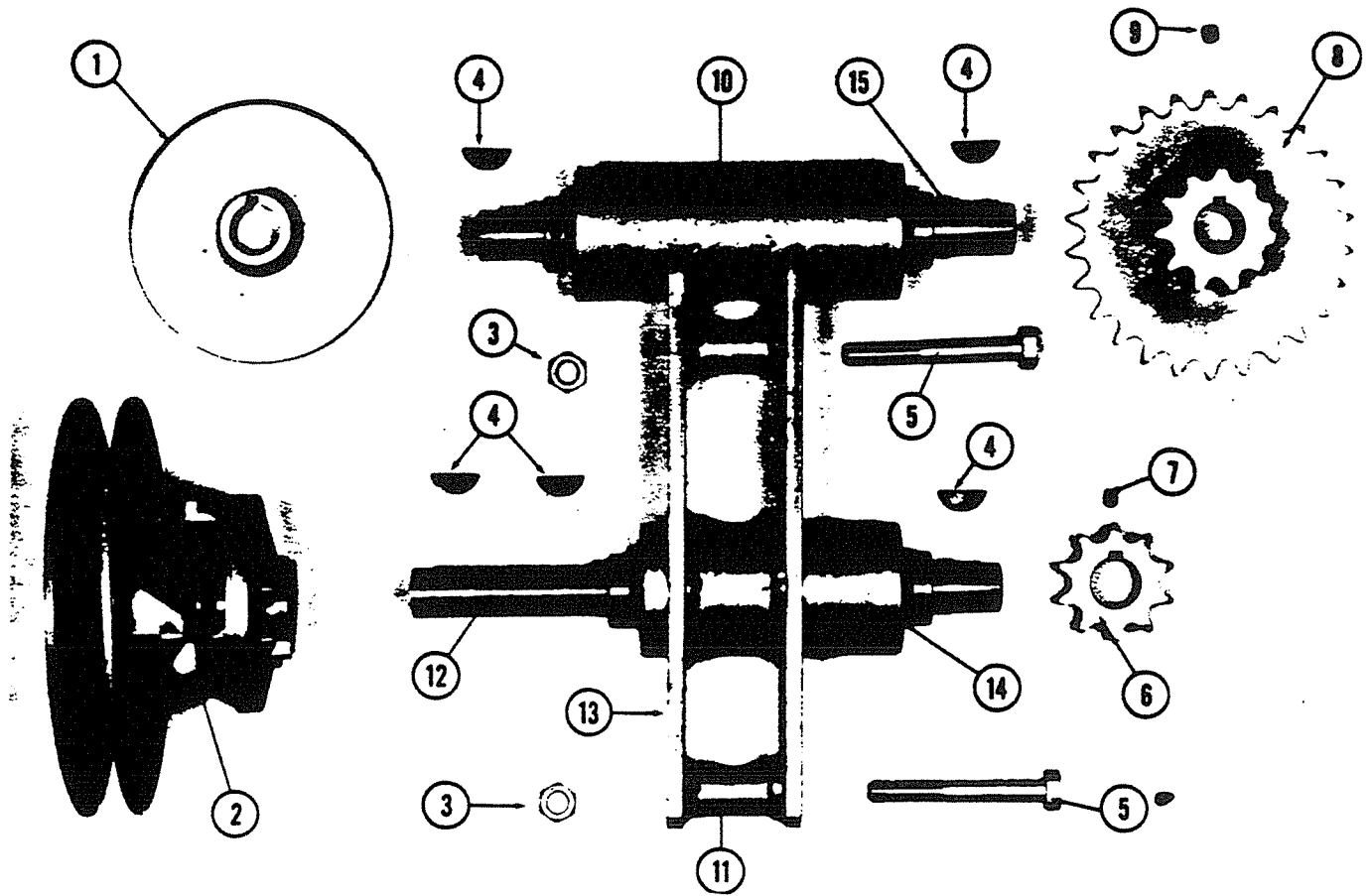
\* Not Supplied as a single part

X - Assembly

N.S. - Not Shown



# JACK SHAFT COMPONENTS RT 140



## JACK SHAFT COMPONENTS — RT 140

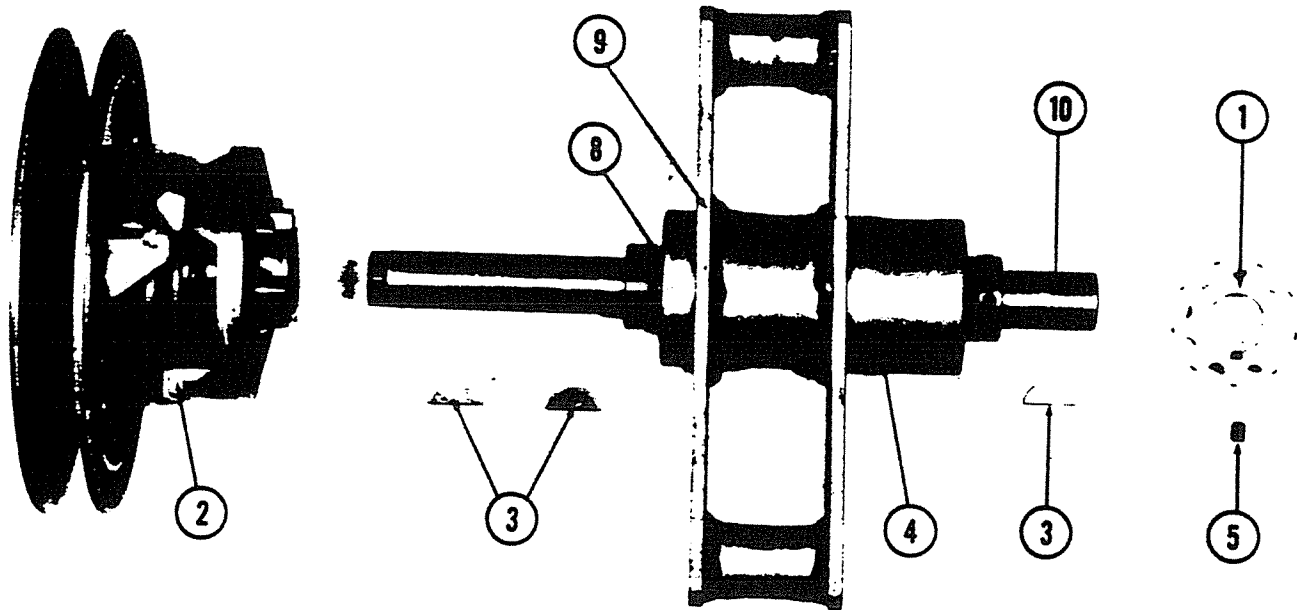
ITEM	PART NO.	NAME	DESCRIPTION	QTY.
1	100610	Brake Disc		1
2	100884	Torque Converter	Rear (Driven)	1
3	100547	Nut	$\frac{3}{8}$ — 24 — lock nut	2
4	100043	Key	#9 Woodruff	5
5	100571	Screw	$\frac{3}{8}$ — 24 x $2\frac{1}{2}$	2
6	100463	Sprocket	10 — T — #40	1
7	100042	Set Screw	$\frac{1}{4}$ — 28 x $\frac{1}{4}$	1
8	100489	Sprocket	$\frac{11}{26}$ #40	1
9	100042	Set Screw	$\frac{1}{4}$ — 28 x $\frac{1}{4}$	1
10	100932	Jack Shaft Sub — Assy.	Incl. Items 12, 13, 14 & 15	1
11	100490	Jack Shaft Assy.	Incl. Items 1, 3, 4, 5, 6, 7, 8, 9, 10, N.S.	1
12	100487	Lower Shaft		1
13	100600	Housing — Weldment		1
14	100482	Bearing		4
15	100486	Upper Shaft		1

\* Not Supplied as a single part

X - Assembly

N.S. - Not Shown

# JACK SHAFT COMPONENTS - MK III AUTO. & MK IV AUTO.



## JACK SHAFT COMPONENTS — MK III AUTO. & MK IV AUTO.

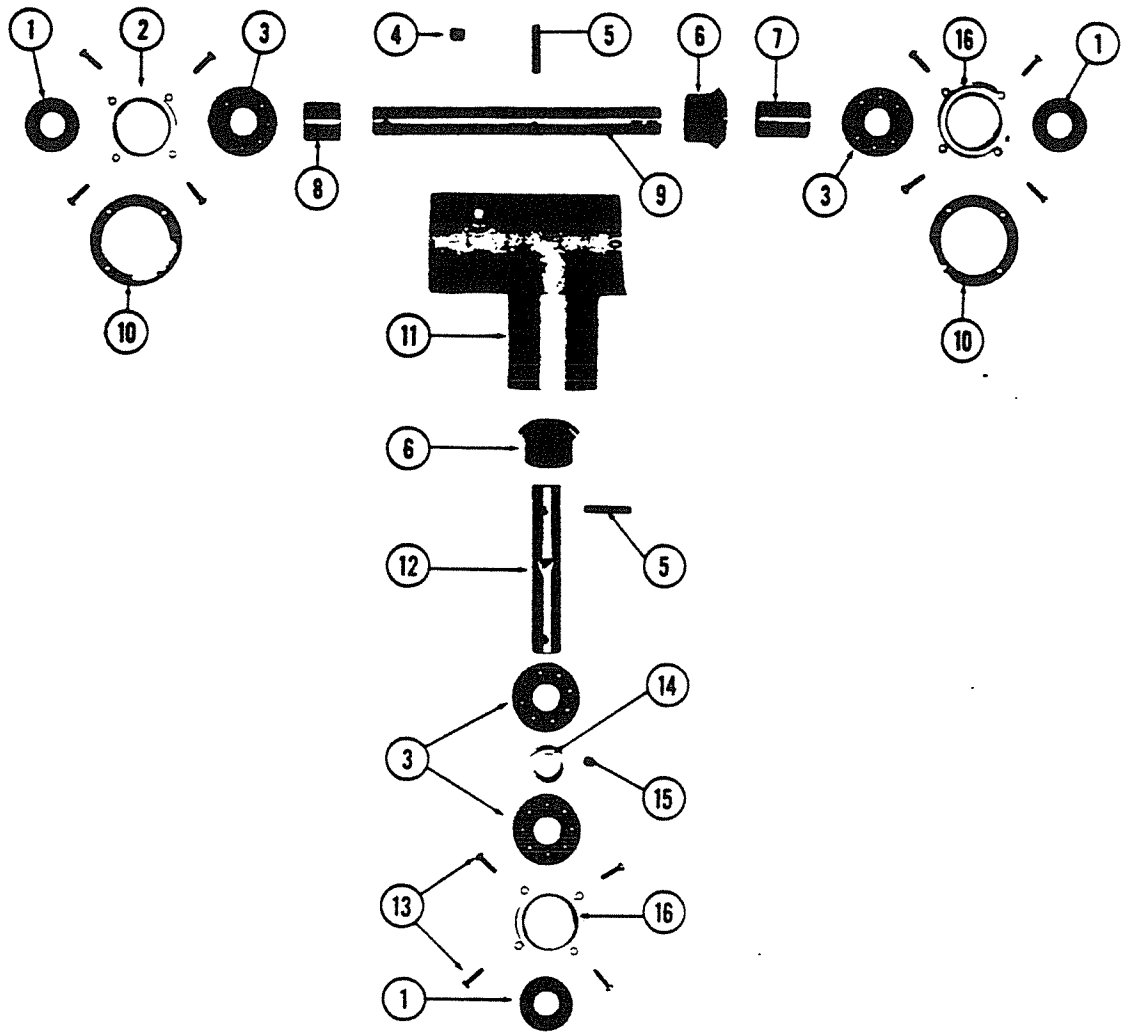
ITEM	PART NO.	NAME	DESCRIPTION	QTY.
1	100613	Sprocket	9 Tooth #40	1
2	100884	Torque Converter	Rear (driven)	1
3	100043	Key	#9 Woodruff	3
4	100936	Jackshaft, sub-assy. (single)	Incl. 8, 9 & 10	1
5	100042	Set Screw	1/4 — 28 x 1/4	1
6	100571	Screw, Jack Shaft Mounting	3/8 — 24 x 2 1/2	N.S.
7	100547	Nut	3/8 — 24 Lock nut	N.S.
8	100482	Bearing		2
9	100679	Housing — Weldment		1
10	100488	Shaft		1
11	100678	Jackshaft Assy.	Incl. Items 1, 2, 3, 4, 5, 6 & 7	1

\* Not Supplied as a single part

X - Assembly

N.S. - Not Shown

# FRONT MITER BOX - ALL TWO-WHEEL DRIVE MODELS



## FRONT MITER BOX — ALL TWO-WHEEL DRIVE MODELS

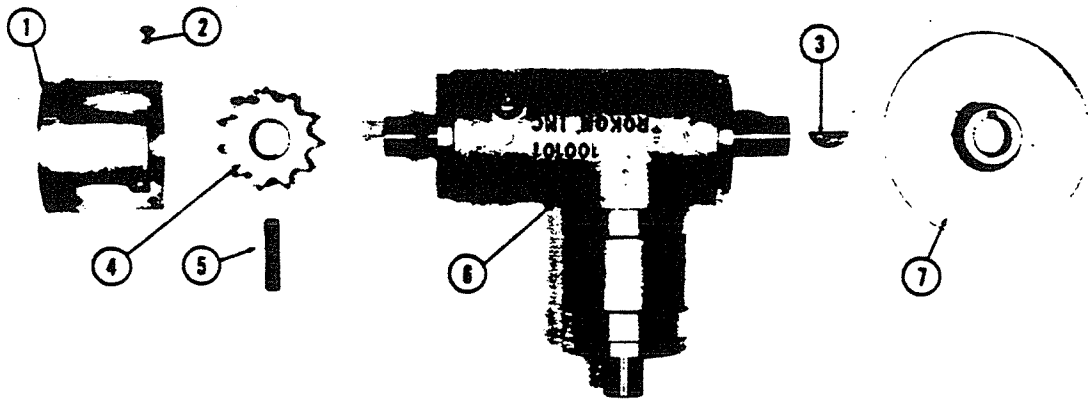
ITEM	PART NO.	NAME	DESCRIPTION	QTY.
1	100161	Oil Seal		3
2	100111	End Cap (left front)		1
3	100158	Bearing		4
4	100163	Plug		1
5	100045	Roll Pin	Pipe 3/16 x 1 1/4	2
6	100160	Miter Gear		2
7	100107	Spacer, Long		1
8	100106	Spacer, Short		1
9	100105	Sprocket Shaft		1
10	100103	Shim		1
11	100099	Housing	as required Front Miter	2
12	100109	Shaft, drive		1
13	100162	Screw	6 — 32 x 9/16	12
14	100108	Spacer, Line		1
15	100042	Set Screw	1/4 — 28 x 1/4	1
16	100112	End cap (right front & rear)		2

\* Not Supplied as a single part

X - Assembly

N.S. - Not Shown

## FRONT MITER BOX - MK III EXP.

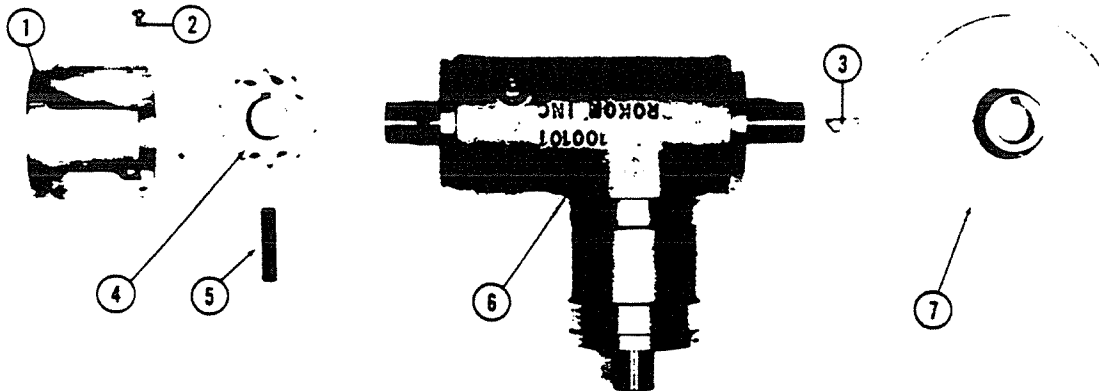


### FRONT MITER BOX — MK III EXP.

ITEM	PART NO.	NAME	DESCRIPTION	QTY.
1	100754	Chain Guard	Front	1
2	100459	Screw	6 — 32 x 1/4 self tap	3
3	100043	Key	#9 Woodruff	1
4	100040	Sprocket	11 tooth #40	1
5	100270	Roll Pin	1/4 x 1 3/8	1
6	100100	Miter Box	Front — MK III	1
7	100610	Brake Disc		1

\* Not Supplied as a single part      X - Assembly      N.S. - Not Shown

## FRONT MITER BOX - MK IV STD.

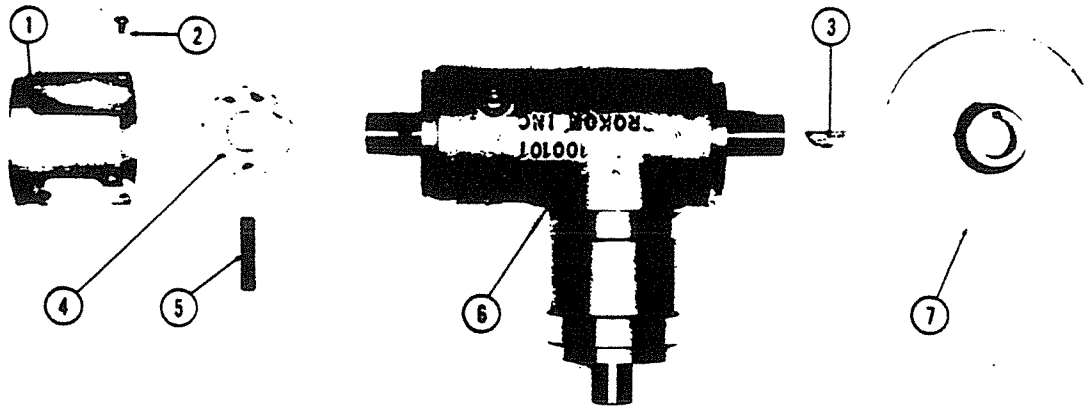


### FRONT MITER BOX — MK IV STD.

ITEM	PART NO.	NAME	DESCRIPTION	QTY.
1	100754	Chain Guard	Front	1
2	100459	Screw	6 — 32 x 1/4 self Tap	3
3	100043	Key	#9 Woodruff	1
4	100949	Sprocket (with roll pin hole)	10 — tooth #40	1
5	100270	Roll Pin	1/4 x 1 3/8	1
6	100100	Miter Box	Front — MK IV std.	1
7	100610	Brake Disc		1

\* Not Supplied as a single part      X - Assembly      N.S. - Not Shown

# FRONT MITER BOX - MK III AUTO. & MK IV AUTO.



## FRONT MITER BOX — MK III AUTO. & MK IV AUTO.

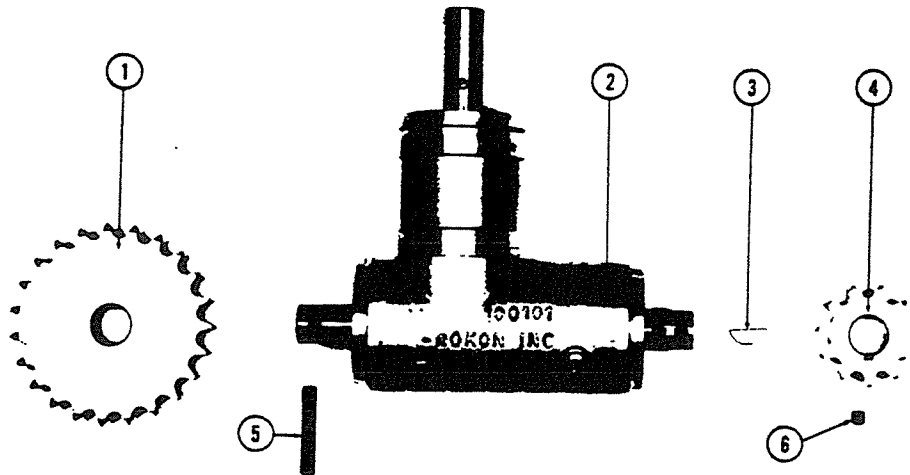
ITEM	PART NO.	NAME	DESCRIPTION	QTY.
1	100754	Chain Guard	Front	1
2	100459	Screw	6 — 32 x 1/4 self tap	3
3	100043	Key	#9 Woodruff	1
4	100612	Sprocket	9 Tooth # 40	1
5	100270	Roll Pin	1/4 x 1 3/8	1
6	100100	Miter Box	Front — Mk IIIA & MK IVA	1
7	100610	Brake Disc		1

\* Not Supplied as a single part

X - Assembly

N.S. - Not Shown

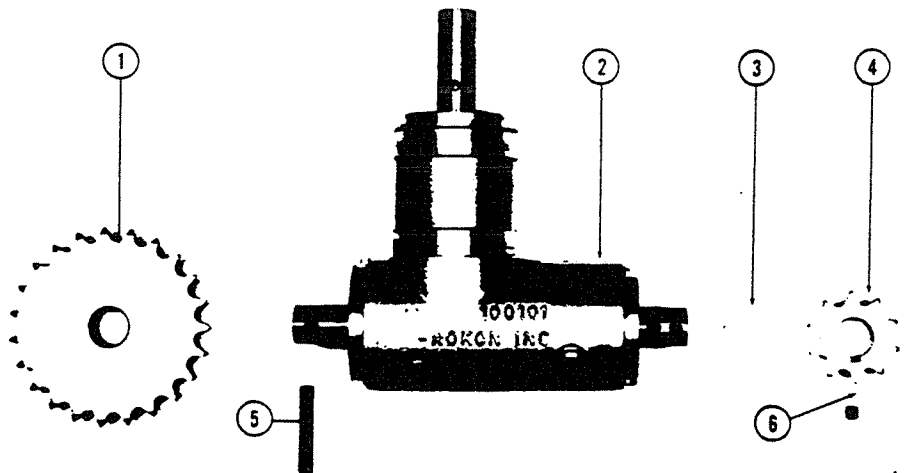
## REAR MITER BOX - MK III EXP.



**REAR MITER BOX — MK III EXP.**

ITEM	PART NO.	NAME	DESCRIPTION	QTY.
1	100264	Sprocket	23 — Tooth #40	1
2	100140	Miter Box	Rear Mk III Exp.	1
3	100043	Key	#9 Woodruff	1
4	100041	Sprocket	11 Tooth #40	1
5	100272	Roll Pin	$\frac{1}{4}$ x $1\frac{3}{4}$	1
6	100042	Set Screw	$\frac{1}{4}$ — 28 x $\frac{1}{4}$	1
		* Not Supplied as a single part	X - Assembly	N.S. - Not Shown

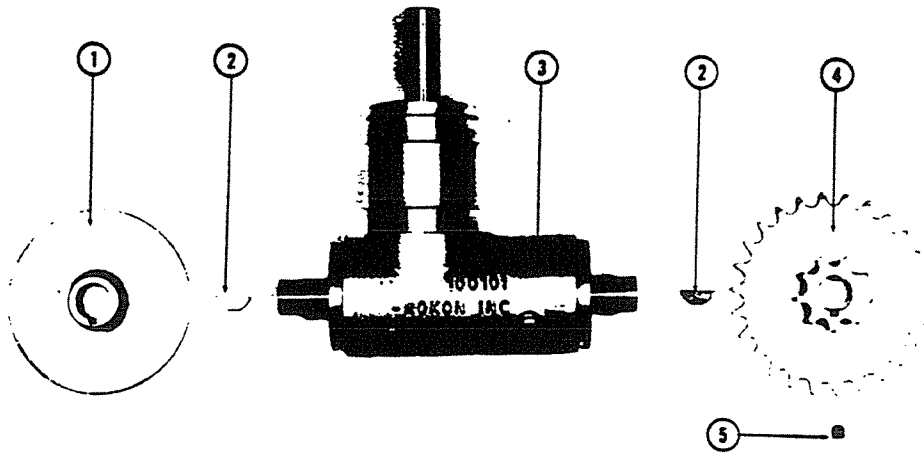
## REAR MITER BOX - MK IV STD.



**REAR MITER BOX — MK IV STD.**

ITEM	PART NO.	NAME	DESCRIPTION	QTY.
1	100264	Sprocket	23 Tooth #40	1
2	100140	Miter Box	Rear — Mk IV Std.	1
3	100043	Key	#9 Woodruff	1
4	100463	Sprocket	10 tooth #40	1
5	100272	Roll Pin	$\frac{1}{4}$ x $1\frac{3}{4}$	1
6	100042	Set Screw	$\frac{1}{4}$ — 28 x $\frac{1}{4}$	1
7	100426	Rear Sprocket Guard		1
		* Not Supplied as a single part	X - Assembly	N.S. - Not Shown

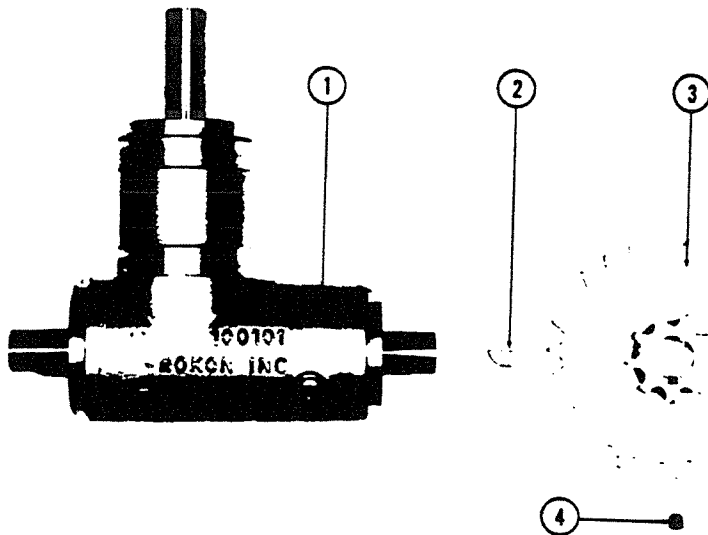
## REAR MITER BOX - MK III AUTO.



**REAR MITER BOX — MK III AUTO.**

ITEM	PART NO.	NAME	DESCRIPTION	QTY.
1	100610	Brake Disc		1
2	100043	Key		2
3	100140	Miter Box	#9 Woodruff	1
4	100611	Sprocket Assy.	Rear Mk IIIA	1
5	100042	Set Screw	9/26 Tooth #40	1
			1/4 — 28 x 1/4	1
		* Not Supplied as a single part	X - Assembly	N.S. - Not Shown

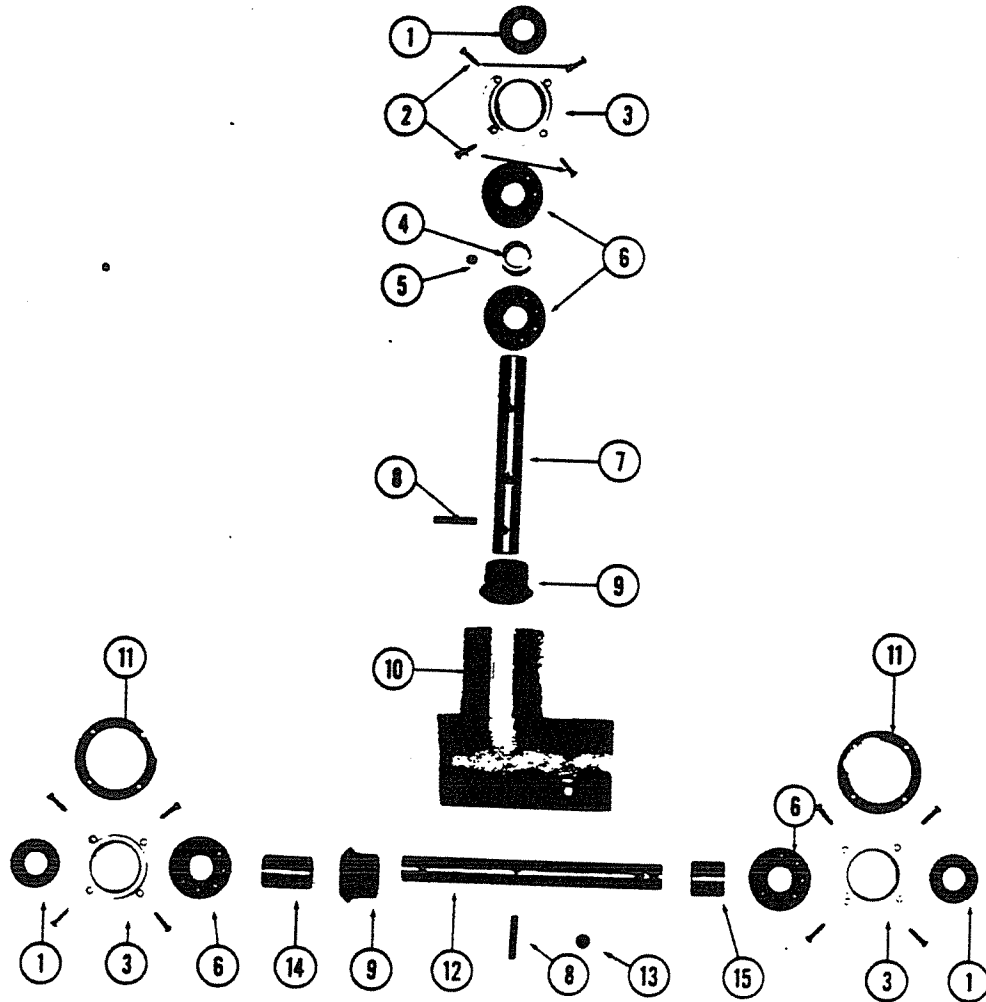
## REAR MITER BOX - MK IV AUTO.



**REAR MITER BOX — MK IV AUTO.**

ITEM	PART NO.	NAME	DESCRIPTION	QTY.
1	100140	Miter Box		1
2	100043	Key		1
3	100611	Sprocket Assy.	Rear — Mk IVA	1
4	100042	Set Screw	#9 Woodruff	1
			9/26 Tooth #40	1
			1/4 — 28 x 1/4	1
		* Not Supplied as a single part	X - Assembly	N.S. - Not Shown

# REAR MITER BOX - ALL TWO-WHEEL DRIVE MODELS



## REAR MITER BOX — ALL TWO-WHEEL DRIVE MODELS

ITEM	PART NO.	NAME	DESCRIPTION	QTY.
1	100161	Oil Seal		3
2	100162	Screw		12
3	100112	End Cap	6 — 32 x 9/16	3
4	100108	Spacer Line		1
5	100042	Set Screw	1/4 — 28 x 1/4	4
6	100158	Bearing		1
7	100142	Shaft, Drive	3/16 x 1 1/4	2
8	100045	Roll Pin		2
9	100160	Miter Gear		1
10	100098	Housing	Rear Miter	2
11	100103	Shim	As required	1
12	100141	Sprocket Shaft		2
13	100163	Plug		1
14	100107	Spacer, Long	Pipe	1
15	100106	Spacer		1

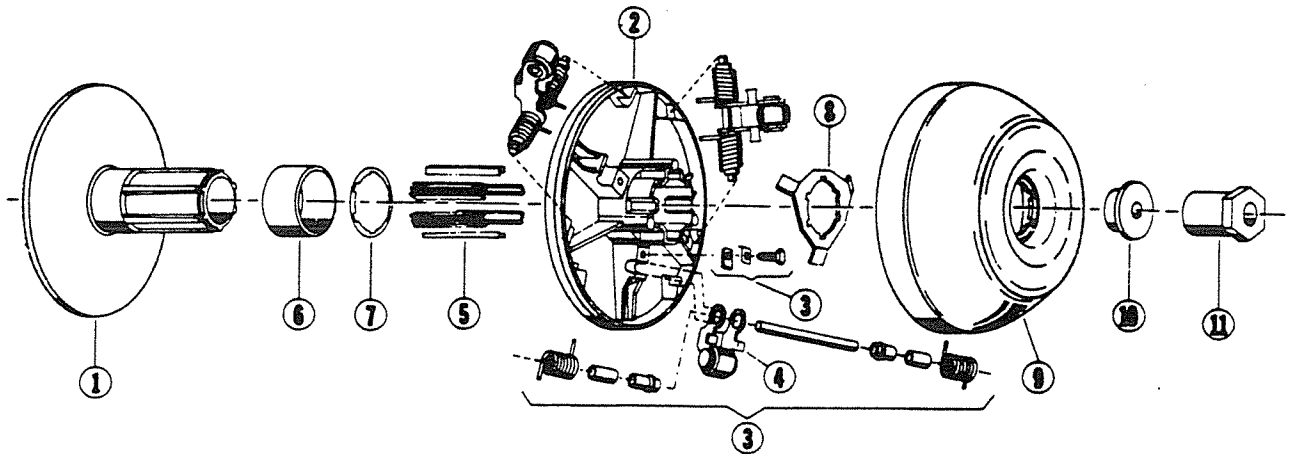
\* Not Supplied as a single part

X - Assembly

N.S. - Not Shown



# TORQUE CONVERTER DRIVE PULLEY



## TORQUE CONVERTER DRIVE PULLEY

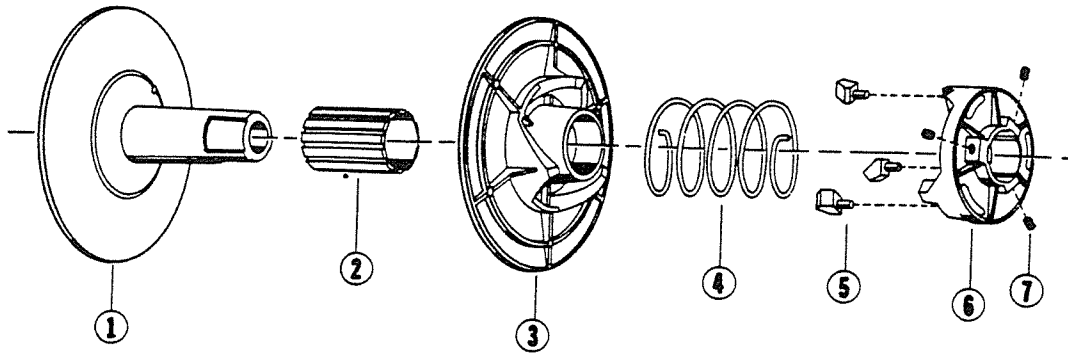
ITEM	PART NO.	NAME	DESCRIPTION	QTY.
1	703209	Fixed Face & Hub Assy.		1
2	601319	Movable Face Assy.	Incl. Items 3 & 4	1
3	690144	Kit	Springs, Pins & Bushings	1
4	690146	Kit	Roller Arm Assy.	1
5	703128	Liner	Spline	6
6	703116	Bearing	Idler	1
7	703127	Washer	Idler Bearing	1
8	703129	Retractor		1
9	703151	Plate	Ramp	1
10	703211	Washer	Ramp Plate retaining	1
11	100493	Nut	Engine Shaft	1

\* Not Supplied as a single part

X - Assembly

N.S. - Not Shown

# TORQUE CONVERTER DRIVEN PULLEY



## TORQUE CONVERTER DRIVEN PULLEY

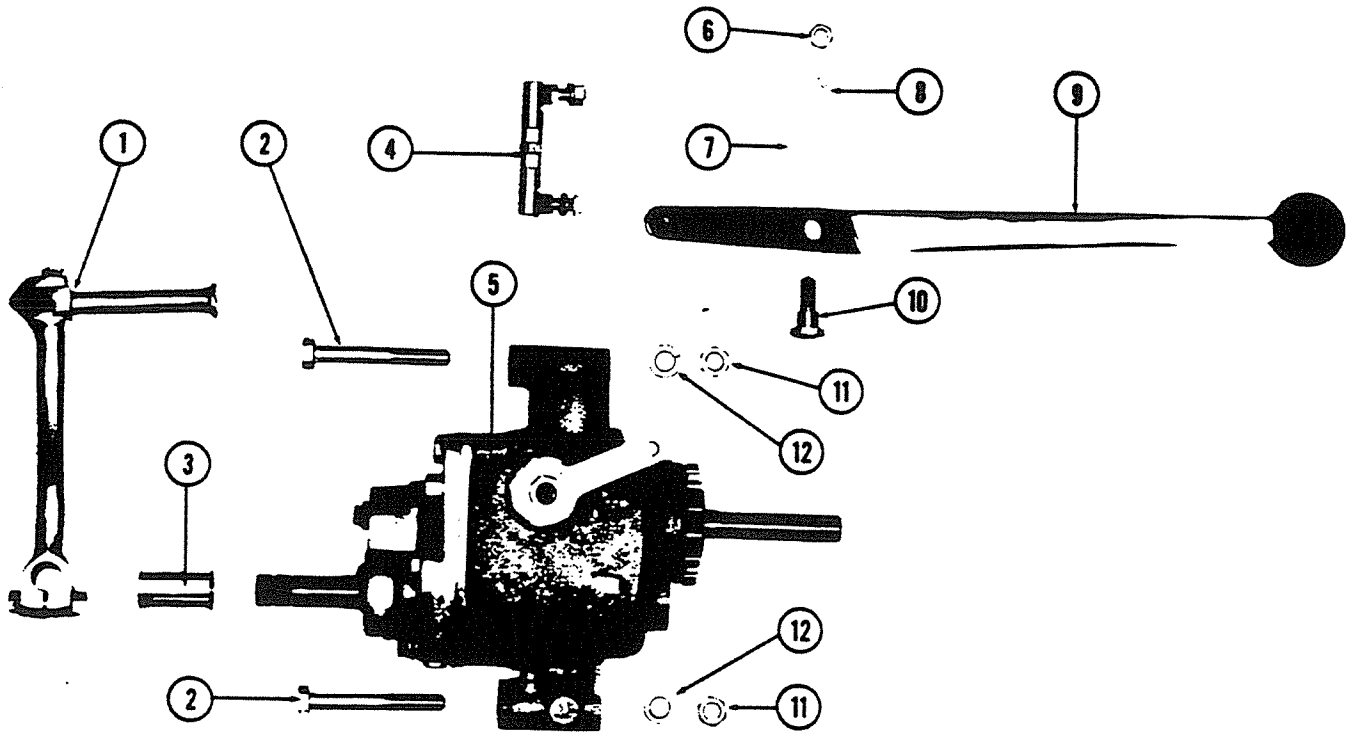
ITEM	PART NO.	NAME	DESCRIPTION	QTY.
1	601311	Hub — fixed face		1
2	703110	Bearing		1
3	703109	Movable Face		1
4	703111	Spring		1
5	703113	Button Shoe Ramp		1
6	601272	Torque Bracket	Incl. Items 5 & 7	3
7	901709	Set Screw		1

\* Not Supplied as a single part

X - Assembly

N.S. - Not Shown

# TRANSMISSION - GENERAL



## TRANSMISSION — GENERAL

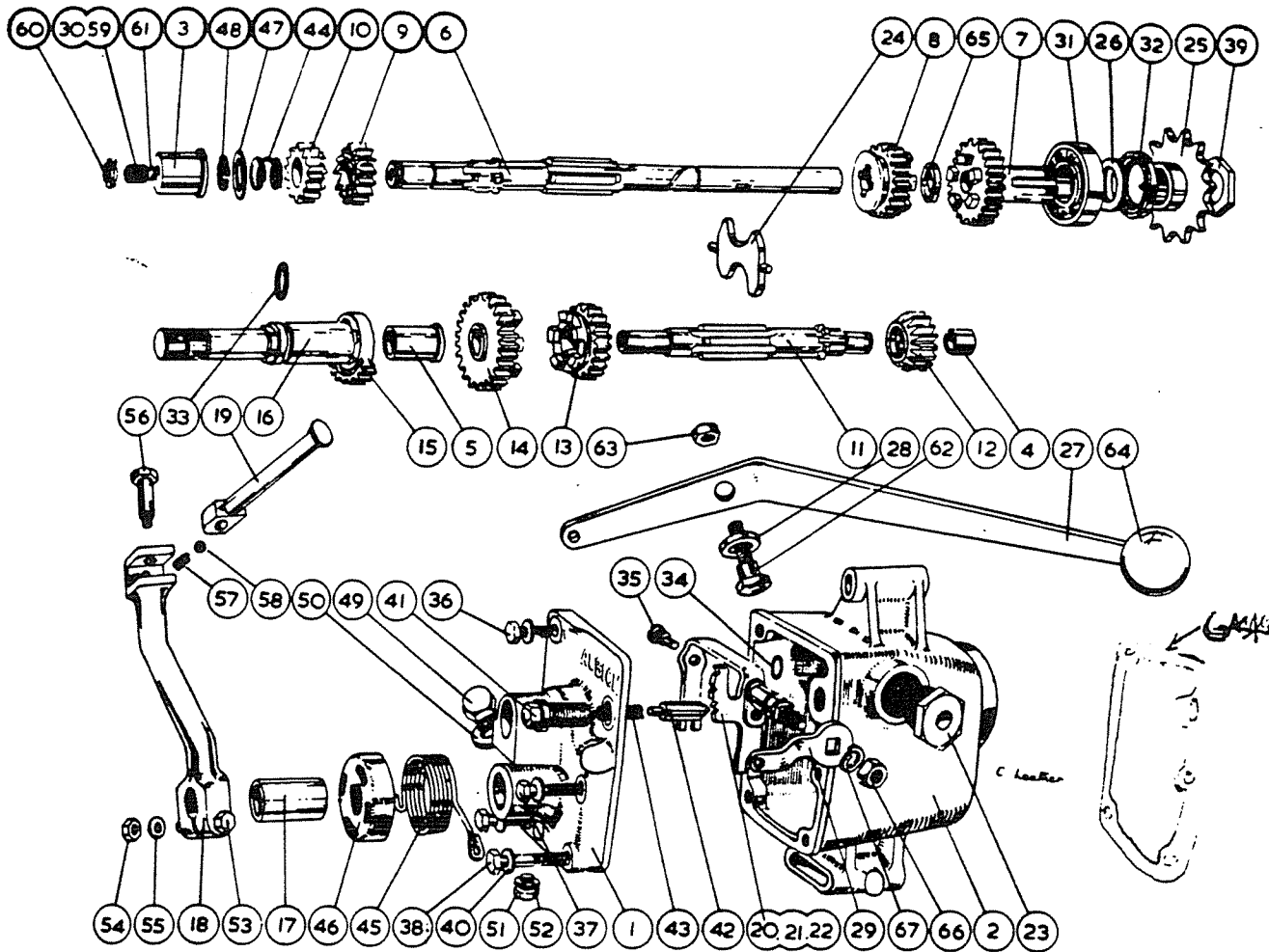
ITEM	PART NO.	NAME	DESCRIPTION	QTY.
1	100950	Kick Start Lever Assy.		1
2	100571	Mounting Bolts (Trans)	$\frac{3}{8}$ — 24 x 2 $\frac{1}{2}$	2
3	EJ-34A	Kickstart Shaft Distance Tube		1
4	100188	Shift Linkage Assy.	2 — rod ends & stud	1
5	100017	Transmission	Albion #020	1
6	100244	Nut	$\frac{5}{16}$ x 26	1
7	100242	Control Lever Spacer	as required	1
8	100039	Washer	Spring L/W — $\frac{5}{16}$	1
9	100241	Control Lever	BJ — 11	1
10	100243	Shoulder Pin	EJ — 35	1
11	100212	Nut	$\frac{3}{8}$ — 24	2
12	100288	Washer	Spring L/W — $\frac{3}{8}$	2
13	100240	Shift Lever Assy.	NS. Includes Items 4, 6, 7, 8, 9, 10	1

\* Not Supplied as a single part

X - Assembly

N.S. - Not Shown

# TRANSMISSION - MK III EXP. - MK IV STD.



## TRANSMISSION — MK III EXP. — MK IV STD.

ITEM	PART NO.	NAME	DESCRIPTION	QTY.
1	EJ 1	Cover		
2	EJ 2/P	Case — pivot fixing		
3	EJ 13	Mainshaft adjuster bush		
4	EJ 7	Layshaft box bush		
5	EJ 30	Layshaft bush — inner segment		
6	EJ 3	Mainshaft	Special, Rokon	
7	EJ 4	Mainshaft high gear pinion 22.T		
8	EJ 8	Mainshaft sliding gear 18.T		
9	EJ 28	Mainshaft low gear pinion 13.T		
10	EJ 29/1	Kickstart ratchet pinion 14.T		
11	EJ 6	Layshaft		
12	EJ 5	Layshaft high gear pinion 14.T		
13	EJ 9	Layshaft sliding gear 18.T		
14	EJ 10	Layshaft low gear pinion 23.T		
15	EJ 27/1	Kickstart segment		

**TRANSMISSION — MK III EXP. — MK IV STD. (cont.)**

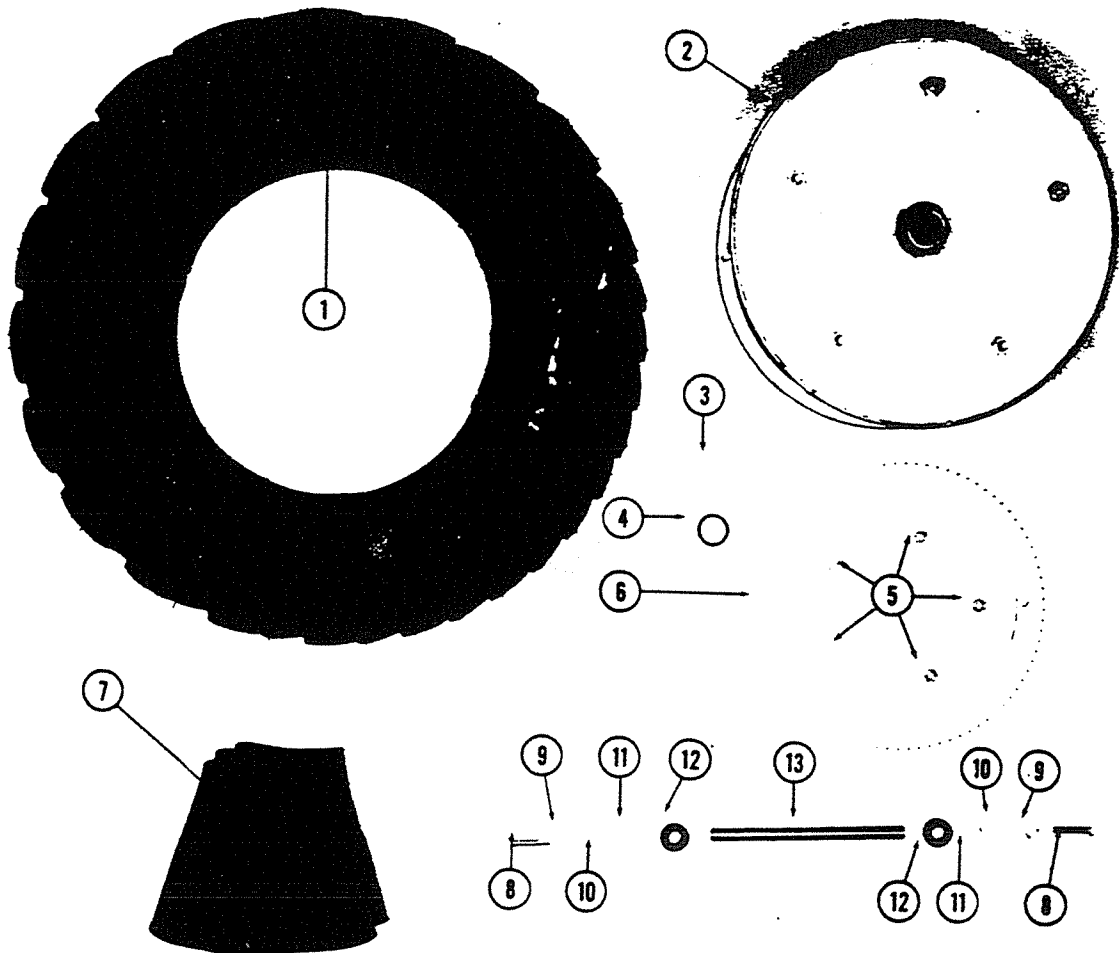
ITEM	PART NO.	NAME	DESCRIPTION	QTY.
16	EJ 34	Kickstart shaft	serrated	
17	EJ 34a	Kickstart shaft distance tube		
18	CJ 8	Kickstart crank		
19		Kickstart crank pedal		
20	EJ 11/12	Inside operator — bow	see note #5	
21	EJ 11/12	Inside operator — shaft	see note #5	
22	EJ 11/12	Inside operator — whaft rivet	see note #5	
23	EJ 14	Operator bush	see note #5	
24	EJ 16	Operator fork		
25	BJ 126	Final drive sprocket	14.T 1/2" x 305"	
26		Sprocket spacer		
27	241	Control lever	BJ 11	
28	242	Control lever spacer		
29	EJ 47c	Side lever		
30		Hardened pad	see note #6	
31	A 5	Ballrace	20 x 47 x 14 m/m 120.V2	
32	A 35/1	Oilseal	1 5/8" x 1 5/32" x 3/16"	
33		O - Ring	5/8"	
34	EJ 13	O - Ring	R.2068/P.S.	
35	EJ 15	Anchor pin		
36	EJ 23	Cover pin	1/4" x 20 x 9/16" hex head	
37	EJ 23	Cover pin (3 per transmission)	1/4" x 20 x 1" hex head	
38	EJ 23	Cover pin	1/4" x 20 x 13/16" hex head	
39	A 14	Sprocket lock nut		
40		Washer	1/4" dia. (5 per transmission)	
41	BJ 16	Plunger box		
42	BJ 18	Plunger		
43	BJ 17	Plunger spring		
44	C 15	Kickstart ratchet spring		
45	CJ 7	Kickstart return spring		
46	CJ 6	Kickstart return spring cover		
47	C 124	Mainshaft washer		
48	C 124	Split ring		
49	BJ 23	Filler plug	7/16" whit	
50	BJ 23a	Fiber washer	11/16" x 29/64" x 5/64"	
51	A 24	Drain plug	5/16" whit	
52	A 24a	Fiber washer	9/16" x 5/16" x .080"	
53	C 115	Kickstart crank pin		
54	C 115	Kickstart crank pin nut		
55	C 115	Crank pin washer	5/8" x 5/16" x 1/16"	
56		Crank pedal pin	see note #7	
57		Crank pedal spring	see note #7	
58		Crank pedal ball	1/4" dia. (see note #7)	
59	C 132	Barrel adjuster	see note #6	
60	C 133	Barrel adjuster nut		
61		Ball	17/64" dia. (see note #6)	
62	243	Shoulder pin	EJ-35	
63	244	Nut	5/16" x 26	
64	G 91a	Knob	black 1 1/2" dia.	
65	EJ 36	Thrust washer		
66	EJ 48	Operator nut	3/8" x 26 x 5/16"	
67	EJ 48	Washer	3/8" x single coil	

\* Not Supplied as a single part

X - Assembly

N.S. - Not Shown

# WHEEL COMPONENTS - MK III EXP. & MK III AUTO.



## WHEEL COMPONENTS — MK III EXP. & MK III AUTO.

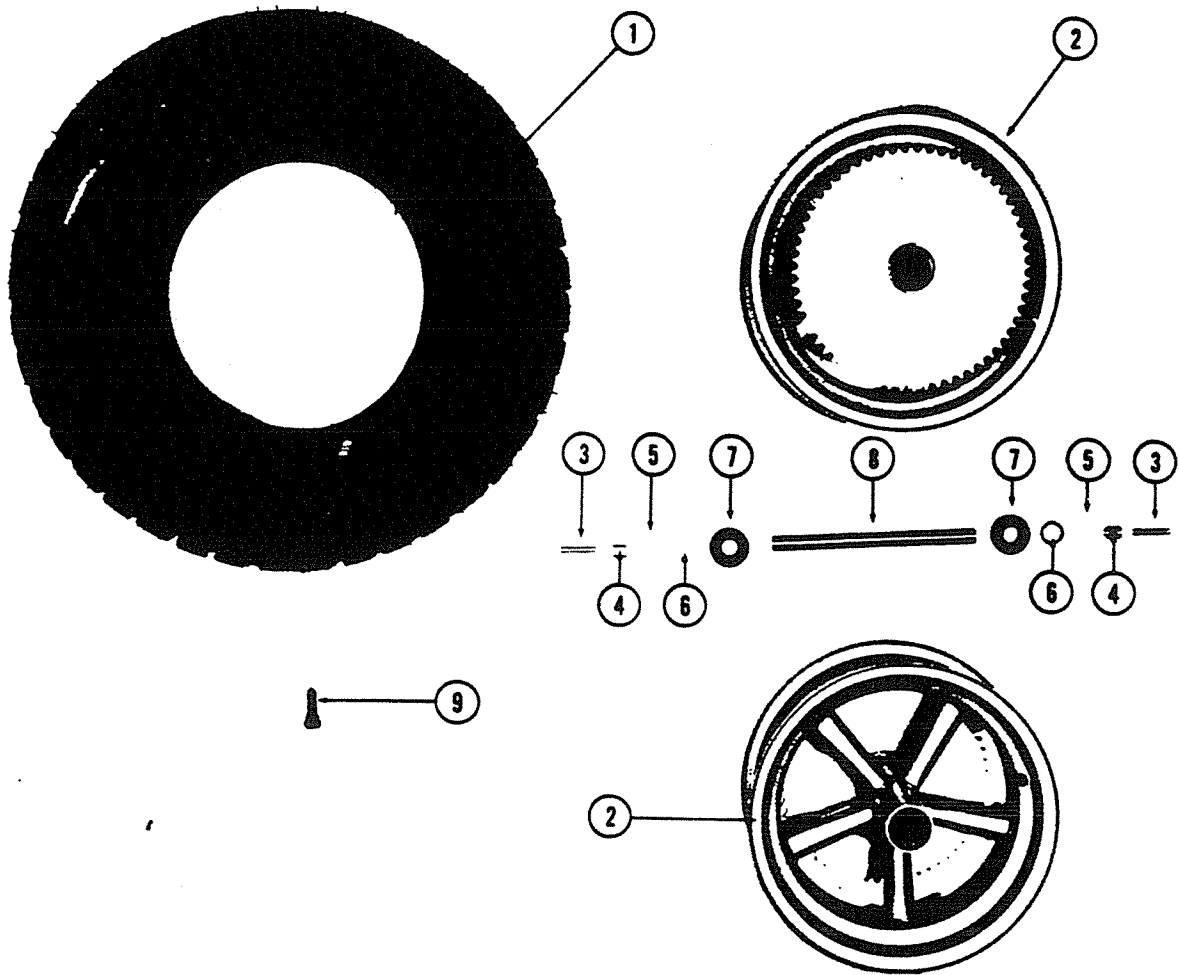
ITEM	PART NO.	NAME	DESCRIPTION	QTY.
1	100520	Tire		1
2	100441	Wheel	6.70 x 15	1
3	100523	Filler Plug	Hollow Type	1
4	100516	Seal		1
5	100547	Locknut	For Filler Plug	1
6	100510	Sprocket	McLean #22UTFJ3824	5
7	100521	Tube	#40 — 84T	1
8	100573	Bolt (axle)	6.70 x 15	1
9	100522	Axle Spacer	3/8 — 24 x 1 3/4	2
10	100208	Washer		1
11	100755	Spacer 100756, 100757	3/8 flat (.275 Long N.S.)	2
12	100517	Bearing	Wheel Retaining (.344 Long N.S.)	2
13	100512	Axle	Wheel (.500 long N.S.)	2
14	100757	Axle Spacer	.500 long sprocket side	1
15	100500	Wheel Assy.	incl. items 1 thru 13	1

\* Not Supplied as a single part

X - Assembly

N.S. - Not Shown

# WHEEL COMPONENTS - MK IV AUTO. & MK IV STD. & RT 140 (REAR ONLY)



## WHEEL COMPONENTS — MK IV AUTO. & MK IV STD. & RT 140 (REAR ONLY)

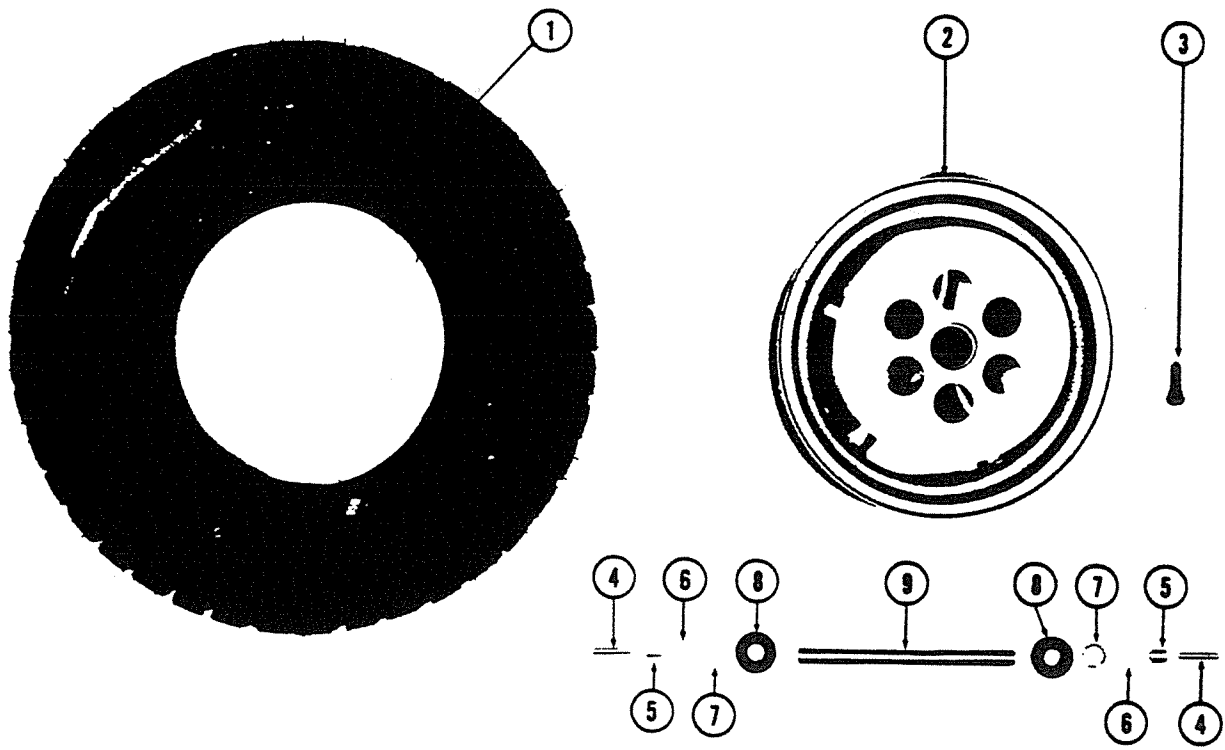
ITEM	PART NO.	NAME	DESCRIPTION	QTY.
1	100836	Tire	8.50 x 12 Hy-Lander	1
2	100116	Wheel	Wheel & Sprocket	1
3	100574	Bolt (axle)	$\frac{3}{8}$ — 24 x 2 Hex Head	2
4	100522	Spacer	as required	2
5	100208	Washer	$\frac{3}{8}$ Flat	2
6	100853	Shim	.125 thick	2
7	100772	Bearing	Wheel	2
8	100405	Axle	Front & Rear	2
9	100542	Valve	TR — 413	1
10	100115	Wheel Assy. (rear)	Incl. items — 1, 2, 7, 9	1
11	100541	Tire	Firestone — 8.50 x 12 Impl.	1
12	100983	Flanged Wheel Bearing Kit	Type — optional (Replaces 100406 Flange Bearing 100299 Shielded Bearing w/ Snap Ring which are now OBS.)	1

\* Not Supplied as a single part

X - Assembly

N.S. - Not Shown

# WHEEL COMPONENTS - RT 140 FRONT



## WHEEL COMPONENTS — RT 140 FRONT

ITEM	PART NO.	NAME	DESCRIPTION	QTY.
1	100836	Tire	8.50 x 12 Hy - Lander	1
2	100391	Wheel	Front	1
3	100542	Valve	TR — 413	1
4	100574	Bolt (axle)	$\frac{3}{8}$ — 24 x 2" — Hex — HD.	2
5		Spacer	Not Required	2
6	100208	Washer	$\frac{3}{8}$ Flat	2
7	100853	Shim	.125 thick	2
8	100772	Bearing	Wheel	2
9	100405	Axle	Front & Rear	2
10	100390	Wheel Assy. (front)	N.S.	1
11	100983	Flanged Wheel Bearing Kit	N.S. (See Disc. Page 43 Item 12)	1

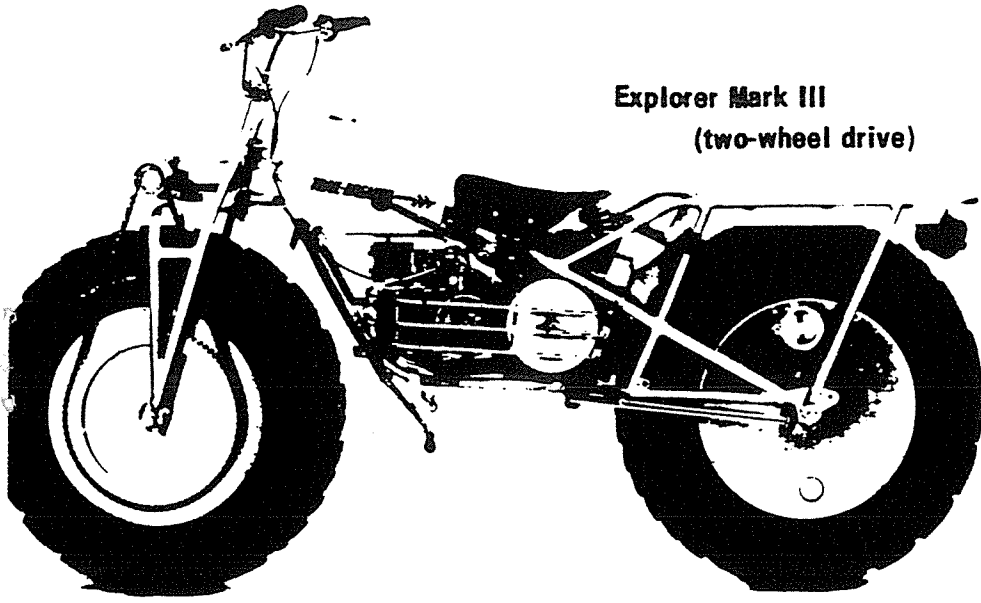
\* Not Supplied as a single part

X - Assembly

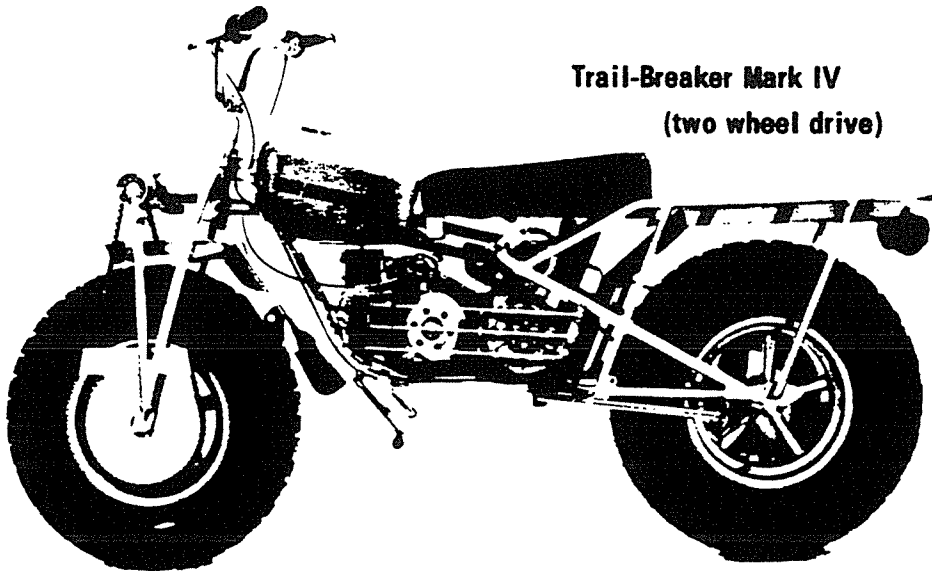
N.S. --Not Shown



**Explorer Mark III**  
(two-wheel drive)



**Trail-Breaker Mark IV**  
(two wheel drive)



**Rokon Trail 140**  
(single wheel drive)

