



OPTIONAL PARTS LIST FOR

BRIDGESTONE MOTORCYCLES

This parts list covers all the accessories, tools and speed kit parts for Bridgestone motorcycles.

JUNE, 1967



BRIDGESTONE TIRE CO., LTD.

TOKYO, JAPAN

CONTENTS

<u>Index No.</u>	<u>Descriptions</u>	<u>Page</u>
1	Engine repair stand.....	1
2	Special tool set.....	2
3	Color paint.....	3
4	Carrier.....	4~6
5	Legshield, wind shield & Safety guard.....	7
6	Spare engine assy.....	8
7	Labels & ornaments.....	9
8	Handle bars & Cables.....	10~11
9	Exclusive parts for return shift.....	12
10	Tank cap with keys, speedometer pinion set & plug cap with radio supresser.....	13
11	Spark plugs.....	14
12	Speed kit parts for BS 50cc & 90cc.....	15~21
13	Scrambler kit parts for BS 50cc & 90cc.....	22~25

1) ENGINE REPAIR STAND

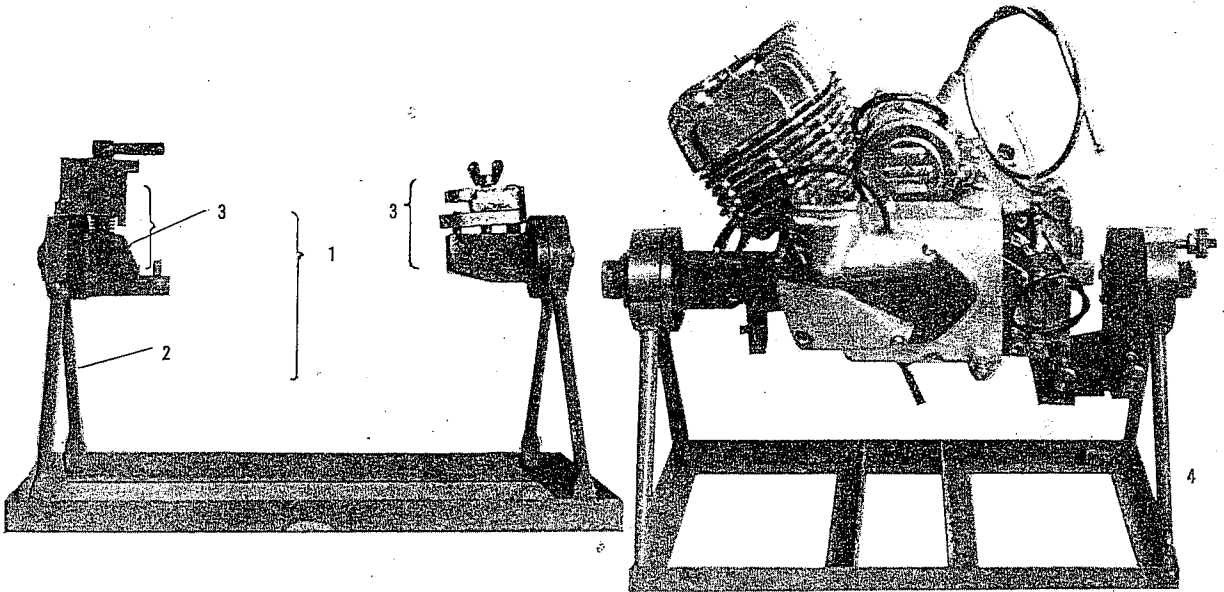


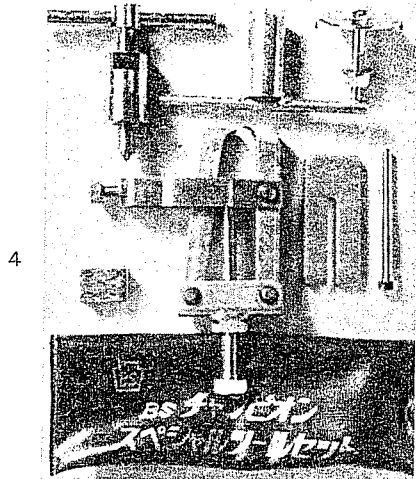
Fig. No.	Part No.	Description	No. Req'd	Unit Price (\$)	Remarks
1	JEIE-A1	Engine stand ass'y	1		For BS90 Series engine
3	JEIE-A101	Attachment	1		—ditto—
1	JEIE-63	Engine stand ass'y	1		For BS7 & BS50HM
3	JEIE-6301	Attachment	1		—ditto—
2	JEIE-6302	Engine repair stand	1		For BS7, 50HM, 50SP, 60SP & 90cc
1	JEIG-B1	Engine stand ass'y	1		For BS50SP, BS60SP
3	JEIG-B101	Attachment	1		—ditto—
4	JEIT-A1	Engine stand ass'y	1		For BS175DT, HS

Remarks

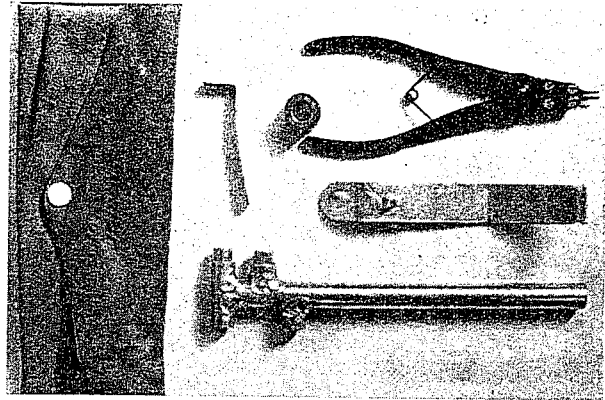
In the above description, attachment means only bracket for repair stand, and Engine repair stand only stand without attachment.

Engine stand ass'y includes stand & attachment.

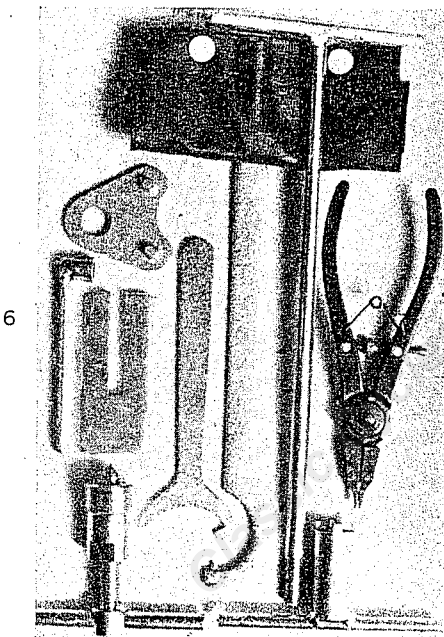
2) SPECIAL TOOL SET



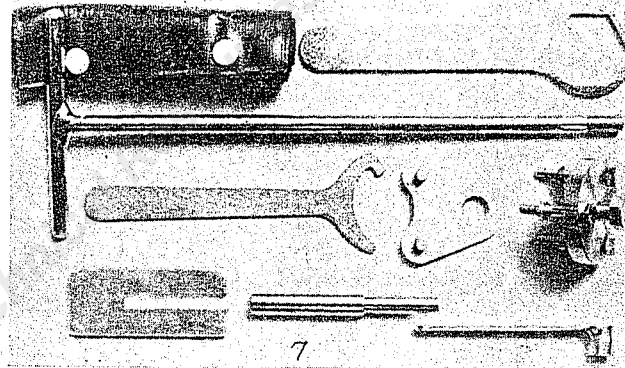
4



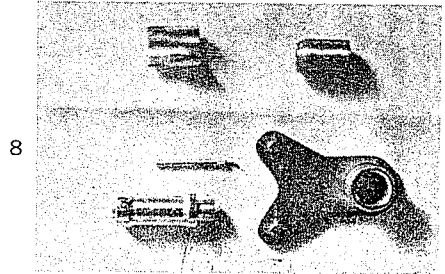
5



6



7



8

Fig. No.	Part No.	Description	No. Req'd	Unit Price (\$)	Remarks
4	9300-3010	Special tool set	1		For BS7
5	9300-3110	Special tool set	1		For BS50HM
6	9300-3210	Special tool set	1		For BS50SP & BS60SP
7	9300-5010	Special tool set	1		For BS90cc series
8	9300-8010	Special tool set	1		For BS175DT & 175HS

3) COLOR PAINT



2) Color Paint

S. No.	Description	Weight	Unit Price (\$)	Min. Q'ty for sale
9	CUR (Red)	1 kg-can		1 can
9	"	4 "		1 "
9	CBK (Black)	1 "		1 "
9	"	4 "		1 "
9	MB (Metallic blue)	1 "		1 "
9	"	4 "		1 "
9	MS (Metallic silver)	1 "		1 "
9	"	4 "		1 "
9	FAR (Candy apple red)	1 "		10 "
9	"	4 "		2 "

4) CARRIERS

1) Light luggage carrier

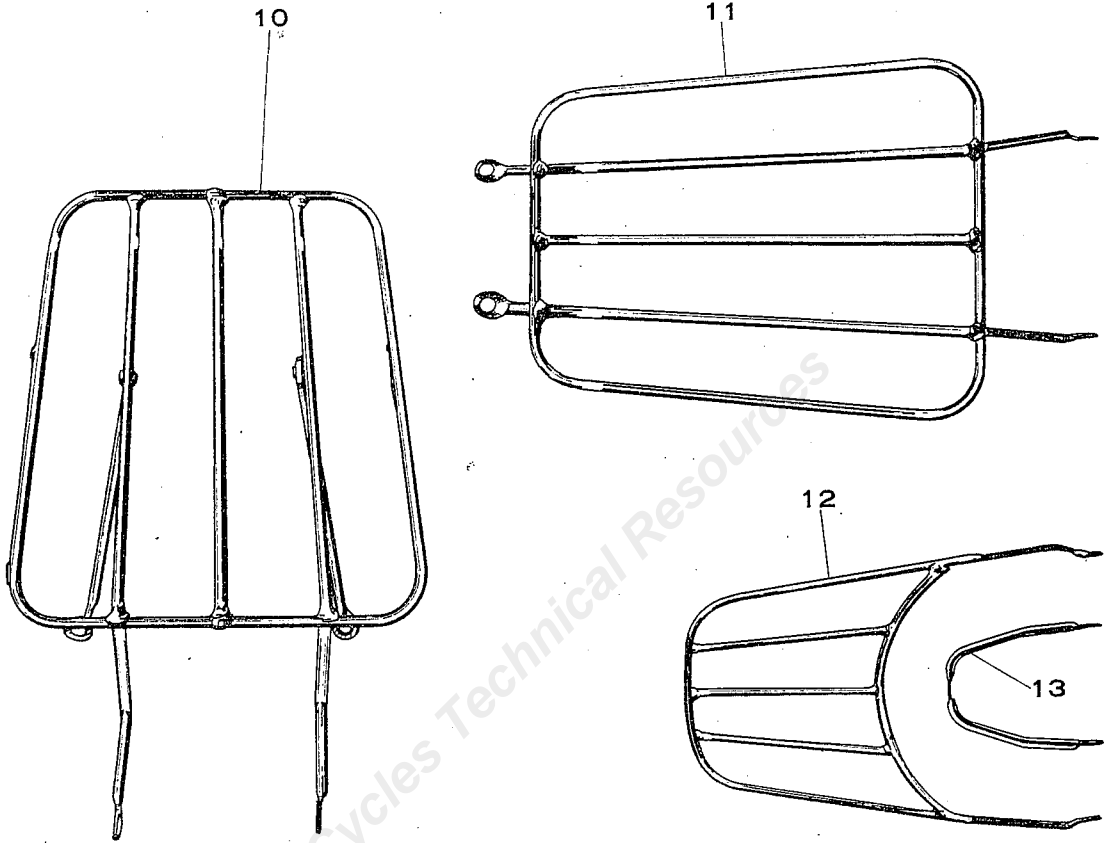


Fig. No.	Part No.	Description	No. Req'd	Unit Price (\$)	Remarks
10	6531-5021	Light luggage carrier	1		For U.S.A. 50SP, 60SP, 90SP (90T, 90D(OI), 90T(OI))
11	6531-3220	Light luggage carrier	1		For BS50SP, 60SP, 50SP(OI) (90D(OI), 90T(OI))
11	6531-5010	Sport luggage carrier	1		For BS90D, 90T
11	6531-5030	Light luggage carrier	1		For BS90SP(OI), 100SP(OI)
11	6531-3010	Sport luggage carrier	1		For BS7
12	6531-8012	Light luggage carrier	1		For BS175DT & 175HS
13	6532-8010	Luggage carrier stay	1		—ditto—

As to Fig 12 and 13, refer to BS175 Parts catalogue on page 32.

4) CARRIERS

2) Heavy carrier

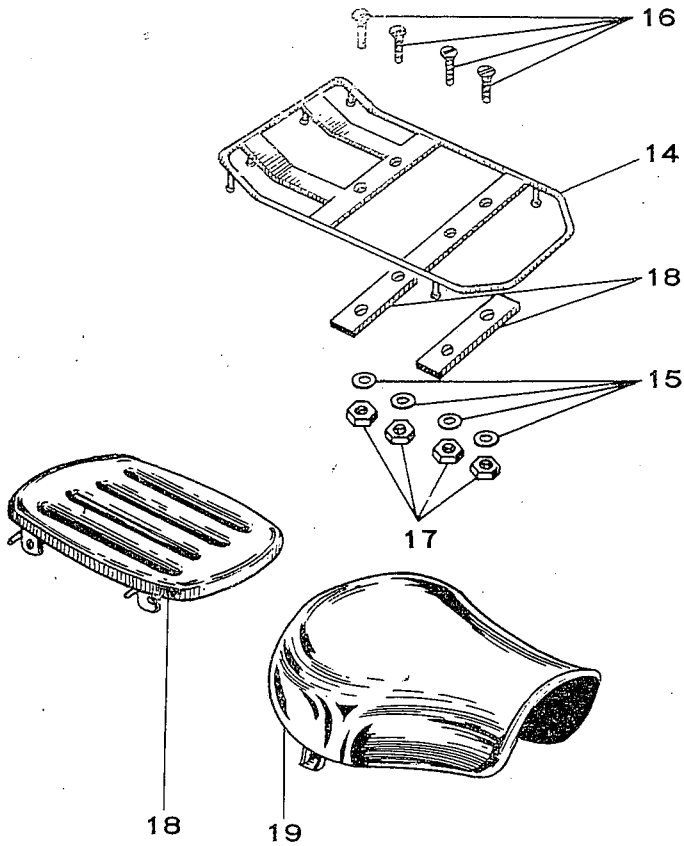
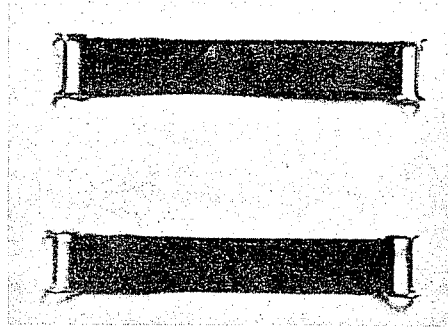


Fig. No.	Part No.	Description	No. Req'd	Unit Price (\$)	Remarks
14	6541-5030	Heavy luggage carrier	1		For BS90M
15	0431-0820	Spring washer	4		"
16	0381-0830	Flat head screw	4		"
17	0211-0800	Hexagon nut A	4		"
18	6510-5000 CUR	Luggage carrier comp	1		" (red)
18	6510-5000 MB	Luggage carrier comp	1		" (M, blue)
18	6510-5000 CBK	Luggage carrier comp	1		" (Black)
19	6410-5020	Seat comp	1		"

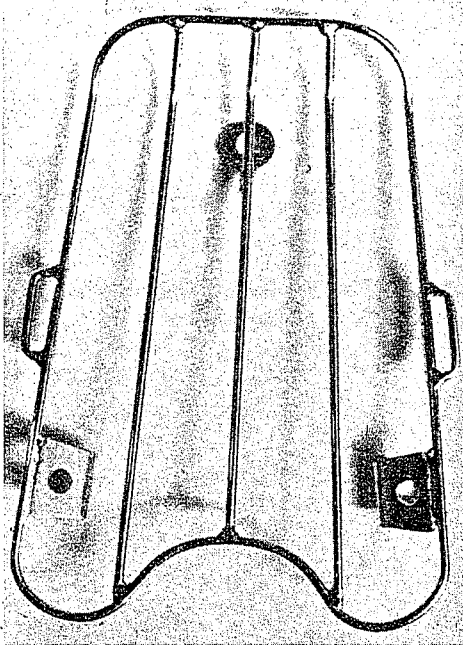
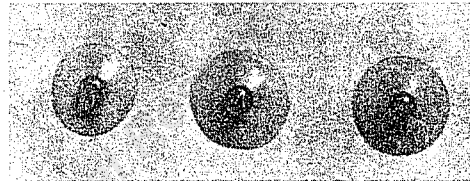
4) CARRIERS

3) Tank carrier

22



21



20

22

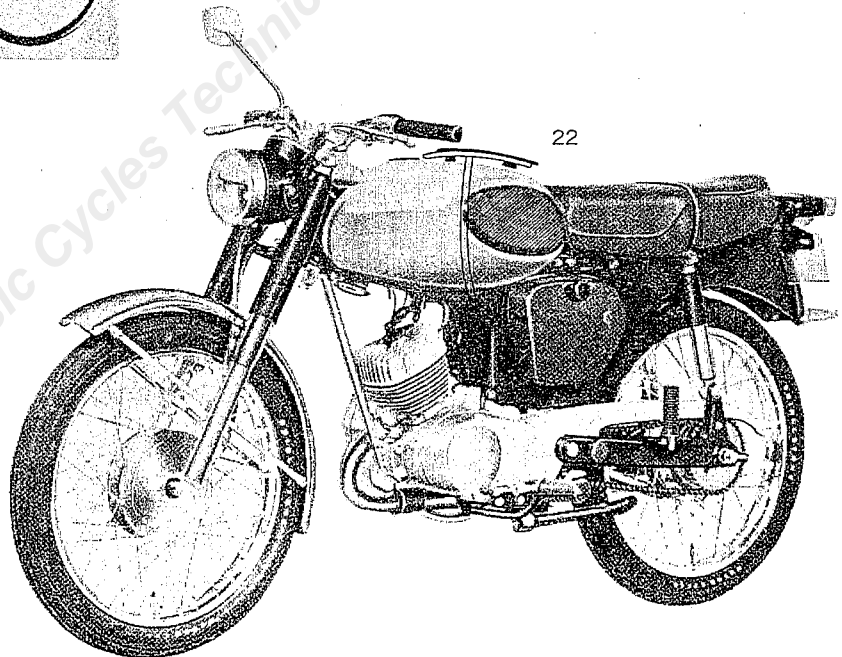
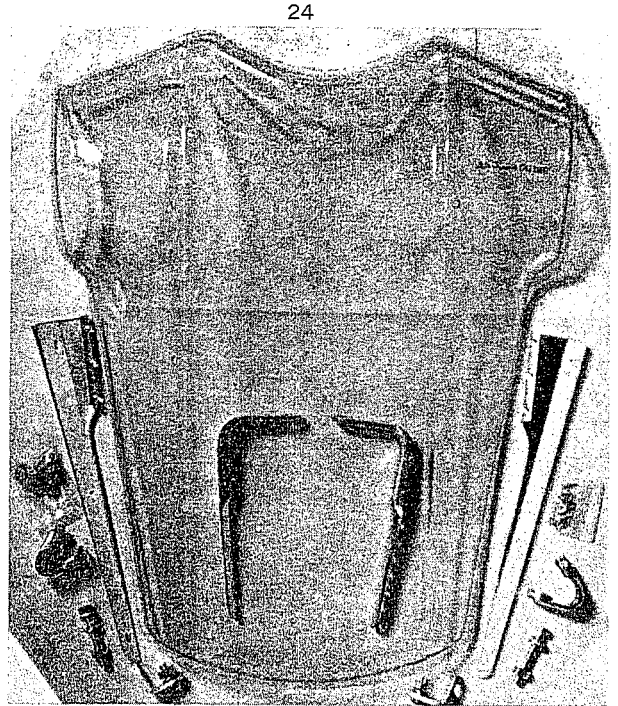
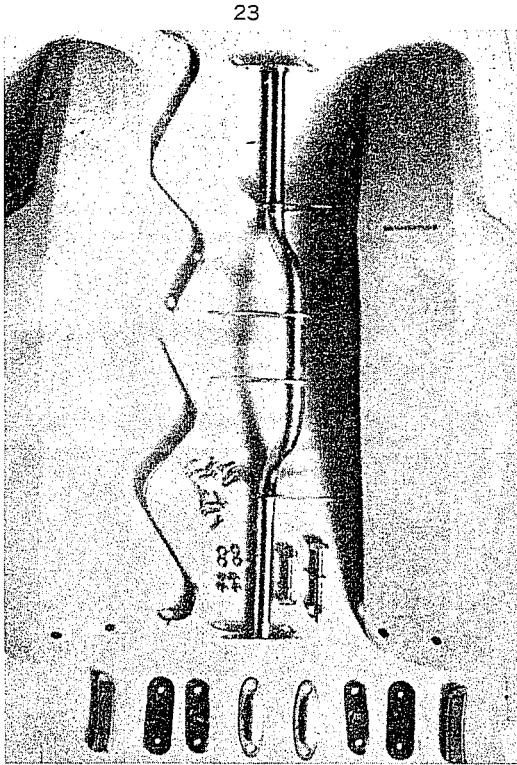
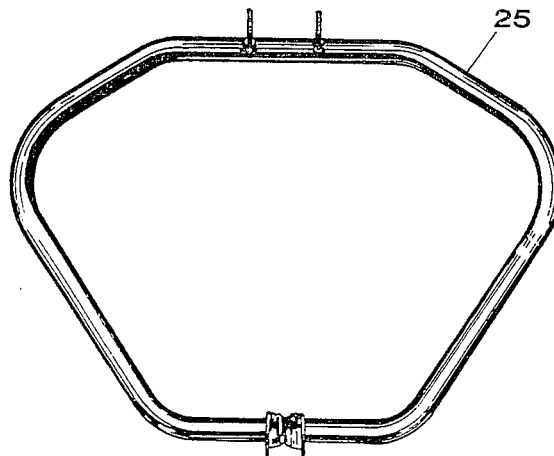


Fig. No.	Part No.	Description	No. Req'd	Unit Price (\$)	Remarks
20	6551-5010	Tank carrier comp	1		For BS90SP, 90SP(01), 100SP(01)
21	6552-5010	Sucker	3		—ditto—
22	6553-5010	Tank carrier band	2		—ditto—

5) LEGSHIELD, WIND SHIELD & SAFETY GUARD



g. No.	Part No.	Description	No. Req'd	Unit Price (\$)	Remarks
23	6601-3012	Legshield ass'y	1		For BS7
23	6601-3210	Legshield ass'y	1		For BS50SP, BS60SP
23	6601-5011	Legshield ass'y	1		For BS90cc
24	6602-3021	Wind shield ass'y	1		For BS7
24	6602-5010	Wind shield ass'y	1		For BS50SP, 60SP, 90D



25	6650-3211	Safety guard comp	1		For BS50SP, 60SP
25	6650-5011	Safety guard comp	1		For BS90D

6) SPARE ENGINE ASS'Y

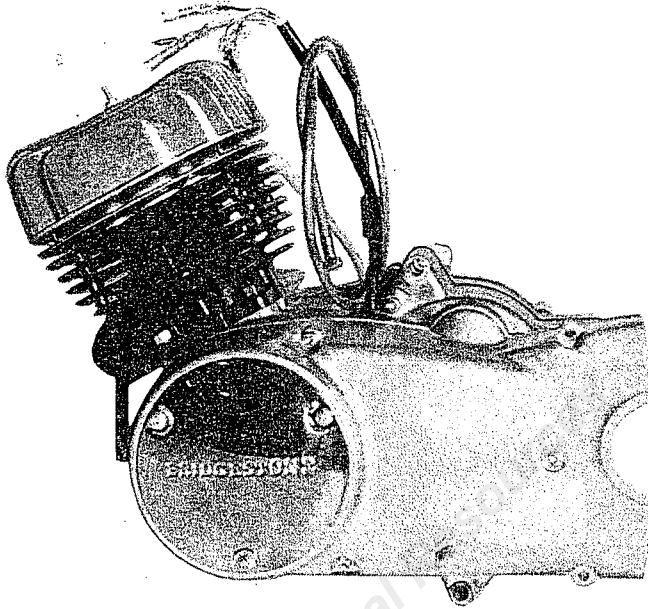


Fig. No.	Part No.	Description	No. Req'd	Unit Price (\$)	Remarks
26	1000-3100	Engine ass'y	1		For BS50HM
26	1000-3230	Engine ass'y	1		For BS50SP
26	1000-3220	Engine ass'y	1		For BS60SP
26	1000-5010	Engine ass'y	1		For BS90D
26	1000-5020	Engine ass'y	1		For BS90SP
26	1000-8000	Engine ass'y	1		For BS175DT & 175HS

Remarks

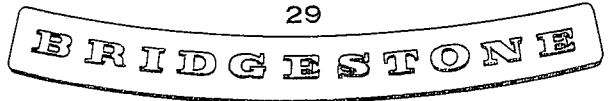
- 1) Included parts to engine assy
Drive sprocket, spark plug, Dynamo (magneto) assy, Clutch wire, carburetor, carburetor caver.
- 2) Excluded parts from engine assy
Gear change pedal, Kickstarter arm assy, Carburetor rubber cap, Wires except clutch wire.

7) LABELS & ORNAMENTS

27



29



28



30



31



32



33



34



35



36



37



38



39



40

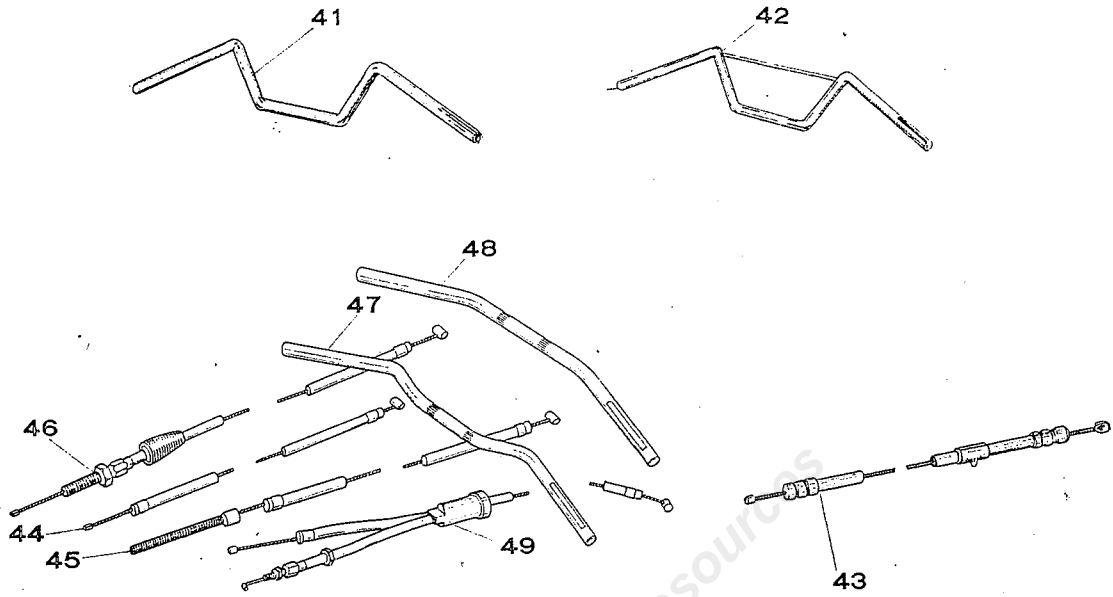


41



ig. No.	Part No.	Description	No. Req'd	Unit Price (\$)	Remarks
27	9116-5010	Oil injection label	2		For BS50cc & 90cc(OI)
28	9116-8000	Oil injection label	2		For BS175cc
29	5144-5020	Model name label	2		For BS90SP,90SP(OI), 100SP(OI)
30	9118-5020	Jet lube label	2		For oil injection models
31	6815-3120	Cover ornament	1		For BS50HM
32	6815-3210	" "	1		For BS50SP, 50SP(OI)
33	6815-3220	" "	1		For BS60SP
34	6815-5030	" "	1		For BS90D, 90D(OI)
35	6815-5040	" "	1		For BS90T, 90T(OI)
36	6815-5050	" "	1		For BS90M, 90M(OI)
37	6815-5010	" "	1		For BS90SP, 90SP(OI)
38	6815-5400	" "	1		For BS100SP(OI)
39	6815-8000	" "	1		For BS175DT
40	6815-8010	" "	1		For BS175HS
41	6823-8000	Eyelet	4		For all model

8) HANDLE BARS & CABLES



1) For UP-swept handle bar without oil injection model

Fig. No.	Part No.	Description	No. Req'd	Unit Price (\$)	Remarks
41	4511-5000	Handle bar	1		For BS50cc, 60cc, 90cc
42	4511-5040	Mounting handle bar	1		For 90M
43	6176-5000	Throttle control wire	1		For BS50cc, 60cc, 90cc
44	6178-5000	Carburetor starter wire	1		—ditto—
45	6181-5000	Front brake wire	1		—ditto—
46	6186-5000	Clutch wire	1		—ditto—
43	6176-5040	Throttle wire	1		For 90SP
44	6178-5030	Carburetor starter wire	1		For 90SP

2) For flat & down handle bar without oil injection model

47	4511-5010	Flat handle bar	1		For BS50cc, 60cc, 90cc
48	4511-3020	Down handle bar	1		—ditto—
43	6176-5010	Throttle control wire	1		—ditto—
44	6178-5010	Carburetor starter wire	1		—ditto—
45	6181-5010	Front brake wire	1		—ditto—
46	6186-5010	Clutch wire	1		—ditto—

8) HANDLE BARS & CABLES

3) For Up-swept handle bar with oil injection models

Fig. No.	Part No.	Description	No. Req'd	Unit Price (\$)	Remarks
41	4511-5000	Handle bar	1		For BS50cc to 90cc
42	4511-5040	Mounting handle bar	1		—ditto—
49	6176-5071	Throttle wire	1		—ditto—
44	6178-5000	Carburetor starter wire	1		—ditto—
45	6181-5000	Front brake wire	1		—ditto—
46	6186-5040	Clutch wire	1		—ditto—
49	6176-5081	Throttle wire	1		For BS90SP(0I), 100SP(0I)
44	6178-5030	Carburetor starter wire	1		—ditto—

For BS175cc

41	4511-8000	Up handle bar	1		For BS175cc
49	6176-8001	Throttle wire	1		"
44	6178-8000	Carburetor starter wire	1		"
45	6181-8000	Front brake wire	1		"
46	6186-8000	Clutch wire	1		"

For BS175cc bridge-type

42	4511-8020	Monuting handle bar	1		For BS175HS
49	6176-8020	Throttle wire	1		"
44	6178-8010	Carburetor starter wire	1		"
45	6181-8010	Front brake wire	1		"
46	6186-8020	Clutch wire	1		"

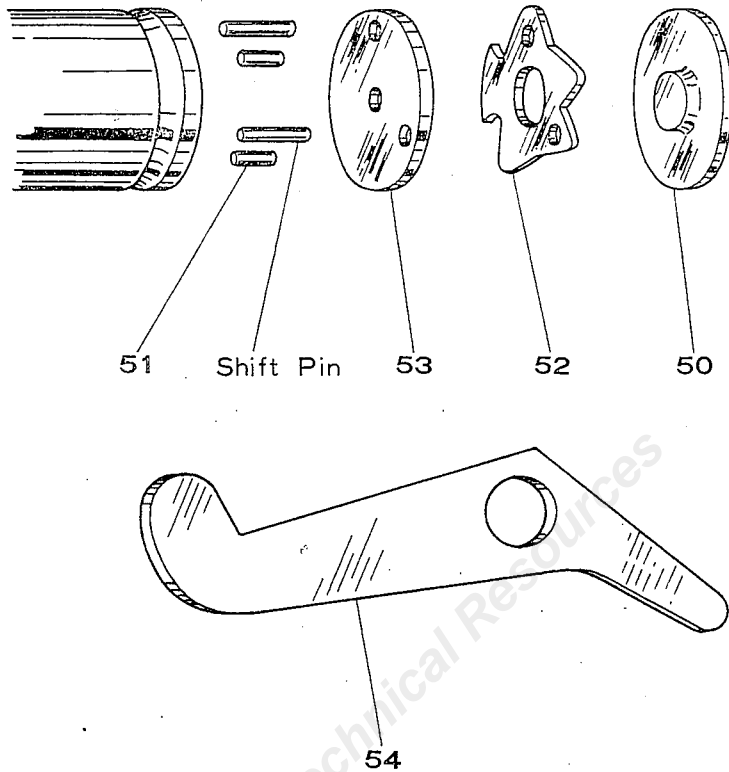
4) For Flat & Down handle bar with oil injection models

47	4511-5010	Flat handle bar	1		For BS50cc to 90cc
48	4511-3020	Down handle bar	1		"
49	6176-5120	Throttle wire	1		"
44	6178-5010	Carburetor starter wire	1		"
45	6181-5010	Front brake wire	1		"
46	6186-5060	Clutch wire	1		"
49	6176-5130	Throttle wire	1		For BS90SP(0I), 100SP(0I)
44	6178-5020	Carburetor starter wire	1		—ditto—

For BS175cc

47	4511-8030	Flat handle bar	1		
49	6176-8040	Throttle wire	1		
44	6178-8020	Carburetor starter wire	1		
45	6181-8020	Front brake wire	1		
46	6186-8030	Clutch wire	1		
	6105-8010	Left case assy	1		
	6115-8010	Left handle wire	1		
	6107-8020	Right case assy	1		
	6145-8020	Right handle wire	1		

9) EXCLUSIVE PARTS FOR RETURN-SHIFT



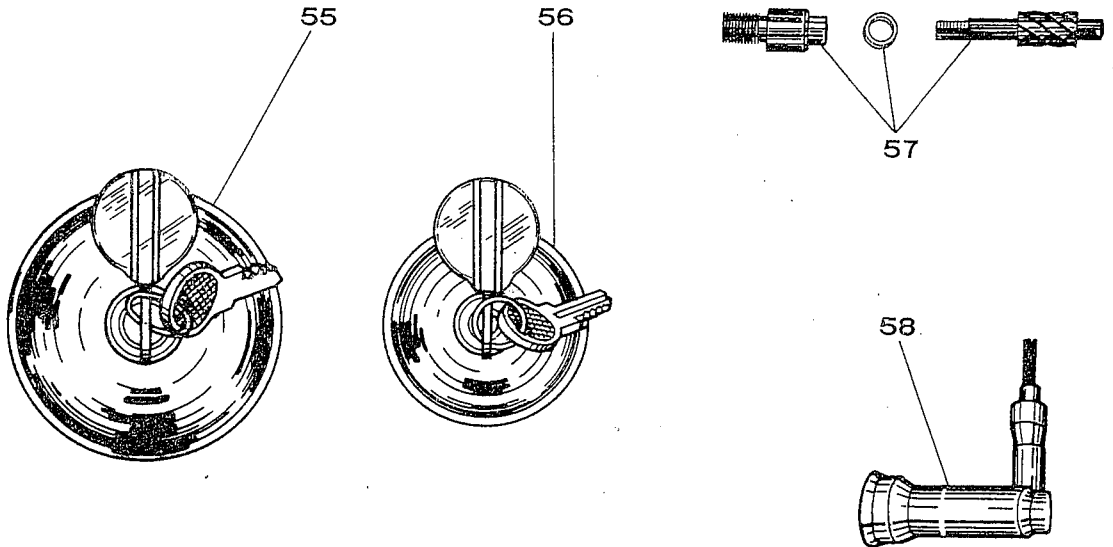
For 90cc

Fig. No.	Part No.	Description	No. Req'd	Unit Price (\$)	Remarks
	2502-5010	Shift drum assy	1		For BS90 to 100cc
50	2524-5010	Shift pin holder	1		—ditto—
51	2526-5010	Shift pin B	2		—ditto—
52	2535-5010	Stopper plate	1		—ditto—
53	2539-5010	Guide plate stopper	1		—ditto—
54	2531-5010	Drum stopper arm	1		—ditto—

For 50cc

	2502-3210	Shift drum assy	1		For 50cc
50	2524-5010	Shift pin holder	1		—ditto—
51	2526-5010	Shift pin B	2		—ditto—
52	2535-5010	Stopper plate	1		—ditto—
53	2539-5010	Guide plate stopper	1		—ditto—
54	2531-3211	Drum stopper arm	1		—ditto—
	2549-3210	Thrust receiver	1		—ditto—

10) TANK CAP WITH KEYS, SPEEDOMETER PINION SET & PLUG CAP WITH RADIO SUPRESSER



g. No.	Part No.	Description	No. Req'd	Unit Price	Remarks
55	5191-3210	Tank cap with keys	1		For BS50cc, 60cc, 90cc & 100cc
56	5191-8010	Tank cap with keys	1		For BS175cc
57	7191-3210	Speedometer pinion set	1		For BS50cc, 60cc
57	7191-5000	Speedometer pinion set	1		For BS90 to BS100cc
58	8520-5010	Plug cap comp	1		With radio supresser

B.

3520-5010 Plug cap is specially made to avoid jamming from the spark plug.

11) SPARK PLUGS

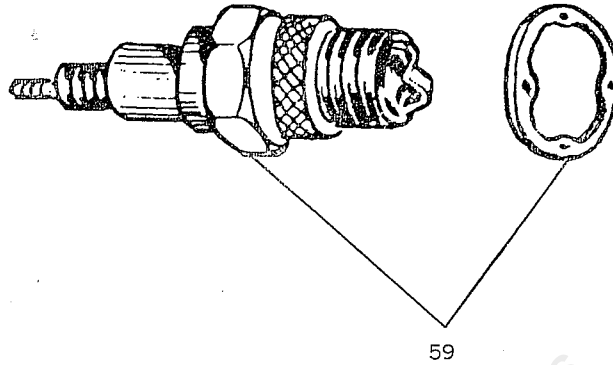
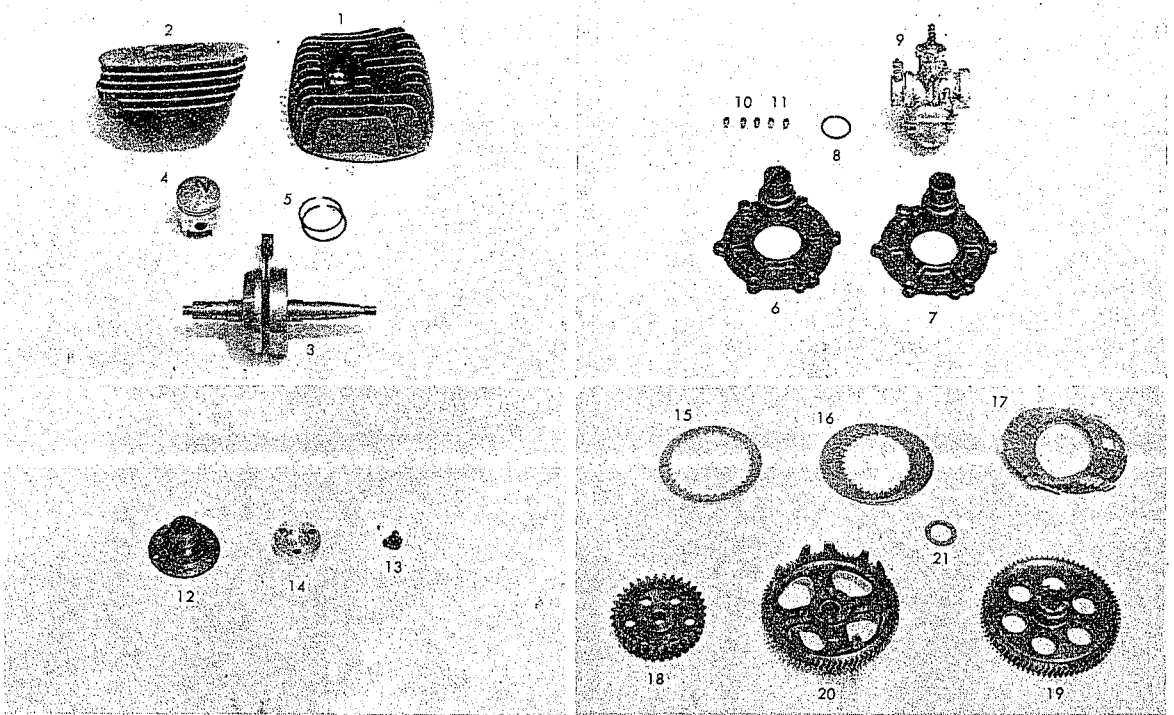


Fig. No.	Part No.	Description	No. Req'd	Unit Price	Remarks
59	1781-3002	Spark plug	1		NGK B-6
59	1781-3210	SPark plug	1		NGK B-7
59	1781-5010	Spark plug	1		NGK B-7H
59	1781-5020	Spark plug	1		NGK B-7HZ
59	1781-3220	Spark plug	1		NGK B-8
59	1781-8000	Spark plug	1		NGK B-8H
	—	Spark plug	1		NGK B-8HN
	—	Spark plug	1		NGK B-9HN

N. B.

Unit Price of NGK B-8HN and B-9HN is depend upon order quantity.

12) BS50, BS90 SPEED KIT PARTS



ENGINE GROUP

S. No.	Part No.	Part Name	No. Req'd	Unit Price (\$)	Interchangeability		Remarks
					50cc	90cc	
1	1111-3220	Cylinder head	1		☆		Aluminium
2	1121-3260	Cylinder	1		☆		
3	1301-3220	Crankshaft comp	1		☆		
4	1341-3220	Piston	1		☆		
5	1361-3210	Piston ring set	1		☆		
6	1431-5040	Rotary valve cover	1			☆	M.B. 22φmm
7	1431-3220	Rotary valve cover.	1		☆		
8	09066-113	27 O ring	1		☆	☆	
9	1600-5100	Carburetor assembly	1		☆	☆	
10	1690-5030	Main jet set	1			☆	
11	1690-5010	Main jet set	1		☆		
12	1736-3210	Contact breaker cam	1			☆	
13	2587-3210	Change end stopper	1		☆		
14	2588-3210	Change end stopper retainer	1		☆	☆	
15	2216-5010	Outer plate	1		☆	☆	
16	2215-3210	Inner plate	3-5		☆	☆	}50-3pcs }90-5pcs }50-4pcs }90-6pcs
17	2214-3210	Friction plate	4-6		☆	☆	
18	2221-3210	Clutch hub	1		☆		
19	2410-5010	Driven gear comp	1			☆	
20	2410-3210	Driven gear comp	1		☆		
21	09048-110	20 Thrust washer	1			☆	

M.J. No. 220, 230, 240, 250, 260

M.J. No. 110, 120, 130, 140, 150

12) BS50, BS90 SPEED KIT PARTS

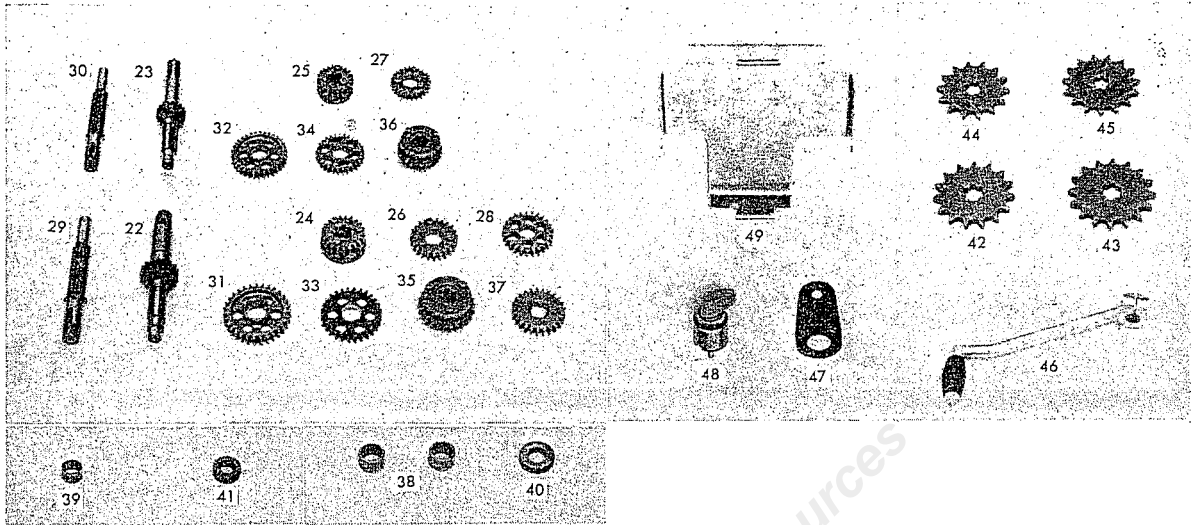
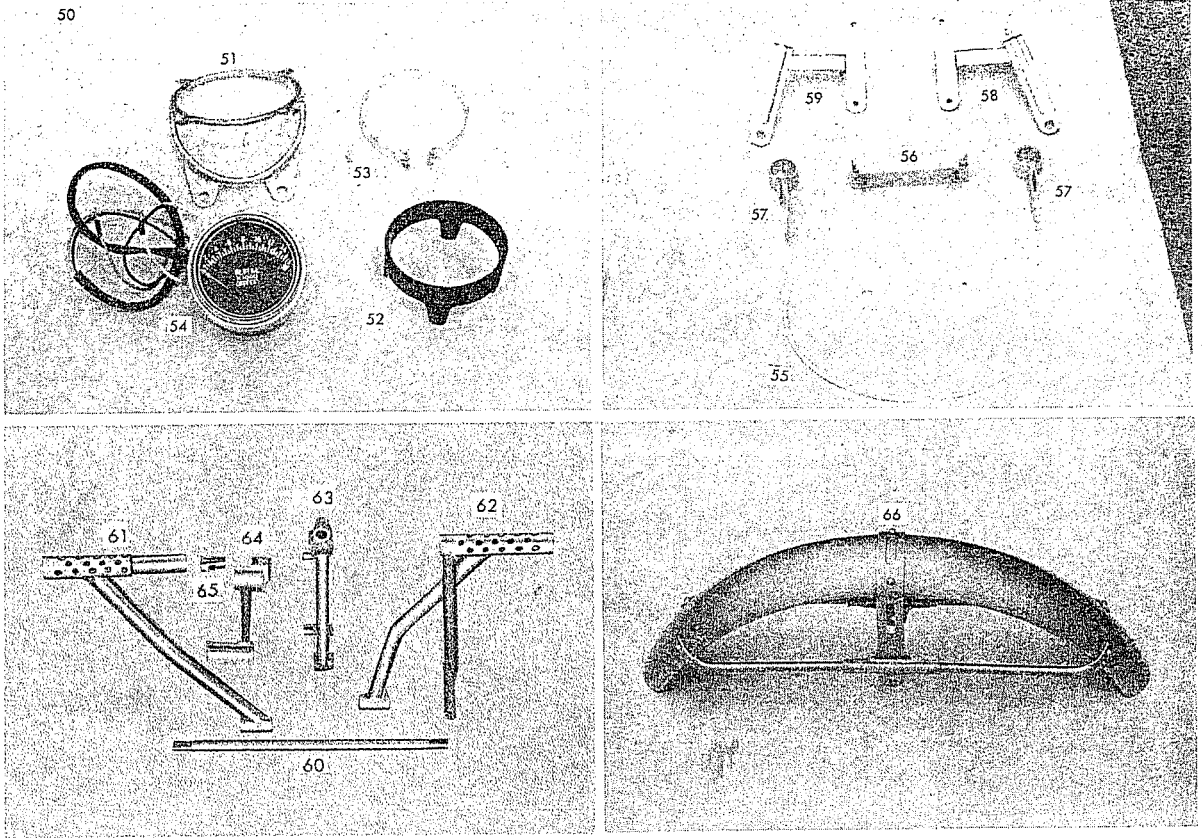


Fig. No.	Part No.	Part Name	No. Req'd	Unit Price (\$)	Interchangeability		Remarks
					50cc	90cc	
22	2421-5010	Counter shaft	1			☆	
23	2421-3210	Counter shaft	1		☆		
24	2426-5010	2nd gear A	1			☆	21T
25	2426-3210	2nd gear A	1		☆		22T
26	2431-5010	3rd gear A	1			☆	23T
27	2431-3210	3rd gear A	1		☆		24T
28	2436-5010	4th gear A	1			☆	25T
29	2446-5010	Drive shaft	1			☆	
30	2446-3210	Drive shaft	1		☆		
31	2451-5010	1st gear B	1			☆	31T
32	2451-3210	1st gear B	1		☆		34T
33	2456-5010	2nd gear B	1			☆	28T
34	2456-3210	2nd gear B	1		☆		29T
35	2461-5000	3rd gear B	1			☆	26T
36	2461-3210	3rd gear B	1		☆		27T
37	2466-5010	4th gear B	1			☆	
38	09070-105	Needle bearing	2			☆	
39	09070-106	Needle bearing	1		☆		
40	2454-5010	1st gear B spacer	1			☆	
41	2454-3210	1st gear B spacer	1		☆		
42	2484-5020	Drive sprocket 15T	1			☆	
43	2484-5030	Drive sprocket 16T	1			☆	
44	2484-3230	Drive sprocket 14T	1		☆		
45	2484-3240	Drive sprocket 15T	1		☆		
46	2581-5020	Gear change pedal	1		☆	☆	
47	3166-5010	Main switch bracket	1		☆	☆	
48	8601-5010	Main switch bracket	1		☆	☆	
49	3342-5010	Battery bracket	1		☆	☆	

12) BS50, BS90 SPEED KIT PARTS



BODY GROUP

Fig. No.	Part No.	Part Name	No. Req'd	Unit Price (\$)	Interchangeability		Remarks
					50cc	90cc	
50	3414-5020	Pivot shaft	1		☆	☆	
51	3453-5010	Tachometer holder	1		☆	☆	
52	3454-5010	Tachometer cushion rubber	1		☆	☆	
53	3455-5010	Tachometer set band	1		☆	☆	
54	8403-5010	Tachometer assembly	1		☆	☆	
55	3437-5010	Number plate	3		☆	☆	
56	3438-5010	Number plate bracket	1		☆	☆	
57	3456-5010	Number bracket stay	2		☆	☆	
58	3457-5010	Left number plate bracket	1		☆	☆	
59	3458-5010	Right number plate bracket	1		☆	☆	
60	3459-5010	Foot rest shaft	1		☆	☆	
61	3715-5010	Left foot rest	1		☆	☆	
62	3716-5010	Right foot rest	1		☆	☆	
63	3718-5010	Right foot rest stay	1		☆	☆	
64	3810-5040	Brake pedal comp	1		☆	☆	
65	3822-5010	Brake pedal pin	2		☆	☆	
66	4410-5030	Front fender comp	1			☆	

12) BS50, BS90 SPEED KIT PARTS

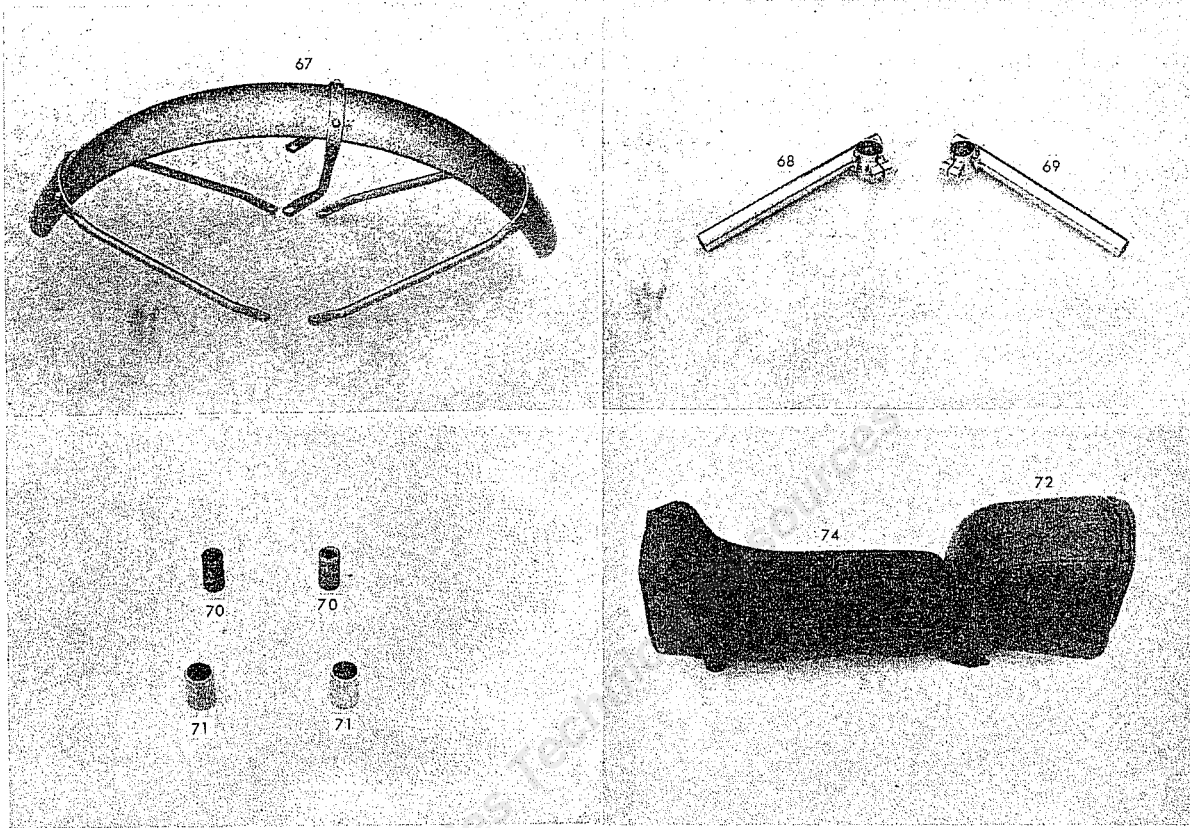


Fig. No.	Part No.	Part Name	No. Req'd	Unit Price (\$)	Interchangeability		Remarks
					50cc	90cc	
67	4410-3250	Front fender comp	1		☆		
68	4515-5010	Left sport handle bar	1		☆	☆	
69	4516-5010	Right sport handle bar	1		☆	☆	
70	4851-5010	Rear fork bush	2		☆	☆	
71	4856-5010	Rear fork collar	2		☆	☆	
72	5910-5010	Sport knee grip	1			☆	
74	6430-5050	Sport seat comp	1		☆	☆	

12) BS50, BS90 SPEED KIT PARTS

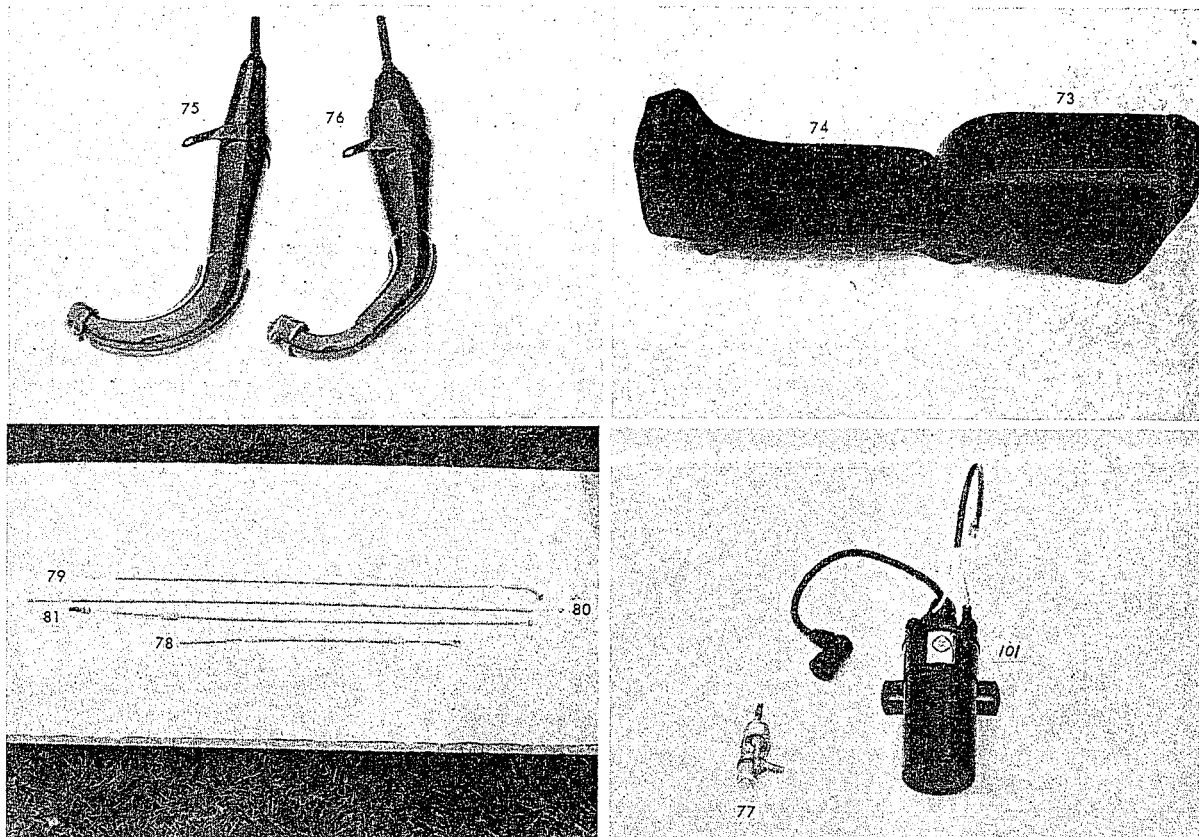


Fig. No.	Part No.	Part Name	No. Req'd	Unit Price (\$)	Interchangeability		Remarks
					50cc	90cc	
73	5910-3210	Sport knee grip	1		☆		
74	6430-5050	Sport seat comp	1		☆	☆	
75	6310-5040	Muffler body comp	1			☆	
76	6310-3240	Muffler body comp	1		☆		
77	5103-5010	Fuel cock assembly	1		☆	☆	
101	8501-5020	Ignition coil	1		☆	☆	
78	3841-5010	Rear brake wire	1		☆	☆	
79	6176-5090	Throttle wire	1		☆	☆	
80	6181-5040	Front brake wire	1		☆	☆	
81	6186-5050	Clutch wire	1		☆	☆	

12) BS50, BS90 SPEED KIT PARTS

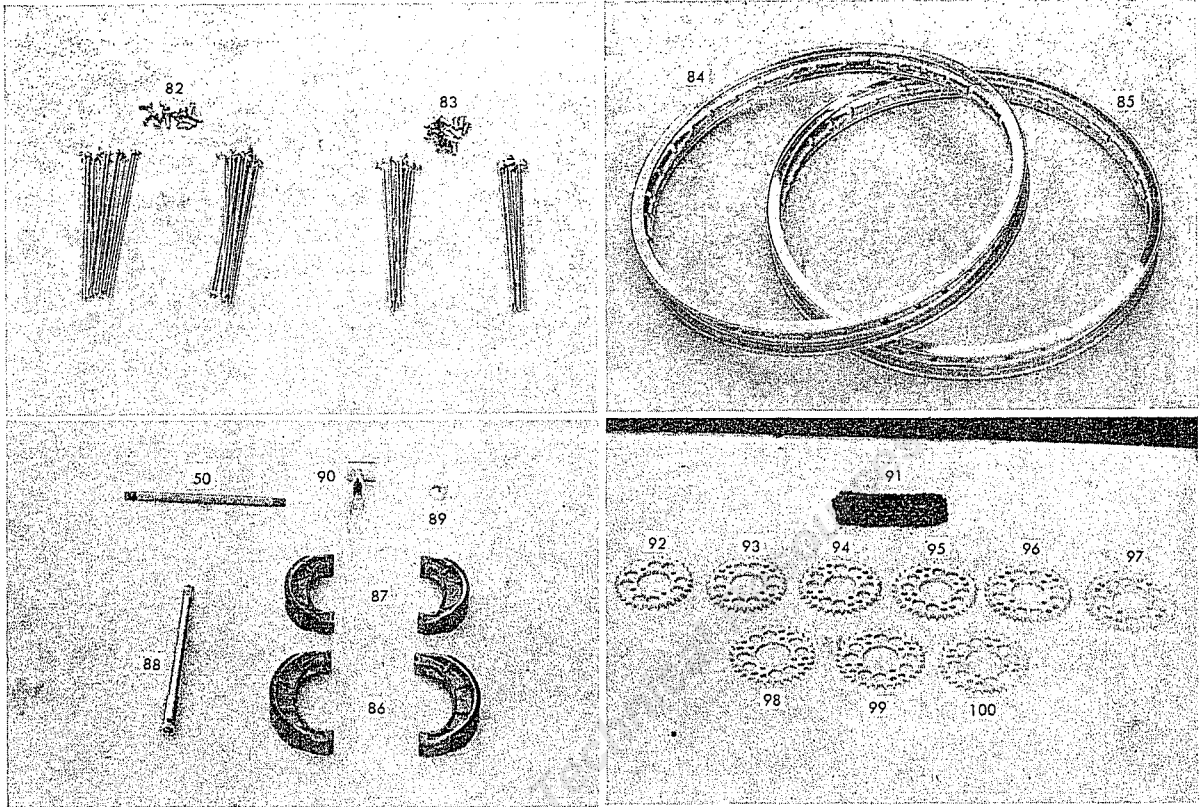


Fig. No.	Part No.	Part Name	No. Req'd	Unit Price (\$)	Interchangeability		Remarks
					50cc	90cc	
82	7108-5010	Front spoke assembly	1			☆	
82	7108-3210	Front spoke assembly	1		☆		
83	7308-5010	Rear spoke assembly	1			☆	
83	7308-3210	Rear spoke assembly	1		☆		
84	7241-5010	Wheel rim	1			☆	
85	7241-3210	Wheel rim	1		☆		
86	7140-5010	Brake shoe comp	4			☆	
87	7140-3210	Brake shoe comp	4		☆		
88	7221-5010	Front wheel axle	1		☆	☆	
89	09522-104	12 Slotted hexagon nut	1		☆	☆	
90	7426-5010	Rear axle collar	1			☆	
91	7501-5030	Roller chain assembly	1			☆	425 x 102L
92	7381-5080	Drive sprocket	1			☆	29T
93	7381-5090	"	1			☆	30T
94	7381-5110	"	1			☆	31T
95	7381-5120	"	1			☆	32T
96	7381-5130	"	1			☆	33T
97	7381-5140	"	1			☆	35T
98	7381-3240	"	1		☆		30T
99	7381-3250	"	1		☆		31T
100	7381-3260	"	1		☆		32T

12) BS50, BS90 SPEED KIT PARTS

COMMON PARTS WITH OTHER MODELS :

Fig. No.	Part No.	Part Name	No. Req'd	Unit Price (\$)	Interchangeability		Remarks
					50cc	90cc	
	1111-5010	Cylinder head	1			☆	Refer to "Tune up manual"
	1121-5020	Cylinder	1			☆	"
	1412-5000	Rotary valve	1		☆	☆	"
	1752-5000	Contact breaker assembly	1		☆	☆	
	2130-5001	Right crankcase	1			☆	Refer to "Tune up manual"
	2130-3201	Right crankcase	1		☆		"
	2160-5000	Right crankcase cover	1			☆	"
	2160-3200	Right crankcase cover	1		☆		"
	2610-3200	Kick starter gear A comp	1		☆		"
	6111-8000	Left switch case	1		☆	☆	
	6121-8000	Left switch case cover	1		☆	☆	
	0311-0614	Cross rec'd pan head screw	2		☆	☆	
	6123-8000	Left handle grip	1		☆	☆	
	6125-8000	Left lever holder	1		☆	☆	
	6122-8000	Clutch lever	1		☆	☆	
	6126-8000	Wire adjuster	1		☆	☆	
	6127-8000	Wire adjuster lock nut	1		☆	☆	
	0111-0625	Hexagon bolt A	1		☆	☆	
	6107-8000	Right case assembly	1		☆	☆	
	6153-8000	Right handle grip	1		☆	☆	
	6154-8000	Throttle grip pipe	1		☆	☆	
	6149-8000	Right lever holder	1		☆	☆	
	6152-8000	Front brake lever	1		☆	☆	
	6126-8000	Wire adjuster	1		☆	☆	
	6127-8000	Wire adjuster lock nut	1		☆	☆	
	09511-132	6×25 hexagon bolt	1		☆	☆	
	0221-0600	Hexagon nut B	1		☆	☆	
	0111-0625	Hexagon bolt A	1		☆	☆	
	1141-3210	Cylinder head gasket	1		☆		60sp
	1333-3210	Needle bearing	1		☆		50sp
	1381-3110	Piston pin	1		☆		60sp
	1753-5000	Condenser	1		☆		50sp
	2218-5010	Clutch spring	6		☆		90sp
	2264-8000	Release screw	1		☆	☆	175DT
	8701-8032	Battery 12V-6AH	1		☆	☆	

Remarks

Refer to "Tune up manual"

13) SCRAMBLER KIT PARTS FOR BS50 & BS90

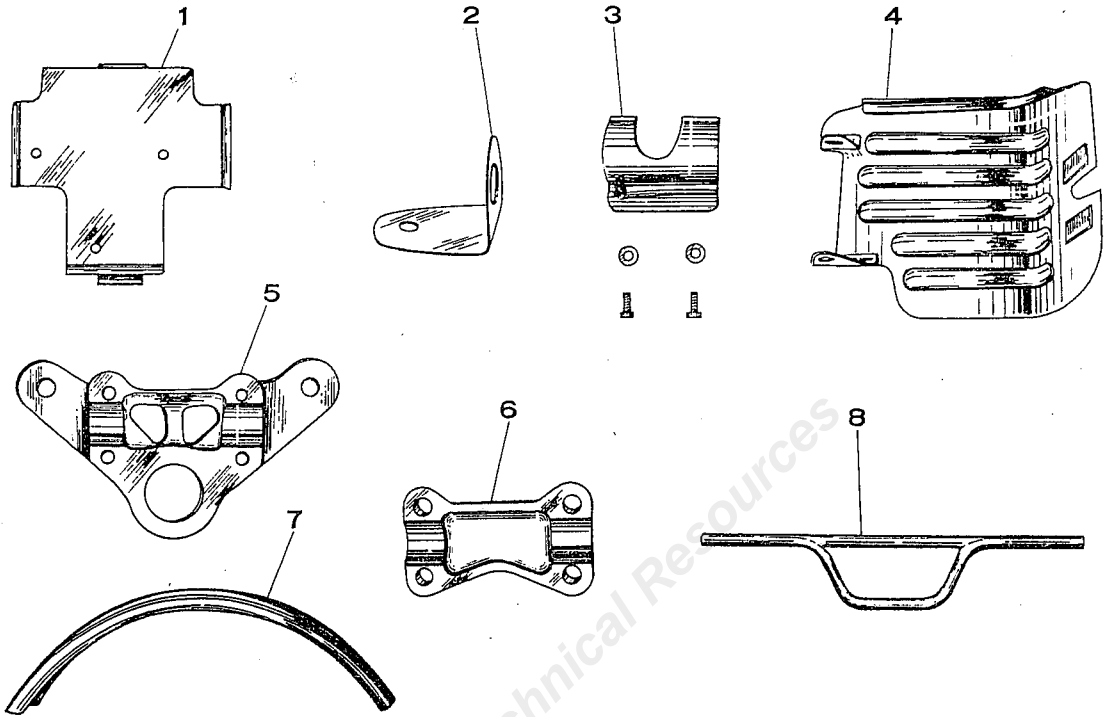


Fig. No.	Part No.	Part Name	No. Req'd	Unit Price (\$)	Interchangeability		Remarks
					50cc	90cc	
1	3342-5010	Battery case	1		☆	☆	
2	3384-5010	Ignition coil buckle	1		☆	☆	
3	3166-5010 CBK	Main switch bracket	1		☆	☆	
4	6761-5010	Engine protector	1			☆	
5	4161-5010	Upper bridge	1			☆	
6	4162-5010	Handle holder	1			☆	
7	4410-5020	Front fender comp	1			☆	
8	4511-5030	Handle bar comp	1		☆	☆	

13) SCRAMBLER KIT PARTS FOR BS50 & BS90

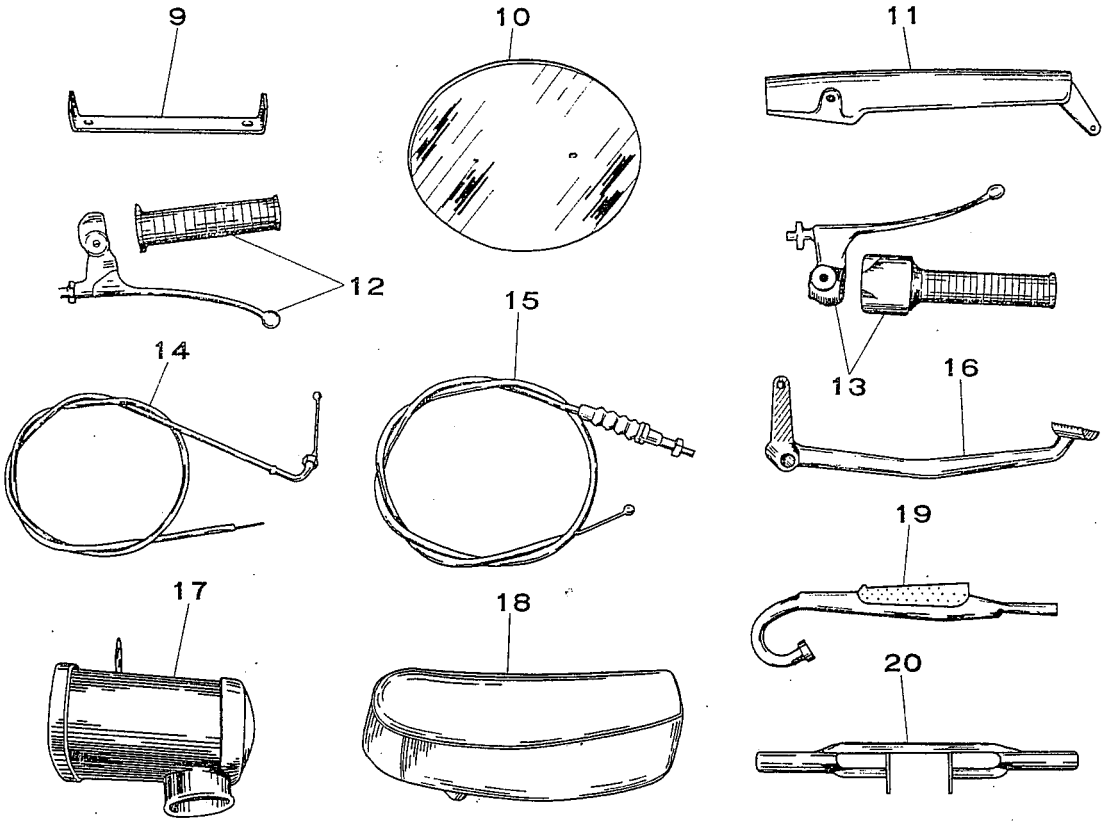


Fig. No.	Part No.	Part Name	No. Req'd	Unit Price (\$)	Interchangeability		Remarks
					50cc	90cc	
9	3438-5010	Number plate bracket	1		☆	☆	
10	3437-5010	Number plate	1		☆	☆	
11	4751-5020 MS	Half chain case	1		☆	☆	
12	—	Clutch grip assy	1		☆	☆	
13	—	Throttle grip assy	1		☆	☆	
14	6176-5030	Throttle wire	1		☆	☆	
15	6181-5020	Front brake wire	1		☆	☆	
16	3810-5011	Brake pedal comp	1		☆	☆	
17	6201-5010	Air cleaner assy	1			☆	
17	6201-3210	Air cleaner assy	1		☆		
18	6430-5020	Sport seat comp	1		☆	☆	
19	6310-5020	Muffler body comp	1			☆	
19	6310-3210	" " "	1		☆		
20	3710-5010	Foot rest bar comp	1		☆	☆	

Remarks

Clutch grip, & throttle grip are same as that of BS175DT.

13) SCRAMBLER KIT PARTS FOR BS50 & BS90

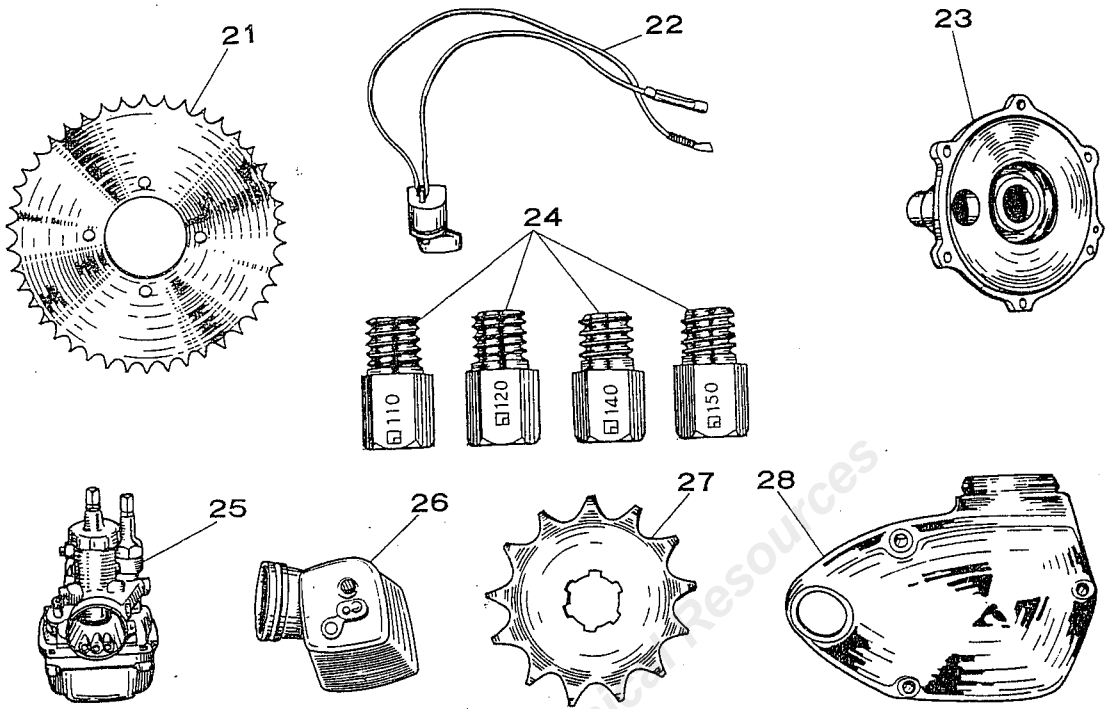


Fig. No.	Part No.	Part Name	No. Req'd	Unit Price (\$)	Interchangeability		Remarks
					50cc	90cc	
21	7381-5060	Driven sprocket 38T	1			☆	
21	7381-5050	" " 40T	1			☆	
21	7381-5040	" " 42T	1			☆	
21	7381-5030	" " 44T	1			☆	
21	7381-5020	" " 46T	1			☆	
21	7381-5010	" " 48T	1			☆	
21	7381-3210-58	Driven sprocket 58T	1		☆		
21	7381-3220-60	" " 60T	1		☆		
21	7381-3230-62	" " 62T	1		☆		
22	8601-5010	Main switch assy	1		☆	☆	
23	1431-5010	Rotary valve cover	1			☆	
23	1431-3210	" " "	1		☆		
24	1690-5010	Main jet set	1set		☆	☆	
25	1600-5051	Carburetor assy	1			☆	
25	1600-5010	Carburetor assy	1		☆		
26	2176-5010	Carburetor cover	1		☆	☆	
27	2177-5010	Carburetor rubber cap	1		☆	☆	
28	2484-5010	Drive sprocket 12T	1			☆	
28	2484-3001	" " 13T	1		☆		

13) SCRAMBLER KIT PARTS FOR BS50 & BS90

Fig. No.	Part No.	Part Name	No. Req'd	Unit Price (\$)	Interchangeability		Remarks
					50cc	90cc	
28	1121-5020	Cylinder	1			☆	
28	1121-3260	"	1		☆		
29	1119-3210	Head nut spacer	4		☆		
30	1301-3220	Crankshaft comp	1		☆		
31	1111-3220	Cylinder head	1		☆		
32	1141-5010	Cylinder head gasket	1			☆	
32	1141-3220	" " "	1		☆		
33	1341-5010	Piston	1			☆	
33	1341-3220	"	1		☆		
34	1301-5010	Piston ring set	1			☆	
34	1361-3210	" " "	1		☆		
35	07-6204-03	Ball bearing	2		☆		
36	1736-3210	Contact breaker cam	1		☆		
37	2587-3210	Change end stopper	1		☆		
38	2588-3210	Change end stopper retainer	1		☆		
39	2178-5010	Carburetor cap ring	1		☆	☆	
40	2218-5010	Clutch spring	6		☆	☆	
41	8501-3000	Ignition coil assy	1		☆	☆	
42	1126-5010	Cylinder head stud	4			☆	
43	6186-5020	Clutch wire	1		☆	☆	
44	3415-5010	Rear cushion shaft	1		☆		
45	3389-5010	Rear cushion spacer	1		☆		

MOTORCYCLE PARTS & ACCESSORIES

Click on links below

[Bridgestone Motorcycle History & Technical Specifications](#)

[Motorcycle Parts & Accessories](#)

[Dirt Bike Parts & Accessories](#)

[Harley Davidson Parts & Accessories](#)

[Motorcycle Helmet Closeout Sale](#)

[Japanese Motorcycle Original Equipment Parts](#)

[Save On All Motorcycle Tires](#)

[Motorcycle Jacket Closeout Sale](#)

[High Visibility Motorcycle Safety Gear](#)

[Cycle Gear – Free Shipping](#)

[Women's Motorcycle Riding Gear](#)

[Free Shipping On All Motorcycles](#)

[Save Up To 80% On All Car Parts](#)



www.ClassicCycles.org