

EM 5.7



**MANUEL DE PIECES
PARTS MANUAL**

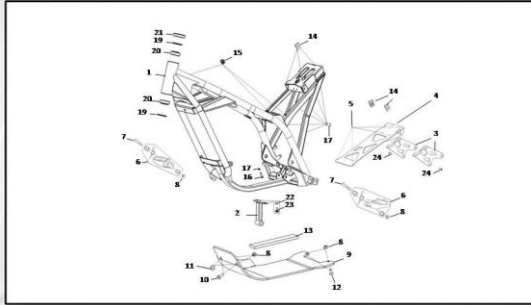
2013

ELECTRIC MOTION
40 rue des Gardians
34160 CASTRIES
+33 467 411 090
+33 651 055 169
www.electric-motion.fr
emotion.infotech@gmail.com

Les informations de ce document ne sont pas contractuelles et peuvent être modifiées sans préavis.

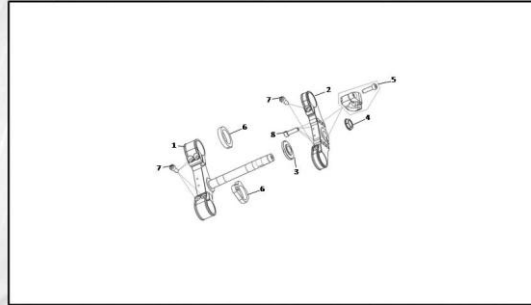
The datas of this document are not contractual and can be modified without notice.

em CADRE / FRAME 1



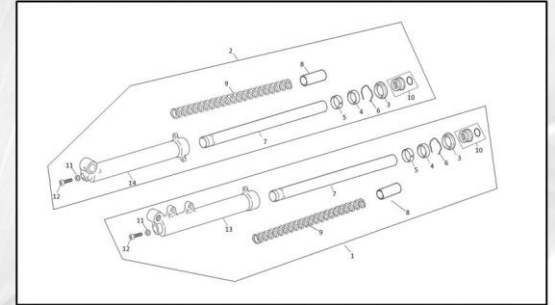
1

em DIRECTION / STEERING 2



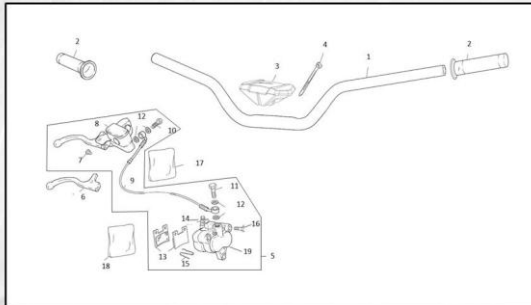
3

em FOURCHE / FORK 3



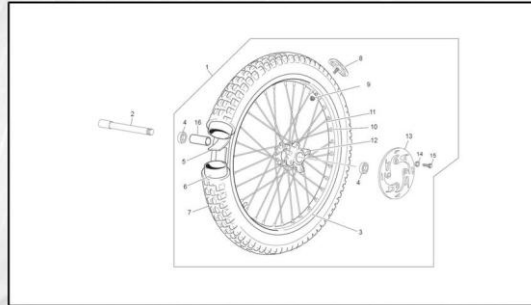
5

em GUIDON / HANDELBAR 4



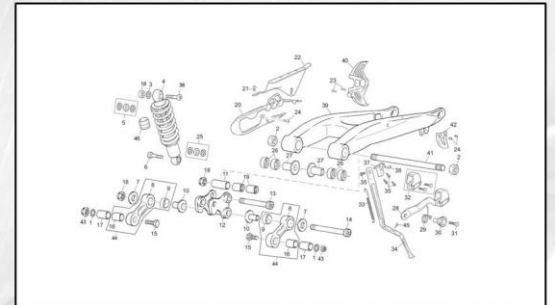
7

em ROUE AVANT / FRONT WHEEL 5



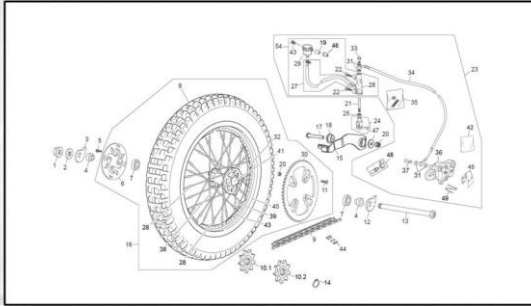
9

em SUSPENSION ARRIERE / REAR SUSPENSION 6



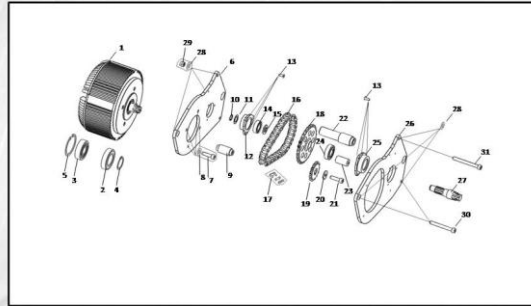
11

em electricmotion **ROUE ARRIERE / REAR WHEEL** **7**



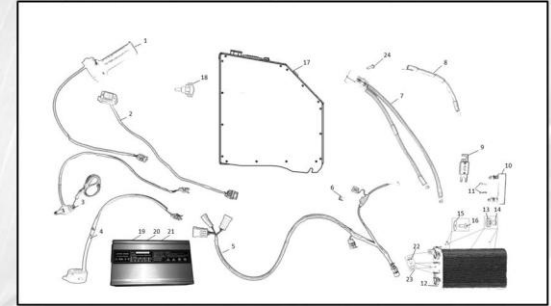
15

em electricmotion **MOTEUR / MOTOR – TRANSMISSION** **8**



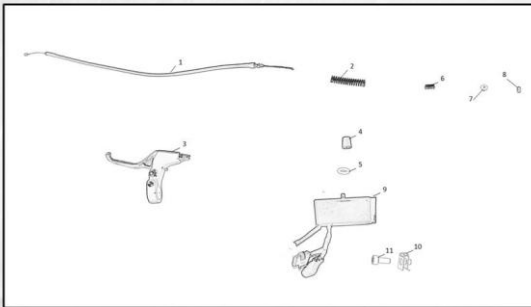
19

em electricmotion **FAISCEAU / ELECTRIC INSTALLATION** **9**



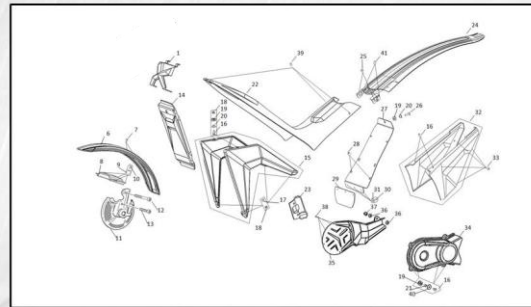
23

em electricmotion **BOITIER ELS / ELS BOX** **10**



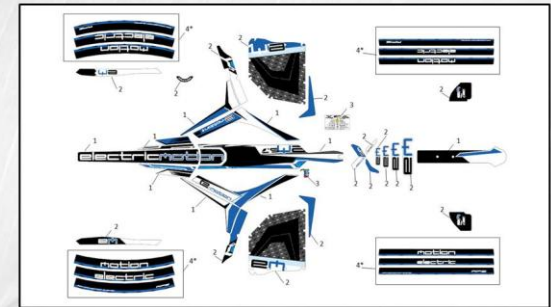
25

em electricmotion **PLASTIQUES / PLASTICS** **11**



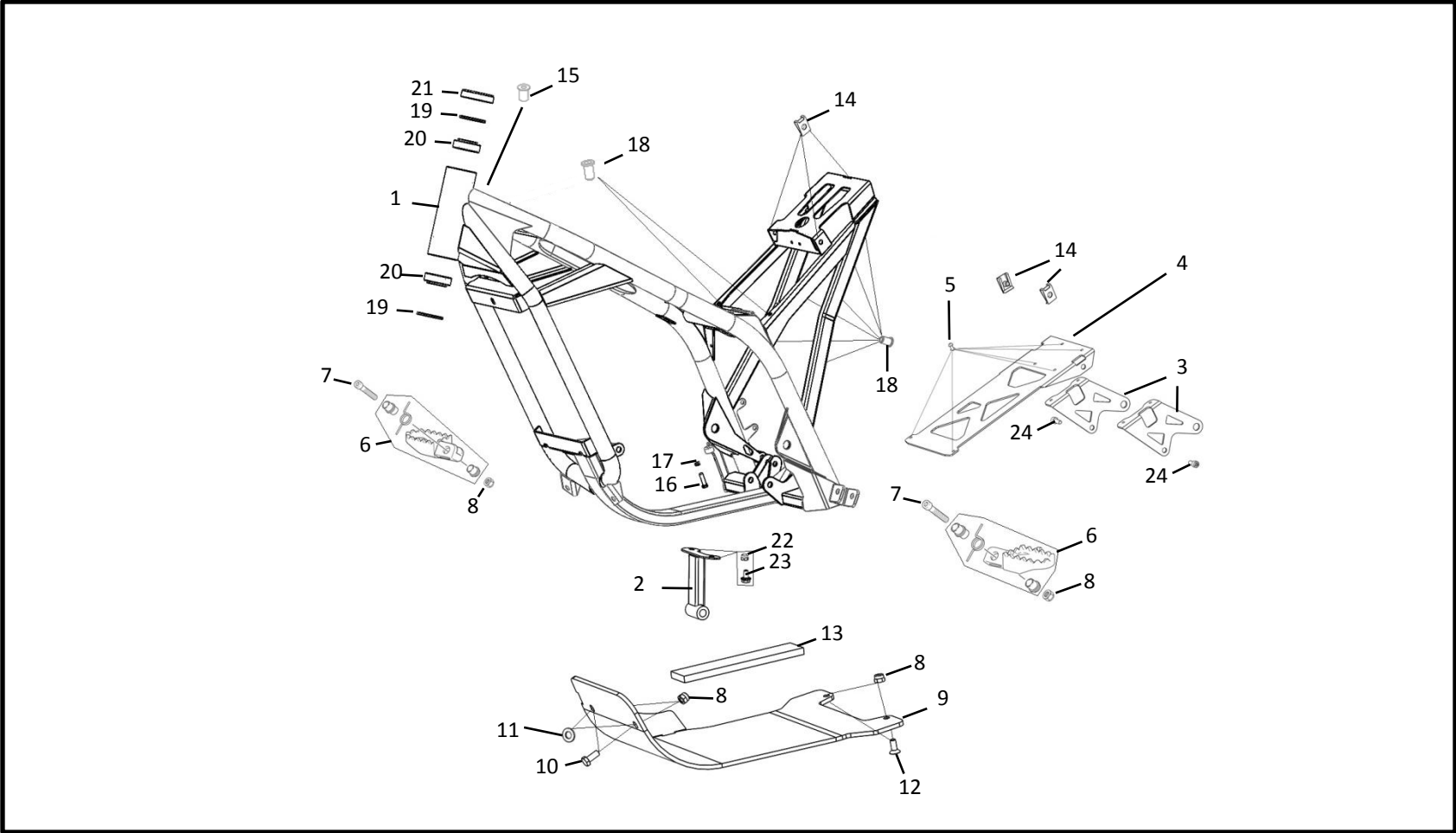
27

em electricmotion **STICKERS EM** **12**

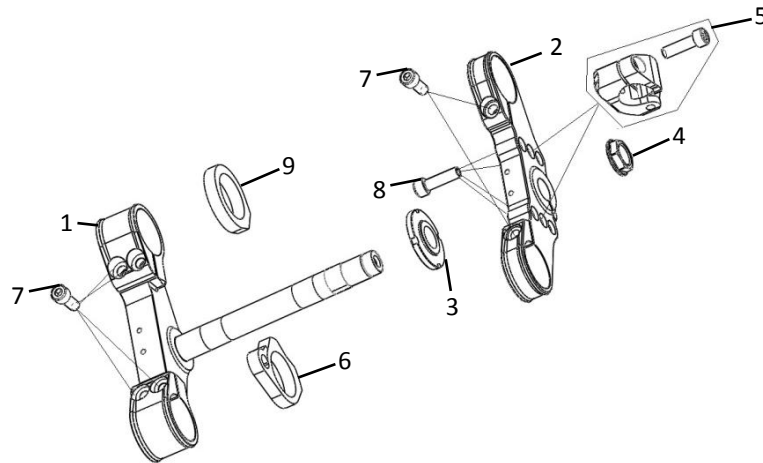


31

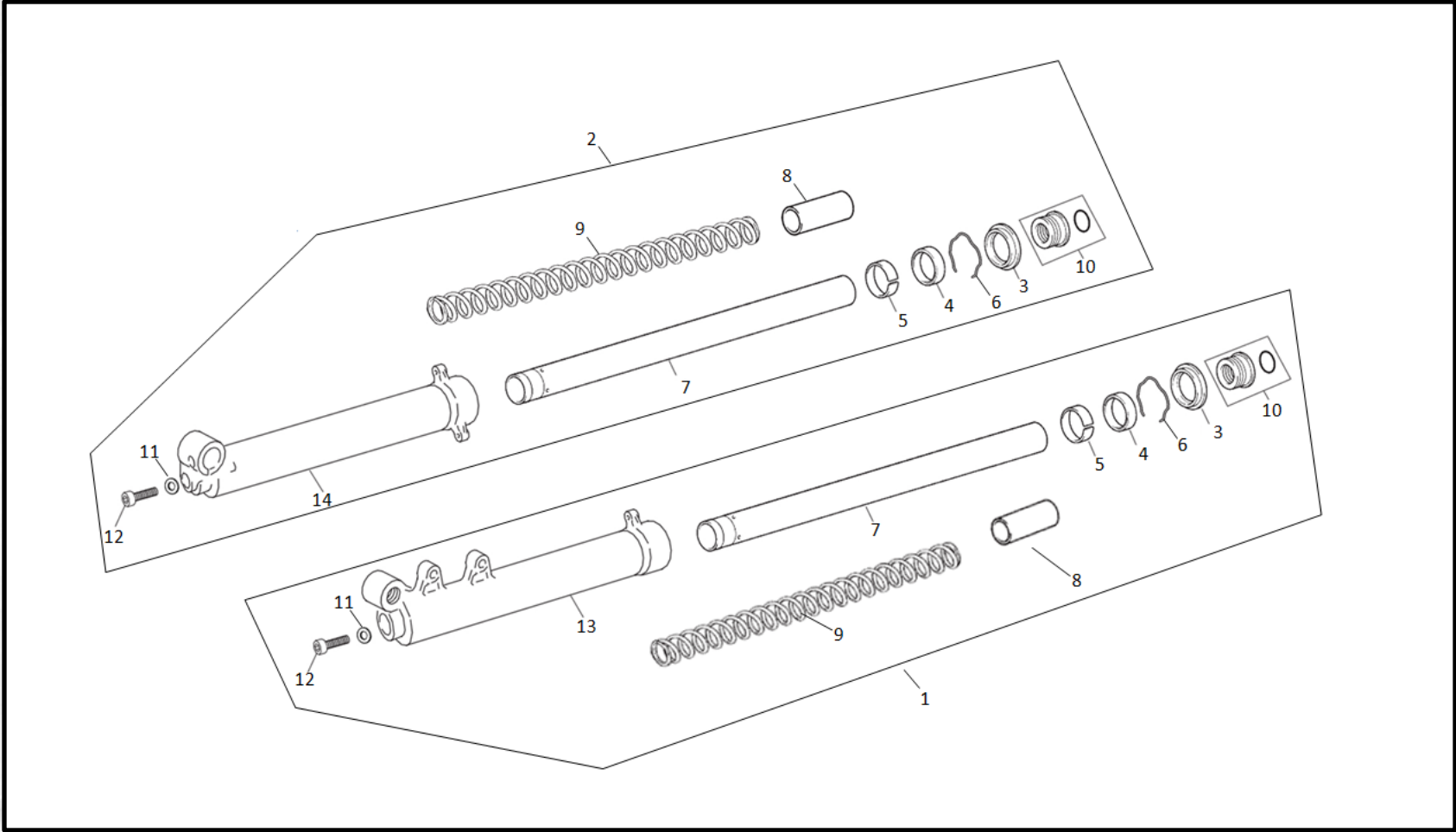
CADRE / FRAME



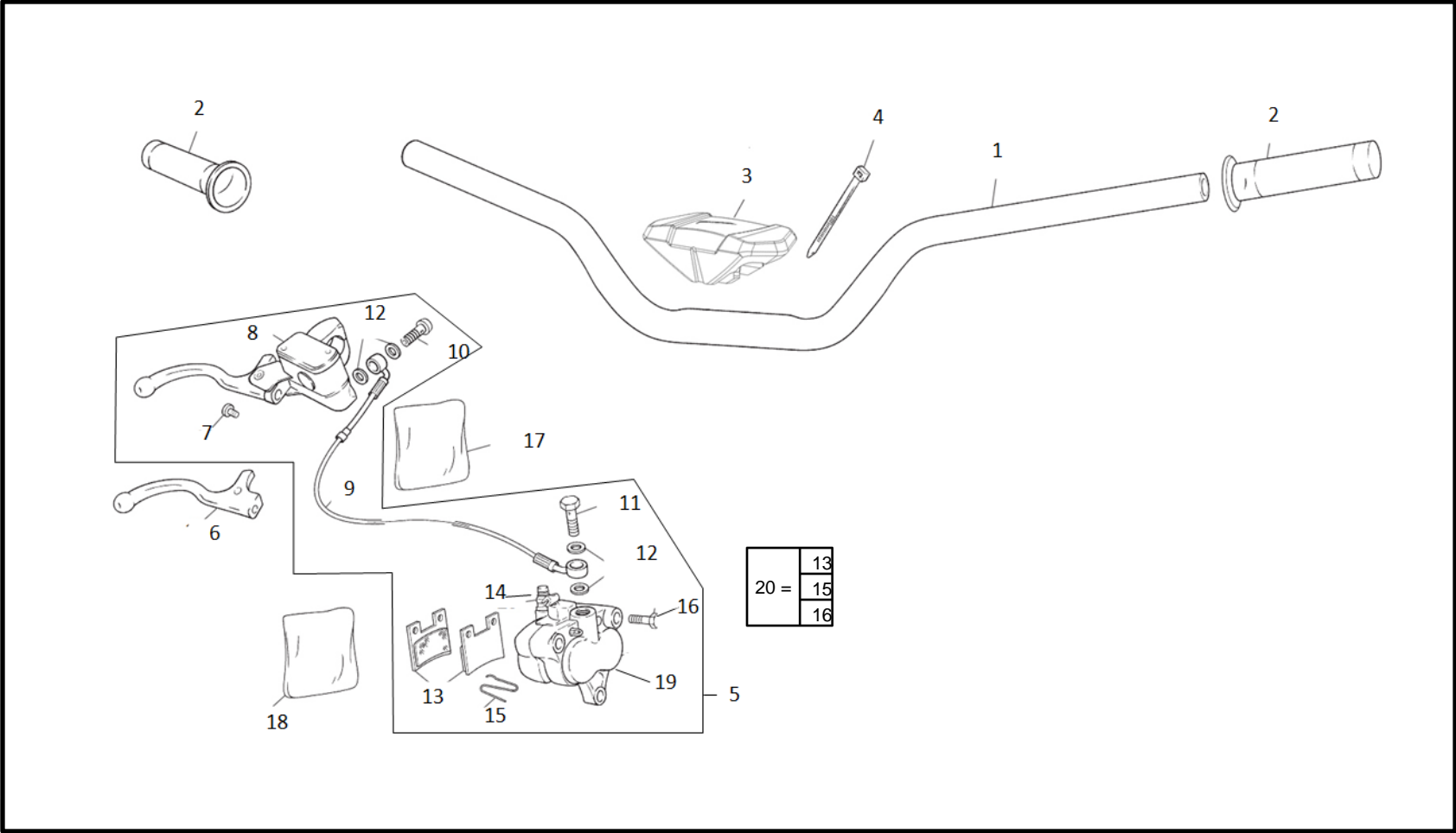
N°	REFERENCE	FRANCAIS	ENGLISH	QUANTITY
1	TL01J-10101-00-00	CADRE	FRAME	1
2	TL01J-10201-00-00	SUPPORT TRANSMISSION	BRACE TRANSMISSION	1
3	TL01J-10205-00-00	SUPPORT PACK BATTERIE	SUPPORT BATTERY PACK	2
4	TL01J-10203-00-00	PLATINE PACK BATTERIE	BATTERY PACK PLATE	1
5	ORV01-04008-10-00	RIVET 4 X 10	RIVET 4 X 10	6
6	TL01J-10105-00-00	PAIRE DE REPOSE PIED COMPLET	SET FOOTREST	1
7	0V010-08045-00-00	VIS CHC 8 X 45	SCREW CHC 8 X 45	2
8	0EC08-08000-00-00	ECROU NYLSTOP M8	NUT NYLSTOP M 8	6
9	TL01J-10104-00-00	SABOT MOTEUR	ENGINE PROTECTOR PLATE	1
10	0V050-08020-00-00	VIS TH 8 X 20	SCREW TH 8 X 20	2
11	0R001-8D018-1E-00	RONDELLE M 8	WASHER M 8	2
12	0V020-08020-00-00	VIS FHC 8 X 20	SCREW 8X 20	2
13	TL01J-60303-00-00	TAMPON SABOT	FRAME RUBBER	1
14	0CE06-16024-09-ZI	ECROU CLIP M 6	FAST NUT M 6	5
15	0ECWE-05015-00-00	ECROU WELNUT M 5	RUBBER WELNUT M 5	1
16	0V050-05020-00-00	VIS TH 5 X 20	SCREW TH 5 X 20	1
17	0EC03-05000-00-00	DEMI-ECROU M 5	MIDLE NUT M 5	1
18	0EC10-05013-00-00	RIVET TUBULAIRE M 5	TUBULAR RIVET M 5	8
19	TL01J-20504-00-00	RONDELLE DIRECTION	STEERING WASHER	2
20	TL01J-20508-00-00	ROULEMENT DIRECTION	STEERING BEARING	2
21	TL01J-20506-00-00	CACHE POUSSIERE	DUST COVER	1
22	0EC08-06000-00-00	ECROU NYLSTOP M6	NUT NYLSTOP M 6	2
23	0V150-06012-00-00	VIS THE 6 X 12	THE 6 x 12 SCREW	2
24	0V010-05012-00-00	VIS CHC 5 X 12	CHC 5 X 12 SCREW	2



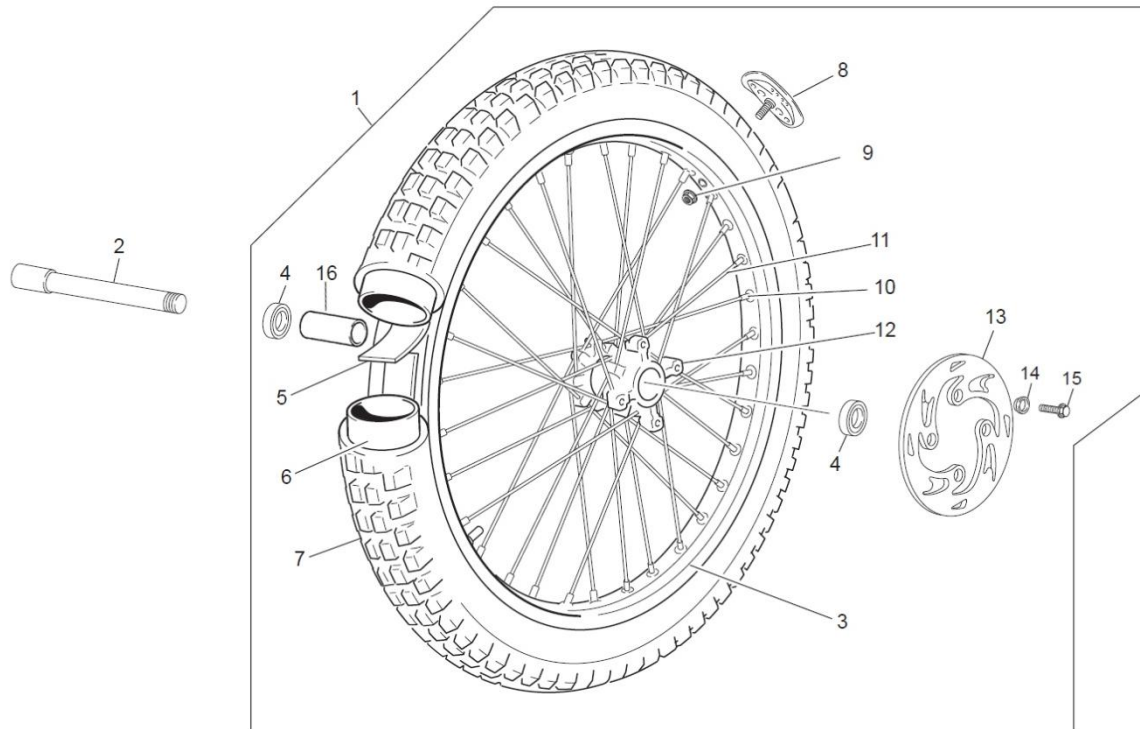
N°	REFERENCE	FRANCAIS	ENGLISH	QUANTITY
1	TL01J-20501-00-00	TE INFERIEUR + PIVOT	LOWER FORK CLAMP ASSY	1
2	TL01J-20502-00-00	TE SUPERIEUR	UPPER FORCK CLAMP	1
3	TL01J-20505-00-00	ECROU PRESSION	STEERING TOP BEARING NUT	1
4	TL01J-20507-00-00	ECROU PIVOT	STEERING AXLE TOP NUT	1
5	TL01J-20510-00-00	PAIRE DE PONTETS DE GUIDON	HANDLEBAR CLAMP SET	1
6	TL01J-60304-00-00	BUTEE DE DIRECTION GAUCHE	LEFT STEERING STOP	1
7	0V010-08020-00-00	VIS CHC 8 X 20	SCREW CHC 8 X 20	7
8	0V010-08030-00-00	VIS CHC 8 X 30	SCREW CHC 8 X 30	6
9	TL01J-60306-00-00	BUTEE DE DIRECTION DROITE	RIGHT STEERING STOP	1



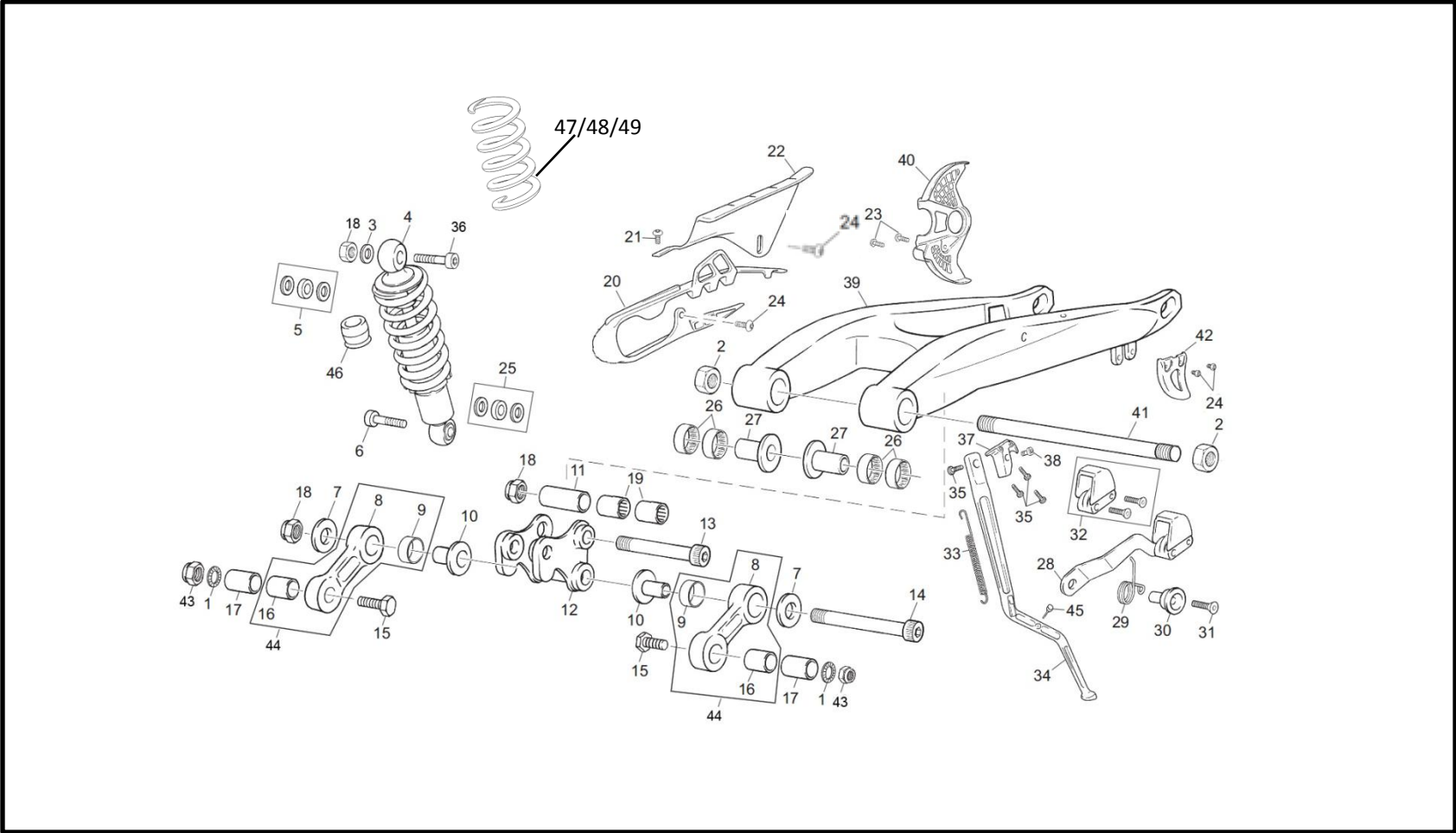
N°	REFERENCE	FRANCAIS	ENGLISH	QUANTITY
1	TL01J-20101-00-00	JAMBE DE FOURCHE GAUCHE	LEFT FRONT FORK ASSY	1
2	TL01J-20102-00-00	JAMBE DE FOURCHE DROITE	RIGHT FRONT FORK ASSY	1
3	TL01J-20122-00-00	CACHE POUSSIERE	DUST SEAL	2
4	TL01J-20121-00-00	JOINT SPY	OIL SEAL	2
5	TL01J-20120-00-00	BAGUE DE GUIDAGE	SLIDE LOWER	2
6	TL01J-20122-00-00	JONC MAINTIEN JOINT SPY	SNAP RING	2
7	TL01J-20106-00-00	TUBE DE FOURCHE	FRONT FORCK INNER TUBE	2
8	TL01J-20111-00-00	ENTRETOISE PRECONTRAINTE RESSORT	SPRING SPACER	2
9	TL01J-20108-00-00	RESSORT DROIT OU GAUCHE	RIGHT OR LETF SPRING	2
10	TL01J-20112-00-00	BOUCHON DE FOURCHE + JOINT	SET FORK PLUG	2
11	TL01J-20124-00-00	RONDELLE JOINT	SEAL WASHER	2
12	TL01J-20125-00-00	VIS	SPECIAL SCREW	2
13	TL01J-20104-00-00	FOUREAU GAUCHE	LEFT OUTER FORK TUBE	1
14	TL01J-20105-00-00	FOUREAU DROIT	RIGHT OUTER FORK TUBE	1



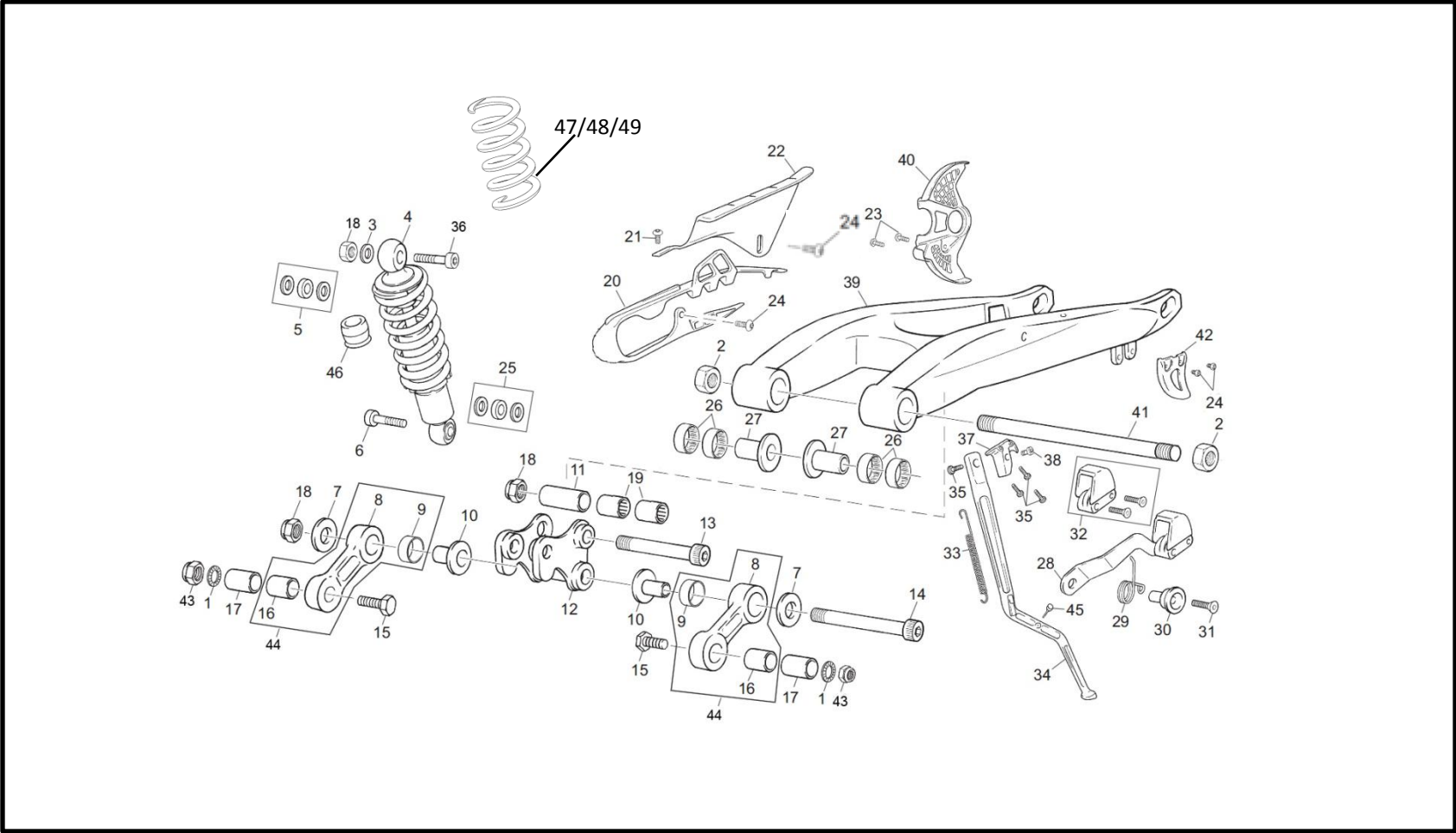
N°	REFERENCE	FRANCAIS	ENGLISH	QUANTITY
1	TL01J-20511-00-00	GUIDON TRIAL BLANC	HANDELBAR TRIAL WHITE	1
2	TL01J-60405-00-00	POIGNEE CAOUTCHOUC PAIRE	GRIPS SET	1
3	TL01J-60305-00-00	PROTECTION GUIDON	HANDELBAR PROTECTION	1
4	0C001-4H178-00-N0	COLLIER RYSLAN 178 X 4,8	ZIP TIE 178 X 4,8	1
5	TL01J-20200-00-00	LIGNE FREIN AVANT COMPLETE	FRONT BRAKE ASSY	1
6	TL01J-20211-00-00	LEVIER FREIN AVANT	FRONT BRAKE LEVER	1
7	TL01J-20213-00-00	BUTEE LEVIER	LEVER STOP	1
8	TL01J-20210-00-00	MAITRE CYLINDRE AVANT	FRONT BRAKE MASTER CYLINDER ASSY	1
9	TL01J-20212-00-00	DURITE FREIN AVANT	FRONT BRAKE HOSE	1
10	0V160-10021-00-0	VIS RACCORD BHC M10 X 21	SCREW BHC PRESSURE HOSE	1
11	0V140-10021-00-00	VIS RACCORD TH M10 X 21	SCREW TH PRESSURE HOSE	1
12	0JA00-10014-1E-00	RONDELLE 10 X 14 X 1,5	WASHER 10 X 14 X 1,5	4
13	TL01J-20202-00-00	PLAQUETTES FREIN AVANT PAIRE	PAIR FRONT BRAKE PAD	1
14	TL01J-20216-00-00	VIS PURGE AVEC BOUCHON	BLEEDER CAP ASSY	1
15	TL01J-20203-00-00	CLIP EPINGLE PLAQUETTE	PAD PIN CLIP	1
16	TL01J-20204-00-00	AXE BLOCAGE PLAQUETTE AVANT	FRONT STOP PAD AXLE	1
17	TL01J-20220-00-00	KIT REPARATION MAITRE CYLINDRE AV	FRONT BRAKE PUMP KIT REPAIR	1
18	TL01J-20221-00-00	KIT REPARATION ETRIER AVANT	FRONT CALIPER REPAIR KIT	1
19	TL01J-20217-00-00	ETRIER AVANT	FRONT CALIPER	1
20	TL01J-20205-00-00	KIT PLAQUETTE AVANT COMPLET	FRONT PAD KIT	1



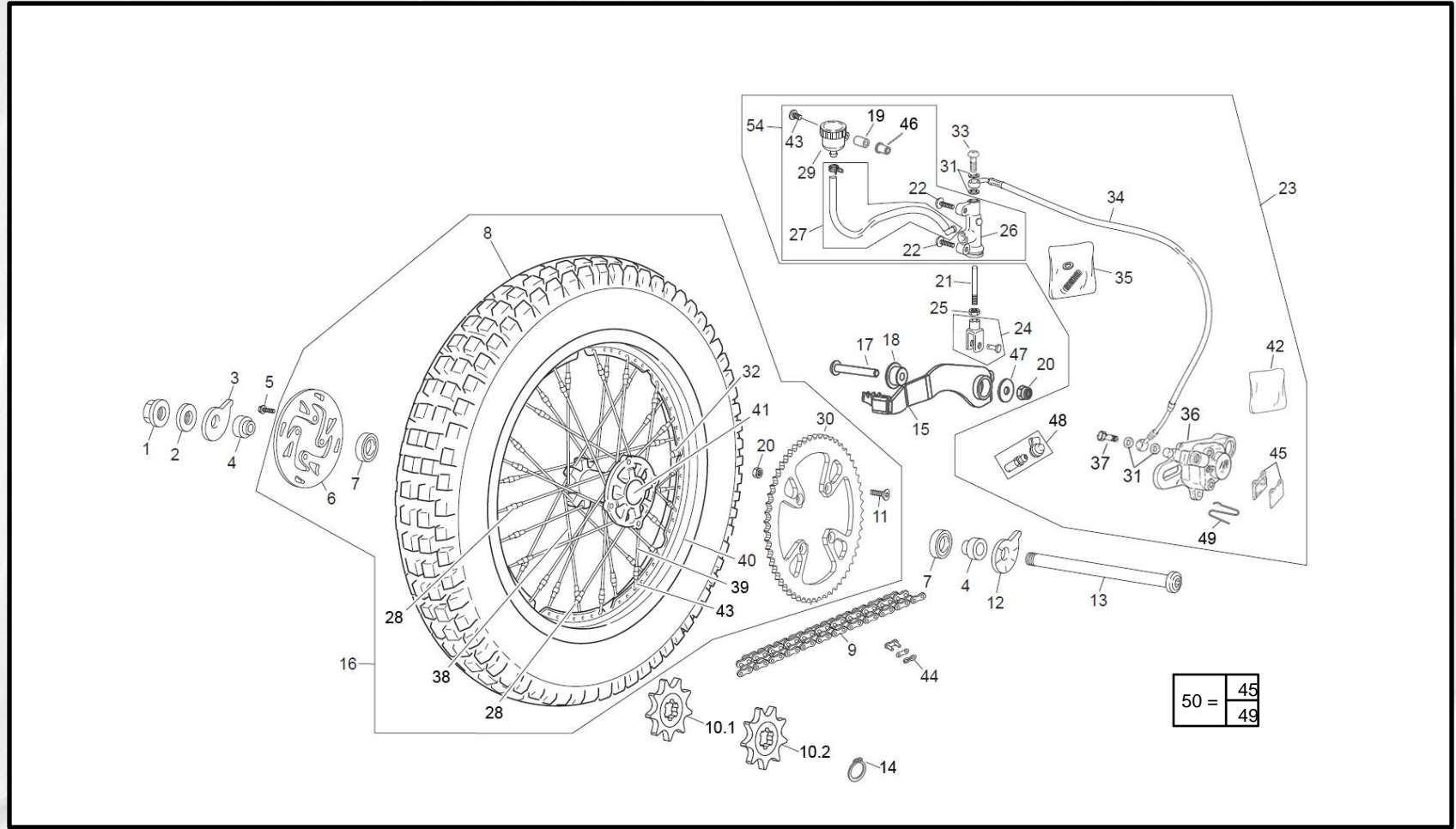
N°	REFERENCE	FRANCAIS	ENGLISH	QUANTITY
1	TL01J-20301-00-0	ROUE AVANT TRIAL	FRONT WHEEL ASSY	1
2	TL01J-20403-00-00	AXE DE ROUE AVANT	FRONT WHEEL AXLE	1
3	TL01J-20311-00-00	JANTE AVANT TRIAL 32 RAYONS	FRONT TRIAL 32 SPOKES RIM	1
4	ORBR1-06004-01-00	ROULEMENT DE MOYEU	HUB BEARING	2
5	TL01J-20322-00-00	RUBAN FOND DE JANTE	PROTECTEUR RIM RUBBER	1
6	TL01J-20323-00-00	CHAMBRE A AIR 21"	21" TUBE	1
7	TL01J-20312-00-00	PNEU AVANT 2,75X21	2,75 X 21" FRONT TYRE	1
8	TL01J-20321-00-00	GRIPSTER	GRIPSTER	1
9	0EC08-08000-00-00	ECROU NYLTOP M8	NUT NYLSTOP M 8	1
10	TL01J-20313-00-00	ECROU DE RAYON AVANT	FRONT SPOKE NIPPLE	32
11	TL01J-20314-00-00	RAYON NOIR DE ROUE AVANT	BLACK FRONT SPOCKE	32
12	TL01J-20310-00-00	MOYEU AVANT COMPLET	FRONT HUB ASSY	1
13	TL01J-20222-00-00	DISQUE FREIN AVANT TRIAL	FRONT BRAKE DISC TRIAL	1
14	TL01J-20223-00-00	ENTRETOISE DISQUE AVANT	FRONT DISC SPACER	4
15	OV150-06020-00-00	VIS HEXAGONALE EPAULE M6 X 20	SPECIAL EXAGONAL SCREW M 6 X 20	4
16	TL01J-20316-00-00	ENTRETOISE INTERNE MOYEU	FRONT HUB SPACER	1



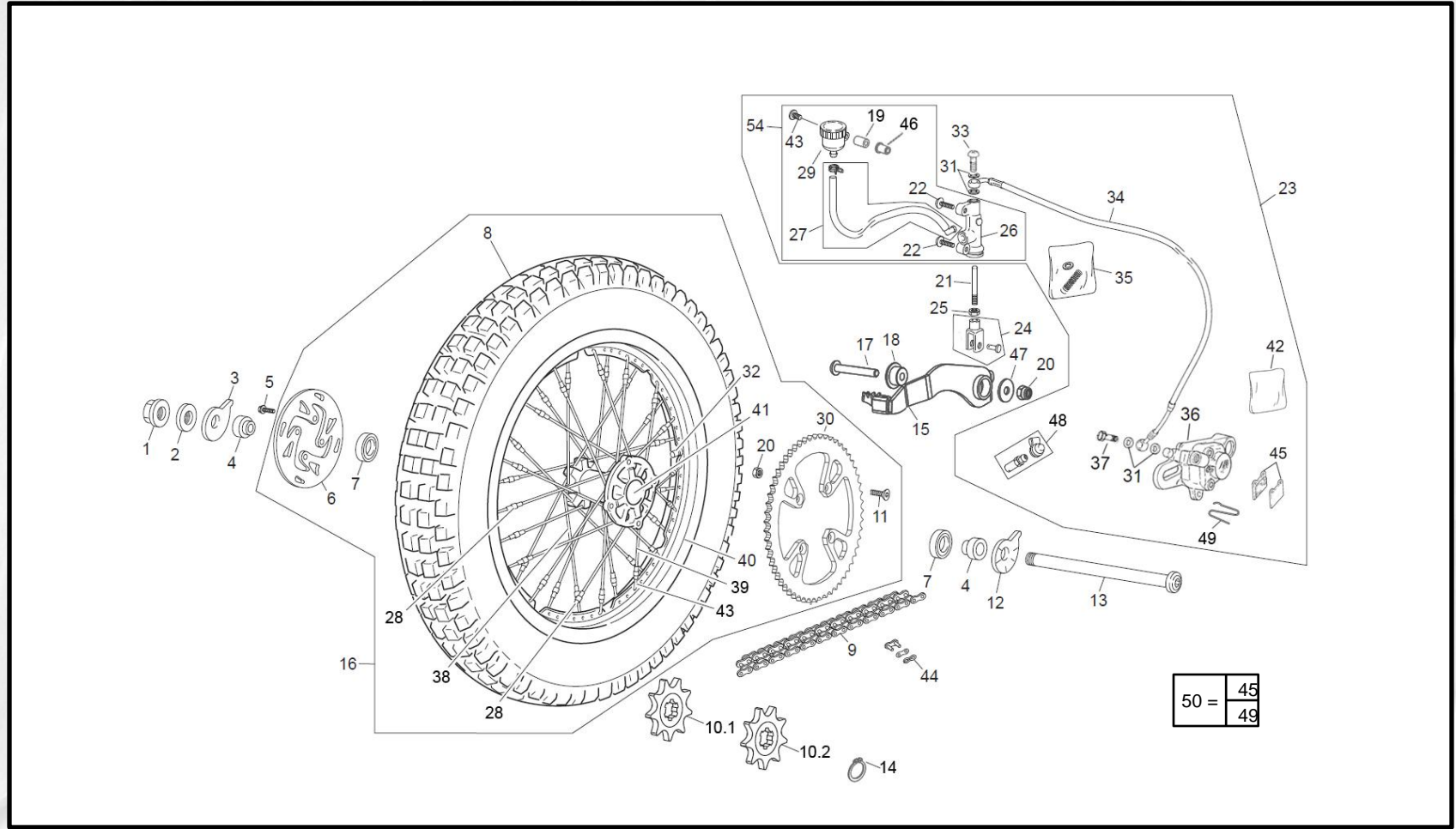
N°	REFERENCE	FRANCAIS	ENGLISH	QUANTITY
1	0R002-8C013-1D-00	RONDELLE AET 8	WASHER AET 8	2
2	TL01J-30103-00-00	ECROU 14	NUT 14	2
3	0R001-10020-02-00	RONDELLE M 10	WASHER M 10	2
4	TL01J-30401-00-00	AMORTISSEUR	REAR SHOCK	1
5	TL01J-30411-00-00	KIT ROTULE AMORTISSEUR SUPERIEUR	SUPERIOR BALL AND SOCKET SEAL	1
6	0V010-10042-04-00	VIS 10 X 42	AXLE 10 X 42	1
7	0R001-10030-2E-00	RONDELLE M 10 X 30	WASHER 10 X 30	2
8	TL01J-30111-01-ASM	BIELLETTTE DE SUSPENSION	REAR SUSPENSION LINK	2
9	0DF01-16018-15-00	DOUILLE FRICTION 16X18X15	GLACIER BUSHING 16X18X15	2
10	TL01J-30109-00-00	ENTRETOISE BIELLETTE-BASCULEUR	SPACER SWING ARM	2
11	TL01J-30107-00-00	ENTRETOISE SUSPENSION	SUSPENSION SPACER	2
12	TL01J-30108-00-00	BASCULEUR SUSPENSION	REAR SUSPENSION DELTA LINK	1
13	0V010-10072-04-00	AXE 10 X 72	AXLE 10 x 72	1
14	0V010-10120-04-00	AXE 10 X 120	AXLE 10 X 120	1
15	0V100-08035-00-00	VIS SPECIALE	SPECIAL SCREW	2
16	0DF01-14016-15-00	DOUILLE FRICTION 14X16X15	GLACIER BUSHING 14X16X15	2
17	TL01J-30113-00-00	ENTRETOISE BIELLETTE-CADRE	FRAME LINK SPACER	2
18	0EC08-10000-00-00	ECROU NYLSTOP M10	NUT NYLSTOP M 10	3
19	TL01J-30106-00-00	DOU. AIGUI. BRAS/SUSP HK16X20X2RS	NEEDLE BEARING 16 X 20 X 2RS	2
20	TL01J-30140-00-00	PATIN DE CHAINE	CHAIN GUIDE	1
21	0V040-05016-00-00	VIS BHC 5 X 16	SCREW BHC 5 X 16	1
22	TL01J-30141-00-00	CARTER DE CHAINE	CHAIN PROTECTOR	1
23	0V040-06010-00-00	VIS BHC 6X10	SCREW BHC 6 X 10	2
24	0V040-05010-00-00	VIS BHC 5X10	SCREW BHC 5 X 10	4
25	TL01J-30412-00-00	KIT ROTULE AMORTISSEUR INFERIEUR	INFERIOR BALL AND SOCKET SEAL	1



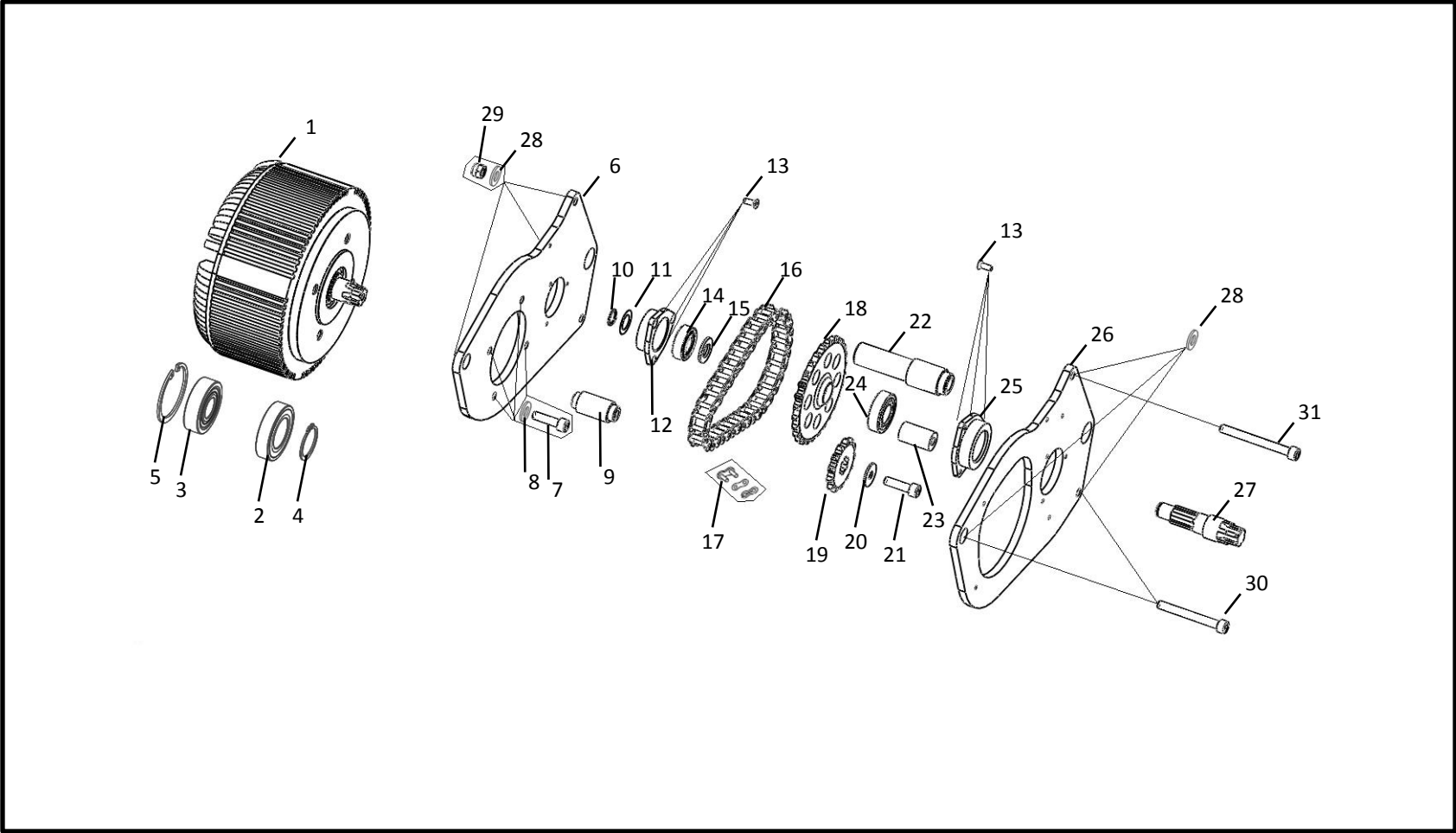
N°	REFERENCE	FRANCAIS	ENGLISH	QUANTITY
26	TL01J-30104-00-00	DOUILLE AIGUILLE BRAS HK20X20X2 RS	NEEDLE BEARING 20 X 20 X 2RS	4
27	TL01J-30105-00-00	ENTRETOISE CADRE-BRAS	SWING ARM SPACER	2
28	TL01J-30130-00-00	TENDEUR DE CHAINE	CHAIN TENSIONER	1
29	TL01J-30132-00-00	RESSORT TENDEUR DE CHAINE	CHAIN TENSIONER SPRING	1
30	TL01J-30131-00-00	ENTRETOISE TENDEUR DE CHAINE	CHAIN TENSIONER SPACER	1
31	0V020-08035-00-00	VIS FHC 8X35	SCREW FHC 8 X 35	1
32	TL01J-30130-02-ASM	CAOUTCHOUC TENDEUR	CHAIN TENSIONER RUBBER	1
33	TL01J-30123-00-00	RESSORT DE BEQUILLE	LATERAL STAND SPRING	1
34	TL01J-30121-00-00	BEQUILLE	LATERAL STAND	1
35	0V040-08012-00-00	VIS BHC 8 X 12	SCREW BHC 8 X 12	4
36	0V010-10050-04-00	VIS 10 X 50	AXLE 10 X 50	1
37	TL01J-30120-00-00	SUPPORT BEQUILLE	STAND HOLDER	1
38	TL01J-30122-00-00	VIS SPECIALE BEQUILLE	SPECIAL STAND SCREW	1
39	TL01J-30101-00-00	BRAS OSCILLANT MAT 07	SWING ARM	1
40	TL01J-30142-00-00	PROTEGE DISQUE ARRIERE	BRAKE DISC PROTECTOR	1
41	TL01J-30102-00-00	AXE BRAS OSCILLANT	SWING ARM AXLE	1
42	TL01J-30143-00-00	PROTEGE COURRONE	SPROKET PROTECTOR	1
43	0EC08-08000-00-00	ECROU NYLSTOP M8	NUT NYLSTOP M 8	2
44	TL01J-30111-00-00	BIELLETTTE COMPLETE	REAR SUSPENSION LINK ASSY	2
45	TL01J-30144-00-00	CAOUTCHOUC BEQUILLE	STAND RUBBER	1
46	TL01J-30401-10-ASM	BUTEE CAOUTCHOUC AMORTISSEUR	REAR SHOCK RUBBER	1
47	TL01J-30401-R1-ASM	RESSORT AMORTISSEUR MEDIUM	MEDIUM REAR SHOCK SPRING	1
48	TL01J-30401-R2-ASM	RESSORT AMORTISSEUR SOUPLE	SOFT REAR SHOCK SPRING	1
49	TL01J-30401-R3-ASM	RESSORT AMORTISSEUR DUR	HARD REAR SHOCK SPRING	1



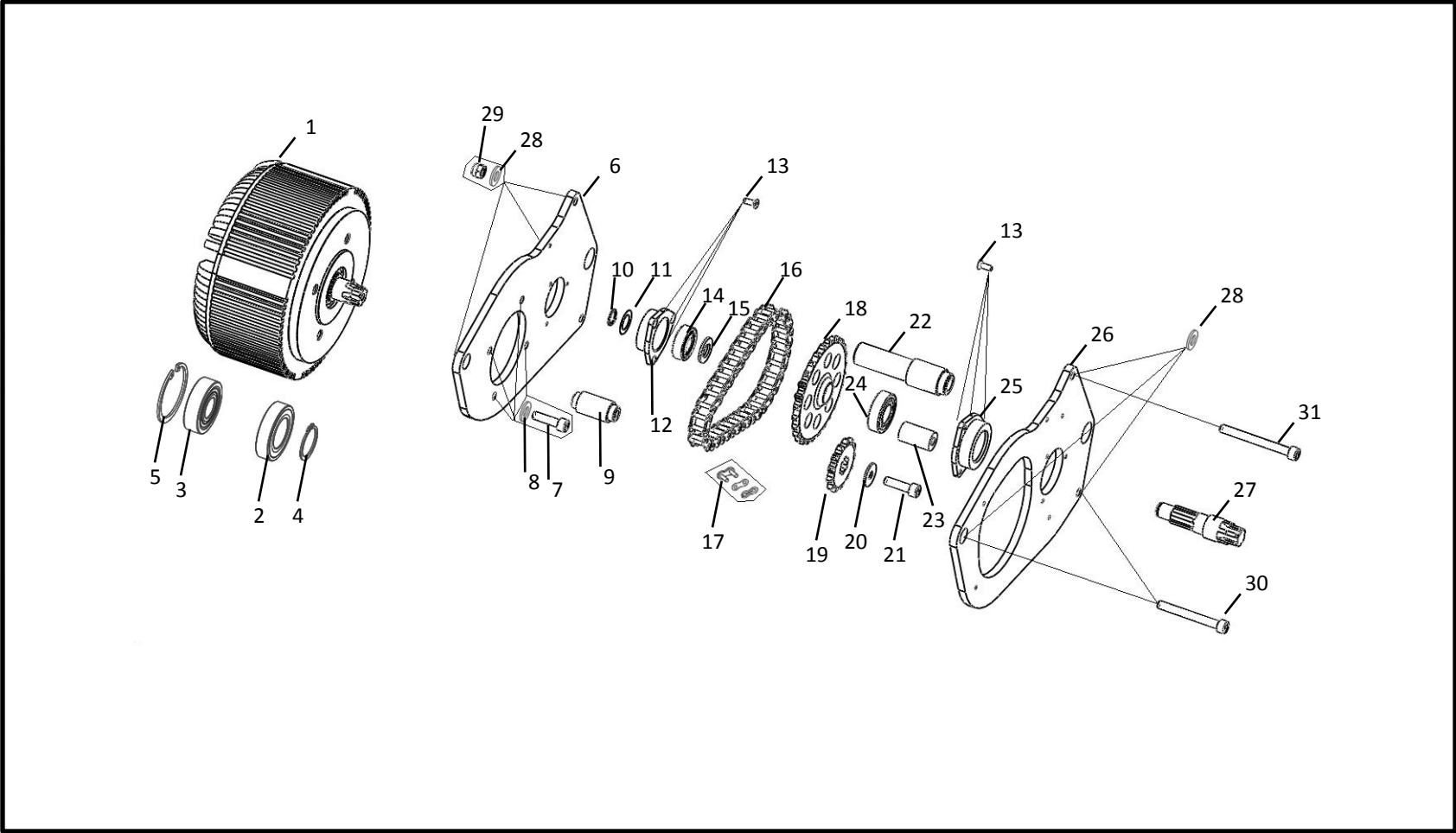
N°	REFERENCE	FRANCAIS	ENGLISH	QUANTITY
1	TL01J-30303-00-00	ECROU ROUE ARRIERE	NUT M 17	1
2	0R001-16030-03-00	RONDELLE M 16	WASHER M 16	1
3	TL01J-30305-00-00	EXCENTRIQUE DROIT	RIGHT CHAIN CAM ADJUSTER	1
4	TL01J-30306-00-00	ENTRETOISE ROUE ARRIERE	REAR WHELL SPACER	2
5	0V150-06020-00-00	VIS TH E 6 X 20	SCREW TH E 6 X 20	4
6	TL01J-30203-00-00	DISQUE FREIN ARRIERE TRIAL	REAR BRAKE TRIAL DISC	1
7	0RBR1-06004-01-00	ROULEMENT DE MOYEU 6004 2RS	HUB BEARING	2
8	TL01J-30312-00-00	PNEU ARRIERE TRIAL 4.00 X 18	REAR TRIAL TYRE 4.00 X 18	1
9	0CHA4-28130-00-00	CHAINE 428	428 CHAIN	1
10,1	0P316-20428-09-10	PIGNON 9 DENTS	9T FRONT SPROCKET	1
10,2	0P316-20428-11-10	PIGNON 11 DENTS	11T FRONT SPROCKET	1
11	0V020-08025-00-00	VIS FHC 8 X 25	SCREW FHC 8 X 25	4
12	TL01J-30304-00-00	EXCENTRIQUE GAUCHE	LEFT CHAIN CAM ADJUSTER	1
13	TL01J-30302-00-00	AXE ROUE ARRIERE	REAR WHEEL AXLE	1
14	0CP01-0201B-00-00	CIRCLIP M20	CIRCLIP M 20	1
15	TL01J-30201-00-00	PEDALE FREIN ARRIERE	REAR BRAKE PEDAL	1
16	TL01J-30301-00-00	ROUE ARRIERE TRIAL	REAR TRIAL WHEEL ASSY	1
17	0V040-08050-00-00	VIS BHC 8 X 50	SCREW BHC 8 X 50	1
18	TL01J-30211-00-00	ENTRETOISE PEDALE DE FREIN	BRAKE PEDAL SPACER	1
19	0E05B-10015-00-00	ENTRETOISE BOCAL FREIN	BRAKE TANK SPACER	1
20	0EC08-08000-00-00	ECROU NYLSTOP M8	NUT NYLSTOP M 8	4
21	TL01J-30221-00-00	TIGE FREIN ARRIERE	REAR BRAKE ROD	1
22	0V040-06016-00-00	VIS BHC 6 X 16	SCREW BHC 6 X 16	2
23	TL01J-30200-00-00	GROUPE FREIN ARRIERE	REAR BRAKE ASSY	1
24	TL01J-30220-00-00	CHAPE PEDALE FREIN	BRAKE PEDAL CLEVIS	1
25	0EC02-06000-00-00	ECROU STANDARD M6	STANDARD NUT M 6	1



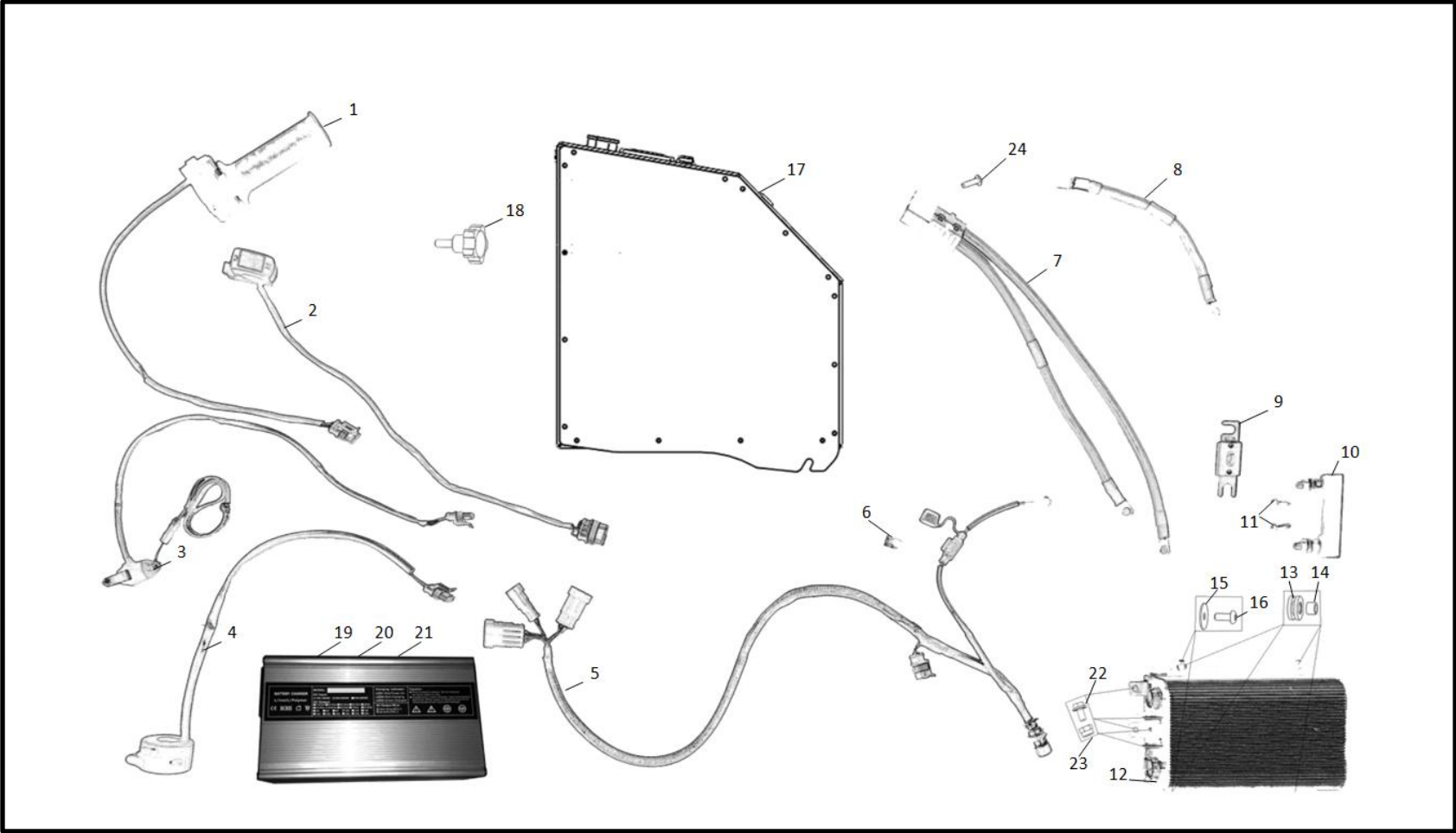
N°	REFERENCE	FRANCAIS	ENGLISH	QUANTITY
26	TL01J-30202-00-00	POMPE FREIN AR	REAR BRAKE PUMP	1
27	TL01J-30210-00-00	TUBE LIQUI. FREIN BOCAL/POMPE	OIL TANK PIPE	1
28	TL01J-30313-00-00	ECROU DE RAYON ARRIERE	REAR SPOKE NIPPLE	32
29	TL01J-30209-00-00	BOCAL LIQUIDE FREIN	OIL BRAKE TANK	1
30	OCR80-00428-57-00	COURRONE 57D 4 TROUS	DRIVEN SPROCKET 57 T	1
31	OJA00-10014-1E-00	RONDELLE 10 X 14 X 1,5	WASHER 10 X 14 X 1,5	4
32	TL01J-30220-00-00	VALVE TUBELESS	TUBELESS VALVE	1
33	0V160-10021-00-0	VIS RACCORD BHC M10 X 21	SCREW BHC PRESSURE HOSE	1
34	TL01J-30208-00-00	DURITE FREIN ARRIERE	REAR BRAKE HOSE	1
35	TL01J-30212-00-00	KIT REPARATION POMPE FREIN	REAR BRAKE PUMP KIT REPAIR	1
36	TL01J-30204-00-00	ETRIER FREIN ARRIERE	REAR BRAKE CALIPER	1
37	0V140-10021-00-00	VIS RACCORD TH M10 X 21	SCREW TH PRESSURE HOSE	1
38	TL01J-30316-00-00	RAYON NOIR ROUE ARR 32 R DISQUE	REAR WHELL DISC SPOCKE	16
39	TL01J-30315-00-00	RAYON NOIR ROUE ARR 32 R COURRONE	REAR WHELL SPROCKET SPOCKE	16
40	TL01J-30311-00-00	JANTE ARRIERE TRIAL 32 RAYONS	REAR TRIAL 32 SPOKES WHELL	1
41	TL01J-30310-00-00	MOYEU ARRIERE	REAR HUB	1
42	TL01J-30213-00-00	KIT REPARATION ETRIER ARRIERE	REAR CALIPER REPAIR KIT	1
43	TL01J-30314-00-00	RAYON NOIR COURT ARRIERE	REAR WHEEL SHORT SPOKE	32
44	0AT02-42800-00-00	ATTACHE RAPIDE DE CHAINE	CONNECTING LINK	1
45	TL01J-30205-00-00	PLAQUETTES FREIN ARRIERE PAIRE	PAIR REAR BRAKE PAD	1
46	0ECWE-05015-00-00	ECROU WELNUT M 5	RUBBER WELNUT M 5	1
47	0R001-8D025-02-00	RONDELLE M 8 X 25	WASHER M 8 X 25	1
48	TL01J-30207-00-00	VIS PURGE AVEC BOUCHON	BLEEDER CAP ASSY	1
49	TL01J-30206-00-00	AXE EPINGLE PLAQUETTE	PAD PIN CLIP	1
50	TL01J-30214-00-00	KIT PLAQUETTES ARRIERE COMPLET	REAR PAD KIT	1



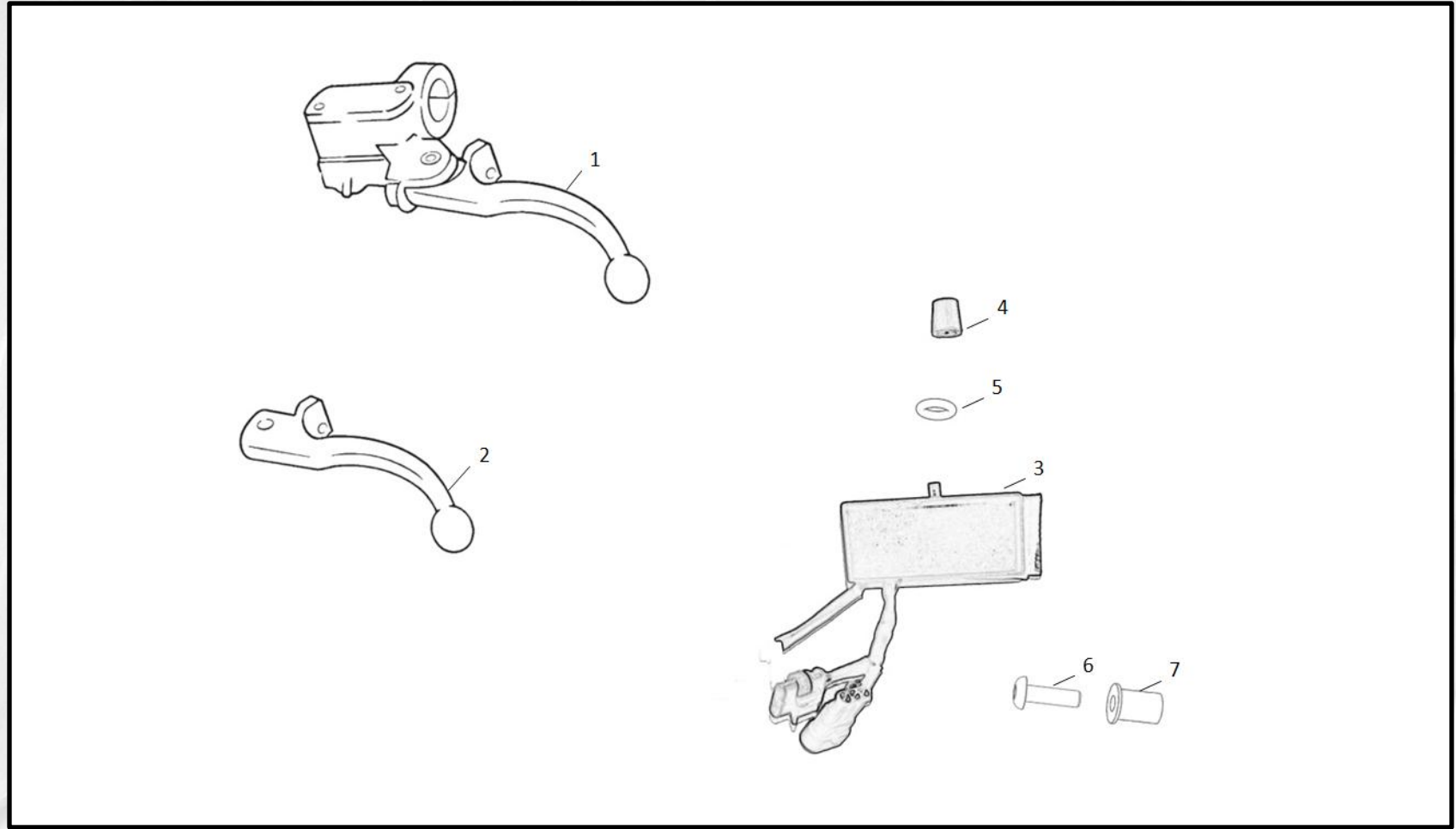
N°	REFERENCE	FRANCAIS	ENGLISH	QUANTITY
1	TL01J-40100-00-00	MOTEUR COMPLET	MOTOR ASSY	1
2	0RBR1-06006-01-00	ROULEMENT 6006	BEARING 6006	1
3	0RBR1-06304-01-00	ROULEMENT 6304	BEARING 6304	1
4	OCP01-0301E-00-00	CIRCLIP ARBRE 30	SHAFT CIRCLIP 30	1
5	OCP02-05602-00-00	CIRCLIP ALESAGE 56	BORE CIRCLIP 56	1
6	TL01J-50102-00-00	PLATINE MOTEUR DROITE	RIGTH ENGINE PLATE	1
7	0V010-08025-00-00	VIS CHC M 8 X 25	SCREW CHC M 8 X 25	5
8	0R012-08018-00-00	RONDELLE M 8 CONTACT	SPECIAL WASHER M 8	4
9	TL01H-50104-00-00	ENTRETOISE PLATINE AVANT	FRONT PLATE SPACER	1
10	OCP01-01501-00-00	CIRCLIP ARBRE 15	SHAFT CIRCLIP 15	1
11	0R011-15021-0C-00	RONDELLE CALAGE 15	CALIBRATION WASHER 15	2
12	TL01J-10121-00-00	COQUILLE ROULEMENT DROITE	RIGHT ROLL BOX BEARING	1
13	0V020-05016-00-00	VIS FHC M 5 X 16	SCREW FHC 5 X 16	6
14	0RBR1-06202-01-00	ROULEMENT 6202	BEARING 6202	1
15	0R001-15028-2E-00	RONDELLE 15	WASHER 15	1
16	0CHA4-28038-00-00	CHAINE PRIMAIRE	PRIMARY CHAIN	1
17	0AT04-42800-00-00	ATTACHE RAPIDE	CONNECTING LINK	1
18	0P316-20428-28-00	COURONNE PRIMAIRE 28 DENTS	PRIMARY SPROCKET 28 T	1
19	0P316-20428-13-10	PIGNON 13 DENTS	SPROCKET 13 T	1
20	0R001-8D025-02-00	RONDELLE M 8 X 25	WASHER M 8 X 25	1
21	0V010-08020-00-00	VIS CHC M 8 X 20	SCREW CHC M 8 X 20	1
22	TL01H-50103-00-00	ENTRETOISE PLATINE BRAS	SWING ARM PLATE SPACER	1
23	0E34H-8E020-00-00	ENTRETOISE PLATINE ARRIERE	REAR PLATE SPACER	1
24	0RBR1-06004-01-00	ROULEMENT 6004	BEARING 6004	1
25	TL01J-10120-00-00	COQUILLE GAUCHE	LEFT ROLL BOX BEARING	1



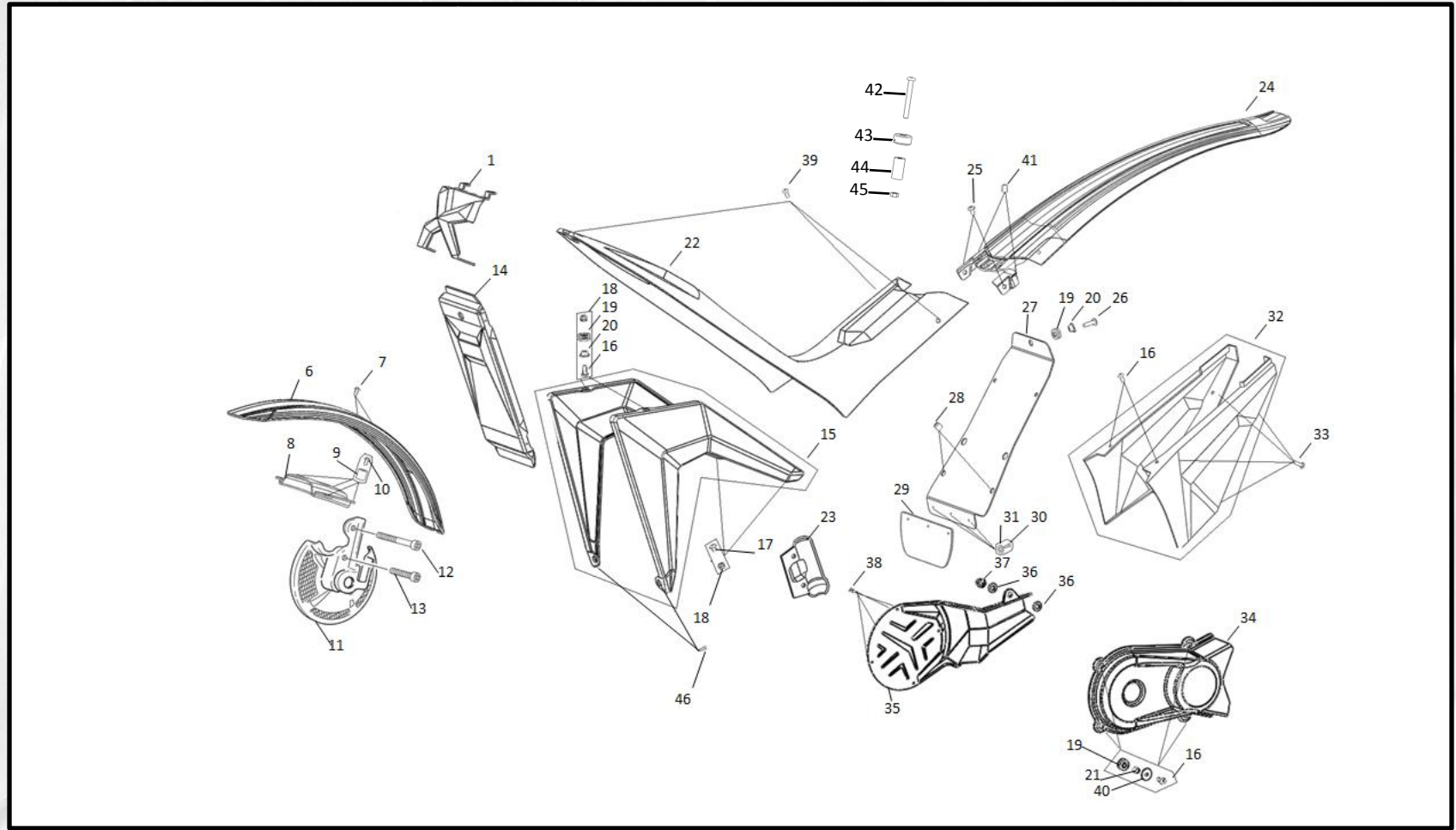
N°	REFERENCE	FRANCAIS	ENGLISH	QUANTITY
26	TL01J-50101-00-00	PLATINE MOTEUR GAUCHE	LEFT ENGINE PLATE	1
27	TL01J-50110-00-00	ARBRE PRIMAIRE	PRIMARY SHAFT	1
28	0R001-8D018-00-00	RONDELLE M 8	WASHER M 8	6
29	0EC08-08000-00-00	ECROU NYLSTOP M 8	NUT NYLSTOP M 8	3
30	0V010-08070-00-00	VIS CHC M 8 X 70	SCREW CHC M 8 X 70	2
31	0V010-08080-00-00	VIS CHC M 8 X 80	SCREW CHC M 8 X 80	1



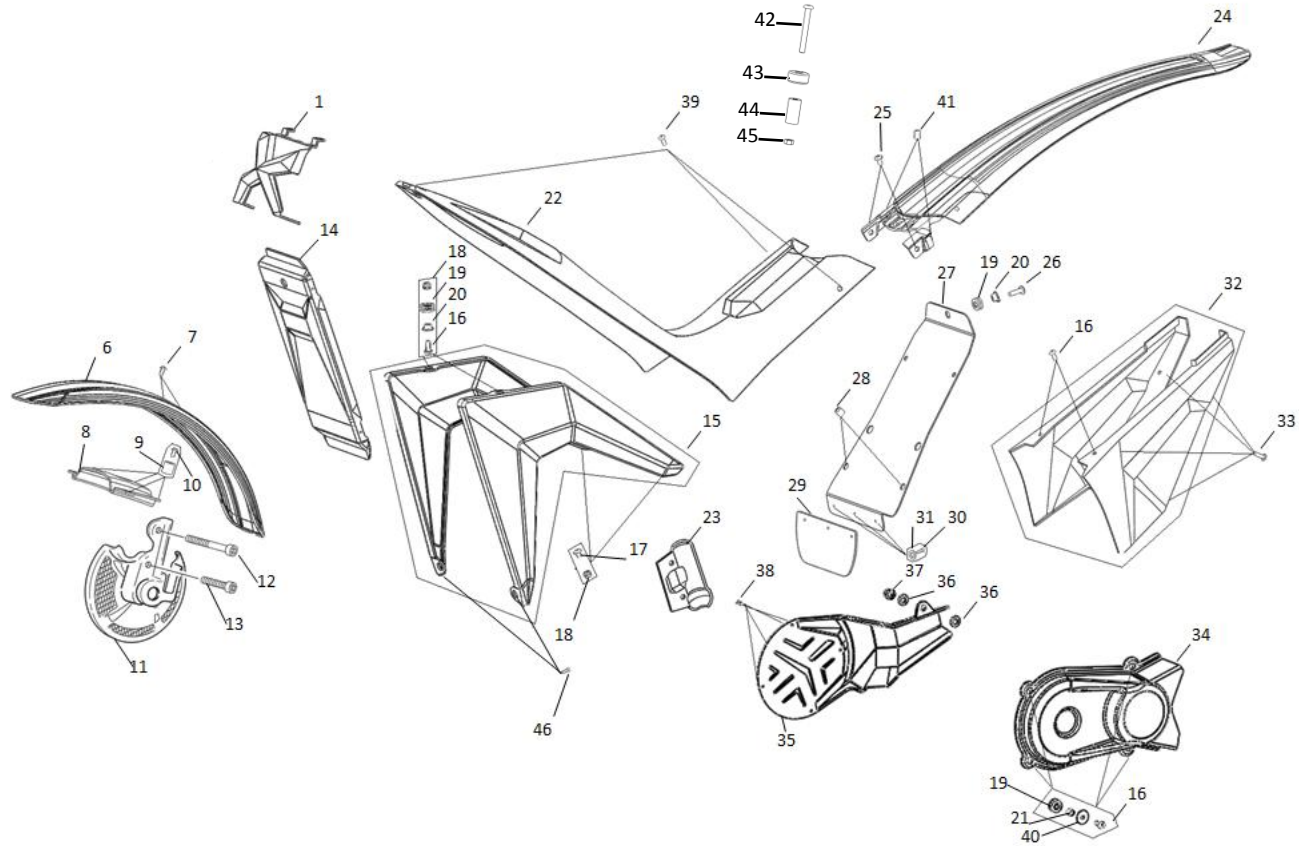
N°	REFERENCE	FRANCAIS	ENGLISH	QUANTITY
1	TL01J-60401-00-00	POIGNEE ACCELERATEUR	THROTTLE HANDLE	1
2	TL01J-60407-00-00	COMMUTATEUR MAP	MAP COMMUTATOR	1
3	TL01J-60101-00-00	AIMANT ARRET URGENCE	MAGNET EMERGENCY STOP	1
4	TL01J-60406-00-00	COMMUTATEUR GENERAL	MAIN COMMUTATOR	1
5	TL01J-50404-00-00	FAISCEAU PRINCIPAL	MAIN HARNESS	1
6	FUS02-00002-00-00	FUSIBLE 2A	2A FUSE	1
7	TL01J-50212-00-00	CABLE DECHARGE MOTO	MOTORCYCLE DISCHAGE CABLE	1
8	TL01J-50213-00-00	CABLE FUSIBLE CONTROLEUR	FUSE CONTROLLER CABLE	1
9	FUS01-00200-01-00	FUSIBLE PRINCIPAL 200A	200A MAIN FUSE	1
10	TL01H-50208-00-00	PORTE FUSIBLE PRINCIPAL	MAIN FUSE HOLDER	1
11	0V110-4H016-00-00	VIS 4,8 X 16	SCREW	1
12	TL01H-50301-00-00	CONTROLEUR	CONTROLLER	1
13	0SL01-11018-7E-00	SILENTBLOCK	SILENTBLOCK	4
14	0E06E-0906F-00-00	ENTRETOISE	SPACER	4
15	0R001-5C015-1C-00	RONDELLE M 5	WASHER M 5	2
16	0V040-05016-00-00	VIS BHC 5 X 16	SCREW BHC 5 X 16	2
17	TL01J-50200-00-00	PACK BATTERIE	BATTERY PACK	1
18	0V170-06015-00-00	MOLETTE M 6 X 15	SPECIAL SCREW M6 X 15	3
19	CHG01-48006-02-01	CHARGEUR 6A + ADAPTATEUR	6A CHARGER OPTIONAL + ADAPTEUR	1
20	CHG01-48010-02-01	CHARGEUR 10A SERIE + ADAPTATEUR	10A CHARGER SERIE + ADAPTEUR	1
21	CHG01-48015-02-01	CHARGEUR 15A + ADAPTATEUR	15A CHARGER OPTIONAL + ADAPTEUR	1
22	0V150-06012-00-00	VIS THE M 6 X 12	SCREW TH E M 6 X 12	5
23	0EC08-06000-00-00	ECROU NYLSTOP M 6	NUT NYLSTOP M 6	5
24	0V040-05020-00-00	VIS BHC 5 X 20	SCREW BHC 5 X 20	1



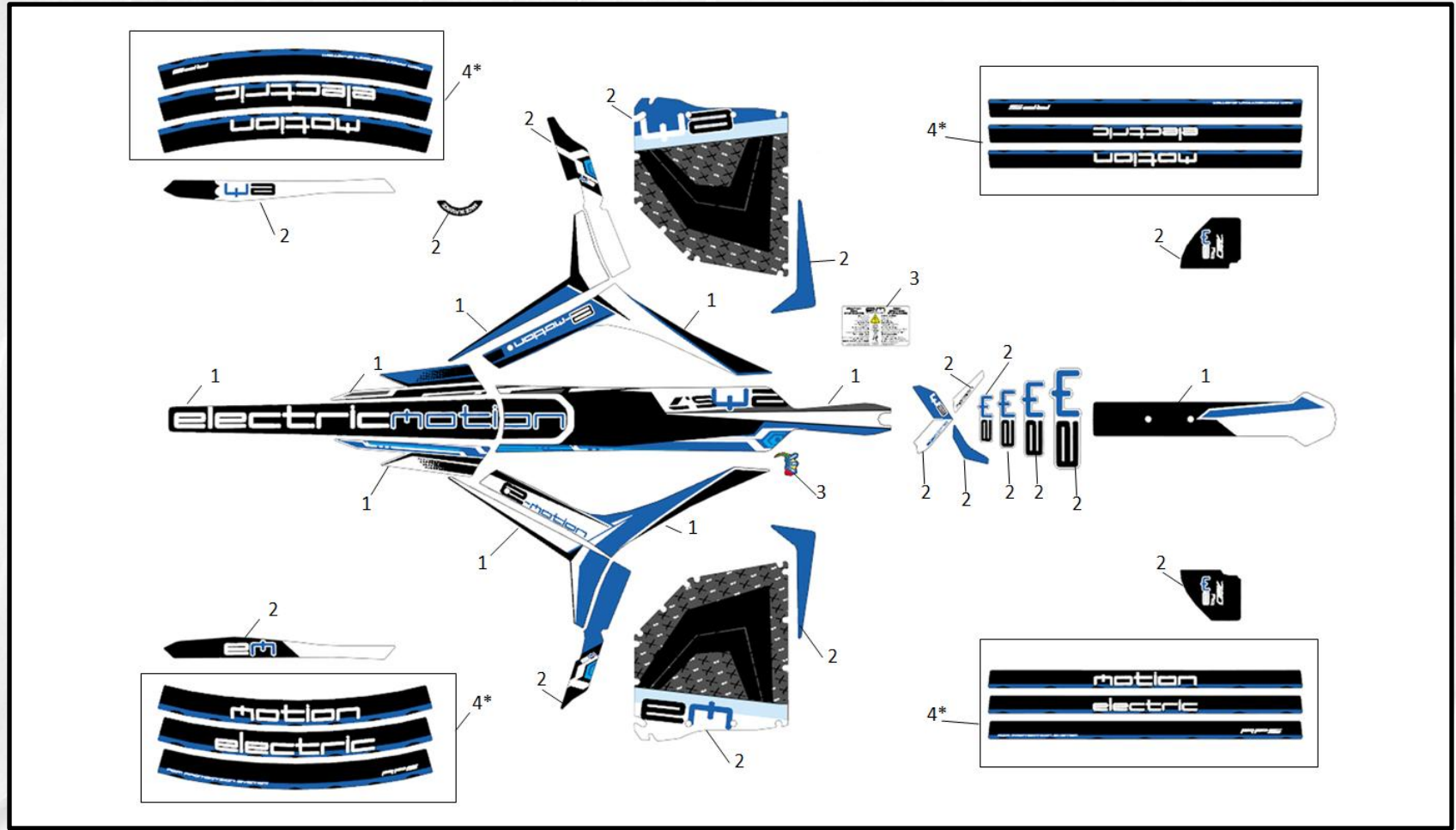
N°	REFERENCE	FRANCAIS	ENGLISH	QUANTITY
1	TL01K-60403-00-00	LEVIER ELS COMPLET	ELS LEVER ASSEMBLY	1
2	TL01K-60403-01-ASM	LEVIER ELS SEUL	ELS LEVER ONLY	1
3	TL01K-50311-00-00	BOITIER ELS	ELS BOX	1
4	TL01J-50313-00-00	MOLETTE COMMUTATEUR MAP	MAP SWITCH KNOB	1
5	0JT00-5H09E-00-00	JOINT TORIQUE	O'RING	1
6	0V040-05016-00-00	VIS BHC 5 X 16	SCREW BHC 5 X 16	1
7	0ECWE-05015-00-00	ECROU WELNUT M 5	RUBBER WELNUT M 5	1



N°	REFERENCE	FRANCAIS	ENGLISH	QUANTITY
1	TL01J-70104-00-00	PLAQUE AVANT EM	RACING FRONT HEAD EM	1
6	TL01J-70103-00-00	GARDE BOUE AVANT TRIAL	FRONT BLACK MUDGUARD	1
7	0V100-05012-00-00	VIS BHCE 5 X 12	SCREW BHCE 5 X 12	2
8	TL01J-20110-00-00	PONTET GARDE-BOUE AVANT	MUDGUARD HOLDER	1
9	0E06C-15010-00-00	ENTRETOISE PONTET	MUDGUARD HOLDER BUSHING	4
10	0V040-06020-00-00	VIS BHC M6 X 20	SCREW BHC M6 X 20	4
11	TL01J-70105-00-00	PROTEGE DISQUE AVANT NOIR	FRONT BLACK DISC PROTECTOR	1
12	0V010-08060-00-00	VIS CHC 8 X 60	SCREW CHC 8 X 60	1
13	0V010-08035-00-00	VIS CHC 8 X 35	SCREW CHC 8 X 35	1
14	TL01J-70203-00-00	PROTEGE BATTERIE AVANT	FRONT BATTERY PROTECTOR	1
15	TL01H-70101-00-00	CACHE AVANT PAIRE	LATERAL BATTERIE COVER SET	1
16	0V040-05016-00-00	VIS BHC 5 X 16	SCREW BHC 5 X 16	6
17	0V040-05010-00-00	VIS BHC 5X 10	SCREW BHC 5 X 10	4
18	0EC08-05000-00-00	ECROU NYLSTOP M 5	NUT NYLSTOP M 5	6
19	0SL01-11018-7E-00	SILENTBLOCK	SILENTBLOCK	7
20	0E06E-0906E-14-00	ENTRETOISE EPAULE	SPECIAL SPACER	3
21	0E06E-0906F-00-00	ENTRETOISE	SILENTBLOCK SPACER	4
22	TL01J-70201-00-00	CAPOT	COVER	1
23	TL01J-60311-00-00	PROTEGE POMPE FREIN ARRIERE	REAR PUMP PLASTIC PROTECTOR	1
24	TL01J-70302-00-00	GARDE BOUE ARRIERE	REAR MUDGUARD	1
25	0V100-06016-00-00	VIS BHCE 6 X 16	SCREW BHCE 6 X 16	2



N°	REFERENCE	FRANCAIS	ENGLISH	QUANTITY
26	0V100-06025-00-00	VIS BHCE 6 X 25	SCREW BHCE 6 X 25	1
27	TL01J-60301-00-00	PASSAGE DE ROUE	UNDERTRAY	1
28	0E06B-10010-00-00	ENTRETOISE PLASTIQUE NOIRE	BLACK PLASTIC SPACER	2
29	TL01J-60302-00-00	BAVETTE	RUBBER PROTECTOR	1
30	0RV01-3B008-00-N0	RIVET M 3 NOIR	BLACK RIVET M 3	3
31	0R001-3B009-0H-00	RONDELLE M 3	WASHER M 3	3
32	TL01H-70301-00-00	CACHE ARRIERE PAIRE	REAR COVER SET	1
33	0V040-05020-00-00	VIS BHC 5 X 20	SCREW BHC 5 X 20	4
34	TL01H-70202-00-00	CARTER TRANSMISSION	TRANSMISSION COVER	1
35	TL01J-60310-00-00	PROTECTION MOTEUR	ENGINE PROTECTOR	1
36	0R001-8D018-1E-00	RONDELLE M 8	WASHER M 8	2
37	0EC08-08000-00-00	ECROU NYLSTOP M 8	NUT NYLSTOP M 8	1
38	0V010-03010-00-00	VIS CHC 3 X 10	SCREW CHC 3 X 10	4
39	0V100-05016-00-00	VIS BHCE M5 X 16	SCREW BHCE M5 X 16	3
40	0R001-5C015-1C-00	RONDELLE M5 LARGE	M5 LARGE WASHER	4
41	0ECWE-05015-00-00	ECROU WELNUT M 5	RUBBER WELNUT M 5	2
42	0V040-06050-00-00	VIS BHC M6 X 50	SCREW BHC M6 X 50	1
43	0ET20-6C025-12-N0	TAMPON CAPOT	STOP CAPOT	1
44	0E030-06015-N0-00	ENTRETOISE M6 X 30	SPACER M6 X 30	1
45	0EC08-06000-00-00	ECROU NYLSTOP M6	ECROU NYLSTOP M6	1
46		CLOU TARAUDE	NAIL CLIP	2



N°	REFERENCE	FRANCAIS	ENGLISH	QUANTITY
1	TL01J-80101-00-00	JEU STICKERS BRILLANT EM	GLOSSY STICKERS SET	1
2	TL01J-80102-00-00	JEU STICKERS 3D EM	3D STICKERS SET EM	1
3	TL01J-80104-00-00	STICKERS INFORMATIONS	INFORMATION STICKER	1
4*	TL01J-80103-00-00	STICKERS ROUES	WHEEL STICKERS	1

* OPTION

* OPTIONAL

em
electricmotion



www.electric-motion.fr