

Spare  
Parts  
Catalogue

**Kinetic TFR (USA) - V2**

**KINETIC ENGINEERING LIMITED**

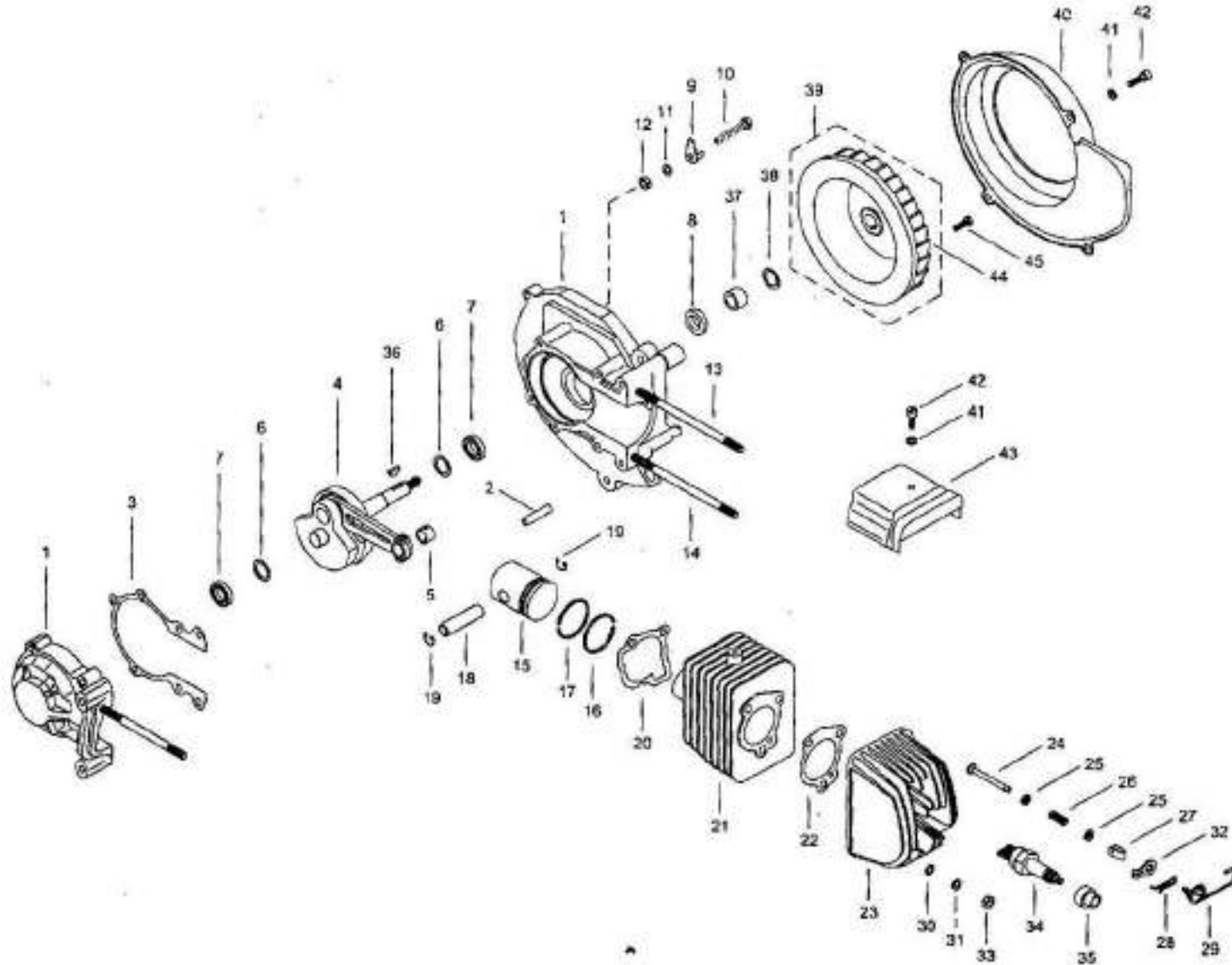
**KINETIC**  
**TFR (USA) -V<sub>2</sub>**  
**SPARE PARTS CATALOGUE**  
**INDEX**

SR. NO.	DESCRIPTION	PAGE NO.
1	Engine Assembly	1-2
2	Clutch Assembly	3-4
3	Gear Box Assembly	5-8
4	Carburettor Assembly	9-10
5	Top Chassis Assembly	11-14
6	Bottom Chassis Assembly	15-16
7	Front Suspension	17-18
8	Handle Bar Control	19-20
9	Front Wheel & Rear Wheel	21-22
10	Electrical Group	23-26

**KINETIC ENGINEERING LIMITED**

D-1 Block, Plot No. 18/2, Chinchwad, Pune - 411 019 (INDIA)

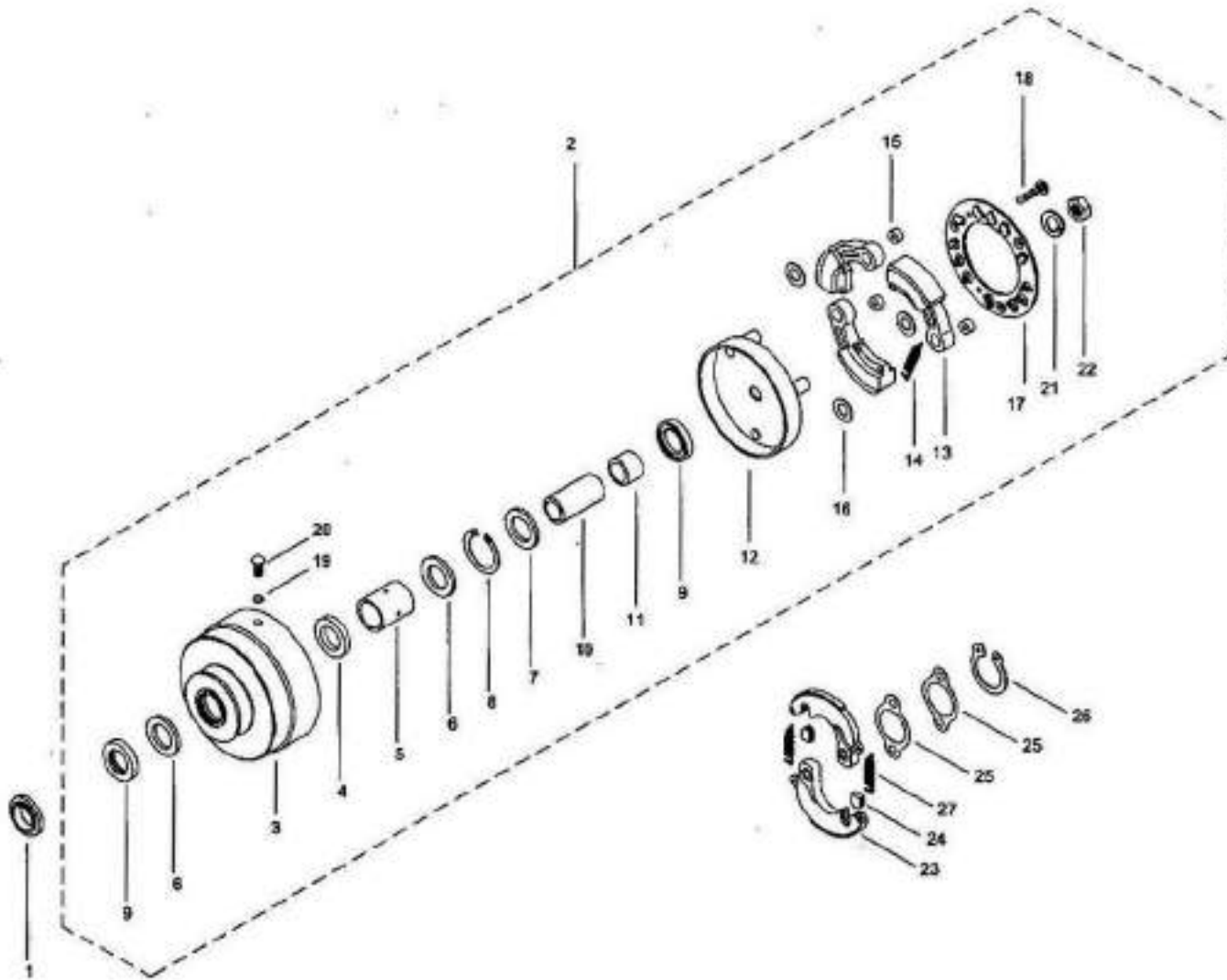
**Works : Ahmednagar**



## ENGINE ASSEMBLY

KINETIC - TFR (USA)

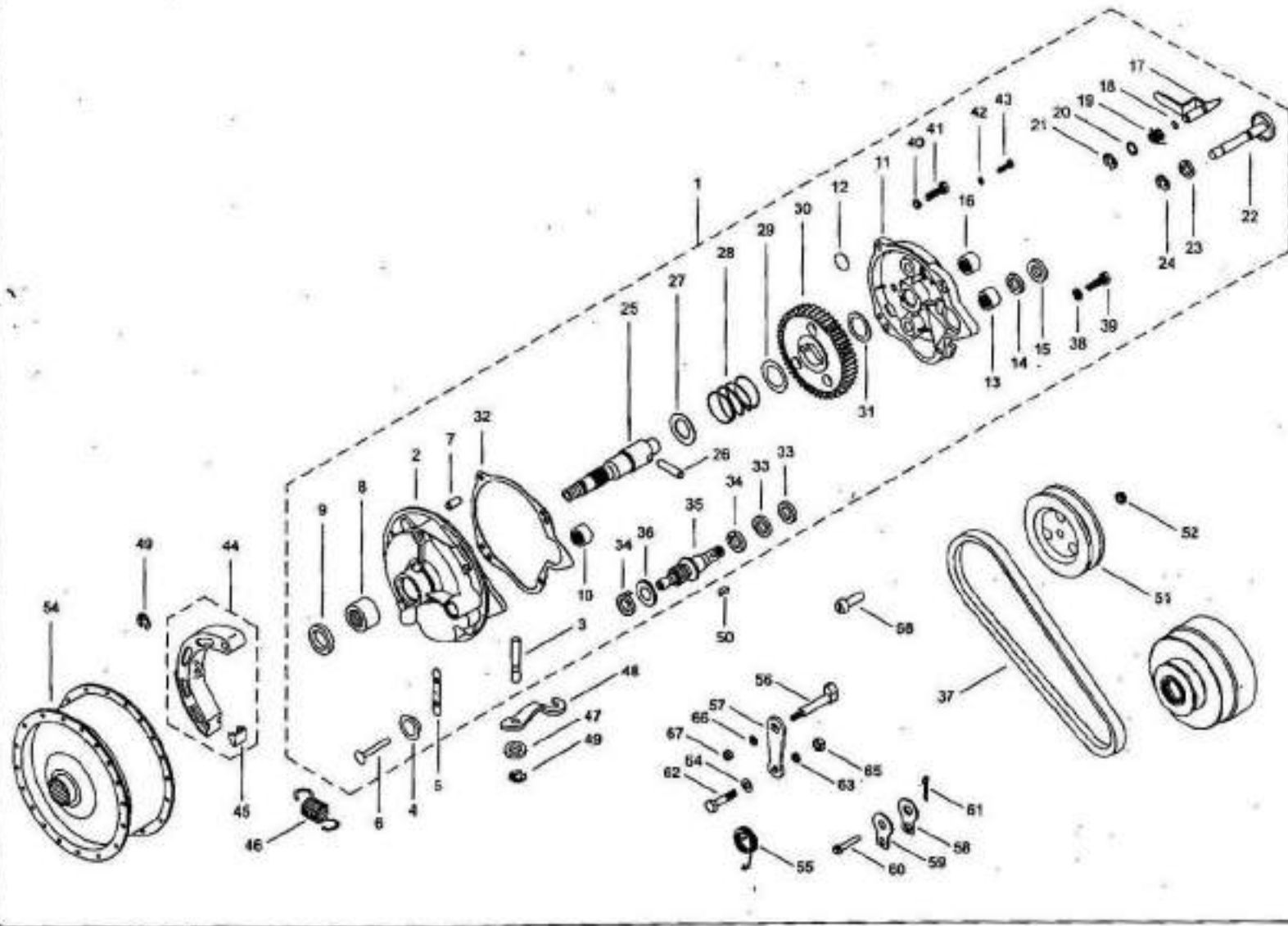
SR. NO.	PART NO.	PART DESCRIPTION	QTY	SR. NO.	PART NO.	PART DESCRIPTION	QTY
1	03006421	CRANK CASE ASSY (ELECTRONIC IGN)	1	23	03003246	CYLINDER HEAD (SPHERICAL CAVITY)	1
2	03040010	HOLLOW DOWEL	1	24	03004010	DECOMPRESSION VALVE	1
3	Q3017010	CRANK CASE GASKET	1	25	03144870	DECOMPRESSION VALVE SPRING CUP	2
4	03408400	CRANK SHAFT ASSY (W/O BRG)	1	26	03191050	DECOMPRESSION VALVE SPRING	1
5	03054010	BRONZE RING CONNT. ROD SMALL END	1	27	03158010	CLIP	1
6	03144020	WASHER	2	28	95802001	SPLIT PIN 2 x 12	1
7	96615001	D.G. BALL BEARING SKF 6202 C3 15 x 35 x 11	2	29	15192370	TORSION SPRING FOR DECOMPRESSION VALVE	1
8	97014901	OIL SEAL 14.9 x 24 x 5	1	30	93707601	PUNCHED WASHER B7.6	3
9	03100010	MALE TERMINAL	1	31	94307001	BELLEVILLE SPRING WASHER A7 DIN 137	3
10	03159310	HEX BOLT M6 x 38 P8.8 (CRANK CASE)	5	32	03066010	PLATE DECOMPRESSOR	1
11	94306001	BELLEVILLE SPRING WASHER A6	5	33	92607001	HEX NUT M7	4
12	92606001	HEX NUT M6	5	34	03305080	SPARK PLUG WR7AC	1
13	07038170	STUD FOR CYL. HEAD (LONG)	2	34	03036570	SPARK PLUG	1
14	03038020	STUD FOR CYL. HEAD (LONG)	1	35	16189210	GROMMET	1
15	13471240	PISTON STD (GROUP "AO")	1	36	18115180	WOODRUFF KEY (MACHINED)	1
15	13471260	PISTON STD (GROUP "BO")	1	37	13313250	SPACER NYLON - 6	1
15	13471280	PISTON STD (GROUP "CO")	1	38	03144030	CURVED SPRING WASHER	1
15	13471300	PISTON STD (GROUP "DO")	1	39	13022430	MAGNETO ROTOR WITH FAN (SHEET METAL)	1
15	13471320	PISTON STD (GROUP "EO")	1	40	15047200	FAN COVER WITHOUT GRILL	1
15	13471340	PISTON STD (GROUP "FO")	1	41	93705501	PUNCHED WASHER A5.5	5
16	13010940	PISTON RING STD (CHROM PLATED, WEDGE TYPE)	2	42	90405001	CH HD SCR M5 x 14	5
17	13010960	EXPANDER RING	1	43	03047690	AIR DEFLECTOR - POWDER COATED - BLACK	1
18	03011010	GUDGEON PIN	1	44	33047620	FAN (FOR MAGNETO ROTOR)	1
19	03141010	CIRCLIP	2	45	90605002	SLTD RCS CSK HD SCR M5 x 10	4
20	03017020	GASKET (CYL BLOCK & CRANK CASE)	1	46	03050190	ENGINE OVER HAULING KIT	1
21	13305540	CYLINDER BLOCK (GROUP "AO")	1	47	03050260	KIT FOR DECOMPRESSION	1
21	13305550	CYLINDER BLOCK (GROUP "BO")	1	48	03050500	CYLINDER BLOCK WITH PISTON	1
21	13305560	CYLINDER BLOCK (GROUP "CO")	1	49	03602160	ENGINE ASSEMBLY (USA) - TFR(V2)	1
21	13305570	CYLINDER BLOCK (GROUP "DO")	1				
21	13305580	CYLINDER BLOCK (GROUP "EO")	1				
21	13305590	CYLINDER BLOCK (GROUP "FO")	1				
22	03017030	GASKET (CYL. HEAD - CYL. BLOCK)	1				



## CLUTCH ASSEMBLY

KINETIC - TFR (USA)

SR. NO.	PART NO.	PART DESCRIPTION	QTY	SR. NO.	PART NO.	PART DESCRIPTION	QTY
1	03144240	SPACER FOR MAGNETO & CLUTCH(ID 16.2 x OD 23.8)	1				
2	13277680	CLUTCH ASSEMBLY FELT TYPE (BIGGER DIA.)	1				
3	13327050	DRIVE PULLEY ASSY. WITH SINT BUSH (FELT TYPE)	1				
4	13136040	FELT RING	1				
5	13254570	SINTERED BRONZE BUSH	1				
6	03413080	SPACER 16.2 x 21.4 x 0.6	2				
7	03413090	WASHER 12.0 x 21.0 x 1.2	1				
8	85602201	'V' RING 22 DIN - 5008	1				
9	97016003	OIL SEAL	2				
10	13254480	PULLEY RING (LONG) (CASE CARBORISED)	1				
11	03254560	PULLEY RING (SHORT) (CASE CARBORISED)	1				
12	31404027	CLUTCH HOLDER PLATE ASSEMBLY	1				
13	13229270	CLUTCH DRIVE WEIGHT ASSEMBLY	1SET				
14	13190360	SPRING FOR CLUTCH WEIGHT	3				
15	18108810	PAD FOR CLUTCH WEIGHT (EPDM)	3				
16	05194230	WASHER (DRIVE WEIGHT)	3				
17	13304360	SUPPORT PLATE WITH PINS	1				
18	18358550	COUNTER SUNK HEX SOCKET HEAD SCREW	3				
19	13223250	'O' RING	1				
20	18358550	COUNTER SUNK HEX SOCKET HEAD SCREW	1				
21	93908001	SPRING WASHER B8	1				
22	03188080	NUT FOR CLUTCH M8	1				
23	13029860	STARTER WEIGHT ASSEMBLY	1				
24	03106250	PAD FOR STARTER WEIGHT	2				
25	13204790	PUSH RING	2				
26	95426001	CIRCLIP LIGHT	1				
27	05190100	SPRING (STARTER WEIGHT)	2				





## GEAR BOX ASSEMBLY

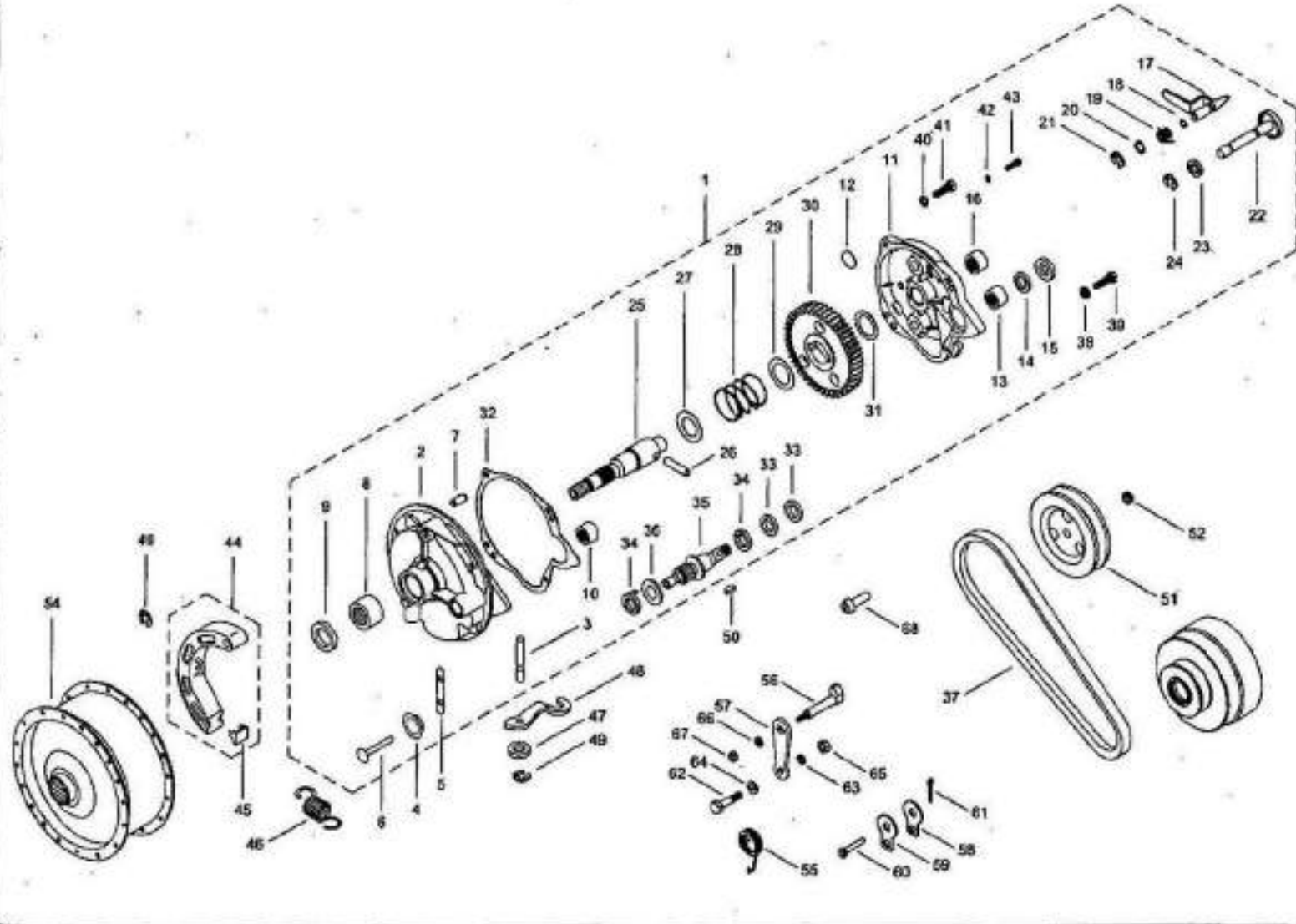
KINETIC - TFR (USA)

Sr. NO.	PART NO.	PART DESCRIPTION	QTY	Sr. NO.	PART NO.	PART DESCRIPTION	QTY
1	03212900	GEAR BOX ASSYCOMP. - TFR CAM OPERATED	1	33	03144960	SHIM FOR PINION LIPPED WASHER	2
2	03212910	GEAR BOX HSG. ASSY. (CAM OPERATING)	1	34	33413970	LIPPED WASHER (I.D. 19.0)	2
3	03035420	ANCHOR PIN FOR REAR BRAKE SHOE	1	35	03016570	PINION HELICAL	1
4	03083290	CUP (FOR REAR BREAK SHOE)	1	36	07198890	SPACER FOR PINION	1
5	03066050	PLATE FOR R.B. SHOE SPRING	1	37	03042110	COGGED 'V' BELT (10.3 x 6.5)	1
6	94703001	SNAP HEAD RIVET 3 x 18 GR. 18	1	37	03042040	COGGED 'V' BELT	1
7	03040020	DOWEL GEAR BOX	2	38	03144360	FIBRE WASHER DRAIN	1
8	96720001	NEEDLE ROLLER BEARING (20 x 26 x 12)	1	39	15065030	OIL PLUG M8 x 8 (FOR GEAR BOX)	1
9	97020001	OIL SEAL 20 x 30 x 5	1	40	94306001	BELLEVILLE SPRING WASHER A6	4
10	96709002	NEEDLE ROLLER BEARING (9 x 13 x 12)	1	41	90106016	HEX SCR M6 x 25	4
11	03212770	GEAR BOX COVER ASSY (CAM OPERATING)	1	42	93904001	SPRING WASHER A4	1
12	03047090	DEFLECTOR DISC	1	43	90404001	CH HD SCR M4 x 18	1
13	96717001	NEEDLE ROLLER BEARING (17 x 23 x 12)	1	44	15128306	REAR BREAK SHOE ASSEMBLY	1
14	03144350	SPACER FOR OIL SEAL & BEARING	1	45	03066740	HEEL PLATE FOR REAR BREAK SHOE (STD)	1
15	97013001	OIL SEAL (13 x 23 x 4)	1	46	03190030	TENSION SPRING FOR REAR BREAK SHOE	1
16	96715001	NEEDLE ROLLER BEARING (15 x 21 x 12)	1	47	03198610	WASHER FOR BREAK LEVER (OLD MODEL)	1
17	06032170	CRANK LEVER ASSEMBLY	1	48	03032430	REAR BREAK LEVER GEAR BOX (OLD MODEL)	1
18	03151010	'O' RING	1	49	95505001	CIRCLIP C5 (OLD MODEL)	2
19	03192030	TORSION SPRING	1	50	03115020	WOODRUFF KEY	1
20	03144280	WASHER FOR CRANKED LEVER PIN	1	51	03135010	BELT PULLEY	1
21	95505001	CIRCLIP C5	1	52	03166090	NUT FOR BELT PULLY	1
22	03172310	FORK SHAFT ASSEMBLY	1	53	03050230	GEAR BOX OVER HAULING KIT	1
23	03151010	'O' RING	1	54	03118310	REAR BREAK DRUM ASSEMBLY (OD GUIDED)	1
24	95505001	CIRCLIP	1	55	03192700	TORSION SPRING (FOR R.B. LEVER CAM OPER.)	1
25	03119140	REAR AXLE ASSEMBLY (OD GUIDED)	1	56	33332270	R.B. CAM M/C (HOT FORGED)	1
26	03035080	PIN FOR GEAR	1	57	33332280	BRAKE LEVER ASSEMBLY REAR (CAM OPERATING)	1
27	03144290	WASHER (20.2 x 30 x 1)	1	58	33041370	BOTTOM LINK - R.B. LEVER	1
28	03191080	COMPRESSION SPRING FOR GEAR	1	59	33041360	TOP LINK - R.B. LEVER	1
29	03144300	SPACER FOR REAR AXLE GEAR SIDE	1	60	33307360	PIVOT PIN - R.B. LEVER	1
30	03014010	HELICAL GEAR	1	61	95801601	SPLIT PIN 1.6 x 8	1
31	03144310	PLAIN WASHER (15.2 x 28 x 1)	1	62	33559050	HEX BOLT - R.B. LEVER	1
32	03417060	GASKET FOR GEAR BOX) - CAM OPERATING	1	63	93906002	SPRING WASHER B6	1



GEAR BOX ASSEMBLY

KINETIC - TFR (USA)



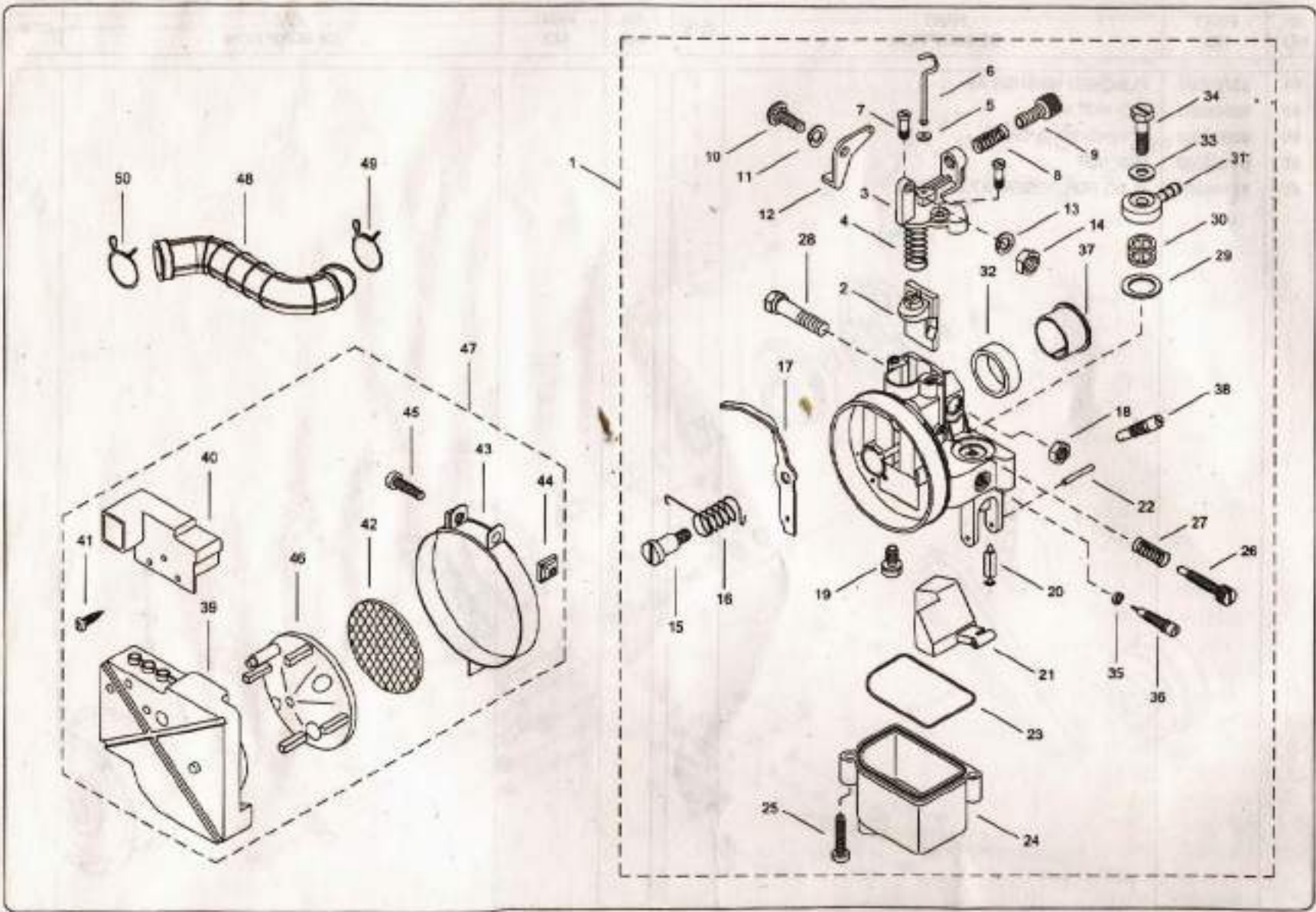
**GEAR BOX ASSEMBLY**

**KINETIC - TFR (USA)**

SR. NO.	PART NO.	PART DESCRIPTION	QTY	SR. NO.	PART NO.	PART DESCRIPTION	QTY
64	93709001	PUNCHED WASHER A9	1				
65	92608005	HEX NUT M8	1				
66	93906002	SPRING WASHER B6	1				
67	04168040	HEX NUT	1				
68	15108660	PLUG FOR OBSERVATION HOLE	1				

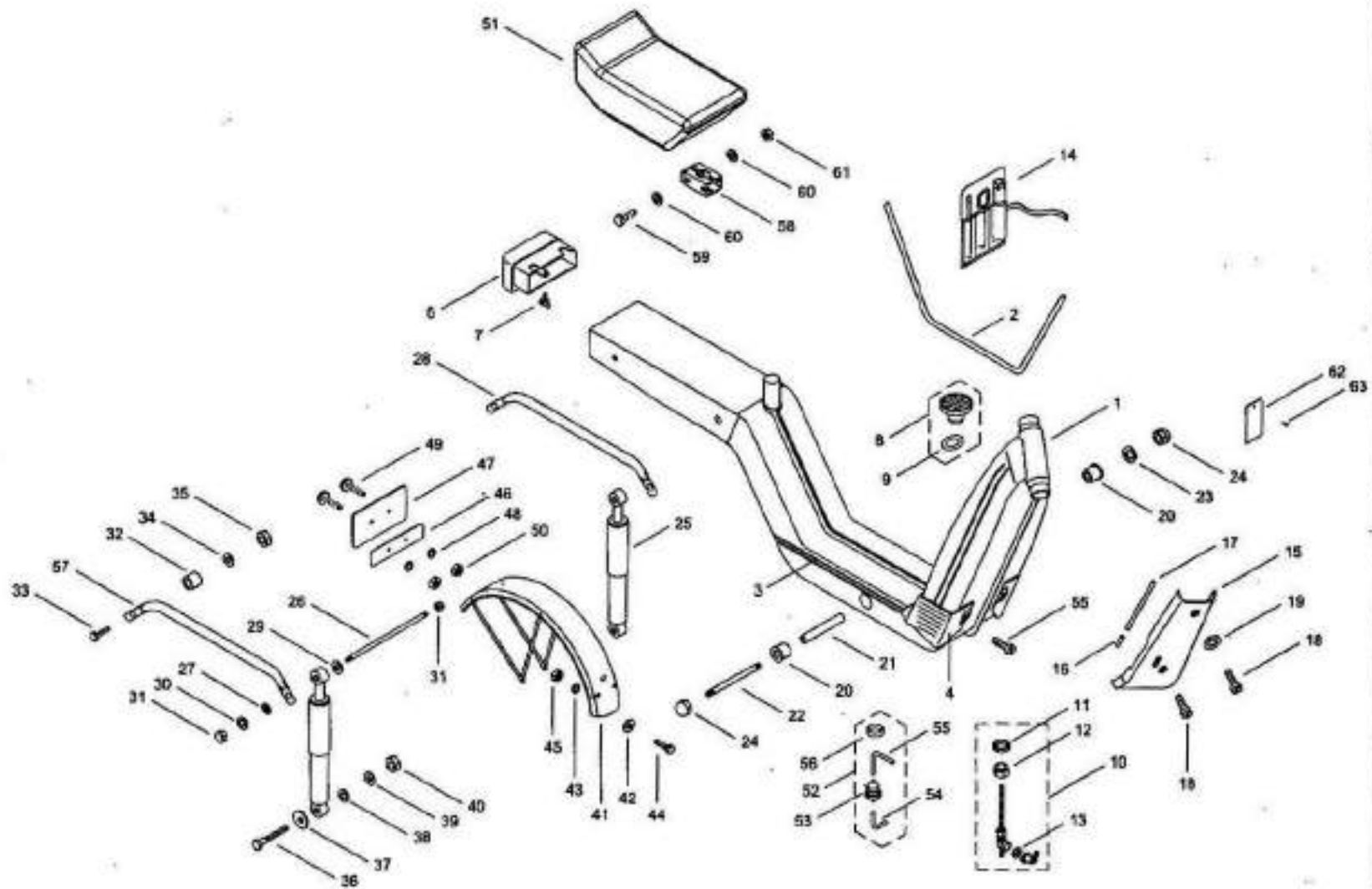
CARBURETTOR ASSEMBLY

KINETIC - TFR (USA)



**CARBURETTOR ASSEMBLY**
**KINETIC - TFR (USA)**

SR. NO.	PART NO.	PART DESCRIPTION	QTY	SR. NO.	PART NO.	PART DESCRIPTION	QTY
1	03423350	CARBURETTOR (SPACO 1210 J) P 3607	1	33	03194490	WASHER	1
2	03018080	THROTTLE SLIDE	1	34	03159390	SCREW	1
3	13223560	THROTTLE SLIDE COVER ASSY.	1	35	04199420	'O' RING	1
4	03191280	SPRING	1	36	13223550	MIXTURE CONTROLLER	1
5	03194450	WASHER	1	37	13223240	SEALING RING	1
6	03018110	PULL ROD	1	38	13199610	PILOT JET NO.30	1
7	03159370	SCREW	2	39	03019760	AIR FILTER BODY WITH RETAINER	1
8	03191290	SPRING	1	40	03319790	DUCT AIR INTAKE	1
9	03159410	ADJUSTER	1	41	91504001	TAPPING SCR A84 x 6.5	5
10	03016160	SPINDLE	1	42	03020010	AIR FILTER ELEMENT	1
11	03194460	SPRING WASHER	1	43	13061440	CLAMP WITH STOPPER ZN PLATED (FOR AIR FILTER)	1
12	03018100	THROTTLE LEVER	1	44	03168340	SQUARE NUT (ZINC PLATED)	1
13	03194470	SPRING WASHER	1	45	90405001	CH HD SCR M5 x 14	1
14	03168280	NUT	1	46	03019070	AIR CLEANER RETAINER	1
15	03016170	SPINDLE	1	47	03519240	AIR FILTER ASSEMBLY (KIT)	1
16	03192100	SPRING FOR STARTER LEVER	1	48	03695260	BELLOW (FOR AIR FILTER & TOP CHASSIS)	1
17	03332430	CHOKE OPERATING LEVER	1	49	03356410	WIRE CLIP (FOR AIR FILTER END)	1
18	03168290	NUT	1	50	04156260	WIRE CLIP (FOR MICARB CARBURETTOR)	1
19	13223220	MAIN JET NO.40	1				
20	03018130	PETROL STOP NEEDLE	1				
21	13223280	FLOAT	1				
22	03018150	TOGGLE PIN	1				
23	03151060	'O' RING	1				
24	03018160	FLOAT CHAMBER	1				
25	03159400	SCREW	2				
26	03018180	SLOW RUNNING SCREW	1				
27	03191300	SPRING - SLOW RUNNIG	1				
28	03159380	SCREW	1				
29	03194480	WASHER	1				
30	03020030	FILTER (CARBURETTOR SPACO)	1				
31	03018170	BANJO UNION	1				
32	13223230	ADAPTER	1				

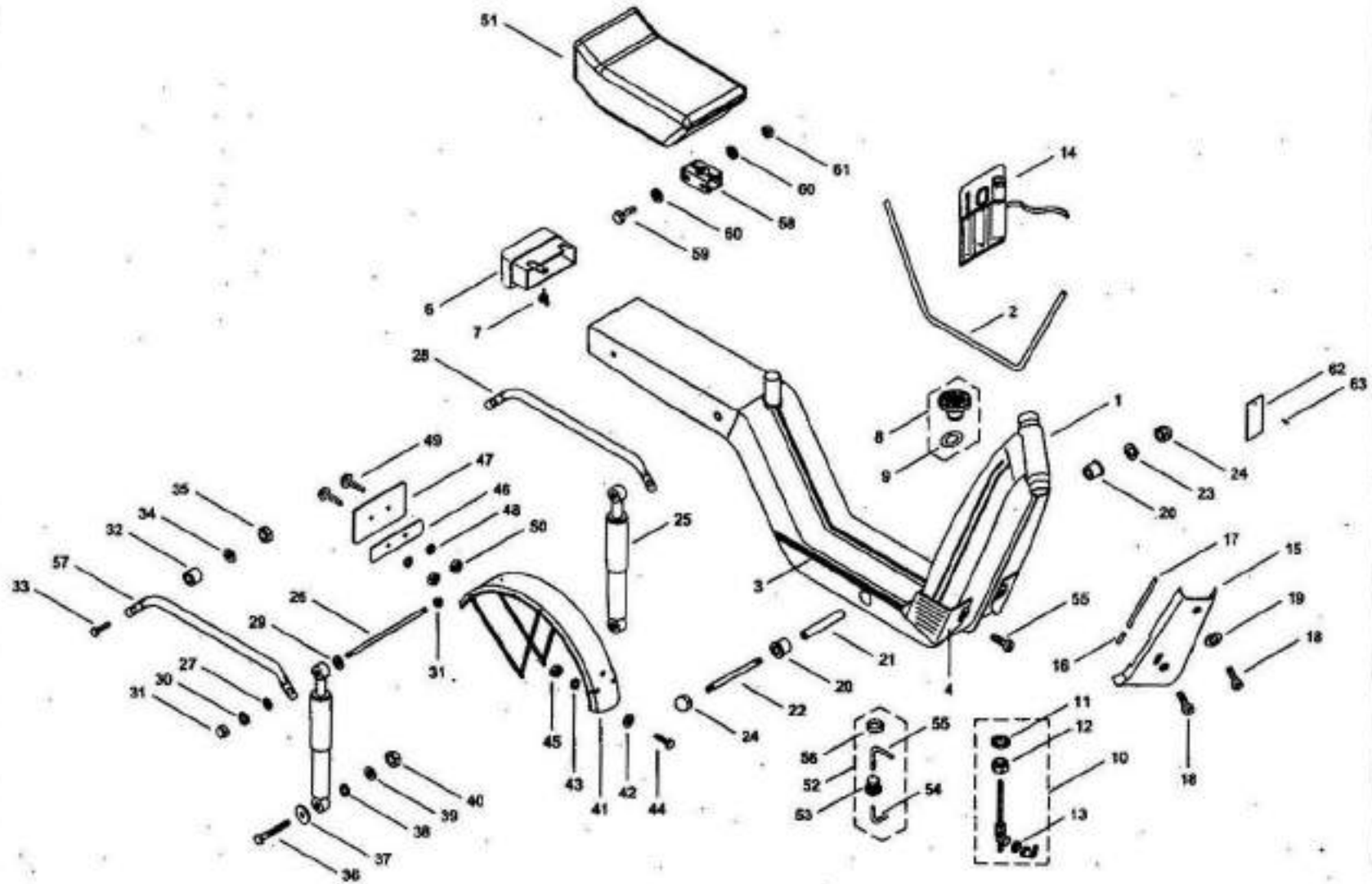




## TOP CHASSIS ASSEMBLY

KINETIC - TFR (USA)

SR. NO.	PART NO.	PART DESCRIPTION	QTY	SR. NO.	PART NO.	PART DESCRIPTION	QTY
1	03648040	TOP CHASSIS ASSY (WINE RED)	1	32	03185100	SPACER TUBE FOR GRAB RAIL	2
2	03099010	BEADING	1	33	90206010	HEX BOLT M6 x 40	2
3	03597760	STICKER SET	1	34	93906002	SPRING WASHER B8	2
4	03105220	JOINT COVER (WITH INSERT)	1	35	92806002	HEX NUT M6	2
5	90404009	CH HD SCREW M4 x 14	2	36	90208001	HEX BOLT M8 x 50	2
6	03051110	TOOL BOX LID "KINETIC"	1	37	03144170	SPACER FOR INNER TUBE & TOP PLATE	2
7	06159290	WING SCREW FOR TOOL BOX LID	1	38	93709001	PUNCHED WASHER A9	2
8	33167490	FUEL TANK CAP WITH 'O' RING	1	39	93908001	SPRING WASHER A8	2
9	15151080	'O' RING FOR FUEL TANK CAP	1	40	92808005	HEX NUT M8	2
10	03085730	FUEL COCK ASSEMBLY	1	41	03468520	REAR MUDGUARD ASSEMBLY (CHROME PLATED)	1
11	03194700	FIBRE WASHER (FUEL COCK)	1	42	93706601	PUNCHED WASHER A6.6	2
12	03168580	FIXING NUT - FUEL COCK	1	43	93906002	SPRING WASHER B6	2
13	03144060	NITRILE WASHER FOR FUEL COCK	1	44	90106006	HEX SCR M6 x 14	2
14	13050080	TOOL KIT	1	45	92806002	HEX NUT M6	2
15	13529190	HARNESS COVER FOR JOINT COVER (BLACK)	1	46	03066070	STRIP FOR NUMBER PLATE	1
16	15099030	BEADING FOR HARNESS COVER (SHORT)	2	47	16148080	NUMBER PLATE	1
17	15099040	BEADING FOR HARNESS COVER (LONG)	2	48	93706601	PUNCHED WASHER A6.6	2
18	90106044	HEX SCREW M6 x 12	2	49	90106001	HEX SCR M6 x 10	2
19	93906002	SPRING WASHER B6	2	50	92806002	HEX NUT M6	2
20	03158010	SILENT BLOCK	2	51	15072480	SADDLE ASSEMBLY (MAGNUM - MOTRON)	1
21	03185090	INNER SPACER FOR JOINT PIVOT	1	52	13020420	FUEL FILTER WITH RUBBER TUBES	1
22	03038070	FRONT PIVOT STUD	1	53	13020410	FUEL FILTER WITH NYLON ELEMENTS	1
23	93912001	SPRING WASHER B12	2	54	04098580	FUEL TUBE (4.5 x 8.5 x 55L)	1
24	03168020	CROWN NUT - FRONT PIVOT	2	55	16098340	FUEL TUBE ((4.5 x 8.5 x 400L)	1
25	03076810	SHOCK ABSORBER (SMALL TUBE) (BLACK)	2	56	03151140	'O' RING	4
26	03038110	PIVOT PIN FOR REAR SHOCK ABSORBER	1	57	03075560	GRABRAIL WITH SI BRACKET RH	1
27	03144130	SPACER (REAR SHOCK ABSORBER)	2	57	03075010	GRABRAIL (NON SI TYPE)	1
28	03075570	GRABRAIL WITH SI BRACKET LH	1	58	07062540	CLAMP FOR SADDLE	1
28	03075010	GRABRAIL (NON SI TYPE)	1	59	90206002	HEX BOLT M8 x 60	2
29	03144170	SPACER FOR INNER TUBE & TOP PLATE	2	60	03144170	PUNCHED WASHER A9	1
30	93908001	SPRING WASHER B8	2	61	92808005	HEX NUT M8	1
31	93608001	DOMED CAP NUT M8	2	62	03097520	CERTIFICATION PLATE	1





**TOP CHASSIS ASSEMBLY**

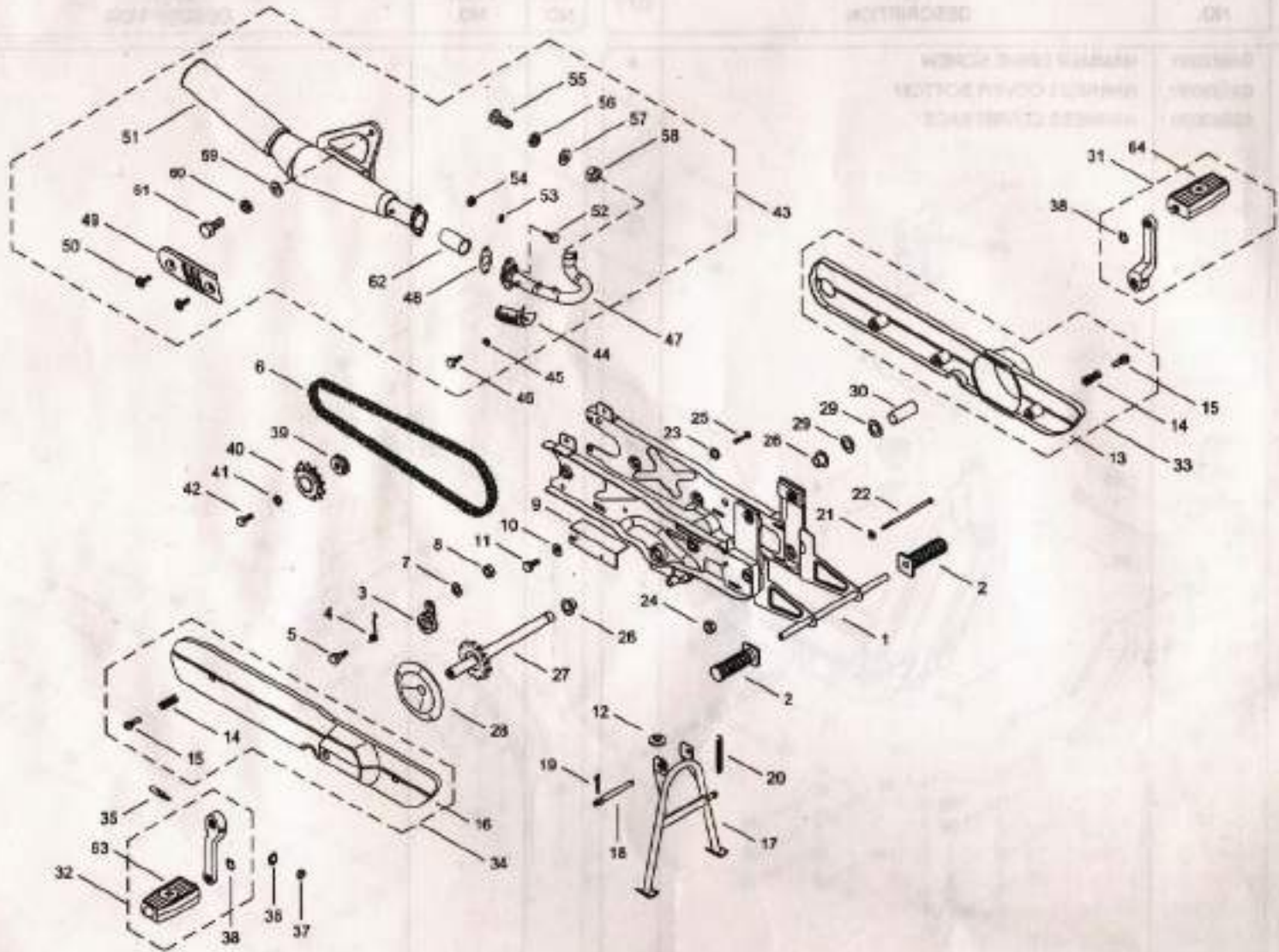
**KINETIC - TFR (USA)**

SR. NO.	PART NO.	PART DESCRIPTION	QTY
63	92002001	HAMMER DRIVE SCREW	4
64	03129990	HARNESS COVER BOTTOM	1
65	03063020	HARNESS COVER BACK	1

SR. NO.	PART NO.	PART DESCRIPTION	QTY

**BOTTOM CHASSIS ASSEMBLY**

**KINETIC - TFR (USA)**

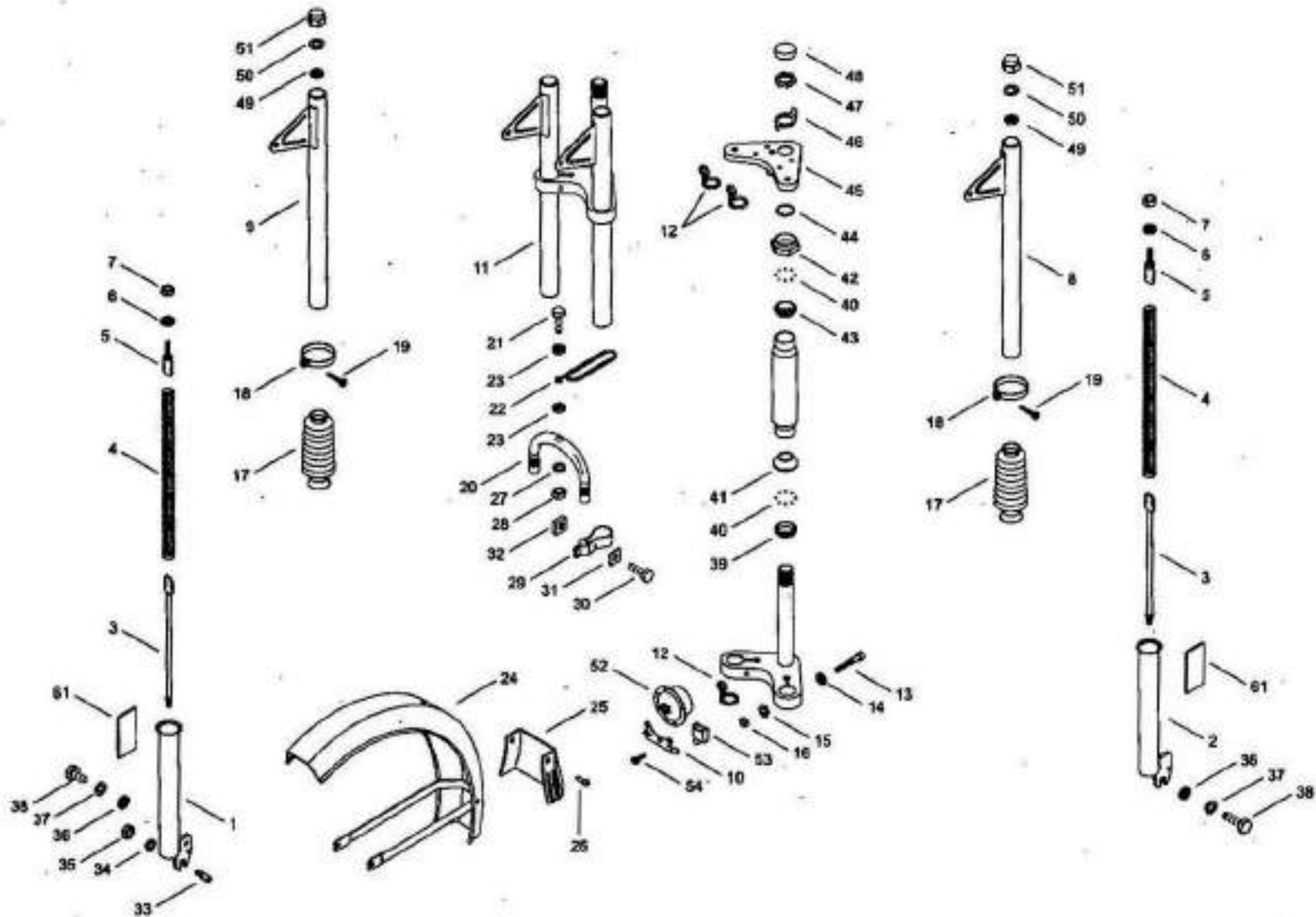


**BOTTOM CHASSIS ASSEMBLY**
**KINETIC - TFR (USA)**

SR. NO.	PART NO.	PART DESCRIPTION	QTY	SR. NO.	PART NO.	PART DESCRIPTION	QTY
1	03217880	BOTTOM CHASSIS ASSY.	1	33	03263560	LH FRAME COVER WITH FASTNER (TFR UPGRADED)	1
2	03082060	RUBBER GRIP-FOOT REST	2	34	03263570	RH FRAME COVER WITH FASTNER (TFR UPGRADED)	1
3	13145230	CHAIN TENSIONER ASSY. ( DISC TYPE )	1	35	03307880	COTTER PIN	2
4	04192050	TORSION SPRING FOR CLUTH LEVER	1	36	93707601	PUNCHED WASHER B7.6	2
5	08035680	PIVOT BOLT ( CHAIN TENSIONER )	1	37	92607001	HEX NUT M7	2
6	03041380	ROLLER CHAIN 1/2" x 1/8" - 70 LINKS	1	38	95412001	CIRCLIP	2
7	93709001	PUNCHED WASHER A9	1	39	03054630	FREE WHEEL SLEEVE	1
8	92608005	HEX NUT M8	1	40	03039030	FREE WHEEL ( 18 T )	1
9	03729790	ENGINE COVER	1	41	93910001	SPRING WASHER A10	4
10	93706601	PUNCHED WASHER A6.6	2	42	90110001	HEX SCR M10 x 16	4
11	90106001	HEX SCR M6 x 10	2	43	03644050	SIL. ASSY COMP. CATCON TYPE (W/O CATCON)	1
12	05108240	PAO	1	44	38344820	HEAT SHIELD INLET TUBE	1
13	03283440	L.H. FRAME COVER (TFR UPGRADED)	1	45	93906007	SPRING WASHER B8	2
14	03191020	COMP. SPRING FOR FASTENER	5	46	30459280	WASHER (M6 x 10)	2
15	03067030	FASTNER	5	47	03543270	INLET TUBE ASSEMBLY	1
16	03263450	R.H. FRAME COVER (TFR UPGRADED)	1	48	13317580	GASKET FOR CAT CONVERTOR	1
17	03370180	STAND ASSY.	1	49	15157830	HEAT SHIELD (CAT. CONVERTOR)	1
18	03035880	STAND PIN ASSY.	1	50	30459280	SCREW WASHER (M6 x 10)	2
19	95803201	SPLIT PIN 3.2 x 22	1	51	03444660	SILENCER ASSEMBLY WITH BAFFLE	1
20	04190060	TENSION SPRING FOR STAND	1	52	90106016	HEX SCREW M6 x 25	2
21	13213170	CUT WASHER FOR ENGINE MOUNTING	5	53	93906002	SPRING WASHER B6	2
22	03159320	HEX BOLT FOR ENGINE MOUNTING M6 x 125	2	54	92606001	HEX NUT M6	2
23	93908001	SPRING WASHER	1	55	20065500	MUSHROOM HEAD SQUIRE NECK BOLT M6 x 30	1
24	04150020	NYLOCK NUT M6	2	56	93906002	SPRING WASHER B6	1
25	90106083	HEX SCREW M6 x 25	1	57	93706601	PUNCHED WASHER A6	1
26	03354500	CRANK BUSH	2	58	92606001	HEX NUT M6	1
27	03416240	CRANK SPINDLE ASSY.	1	59	33313990	CUT WASHER	1
28	03186020	CHAIN COVER (OLD MODEL)	1	60	93906001	SPRING WASHER B8	1
29	03613240	WASHER FOR CRANK SPINDLE	2	61	90106005	HEX SCREW M8 x 20	1
30	03285340	SPACER FOR CRANK SPINDLE	1	62	13225090	CAT CON DIA 33 x 60 DULY FLANGED (FOR INDIA)	1
31	03153250	PEDAL WITH CRANK L.H. SIDE CIRCLIP TYPE	1	63	03153270	PEDAL RH	1
32	03153240	PEDAL WITH CRANK R.H. SIDE CIRCLIP TYPE	1	64	03153260	PEDAL LH	1

FRONT SUSPENSION ASSEMBLY

KINETIC - TFR (USA)

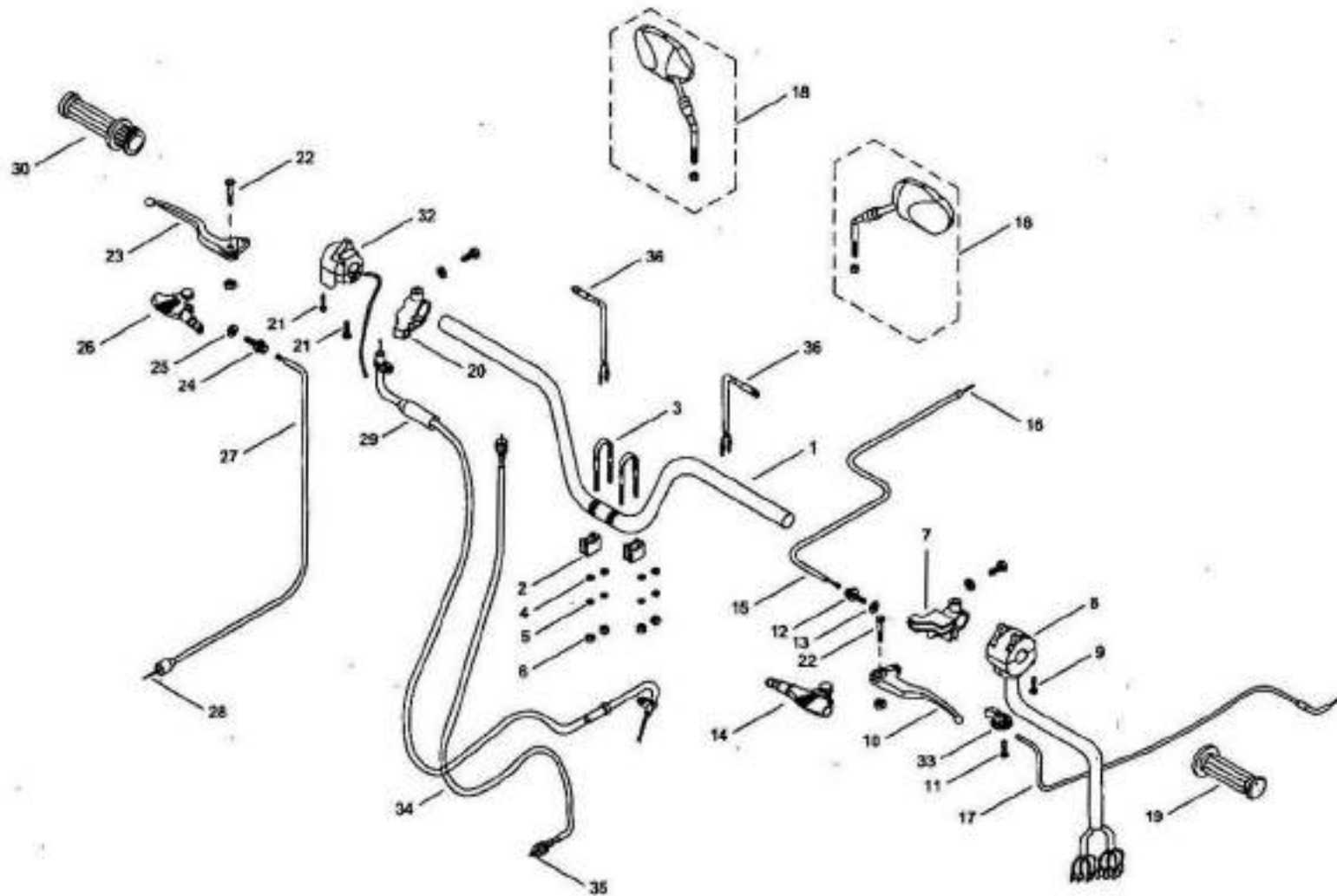


## FRONT SUSPENSION ASSEMBLY

KINETIC - TFR (USA)

SR. NO.	PART NO.	PART DESCRIPTION	QTY	SR. NO.	PART NO.	PART DESCRIPTION	QTY
1	03188660	R.H. OUTER BODY ASSY. (CHROME PLATED)	1	33	04035250	PIN ( BRAKE PLATE HOLDING )	1
2	03188650	L.H. OUTER BODY ASSY. (CHROME PLATED)	1	34	93908001	SPRING WASHER B6	1
3	13089110	BOTTOM SPRING HOLDER ASSY.	2	35	92608005	HEX NUT M8	1
4	03191030	COMP. SPRING - FRONT FORK	2	36	93706601	PUNCHED WASHER A6.6	2
5	15089300	TOP SPRING HOLDER ASSY. COMPLETE	2	37	93906002	SPRING WASHER B6	2
6	93709001	PUNCHED WASHER A9	6	38	90106001	HEX SCREW M5 x 10	2
7	03168350	HEX NUT M8	2	39	03109010	LOWER INEER RACE FOR STEERING	1
8	03488780	INNER TUBE ASSY. L.H.	1	40	96503901	SLEEL BALL DIA 3.96 ( 5/32")	52
9	03488790	INNER TUBE ASSY. R.H.	1	41	03109020	LOWER OUTER RACE FOR STEERING	1
10	03163480	HORN BRACKET	1	42	04109110	UPPER OUTER RACE	1
11	03788140	GUIDE ASSY. (SIDE INDL TYPE) (WINE RED)	1	43	03109030	UPPER INNER RACE FOR STEERING	1
12	13155140	WIRE CLIP	3	44	03144170	SPACER FOR UPPER OUTER RACE AND TOP PLATE	2
13	90105004	HEX SCR M5 x 14	1	45	03292230	HANDLE BAR BASE PLATE SUB ASSY. (WINE RED)	1
14	93705501	PUNCHED WASHER A5.5	2	46	04194720	LOCK WASHER ( ZINC PLATED )	1
15	93905001	SPRING WASHER B5	1	47	13210600	NUT ( FOR STERING TUBE )	1
16	92605001	HEX NUT M5	1	48	13083560	CAP ( FOR NUT - STEERING TUBE )	1
17	03095080	BELLOW FOR FRONT FORK	2	49	03144170	SPACER FOR INNER TUBE AND TOP PLATE	2
18	03061490	CLAMP FOR BELLOW	2	50	93908001	SPRING WASHER A8	2
19	90403001	CH. HD SCR M3 x12	2	51	03168500	DOMED CAP NUT FOR FRONT FORK	2
20	03060200	U BRACKET	1	52	03113020	HORN ASSY.	1
21	90208007	HEX BOLT M6 x 30	1	53	03108150	RUBBER GROMMET	1
22	03155030	WIRE CLIP	1	54	90404002	CH. HD SCR M4 x 8	3
23	93706601	PUNCHED WASHER A6.6	2	55	03057060	LOCK HSG. ASSY.	1
24	16068630	FRONT MUDGUARD ASSY. ( CHROME PLATED )	1	56	03067020	LOCK PIN	1
25	03107010	MUD FLAP	1	57	03067010	LOCK WITH KEY	1
26	04052010	MUD FLAP LUG	3	58	13083580	CAP FOR LOCK HSG	1
27	93906002	SPRING WASHER B6	1	59	92002001	HAMMER DRIVE SCR NO. 2 x 4.8	1
28	92606002	HEX NUT M6	1	60	03189010	PVC CAP FOR LOCK	1
29	03062500	CLAMP FOR U BRACKET ( ZINC PLATED )	2	61	15142290	SIDE REFLEX REFLECTOR (AMBER)	2
30	90106002	HEX SCR M6 x 25	2				
31	03198880	WASHER FOR U BRACKET CLAMP	2				
32	03168590	U BRACKET CLAMP NUT	2				



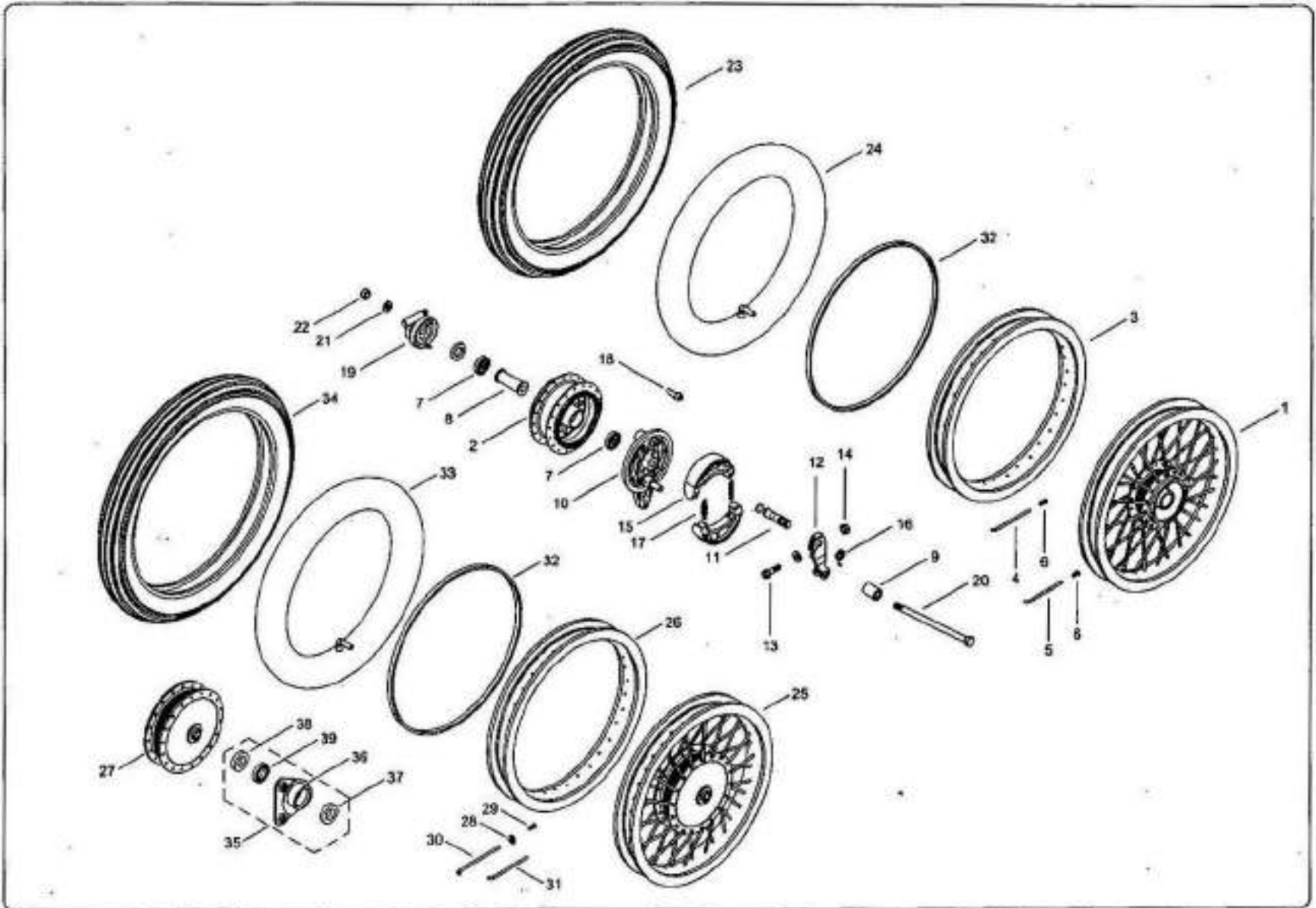


## HANDLE BAR AND CONTROL CABLES

KINETIC - TFR (USA)

SR. NO.	PART NO.	PART DESCRIPTION	QTY	SR. NO.	PART NO.	PART DESCRIPTION	QTY
1	05078040	HANDLE BAR	1	33	15034380	DECOMPRESSION LEVER	1
2	03082120	HANDLE BAR SPACER (CHROME PLATED)	2	34	04084040	SPEEDOMETER CABLE ASSEMBLY	1
3	03082160	HANDLE BAR CLAMP (CHROME PLATED)	2	35	04084020	INNER CABLE SPEEDOMETER	1
4	93706601	PUNCHED WASHER A6.6	4	36	03103770	STOP LIGHT SWITCH RH	1
5	93906002	SPRING WASHER B6	4				
6	04169040	HEX NUT FOR HANDLE BAR	4				
7	33279120	CONTROL SLEEVE LH	1				
8	03103760	COMBINATION SWITCH ASSEMBLY	1				
9	90805002	CRS RCS PAN HD SCR M5 x 20	2				
10	15034350	CONTROL LEVER LH	1				
11	03159880	SLTD PAN HD SCR FOR DC LEVER	1				
12	15065640	CABLE ADJUSTER	1				
13	15210070	RING NUT FOR CABLE ADJUSTER	1				
14	EX152180	CAP FOR BRAKE CONTROL LEVER	1				
15	15143420	REAR BRAKE CABLE ASSEMBLY	1				
16	15143300	INNER CABLE FOR REAR BRAKE	1				
17	15143390	DECOMPRESSION CABLE ASSEMBLY	1				
18	19075170	REAR VIEW MIRROR WITH NUTS (RH THREAD)	2				
19	15082320	GRIP LH FOR HANDLE BAR	1				
20	15079710	CONTROL SLEEVE RH	1				
21	90706002	SLTD PAN HD SCR M5 x 30	1				
22	90305001	HEX SOC HD CAP SCR M5 x 30	2				
23	15034360	CONTROL LEVER RH	1				
24	15065640	CABLE ADJUSTER	1				
25	15210070	RING NUT FOR CABLE ADJUSTER	1				
26	EX152180	CAP FOR BRAKE CONTROL LEVER	1				
27	15143410	FRONT BRAKE CABLE ASSEMBLY	1				
28	15143280	INNER CABLE FOR FRONT BRAKE	1				
29	15143400	ACCELERATOR CABLE ASSEMBLY	1				
30	15082310	ACCELERATOR GRIP WITH GUIDE TUBE	1				
31	03103780	SUPPLIMENTAL STOP SWITCH	1				
32	03103760	STOP LIGHT SWITCH LH	1				

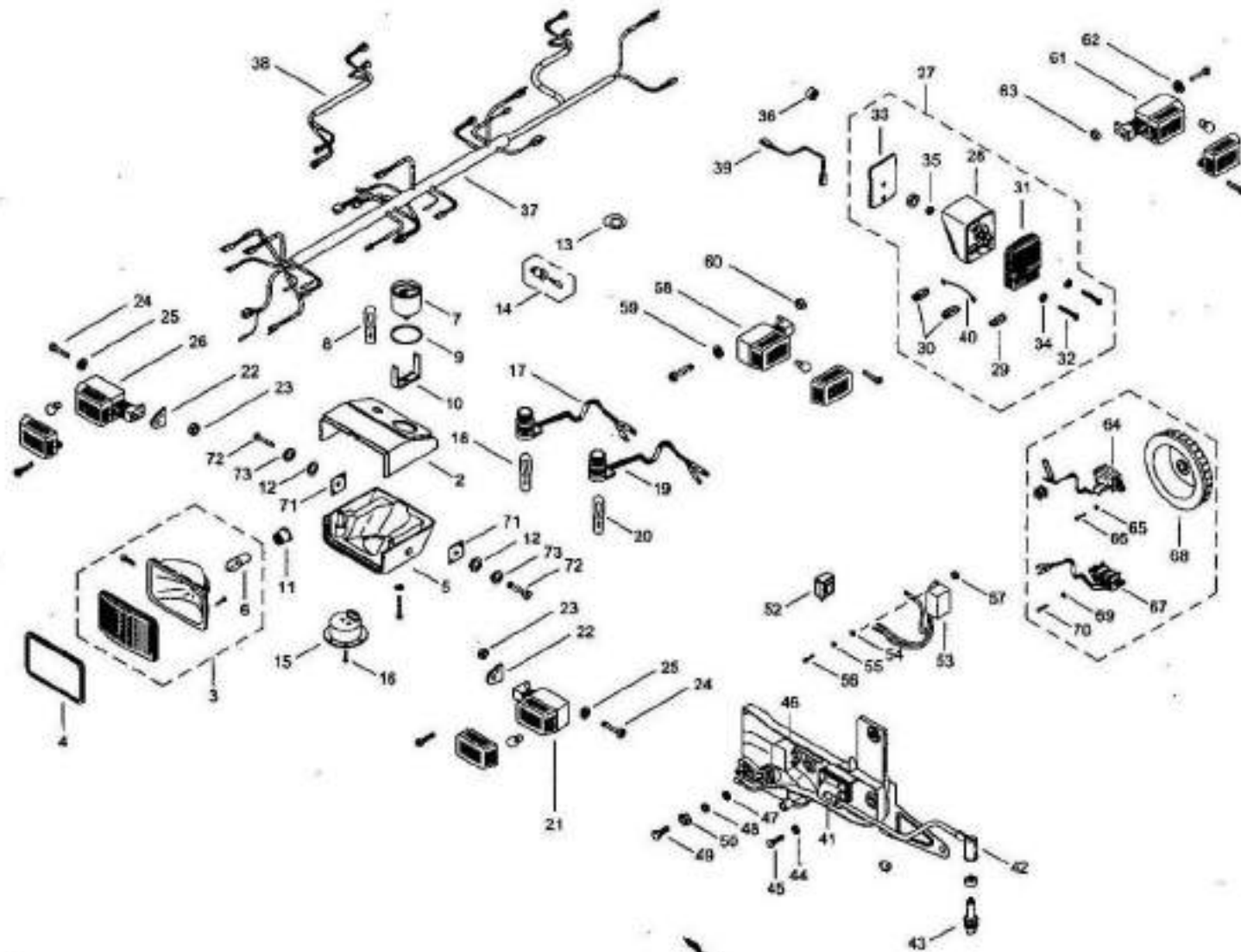




## FRONT WHEEL ASSEMBLY

KINETIC - TFR (USA)

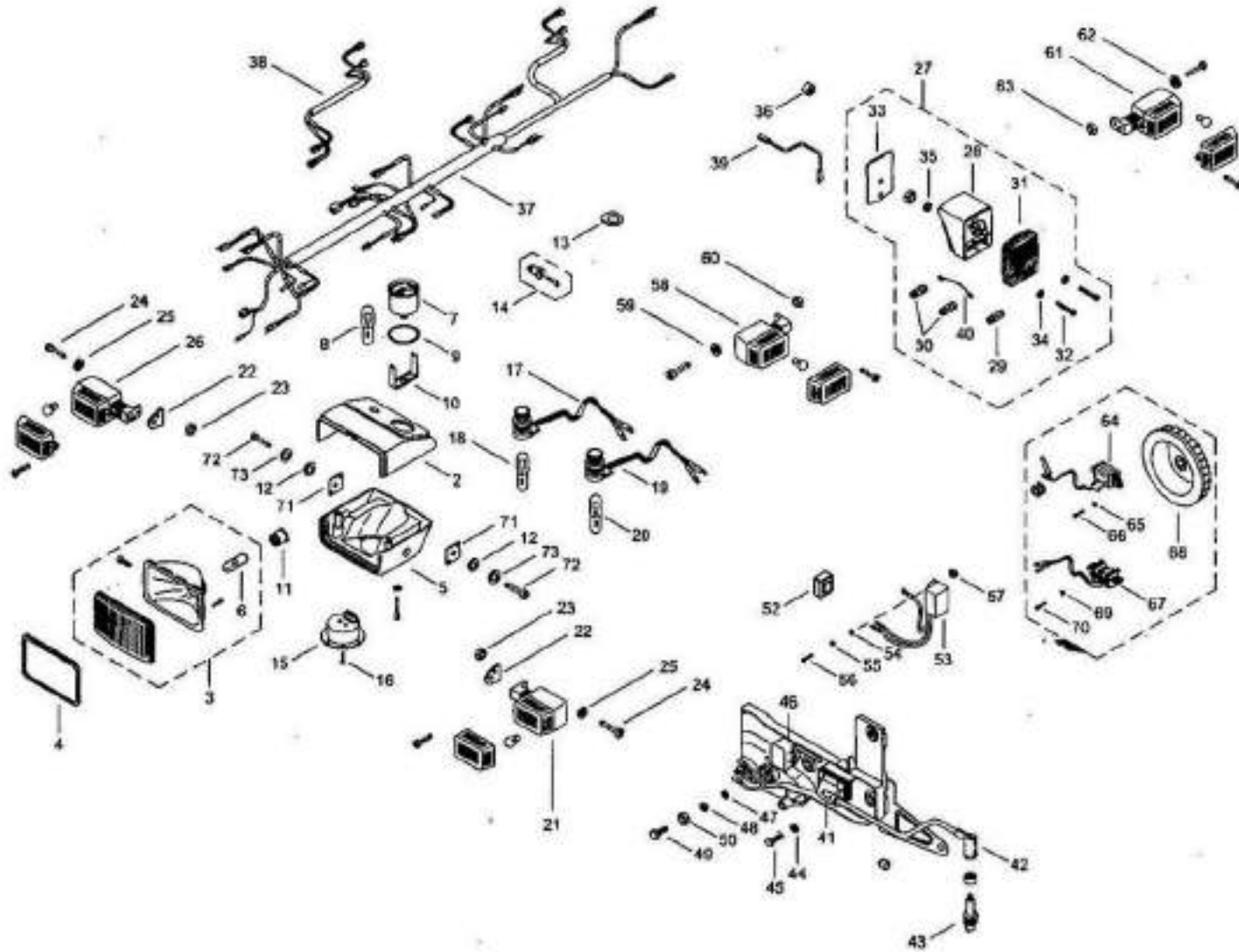
SR. NO.	PART NO.	PART DESCRIPTION	QTY	SR. NO.	PART NO.	PART DESCRIPTION	QTY
1	20117710	FRONT WHEEL ASSEMBLY 112 DIA	1	33	18124050	TUBE (TYRE INNER) - BUTYLE	1
2	20113970	FRONT BRAKE DRUM (112 DIA)	1	34	03123260	TYRE 2.50 - 16 DOT MARK	1
3	03117020	WHEEL RIM	1	35	03175050	BEARING HOUSING ASSEMBLY	1
4	03120160	INNER SPOKES	8	36	03175060	BEARING HOUSING SUB ASSEMBLY	1
5	03120170	OUTER SPOKES	18	37	97019401	GREASE SEAL 19.4 x 35 x 4	1
6	03121050	NIPPLE	38	38	97023901	GREASE SEAL	1
7	96612008	D.G. BALL BEARING 12 x 32 x 10	2	39	96615008	D.G. BALL BEARING 35 x 15 x 11 (6202 - 2RS1 - C3)	1
8	18185380	SPACER ASSEMBLY (FB DRUM)	1				
9	18185230	SPACER (FRONT BRAKE PLATE)	1				
10	18126280	FB PLATE	1				
11	18023080	SPINDLE FOR BRAKE	1				
12	18332080	FRONT BRAKE LEVER	1				
13	90106012	HEX SCR M6 x 30	1				
14	92606003	HEX NUT M6	1				
15	04128330	REAR BRAKE SHOE ASSEMBLY	2				
16	18192220	TORSION SPRING (FB LEVER)	1				
17	04190070	TENSION SPRING	2				
18	15108660	PLUG FOR OBSERVATION HOLE	2				
19	18125200	SPEEDO DRIVE UNIT	1				
20	18119120	FRONT AXLE	1				
21	93912001	SPRING WASHER B12	1				
22	92612002	HEX NUT M12	1				
23	03123260	TYRE 2.50 - 16 DOT MARK	1				
24	18124050	TUBE (TYRE INNER) - BUTYLE	1				
25	03117500	REAR RIM ASSEMBLY OD GUIDED	1				
26	03117020	REAR RIM	1				
27	03118310	R.B. DRUM ASSEMBLY	1				
28	93704501	WASHER B4.5	72				
29	22121130	NIPPLE	36				
30	13120330	INNER SPOKES (REAR)	18				
31	13120340	OUTER SPOKES 11 SWG	18				
32	15122060	TAPE FOR RIM	1				



## ELECTRICAL

KINETIC - TFR (USA)

SR. NO.	PART NO.	PART DESCRIPTION	QTY	SR. NO.	PART NO.	PART DESCRIPTION	QTY
1	03211200	HEAD LAMP ASSEMBLY WITH BULB	1	29	03112440	BULB 10/5W 12V (K & S)	1
1	03211207	HEAD LAMP ASSEMBLY W/O BULB	1	30	16112320	STOP LIGHT BULB - 12V 10W (CEV)	1
2	15110930	HEAD LAMP TOP HALF	1	31	16142210	TAIL LAMP LENS "CEV"	1
3	15142310	HEAD LAMP OPT UNIT WITH BULB	1	31	03142440	TAIL LAMP LENS "K&S"	1
4	16108530	GASKET	1	32	16065290	SCREW FOR TAIL LAMP LENS "CEV"	2
5	05110190	H.L. BOTTOM HALF BLACK	1	32	03359510	SCREW FOR TAIL LAMP LENS "K&S"	2
6	15112340	HD LAMP BULB 12V 25/25 W.	1	33	16108510	PACKING FOR TAIL LAMP	1
7	03091160	SPEEDOMETER ASSEMBLY M.P.H.	1	34	93706601	PUNCHED WASHER A6.6	2
8	15112350	MINIATURE BULB M 12/2	1	35	93908001	SPRING WASHER A6	2
9	03108030	PACKING FOR SPEEDOMETER	1	36	04106100	GROMMET TAIL LAMP WIRE	1
10	13163080	SPEEDOMETER BRACKET	1	37	03102690	WIRING HARNESS	1
11	15114270	H.L. BULB HOLDER	1	38	15101510	CABLE FOR SIDE INDICATOR & FLASHER	1
12	93706601	SPRING WASHER	4	39	03101740	TAIL LAMP CABLE ASSEMBLY	1
13	15147240	LABEL FOR IGNITION SWITCH	1	40	16101360	EARTH CABLE FOR TAIL LAMP	1
14	03403700	IGNITION LOCK WITH KEYS	1	41	03031650	H.T. COIL	1
15	04113010	HORN ASSEMBLY	1	42	04189030	CAP FOR H.T. COIL	1
16	91506001	TAPPING SCREW A86 x 13	3	43	16036100	SPARK PLUG SOCKET WITH SUPPRESSOR	1
17	15133437	TURN INDICATOR LAMP ASSEMBLY	1	44	93705501	PUNCHED WASHER A5.5	1
18	15112350	MINIATURE BULB M 12/2	1	45	90105001	HEX SCREW M5 x 12 P4.8 (Zn)	1
19	15133447	'HI' BEAM INDICATOR LAMP ASSEMBLY	1	46	03197390	C.D.I. UNIT	1
20	15112350	MINIATURE BULB M 12/2	1	47	93705501	PUNCHED WASHER A5.5	1
21	15133510	SIDE INDICATOR LAMP ASSEMBLY L.H.	1	48	93905001	SPRING WASHER B5 IS.3063	1
22	15204310	LOCK PLATE FOR SIDE INDICATOR	2	49	90105004	HEX SCREW M5 x 14 P4.6 (Zn)	1
23	92712001	HEX LOCK NUT M12 x 1.25	2	50	92605001	HEX NUT M5	1
24	90106007	HEX SCREW M6 x 14	2	51	03062290	HOLDER FOR FLASHER UNIT	2
25	15213220	WASHER (6.5 x 18 x 2)	3	52	03197380	ELECTRONIC FLASHER UNIT	2
26	15133520	SIDE INDICATOR LAMP ASSEMBLY R.H.	1	53	03197400	VOLTAGE REGULATOR (13.5V)	1
27	16111210	TAIL LAMP WITH RED REFEL. (CEV)	1	54	93706601	PUNCHED WASHER A6.8	1
27	03111490	TAIL LAMP WITH RED REFEL. (K&S)	1	55	93906001	SPRING WASHER A6	1
28	16111250	TAIL LAMP HOUSING "CEV"	1	56	90106009	SCREW M5 x 16	1
28	03111510	TAIL LAMP HOUSING "K&S"	1	57	92606001	HEX NUT M6	1
29	16112310	TAIL LAMP BULB - 12V 5W (CEV)	1	58	15133510	SIDE INDICATOR LAMP ASSEMBLY L.H.	1



## ELECTRICAL

KINETIC - TFR (USA)

SR. NO.	PART NO.	PART DESCRIPTION	QTY	SR. NO.	PART NO.	PART DESCRIPTION	QTY
59	93912001	SPRING WASHER B12	1				
60	92712001	HEX LOCK NUT M12	1				
61	15133520	SIDE INDICATOR LAMP ASSEMBLY R.H.	1				
62	93912001	SPRING WASHER B12	1				
63	92712001	HEX LOCK NUT M12	1				
64	03021350	LIGHT FEEDER COIL ASSEMBLY	1				
65	93904001	SPRING WASHER B4	2				
66	90404001	SCREW M4 x 18	2				
67	03021340	H.T. FEEDER COIL (ELECTRONIC IGNITION)	1				
68	13022430	MAGNETO ROTOR	1				
69	93904001	SPRING WASHER B4	2				
70	90404009	CH HD SCR M4 x 14	2				
71	15184020	FLANGE FOR SIDE INDICATOR MOUNTING	2				
72	15066620	SCREW	4				
73	94306001	SPRING WASHER	4				